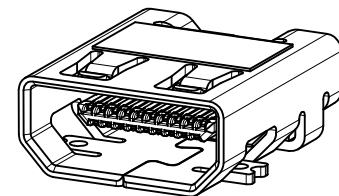
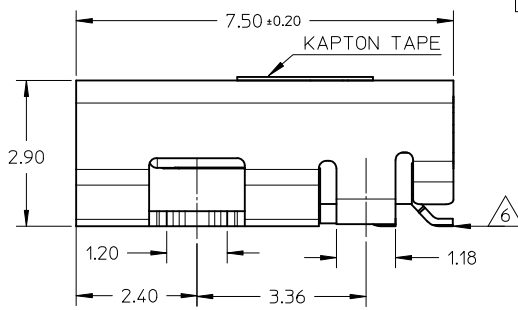
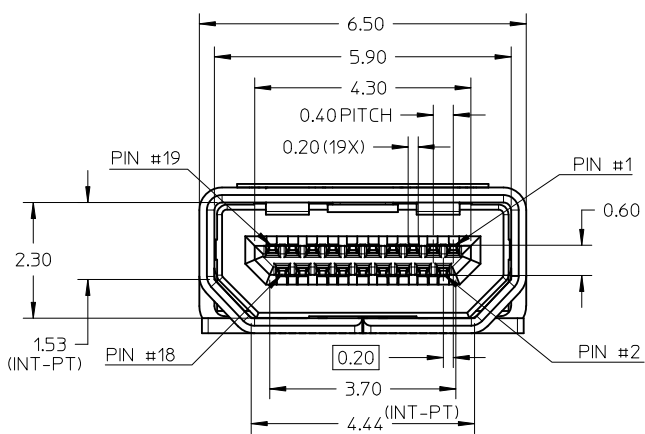
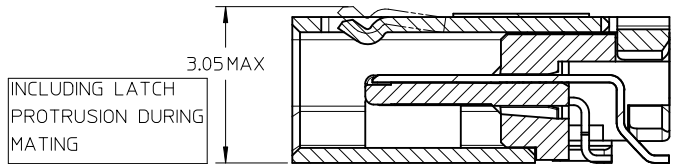
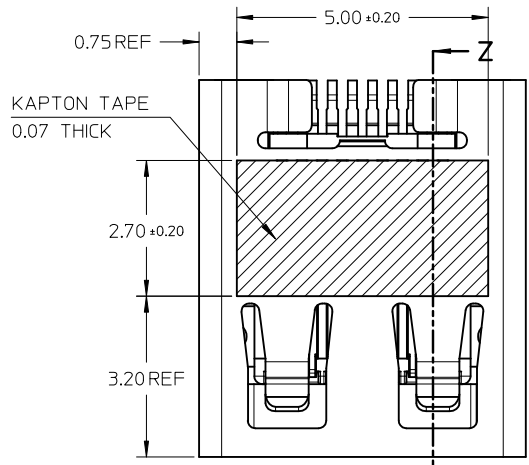
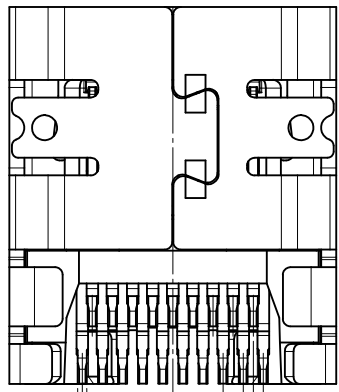


|        |  |             |
|--------|--|-------------|
| D      | PG4/5,modify keepout zone.pg1,2,3/5 add blackhsg p/n | 28.Nov.2011 |
| REV NO | DESCRIPTION  | DATE        |



MICRO HDMI-SMT TYPE MOUNTING  
ISOMETRIC VIEW



SECTION Z-Z

SELECTIVE GOLD FLASH  
ON SOLDERING FACE ONLY

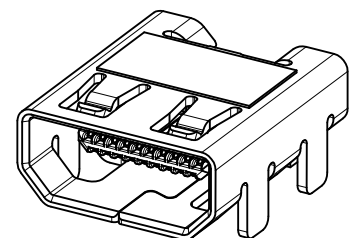
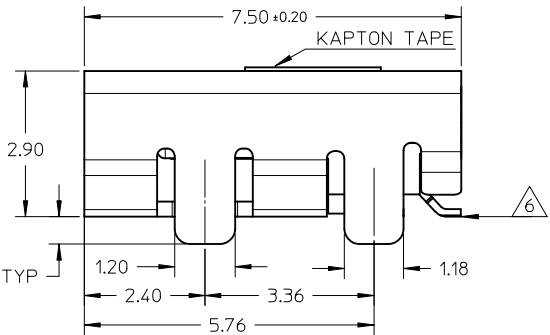
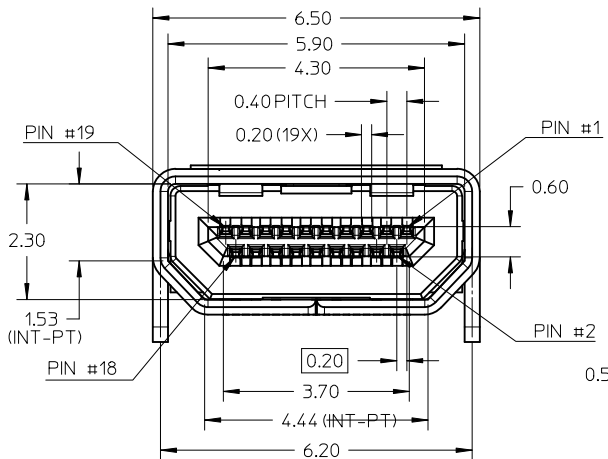
- NOTES:
- MATERIALS:  
HOUSING: LCP, 30% GLASS FILLED, UL94V-0  
TERMINALS: COPPER ALLOY  
SHIELD: STAINLESS STEEL
  - FINISHES:  
TERMINALS: GOLD ON CONTACT AREA (Refer Table),  
0.05UM MIN GOLD FLASH ON SOLDER TAILS,  
AND 2.0UM MIN NICKEL UNDERPLATE OVERALL  
SHIELD: MATTE TIN (Refer Table) OVER 1.27UM MIN NICKEL
  - PRODUCT SPECIFICATION: PS-46765-001
  - PACKAGING SPECIFICATION: PACKED IN TAPE & REEL
  - SEE SHEET 4 OF 5 FOR RECOMMENDED PCB LAYOUT
  - TERMINAL SOLDER-TAIL COPLANARITY 0.08 MAX

|                                |  |  |
|--------------------------------|--|--|
| DESCRIPTION                    | Contact: 0.76µM Gold Min<br>Shield: 3.8µM Tin Min<br>PART NUMBER | Contact: 0.38µM Gold Min<br>Shield: 2.0µM Tin Min<br>PART NUMBER |
| SMT TYPE+KAPTON TAPE           | 46765-0001   | 46765-0301   |
| SMT TYPE+BLACK HSG+KAPTON TAPE | --   | 46765-0302   |
| SMT TYPE                       | 46765-0011   | 46765-0311   |
| SMT TYPE+BLACK HSG             | --   | 46765-0312   |

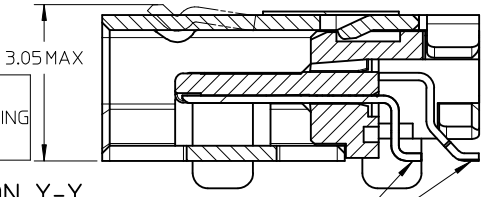
|                |                   |            |
|----------------|-------------------|------------|
| RELEASED       | EC NO: S2012-0444 | 2011/10/24 |
| DRWN: CWANG25  | 2011/12/02        |            |
| CHKD: JKOH     | 2011/12/02        |            |
| APPR: NAGESHKN | 2011/12/02        |            |
| REV            | DESCRIPTION       |            |

|                 |  |
|-----------------|--|
| QUALITY SYMBOLS | GENERAL TOLERANCES (UNLESS SPECIFIED)                |
| ▽=0             | mm INCH  |
| ∇=0             | 4 PLACES ± --- ± ---                                 |
|                 | 3 PLACES ± --- ± ---                                 |
|                 | 2 PLACES ± 0.1 ± ---                                 |
|                 | 1 PLACE ± --- ± ---                                  |
|                 | ANGULAR ± 2 °  |
|                 | DRAFT WHERE APPLICABLE MUST REMAIN WITHIN DIMENSIONS |

|                 |   |  |                        |
|-----------------|---|--|------------------------|
| DIMENSION STYLE | SCALE   | DESIGN UNITS   | THIRD ANGLE PROJECTION |
| MM ONLY         | NTS   | METRIC   |                        |
| DRAWN BY        | DATE  | TITLE  |                        |
| MKAMARAU        | 2008/10/14  | MICRO HDMI, TYPE-D<br>0.4MM PITCH, 19CKT<br>RECEPTACLE CONNECTOR |                        |
| CHECKED BY      | DATE  |  |                        |
| MKAMARAU        | 2008/10/14  |  |                        |
| APPROVED BY     | DATE  |  |                        |
| NAGESHKN        | 2010/11/19  |  |                        |
| MATERIAL NO.    | DOCUMENT NO.  |  |                        |
| SEE TABLE       |   | MOLEX INCORPORATED   |                        |
|                 |   | SD-46765-001   |                        |
| SIZE            | THIS DRAWING CONTAINS INFORMATION THAT IS PROPRIETARY TO MOLEX INCORPORATED AND SHOULD NOT BE USED WITHOUT WRITTEN PERMISSION |  | SHEET NO.              |
| A3              |   |  | 1 OF 5                 |



MICRO HDMI-THRU HOLE TYPE MOUNTING ISOMETRIC VIEW

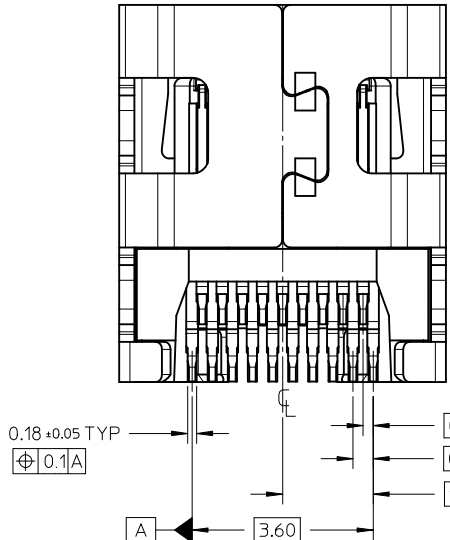
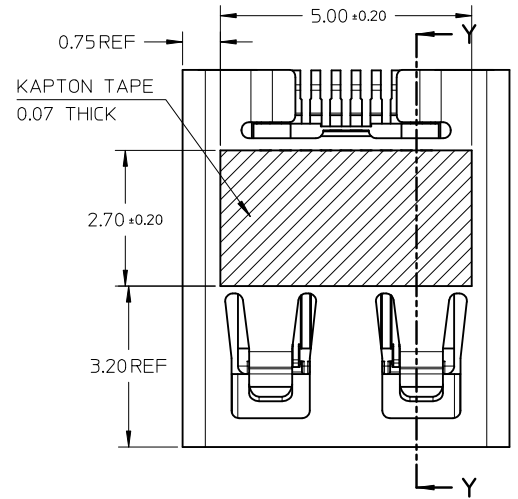


SECTION Y-Y

SELECTIVE GOLD FLASH ON SOLDERING FACE ONLY

NOTES:

1. MATERIALS:  
HOUSING: LCP, 30% GLASS FILLED, UL94V-0  
TERMINALS: COPPER ALLOY  
SHIELD: STAINLESS STEEL
2. FINISHES:  
TERMINALS: GOLD ON CONTACT AREA (Refer Table),  
0.05UM MIN GOLD FLASH ON SOLDER TAILS,  
AND 2.0UM MIN NICKEL UNDERPLATE OVERALL  
SHIELD: MATTE TIN (Refer Table) OVER 1.27UM MIN NICKEL
3. PRODUCT SPECIFICATION: PS-46765-001
4. PACKAGING SPECIFICATION: PACKED IN TAPE & REEL
5. SEE SHEET 4 OF 5 FOR RECOMMENDED PCB LAYOUT
6. TERMINAL SOLDER-TAIL COPLANARITY 0.08 MAX



| DESCRIPTION                          | Contact: 0.76µM Gold Min<br>Shield: 3.8µM Tin Min<br>PART NUMBER | Contact: 0.38µM Gold Min<br>Shield: 2.0µM Tin Min<br>PART NUMBER |
|--------------------------------------|--|--|
| THRU HOLE TYPE+KAPTON TAPE           | 46765-1001   | 46765-1301   |
| THRU HOLE TYPE+BLACK HSG+KAPTON TAPE | --   | 46765-1302   |
| THRU HOLE TYPE                       | 46765-1011   | 46765-1311   |
| THRU HOLE TYPE+BLACK HSG             | --   | 46765-1312   |

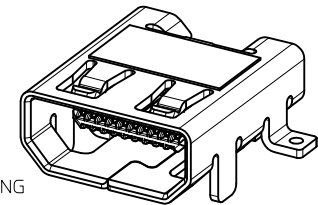
RELEASED  
EC NO: S2012-0444  
DRWN: CWANG25 2011/10/24  
CHKDK: JKOH 2011/12/02  
APPR: NAGESHK 2011/12/02

QUALITY SYMBOLS  
▽=0  
◻=0

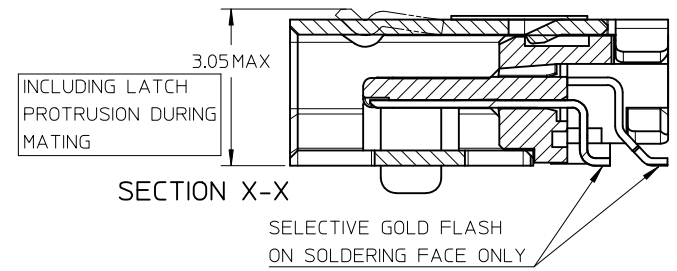
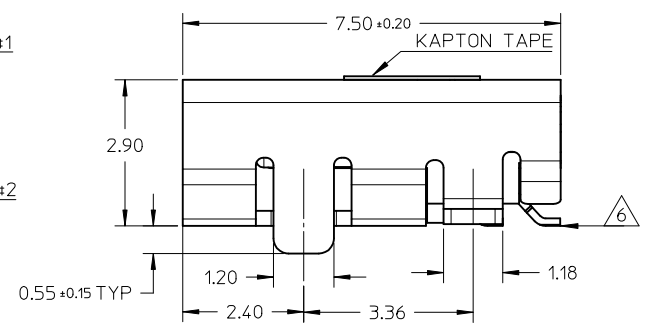
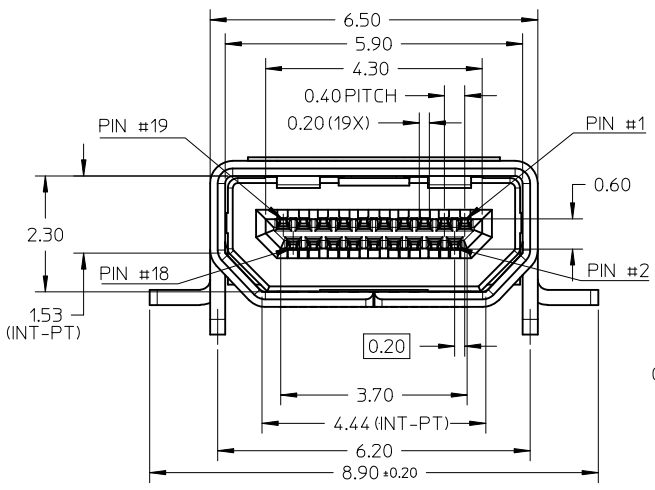
|  | GENERAL TOLERANCES (UNLESS SPECIFIED) |       |
|--|---------------------------------------|-------|
|  | mm                                    | INCH  |
| 4 PLACES   | ± ---                                 | ± --- |
| 3 PLACES   | ± ---                                 | ± --- |
| 2 PLACES   | ± 0.1                                 | ± --- |
| 1 PLACE  | ± ---                                 | ± --- |
| ANGULAR ± 2 °  |                                       |       |
| DRAFT WHERE APPLICABLE MUST REMAIN WITHIN DIMENSIONS |                                       |       |

| DIMENSION STYLE |              | SCALE                | DESIGN UNITS | THIRD ANGLE PROJECTION |
|-----------------|--------------|----------------------|--------------|------------------------|
| MM ONLY         |              | NTS                  | METRIC       | ⊙ □                    |
| DRAWN BY        | DATE         | TITLE                |              |                        |
| MKAMARAU        | 2008/10/14   | MICRO HDMI, TYPE-D   |              |                        |
| CHECKED BY      | DATE         | 0.4MM PITCH, 19CKT   |              |                        |
| MKAMARAU        | 2008/10/14   | RECEPTACLE CONNECTOR |              |                        |
| APPROVED BY     | DATE         | MOLEX INCORPORATED   |              |                        |
| NAGESHK         | 2010/11/19   | SD-46765-001         |              |                        |
| MATERIAL NO.    | DOCUMENT NO. | SHEET NO.            |              |                        |
| SEE TABLE       | SD-46765-001 | 2 OF 5               |              |                        |

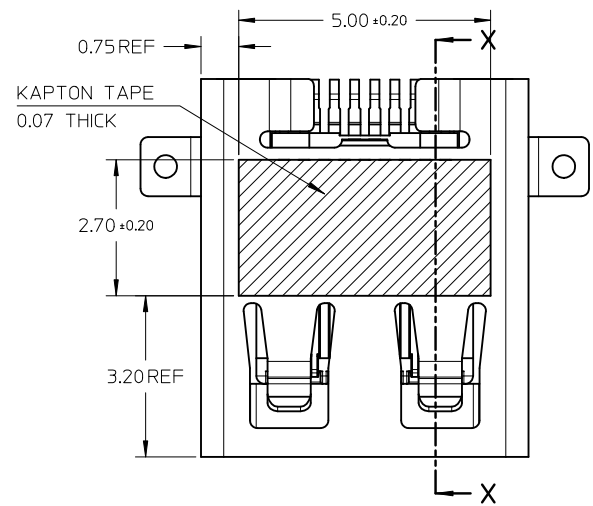
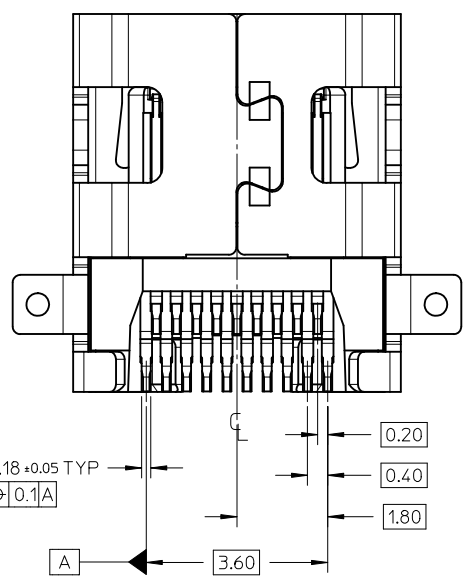
THIS DRAWING CONTAINS INFORMATION THAT IS PROPRIETARY TO MOLEX INCORPORATED AND SHOULD NOT BE USED WITHOUT WRITTEN PERMISSION



MICRO HDMI  
HYBRID TYPE MOUNTING



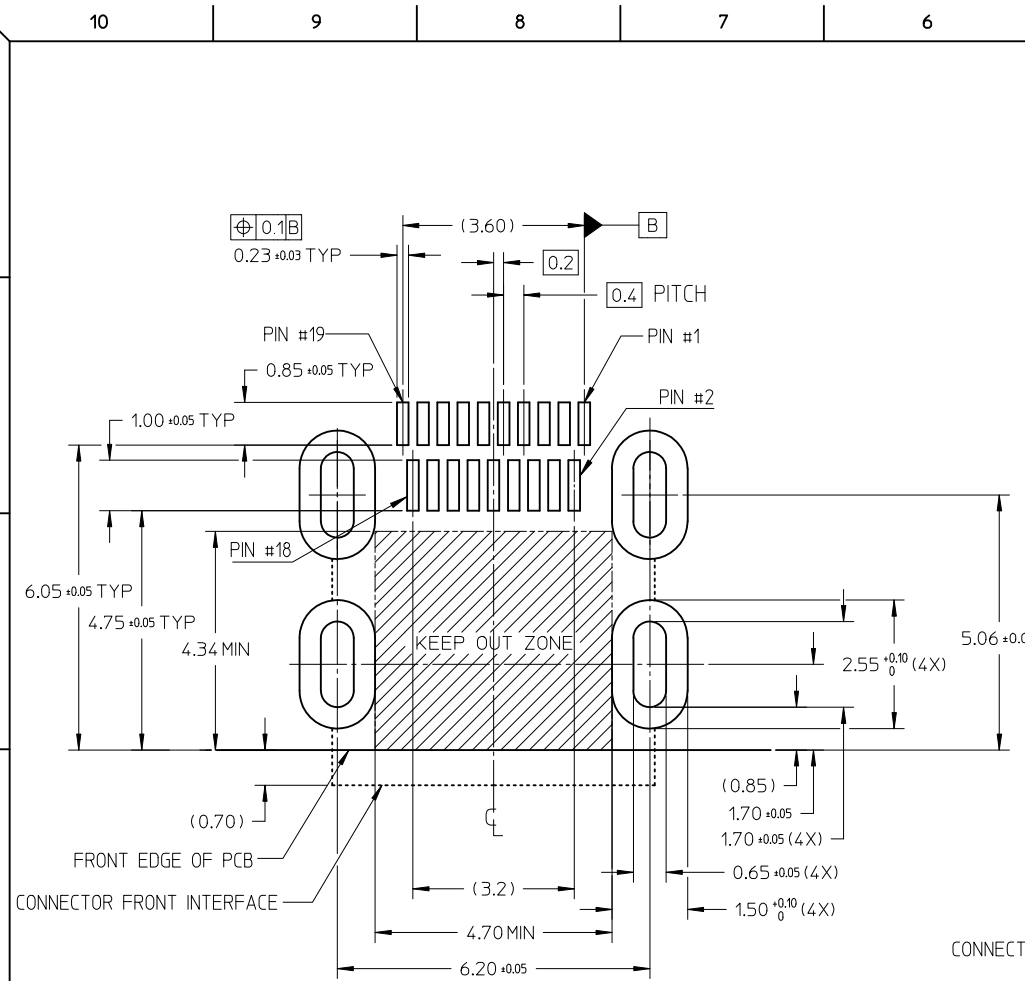
- NOTES:
- MATERIALS:  
HOUSING: LCP, 30% GLASS FILLED, UL94V-0  
TERMINALS: COPPER ALLOY  
SHIELD: STAINLESS STEEL
  - FINISHES:  
TERMINALS: GOLD ON CONTACT AREA (Refer Table),  
0.05UM MIN GOLD FLASH ON SOLDER TAILS,  
AND 2.0UM MIN NICKEL UNDERPLATE OVERALL  
SHIELD: MATTE TIN (Refer Table) OVER 1.27UM MIN NICKEL
  - PRODUCT SPECIFICATION: PS-46765-001
  - PACKAGING SPECIFICATION: PACKED IN TAPE & REEL
  - SEE SHEET 4 OF 5 FOR RECOMMENDED PCB LAYOUT
  - TERMINAL SOLDER-TAIL COPLANARITY 0.08 MAX



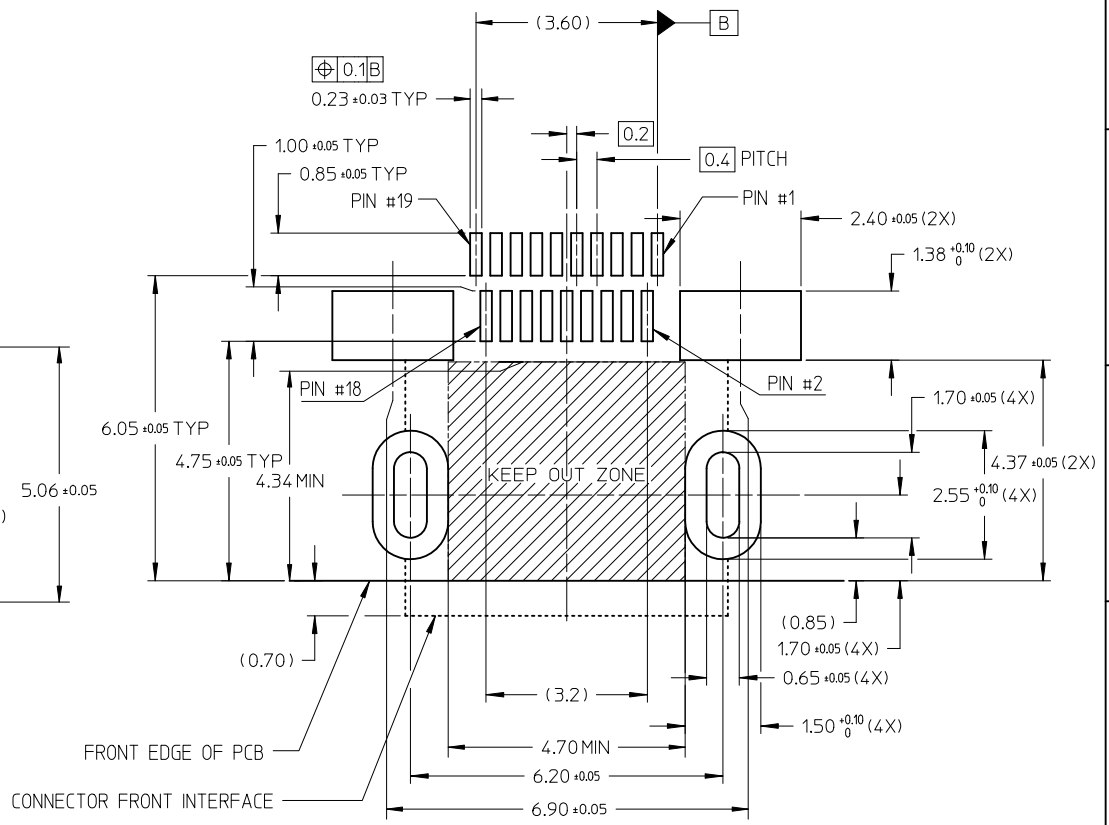
| DESCRIPTION                           | Contact: 0.764M Gold Min<br>Shield: 3.84M Tin Min<br>PART NUMBER | Contact: 0.384M Gold Min<br>Shield: 2.04M Tin Min<br>PART NUMBER |
|---------------------------------------|--|--|
| HYBRID TYPE+KAPTON TAPE               | 46765-2001   | 46765-2301   |
| HYBRID TYPE+BLACK HOUSING+KAPTON TAPE | 46765-2021   | 46765-2302   |
| HYBRID TYPE                           | 46765-2011   | 46765-2311   |
| HYBRID TYPE+BLACK HSG                 | --   | 46765-2312   |

|  |                 |   |                 |              |  |                        |
|--|-----------------|---|-----------------|--------------|--|------------------------|
| RELEASED<br>EC NO: S2012-0444<br>DRWN: CWANG25 2011/10/24<br>CHYKDKJKOH 2011/12/02<br>APPR: NAGESHKIN 2011/12/02 | QUALITY SYMBOLS | GENERAL TOLERANCES (UNLESS SPECIFIED)   | DIMENSION STYLE | SCALE        | DESIGN UNITS   | THIRD ANGLE PROJECTION |
|  | ▽=0<br>◻=0      | mm INCH<br>4 PLACES ± --- ± ---<br>3 PLACES ± --- ± ---<br>2 PLACES ± 0.1 ± ---<br>1 PLACE ± --- ± ---<br>ANGULAR ± 2 ° | MM ONLY         | NTS          | METRIC   |                        |
|  | DESCRIPTION     | DRAFT WHERE APPLICABLE MUST REMAIN WITHIN DIMENSIONS  | DRAWN BY DATE   | TITLE        | MICRO HDMI, TYPE-D<br>0.4MM PITCH, 19CKT<br>RECEPTACLE CONNECTOR |                        |
|  | REV             |   | CHECKED BY DATE |              | MOLEX INCORPORATED   |                        |
|  |                 | APPROVED BY DATE  |                 | DOCUMENT NO. | SD-46765-001   |                        |
|  |                 | MATERIAL NO.  | SIZE            | SHEET NO.    |  |                        |
|  |                 |   | A3              | 3 OF 5       |  |                        |





RECOMMENDED PCB LAYOUT  
COMPONENT SIDE OF BOARD  
SHEET 2 OF 5



RECOMMENDED PCB LAYOUT  
COMPONENT SIDE OF BOARD  
SHEET 3 OF 5

|   |   |                               |                                       |            |   |            |  |              |                        |  |  |
|---|---|-------------------------------|---------------------------------------|------------|---|------------|--|--------------|------------------------|--|--|
| RELEASED<br>EC NO: S2012-0444<br>DRWN: CWANG25<br>CHKD: KJKOH<br>APPR: NAGESHKN | DESCRIPTION<br>2011/10/24<br>2011/12/02<br>2011/12/02 | QUALITY SYMBOLS               | GENERAL TOLERANCES (UNLESS SPECIFIED) |            | DIMENSION STYLE   |            | SCALE  | DESIGN UNITS | THIRD ANGLE PROJECTION |  |  |
|   |   | $\nabla = 0$<br>$\square = 0$ | mm                                    | INCH       | MM ONLY   |            | NTS  | METRIC       |                        |  |  |
|   |   | 4 PLACES                      | ± ---                                 | ± ---      | DRAWN BY  | DATE       | TITLE  |              |                        |  |  |
|   |   | 3 PLACES                      | ± ---                                 | ± ---      | MKAMARAU  | 2008/10/14 | MICRO HDMI, TYPE-D<br>0.4MM PITCH, 19CKT<br>RECEPTACLE CONNECTOR<br>MOLEX INCORPORATED |              |                        |  |  |
| 2 PLACES  | ± 0.1   | ± ---                         | CHECKED BY                            | DATE       | DOCUMENT NO.  |            |  |              |                        |  |  |
| 1 PLACE   | ± ---   | ± ---                         | MKAMARAU                              | 2008/10/14 | MATERIAL NO.  |            | SD-46765-001   |              | 5 OF 5                 |  |  |
| ANGULAR ± 2 °   |   |                               | APPROVED BY                           |            | DATE  |            |  |              |                        |  |  |
|   |   |                               | NAGESHKN                              |            | 2010/11/19  |            |  |              |                        |  |  |
| DRAFT WHERE APPLICABLE MUST REMAIN WITHIN DIMENSIONS                            |   |                               | SIZE                                  |            | THIS DRAWING CONTAINS INFORMATION THAT IS PROPRIETARY TO MOLEX INCORPORATED AND SHOULD NOT BE USED WITHOUT WRITTEN PERMISSION |            |  |              |                        |  |  |
|   |   |                               | A3                                    |            |   |            |  |              |                        |  |  |

## Данный компонент на территории Российской Федерации

### Вы можете приобрести в компании MosChip.

Для оперативного оформления запроса Вам необходимо перейти по данной ссылке:

<http://moschip.ru/get-element>

Вы можете разместить у нас заказ для любого Вашего проекта, будь то серийное производство или разработка единичного прибора.

В нашем ассортименте представлены ведущие мировые производители активных и пассивных электронных компонентов.

Нашей специализацией является поставка электронной компонентной базы двойного назначения, продукции таких производителей как XILINX, Intel (ex.ALTERA), Vicor, Microchip, Texas Instruments, Analog Devices, Mini-Circuits, Amphenol, Glenair.

Сотрудничество с глобальными дистрибьюторами электронных компонентов, предоставляет возможность заказывать и получать с международных складов практически любой перечень компонентов в оптимальные для Вас сроки.

На всех этапах разработки и производства наши партнеры могут получить квалифицированную поддержку опытных инженеров.

Система менеджмента качества компании отвечает требованиям в соответствии с ГОСТ Р ИСО 9001, ГОСТ РВ 0015-002 и ЭС РД 009

### Офис по работе с юридическими лицами:

105318, г.Москва, ул.Щербаковская д.3, офис 1107, 1118, ДЦ «Щербаковский»

Телефон: +7 495 668-12-70 (многоканальный)

Факс: +7 495 668-12-70 (доб.304)

E-mail: [info@moschip.ru](mailto:info@moschip.ru)

Skype отдела продаж:

moschip.ru

moschip.ru\_4

moschip.ru\_6

moschip.ru\_9