

CPT CONNECTOR

Board-to-wire

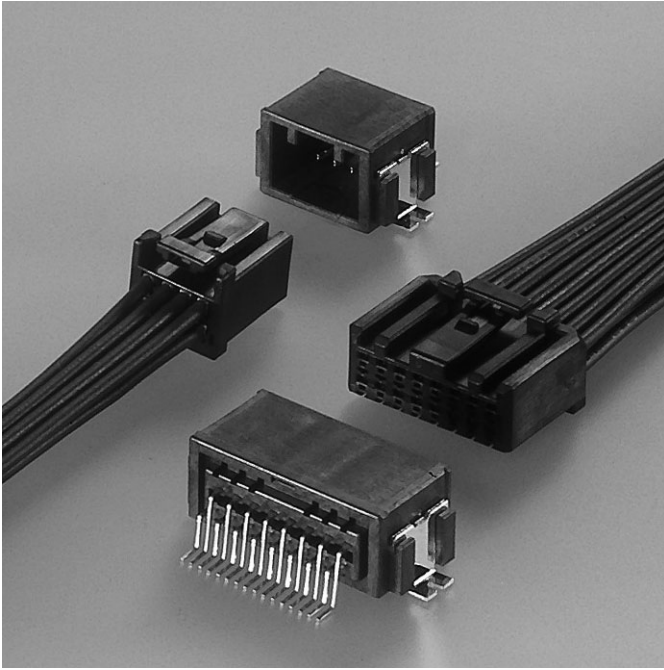
Features

● Compact design

2.0mm pitch is realized miniaturization and low profile as the connector for automobile.

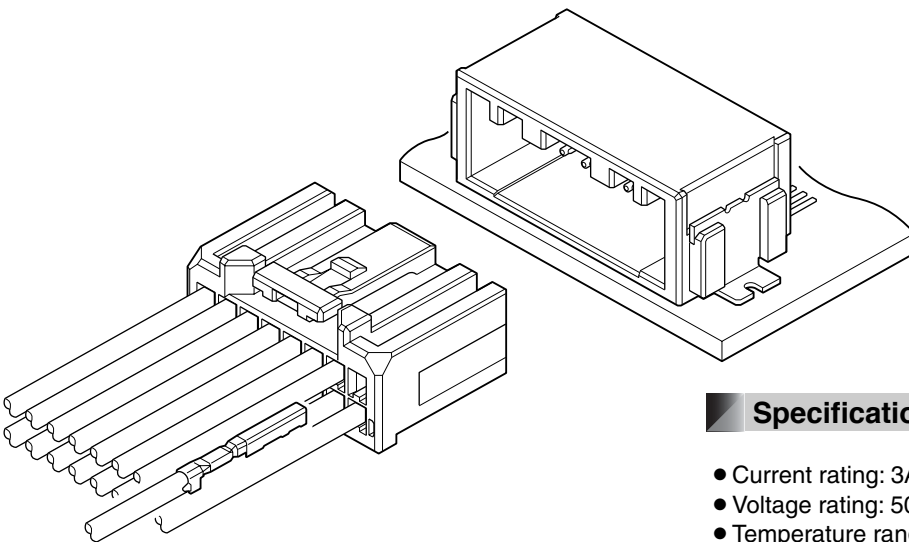
● Terminal construction

Female terminal is designed for simple box structure by having spring structure on male terminal.



Developed in pursuit of miniaturization and low profile as PC board connector for automobile.

This connector is surface mounting type connector having the spring structure on male terminal disproving the conventional concept.



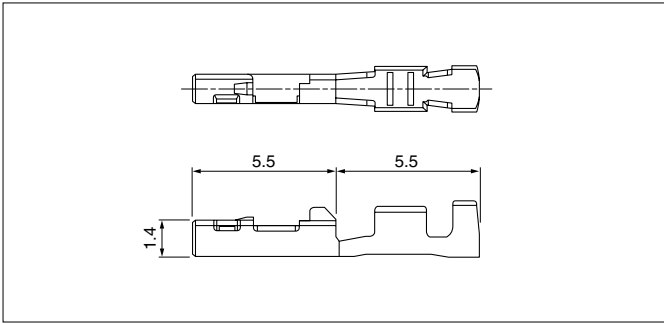
Specifications

- Current rating: 3A AC, DC (0.3mm², Single circuit)
- Voltage rating: 50V AC, DC
- Temperature range: -40°C to +100°C
(including temperature rise in applying electrical current)
- Contact resistance: Initial value/8mΩ max.
After environmental testing/16mΩ max.
- Insulation resistance: 100MΩ min.
- Withstanding voltage: 1,000V AC/minute
- Applicable wire: AES SX-f/ AVSS
0.3mm²

* Compliant with ELV/RoHS.

* Contact JST for details.

Female terminal



| Model No. | Applicable wire range | | Q'ty/reel |
|------------------------|------------------------------|----------------------|-----------|
| | Conductor (mm ²) | Insulation O.D. (mm) | |
| SCPT-A021GF-0.5 | 0.3 | 1.4 | 15,000 |

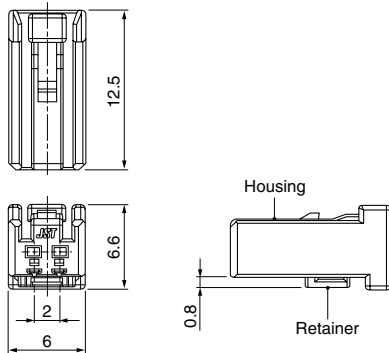
Material and Finish

Brass, nickel-undercoated, Contact area; gold-plated
Barrel area; tin-plated

Female connector

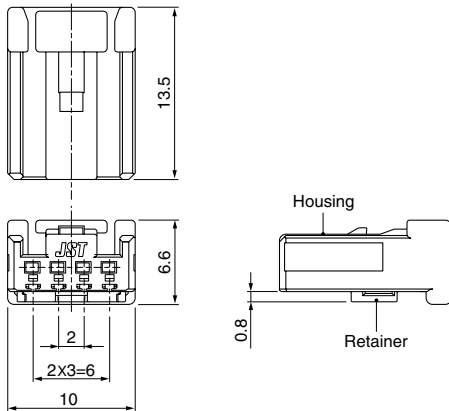
Single row

• 2 circuits

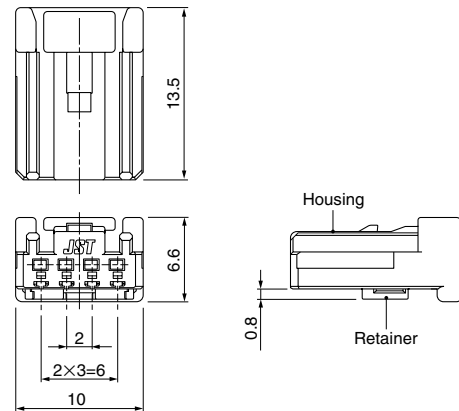


• 4 circuits

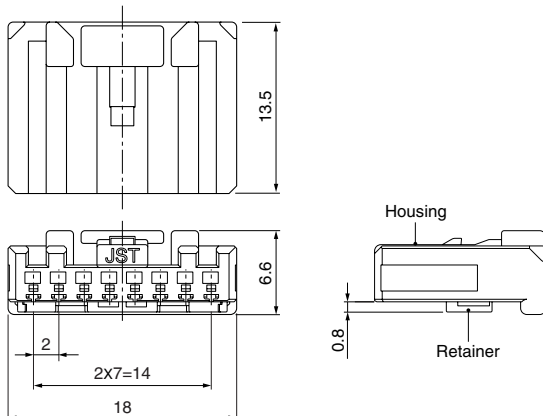
04CPT-B1-2A



04CPT-B1-2B



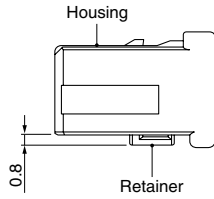
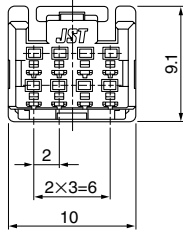
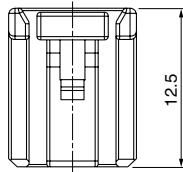
• 8 circuits



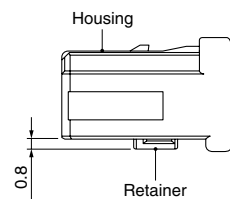
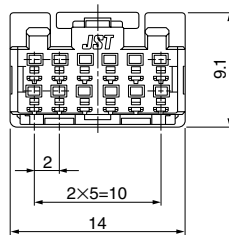
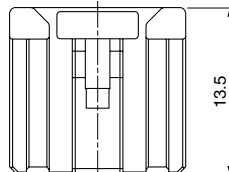
Female connector

Double row

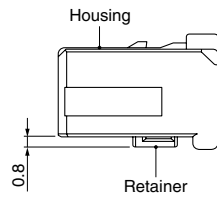
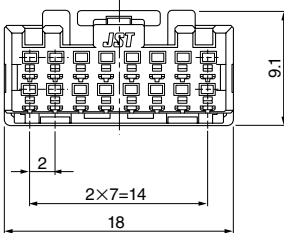
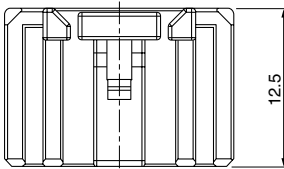
• 8 circuits



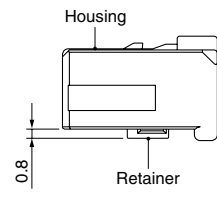
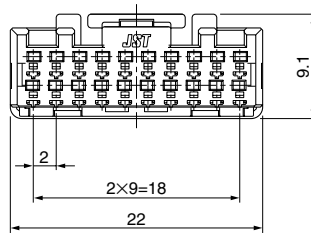
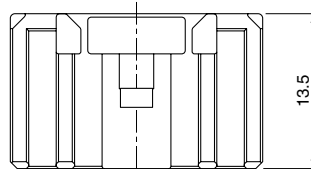
• 12 circuits



• 16 circuits



• 20 circuits



| Type | Circuits | Model No. | Q'ty/box |
|------------|----------|--------------------|----------|
| Single row | 2 | 02CPT-B-2A | 500 |
| | 4 | 04CPT-B1-2A | 600 |
| | | 04CPT-B1-2B | |
| Double row | 8 | 08CPT-B1-2A | 400 |
| | 8 | 08CPT-B-2A | 500 |
| | 12 | 12CPT-B-2A | 300 |
| | 16 | 16CPT-B-2A | 250 |
| | 20 | 20CPT-B-2A | 250 |

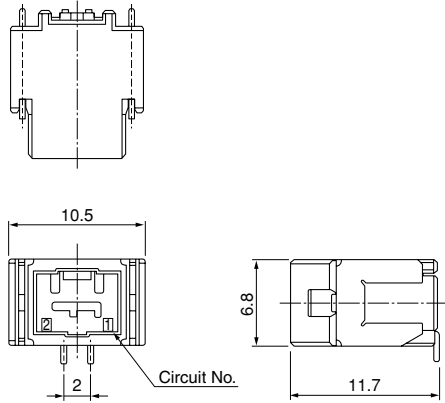
Material

Housing: Glass-filled PBT, black
Retainer: Glass-filled PBT, blue

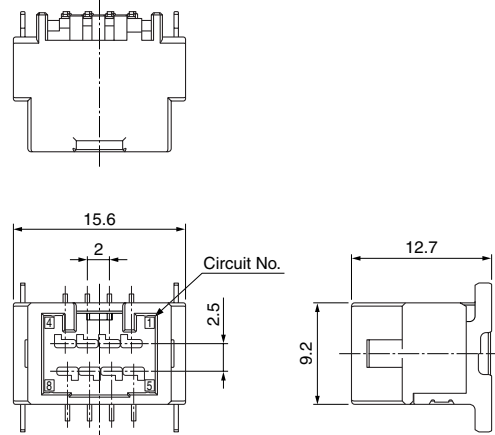
Male connector

Top entry type

Single row
● 2 circuits

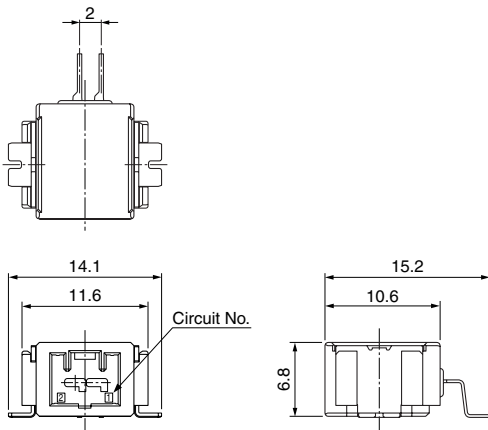


Double row
● 8 circuits



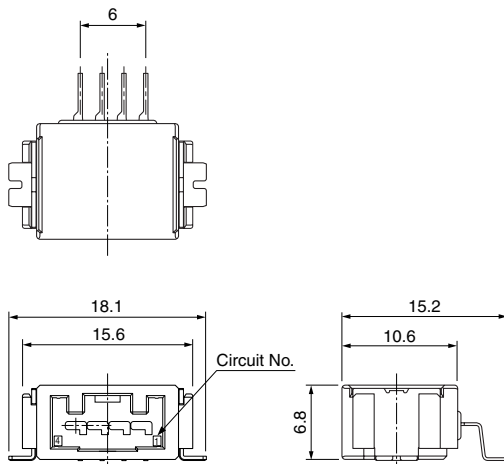
Side entry type

Single row
● 2 circuits

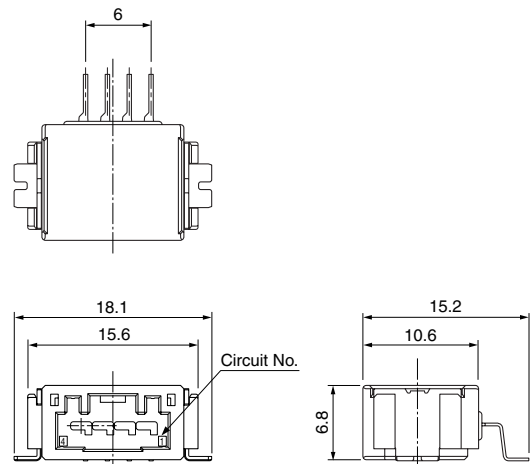


● 4 circuits

SM04B1-CPTK-1A-TB



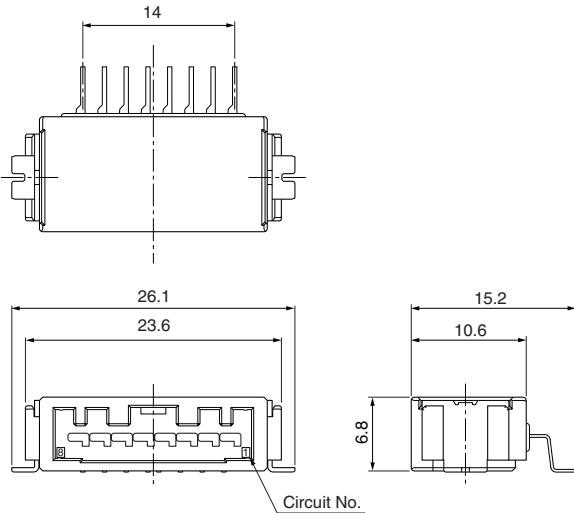
SM04B1-CPTK-1B-TB



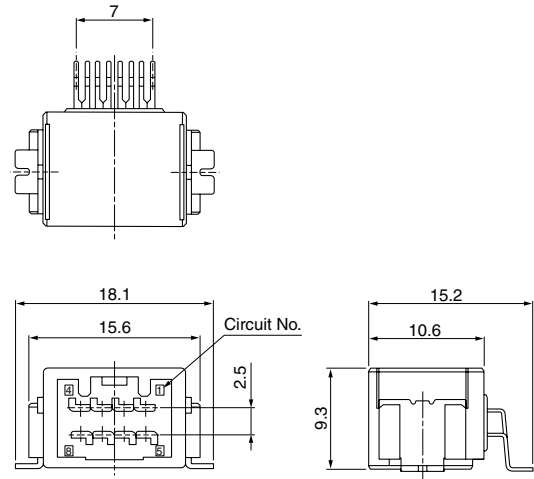
Male connector

Side entry type

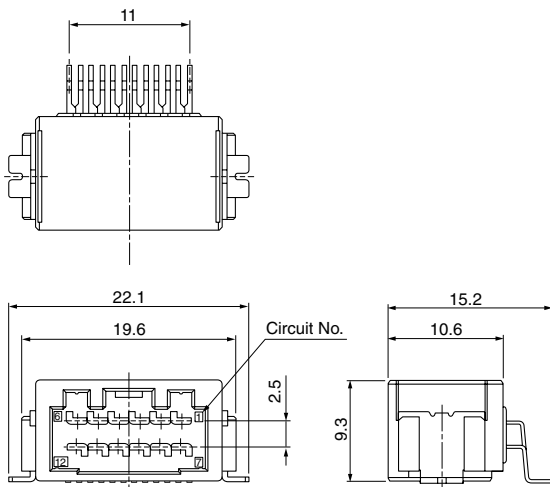
Single row ● 8 circuits



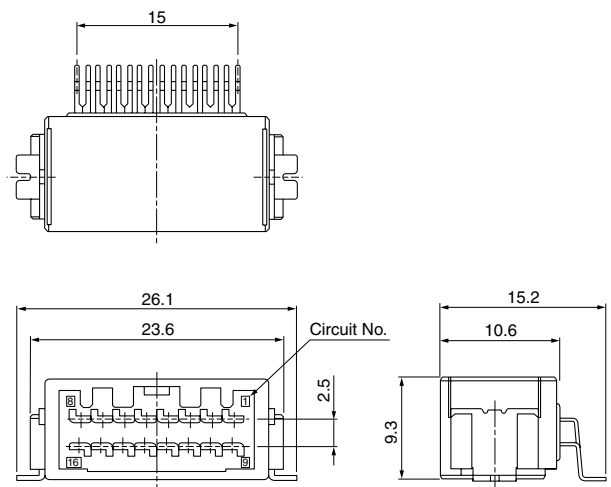
Double row ● 8 circuits



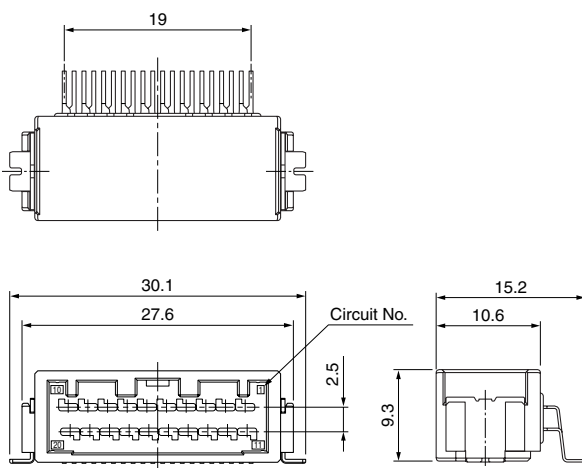
● 12 circuits



● 16 circuits



● 20 circuits



| Type | Circuits | Model No. | Q'ty/reel |
|-----------|-------------|--------------------------|-----------|
| Top type | 2 (Single) | BM02B-CPTK-1A-TB | 370 |
| | 8 (Double) | BM08B-CPTK-1A-TB | 240 |
| Side type | 2 (Single) | SM02B-CPTK-1A-TB | 500 |
| | 4 (Single) | SM04B1-CPTK-1A-TB | 500 |
| | | SM04B1-CPTK-1B-TB | |
| | 8 (Single) | SM08B1-CPTK-1A-TB | 500 |
| | 8 (Double) | SM08B-CPTK-1A-TB | 390 |
| | 12 (Double) | SM12B-CPTK-1A-TB | 390 |
| | 16 (Double) | SM16B-CPTK-1A-TB | 390 |
| | 20 (Double) | SM20B-CPTK-1A-TB | 390 |

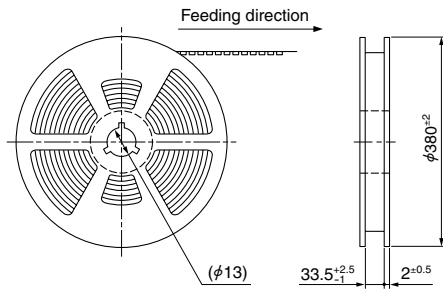
Material and Finish

Terminal: Copper alloy, nickel-undercoated,
Contact area: gold-plated
Solder tail: tin-plated (reflow treatment)
Housing: Glass-filled LCP, black
Peg: Brass, nickel-undercoated, tin-plated (reflow treatment)

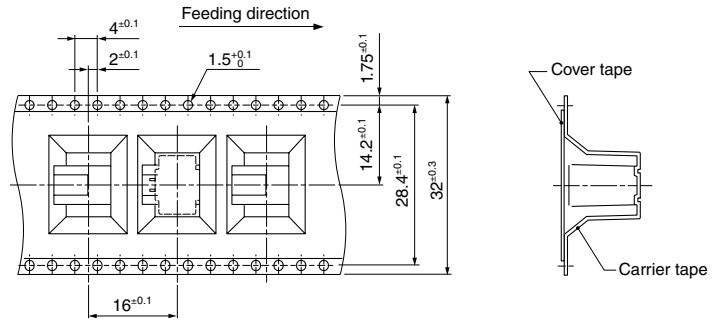
Taping Specifications

Top entry type

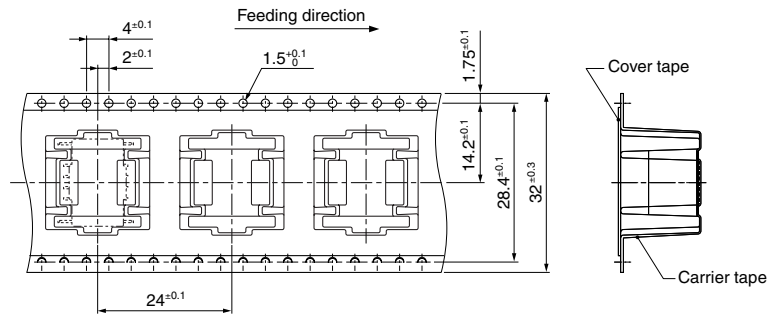
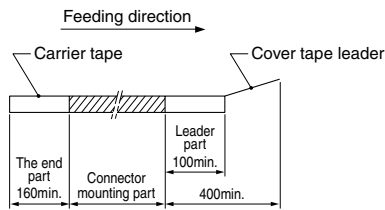
● 2, 8 circuits



● 2 circuits

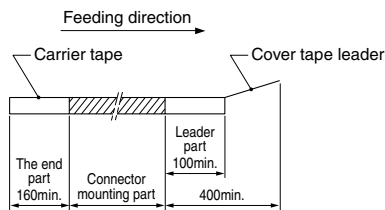
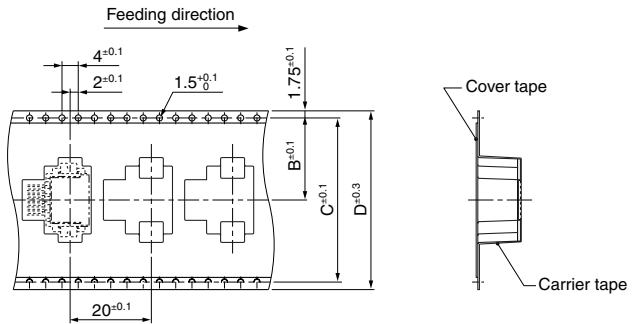
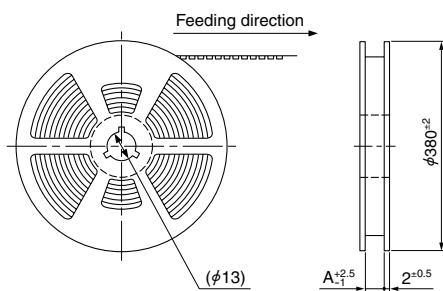


● 8 circuits



Side entry type

● 2, 4, 8, 12, 16, 20 circuits

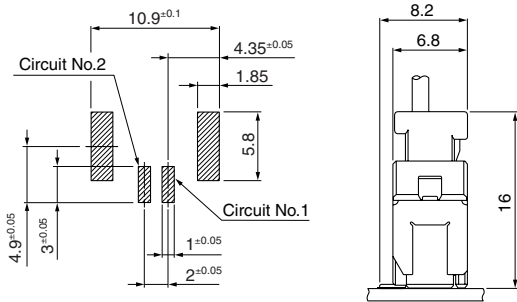


| Type | Circuits | A | B | C | D |
|--------|----------|------|------|------|----|
| Single | 2 | 33.5 | 14.2 | 28.4 | 32 |
| | 4 | 33.5 | 14.2 | 28.4 | 32 |
| | 8 | 45.5 | 20.2 | 40.4 | 44 |
| Double | 8 | 45.5 | 20.2 | 40.4 | 44 |
| | 12 | 45.5 | 20.2 | 40.4 | 44 |
| | 16 | 45.5 | 20.2 | 40.4 | 44 |
| | 20 | 45.5 | 20.2 | 40.4 | 44 |

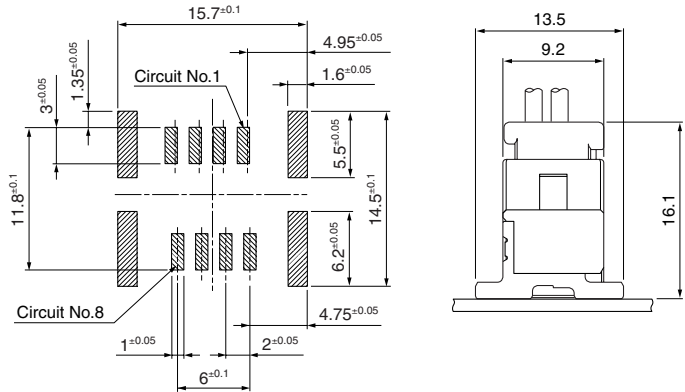
PC board layout, Assembly layout

Top entry type

● 2 circuits

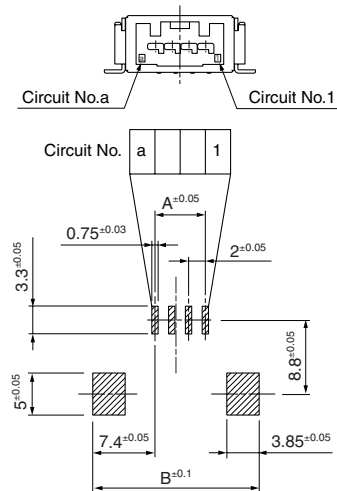


● 8 circuits



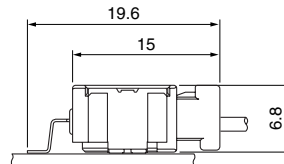
Side entry type

● 2, 4, 8 (Single) circuits

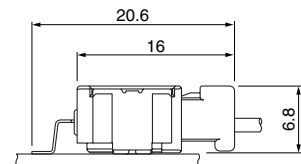


| Circuits | A | B |
|------------|----|------|
| 2 | 2 | 15.8 |
| 4 | 6 | 19.8 |
| 8 (Single) | 14 | 27.8 |

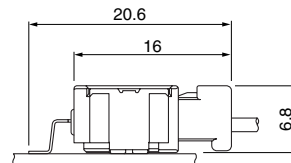
● 2 circuits



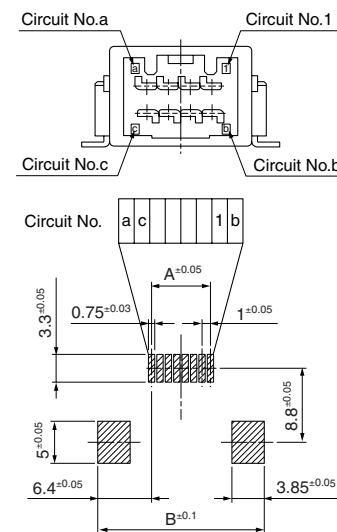
● 4 circuits



● 8 (Single) circuits

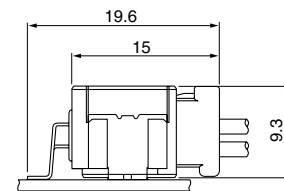


● 8 (Double), 12, 16, 20 circuits

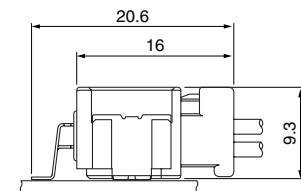


| Circuits | A | B |
|------------|----|------|
| 8 (Double) | 7 | 19.8 |
| 12 | 11 | 23.8 |
| 16 | 15 | 27.8 |
| 20 | 19 | 31.8 |

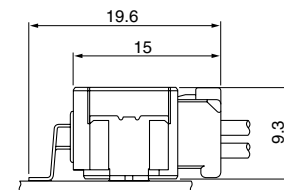
● 8 (Double) circuits



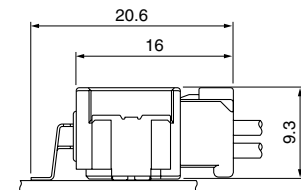
● 12 circuits



● 16 circuits



● 20 circuits



Note: 1. Tolerances are non-cumulative: ±0.05mm for all centers.
2. The dimensions above should serve as guideline. Contact JST for details.

Crimping machine, Applicator

| Strip terminal | Crimping machine | Crimp applicator MKS-L | |
|-----------------|------------------|------------------------|----------------------------|
| | | Dies | Crimp applicator with dies |
| SCPT-A021GF-0.5 | AP-K2N | MK/SCPT-A021-05 | APLMK SCPT-A021-05 |

Note: When crimping operation is conducted using an applicator and die set other than the above, JST cannot guarantee the performance of the terminal.

Mouser Electronics

Authorized Distributor

Click to View Pricing, Inventory, Delivery & Lifecycle Information:

JST:

[02CPT-B-2A](#) [BM08B-CPTK-1A-TB](#) [SM02B-CPTK-1A-TB](#) [SM12B-CPTK-1A-TBL](#) [SM08B-CPTK-1A-TBL](#) [04CPT-B1-2A](#) [16CPT-B-2A](#) [BM02B-CPTK-1A-TB](#) [SM16B-CPTK-1A-TBL](#) [20CPT-B-2A](#) [12CPT-B-2A](#) [SM04B1-CPTK-1A-TB](#) [SM20B-CPTK-1A-TBL](#) [08CPT-B-2A](#) [SCPT-A021GF-0.5](#) [24CPT-B-2A](#) [SM24B-CPTK-1A-TB\(L\)](#)

Данный компонент на территории Российской Федерации

Вы можете приобрести в компании MosChip.

Для оперативного оформления запроса Вам необходимо перейти по данной ссылке:

<http://moschip.ru/get-element>

Вы можете разместить у нас заказ для любого Вашего проекта, будь то серийное производство или разработка единичного прибора.

В нашем ассортименте представлены ведущие мировые производители активных и пассивных электронных компонентов.

Нашей специализацией является поставка электронной компонентной базы двойного назначения, продукции таких производителей как XILINX, Intel (ex.ALTERA), Vicor, Microchip, Texas Instruments, Analog Devices, Mini-Circuits, Amphenol, Glenair.

Сотрудничество с глобальными дистрибьюторами электронных компонентов, предоставляет возможность заказывать и получать с международных складов практически любой перечень компонентов в оптимальные для Вас сроки.

На всех этапах разработки и производства наши партнеры могут получить квалифицированную поддержку опытных инженеров.

Система менеджмента качества компании отвечает требованиям в соответствии с ГОСТ Р ИСО 9001, ГОСТ РВ 0015-002 и ЭС РД 009

Офис по работе с юридическими лицами:

105318, г.Москва, ул.Щербаковская д.3, офис 1107, 1118, ДЦ «Щербаковский»

Телефон: +7 495 668-12-70 (многоканальный)

Факс: +7 495 668-12-70 (доб.304)

E-mail: info@moschip.ru

Skype отдела продаж:

moschip.ru

moschip.ru_4

moschip.ru_6

moschip.ru_9