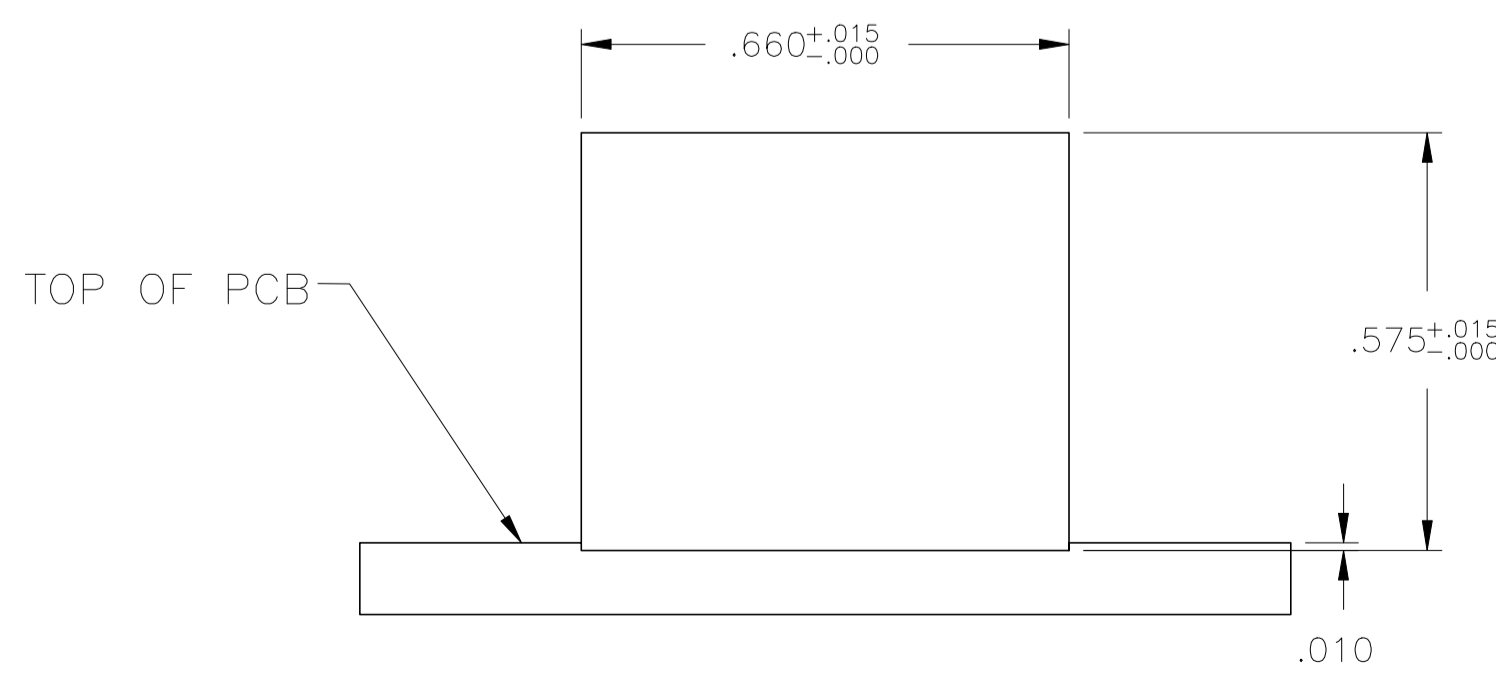
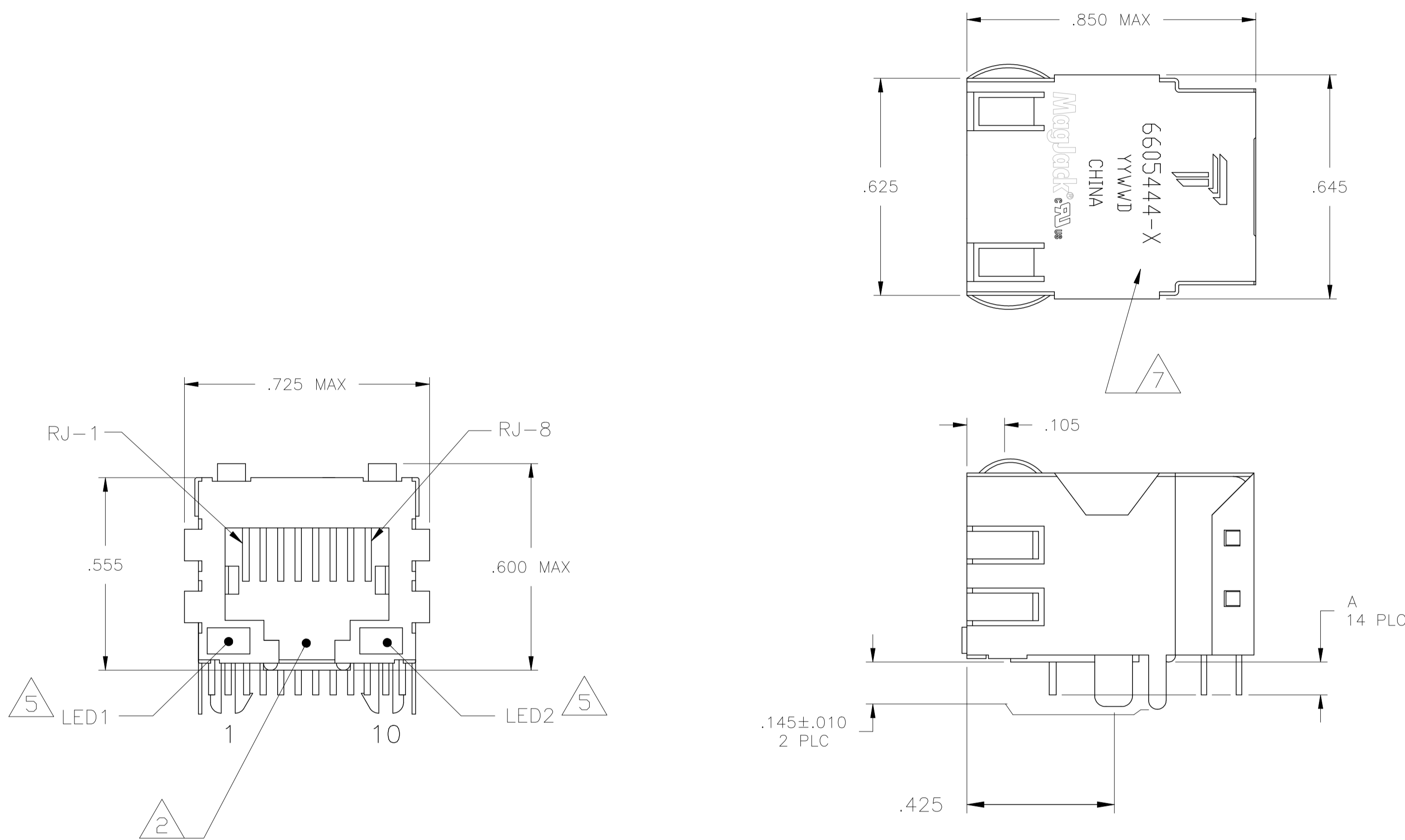


THIS DRAWING AND THE SUBJECT MATTER SHOWN THEREON ARE CONFIDENTIAL AND THE PROPERTY OF BEL/STEWART/TRP CONNECTOR AND SHALL NOT BE REPRODUCED, COPIED, OR USED IN ANY MANNER WITHOUT THE WRITTEN CONSENT OF TRP CONNECTOR.

PRODUCT MAY BE PROTECTED BY ONE OR MORE OF THE FOLLOWING US PATENTS:  
 5736910 5939955 6425781 6428361 6554638 6840817 7123117  
 7429195 7717749 7808751 6217391 6149050 7924130

REVISIONS					
P	LTR	REV	DESCRIPTION	DATE	APP'D
M			EC-1411035 COMPANY LOGO CHANGE	29DEC2014	ST TL

**MECHANICAL:**



**Suggested Panel Cutout**

- MATERIALS:**  
 HOUSING - THERMOPLASTIC POLYESTER FLAMMABILITY RATING UL 94V-0.  
 SHIELD - .010" THICK, C26800 BRASS PREPLATED WITH 30μINCH SEMI-BRIGHT NICKEL. SOLDER TABS POST DIPPED WITH 100μINCH MIN SAC SOLDER.  
 MOD JACK CONTACTS - 0.0157 X 0.018" PHOSPHOR BRONZE, 1.27μM MIN NICKEL UNDERPLATE, WITH 1.27μM MIN GOLD PLATING AT MATING INTERFACE AND 2.54μM MIN MATTE TIN ON SOLDER TAILS, OR 1.27μM MIN NICKEL UNDERPLATE, WITH 0.05μM GOLD PLATING OVER 0.76μM MIN PALLADIUM NICKEL PLATING AT MATING INTERFACE AND 2.54μM MIN MATTE TIN ON SOLDER TAILS.  
 LIGHT EMITTING DIODE(LED) - DIFFUSED EPOXY LENS, .020" x .020" CARBON STEEL WIREFRAME LEADS PRE-PLATED WITH 80μINCH SILVER OVER 40μINCH NICKEL UNDERPLATE OVER 40μINCH COPPER UNDERPLATE. POST-PLATED WITH 100μINCH MIN MATTE TIN AND/OR SAC SOLDER DIP OR PURE TIN SOLDER DIP.
- RJ45 JACK CAVITY CONFORMS TO FCC RULES AND REGULATIONS PART 68, SUB PART F.
- MAGNETICS**  
 -IMPEDANCE: 100 OHMS  
 -TURNS RATIO (CHIP CABLE): 1:1 ALL FOUR PAIRS  
 -OPEN CIRCUIT INDUCTANCE (OCL): 350μH MIN @100kHz, 0.1VRMS, 8mADC BIAS FROM 0°C TO 70°C, ALL FOUR PAIRS  
 -ALL FOUR PAIRS BI-DIRECTIONAL  
 -PERFORMANCE @ 25°C:  
 INSERTION LOSS (IL): 1.1dB MAX FROM 0.5MHz TO 100MHz  
 RETURN LOSS (RL): 18dB MIN FROM 0.5MHz TO 40MHz  
 12-20LOG(f/80)dB MIN FROM 40.1MHz TO 100MHz  
 CROSSTALK ATTENUATION: 35dB MIN FROM 0.5MHz TO 40MHz  
 33-20LOG(f/50)dB MIN FROM 40.1MHz TO 100MHz  
 COMMON MODE REJECTION RATIO (CMRR): 30dB MIN FROM 0.5MHz TO 100MHz  
 -ISOLATION VOLTAGE: 2250VDC(MAX) FOR 60 SECONDS WITH A RISE TIME OF 500V/SEC.
- OPERATING TEMPERATURE: FROM 0°C TO +70°C.
- THE 250 OHM LED RESISTORS ARE OPTIONAL, PLEASE SEE CHART FOR PRESENCE OR ABSENCE OF LED RESISTORS. IF THE LED WITHOUT 250 OHM RESISTORS, LED IS DRIVEN WITH CONSTANT CURRENT AT APPROX 20mA.  
 LED COLOR: DOMINANT WAVELENGTH (λD): GREEN 568 nm TYP. @ IF=20mA  
 FORWARD VOLTAGE (VF): GREEN 2.2V TYP. @ IF=20mA  
 DOMINANT WAVELENGTH (λD): YELLOW 588 nm TYP. @ IF=20mA  
 FORWARD VOLTAGE (VF): YELLOW 2.1V TYP. @ IF=20mA  
 DOMINANT WAVELENGTH (λD): ORANGE 605 nm TYP. @ IF=20mA  
 FORWARD VOLTAGE (VF): ORANGE 2.1V TYP. @ IF=20mA.

IF THE LED WITH 250 OHM RESISTORS, LED IS DRIVEN WITH 5V VOLTAGE AND THE MAX OPERATING CURRENT IS 20mA.  
 LED COLOR: DOMINANT WAVELENGTH (λD): GREEN 568 nm TYP. @ VF=5V  
 FORWARD CURRENT (IF): GREEN 12 mA TYP. @ VF=5V
- INDICATED MAGNETIC CONNECTIONS ARE SYMMETRICAL TO SUPPORT AUTO-MDI/MDIX.
- TRP CONNECTOR LOGO, PART NUMBER, DATE CODE, COUNTRY OF ORIGIN AND AGENCY APPROVAL MARKING IN APPROXIMATE LOCATION SHOWN. DATE CODE: "YY" IS YEAR, "WW" IS WORK WEEK, "D" IS DAY OF WEEK, WITH SUNDAY=1
- THESE PARTS ARE RECOMMENDED FOR WAVE SOLDERING PROCESS, PREHEAT TEMPERATURE IS 120°C TO 160°C, 120 SECONDS TO 180 SECONDS, PEAK WAVE SOLDERING TEMPERATURE IS 260°C MAX, 10 SECONDS MAX.

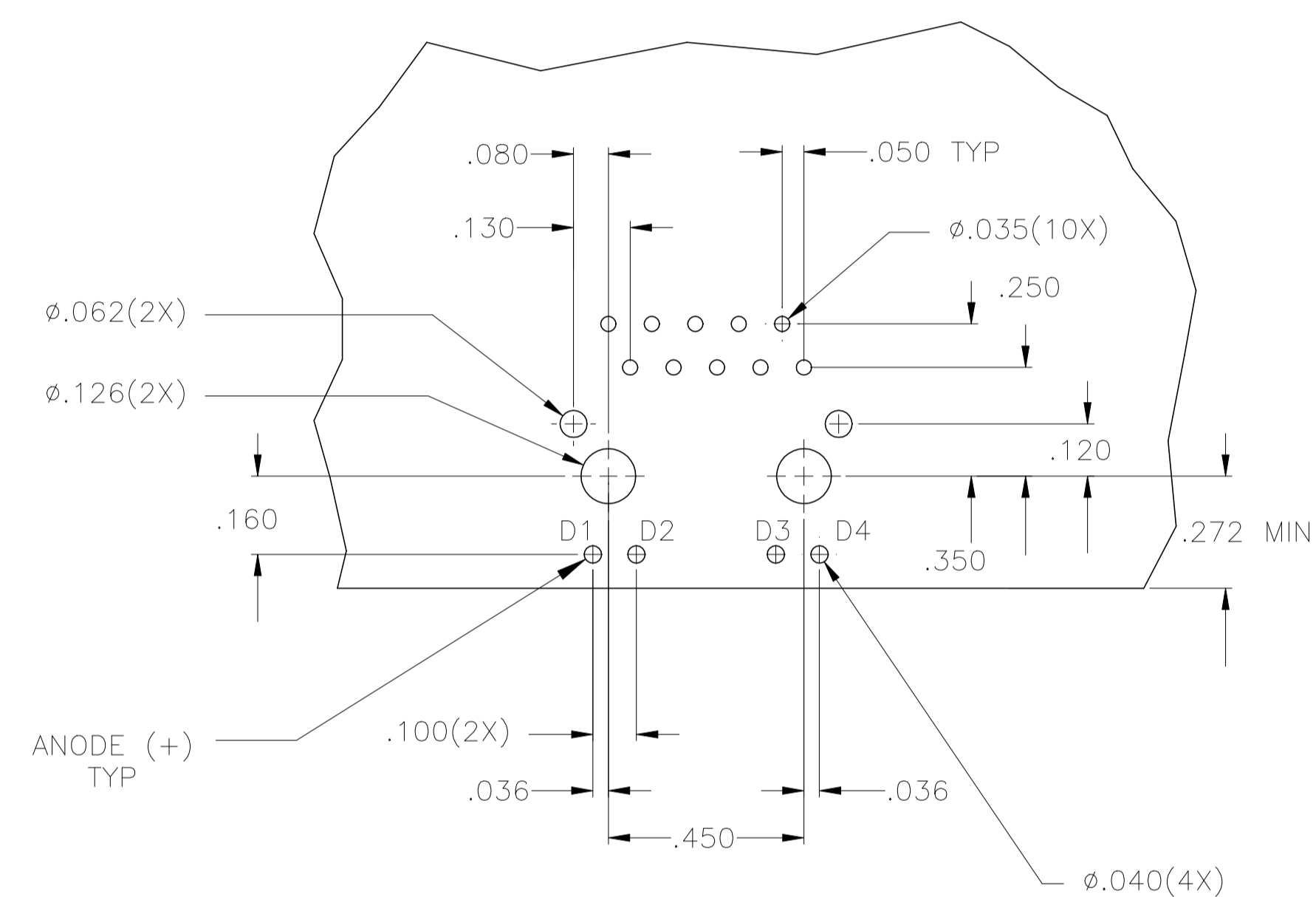
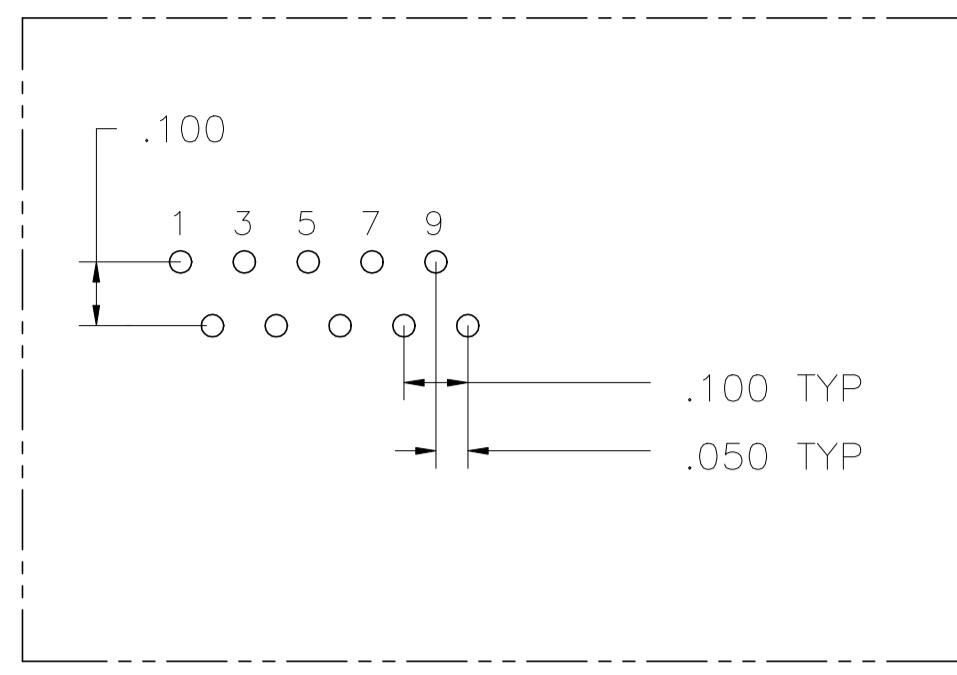
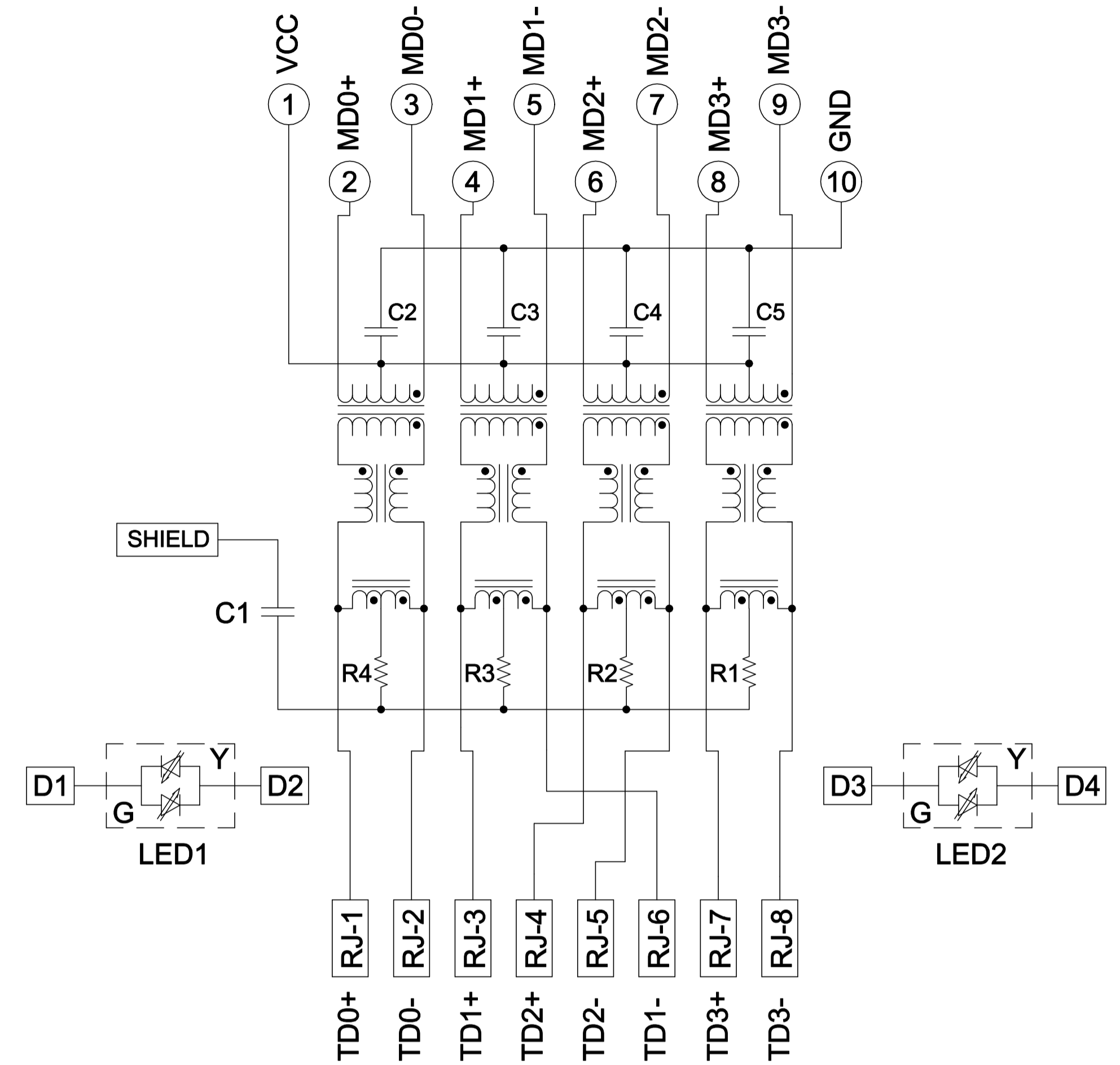
	HIGH TEMPERATURE	.145±.010	GREEN	YES	GREEN	YES	3-6605444-1
OBSOLETE	NORMAL TEMPERATURE	.145±.010	GREEN	YES	GREEN	YES	2-6605444-1
	HIGH TEMPERATURE	.090±.010	GREEN/YELLOW	NO	GREEN/YELLOW	NO	3-6605444-6
OBSOLETE	NORMAL TEMPERATURE	.145±.010	GREEN/YELLOW	NO	GREEN/YELLOW	NO	2-6605444-6
OBSOLETE	NORMAL TEMPERATURE	.090±.010	GREEN	NO	GREEN/ORANGE	NO	1-6605444-8
OBSOLETE	NORMAL TEMPERATURE	.090±.010	GREEN/ORANGE	NO	YELLOW	NO	1-6605444-3
	NORMAL TEMPERATURE	.090±.010	GREEN	YES	GREEN	YES	1-6605444-1
	NORMAL TEMPERATURE	.090±.010	GREEN/YELLOW	NO	GREEN/YELLOW	NO	6605444-6
	HOUSING MATERIAL	A	LED1	250 OHMS RESISTOR	LED2	250 OHMS RESISTOR	PART NUMBER

THIS DRAWING IS A CONTROLLED DOCUMENT.

DIMENSIONS: INCHES	TOLERANCES UNLESS OTHERWISE SPECIFIED:	DIN G. ATTADIA - 09MAR2005	DOCKS 09MAR2005
0 PLC ± -	1 PLC ± -	D. FAROLE 09MAR2005	09MAR2005
2 PLC ± 0.010	3 PLC ± 0.005	D. FAROLE 09MAR2005	09MAR2005
4 PLC ± -	ANGLES ± -	<b>trp</b> CONNECTOR a bel group DONGGUAN CHINA	
PRODUCT SPEC 108-2100	APPLICATION SPEC -	MODEL NAME	DESC 1X1 4G05P1 GIGABIT TAB DOWN W/ LED
		MAGJACK	SIZE A1
		SINGLE NON-POE	CAGE CODE -
			DRAWING NO. C=6605444
		CUSTOMER DRAWING	RESTRICTED TO -
		SCALE 1:1	SHEET 1 OF 2
			REV M

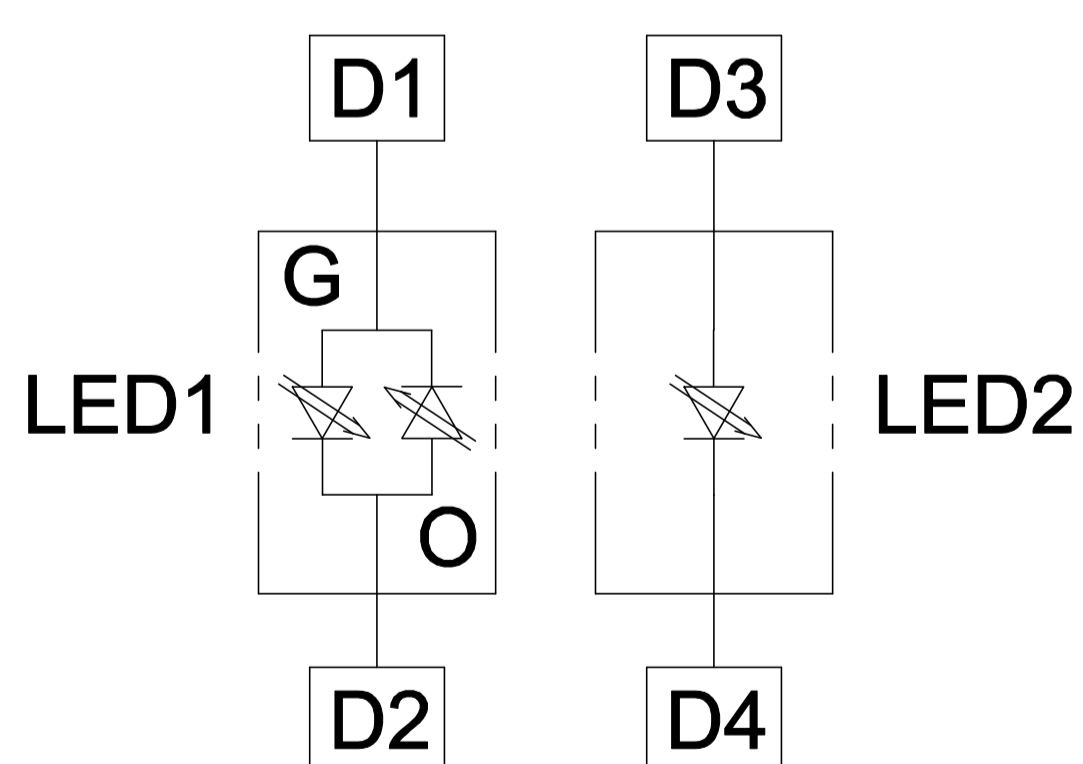
ELECTRICAL:

4G05P1 Series GIGABIT Magnetic Circuit

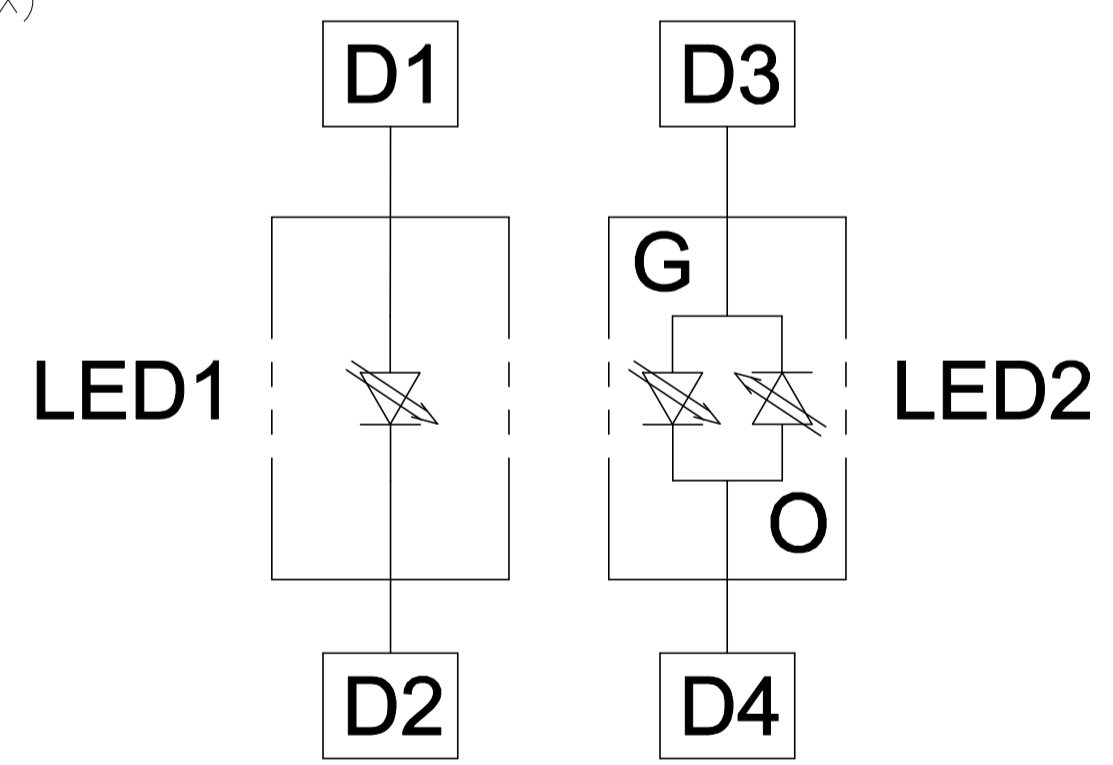


LED CONFIGURATION  
For 1-6605444-1 ONLY

- C1 = 1000 pF, 2kV CAPACITOR**
- R1-R4 = 75 OHMS, 1/16 W RESISTORS**
- C2-C5 = 0.1uF, 50V, X7R CAPACITORS**



LED CONFIGURATION  
FOR 1-6605444-3 ONLY



LED CONFIGURATION  
FOR 1-6605444-8 ONLY

THIS DRAWING IS A CONTROLLED DOCUMENT.		DIN G ATTADIA 09MAR2005		 <b>trp</b> CONNECTOR <small>a bel group</small>	DONGGUAN CHINA
DIMENSIONS: INCHES		DOKKS 09MAR2005			
TOLERANCES UNLESS OTHERWISE SPECIFIED:		APFD D FAROLE 09MAR2005		DESC 1X1 4G05P1 GIGABIT TAB DOWN W/ LED	
0 PLC ± - 1 PLC ± - 2 PLC ± 0.010 3 PLC ± 0.005 4 PLC ± - ANGLES ± - APPLICATION SPEC ± -		MODEL NAME		SIZE CAGE CODE DRAWING NO RESTRICTED TO	
PRODUCT SPEC 108-2100		SINGLE NON-POE		A1 ©=6605444	
		CUSTOMER DRAWING		SCALE 1:1 SHEET 2 OF 2 REV M	

## Данный компонент на территории Российской Федерации

### Вы можете приобрести в компании MosChip.

Для оперативного оформления запроса Вам необходимо перейти по данной ссылке:

<http://moschip.ru/get-element>

Вы можете разместить у нас заказ для любого Вашего проекта, будь то серийное производство или разработка единичного прибора.

В нашем ассортименте представлены ведущие мировые производители активных и пассивных электронных компонентов.

Нашей специализацией является поставка электронной компонентной базы двойного назначения, продукции таких производителей как XILINX, Intel (ex.ALTERA), Vicor, Microchip, Texas Instruments, Analog Devices, Mini-Circuits, Amphenol, Glenair.

Сотрудничество с глобальными дистрибьюторами электронных компонентов, предоставляет возможность заказывать и получать с международных складов практически любой перечень компонентов в оптимальные для Вас сроки.

На всех этапах разработки и производства наши партнеры могут получить квалифицированную поддержку опытных инженеров.

Система менеджмента качества компании отвечает требованиям в соответствии с ГОСТ Р ИСО 9001, ГОСТ РВ 0015-002 и ЭС РД 009

### Офис по работе с юридическими лицами:

105318, г.Москва, ул.Щербаковская д.3, офис 1107, 1118, ДЦ «Щербаковский»

Телефон: +7 495 668-12-70 (многоканальный)

Факс: +7 495 668-12-70 (доб.304)

E-mail: [info@moschip.ru](mailto:info@moschip.ru)

Skype отдела продаж:

moschip.ru

moschip.ru\_4

moschip.ru\_6

moschip.ru\_9