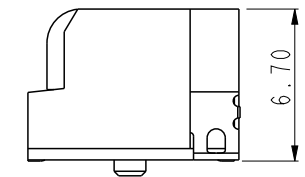
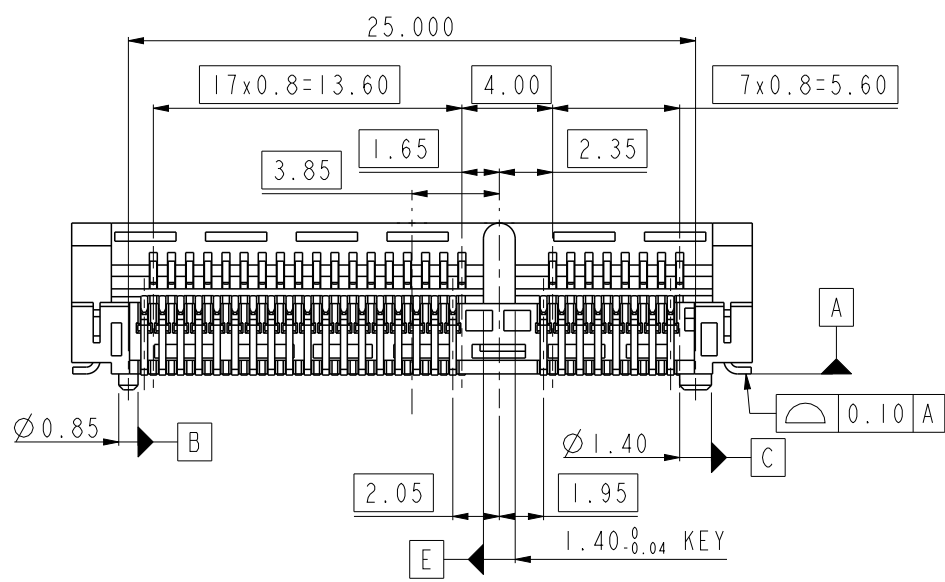
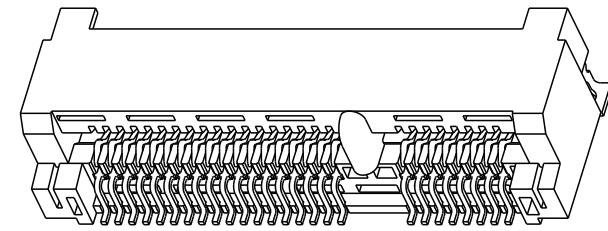
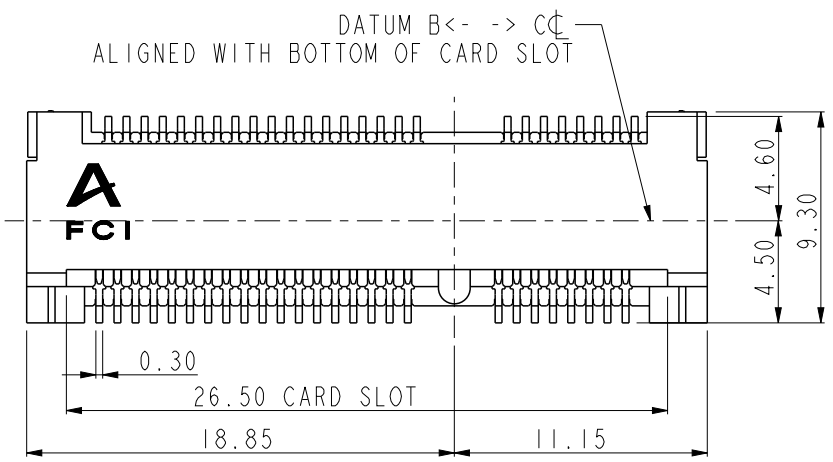




Copyright FCI.

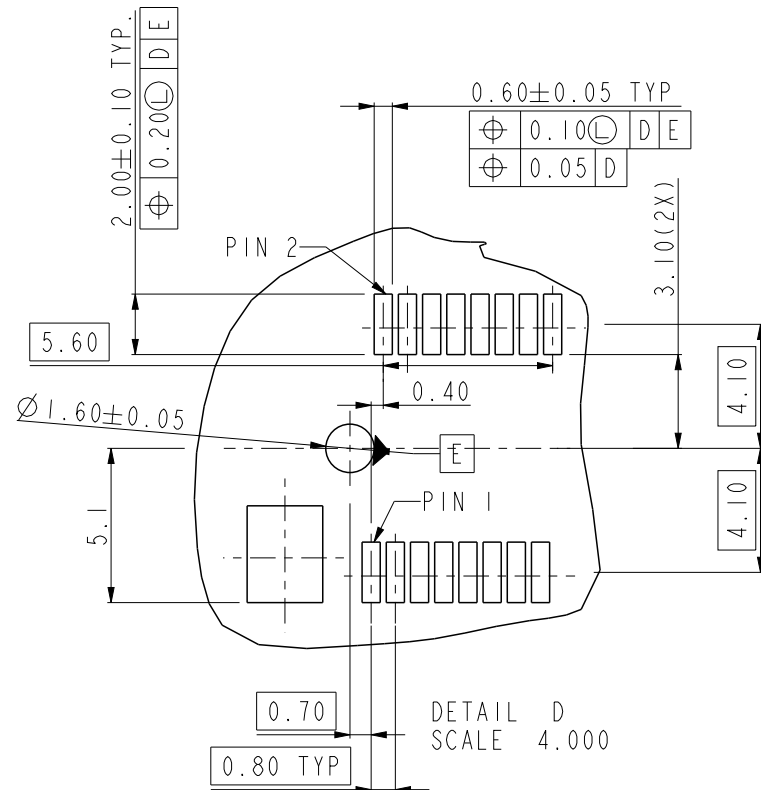
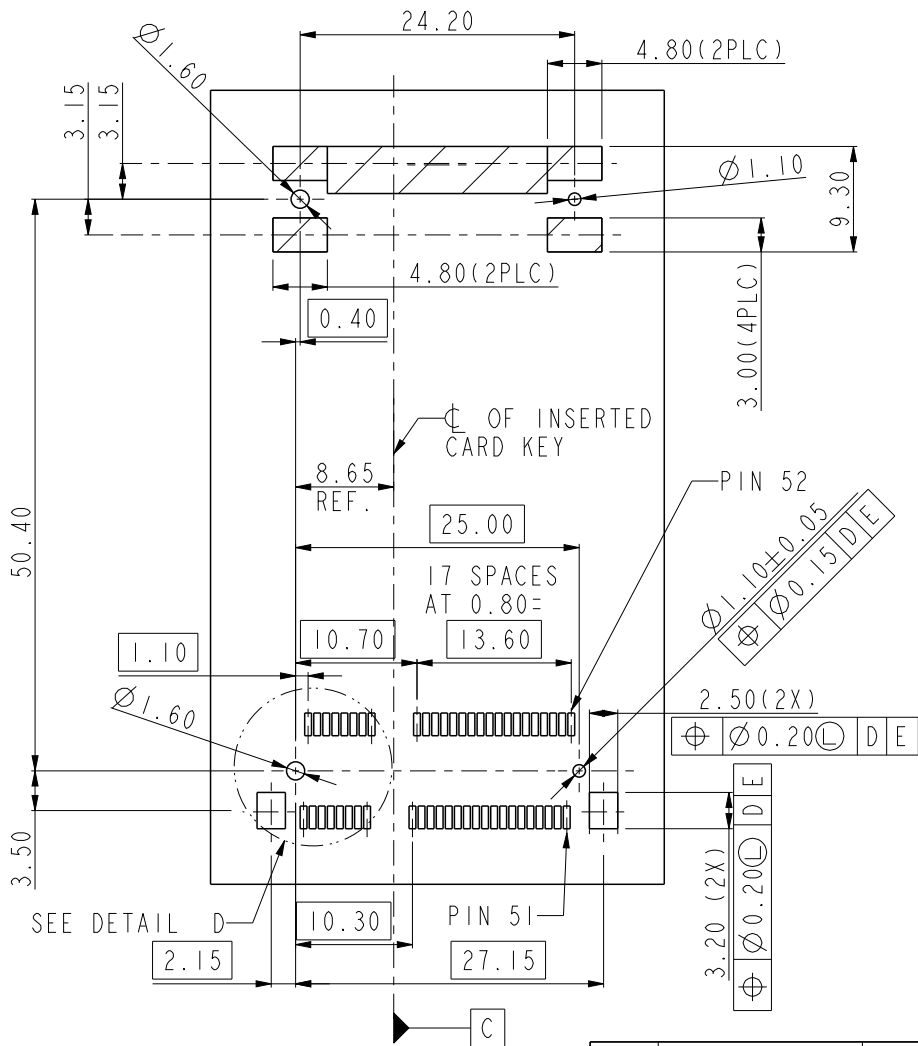


| rev | ecn no | dr | date |
|-----|-----------------|----|------------|
| A | T05-0182 | RC | 09/13/05 |
| B | T06-0024 | RC | 03/15/06 |
| C | DG06-0204 | PM | 05/29/06 |
| D | DG06-0215 | PM | 06/02/06 |
| E | DG09-0364 | BL | 11/20/09 |
| F | ELX-DG-011231-1 | AL | 2012-04-09 |
| - | - | - | - |

| | | | | | | | | | | | | | |
|---------------------------------------|------------|-------|-------------------------|--------------------|----------------|---|-----------|------------------------|--------------|-------|------------|--------------|--------|
| spec ref | * | dr | Pei-Ming Zheng | 2006/11/01 | projection | mm | size | A4 | scale | 3.000 | | | |
| tolerance std | ASME Y14.5 | eng | Andy Lu | 2012/04/08 | | | ecn no | ELX-DG-011231-1 | | | | | |
| TOLERANCES UNLESS OTHERWISE SPECIFIED | | chr | Jian Huang | 2012/04/09 | | | rel level | Released | | | | | |
| surface | linear | 0.X | ±0.30 | FCI www.fci.com | title | MINI PCI EXPRESS 52P 6.7MM HEIGHT ASSEMBLY | cat. no. | Product - Customer Drw | sheet 1 of 5 | rev | F | | |
| ASME Y14.5 | angular | 0.XX | ±0.25 | | | | | | | | | | |
| | | 0.XXX | ±0.15 | | | | | | | | | | |
| 0° | ±2° | KEY | 1.40 ⁰ -0.04 | 1.95 | 2.05 | 0.10 | 0.85 | 1.40 | 2.35 | 4.00 | 7x0.8=5.60 | 17x0.8=13.60 | 25.000 |

ProE File - REV C - 2009-06-09

RECOMMENDED PCB LAYOUT(SINGLE SOCKET)

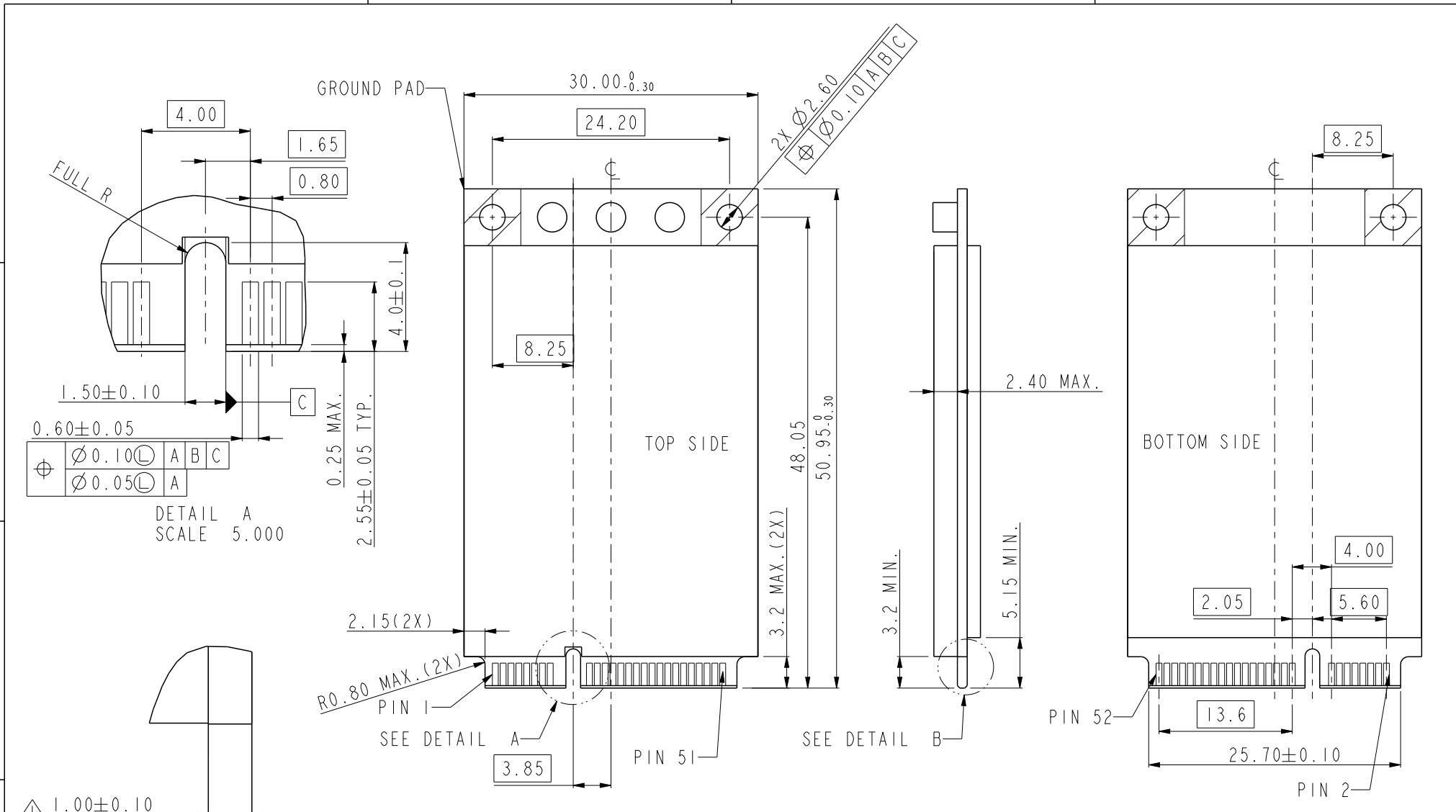


- NOTES:
- DATUM D IS THE TOP SURFACE OF PCB.
 - THE HORIZONTAL AXIS FOR THE PATTERN IS ESTABLISHED BY A LINE THROUGH THE CENTER OF THE Ø1.60 AND Ø1.10 HOLES. THE VERTICAL AXIS IS 90° TO THE HORIZONTAL AXIS, THROUGH THE CENTER OF DATUM E.
 - LOCATION OF INSERTED CARD EDGE IS ALIGNED WITH CENTER OF HOLES.

| | | | | | | | | |
|-------------|----------------|------------|----------------|--------|------------------------|-----------------|--------------|-------|
| dr | Pei-Ming Zheng | 2006/11/01 | projection | mm | size | A4 | scale | 1.500 |
| eng | Andy Lu | 2012/04/08 | | | ecn no | ELX-DG-011231-1 | | |
| chr | Jian Huang | 2012/04/09 | | | rel level | Released | | |
| appr | Pei-Ming Zheng | 2012/04/09 | product family | | | | rev | |
| | | title | | | MINI PCI EXPRESS 52P | | dwg no | |
| www.fci.com | | cat. no. | | | Product - Customer Drw | | 10054995 | |
| | | | | | | | sheet 2 of 5 | |
| | | | | | | | F | |



Copyright FCI.

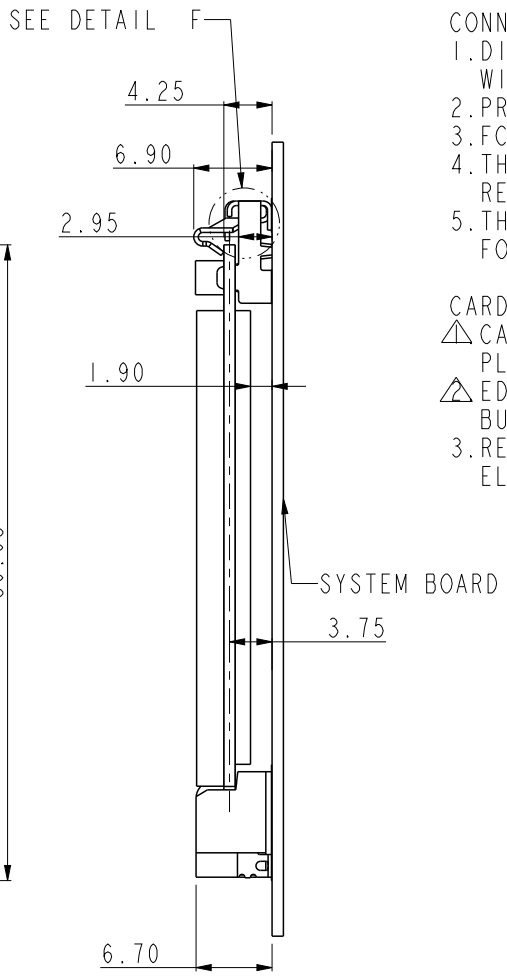
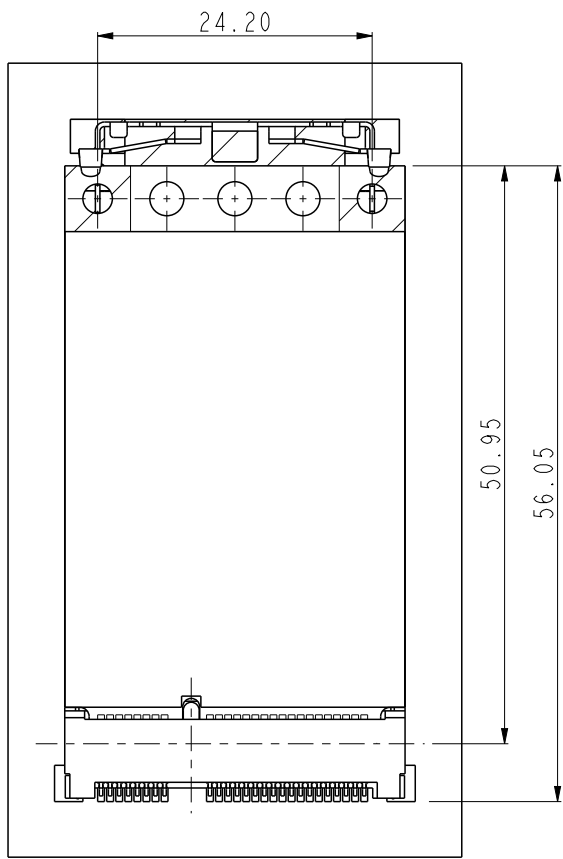


| | | | | | | | | |
|-------------|----------------|------------|----------------|------------------------|-----------|-----------------|-------|----------|
| dr | Pei-Ming Zheng | 2006/11/01 | projection | mm ←→ | size | A4 | scale | 2.000 |
| eng | Andy Lu | 2012/04/08 | | | ecn no | ELX-DG-011231-1 | | |
| chr | Jian Huang | 2012/04/09 | | | rel level | Released | | |
| appr | Pei-Ming Zheng | 2012/04/09 | product family | | rev | | | |
| | | title | | MINI PCI EXPRESS 52P | | dwg no | | 10054995 |
| www.fci.com | | cat. no. | | Product - Customer Drw | | sheet 3 of 5 | | F |
| | | | | | | | | |

ProjE File - REV C - 2009-06-09

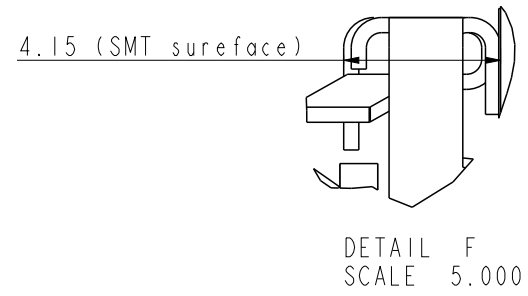


Copyright FCI.



CONNECTOR NOTES:
 1. DIMENSIONS AND TOLERANCE ARE IN ACCORDANCE WITH ASME Y14.5M, 1944 UNLESS OTHERWISE SPECIFIED.
 2. PRODUCT SPECIFICATION: GS-12-236.
 3. FCI LOGO WILL BE APPROXIMATELY LOCATED AS SHOWN ON PRINT.
 4. THIS PRODUCT MEETS EUROPEAN UNION DIRECTIVES AND OTHER COUNTRY REGULATIONS AS DESCRIBED IN GS-22-008.
 5. THE HOUSING WILL WITHSTAND EXPOSURE TO 260°C PEAK TEMPERATURE FOR 10 SECONDS IN A IR-REFLOW APPLICATION.

CARD NOTES:
 ▲ CARD THICKNESS APPLIES ACROSS TABS AND INCLUDES PLATING AND /OR METALIZATION.
 ▲ EDGE BEVEL MUST BE PRESENT AND FREE OF CUTING BURRS FROM PCB AND CONTACT METATERIALS.
 3. RECOMMENDED PLATING FOR CONTACT PADS ELECTROLYTIC GOLD 0.76um.



| | | | | | | | | |
|-------------|----------------|-----------------------|----------------|--------|------------------------|-----------------|--------------|-------|
| dr | Pei-Ming Zheng | 2006/11/01 | projection | mm | size | A4 | scale | 1.500 |
| eng | Andy Lu | 2012/04/08 | | | ecn no | ELX-DG-011231-1 | | |
| chr | Jian Huang | 2012/04/09 | | | rel level | Released | | |
| appr | Pei-Ming Zheng | 2012/04/09 | product family | | rev | | F | |
| | | title | | | dwg no | | 10054995 | |
| www.fci.com | | cat. no. | | | Product - Customer Drw | | sheet 4 of 5 | |
| | | MINI PCI EXPRESS 52P | | | | | | |
| | | 6.7MM HEIGHT ASSEMBLY | | | | | | |

NOTES:

- 1. MATERIAL:
HOUSING: THERMOPLASTIC, HIGH TEMP,
UL 94V-0, COLOR BLACK.
CONTACTS: PHOSPHOR BRONZE.
HOLD DOWN: BRASS.
- 2. PLATING:
CONTACT: Ni UNDER PLATING. OTHERS SEE TABLE
HOLD DOWN: Ni UNDER PLATING. OTHERS SEE TABLE.
- 3. "LF" CODES ARE FOR LEAD FREE OPTIONS. SEE TABLE.
- 4. PRODUCT SPEC: GS-12-236.

10054995-□ □ □ □ □ (LF)

"LF" CODE ONLY EXISTS WHEN
2ND AND 4TH CODES ARE "0" OR "2".
SEE TABLE.

Packaging Code
Null: Tray
R: Tape & Reel 

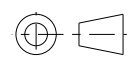
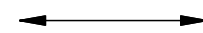

SOLDER TAIL PLATING
0: Pure Sn (Matte Tin).
1: Sn-Pb (Bright).

CONTACT PLATING
1 : Gold flash.
2 : Au 15 u" MIN.
3 : Au 30 u" MIN.

HOLD DOWN PLATING
0: Pure Sn (Bright Tin).
1: Sn-Pb (Bright).
2: Pure Sn (Matte Tin)

(RESERVED CODE)
0

| PRODUCT NO. | HOLD DOWN PLATING | TERMINAL CONTACT POINT FINISH | SOLDER TAIL PLATING |
|-----------------|----------------------|-------------------------------|-----------------------------------|
| 10054995-0010LF | PURE Sn (Bright Tin) | Gold flash (0.038 um) MIN. | PURE Sn (Matte Tin) PLATING |
| 10054995-0210LF | PURE Sn (Matte Tin) | | |
| 10054995-0110 | Sn-Pb (Bright) | | |
| 10054995-0020LF | PURE Sn (Bright Tin) | Au 15 u" (0.38 um) MIN. | |
| 10054995-0220LF | PURE Sn (Matte Tin) | | |
| 10054995-0120 | Sn-Pb (Bright) | | |
| 10054995-0030LF | PURE Sn (Bright Tin) | Au 30 u" (0.76 um) MIN. | |
| 10054995-0230LF | PURE Sn (Matte Tin) | | |
| 10054995-0130 | Sn-Pb (Bright) | | |
| 10054995-0011 | PURE Sn (Bright Tin) | Gold flash (0.038 um) MIN. | |
| 10054995-0111 | Sn-Pb (Bright) | | |
| 10054995-0021 | PURE Sn (Bright Tin) | Au 15 u" (0.38 um) MIN. | |
| 10054995-0121 | Sn-Pb (Bright) | | |
| 10054995-0031 | PURE Sn (Bright Tin) | Au 30 u" (0.76 um) MIN. | |
| 10054995-0131 | Sn-Pb (Bright) | | |

| | | | | | | | | |
|---|----------------|---|---|---|--------------|-----------------|-------|-------|
| dr | Pei-Ming Zheng | 2006/11/01 | projection  | mm  | size | A4 | scale | 1.000 |
| eng | Andy Lu | 2012/04/08 | | | ecn no | ELX-DG-011231-1 | | |
| chr | Jian Huang | 2012/04/09 | | | rel level | Released | | |
| appr | Pei-Ming Zheng | 2012/04/09 | product family | | | | | |
|  | title | MINI PCI EXPRESS 52P 6.7MM HEIGHT ASSEMBLY | | dwg no | 10054995 | | rev | F |
| www.fci.com | cat. no. | Product - Customer Drw | | | sheet 5 of 5 | | | |



Copyright FCI.

Данный компонент на территории Российской Федерации

Вы можете приобрести в компании MosChip.

Для оперативного оформления запроса Вам необходимо перейти по данной ссылке:

<http://moschip.ru/get-element>

Вы можете разместить у нас заказ для любого Вашего проекта, будь то серийное производство или разработка единичного прибора.

В нашем ассортименте представлены ведущие мировые производители активных и пассивных электронных компонентов.

Нашей специализацией является поставка электронной компонентной базы двойного назначения, продукции таких производителей как XILINX, Intel (ex.ALTERA), Vicor, Microchip, Texas Instruments, Analog Devices, Mini-Circuits, Amphenol, Glenair.

Сотрудничество с глобальными дистрибьюторами электронных компонентов, предоставляет возможность заказывать и получать с международных складов практически любой перечень компонентов в оптимальные для Вас сроки.

На всех этапах разработки и производства наши партнеры могут получить квалифицированную поддержку опытных инженеров.

Система менеджмента качества компании отвечает требованиям в соответствии с ГОСТ Р ИСО 9001, ГОСТ РВ 0015-002 и ЭС РД 009

Офис по работе с юридическими лицами:

105318, г.Москва, ул.Щербаковская д.3, офис 1107, 1118, ДЦ «Щербаковский»

Телефон: +7 495 668-12-70 (многоканальный)

Факс: +7 495 668-12-70 (доб.304)

E-mail: info@moschip.ru

Skype отдела продаж:

moschip.ru

moschip.ru_4

moschip.ru_6

moschip.ru_9