



Main

Range of product	Modicon M238 logic controller
Product or component type	Discrete output module
Discrete output number	16
Discrete output type	Relay

Complementary

Range compatibility	Advantys OTB Twido
Discrete output function	1 NO
Current per channel	2 A
Current per output common	8 A
Number of common point	2
Contact resistance	<= 45 mOhm
Response time	<= 10 ms from state 0 to state 1 input <= 5 ms from state 1 to state 0 input
Minimum switching current	0.1 mA 0.1 V DC
Isolation between channels	1500 V for 1 minute
Isolation between channels and internal logic	2300 V for 1 minute
Isolation between output channels group	1500 V for 1 minute
Mechanical durability	20000000 cycles
Electrical durability	100000 cycles 0.5 A AC-15 240 V AC cos phi = 0.35 inductive 100000 cycles 1 A AC-15 240 V AC cos phi = 0.7 inductive 100000 cycles 1 A DC-13 24 V DC inductive (L/R = 7 ms) 100000 cycles 2 A 240 V AC resistive 100000 cycles 2 A 30 V DC resistive
Current consumption	30 mA 5 V DC at state 1 for all output 40 mA 24 V DC at state 1 for all output
Local signalling	1 display block
Electrical connection	1 removable screw terminal block
Mounting support	35 mm symmetrical DIN rail
Product weight	0.32 lb(US) (0.145 kg)

Environment

depth	3.33 in (84.6 mm)
height	3.54 in (90 mm)
width	1.07 in (27.3 mm)

Offer Sustainability

Green Premium product	Green Premium product
Compliant - since 1039 - Schneider Electric declaration of conformity	Compliant - since 1039 - Schneider Electric declaration of conformity
Reference not containing SVHC above the threshold	Reference not containing SVHC above the threshold
Available	Available
Available	Available

The information provided in this documentation contains general descriptions and/or technical characteristics of the products contained herein. This documentation is not intended as a substitute for and is not to be used for determining suitability or reliability of these products for specific user applications. It is the duty of any such user or integrator to perform the appropriate and complete risk analysis, evaluation and testing of the products with respect to the relevant specific application or use thereof. Neither Schneider Electric Industries SAS nor any of its affiliates or subsidiaries shall be responsible or liable for misuse of the information contained herein.

WARNING: This product can expose you to chemicals including:

WARNING: This product can expose you to chemicals including:

Lead and lead compounds, which is known to the State of California to cause cancer and birth defects or other reproductive harm.

Lead and lead compounds, which is known to the State of California to cause cancer and birth defects or other reproductive harm.

For more information go to www.p65warnings.ca.gov

For more information go to www.p65warnings.ca.gov

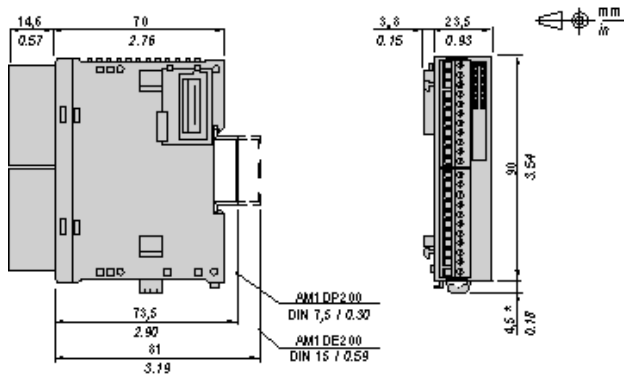
Contractual warranty

Warranty period

18 months

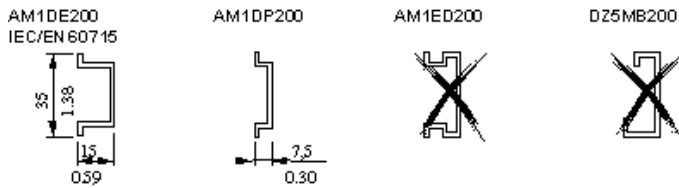
Digital Relay Output Module (16-contact)

Dimensions



NOTE: * 8.5 mm (0.33 in) when the clamp is pulled out.

DIN Rail Mounting

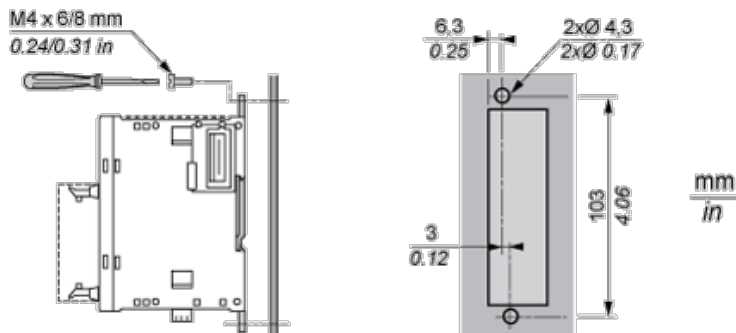


Rail depth	Catalogue part number
15 mm (0.59 in.)	AM1DE200
7,5 mm (0.30 in.)	AM1DP200

NOTE: Do not use AM1ED200 and DZ5MB200

Module Mounting on a Panel Surface

Mounting Hole Layout



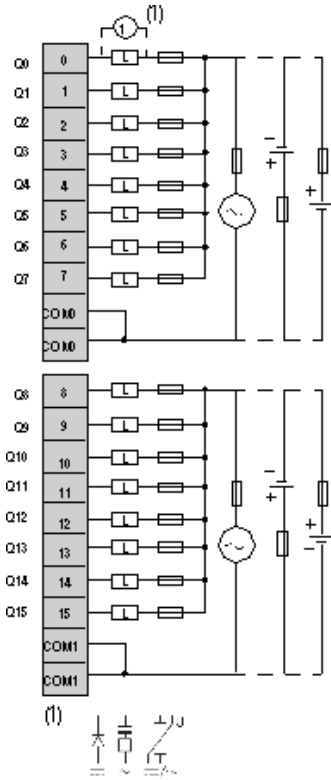
Wiring Requirements

Cable Types and Wire Sizes for Removable Screw Terminal Block

	mm ²	0,14...1,5	0,25...0,5	0,25...1,5	0,14...0,5	0,14...0,75	0,25...0,34	0,5
	AWG	26...16	24...20	24...16	26...20	26...18	24...22	20

Digital Relay Output Module (16-contact)

Wiring Diagram



L Load

Данный компонент на территории Российской Федерации

Вы можете приобрести в компании MosChip.

Для оперативного оформления запроса Вам необходимо перейти по данной ссылке:

<http://moschip.ru/get-element>

Вы можете разместить у нас заказ для любого Вашего проекта, будь то серийное производство или разработка единичного прибора.

В нашем ассортименте представлены ведущие мировые производители активных и пассивных электронных компонентов.

Нашей специализацией является поставка электронной компонентной базы двойного назначения, продукции таких производителей как XILINX, Intel (ex.ALTERA), Vicor, Microchip, Texas Instruments, Analog Devices, Mini-Circuits, Amphenol, Glenair.

Сотрудничество с глобальными дистрибьюторами электронных компонентов, предоставляет возможность заказывать и получать с международных складов практически любой перечень компонентов в оптимальные для Вас сроки.

На всех этапах разработки и производства наши партнеры могут получить квалифицированную поддержку опытных инженеров.

Система менеджмента качества компании отвечает требованиям в соответствии с ГОСТ Р ИСО 9001, ГОСТ РВ 0015-002 и ЭС РД 009

Офис по работе с юридическими лицами:

105318, г.Москва, ул.Щербаковская д.3, офис 1107, 1118, ДЦ «Щербаковский»

Телефон: +7 495 668-12-70 (многоканальный)

Факс: +7 495 668-12-70 (доб.304)

E-mail: info@moschip.ru

Skype отдела продаж:

moschip.ru

moschip.ru_4

moschip.ru_6

moschip.ru_9