

EVALUATION KIT
AVAILABLE

256-Tap, Nonvolatile, SPI-Interface, Digital Potentiometers

General Description

The MAX5422/MAX5423/MAX5424 nonvolatile, linear-taper, digital potentiometers perform the function of a mechanical potentiometer, but replace the mechanics with a simple 3-wire SPI™-compatible digital interface. Each device performs the same function as a discrete potentiometer or variable resistor and has 256 tap points.

The devices feature an internal, nonvolatile EEPROM used to store the wiper position for initialization during power-up. The 3-wire SPI-compatible serial interface allows communication at data rates up to 5MHz, minimizing board space and reducing interconnection complexity in many applications.

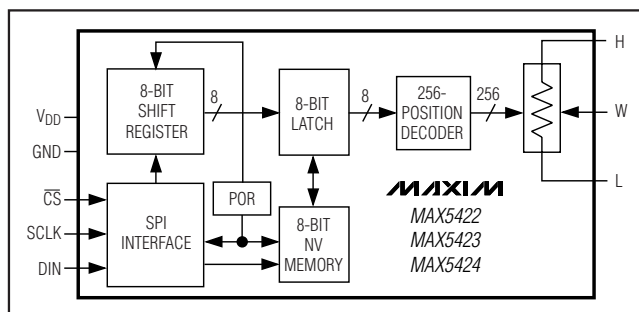
The MAX5422/MAX5423/MAX5424 provide three nominal resistance values: 50kΩ (MAX5422), 100kΩ (MAX5423), or 200kΩ (MAX5424). The nominal resistor temperature coefficient is 35ppm/°C end-to-end and only 5ppm/°C ratiometric. This makes the devices ideal for applications requiring a low-temperature-coefficient variable resistor, such as low-drift, programmable gain-amplifier circuit configurations.

The MAX5422/MAX5423/MAX5424 are available in a 3mm x 3mm 8-pin TDFN package, and are specified over the extended -40°C to +85°C temperature range.

Applications

Mechanical Potentiometer Replacement
Low-Drift Programmable Gain Amplifiers
Audio Volume Control
Liquid-Crystal Display (LCD) Contrast Control
Low-Drift Programmable Filters

Functional Diagram

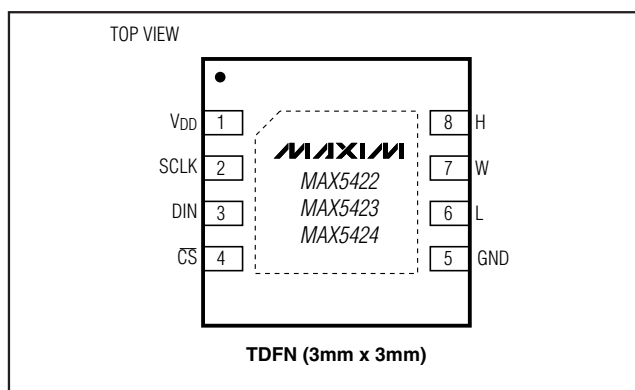


Features

- ◆ Wiper Position Stored in Nonvolatile Memory (EEPROM) and Recalled Upon Power-Up or Interface Command
- ◆ 3mm x 3mm x 0.8mm TDFN Package
- ◆ 35ppm/°C End-to-End Resistance Temperature Coefficient
- ◆ 5ppm/°C Ratiometric Temperature Coefficient
- ◆ 50kΩ, 100kΩ, and 200kΩ Resistor Values
- ◆ 5MHz SPI-Compatible Serial Interface
- ◆ 500nA (typ) Static Supply Current
- ◆ Single-Supply Operation: +2.7V to +5.25V
- ◆ 256 Tap Positions
- ◆ ±0.5 LSB DNL in Voltage-Divider Mode
- ◆ ±0.5 LSB INL in Voltage-Divider Mode

SPI is a trademark of Motorola, Inc.

Pin Configuration



Ordering Information/Selector Guide

PART	TEMP RANGE	END-TO-END RESISTANCE (kΩ)	PIN-PACKAGE	TOP MARK
MAX5422ETA	-40°C to +85°C	50	8 TDFN-EP*	AIJ
MAX5423ETA	-40°C to +85°C	100	8 TDFN-EP*	AIL
MAX5424ETA	-40°C to +85°C	200	8 TDFN-EP*	AIH

*EP = Exposed pad.



Maxim Integrated Products 1

For pricing, delivery, and ordering information, please contact Maxim/Dallas Direct! at 1-888-629-4642, or visit Maxim's website at www.maxim-ic.com.

MAX5422/MAX5423/MAX5424

256-Tap, Nonvolatile, SPI-Interface, Digital Potentiometers

ABSOLUTE MAXIMUM RATINGS

V _{DD} to GND	-0.3V to +6.0V	Continuous Power Dissipation (T _A = +70°C)	
All Other Pins to GND.....	-0.3V to (V _{DD} + 0.3V)	8-Pin TDFN (derate 24.4mW/°C above +70°C)	1951mW
Maximum Continuous Current into H, L, and W		Operating Temperature Range	-40°C to +85°C
MAX5422.....	±1.3mA	Junction Temperature	+150°C
MAX5423.....	±0.6mA	Storage Temperature Range	-60°C to +150°C
MAX5424.....	±0.3mA	Lead Temperature (soldering, 10s)	+300°C

Stresses beyond those listed under "Absolute Maximum Ratings" may cause permanent damage to the device. These are stress ratings only, and functional operation of the device at these or any other conditions beyond those indicated in the operational sections of the specifications is not implied. Exposure to absolute maximum rating conditions for extended periods may affect device reliability.

ELECTRICAL CHARACTERISTICS

(V_{DD} = +2.7V to +5.25V, H = V_{DD}, L = GND, T_A = -40°C to +85°C. Typical values are at V_{DD} = +5.0V, T_A = +25°C, unless otherwise noted.)

PARAMETER	SYMBOL	CONDITIONS	MIN	TYP	MAX	UNITS
DC PERFORMANCE (VOLTAGE-DIVIDER MODE)						
Resolution	N		256			Taps
Integral Nonlinearity	INL	(Note 1)			±0.5	LSB
Differential Nonlinearity	DNL	(Note 1)			±0.5	LSB
End-to-End Resistance Temperature Coefficient	TC _R			35		ppm/°C
Ratiometric Resistance Temperature Coefficient				5		ppm/°C
Full-Scale Error		MAX5422		-0.6		LSB
		MAX5423		-0.3		
		MAX5424		-0.15		
Zero-Scale Error		MAX5422		0.7		LSB
		MAX5423		0.35		
		MAX5424		0.18		
DC PERFORMANCE (VARIABLE-RESISTOR MODE)						
Integral Nonlinearity (Note 2)	INL	V _{DD} = 3V			±3.0	LSB
		V _{DD} = 5V			±1.5	
Differential Nonlinearity (Note 2)	DNL	V _{DD} = 3V, MAX5422, -40°C ≤ T _A ≤ +85°C, guaranteed monotonic	-1.0		+2.0	LSB
		V _{DD} = 3V, MAX5422, 0°C ≤ T _A ≤ +85°C, guaranteed monotonic	-1.0		+1.2	
		V _{DD} = 3V, MAX5423			±1.0	
		V _{DD} = 3V, MAX5424			±1.0	
		V _{DD} = 5V			±1.0	
DC PERFORMANCE (RESISTOR CHARACTERISTICS)						
Wiper Resistance	R _W	V _{DD} = 3V to 5.25V (Note 3)		325	675	Ω
Wiper Capacitance	C _W			10		pF
End-to-End Resistance		MAX5422	37.5	50	62.5	kΩ
		MAX5423	75	100	125	
		MAX5424	150	200	250	

256-Tap, Nonvolatile, SPI-Interface, Digital Potentiometers

MAX5422/MAX5423/MAX5424

ELECTRICAL CHARACTERISTICS (continued)

($V_{DD} = +2.7V$ to $+5.25V$, $H = V_{DD}$, $L = GND$, $T_A = -40^{\circ}C$ to $+85^{\circ}C$. Typical values are at $V_{DD} = +5.0V$, $T_A = +25^{\circ}C$, unless otherwise noted.)

PARAMETER	SYMBOL	CONDITIONS	MIN	TYP	MAX	UNITS
DIGITAL INPUTS (\overline{CS}, DIN, SCLK)						
Input High Voltage (Note 4)	V_{IH}	$V_{DD} = 3.4V$ to $5.25V$	2.4			V
		$V_{DD} < 3.4V$	$0.7 \times V_{DD}$			
Input Low Voltage	V_{IL}	$V_{DD} = 2.7V$ to $5.25V$ (Note 4)	0.8			V
Input Leakage Current	I_{IN}			± 0.1	± 1	μA
Input Capacitance	C_{IN}			5		pF
DYNAMIC CHARACTERISTICS						
Wiper -3dB Bandwidth (Note 5)		MAX5422	100			kHz
		MAX5423	50			
		MAX5424	25			
NONVOLATILE MEMORY RELIABILITY						
Data Retention		$T_A = +85^{\circ}C$	50			Years
Endurance		$T_A = +25^{\circ}C$	200,000			Stores
		$T_A = +85^{\circ}C$	50,000			
POWER SUPPLY						
Supply Voltage	V_{DD}		2.70		5.25	V
Standby Current	I_{DD}	Digital inputs = V_{DD} or GND, $T_A = +25^{\circ}C$		0.5	1	μA
Programming Current	I_{PG}	During nonvolatile write to memory; digital inputs = V_{DD} or GND (Note 6)		200	400	μA

TIMING CHARACTERISTICS

($V_{DD} = +2.7V$ to $+5.25V$, $H = V_{DD}$, $L = GND$, $T_A = -40^{\circ}C$ to $+85^{\circ}C$. Typical values are at $V_{DD} = +5.0V$, $T_A = +25^{\circ}C$, unless otherwise noted. See Figure 1.) (Note 7)

PARAMETER	SYMBOL	CONDITIONS	MIN	TYP	MAX	UNITS
ANALOG SECTION						
Wiper Settling Time (Note 8)	t_s	MAX5422	400			ns
		MAX5423	600			
		MAX5424	1000			
DIGITAL SECTION						
SCLK Frequency	f_{SCLK}				5	MHz
SCLK Clock Period	t_{CP}		200			ns
SCLK Pulse-Width High	t_{CH}		80			ns
SCLK Pulse-Width Low	t_{CL}		80			ns
\overline{CS} Fall to SCLK Rise Setup	t_{CSS}		80			ns
SCLK Rise to \overline{CS} Rise Hold	t_{CSH}		0			ns
DIN to SCLK Setup	t_{DS}		50			ns

256-Tap, Nonvolatile, SPI-Interface, Digital Potentiometers

TIMING CHARACTERISTICS (continued)

($V_{DD} = +2.7V$ to $+5.25V$, $H = V_{DD}$, $L = GND$, $T_A = -40^{\circ}C$ to $+85^{\circ}C$. Typical values are at $V_{DD} = +5.0V$, $T_A = +25^{\circ}C$, unless otherwise noted. See Figure 1.) (Note 7)

PARAMETER	SYMBOL	CONDITIONS	MIN	TYP	MAX	UNITS
DIN Hold after SCLK	t_{DH}		0			ns
SCLK Rise to \overline{CS} Fall Delay	t_{CS0}		20			ns
\overline{CS} Rise to SCLK Rise Hold	t_{CS1}		80			ns
\overline{CS} Pulse-Width High	t_{CSW}		200			ns
Write NV Register Busy Time	t_{BUSY}				12	ms

Note 1: The DNL and INL are measured with the potentiometer configured as a voltage-divider with $H = V_{DD}$ and $L = GND$. The wiper terminal is unloaded and measured with a high-input-impedance voltmeter.

Note 2: The DNL and INL are measured with the potentiometer configured as a variable resistor. H is unconnected and $L = GND$. For the 5V condition, the wiper terminal is driven with a source current of $80\mu A$ for the $50k\Omega$ configuration, $40\mu A$ for the $100k\Omega$ configuration, and $20\mu A$ for the $200k\Omega$ configuration. For the 3V condition, the wiper terminal is driven with a source current of $40\mu A$ for the $50k\Omega$ configuration, $20\mu A$ for the $100k\Omega$, and $10\mu A$ for the $200k\Omega$ configuration.

Note 3: The wiper resistance is measured using the source currents given in Note 2. For operation to $V_{DD} = 2.7V$, see Maximum Wiper Resistance vs. Temperature in the *Typical Operating Characteristics*.

Note 4: The device draws higher supply current when the digital inputs are driven with voltages between $(V_{DD} - 0.5V)$ and $(GND + 0.5V)$. See Supply Current vs. Digital Input Voltage in the *Typical Operating Characteristics*.

Note 5: Wiper at midscale with a $10pF$ load (DC measurement). $L = GND$; an AC source is applied to H ; and the W output is measured. A 3dB bandwidth occurs when the AC W/H value is 3dB lower than the DC W/H value.

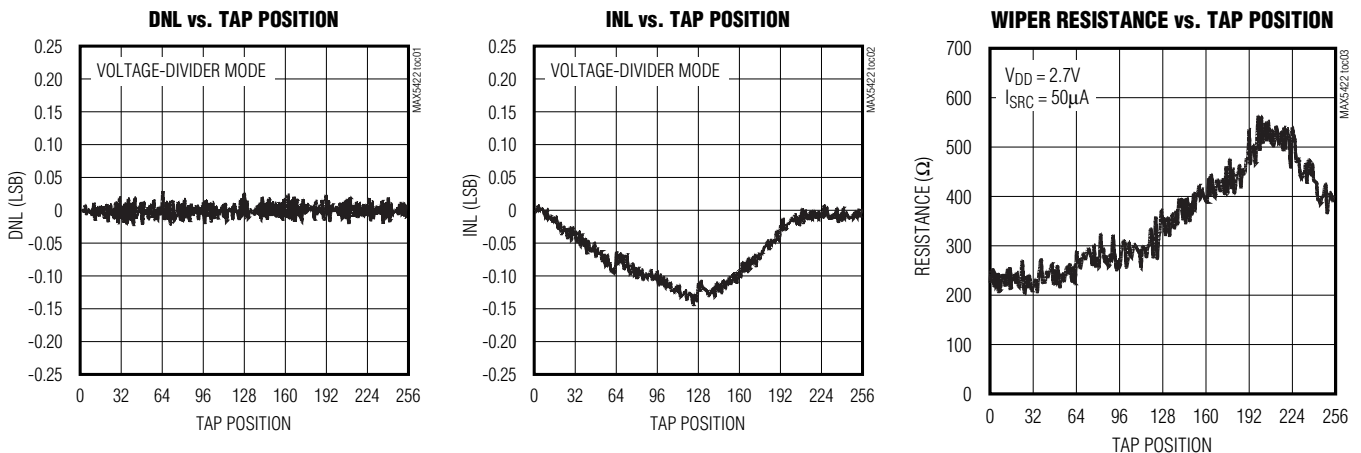
Note 6: The programming current operates only during power-up and NV writes.

Note 7: Digital timing is guaranteed by design and characterization, and is not production tested.

Note 8: Wiper-settling time is the worst-case 0% to 50% rise-time measured between consecutive wiper positions. $H = V_{DD}$, $L = GND$, and the wiper terminal is unloaded and measured with a $10pF$ oscilloscope probe.

Typical Operating Characteristics

($V_{DD} = 5.0V$, $T_A = +25^{\circ}C$, unless otherwise noted.)

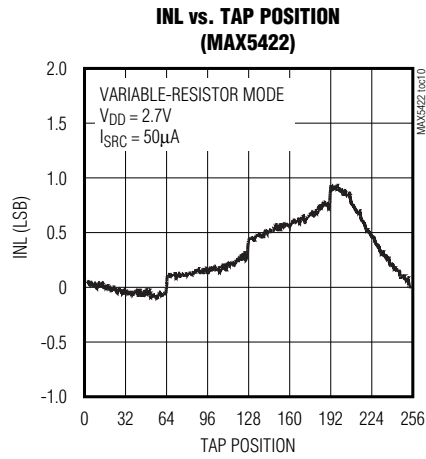
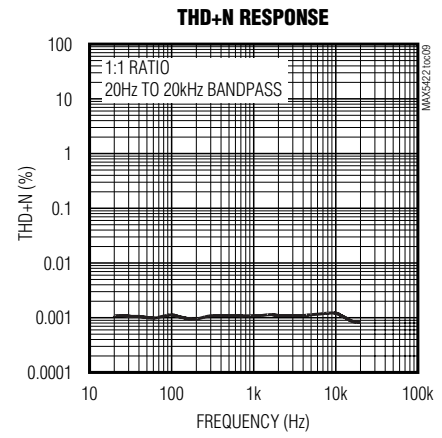
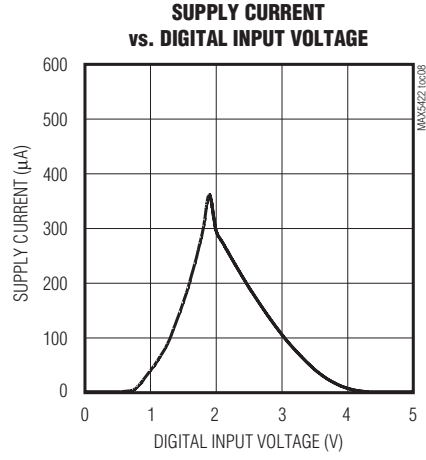
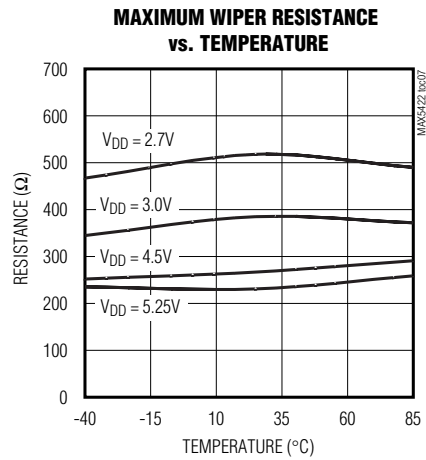
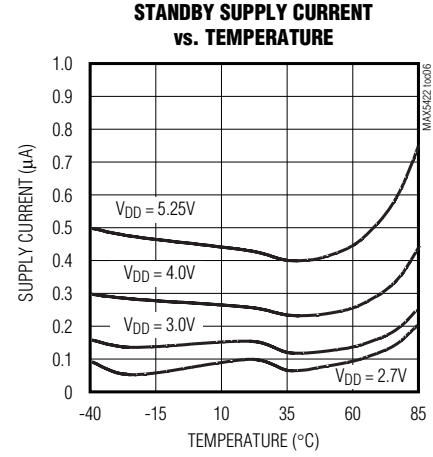
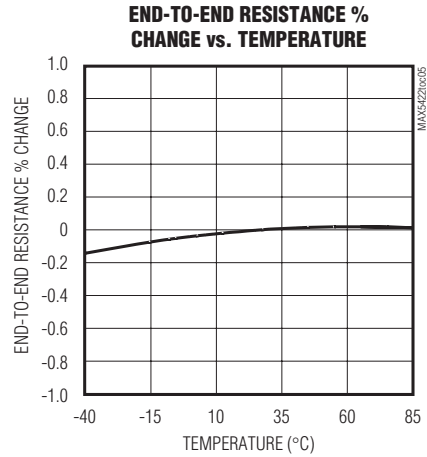
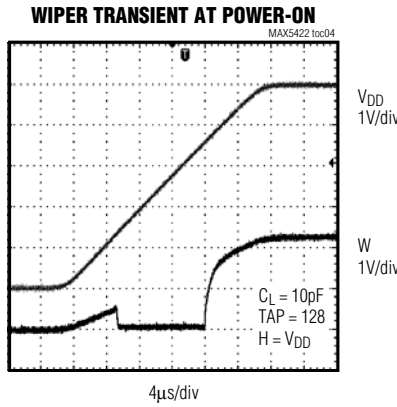


256-Tap, Nonvolatile, SPI-Interface, Digital Potentiometers

Typical Operating Characteristics (continued)

($V_{DD} = 5.0V$, $T_A = +25^\circ C$, unless otherwise noted.)

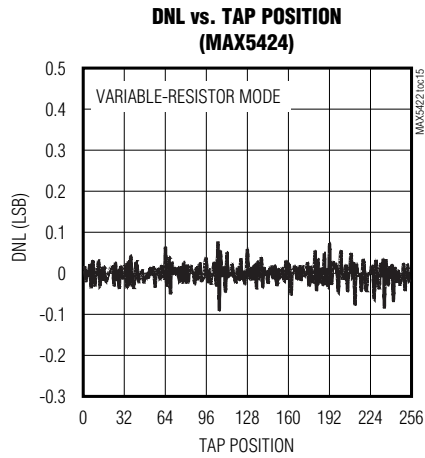
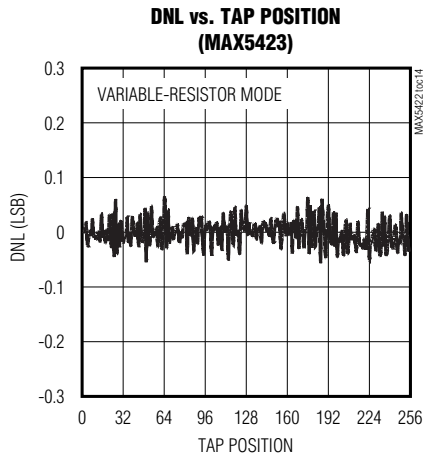
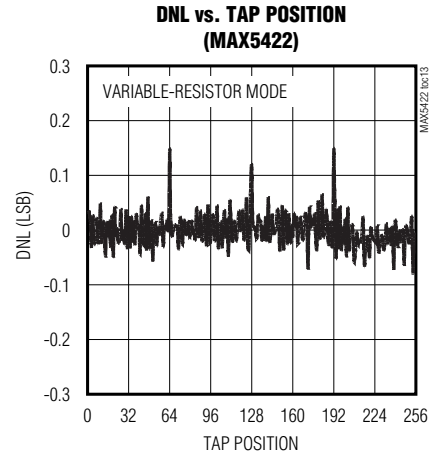
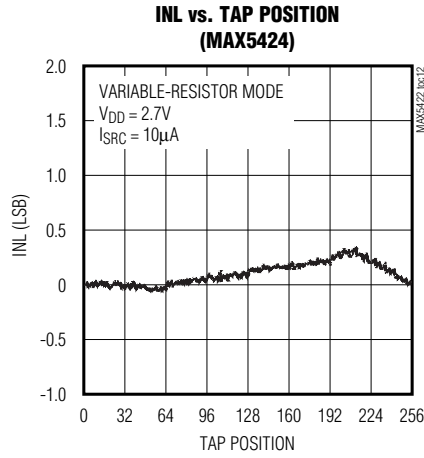
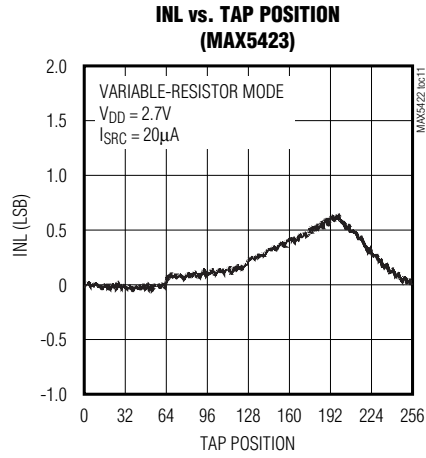
MAX5422/MAX5423/MAX5424



256-Tap, Nonvolatile, SPI-Interface, Digital Potentiometers

Typical Operating Characteristics (continued)

($V_{DD} = 5.0V$, $T_A = +25^\circ C$, unless otherwise noted.)



256-Tap, Nonvolatile, SPI-Interface, Digital Potentiometers

Pin Description

PIN	NAME	FUNCTION
1	V _{DD}	Power-Supply Input. Bypass V _{DD} with a 0.1μF capacitor from V _{DD} to GND.
2	SCLK	Serial-Interface Clock Input
3	DIN	Serial-Interface Data Input
4	\overline{CS}	Active-Low Digital-Input Chip Select
5	GND	Ground
6	L	Low Terminal. The voltage at L can be greater than or less than the voltage at H. Current can flow into or out of L.
7	W	Wiper Terminal
8	H	High Terminal. The voltage at H can be greater than or less than the voltage at L. Current can flow into or out of H.
—	EP	Exposed Pad. The exposed pad is not internally connected. Connect to GND or leave floating.

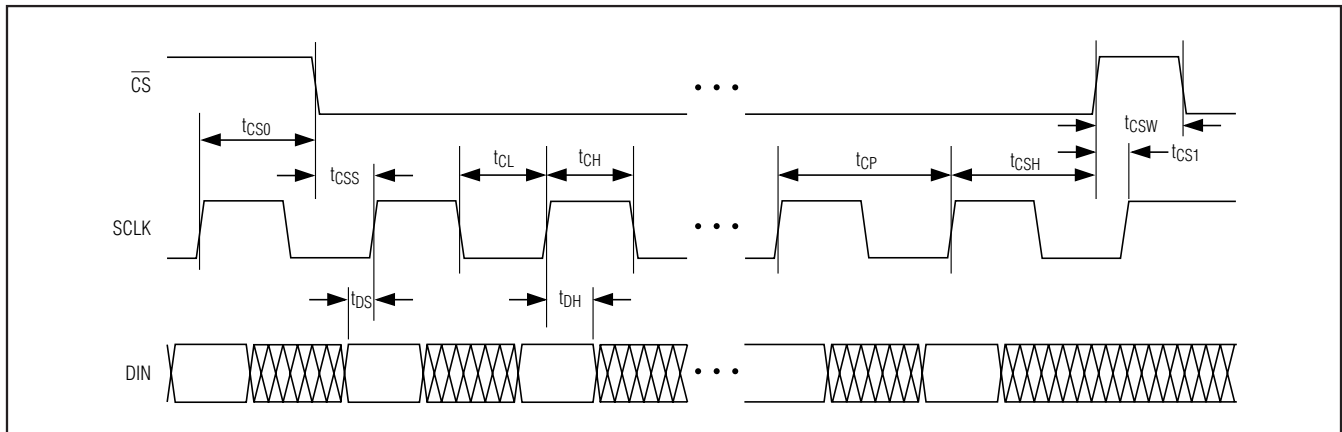


Figure 1. Digital Interface and Timing Diagram

Detailed Description

The MAX5422/MAX5423/MAX5424 contain a resistor array with 255 resistive elements. The MAX5422 has a total end-to-end resistance of 50kΩ; the MAX5423 has an end-to-end resistance of 100kΩ; and the MAX5424 has an end-to-end resistance of 200kΩ. The MAX5422/MAX5423/MAX5424 allow access to the high, low, and wiper terminals for a standard voltage-divider configuration. H, L, and W can be connected in any desired configuration as long as their voltages fall between GND and V_{DD}.

A simple, 3-wire, SPI serial interface moves the wiper among the 256 tap points. The nonvolatile memory stores the wiper position and recalls the stored wiper position upon power-up. The nonvolatile memory is guaranteed for 50 years for wiper data retention and up to 200,000 wiper store cycles.

Analog Circuitry

The MAX5422/MAX5423/MAX5424 consist of a resistor array with 255 resistive elements; 256 tap points are accessible to the wiper, W, along the resistor string between H and L. Select the wiper tap point by programming the potentiometer through the 3-wire (SPI) interface. Eight data bits, and a control byte program the wiper position. The H and L terminals of the MAX5422/MAX5423/MAX5424 are similar to the two end terminals of a mechanical potentiometer. The MAX5422/MAX5423/MAX5424 feature power-on reset circuitry that loads the wiper position from the nonvolatile memory at power-up.

Digital Interface

The MAX5422/MAX5423/MAX5424 use a 3-wire, SPI-compatible, serial data interface (Figure 1 and 2). This write-only interface contains three inputs: chip-select

256-Tap, Nonvolatile, SPI-Interface, Digital Potentiometers

(\overline{CS}), data clock (SCLK), and data in (DIN). Drive \overline{CS} low to enable the serial interface and clock data synchronously into the shift register on each SCLK rising edge.

The WRITE commands (C1, C0 = 00 or 01) require 16 clock cycles to clock in the command and data (Figure 2a). The COPY commands (C1, C0 = 10, 11) can use either eight clock cycles to transfer the command bits (Figure 2b) or 16 clock cycles with 8 data bits that are disregarded by the device (Figure 2a).

After loading data into the shift register, drive \overline{CS} high to latch the data into the appropriate potentiometer control register and disable the serial interface. Keep \overline{CS} low during the entire serial-data stream to avoid corruption of the data.

The serial-data timing for the potentiometer is shown in Figures 1 and 2.

Table 1. Register Map

CLOCK EDGE	1	2	3	4	5	6	7	8	9	10	11	12	13	14	15	16
Bit name	—	—	C1	C0	—	—	—	—	D7	D6	D5	D4	D3	D2	D1	D0
Write wiper register	0	0	0	0	0	0	0	0	D7	D6	D5	D4	D3	D2	D1	D0
Write NV register	0	0	0	1	0	0	0	0	D7	D6	D5	D4	D3	D2	D1	D0
Copy wiper register to NV register	0	0	1	0	0	0	0	0	—	—	—	—	—	—	—	—
Copy NV register to wiper register	0	0	1	1	0	0	0	0	—	—	—	—	—	—	—	—

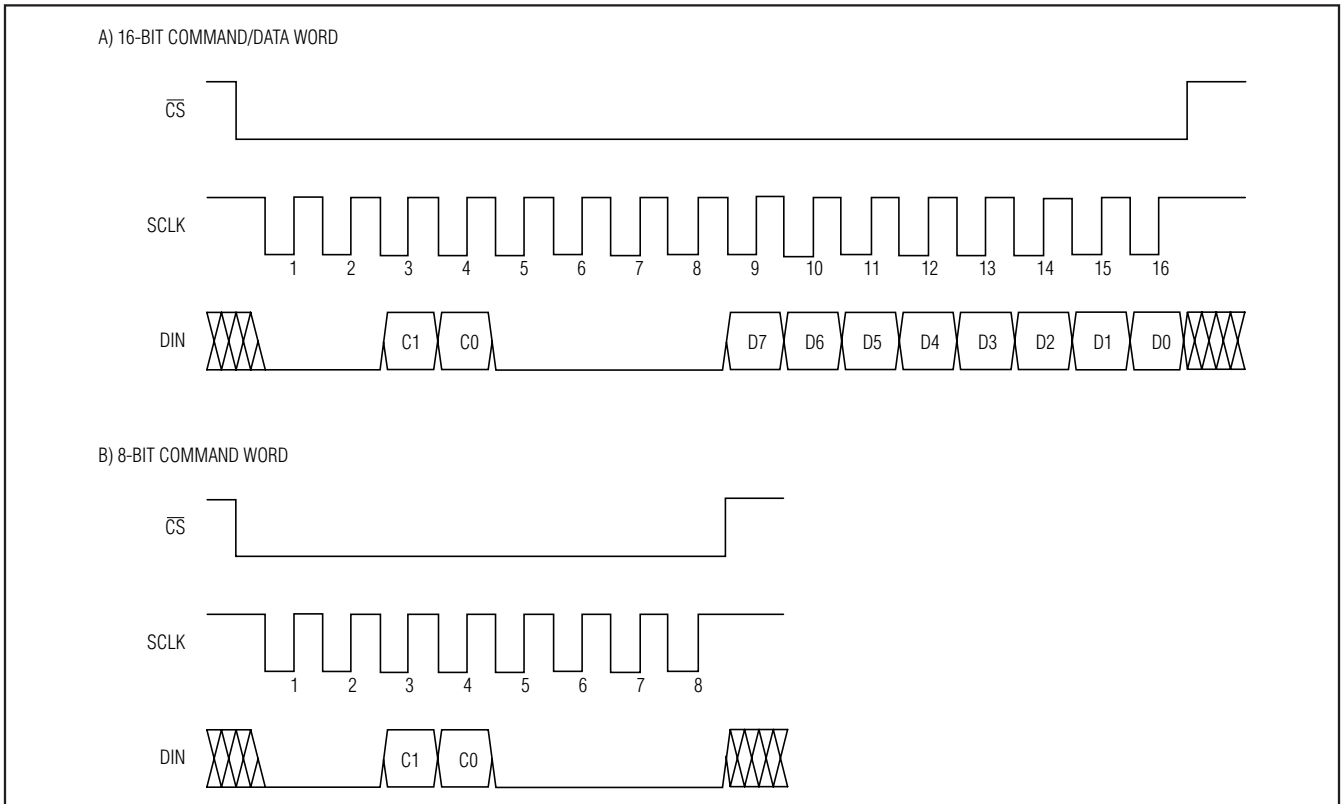


Figure 2. Digital-Interface Format

256-Tap, Nonvolatile, SPI-Interface, Digital Potentiometers

Write Wiper Register

Data written to this register (C1, C0 = 00) controls the wiper positions. The 8 data bits (D7 to D0) indicate the position of the wiper. For example, if DIN = 0000 0000, the wiper moves to the position closest to L. If DIN = 1111 1111, the wiper moves closest to H.

This command writes data to the volatile random access memory (RAM), leaving the NV registers unchanged. When the device powers up, the data stored in the NV registers transfers to the volatile wiper register, moving the wiper to the stored position.

Write NV Register

The “write NV register” command (C1, C0 = 01) stores the position of the wipers to the NV registers for use at power-up. Alternatively, the “copy wiper register to NV register” command writes to the NV register. Writing to the NV registers, does not affect the position of the wipers.

Copy Wiper Register to NV Register

The “copy wiper register to NV register” command (C1, C0 = 10) stores the current position of the wiper to the NV register for use at power-up.

Copy NV Register to Wiper Register

The “copy NV register to wiper register” (C1, C0 = 11) restores the wiper position to the current value stored in the NV register.

Standby Mode

The MAX5422/MAX5423/MAX5424 feature a low-power standby mode. When the device is not being pro-

grammed, it enters into standby mode and supply current drops to 0.5µA (typ).

Nonvolatile Memory

The internal EEPROM consists of a nonvolatile register that retains the last value stored prior to power-down. The nonvolatile register is programmed to midscale at the factory. The nonvolatile memory is guaranteed for 50 years for wiper data retention and up to 200,000 wiper write cycles.

Power-Up

Upon power-up, the MAX5422/MAX5423/MAX5424 load the data stored in the nonvolatile wiper register into the volatile wiper register, updating the wiper position with the data stored in the nonvolatile wiper register. This initialization period takes 10µs.

Applications Information

The MAX5422/MAX5423/MAX5424 are intended for circuits requiring digitally controlled adjustable resistance, such as LCD contrast control (where voltage biasing adjusts the display contrast), or programmable filters with adjustable gain and/or cutoff frequency.

Positive LCD Bias Control

Figures 3 and 4 show an application where a voltage-divider or variable resistor is used to make an adjustable, positive LCD-bias voltage. The op amp provides buffering and gain to the resistor-divider network made by the potentiometer (Figure 3) or to a fixed resistor and a variable resistor (see Figure 4).

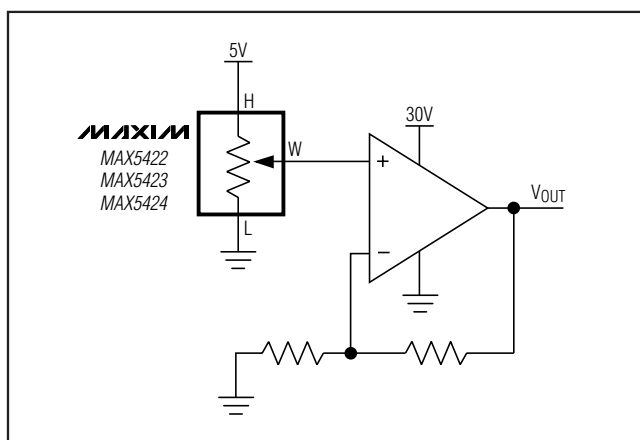


Figure 3. Positive LCD-Bias Control Using a Voltage-Divider

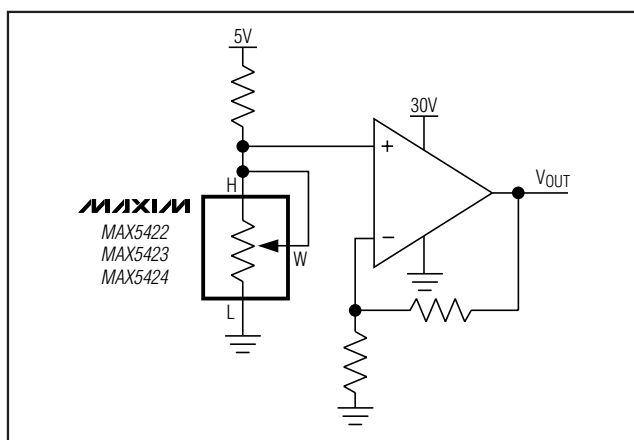


Figure 4. Positive LCD-Bias Control Using a Variable Resistor

256-Tap, Nonvolatile, SPI-Interface, Digital Potentiometers

Programmable Filter

Figure 5 shows the configuration for a 1st-order programmable filter. The gain of the filter is adjusted by R2, and the cutoff frequency is adjusted by R3. Use the following equations to calculate the DC gain (G) and the 3dB cutoff frequency (f_C):

$$G = 1 + \frac{R1}{R2}$$

$$f_C = \frac{1}{2\pi \times R3 \times C}$$

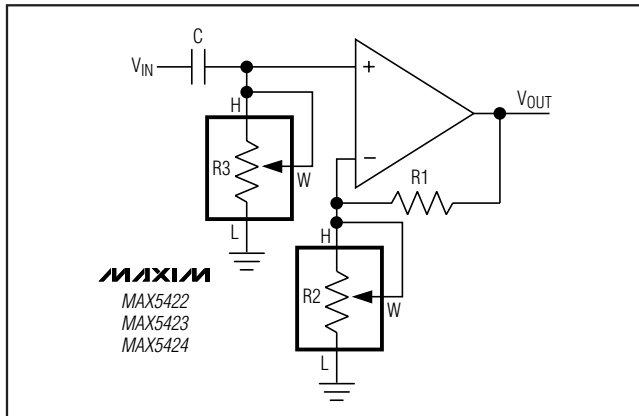


Figure 5. Programmable Filter

Adjustable Voltage Reference

Figure 6 shows the MAX5422/MAX5423/MAX5424 used as the feedback resistors in an adjustable voltage-reference application. Independently adjust the output voltage of the MAX6160 from 1.23V to V_{IN} - 0.2V by changing the wiper position of the MAX5422/MAX5423/MAX5424.

Offset Voltage and Gain Adjustment

Connect the high and low terminals of one potentiometer of a MAX5422/MAX5423/MAX5424 between the NULL inputs of a MAX410 and the wiper to the op amp's positive supply to nullify the offset voltage over the operating temperature range. Install another MAX5422/MAX5423/MAX5424 potentiometer in the feedback path to adjust the gain of the MAX410 (see Figure 7).

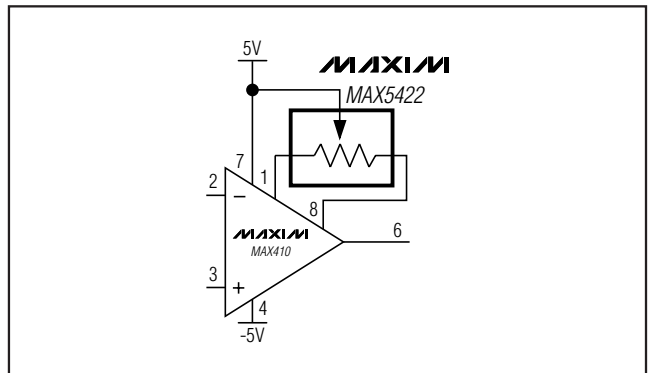


Figure 7. Offset Voltage Adjustment Circuit

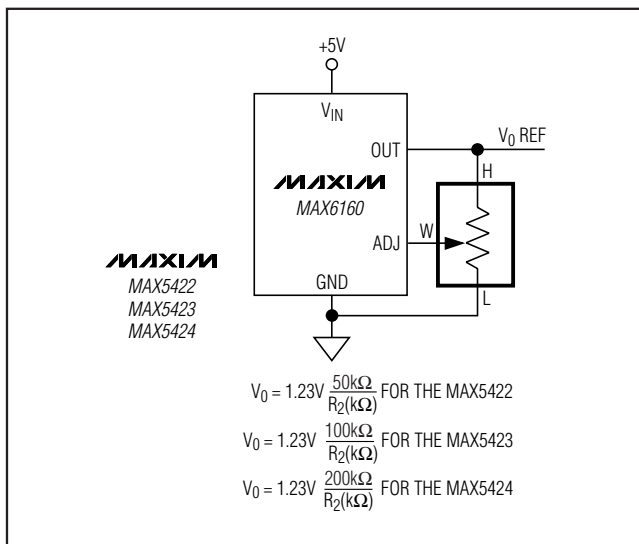


Figure 6. Adjustable Voltage Reference

Chip Information

TRANSISTOR COUNT: 10,191

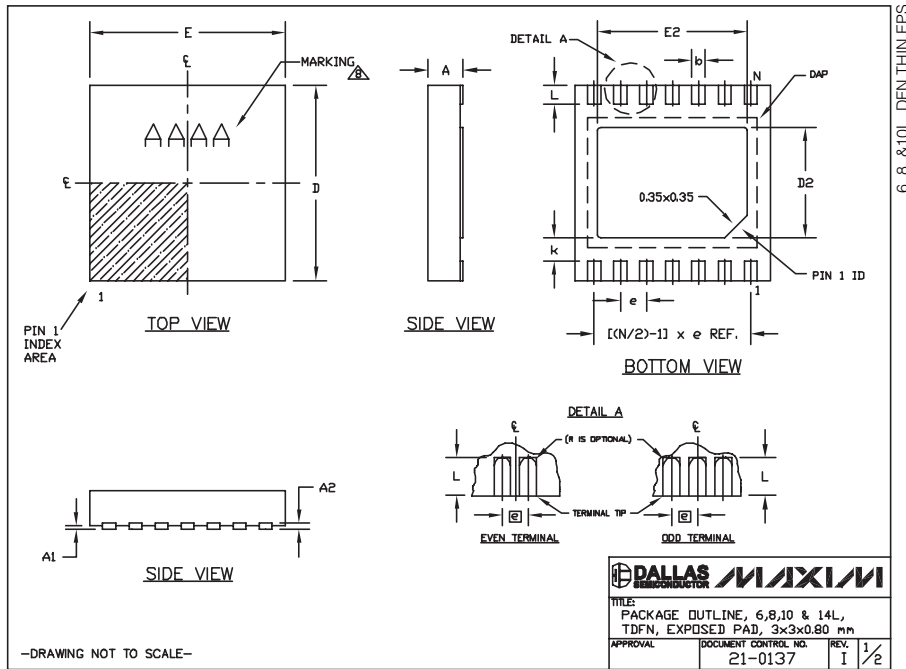
PROCESS: BiCMOS

256-Tap, Nonvolatile, SPI-Interface, Digital Potentiometers

Package Information

(The package drawing(s) in this data sheet may not reflect the most current specifications. For the latest package outline information, go to www.maxim-ic.com/packages.)

MAX5422/MAX5423/MAX5424



COMMON DIMENSIONS			PACKAGE VARIATIONS								
SYMBOL	MIN.	MAX.	PKG. CODE	N	D2	E2	e	JEDEC SPEC	b	[(N/2)-1] x e	
A	0.70	0.80	T633-2	6	1.50±0.10	2.30±0.10	0.95 BSC	MO229 / WEEA	0.40±0.05	1.90 REF	
D	2.90	3.10	T833-2	8	1.50±0.10	2.30±0.10	0.65 BSC	MO229 / WEEC	0.30±0.05	1.95 REF	
E	2.90	3.10	T833-3	8	1.50±0.10	2.30±0.10	0.65 BSC	MO229 / WEEC	0.30±0.05	1.95 REF	
A1	0.00	0.05	T1033-1	10	1.50±0.10	2.30±0.10	0.50 BSC	MO229 / WEED-3	0.25±0.05	2.00 REF	
L	0.20	0.40	T1033-2	10	1.50±0.10	2.30±0.10	0.50 BSC	MO229 / WEED-3	0.25±0.05	2.00 REF	
k	0.25 MIN.		T1433-1	14	1.70±0.10	2.30±0.10	0.40 BSC	----	0.20±0.05	2.40 REF	
A2	0.20 REF.		T1433-2	14	1.70±0.10	2.30±0.10	0.40 BSC	----	0.20±0.05	2.40 REF	

NOTES:
 1. ALL DIMENSIONS ARE IN mm. ANGLES IN DEGREES.
 2. COPLANARITY SHALL NOT EXCEED 0.08 mm.
 3. WARPAGE SHALL NOT EXCEED 0.10 mm.
 4. PACKAGE LENGTH/PACKAGE WIDTH ARE CONSIDERED AS SPECIAL CHARACTERISTIC(S).
 5. DRAWING CONFORMS TO JEDEC MO229, EXCEPT DIMENSIONS "D2" AND "E2", AND T1433-1 & T1433-2.
 6. "N" IS THE TOTAL NUMBER OF LEADS.
 7. NUMBER OF LEADS SHOWN ARE FOR REFERENCE ONLY.
 8. MARKING IS FOR PACKAGE ORIENTATION REFERENCE ONLY.

-DRAWING NOT TO SCALE-

	<p>TITLE: PACKAGE OUTLINE, 6,8,10 & 14L, TDFN, EXPOSED PAD, 3x3x0.80 mm</p> <p>APPROVAL: DOCUMENT CONTROL NO. 21-0137 REV. I 2/2</p>
--	--

Maxim cannot assume responsibility for use of any circuitry other than circuitry entirely embodied in a Maxim product. No circuit patent licenses are implied. Maxim reserves the right to change the circuitry and specifications without notice at any time.

Maxim Integrated Products, 120 San Gabriel Drive, Sunnyvale, CA 94086 408-737-7600 _____ 11

Данный компонент на территории Российской Федерации

Вы можете приобрести в компании MosChip.

Для оперативного оформления запроса Вам необходимо перейти по данной ссылке:

<http://moschip.ru/get-element>

Вы можете разместить у нас заказ для любого Вашего проекта, будь то серийное производство или разработка единичного прибора.

В нашем ассортименте представлены ведущие мировые производители активных и пассивных электронных компонентов.

Нашей специализацией является поставка электронной компонентной базы двойного назначения, продукции таких производителей как XILINX, Intel (ex.ALTERA), Vicor, Microchip, Texas Instruments, Analog Devices, Mini-Circuits, Amphenol, Glenair.

Сотрудничество с глобальными дистрибьюторами электронных компонентов, предоставляет возможность заказывать и получать с международных складов практически любой перечень компонентов в оптимальные для Вас сроки.

На всех этапах разработки и производства наши партнеры могут получить квалифицированную поддержку опытных инженеров.

Система менеджмента качества компании отвечает требованиям в соответствии с ГОСТ Р ИСО 9001, ГОСТ РВ 0015-002 и ЭС РД 009

Офис по работе с юридическими лицами:

105318, г.Москва, ул.Щербаковская д.3, офис 1107, 1118, ДЦ «Щербаковский»

Телефон: +7 495 668-12-70 (многоканальный)

Факс: +7 495 668-12-70 (доб.304)

E-mail: info@moschip.ru

Skype отдела продаж:

moschip.ru

moschip.ru_4

moschip.ru_6

moschip.ru_9