

16 Mbit (x16) Multi-Purpose Flash Plus

SST39WF1601 / SST39WF1602



EOL Data Sheet

FEATURES:

- **Organized as 1M x16**
- **Single Voltage Read and Write Operations**
 - 1.65-1.95V
- **Superior Reliability**
 - Endurance: 100,000 Cycles (Typical)
 - Greater than 100 years Data Retention
- **Low Power Consumption (typical values at 5 MHz)**
 - Active Current: 5 mA (typical)
 - Standby Current: 5 μ A (typical)
 - Auto Low Power Mode: 5 μ A (typical)
- **Hardware Block-Protection/WP# Input Pin**
 - Top Block-Protection (top 32 KWord) for SST39WF1602
 - Bottom Block-Protection (bottom 32 KWord) for SST39WF1601
- **Sector-Erase Capability**
 - Uniform 2 KWord sectors
- **Block-Erase Capability**
 - Uniform 32 KWord blocks
- **Chip-Erase Capability**
- **Erase-Suspend/Erase-Resume Capabilities**
- **Hardware Reset Pin (RST#)**
- **Security-ID Feature**
 - SST: 128 bits; User: 128 bits
- **Fast Read Access Time:**
 - 70 ns
- **Latched Address and Data**
- **Fast Erase and Word-Program:**
 - Sector-Erase Time: 36 ms (typical)
 - Block-Erase Time: 36 ms (typical)
 - Chip-Erase Time: 140 ms (typical)
 - Word-Program Time: 28 μ s (typical)
- **Automatic Write Timing**
 - Internal V_{PP} Generation
- **End-of-Write Detection**
 - Toggle Bits
 - Data# Polling
- **CMOS I/O Compatibility**
- **JEDEC Standard**
 - Flash EEPROM Pin Assignments and Command Sets
- **Packages Available**
 - 48-ball WFBGA (5mm x 6mm)
- **All non-Pb (lead-free) devices are RoHS compliant**

PRODUCT DESCRIPTION

The SST39WF1601/1602 devices are 1M x16 CMOS Multi-Purpose Flash Plus (MPF+) manufactured with SST's proprietary, high-performance CMOS SuperFlash technology. The split-gate cell design and thick-oxide tunneling injector attain better reliability and manufacturability compared with alternate approaches. The SST39WF1601/1602 write (Program or Erase) with a 1.65-1.95V power supply. These devices conform to JEDEC standard pin assignments for x16 memories.

Featuring high performance Word-Program, the SST39WF1601/1602 devices provide a typical Word-Program time of 28 μ sec. These devices use Toggle Bit or Data# Polling to indicate the completion of Program operation. To protect against inadvertent write, they have on-chip hardware and Software Data Protection schemes. Designed, manufactured, and tested for a wide spectrum of applications, these devices are offered with a guaranteed typical endurance of 100,000 cycles. Data retention is rated at greater than 100 years.

The SST39WF1601/1602 devices are suited for applications that require convenient and economical updating of

program, configuration, or data memory. For all system applications, they significantly improve performance and reliability, while lowering power consumption. They inherently use less energy during Erase and Program than alternative flash technologies. The total energy consumed is a function of the applied voltage, current, and time of application. Since for any given voltage range, the SuperFlash technology uses less current to program and has a shorter erase time, the total energy consumed during any Erase or Program operation is less than alternative flash technologies. These devices also improve flexibility while lowering the cost for program, data, and configuration storage applications.

The SuperFlash technology provides fixed Erase and Program times, independent of the number of Erase/Program cycles that have occurred. Therefore the system software or hardware does not have to be modified or de-rated as is necessary with alternative flash technologies, whose Erase and Program times increase with accumulated Erase/Program cycles.



EOL Data Sheet

To meet high density, surface mount requirements, the SST39WF1601/1602 are offered in a 48-ball WFBGA packages. See Figure 2 for pin assignments.

Device Operation

Commands are used to initiate the memory operation functions of the device. Commands are written to the device using standard microprocessor write sequences. A command is written by asserting WE# low while keeping CE# low. The address bus is latched on the falling edge of WE# or CE#, whichever occurs last. The data bus is latched on the rising edge of WE# or CE#, whichever occurs first.

The SST39WF1601/1602 also have the **Auto Low Power** mode which puts the device in a near standby mode after data has been accessed with a valid Read operation. This reduces the I_{DD} active read current from typically 9 mA to typically 5 μ A. The Auto Low Power mode reduces the typical I_{DD} active read current to the range of 2 mA/MHz of Read cycle time. The device exits the Auto Low Power mode with any address transition or control signal transition used to initiate another Read cycle, with no access time penalty. Note that the device does not enter Auto-Low Power mode after power-up with CE# held steadily low, until the first address transition or CE# is driven high.

Read

The Read operation of the SST39WF1601/1602 is controlled by CE# and OE#, both have to be low for the system to obtain data from the outputs. CE# is used for device selection. When CE# is high, the chip is deselected and only standby power is consumed. OE# is the output control and is used to gate data from the output pins. The data bus is in high impedance state when either CE# or OE# is high. Refer to the Read cycle timing diagram for further details (Figure 3).

Word-Program Operation

The SST39WF1601/1602 are programmed on a word-by-word basis. Before programming, the sector where the word exists must be fully erased. The Program operation is accomplished in three steps. The first step is the three-byte load sequence for Software Data Protection. The second step is to load word address and word data. During the Word-Program operation, the addresses are latched on the falling edge of either CE# or WE#, whichever occurs last. The data is latched on the rising edge of either CE# or WE#, whichever occurs first. The third step is the internal Program operation which is initiated after the rising edge of the fourth WE# or CE#, whichever occurs first. The Program operation, once initiated, will be completed within 40 μ s. See Figures 4 and 5 for WE# and CE# controlled Program operation timing diagrams and Figure 19 for flowcharts. During the Program operation, the only valid reads are Data# Polling and Toggle Bit. During the internal Program operation, the host is free to perform additional tasks. Any commands issued during the internal Program operation are ignored. During the command sequence, WP# should be statically held high or low.

Sector/Block-Erase Operation

The Sector- (or Block-) Erase operation allows the system to erase the device on a sector-by-sector (or block-by-block) basis. The SST39WF1601/1602 offer both Sector-Erase and Block-Erase modes. The sector architecture is based on uniform sector size of 2 KWord. The Block-Erase mode is based on uniform block size of 32 KWord. The Sector-Erase operation is initiated by executing a six-byte command sequence with Sector-Erase command (30H) and sector address (SA) in the last bus cycle. The Block-Erase operation is initiated by executing a six-byte command sequence with Block-Erase command (50H) and block address (BA) in the last bus cycle. The sector or block address is latched on the falling edge of the sixth WE# pulse, while the command (30H or 50H) is latched on the rising edge of the sixth WE# pulse. The internal Erase operation begins after the sixth WE# pulse. The End-of-Erase operation can be determined using either Data# Polling or Toggle Bit methods. See Figures 9 and 10 for timing waveforms and Figure 23 for the flowchart. Any commands issued during the Sector- or Block-Erase operation are ignored. When WP# is low, any attempt to Sector- (Block-) Erase the protected block will be ignored. During the command sequence, WP# should be statically held high or low.



Erase-Suspend/Eraser-Resume Commands

The Erase-Suspend operation temporarily suspends a Sector- or Block-Erase operation thus allowing data to be read from any memory location, or program data into any sector/block that is not suspended for an Erase operation. The operation is executed by issuing one byte command sequence with Erase-Suspend command (B0H). The device automatically enters read mode typically within 20 μ s after the Erase-Suspend command had been issued. Valid data can be read from any sector or block that is not suspended from an Erase operation. Reading at address location within erase-suspended sectors/blocks will output DQ₂ toggling and DQ₆ at "1". While in Erase-Suspend mode, a Word-Program operation is allowed except for the sector or block selected for Erase-Suspend.

To resume Sector-Erase or Block-Erase operation which has been suspended the system must issue Erase Resume command. The operation is executed by issuing one byte command sequence with Erase Resume command (30H) at any address in the last Byte sequence.

Chip-Erase Operation

The SST39WF1601/1602 provide a Chip-Erase operation, which allows the user to erase the entire memory array to the "1" state. This is useful when the entire device must be quickly erased.

The Chip-Erase operation is initiated by executing a six-byte command sequence with Chip-Erase command (10H) at address 5555H in the last byte sequence. The Erase operation begins with the rising edge of the sixth WE# or CE#, whichever occurs first. During the Erase operation, the only valid read is Toggle Bit or Data# Polling. See Table 6 for the command sequence, Figure 9 for timing diagram, and Figure 23 for the flowchart. Any commands issued during the Chip-Erase operation are ignored. When WP# is low, any attempt to Chip-Erase will be ignored. During the command sequence, WP# should be statically held high or low.

Write Operation Status Detection

The SST39WF1601/1602 provide two software means to detect the completion of a Write (Program or Erase) cycle, in order to optimize the system write cycle time. The software detection includes two status bits: Data# Polling (DQ₇) and Toggle Bit (DQ₆). The End-of-Write detection mode is enabled after the rising edge of WE#, which initiates the internal Program or Erase operation.

The actual completion of the nonvolatile write is asynchronous with the system; therefore, either a Data# Polling or Toggle Bit read may be simultaneous with the completion of the write cycle. If this occurs, the system may possibly get an erroneous result, i.e., valid data may appear to conflict with either DQ₇ or DQ₆. In order to prevent spurious rejection, if an erroneous result occurs, the software routine should include a loop to read the accessed location an additional two (2) times. If both reads are valid, then the device has completed the Write cycle, otherwise the rejection is valid.

Data# Polling (DQ₇)

When the SST39WF1601/1602 are in the internal Program operation, any attempt to read DQ₇ will produce the complement of the true data. Once the Program operation is completed, DQ₇ will produce true data. Note that even though DQ₇ may have valid data immediately following the completion of an internal Write operation, the remaining data outputs may still be invalid: valid data on the entire data bus will appear in subsequent successive Read cycles after an interval of 1 μ s. During internal Erase operation, any attempt to read DQ₇ will produce a '0'. Once the internal Erase operation is completed, DQ₇ will produce a '1'. The Data# Polling is valid after the rising edge of fourth WE# (or CE#) pulse for Program operation. For Sector-, Block- or Chip-Erase, the Data# Polling is valid after the rising edge of sixth WE# (or CE#) pulse. See Figure 6 for Data# Polling timing diagram and Figure 20 for a flowchart.



Toggle Bits (DQ6 and DQ2)

During the internal Program or Erase operation, any consecutive attempts to read DQ₆ will produce alternating “1”s and “0”s, i.e., toggling between 1 and 0. When the internal Program or Erase operation is completed, the DQ₆ bit will stop toggling. The device is then ready for the next operation. For Sector-, Block-, or Chip-Erase, the toggle bit (DQ₆) is valid after the rising edge of sixth WE# (or CE#) pulse. DQ₆ will be set to “1” if a Read operation is attempted on an Erase-Suspended Sector/Block. If Program operation is initiated in a sector/block not selected in Erase-Suspend mode, DQ₆ will toggle.

An additional Toggle Bit is available on DQ₂, which can be used in conjunction with DQ₆ to check whether a particular sector is being actively erased or erase-suspended. Table 1 shows detailed status bits information. The Toggle Bit (DQ₂) is valid after the rising edge of the last WE# (or CE#) pulse of Write operation. See Figure 7 for Toggle Bit timing diagram and Figure 20 for a flowchart.

TABLE 1: Write Operation Status

| Status | | DQ ₇ | DQ ₆ | DQ ₂ |
|--------------------|---|-------------------|-----------------|-----------------|
| Normal Operation | Standard Program | DQ ₇ # | Toggle | No Toggle |
| | Standard Erase | 0 | Toggle | Toggle |
| Erase-Suspend Mode | Read from Erase-Suspended Sector/Block | 1 | 1 | Toggle |
| | Read from Non- Erase-Suspended Sector/Block | Data | Data | Data |
| | Program | DQ ₇ # | Toggle | N/A |

T1.0 1297(05)

Note: DQ₇ and DQ₂ require a valid address when reading status information.

Data Protection

The SST39WF1601/1602 provide both hardware and software features to protect nonvolatile data from inadvertent writes.

Hardware Data Protection

Noise/Glitch Protection: A WE# or CE# pulse of less than 5 ns will not initiate a write cycle.

V_{DD} Power Up/Down Detection: The Write operation is inhibited when V_{DD} is less than 1.5V.

Write Inhibit Mode: Forcing OE# low, CE# high, or WE# high will inhibit the Write operation. This prevents inadvertent writes during power-up or power-down.

Hardware Block Protection

The SST39WF1602 support top hardware block protection, which protects the top 32 KWord block of the device. The SST39WF1601 support bottom hardware block protection, which protects the bottom 32 KWord block of the device. The Boot Block address ranges are described in Table 2. Program and Erase operations are prevented on the 32 KWord when WP# is low. If WP# is left floating, it is internally held high via a pull-up resistor, and the Boot Block is unprotected, enabling Program and Erase operations on that block.

TABLE 2: Boot Block Address Ranges

| Product | Address Range |
|---|------------------|
| Bottom Boot Block SST39WF1601 | 000000H-007FFFH |
| Top Boot Block SST39WF1602 | 0F8000H-0FFFFFFH |

T2.0 1297(05)

Hardware Reset (RST#)

The RST# pin provides a hardware method of resetting the device to read array data. When the RST# pin is held low for at least T_{RP}, any in-progress operation will terminate and return to Read mode. When no internal Program/Erase operation is in progress, a minimum period of T_{RHR} is required after RST# is driven high before a valid Read can take place (see Figure 15).

The Erase or Program operation that has been interrupted needs to be reinitiated after the device resumes normal operation mode to ensure data integrity.

Software Data Protection (SDP)

The SST39WF1601/1602 provide the JEDEC approved Software Data Protection scheme for all data alteration operations, i.e., Program and Erase. Any Program operation requires the inclusion of the three-byte sequence. The three-byte load sequence is used to initiate the Program operation, providing optimal protection from inadvertent Write operations, e.g., during the system power-up or power-down. Any Erase operation requires the inclusion of six-byte sequence. These devices are shipped with the Software Data Protection permanently enabled. See Table 6 for the specific software command codes. During SDP command sequence, invalid commands will abort the device to read mode within T_{RC}. The contents of DQ₁₅-DQ₈ can be V_{IL} or V_{IH}, but no other value, during any SDP command sequence.



16 Mbit Multi-Purpose Flash Plus SST39WF1601 / SST39WF1602

Common Flash Memory Interface (CFI)

The SST39WF1601/1602 contain the CFI information to describe the characteristics of the device. The SST39WF1601/1602 support the original SST CFI Query mode implementation for compatibility with existing SST devices as well as the general CFI Query mode. Both will be explained in subsequent paragraphs.

In order to enter the SST CFI Query mode, the system must write the three-byte sequence, same as the product ID entry command with 98H (CFI Query command) to address 5555H in the last byte sequence. Once the device enters CFI Query mode, the system can read CFI data at the addresses given in Tables 7 through 9. The system must write the CFI Exit command to return to Read mode from the CFI Query mode.

In order to enter the general CFI Query mode, the system must write a one-byte sequence with entry command with 98H to address 55H. Once the device enters the CFI Query mode, the system can read CFI data at the addresses given in Tables 7 through 9. The system must write the CFI Exit command to return to Read mode from the CFI Query mode.

Product Identification

The Product Identification mode identifies the devices as the SST39WF1601, SST39WF1602 and manufacturer as SST. This mode may be accessed software operations. Users may use the Software Product Identification operation to identify the part (i.e., using the device ID) when using multiple manufacturers in the same socket. For details, see Table 6 for software operation, Figure 11 for the Software ID Entry and Read timing diagram and Figure 21 for the Software ID Entry command sequence flowchart.

TABLE 3: Product Identification

| | Address | Data |
|-------------------|---------|--------|
| Manufacturer's ID | 0000H | BFH |
| Device ID | | |
| SST39WF1601 | 0001H | BF274B |
| SST39WF1602 | 0001H | BF274A |

T3.0 1297(05)

Product Identification Mode Exit/ CFI Mode Exit

In order to return to the standard Read mode, the Software Product Identification mode must be exited. Exit is accomplished by issuing the Software ID Exit command sequence, which returns the device to the Read mode. This command may also be used to reset the device to the Read mode after any inadvertent transient condition that apparently causes the device to behave abnormally, e.g., not read correctly. Please note that the Software ID Exit/CFI Exit command is ignored during an internal Program or Erase operation. See Table 6 for software command codes, Figure 13 for timing waveform, and Figures 21 and 22 for flowcharts.

Security ID

The SST39WF1601/1602 devices offer a 256-bit Security ID space. The Secure ID space is divided into two 128-bit segments - one factory programmed segment and one user programmed segment. The first segment is programmed and locked at SST with a random 128-bit number. The user segment is left un-programmed for the customer to program as desired.

To program the user segment of the Security ID, the user must use the Security ID Word-Program command. To detect end-of-write for the SEC ID, read the toggle bits. Do not use Data# Polling. Once this is complete, the Sec ID should be locked using the User Sec ID Program Lock-Out. This disables any future corruption of this space. Note that regardless of whether or not the Sec ID is locked, neither Sec ID segment can be erased.

The Secure ID space can be queried by executing a three-byte command sequence with Enter Sec ID command (88H) at address 5555H in the last byte sequence. To exit this mode, the Exit Sec ID command should be executed. Refer to Table 6 for more details.



16 Mbit Multi-Purpose Flash Plus SST39WF1601 / SST39WF1602

EOL Data Sheet

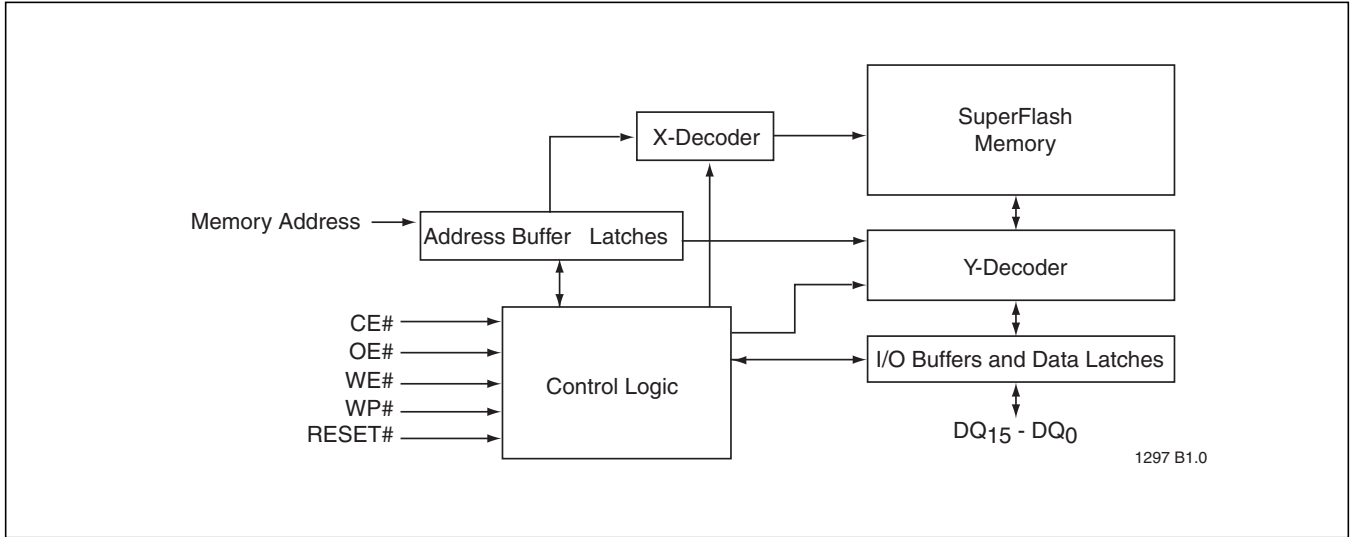


FIGURE 1: Functional Block Diagram

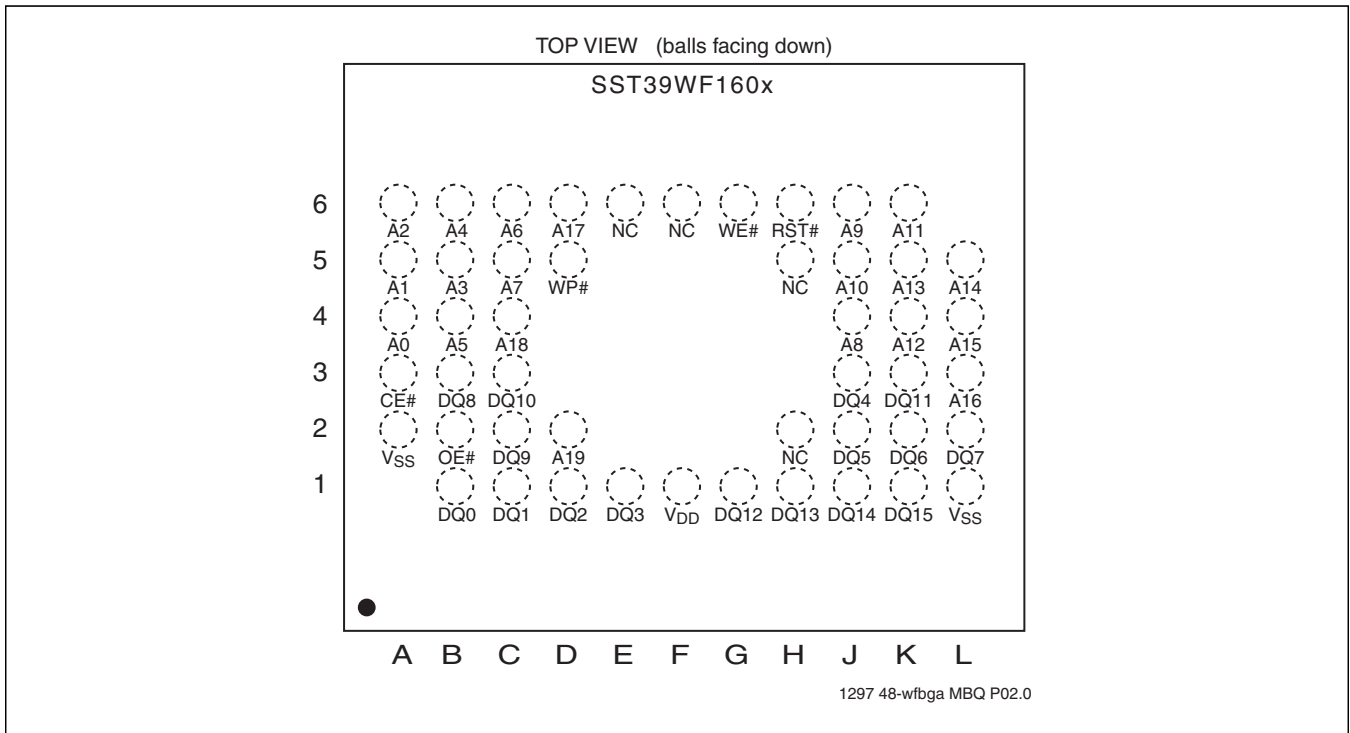


FIGURE 2: Pin assignments for 48-ball WFBGA



16 Mbit Multi-Purpose Flash Plus

SST39WF1601 / SST39WF1602

EOL Data Sheet

TABLE 4: Pin Description

| Symbol | Pin Name | Functions |
|----------------|-------------------|--|
| $A_{MS}^1-A_0$ | Address Inputs | To provide memory addresses. During Sector-Erase $A_{MS}-A_{11}$ address lines will select the sector. During Block-Erase $A_{MS}-A_{15}$ address lines will select the block. |
| $DQ_{15}-DQ_0$ | Data Input/output | To output data during Read cycles and receive input data during Write cycles. Data is internally latched during a Write cycle. The outputs are in tri-state when $OE\#$ or $CE\#$ is high. |
| $WP\#$ | Write Protect | To protect the top/bottom boot block from Erase/Program operation when \bar{c} grounded. |
| $RST\#$ | Reset | To reset and return the device to Read mode. |
| $CE\#$ | Chip Enable | To activate the device when $CE\#$ is low. |
| $OE\#$ | Output Enable | To gate the data output buffers. |
| $WE\#$ | Write Enable | To control the Write operations. |
| V_{DD} | Power Supply | To provide power supply voltage: 1.65-1.95V |
| V_{SS} | Ground | |
| NC | No Connection | Unconnected pins. |

T4.0 1297(05)

- A_{MS} = Most significant address
 $A_{MS} = A_{19}$ for SST39WF1601/1602

TABLE 5: Operation Modes Selection

| Mode | $CE\#$ | $OE\#$ | $WE\#$ | DQ | Address |
|------------------------|----------|----------|----------|-------------------|--|
| Read | V_{IL} | V_{IL} | V_{IH} | D_{OUT} | A_{IN} |
| Program | V_{IL} | V_{IH} | V_{IL} | D_{IN} | A_{IN} |
| Erase | V_{IL} | V_{IH} | V_{IL} | X^1 | Sector or block address, XXH for Chip-Erase |
| Standby | V_{IH} | X | X | High Z | X |
| Write Inhibit | X | V_{IL} | X | High Z/ D_{OUT} | X |
| | X | X | V_{IH} | High Z/ D_{OUT} | X |
| Product Identification | | | | | |
| Software Mode | V_{IL} | V_{IL} | V_{IH} | | See Table 6 |

T5.0 1297(05)

- X can be V_{IL} or V_{IH} , but no other value.



16 Mbit Multi-Purpose Flash Plus SST39WF1601 / SST39WF1602

EOL Data Sheet

TABLE 6: Software Command Sequence

| Command Sequence | 1st Bus Write Cycle | | 2nd Bus Write Cycle | | 3rd Bus Write Cycle | | 4th Bus Write Cycle | | 5th Bus Write Cycle | | 6th Bus Write Cycle | |
|--|---------------------|-------------------|---------------------|-------------------|---------------------|-------------------|---------------------|-------------------|---------------------|-------------------|------------------------------|-------------------|
| | Addr ¹ | Data ² | Addr ¹ | Data ² | Addr ¹ | Data ² | Addr ¹ | Data ² | Addr ¹ | Data ² | Addr ¹ | Data ² |
| Word-Program | 5555H | AAH | 2AAAH | 55H | 5555H | A0H | WA ³ | Data | | | | |
| Sector-Erase | 5555H | AAH | 2AAAH | 55H | 5555H | 80H | 5555H | AAH | 2AAAH | 55H | SA _X ⁴ | 30H |
| Block-Erase | 5555H | AAH | 2AAAH | 55H | 5555H | 80H | 5555H | AAH | 2AAAH | 55H | BA _X ⁴ | 50H |
| Chip-Erase | 5555H | AAH | 2AAAH | 55H | 5555H | 80H | 5555H | AAH | 2AAAH | 55H | 5555H | 10H |
| Erase-Suspend | XXXXH | B0H | | | | | | | | | | |
| Erase-Resume | XXXXH | 30H | | | | | | | | | | |
| Query Sec ID ⁵ | 5555H | AAH | 2AAAH | 55H | 5555H | 88H | | | | | | |
| User Security ID Word-Program | 5555H | AAH | 2AAAH | 55H | 5555H | A5H | WA ⁶ | Data | | | | |
| User Security ID Program Lock-Out | 5555H | AAH | 2AAAH | 55H | 5555H | 85H | XXH ⁶ | 0000H | | | | |
| Software ID Entry ^{7,8} | 5555H | AAH | 2AAAH | 55H | 5555H | 90H | | | | | | |
| SST CFI Query Entry | 5555H | AAH | 2AAAH | 55H | 5555H | 98H | | | | | | |
| General CFI Query Mode | 55H | 98H | | | | | | | | | | |
| Software ID Exit ^{9,10} /CFI Exit/Sec ID Exit | 5555H | AAH | 2AAAH | 55H | 5555H | F0H | | | | | | |
| Software ID Exit ^{9,10} /CFI Exit/Sec ID Exit | XXH | F0H | | | | | | | | | | |

T6.0 1297(05)

- Address format A₁₄-A₀ (Hex).
Addresses A₁₅-A₁₉ can be V_{IL} or V_{IH}, but no other value, for Command sequence for SST39WF1601/1602.
- DQ₁₅-DQ₈ can be V_{IL} or V_{IH}, but no other value, for Command sequence
- WA = Program Word address
- SA_X for Sector-Erase; uses A_{MS}-A₁₁ address lines
BA_X, for Block-Erase; uses A_{MS}-A₁₅ address lines
A_{MS} = Most significant address
A_{MS} = A₁₉ for SST39WF1601/1602
- With A_{MS}-A₄ = 0; Sec ID is read with A₃-A₀,
SST ID is read with A₃ = 0 (Address range = 000000H to 000007H),
User ID is read with A₃ = 1 (Address range = 000008H to 00000FH).
User ID Lock Status is read with A₇-A₀ = 0000FFH. Unlocked: DQ₃ = 1 / Locked: DQ₃ = 0.
- Valid Word-Addresses for Sec ID are from 000000H-000007H and 000008H to 00000FH.
- The device does not remain in Software Product ID Mode if powered down.
- With A_{MS}-A₁ = 0; SST Manufacturer ID = 00BFH, is read with A₀ = 0,
SST39WF1601 Device ID = BF274BH, is read with A₀ = 1,
SST39WF1602 Device ID = BF274AH, is read with A₀ = 1.
A_{MS} = Most significant address
A_{MS} = A₁₉ for SST39WF1601/1602
- Both Software ID Exit operations are equivalent
- If users never lock after programming, Sec ID can be programmed over the previously unprogrammed bits (data=1) using the Sec ID mode again (the programmed "0" bits cannot be reversed to "1"). Valid Word-Addresses for Sec ID are from 000000H-000007H and 000008H to 00000FH.



16 Mbit Multi-Purpose Flash Plus

SST39WF1601 / SST39WF1602

EOL Data Sheet

TABLE 7: CFI Query Identification String¹

| Address | Data | Data |
|---------|-------|--|
| 10H | 0051H | Query Unique ASCII string "QRY" |
| 11H | 0052H | |
| 12H | 0059H | |
| 13H | 0002H | Primary OEM command set |
| 14H | 0000H | |
| 15H | 0000H | Address for Primary Extended Table |
| 16H | 0000H | |
| 17H | 0000H | Alternate OEM command set (00H = none exists) |
| 18H | 0000H | |
| 19H | 0000H | Address for Alternate OEM extended Table (00H = none exists) |
| 1AH | 0000H | |

1. Refer to CFI publication 100 for more details.

T7.0 1297(05)

TABLE 8: System Interface Information

| Address | Data | Data |
|---------|-------|--|
| 1BH | 0016H | V _{DD} Min (Program/Erase) DQ ₇ -DQ ₄ : Volts, DQ ₃ -DQ ₀ : 100 millivolts |
| 1CH | 0020H | V _{DD} Max (Program/Erase) DQ ₇ -DQ ₄ : Volts, DQ ₃ -DQ ₀ : 100 millivolts |
| 1DH | 0000H | V _{PP} min. (00H = no V _{PP} pin) |
| 1EH | 0000H | V _{PP} max. (00H = no V _{PP} pin) |
| 1FH | 0005H | Typical time out for Word-Program 2 ^N μs (2 ⁵ = 32 μs) |
| 20H | 0000H | Typical time out for min. size buffer program 2 ^N μs (00H = not supported) |
| 21H | 0005H | Typical time out for individual Sector/Block-Erase 2 ^N ms (2 ⁵ = 30 ms) |
| 22H | 0007H | Typical time out for Chip-Erase 2 ^N ms (2 ⁷ = 128 ms) |
| 23H | 0001H | Maximum time out for Word-Program 2 ^N times typical (2 ¹ x 2 ⁵ = 64 μs) |
| 24H | 0000H | Maximum time out for buffer program 2 ^N times typical |
| 25H | 0001H | Maximum time out for individual Sector/Block-Erase 2 ^N times typical (2 ¹ x 2 ⁵ = 64 ms) |
| 26H | 0001H | Maximum time out for Chip-Erase 2 ^N times typical (2 ¹ x 2 ⁷ = 256 ms) |

T8.0 1297(05)

TABLE 9: Device Geometry Information

| Address | Data | Data |
|---------|-------|---|
| 27H | 0015H | Device size = 2 ^N Bytes (15H = 21; 2 ²¹ = 2 MByte) |
| 28H | 0001H | Flash Device Interface description; 0001H = x16-only asynchronous interface |
| 29H | 0000H | |
| 2AH | 0000H | Maximum number of byte in multi-byte write = 2 ^N (00H = not supported) |
| 2BH | 0000H | |
| 2CH | 0002H | Number of Erase Sector/Block sizes supported by device |
| 2DH | 00FFH | Sector Information (y + 1 = Number of sectors; z x 256B = sector size) |
| 2EH | 0001H | |
| 2FH | 0010H | |
| 30H | 0000H | |
| 31H | 001FH | Block Information (y + 1 = Number of blocks; z x 256B = block size) |
| 32H | 0000H | |
| 33H | 0000H | |
| 34H | 0001H | |

T9.0 1297(05)



16 Mbit Multi-Purpose Flash Plus SST39WF1601 / SST39WF1602

EOL Data Sheet

Absolute Maximum Stress Ratings (Applied conditions greater than those listed under "Absolute Maximum Stress Ratings" may cause permanent damage to the device. This is a stress rating only and functional operation of the device at these conditions or conditions greater than those defined in the operational sections of this data sheet is not implied. Exposure to absolute maximum stress rating conditions may affect device reliability.)

| | |
|---|------------------------|
| Temperature Under Bias | -55°C to +125°C |
| Storage Temperature | -65°C to +150°C |
| D. C. Voltage on Any Pin to Ground Potential | -0.5V to $V_{DD}+0.5V$ |
| Transient Voltage (<20 ns) on Any Pin to Ground Potential | -2.0V to $V_{DD}+2.0V$ |
| Voltage on A ₉ Pin to Ground Potential | -0.5V to 13.2V |
| Package Power Dissipation Capability ($T_A = 25^\circ C$) | 1.0W |
| Surface Mount Solder Reflow Temperature | 260°C for 10 seconds |
| Output Short Circuit Current ¹ | 50 mA |

1. Outputs shorted for no more than one second. No more than one output shorted at a time.

Operating Range

| Range | Ambient Temp | V_{DD} |
|------------|----------------|------------|
| Commercial | 0°C to +70°C | 1.65-1.95V |
| Industrial | -40°C to +85°C | 1.65-1.95V |

AC Conditions of Test

| | |
|-----------------------|---------------|
| Input Rise/Fall Time | 5 ns |
| Output Load | $C_L = 30$ pF |
| See Figures 17 and 18 | |



16 Mbit Multi-Purpose Flash Plus

SST39WF1601 / SST39WF1602

EOL Data Sheet

TABLE 10: DC Operating Characteristics $V_{DD} = 1.65-1.95V^1$

| Symbol | Parameter | Limits | | | Test Conditions |
|-----------|---|--------------|-------------|---------|---|
| | | Min | Max | Units | |
| I_{DD} | Power Supply Current | | | | Address input= V_{ILT}/V_{IHT} , at $f=5$ MHz, $V_{DD}=V_{DD}$ Max |
| | Read | | 10 | mA | $CE\#=V_{IL}$, $OE\#=WE\#=V_{IH}$, all I/Os open |
| | Program and Erase | | 25 | mA | $CE\#=WE\#=V_{IL}$, $OE\#=V_{IH}$ |
| I_{SB} | Standby V_{DD} Current ² | | 40 | μA | $CE\#=V_{IHC}$, $V_{DD}=V_{DD}$ Max |
| I_{ALP} | Auto Low Power | | 40 | μA | $CE\#=V_{ILC}$, $V_{DD}=V_{DD}$ Max All inputs= V_{SS} or V_{DD} , $WE\#=V_{IHC}$ |
| I_{LI} | Input Leakage Current | | 1 | μA | $V_{IN}=GND$ to V_{DD} , $V_{DD}=V_{DD}$ Max |
| I_{LIW} | Input Leakage Current on WP# pin and RST# | | 10 | μA | $WP\#=GND$ to V_{DD} or $RST\#=GND$ to V_{DD} |
| I_{LO} | Output Leakage Current | | 1 | μA | $V_{OUT}=GND$ to V_{DD} , $V_{DD}=V_{DD}$ Max |
| V_{IL} | Input Low Voltage | | $0.2V_{DD}$ | V | $V_{DD}=V_{DD}$ Min |
| V_{IH} | Input High Voltage | $0.8V_{DD}$ | | V | $V_{DD}=V_{DD}$ Max |
| V_{OL} | Output Low Voltage | | 0.1 | V | $I_{OL}=100 \mu A$, $V_{DD}=V_{DD}$ Min |
| V_{OH} | Output High Voltage | $V_{DD}-0.1$ | | V | $I_{OH}=-100 \mu A$, $V_{DD}=V_{DD}$ Min |

T10.0 1297(05)

1. Typical conditions for the Active Current shown on the front page of the data sheet are average values at 25°C (room temperature), and $V_{DD} = 1.8V$. Not 100% tested.
2. For all SST39WF160x commercial and industrial devices, I_{SB} typical is under 5 μA .

TABLE 11: Recommended System Power-up Timings

| Symbol | Parameter | Minimum | Units |
|------------------|-------------------------------------|---------|---------|
| $T_{PU-READ}^1$ | Power-up to Read Operation | 100 | μs |
| $T_{PU-WRITE}^1$ | Power-up to Program/Erase Operation | 100 | μs |

T11.0 1297(05)

1. This parameter is measured only for initial qualification and after a design or process change that could affect this parameter.

TABLE 12: Capacitance ($T_A = 25^\circ C$, $f=1$ Mhz, other pins open)

| Parameter | Description | Test Condition | Maximum |
|-------------|---------------------|----------------|---------|
| $C_{I/O}^1$ | I/O Pin Capacitance | $V_{I/O} = 0V$ | 12 pF |
| C_{IN}^1 | Input Capacitance | $V_{IN} = 0V$ | 6 pF |

T12.0 1297(05)

1. This parameter is measured only for initial qualification and after a design or process change that could affect this parameter.

TABLE 13: Reliability Characteristics

| Symbol | Parameter | Minimum Specification | Units | Test Method |
|-----------------|----------------|-----------------------|--------|---------------------|
| $N_{END}^{1,2}$ | Endurance | 10,000 | Cycles | JEDEC Standard A117 |
| T_{DR}^1 | Data Retention | 100 | Years | JEDEC Standard A103 |
| I_{LTH}^1 | Latch Up | $100 + I_{DD}$ | mA | JEDEC Standard 78 |

T13.0 1297(05)

1. This parameter is measured only for initial qualification and after a design or process change that could affect this parameter.
2. N_{END} endurance rating is qualified as a 10,000 cycle minimum for the whole device. A sector- or block-level rating would result in a higher minimum specification.



AC CHARACTERISTICS

TABLE 14: Read Cycle Timing Parameters $V_{DD} = 1.65-1.95V$

| Symbol | Parameter | Min | Max | Units |
|----------------|---------------------------------|-----|--------|---------|
| T_{RC} | Read Cycle Time | 70 | | ns |
| T_{CE} | Chip Enable Access Time | | 70 | ns |
| T_{AA} | Address Access Time | | 70 | ns |
| T_{OE} | Output Enable Access Time | | 35 | ns |
| T_{CLZ}^1 | CE# Low to Active Output | 0 | | ns |
| T_{OLZ}^1 | OE# Low to Active Output | 0 | | ns |
| T_{CHZ}^1 | CE# High to High-Z Output | | 40 | ns |
| T_{OHZ}^1 | OE# High to High-Z Output | | 40 | ns |
| T_{OH}^1 | Output Hold from Address Change | 0 | | ns |
| T_{RP}^1 | RST# Pulse Width | 500 | | ns |
| T_{RHR}^1 | RST# High before Read | 50 | | ns |
| $T_{RY}^{1,2}$ | RST# Pin Low to Read Mode | | 20^3 | μs |

T14.0 1297(05)

1. This parameter is measured only for initial qualification and after a design or process change that could affect this parameter.
2. This parameter applies to Sector-Erase, Block-Erase and Program operations.
This parameter does not apply to Chip-Erase operations.
3. This parameter is 100 μs if reset after an Erase operation.

TABLE 15: Program/Erase Cycle Timing Parameters

| Symbol | Parameter | Min | Max | Units |
|-------------|----------------------------------|-----|-----|---------|
| T_{BP} | Word-Program Time | | 40 | μs |
| T_{AS} | Address Setup Time | 0 | | ns |
| T_{AH} | Address Hold Time | 50 | | ns |
| T_{CS} | WE# and CE# Setup Time | 0 | | ns |
| T_{CH} | WE# and CE# Hold Time | 0 | | ns |
| T_{OES} | OE# High Setup Time | 0 | | ns |
| T_{OEH} | OE# High Hold Time | 10 | | ns |
| T_{CP} | CE# Pulse Width | 50 | | ns |
| T_{WP} | WE# Pulse Width | 50 | | ns |
| T_{WPH}^1 | WE# Pulse Width High | 30 | | ns |
| T_{CPH}^1 | CE# Pulse Width High | 30 | | ns |
| T_{DS} | Data Setup Time | 50 | | ns |
| T_{DH}^1 | Data Hold Time | 0 | | ns |
| T_{IDA}^1 | Software ID Access and Exit Time | | 150 | ns |
| T_{SE} | Sector-Erase | | 50 | ms |
| T_{BE} | Block-Erase | | 50 | ms |
| T_{SCE} | Chip-Erase | | 200 | ms |

T15.0 1297(05)

1. This parameter is measured only for initial qualification and after a design or process change that could affect this parameter.

16 Mbit Multi-Purpose Flash Plus

SST39WF1601 / SST39WF1602



EOL Data Sheet

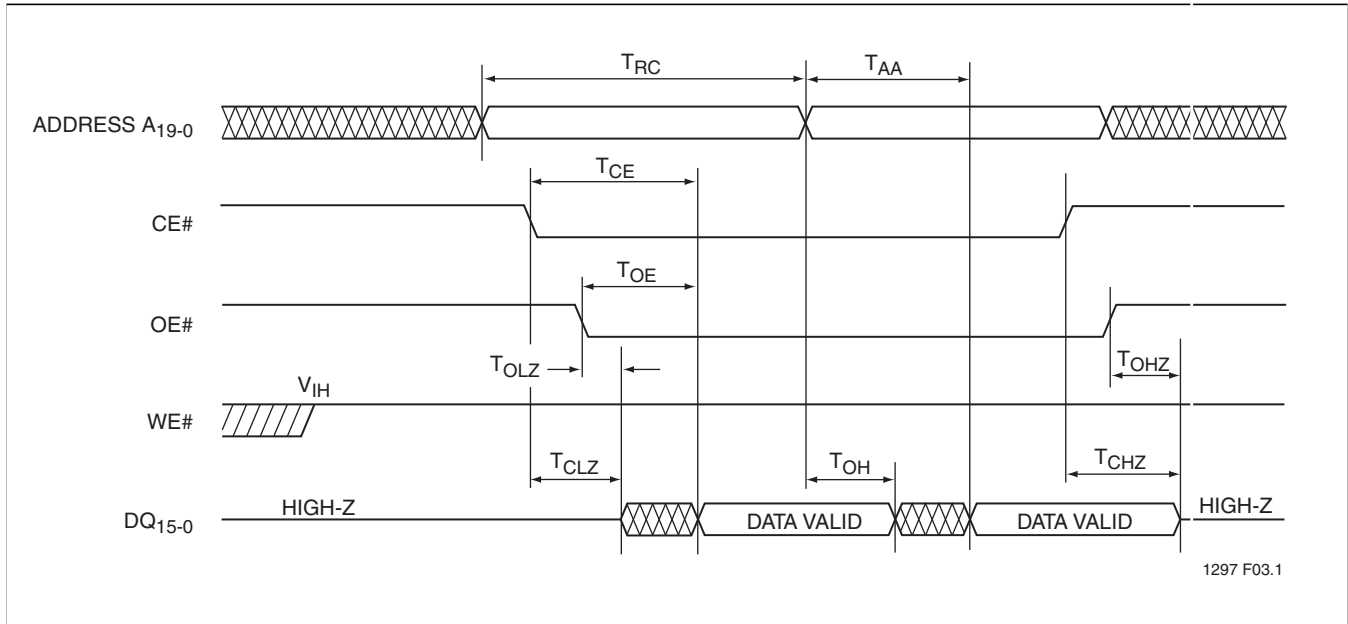
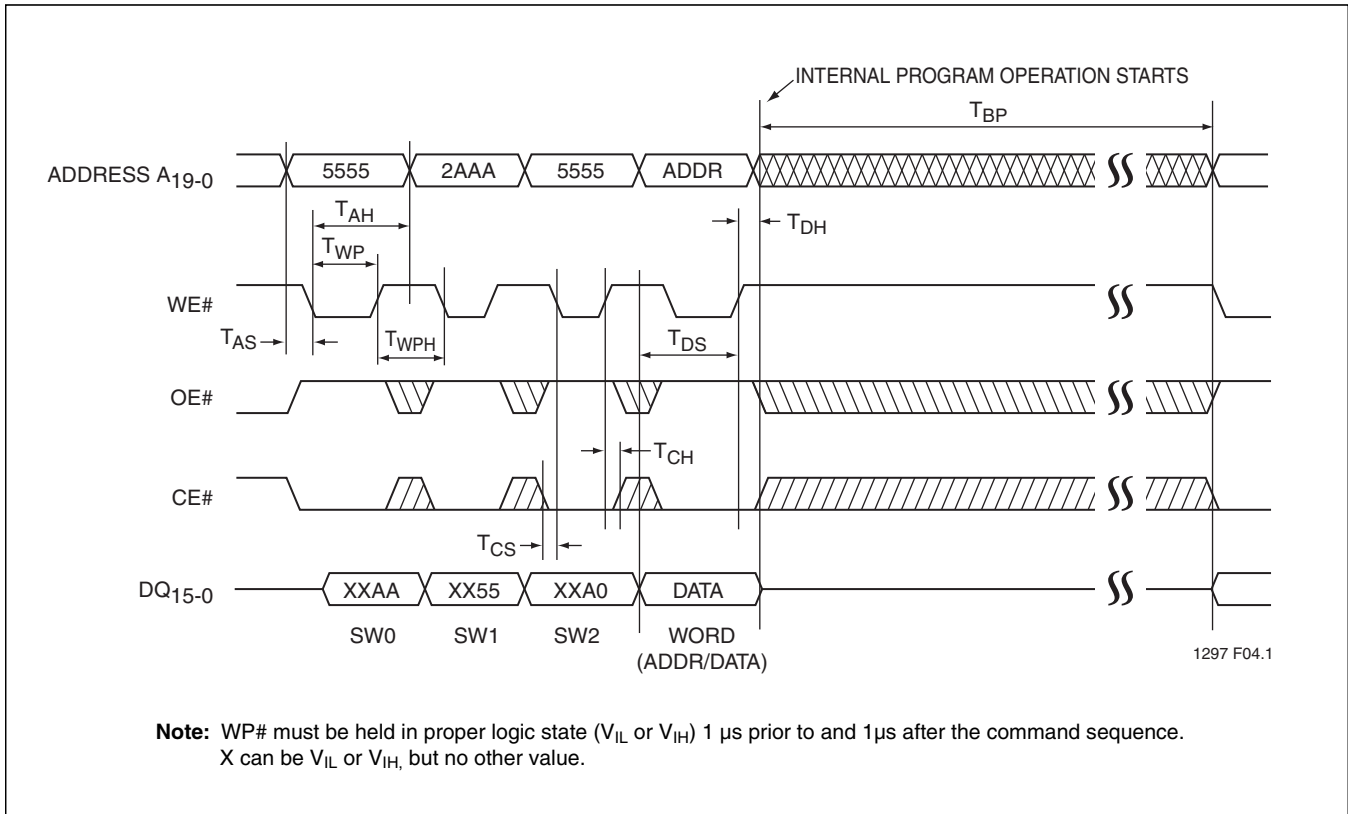


FIGURE 3: Read Cycle Timing Diagram



Note: WP# must be held in proper logic state (V_{IL} or V_{IH}) 1 μs prior to and 1 μs after the command sequence. X can be V_{IL} or V_{IH}, but no other value.

FIGURE 4: WE# Controlled Program Cycle Timing Diagram

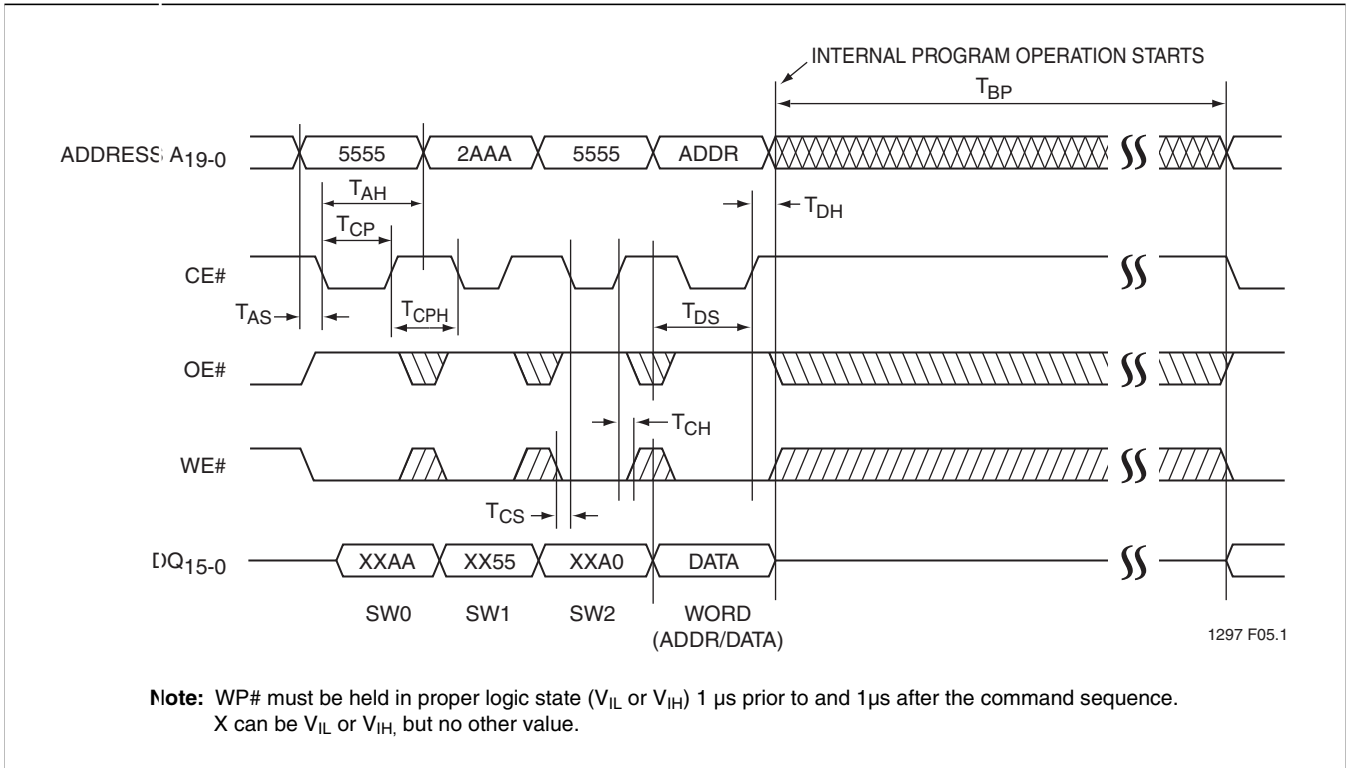


FIGURE 5: CE# Controlled Program Cycle Timing Diagram

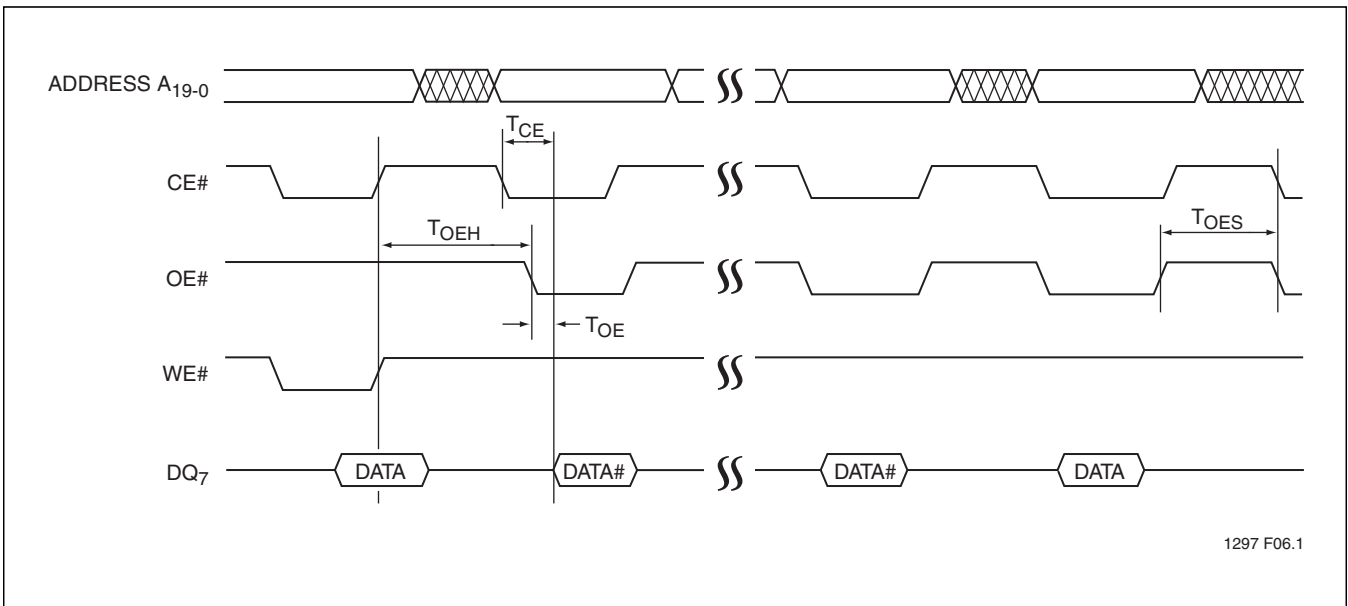


FIGURE 6: Data# Polling Timing Diagram

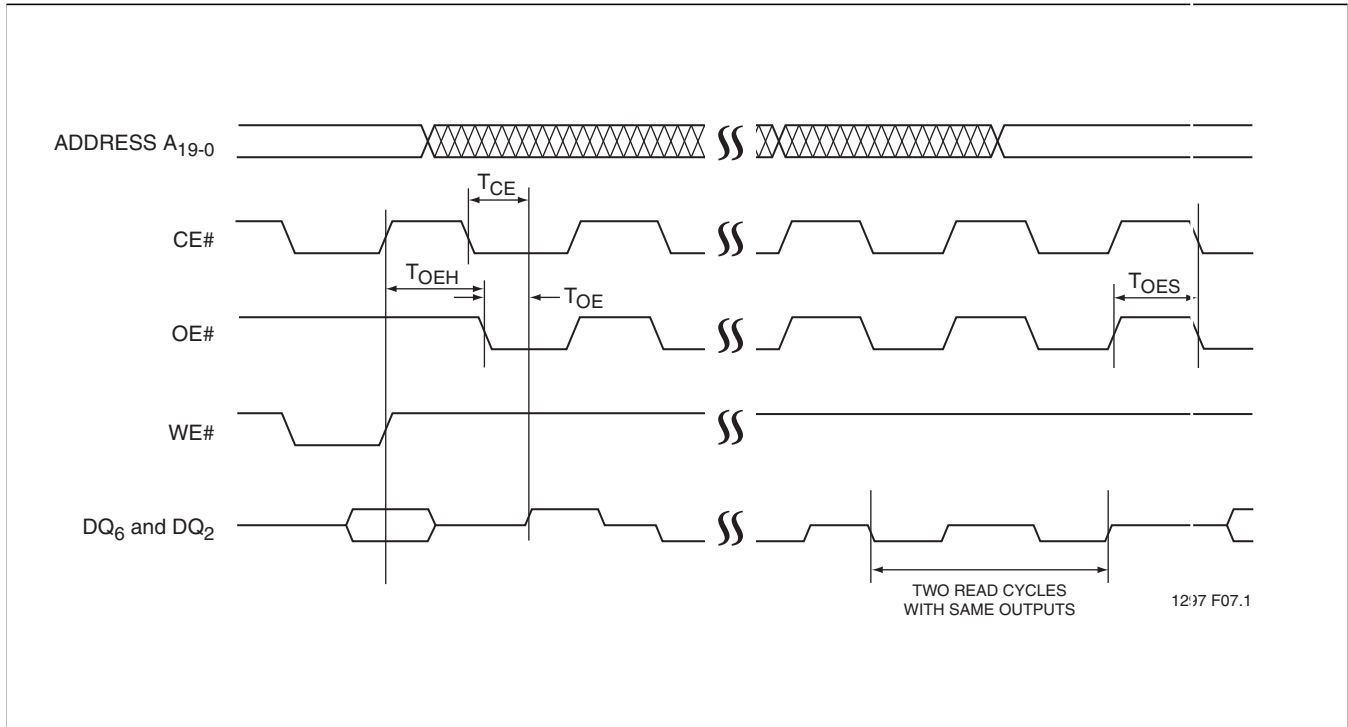


FIGURE 7: Toggle Bits Timing Diagram

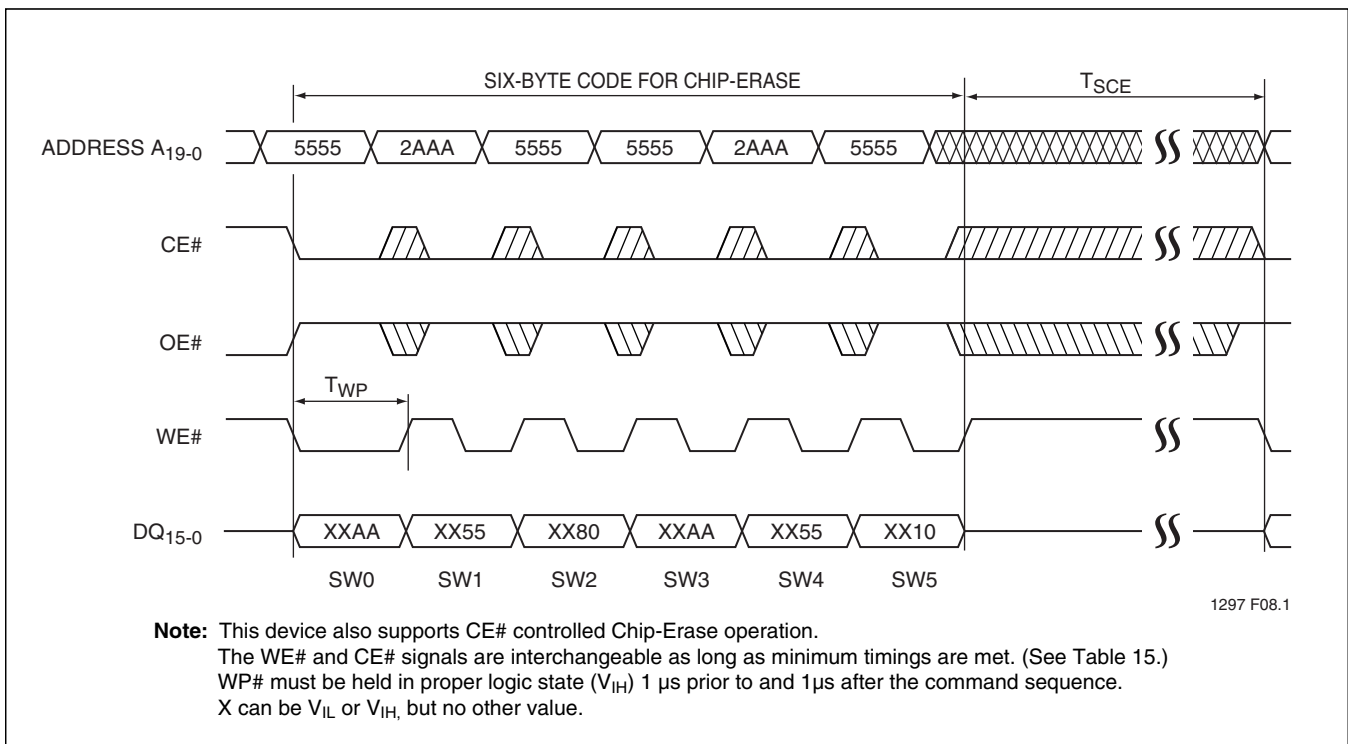


FIGURE 8: WE# Controlled Chip-Erase Timing Diagram

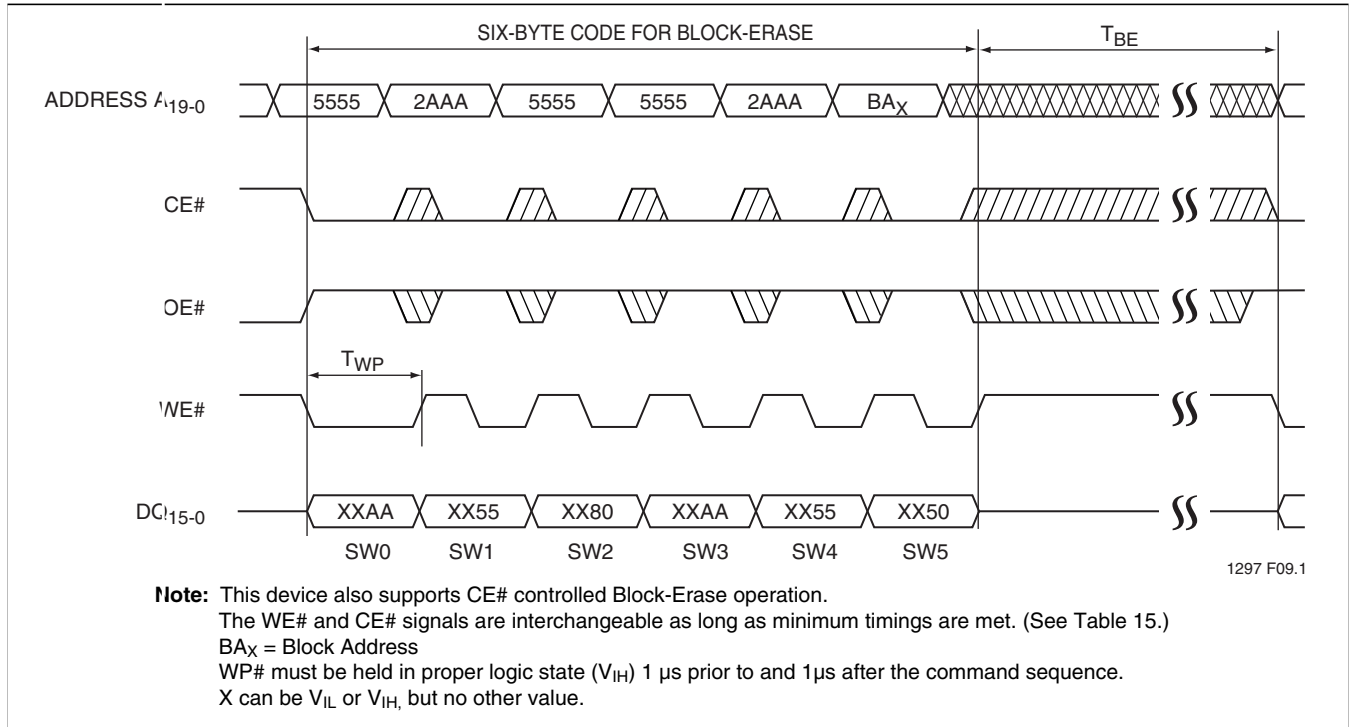


FIGURE 9: WE# Controlled Block-Erase Timing Diagram

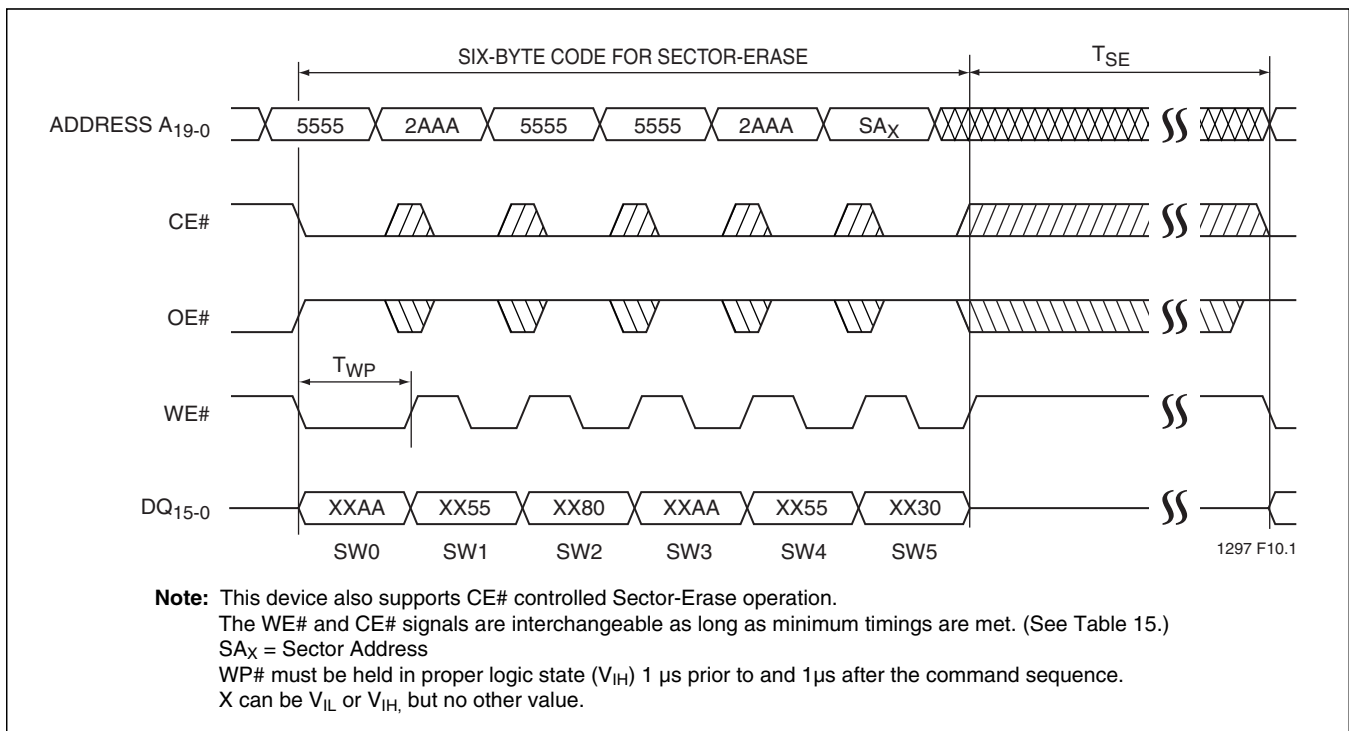


FIGURE 10: WE# Controlled Sector-Erase Timing Diagram

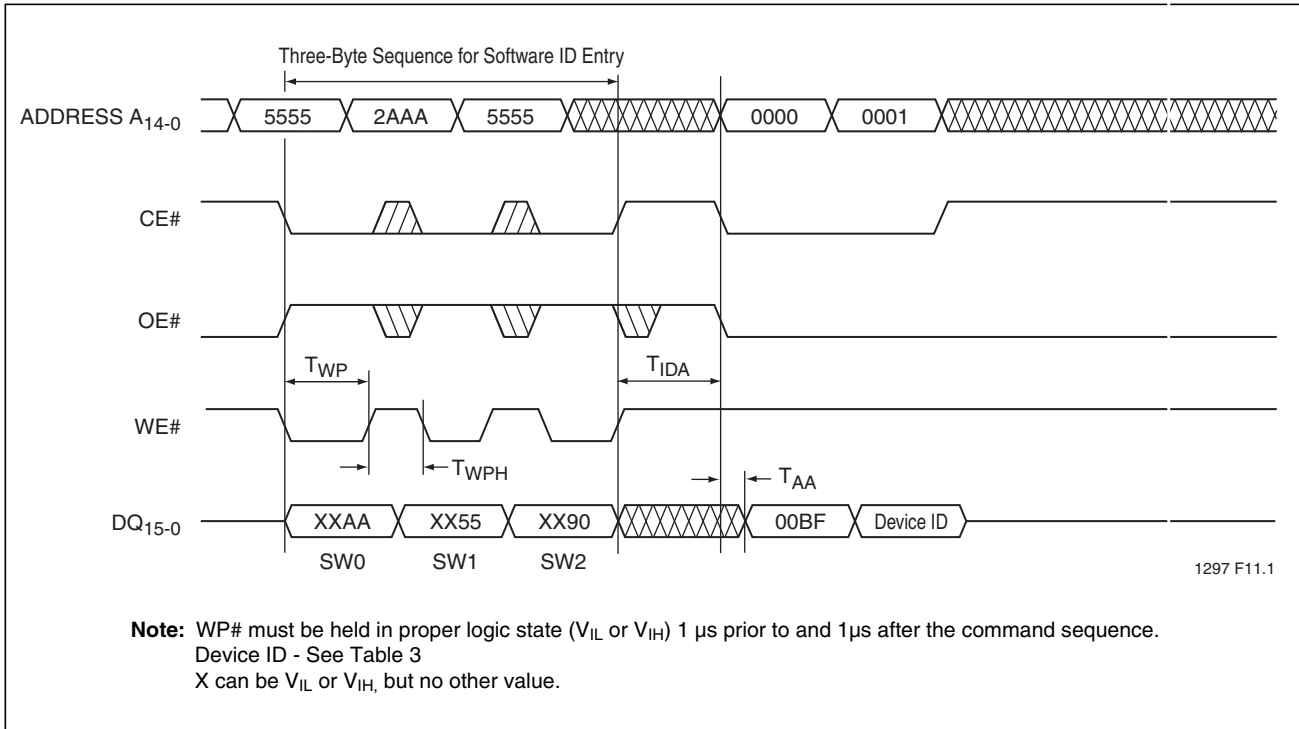


FIGURE 11: Software ID Entry and Read

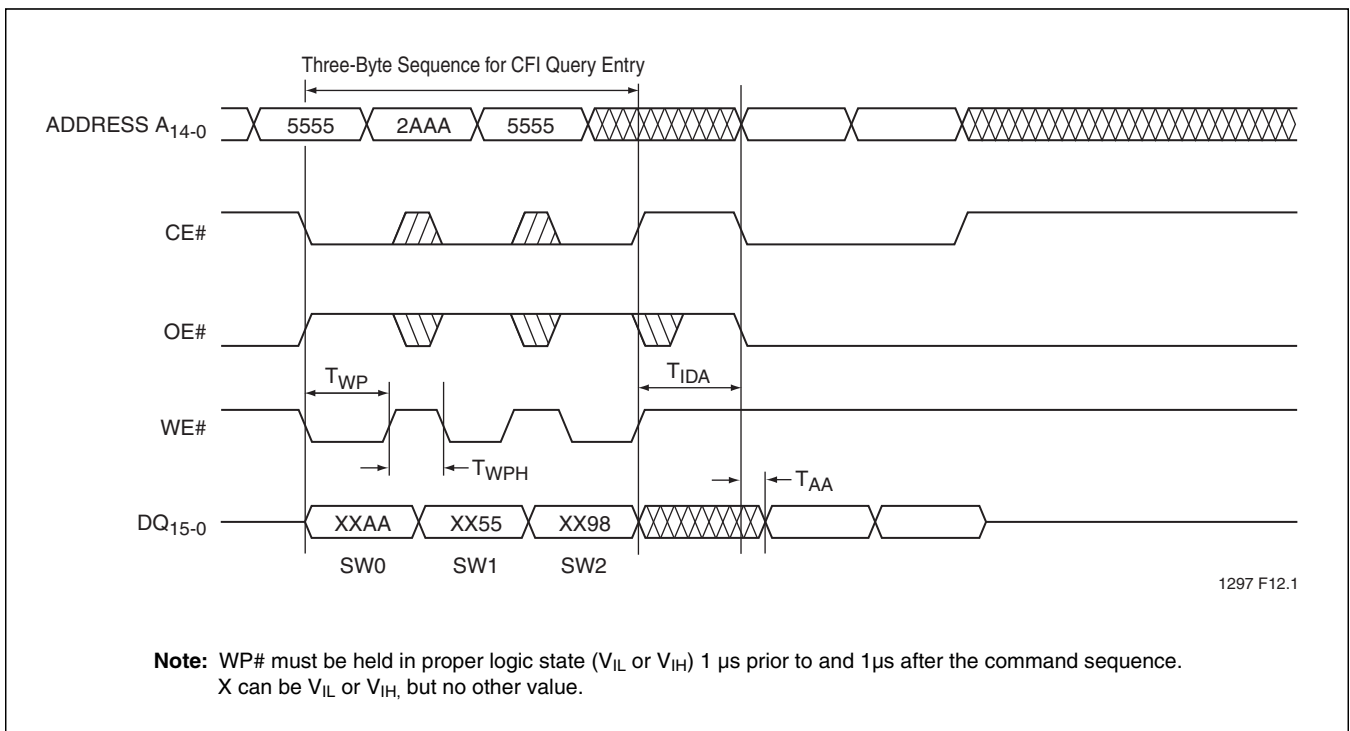


FIGURE 12: CFI Query Entry and Read

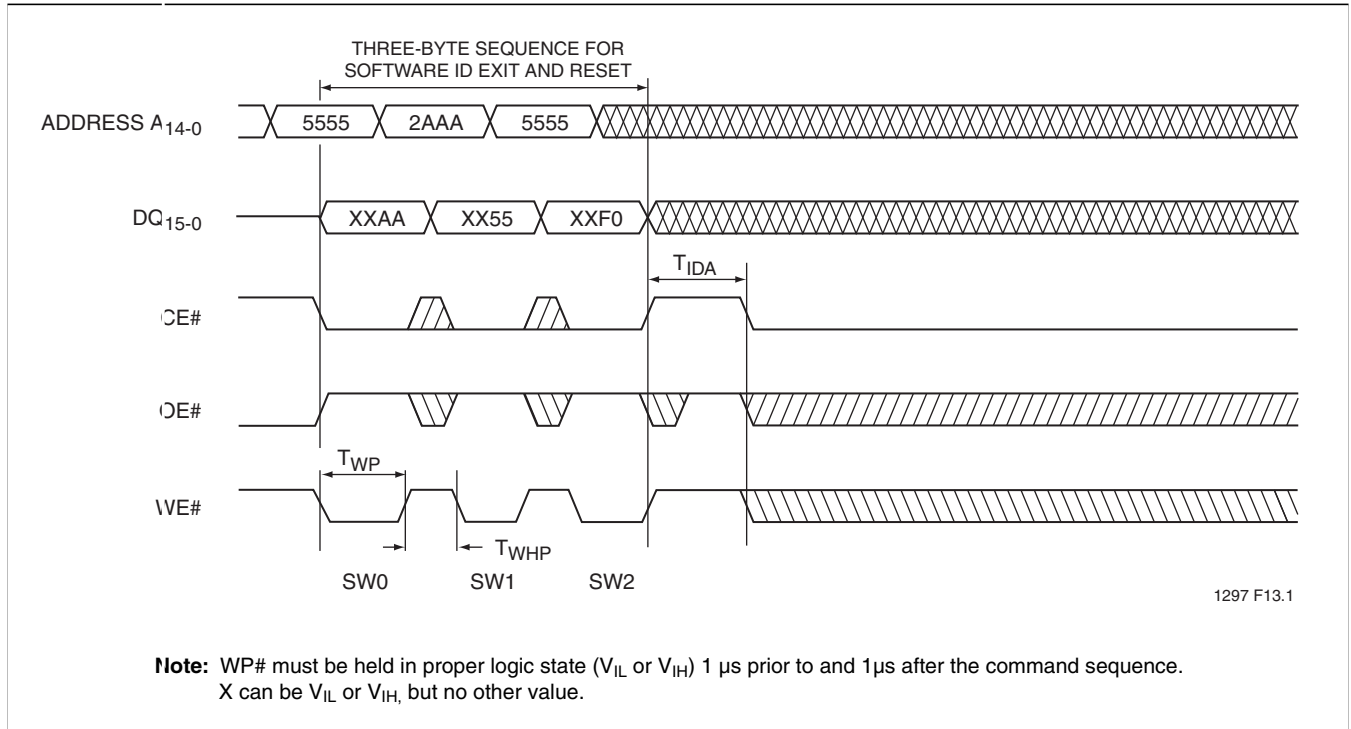


FIGURE 13: Software ID Exit/CFI Exit

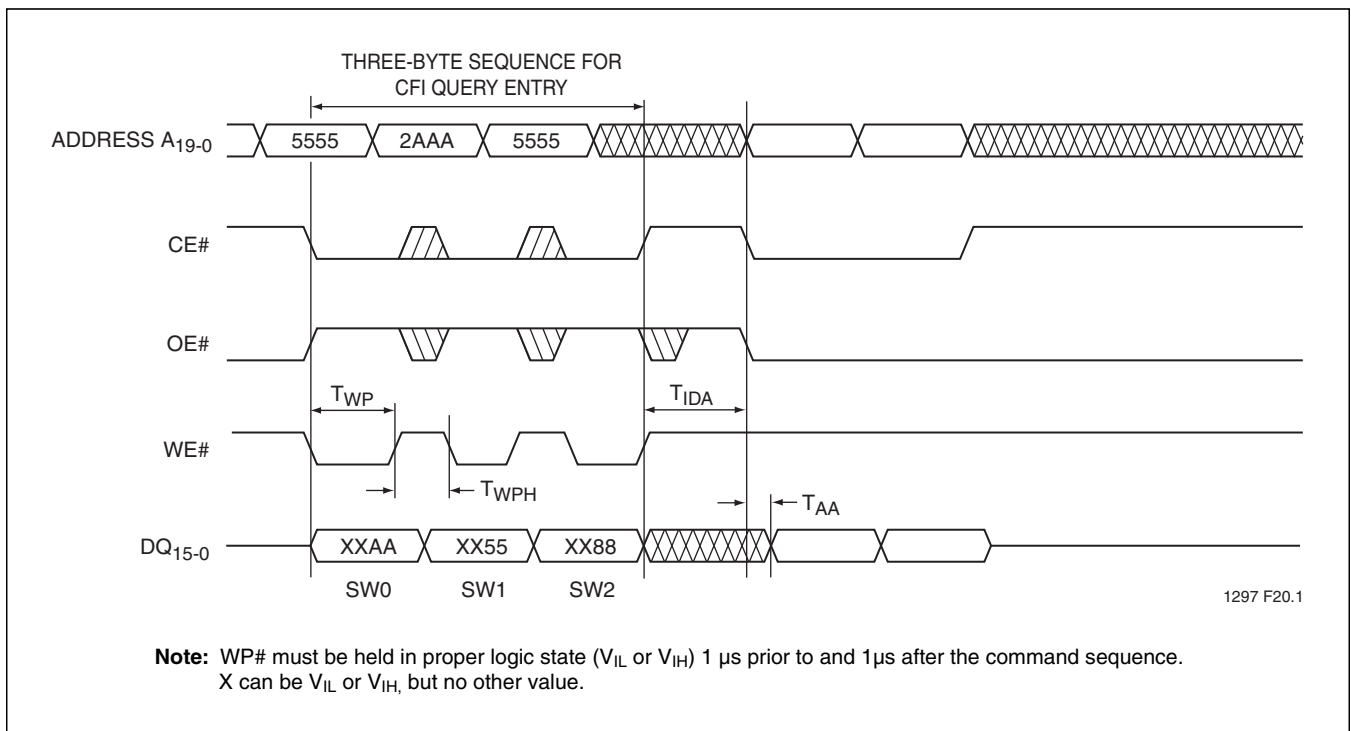


FIGURE 14: Sec ID Entry

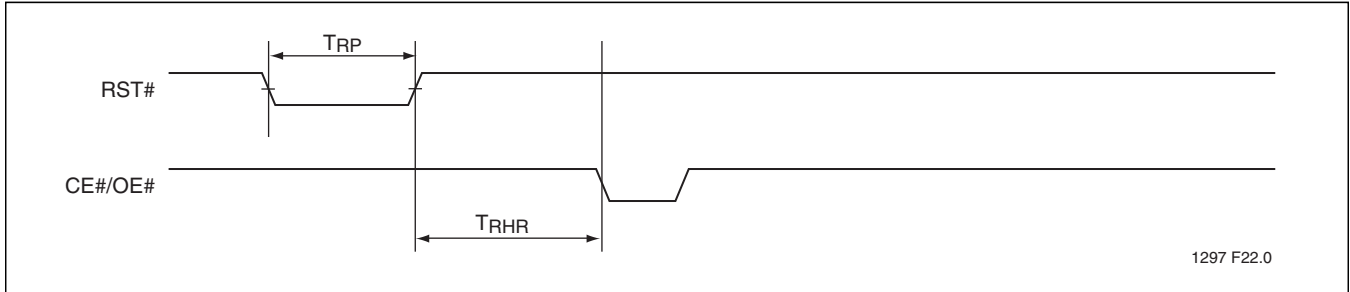


FIGURE 15: RST# Timing Diagram (When no internal operation is in progress)

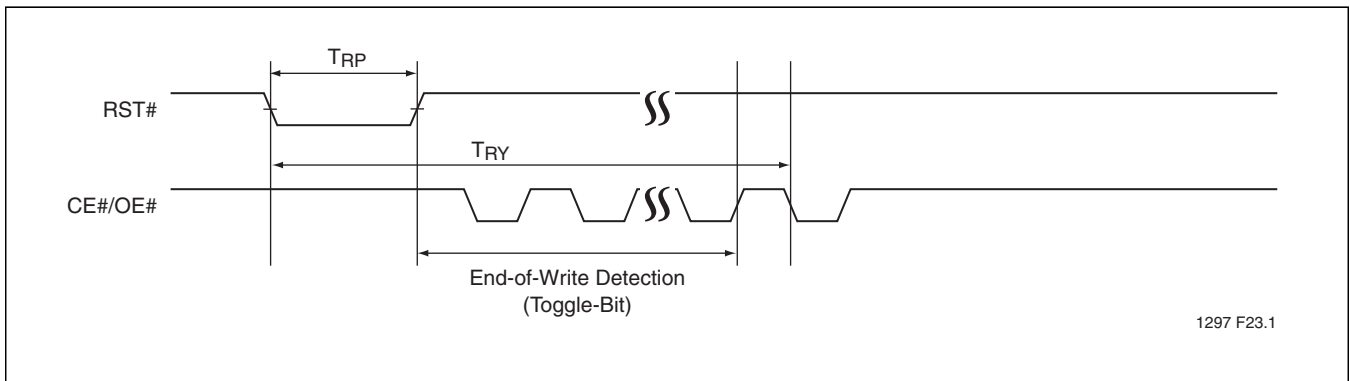
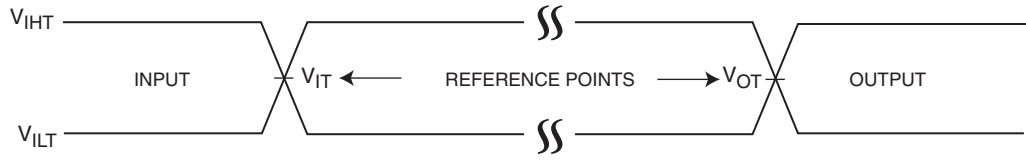


FIGURE 16: RST# Timing Diagram (During Program or Erase operation)

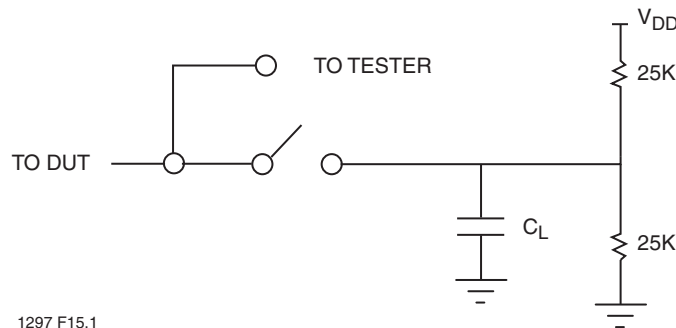


1297 F14.1

AC test inputs are driven at V_{IHT} ($0.9 V_{DD}$) for a logic "1" and V_{ILT} ($0.1 V_{DD}$) for a logic "0". Measurement reference points for inputs and outputs are V_{IT} ($0.5 V_{DD}$) and V_{OT} ($0.5 V_{DD}$). Input rise and fall times (10% \leftrightarrow 90%) are <5 ns.

Note: V_{IT} - V_{INPUT} Test
 V_{OT} - V_{OUTPUT} Test
 V_{IHT} - V_{INPUT} HIGH Test
 V_{ILT} - V_{INPUT} LOW Test

FIGURE 17: AC Input/Output Reference Waveforms



1297 F15.1

FIGURE 18: A Test Load Example

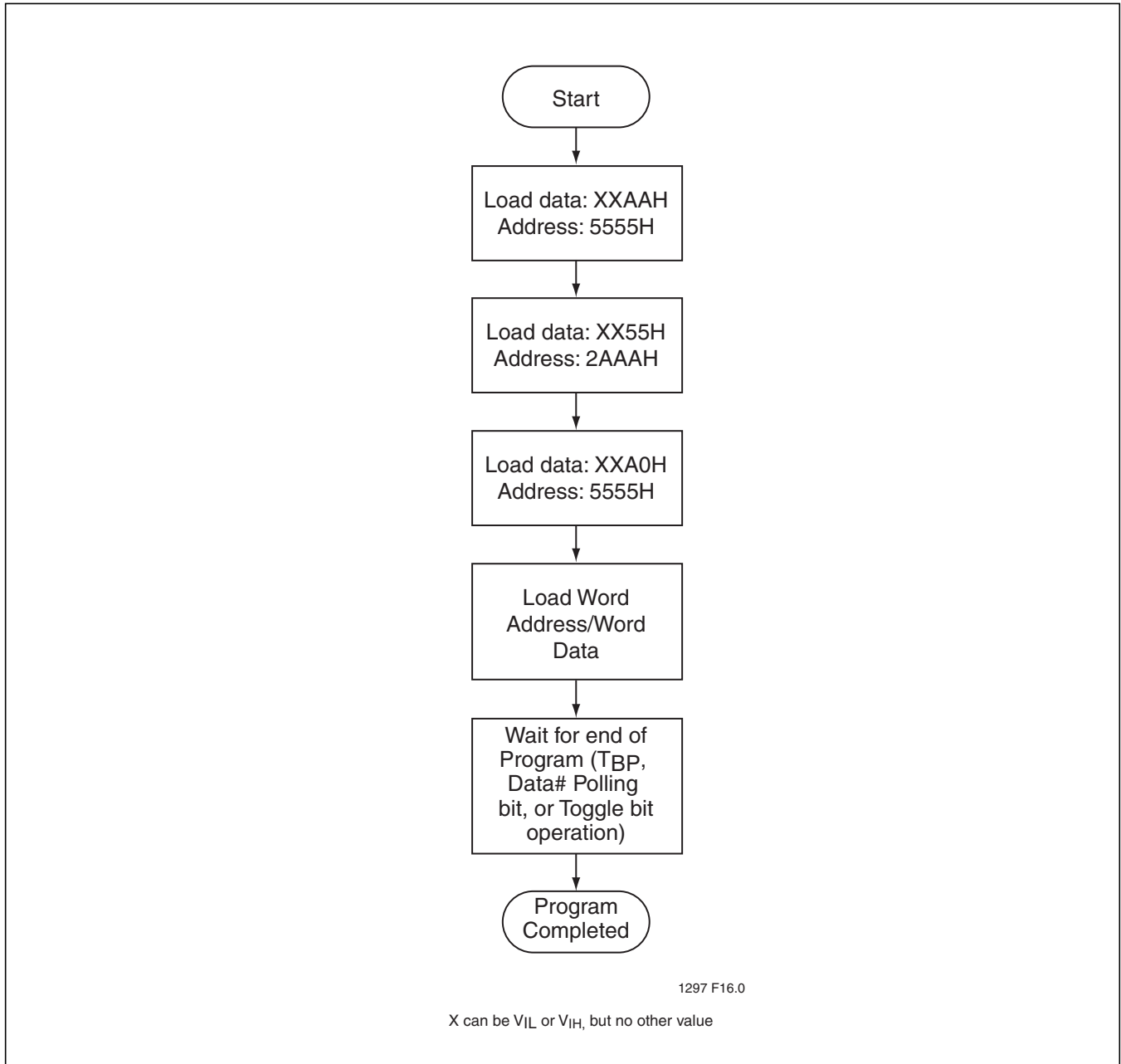


FIGURE 19: Word-Program Algorithm

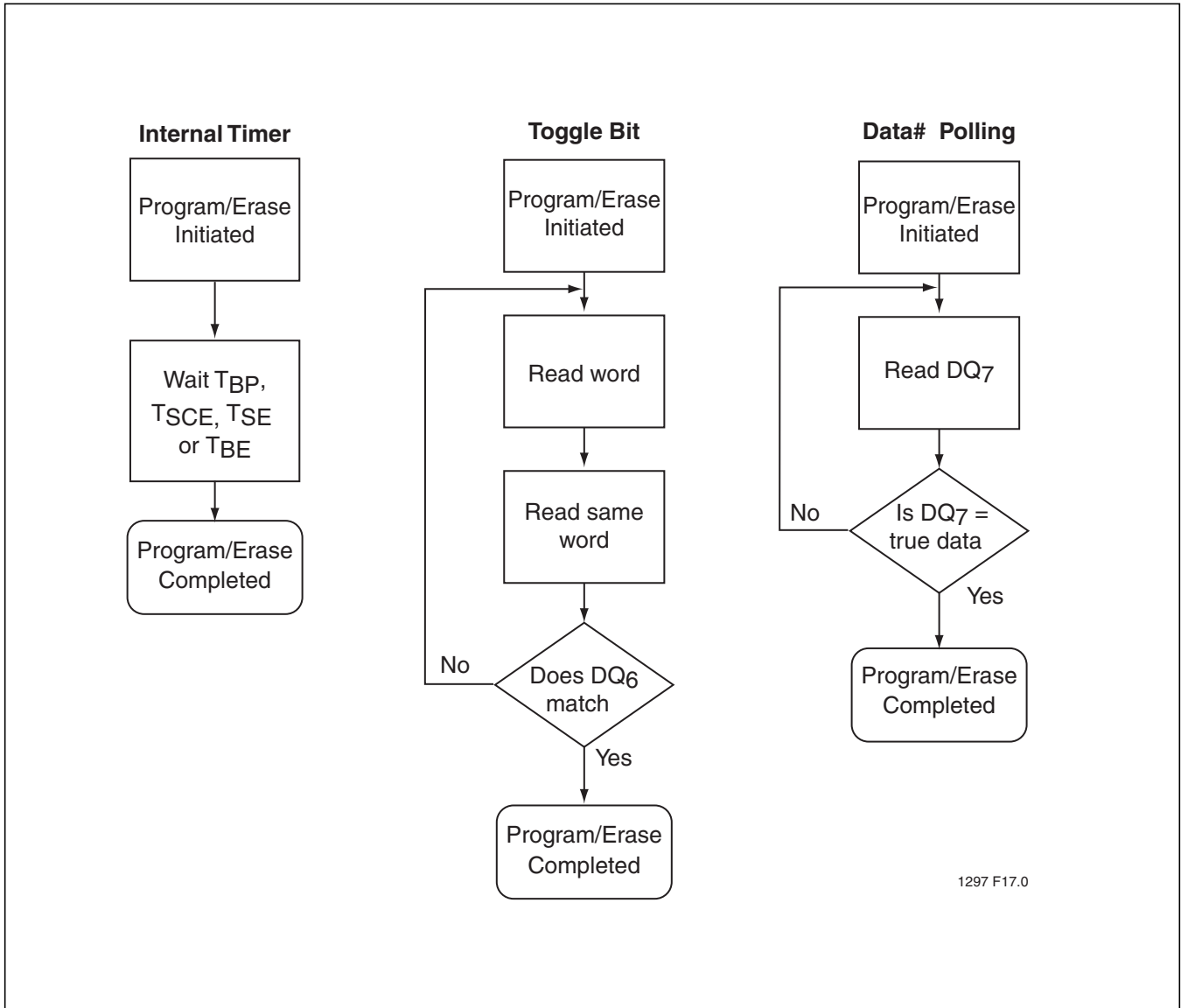


FIGURE 20: Wait Options

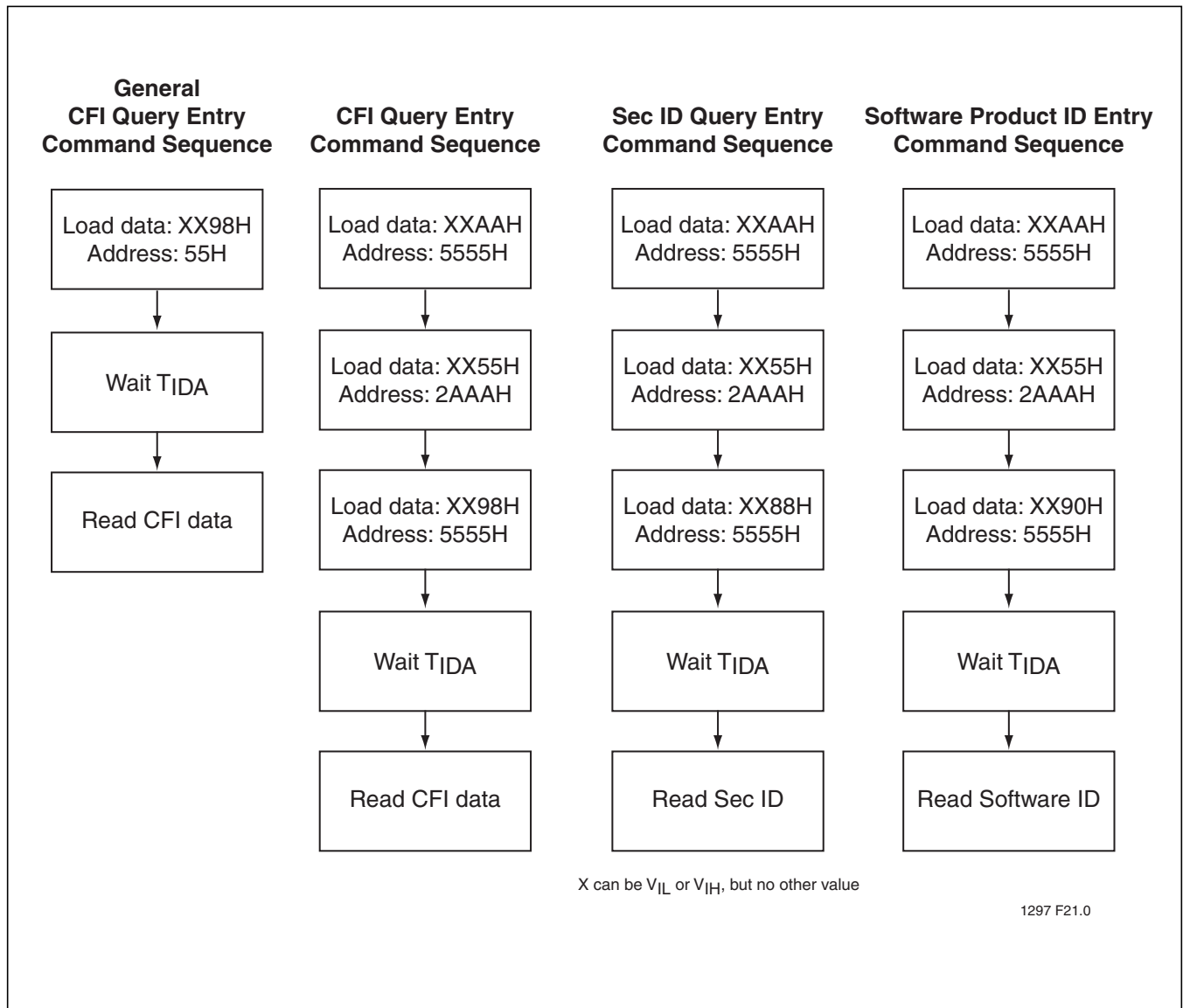


FIGURE 21: Software ID/CFI Entry Command Flowcharts

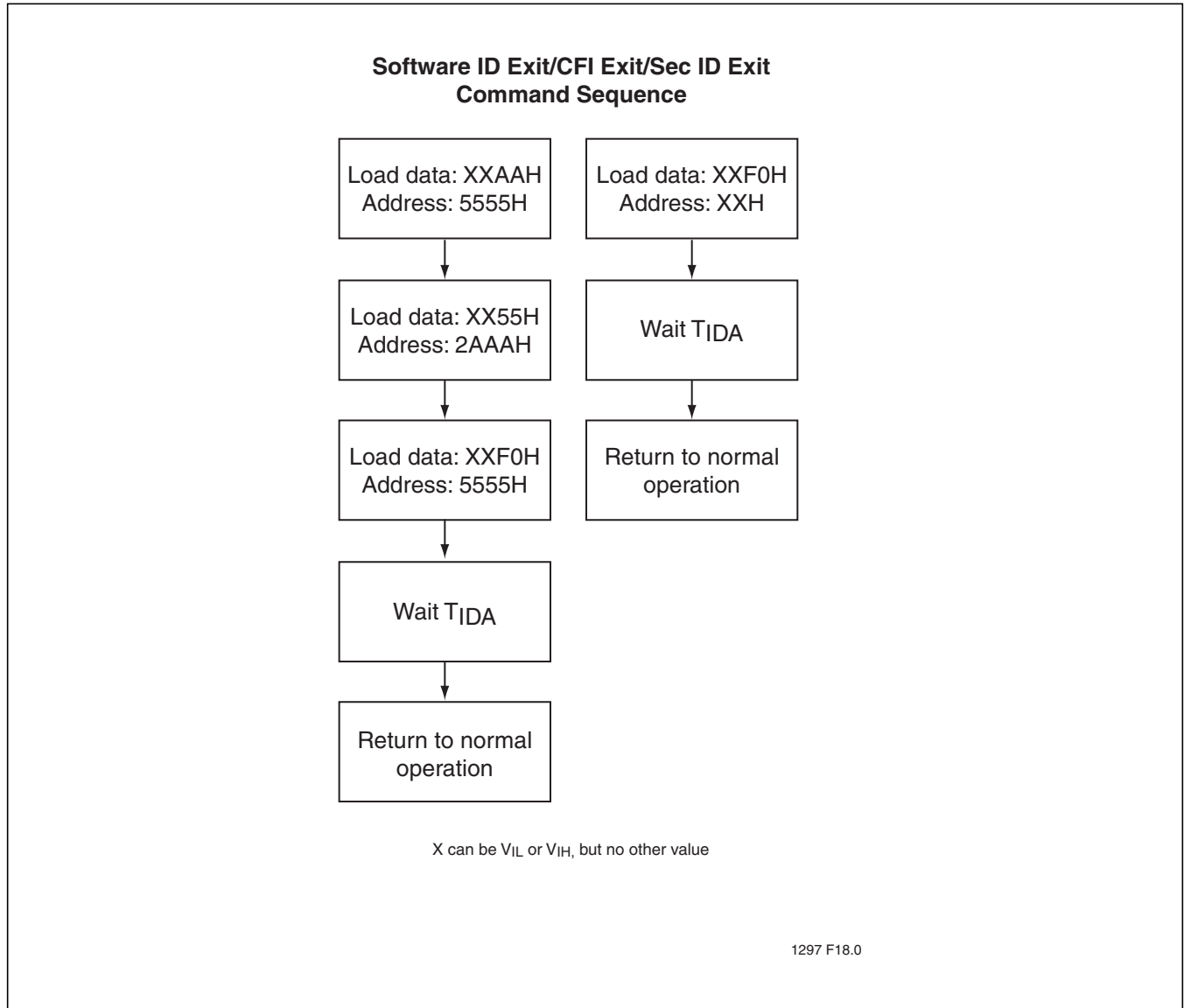


FIGURE 22: Software ID/CFI Exit Command Flowcharts

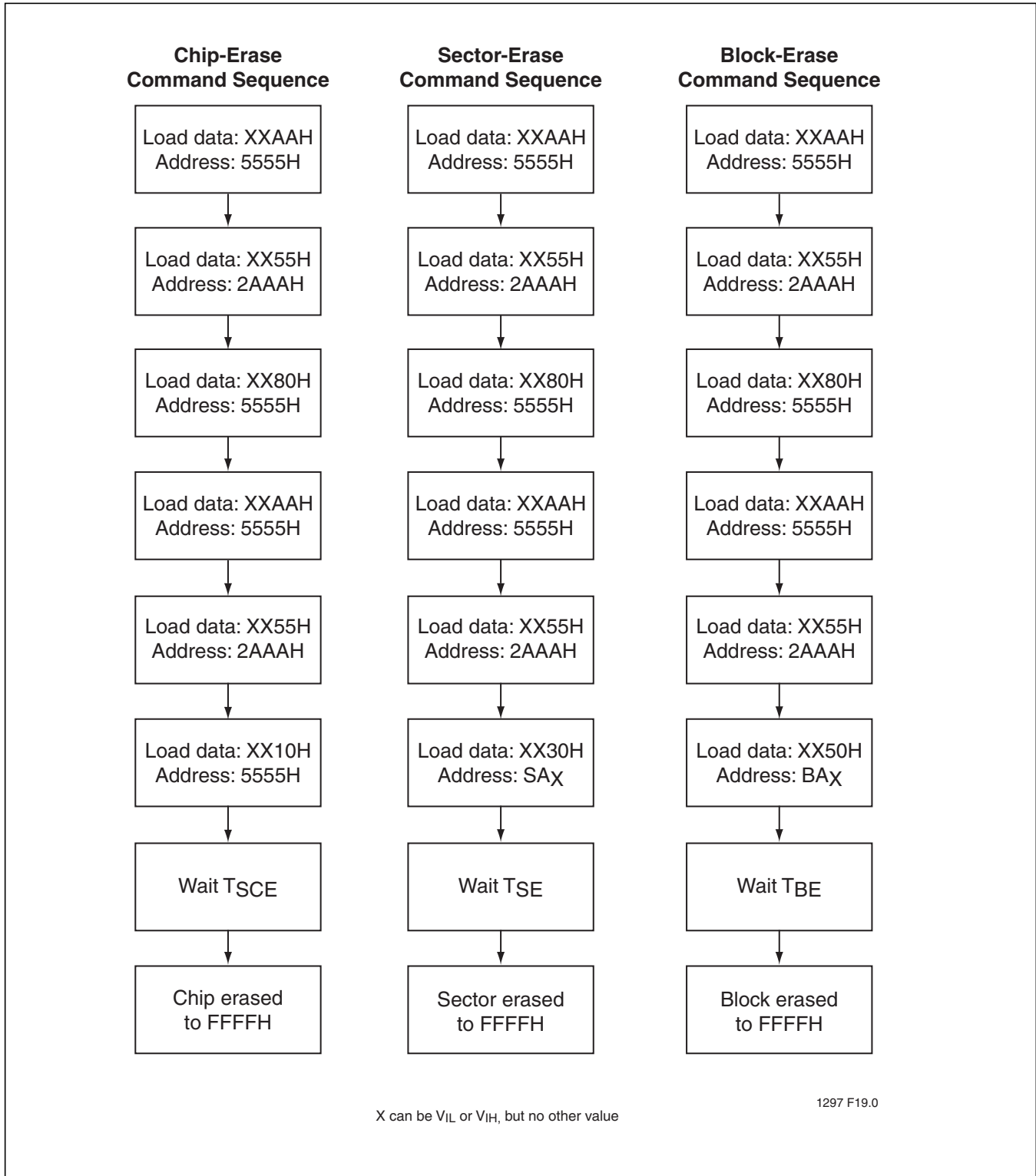


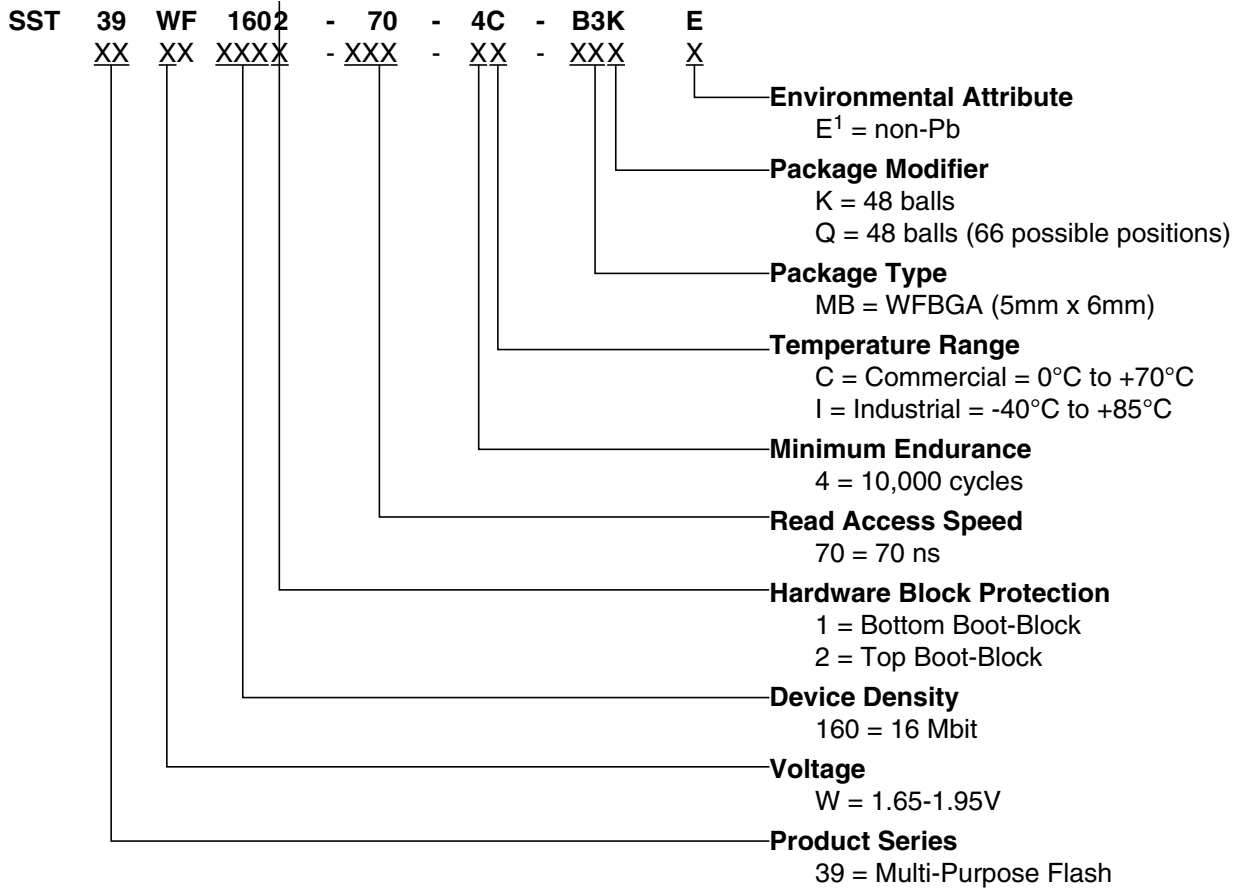
FIGURE 23: Erase Command Sequence



16 Mbit Multi-Purpose Flash Plus SST39WF1601 / SST39WF1602

EOL Data Sheet

PRODUCT ORDERING INFORMATION



1. Environmental suffix "E" denotes non-Pb solder.
SST non-Pb solder devices are "RoHS Compliant".

Valid Combinations for SST39WF1601

SST39WF1601-70-4C-MBQE

SST39WF1601-70-4I-MBQE

Valid Combinations for SST39WF1602

SST39WF1602-70-4C-MBQE

SST39WF1602-70-4I-MBQE

Note: Valid combinations are those products in mass production or will be in mass production. Consult your SST sales representative to confirm availability of valid combinations and to determine availability of new combinations.

PACKAGING DIAGRAMS

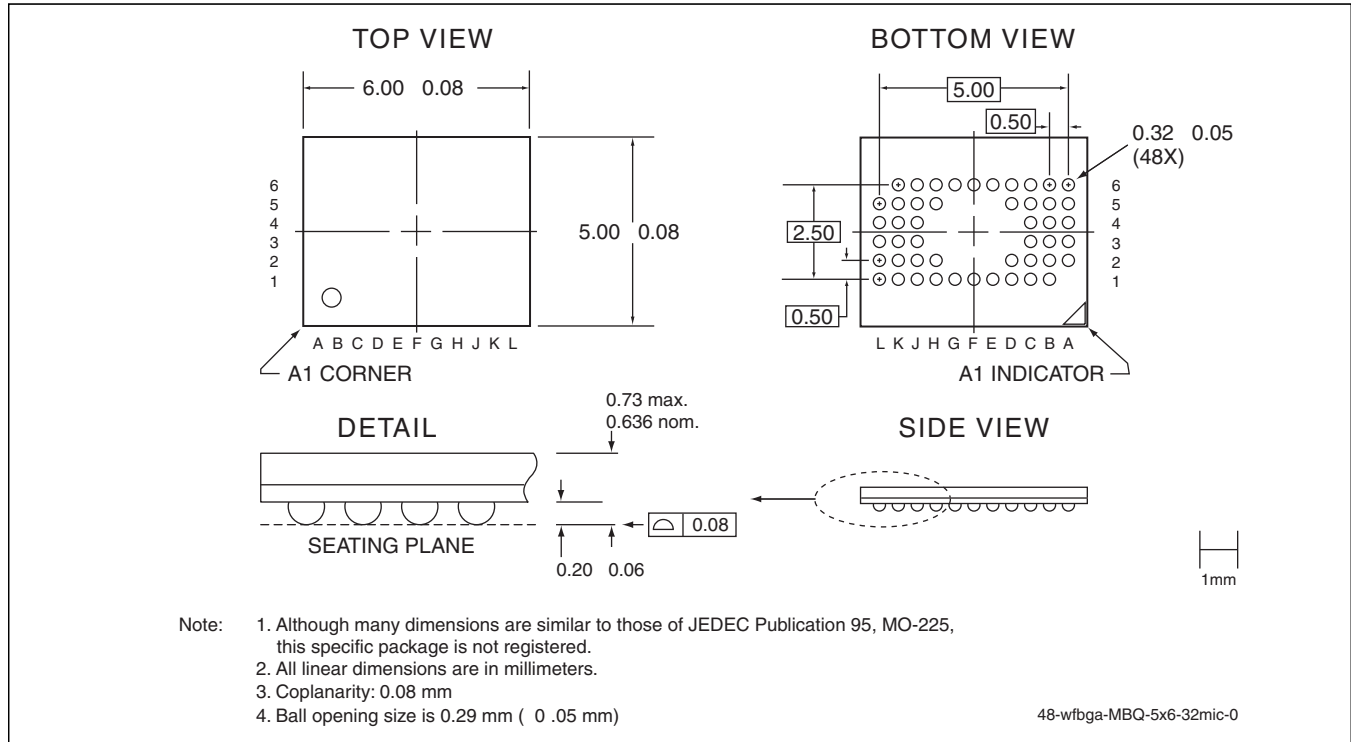


FIGURE 24: 48-ball Very-Very-Thin-Profile, Fine-pitch Ball Grid Array (WFBGA) 5mm x 6mm
SST Package Code MBQ

TABLE 16: Revision History

| Number | Description | Date |
|--------|---|----------|
| 00 | • Initial release of EOL data sheet for the MBQE package. | Jan 2011 |

Данный компонент на территории Российской Федерации

Вы можете приобрести в компании MosChip.

Для оперативного оформления запроса Вам необходимо перейти по данной ссылке:

<http://moschip.ru/get-element>

Вы можете разместить у нас заказ для любого Вашего проекта, будь то серийное производство или разработка единичного прибора.

В нашем ассортименте представлены ведущие мировые производители активных и пассивных электронных компонентов.

Нашей специализацией является поставка электронной компонентной базы двойного назначения, продукции таких производителей как XILINX, Intel (ex.ALTERA), Vicor, Microchip, Texas Instruments, Analog Devices, Mini-Circuits, Amphenol, Glenair.

Сотрудничество с глобальными дистрибьюторами электронных компонентов, предоставляет возможность заказывать и получать с международных складов практически любой перечень компонентов в оптимальные для Вас сроки.

На всех этапах разработки и производства наши партнеры могут получить квалифицированную поддержку опытных инженеров.

Система менеджмента качества компании отвечает требованиям в соответствии с ГОСТ Р ИСО 9001, ГОСТ РВ 0015-002 и ЭС РД 009

Офис по работе с юридическими лицами:

105318, г.Москва, ул.Щербаковская д.3, офис 1107, 1118, ДЦ «Щербаковский»

Телефон: +7 495 668-12-70 (многоканальный)

Факс: +7 495 668-12-70 (доб.304)

E-mail: info@moschip.ru

Skype отдела продаж:

moschip.ru

moschip.ru_4

moschip.ru_6

moschip.ru_9