

# Amphenol Pcd Relay Sockets

## MIL-PRF-12883

### Amphenol Pcd MIL-PRF-12883 Relay Sockets

Amphenol Pcd offers the industry's broadest line of pluggable relay sockets for commercial and military airborne, ground and shipboard equipment. Sockets are to MIL-PRF-12883 specifications, plus specialized requirements, and are supplied in a broad range of military standard and special configurations and styles for 2 through 25 amp operations.

Amphenol Pcd relay Sockets feature state of the art ultrasonically bonded interfaces between the dielectric components, which eliminate air paths and provide protection against moisture and degradation.



**Low Profile  
Relay Sockets**

**Extended Height  
Relay Sockets**

**Microminiature  
Relay Sockets**

**Board Mount  
Relay Sockets**

**Track Mount  
Relay Sockets**

**Solder Termination  
Relay Sockets**

### Key Features and Benefits

#### Socket Selection

Reference tables of QPL listings on Page 5, relays utilized with specific sockets on pages 6-7 and socket recommendations for military and commercial relays on pages 8-9 will assist in and simplify socket selection.

#### Socket Variations

##### Low Profile

Low Profile Relay Sockets are provided in all military configurations, are configured to a minimum size and weight, and accept the MIL-C-39029/92 contact family.

##### Extended Height

Extended Height Sockets are configured to accept the longer MIL-C-39029/5 contact - which is standard on many cylindrical connectors and other avionic interconnect systems - and allow contact standardization.

##### Mounting Hardware

Sockets are available with either fixed or loose mounting studs. Studs and hardware supplied with standard Amphenol Pcd QPL-listed sockets are cold rolled steel. Stainless steel is available as an alternate. To specify stainless steel, an "S" is added to both the QPL number and the Amphenol Pcd catalog number.

##### Mounting Style

Relay sockets can be top or bottom mounted. See appropriate catalog pages for mounting instructions.

##### Polarization

Relay-to-socket positive polarization is provided by specific contact configurations and/or polarizing pins, in accordance with MIL-Spec requirements.

##### Contact

Closed entry socket contacts qualified to MIL-C-39029 are utilized and supplied with Amphenol Pcd Relay Sockets. Note: Relay Socket catalog numbers include the appropriate number of contacts as defined in the applicable military specification.



# Military Qualified, QPL Listed Relay Socket Part Numbers

| Military Socket P/N | PCD Socket P/N | Page |
|---------------------|----------------|------|
| M12883/40-01        | RSL116079      | 10   |
| M12883/40-02        | RSL116081      | 10   |
| M12883/40-03        | RSL116083      | 10   |
| M12883/40-04        | RSL116085      | 10   |
| M12883/40-05        | RSL116087      | 10   |
| M12883/40-06        | RSL116089      | 10   |
| M12883/40-07        | RSL116051      | 10   |
| M12883/40-08        | RSL116053      | 10   |
| M12883/40-09        | RSL116055      | 10   |
| M12883/40-10        | RSL116057      | 10   |
| M12883/40-11        | RSL116059      | 10   |
| M12883/40-12        | RSL116061      | 10   |
| M12883/40-13        | RSE116661      | 11   |
| M12883/40-14        | RSE116663      | 11   |
| M12883/40-15        | RSE116665      | 11   |
| M12883/40-16        | RSE116667      | 11   |
| M12883/40-17        | RSE116669      | 11   |
| M12883/40-18        | RSE116671      | 11   |
| M12883/40-19        | RSE116673      | 11   |
| M12883/40-20        | RSE116675      | 11   |
| M12883/40-21        | RSE116677      | 11   |
| M12883/40-22        | RSE116679      | 11   |
| M12883/40-23        | RSE116681      | 11   |
| M12883/40-24        | RSE116683      | 11   |
| M12883/41-01        | RSL116091      | 12   |
| M12883/41-02        | RSL116093      | 12   |
| M12883/41-03        | RSL116095      | 12   |
| M12883/41-04        | RSL116097      | 12   |
| M12883/41-05        | RSL116099      | 12   |
| M12883/41-06        | RSL116063      | 12   |
| M12883/41-07        | RSL116065      | 12   |
| M12883/41-08        | RSL116067      | 12   |
| M12883/41-09        | RSL116069      | 12   |
| M12883/41-10        | RSL116071      | 12   |
| M12883/41-11        | RSE116685      | 13   |
| M12883/41-12        | RSE116687      | 13   |
| M12883/41-13        | RSE116689      | 13   |
| M12883/41-14        | RSE116691      | 13   |
| M12883/41-15        | RSE116693      | 13   |
| M12883/41-16        | RSE116695      | 13   |
| M12883/41-17        | RSE116697      | 13   |
| M12883/41-18        | RSE116699      | 13   |
| M12883/41-19        | RSE116701      | 13   |

| Military Socket P/N | PCD Socket P/N | Page |
|---------------------|----------------|------|
| M12883/41-20        | RSE116703      | 13   |
| M12883/44-01        | RSE120151      | 14   |
| M12883/44-02        | RSE120153      | 14   |
| M12883/44-03        | RSE120155      | 14   |
| M12883/44-04        | RSE120157      | 14   |
| M12883/45-01        | RSE120159      | 15   |
| M12883/45-02        | RSE120161      | 15   |
| M12883/45-03        | RSE120163      | 15   |
| M12883/45-04        | RSE120165      | 16   |
| M12883/45-05        | RSE120167      | 16   |
| M12883/45-06        | RSE120169      | 16   |
| M12883/46-01        | RSE116747      | 17   |
| M12883/46-02        | RSE116749      | 17   |
| M12883/46-03        | RSE116751      | 17   |
| M12883/46-04        | RSE116753      | 17   |
| M12883/47-01        | RSE116755      | 18   |
| M12883/47-02        | RSE116757      | 18   |
| M12883/47-04        | RSE116761      | 18   |
| M12883/47-05        | RSE116763      | 18   |
| M12883/47-07        | RSL116101      | 18   |
| M12883/47-08        | RSL116103      | 18   |
| M12883/47-10        | RSL116073      | 18   |
| M12883/47-11        | RSL116075      | 18   |
| M12883/48-01        | RSE112061      | 19   |
| M12883/48-02        | RSE112063      | 19   |
| M12883/48-03        | RSL112105      | 19   |
| M12883/48-04        | RSL112101      | 19   |
| M12883/48-05        | RSE112065      | 19   |
| M12883/48-06        | RSE112067      | 19   |
| M12883/48-07        | RSL112107      | 19   |
| M12883/48-08        | RSL112103      | 19   |
| M12883/52-001       | RSE116175      | 20   |
| M12883/52-002       | RSE116185      | 20   |
| M12883/52-003       | RSE116195      | 20   |
| M12883/53-001       | RST145005      | 20   |
| M12883/54-01        | RSE116627      | 21   |
| M12883/54-02        | RSE116631      | 21   |
| M12883/54-03        | RSE116629      | 21   |
| M12883/54-04        | RSE116635      | 21   |
| M12883/55-01        | RSE112035      | 22   |
| M12883/55-02        | RSE112036      | 22   |
| M12883/55-03        | RSE112044      | 22   |

## Stainless Steel Hardware

To specify Relay Sockets with Stainless Steel hardware, the suffix "S" is added to both the military and Aphenol Pcd part Numbers. For example, M12883/40-01 becomes M12883/40-01S, and the Aphenol Pcd equivalent RSL116079 becomes RSL116079-S.

# Relay Socket Cross Reference Chart

## Relay to Relay Socket

| Military Relay Part Number   | Military Socket Part Number  | APCD Socket Part Number  | Relay Type      | Page  |
|--|--|--|-----------------|-------|
| M83536/15-002<br>M83536/16-006, -014, -031, -034<br>M83726/1, /2, /3, /4, /28, /29, /30, /31*<br>MS27709-2 | M12883/40-01<br>M12883/40-05<br>M12883/40-07<br>M12883/40-11<br>M12883/40-13<br>M12883/40-17<br>M12883/40-19<br>M12883/40-23 | RSL116079<br>RSL116087<br>RSL116051<br>RSL116059<br>RSE116661<br>RSE116669<br>RSE116673<br>RSE116681 | 4 Pole / 10 Amp | 10-11 |
| M83536/17-002, 17-005  | M12883/40-02<br>M12883/40-08<br>M12883/40-14<br>M12883/40-20   | RSL116081<br>RSL116053<br>RSE116663<br>RSE116675   | 4 Pole / 10 Amp | 10-11 |
| M83536/18-002, -005, -008, -012<br>M83536/19-002, -005, -008, -012<br>M83536/20-002                        | M12883/40-06<br>M12883/40-12<br>M12883/40-18<br>M12883/40-24   | RSL116089<br>RSL116061<br>RSL116671<br>RSE116683   | 4 Pole / 10 Amp | 10-11 |
| M83536/21-006, -014, -022, -030<br>M83536/22-006, -014, -022, -031   | M12883/46-01   | RSE116747  | 3 Pole / 10 Amp | 17    |
| M83536/25-002<br>M83536/26-002   | M12883/47-01<br>M12883/47-04<br>M12883/47-07<br>M12883/47-10   | RSE116755<br>RSE116761<br>RSL116101<br>RSL116073   | 6 Pole / 10 Amp | 18    |
| M6106/27-002   | M12883/47-02<br>M12883/47-05<br>M12883/47-08<br>M12883/47-11   | RSE116757<br>RSE116763<br>RSL116103<br>RSL116075   | 6 Pole / 10 Amp | 18    |
| MS27742-2  | M12883/54-04   | RSE116635  | 3 Pole / 25 Amp | 21    |
| MS27743-06, -12, -18, -24  | M12883/48-01<br>M12883/48-02<br>M12883/48-03<br>M12883/48-04   | RSE112061<br>RSE112063<br>RSL112105<br>RSL112101   | 3 Pole / 25 Amp | 19    |
| MS27743-09, -15, -21, -27  | M12883/48-05<br>M12883/48-06<br>M12883/48-07<br>M12883/48-08   | RSE112065<br>RSE112067<br>RSL112107<br>RSL112103   | 3 Pole / 25 Amp | 19    |
| Leach Corp. JA-D4E & J   | M12883/41-03<br>M12883/41-08<br>M12883/41-13<br>M12883/41-18   | RSL116095<br>RSL116067<br>RSE116689<br>RSE116699   | 2 Pole / 10 Amp | 12-13 |
| Leach Corp. KA-D4E & J   | M12883/40-04<br>M12883/40-10<br>M12883/40-16<br>M12883/40-22   | RSL116085<br>RSL116057<br>RSE116667<br>RSE116679   | 4 Pole / 10 Amp | 10-11 |

\* Applies to all plug-in dash numbered relays of these documents

# Relay Socket Cross Reference Chart

## Relay to Relay Socket

| Military Relay Part Number  | Military Socket Part Number  | APCD Socket Part Number  | Relay Type                    | Page  |
|---|--|--|-------------------------------|-------|
| M6106/12-002  | M12883/54-03   | RSE116629  | 3 Pole / 25 Amp               | 21    |
| M6106/13-002,-008,-011,-013,-015  | M12883/54-01   | RSE116627  | 3 Pole / 25 Amp               | 21    |
| M6106/13-004  | M12883/54-02   | RSE116631  | 3 Pole / 25 Amp               | 21    |
| M6106/19-004,-007,-012,-017,-022  | M12883/55-01, M12883/55-02   | RSE112035, RSE112036   | 1 Pole / 25 Amp               | 22    |
| M6106/20-002  | M12883/55-03   | RSE112044  | 1 Pole / 25 Amp               | 22    |
| M6106/38-002  | M12883/45-04   | RSE120165  | 2 Pole / 5 Amp                | 15-16 |
| M6106/40-002  | M12883/46-02   | RSE116749  | 3 Pole / 5 Amp                | 17    |
| M83536/1-006,-015,-024,-033<br>M83536/2-006,-015,-024,-035                | M12883/45-01   | RSE120159  | 2 Pole / 5 Amp                | 15-16 |
| M83536/2-028, M83726/24, /25  | M12883/52-001  | RSE116175  | Track Mount<br>2 Pole / 5 Amp | 20    |
| M83536/5-006,-014, -022, -030<br>M83536/6-006, -015, -022, -032           | M12883/44-01   | RSE120151  | 4 Pole / 5 Amp                | 14    |
| M83536/6-025  | M12883/52-002  | RSE116185  | Track Mount<br>4 Pole / 5 Amp | 20    |
| M83536/7-022  | M12883/44-02   | RSE120153  | 4 Pole / 5 Amp                | 14    |
| M83536/9, -006, -015, -024, -035<br>M83536/10-006,-015,-024,<br>-034,-038 | M12883/41-01<br>M12883/41-04<br>M12883/41-06<br>M12883/41-09<br>M12883/41-11<br>M12883/41-14<br>M12883/41-16<br>M12883/41-19 | RSL116091<br>RSL116097<br>RSL116063<br>RSL116069<br>RSE116685<br>RSE116691<br>RSE116695<br>RSE116701 | 2 Pole / 10 Amp               | 12-13 |
| M83536/11-002, 004, 007   | M12883/41-02<br>M12883/41-07<br>M12883/41-12<br>M12883/41-17   | RSL116093<br>RSL116065<br>RSE116687<br>RSE116697   | 2 Pole / 10 Amp               | 12-13 |
| M83536/13-002, 005, 008, 012<br>M83536/14-002                             | M12883/41-05<br>M12883/41-10<br>M12883/41-15<br>M12883/41-20   | RSL116099<br>RSL116071<br>RSE116693<br>RSE116703   | 2 Pole / 10 Amp               | 12-13 |

\* Applies to all plug-in dash numbered relays of these documents

# MIL-PRF-12883/40

## Extended Height RSL 4 Pole/10 Amp

### Relay Sockets



Mates with M83536, M6106, M27709, M83726 Relays

#### Operating Range

Temperature:

-65°C to 125°C

Insulation Resistance:

1000 Megaohms Min.

Dielectric Withstanding Voltage:

1500 VRMS at Sea Level

500 VRMS at 80,000 ft.

Vibration:

MIL-STD-202, Method 204

Test Condition G

Shock:

MIL-STD-202, Method 213

Test Condition C

#### Materials

Module Body:

Polyetherimide per ASTM-D5205

Grommet:

Silicone Rubber per A-A-59588

Hardware:

Stainless Steel or Steel w/

Cadmium Chromate Finish

Contact Retainers:

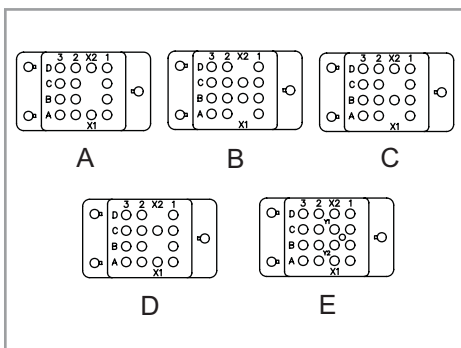
Stainless Steel

Socket Contacts:

Stainless Steel, Hard Gold Plated in

Accordance with SAE-AMS-2422

### Socket Configurations



### Extended Height Relay Sockets

| MIL P/N<br>M12883 | APCD<br>P/N | Mounting<br>Stud | QTY | Size <sup>1</sup> | Contact Config.<br>P/N | Mating Relay  |
|-------------------|-------------|------------------|-----|-------------------|------------------------|---|
| /40-01            | RSL116079   | Loose            | 14  | 16/16             | /5-116 A               | M83536/15-022, M83536/16-006,-014,-031,-034<br>M83726/1,2,3,4,28,29,30,31*, M27709-02 |
| /40-02            | RSL116081   | Loose            | 14  | 16/16             | /5-116 B               | M83536/17-002,-005  |
| /40-03            | RSL116083   | Loose            | 14  | 16/16             | /5-116 C               |   |
| /40-04            | RSL116085   | Loose            | 14  | 16/16             | /5-116 D               | Leach Corp KA-D4E & J   |
| /40-05            | RSL116087   | Loose            | 14  | 16/20             | /5-117 A               | M83536/15-022, M83536/16-006,-014,-031,-034<br>M83726/1,2,3,4,28,29,31,31, N27709-02  |
| /40-06            | RSL116089   | Loose            | 16  | 16/16             | /5-116 E               | M83536/18-002,005,008,012<br>M83536/19-002,008,012, M83536/20-002                     |
| /40-07            | RSL116051   | Fixed            | 14  | 16/16             | /5-116 A               | M83536/15-022, M83536/16-006,-014,-031,-034<br>M83726/1,2,3,4,28,29,31,31, N27709-02  |
| /40-08            | RSL116053   | Fixed            | 14  | 16/16             | /5-116 B               | M83536/17-002,-005  |
| /40-09            | RSL116055   | Fixed            | 14  | 16/16             | /5-116 C               |   |
| /40-10            | RSL116057   | Fixed            | 14  | 16/16             | /5-116 D               | Leach Corp KA-D4E & J   |
| /40-11            | RSL116059   | Fixed            | 14  | 16/20             | /5-117 A               | M83536/15-022, M83536/16-006,-014,-031,-034<br>M83726/1,2,3,4,28,29,31,31, M27709-02  |
| /40-12            | RSL116061   | Fixed            | 16  | 16/16             | /5-116 E               | M83536/18-002,-005,-008,-012<br>M83536/19-002,-008,-012, M83536/20-002                |

<sup>1</sup>Mating End / Wire Barrel

\*Applies to all plug-in type relays of these documents

Mounting instructions can be found on page 26

### Relay Socket Weight

| Relay Socket    | Pounds | Grams |
|-----------------|--------|-------|
| Extended Height | .132   | 60    |

### Recommended Mounting Panel Cutout

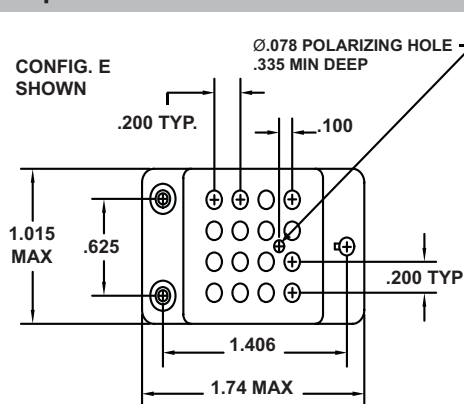


### Relay Socket Dimensions

#### Side View



#### Top View



# MIL-PRF-12883/40

## Low Profile RSE 4 Pole/10 Amp

### Operating Range

#### Temperature:

-65°C to 125°C

#### Insulation Resistance:

1000 Megaohms Min.

#### Dielectric Withstanding Voltage:

1500 VRMS at Sea Level

500 VRMS at 80,000 ft.

#### Vibration:

MIL-STD-202, Method 204

Test Condition G

#### Shock:

MIL-STD-202, Method 213

Test Condition C

### Materials

#### Module Body:

Polyetherimide per ASTM-D5205

#### Grommet:

Silicone Rubber per A-A-59588

#### Hardware:

Stainless Steel or Steel w/

Cadmium Chromate Finish

#### Contact Retainers:

Stainless Steel

#### Socket Contacts:

Stainless Steel, Hard Gold Plated in

Accordance with SAE-AMS-2422



Mates with M83536, M6106, M27709, M83726 Relays

### Low Profile Relay Sockets

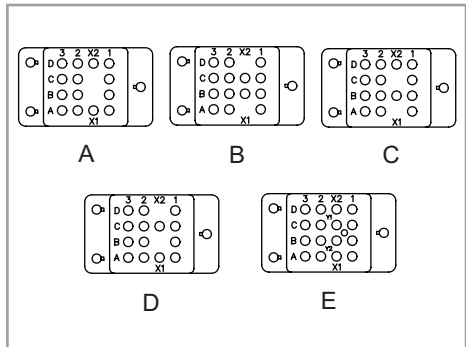
| MIL P/N<br>M12883 | APCD<br>P/N | Mounting<br>Stud | QTY | Size <sup>1</sup> | Contact<br>P/N | Config. | Mating Relay  |
|-------------------|-------------|------------------|-----|-------------------|----------------|---------|---|
| /40-13            | RSE116661   | Loose            | 14  | 16/16             | /92-533        | A       | M83536/15-022, M83536/16-006,-014,-031,-034<br>M83726/1,2,3,4,28,29,30,31*, M27709-02 |
| /40-14            | RSE116663   | Loose            | 14  | 16/16             | /92-533        | B       | M83536/17-002, 005  |
| /40-15            | RSE116665   | Loose            | 14  | 16/16             | /92-533        | C       |   |
| /40-16            | RSE116667   | Loose            | 14  | 16/16             | /92-533        | D       | Leach Corp KA-D4E & J   |
| /40-17            | RSE116669   | Loose            | 14  | 16/20             | /92-594        | A       | M83536/15-022, M83536/16-006,-014,-031,-034<br>M83726/1,2,3,4,28,29,30,31*, M27709-02 |
| /40-18            | RSE116671   | Loose            | 16  | 16/16             | /92-533        | E       | M83836/18-002,-005,-012<br>M83536/19-002,-005,-008,-012, M83536/20-002                |
| /40-19            | RSE116673   | Fixed            | 14  | 16/16             | /92-533        | A       | M83536/15-022, M83536/16-006,-014,-031,-034<br>M83726/1,2,3,4,28,29,30,31*, M27709-02 |
| /40-20            | RSE116675   | Fixed            | 14  | 16/16             | /92-533        | B       | M83536/17-002, 005  |
| /40-21            | RSE116677   | Fixed            | 14  | 16/16             | /92-533        | C       |   |
| /40-22            | RSE116679   | Fixed            | 14  | 16/16             | /92-533        | D       | Leach Corp KA-D4E & J   |
| /40-23            | RSE116681   | Fixed            | 14  | 16/20             | /92-534        | A       | M83536/15-022, M83536/16-006,-014,-031,-034<br>M83726/1,2,3,4,28,29,30,31*, M27709-02 |
| /40-24            | RSE116683   | Fixed            | 16  | 16/16             | /92-533        | E       | M83836/18-002,-005,-012<br>M83536/19-002,-005,-008,-012, M83536/20-002                |

<sup>1</sup>Mating End / Wire Barrel

\*Applies to all plug-in type relays of these documents

Mounting instructions can be found on page 26

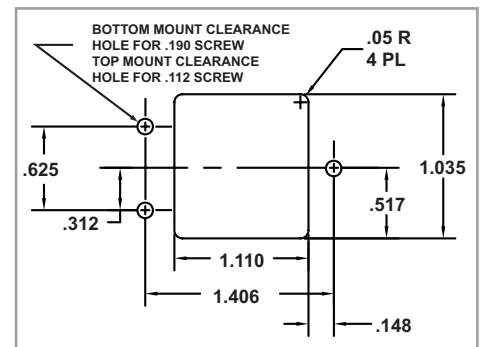
### Socket Configurations



### Relay Socket Weight

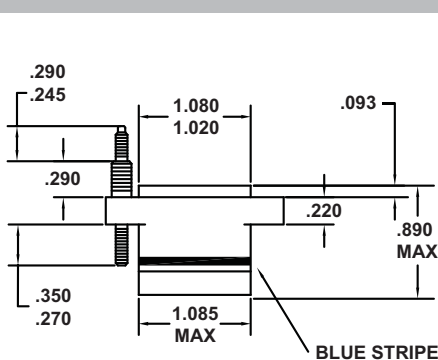
| Relay Socket | Pounds | Grams |
|--------------|--------|-------|
| Low Profile  | .100   | 45    |

### Recommended Mounting Panel Cutout



### Relay Socket Dimensions

#### Side View



#### Top View



Amphenol Pcd

# MIL-PRF-12883/41

## Extended Height RSL 2 Pole/10 Amp

### Relay Sockets



Mates with M83536, M6106 Relays

#### Operating Range

**Temperature:**

-65°C to 125°C

**Insulation Resistance:**

1000 Megaohms Min.

**Dielectric Withstanding Voltage:**

1500 VRMS at Sea Level

500 VRMS at 80,000 ft.

**Vibration:**

MIL-STD-202, Method 204

Test Condition G

**Shock:**

MIL-STD-202, Method 213

Test Condition C

#### Materials

**Module Body:**

Polyetherimide per ASTM-D5205

**Grommet:**

Silicone Rubber per A-A-59588

**Hardware:**

Stainless Steel or Steel w/

Cadmium Chromate Finish

**Contact Retainers:**

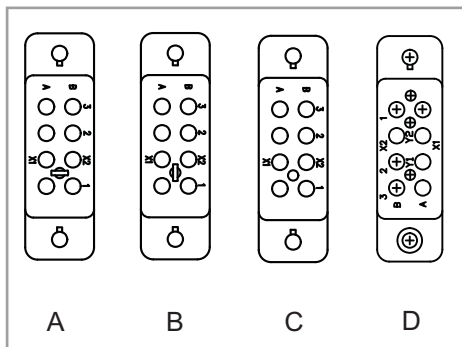
Stainless Steel

**Socket Contacts:**

Stainless Steel, Hard Gold Plated in

Accordance with SAE-AMS-2422

### Socket Configurations



### Extended Height Relay Sockets

| MIL P/N<br>M12883 | APCD<br>P/N | Mounting<br>Stud | QTY | Size* | Contact<br>P/N | Config. | Mating Relay   |
|-------------------|-------------|------------------|-----|-------|----------------|---------|--|
| /41-01            | RSL116091   | Loose            | 8   | 16/16 | /5-116         | C       | M83536/9-006, 015, 024, 035<br>M83536/10-006, 015, 024, 034, 038 |
| /41-02            | RSL116093   | Loose            | 8   | 16/16 | /5-116         | B       | M83536/11-002, 004, 007  |
| /41-03            | RSL116095   | Loose            | 8   | 16/16 | /5-116         | A       | Leach Corp JA-D4E & J  |
| /41-04            | RSL116097   | Loose            | 8   | 16/20 | /5-117         | C       | M83536/9-006, 015, 024, 035<br>M83536/10-006, 015, 024, 034, 038 |
| /41-06            | RSL116063   | Fixed            | 8   | 16/16 | /5-116         | C       | M83536/9-006, 015, 024, 035<br>M83536/10-006, 015, 024, 034, 038 |
| /41-07            | RSL116065   | Fixed            | 8   | 16/16 | /5-116         | B       | M83536/11-002, 004, 007  |
| /41-08            | RSL116067   | Fixed            | 8   | 16/16 | /5-116         | A       | Leach Corp JA-D4E & J  |
| /41-09            | RSL116069   | Fixed            | 8   | 16/20 | /5-117         | C       | M83536/9-006, 015, 024, 035<br>M83536/10-006, 015, 024, 034, 038 |
| /41-05            | RSL116099   | Loose            | 8   | 16/16 | /5-116         | D       | M83536/13-002,-005,-008,-012<br>M83536/13-002,-005,-008,-012     |
|                   |             |                  | 2   | 22/22 | /101-553       |         |  |
| /41-10            | RSL116071   | Fixed            | 8   | 16/16 | /5-116         | D       | M83536/13-002,-005,-008,-012<br>M83536/13-002,-005,-008,-012     |
|                   |             |                  | 2   | 22/22 | /101-553       |         |  |

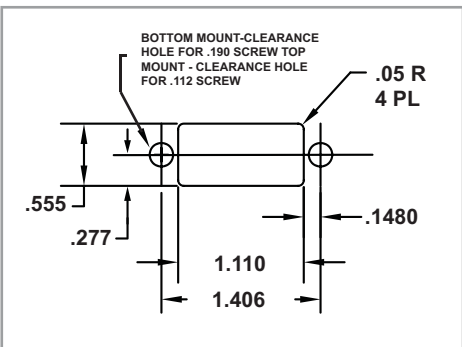
\*Mating End / Wire Barrel

Mounting instructions can be found on page 25

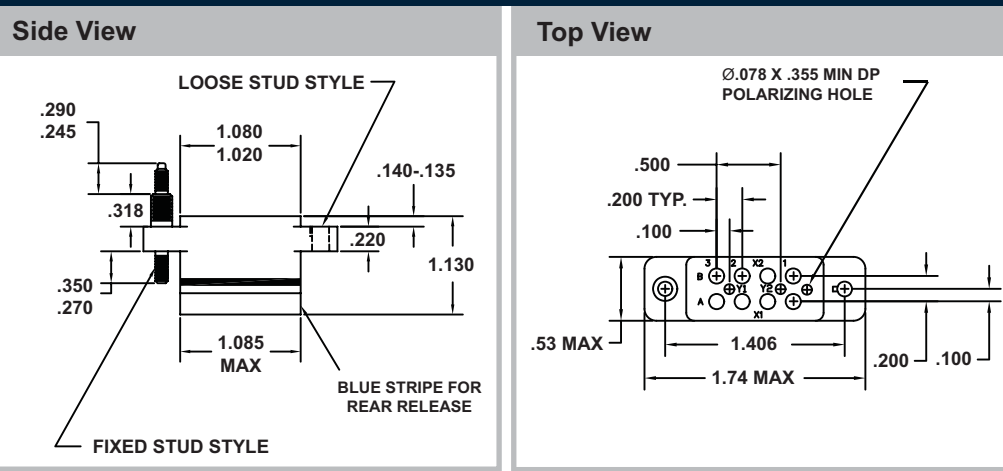
### Relay Socket Weight

| Relay Socket    | Pounds | Grams |
|-----------------|--------|-------|
| Extended Height | .073   | 33    |

### Recommended Mounting Panel Cutout



### Relay Socket Dimensions



# MIL-PRF-12883/41

## Low Profile RSE 2 Pole/10 Amp

### Operating Range

#### Temperature:

-65°C to 125°C

#### Insulation Resistance:

1000 Megaohms Min.

#### Dielectric Withstanding Voltage:

1500 VRMS at Sea Level

500 VRMS at 80,000 ft.

#### Vibration:

MIL-STD-202, Method 204

Test Condition G

#### Shock:

MIL-STD-213, Method 213

Test Condition C

### Materials

#### Module Body:

Polytherimide per ASTM-D5205

#### Grommet:

Silicone Rubber per A-A-59588

#### Hardware:

Stainless Steel or Steel w/

Cadmium Chromate Finish

#### Contact Retainers:

Stainless Steel

#### Socket Contacts:

Copper Alloy, Hard Gold Plated in

Accordance with SAE-AMS 2422



Mates with M83536, M6106 Relays

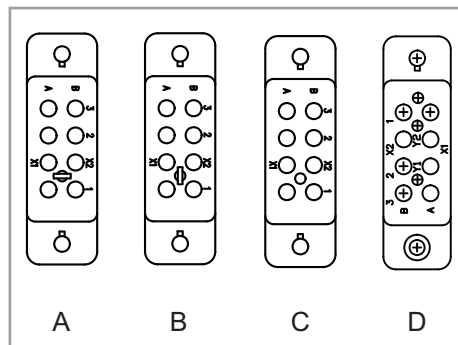
### Low Profile Relay Sockets

| MIL P/N<br>M12883 | APCD<br>P/N | Mounting<br>Stud | QTY | Size* | Contact<br>P/N | Config. | Mating Relay   |
|-------------------|-------------|------------------|-----|-------|----------------|---------|--|
| /40-11            | RSE116685   | Loose            | 8   | 16/16 | /92-533        | C       | M83536/9-006, 015, 024, 035<br>M83536/10-006, 015, 024, 034, 038 |
| /40-12            | RSE116687   | Loose            | 8   | 16/16 | /92-533        | B       | M83536/11-002, 004, 007  |
| /40-13            | RSE116691   | Loose            | 8   | 16/16 | /92-533        | A       | Leach Corp JA-D4E & J  |
| /40-14            | RSE116693   | Loose            | 8   | 16/20 | /92-534        | C       | M83536/9-006, 015, 024, 035<br>M83536/10-006, 015, 024, 034, 038 |
| /40-16            | RSE116695   | Fixed            | 8   | 16/16 | /92-533        | C       | M83536/9-006, 015, 024, 035<br>M83536/10-006, 015, 024, 034, 038 |
| /40-17            | RSE116697   | Fixed            | 8   | 16/16 | /92-533        | B       | M83536/11-002, 004, 007  |
| /40-18            | RSE116699   | Fixed            | 8   | 16/16 | /92-533        | A       | Leach Corp JA-D4E & J  |
| /40-19            | RSE116701   | Fixed            | 8   | 16/20 | /92-534        | C       | M83536/9-006, 015, 024, 035<br>M83536/10-006, 015, 024, 034, 038 |
| /41-15            | RSE116693   | Loose            | 8   | 16/16 | /92-553        | D       | M83536/13-002,-005,-008,-012<br>M83536/13-002,-005,-008,-012     |
|                   |             |                  | 2   | 22/22 | /92-551        |         |  |
| /41-20            | RSE116703   | Fixed            | 8   | 16/16 | /92-553        | D       | M83536/13-002,-005,-008,-012<br>M83536/13-002,-005,-008,-012     |
|                   |             |                  | 2   | 22/22 | /92-551        |         |  |

\*Mating End / Wire Barrel

Mounting instructions can be found on page 26

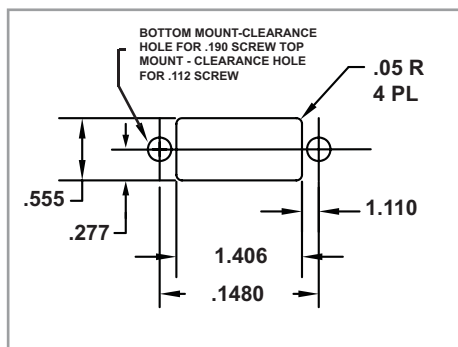
### Socket Configurations



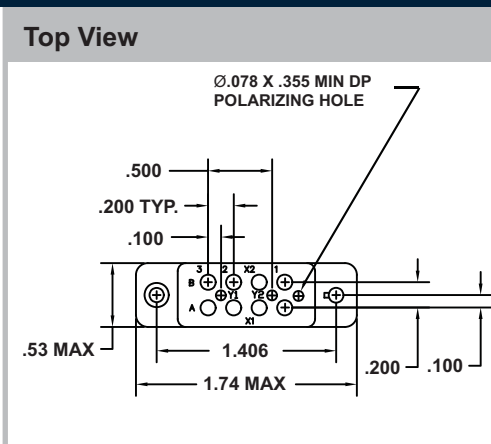
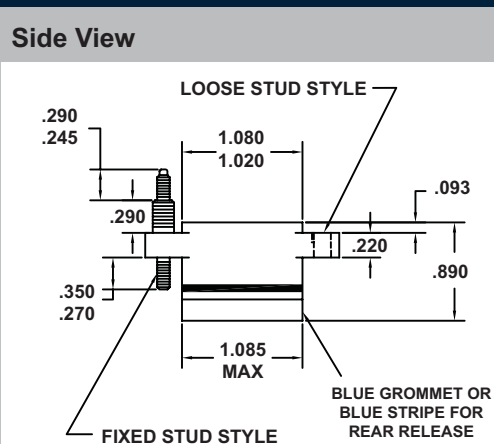
### Relay Socket Weight

| Relay Socket | Pounds | Grams |
|--------------|--------|-------|
| Low Profile  | .055   | 25    |

### Recommended Mounting Panel Cutout



### Relay Socket Dimensions





# MIL-PRF-12883/44

## RSE 4 Pole/5 Amp

### Relay Sockets



Mates with M6106, M83536 Relays

#### Operating Range

##### Temperature:

-65°C to 125°C

##### Insulation Resistance:

1000 Megaohms Min.

##### Dielectric Withstanding Voltage:

1000 VRMS at Sea Level

500 VRMS at 80,000 ft.

##### Vibration:

MIL-STD-202, Method 204

Test Condition G

##### Shock:

MIL-STD-202, Method 213

Test Condition C

#### Materials

##### Module Body:

Polyetherimide per ASTM-D5205

##### Grommet:

Silicone Rubber per A-A-59588

##### Hardware:

Stainless Steel or Steel w/

Cadmium Chromate Finish

##### Contact Retainers:

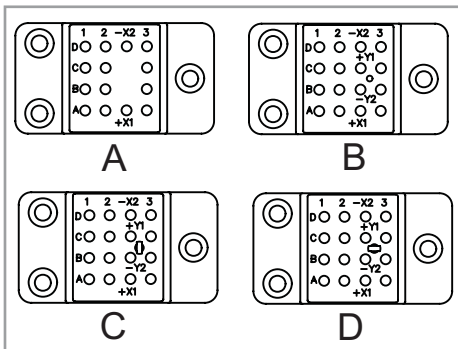
Stainless Steel

##### Socket Contacts:

Copper Alloy, Hard Gold Plated in

Accordance with SAE-AMS 2422

### Socket Configurations



### Low Profile Relay Sockets

| MIL P/N<br>M12883 | APCD<br>P/N | QTY | Size* | Contact<br>P/N | Config. | Mating Relay  |
|-------------------|-------------|-----|-------|----------------|---------|---|
| /44-01            | RSE120151   | 14  | 20/20 | /101-553       | A       | M83536/5-006,-014,-022,-030<br>M83536/6,-006,-014,-022,-032 |
| /44-02            | RSE120153   | 16  | 20/20 | /101-553       | B       | M83536/7-002  |
| /44-03            | RSE120155   | 16  | 20/20 | /101-553       | C       |   |
| /44-04            | RSE120157   | 16  | 20/20 | /101-553       | D       |   |

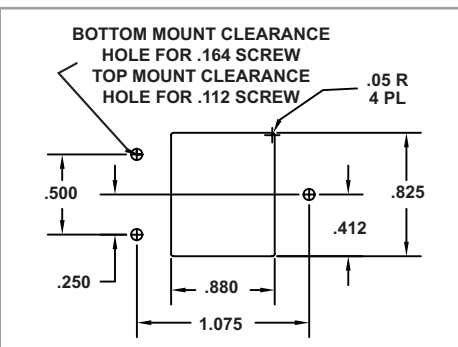
\*Mating End / Wire Barrel

Mounting instructions can be found on page 26

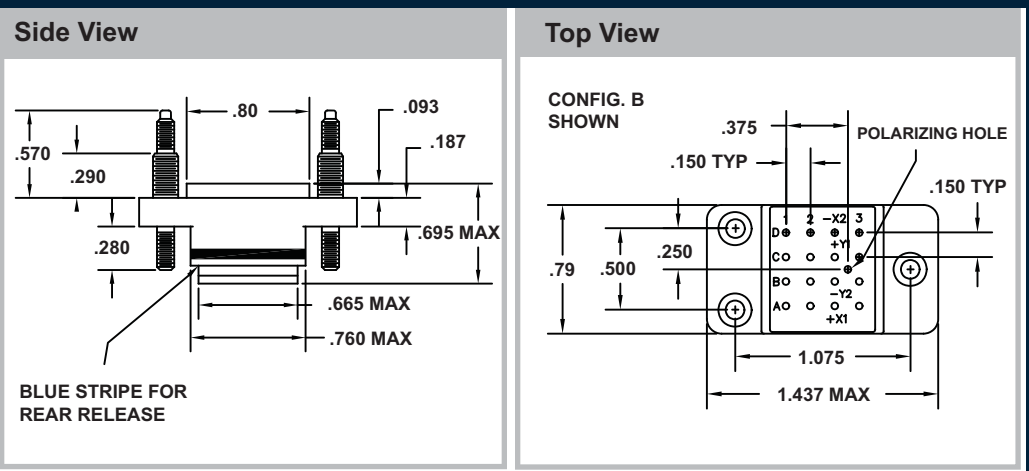
### Relay Socket Weight

| Relay Socket | Pounds | Grams |
|--------------|--------|-------|
| Low Profile  | .055   | 25    |

### Recommended Mounting Panel Cutout



### Relay Socket Dimensions



# MIL-PRF-12883/45

## RSE 2 Pole/5 Amp

### Operating Range

**Temperature:**

-65°C to 125°C

**Insulation Resistance:**

1000 Megaohms Min.

**Dielectric Withstanding Voltage:**

1000 VRMS at Sea Level

500 VRMS at 80,000 ft.

**Vibration:**

MIL-STD-202, Method 204

Test Condition G

**Shock:**

MIL-STD-202, Method 213

Test Condition C

### Materials

**Socket Body:**

Polyetherimide per ASTM -D5205

**Grommet:**

Silicone Rubber per A-A-59588

**Hardware:**

Stainless Steel or Steel w/

Cadmium Chromate Finish

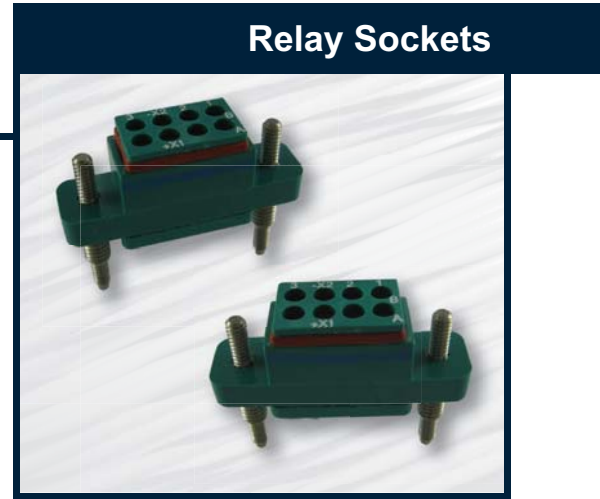
**Contact Retainers:**

Stainless Steel

**Socket Contacts:**

Copper Alloy, Hard Gold Plated in

Accordance with SAE-AMS 2422



Mates with M6106, M83536 Relays

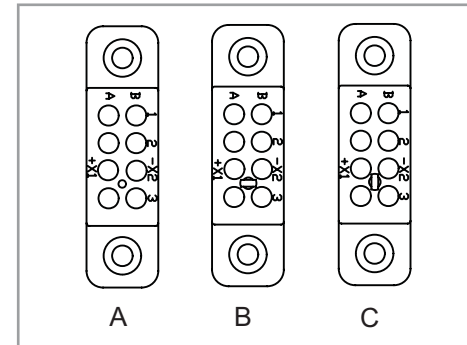
### Low Profile Relay Sockets

| MIL P/N<br>M12883 | APCD<br>P/N | QTY | Size <sup>1</sup> | Contact<br>P/N | Config. | Mating Relay   |
|-------------------|-------------|-----|-------------------|----------------|---------|--|
| /45-01            | RSE120159   | 8   | 20/20             | /101-553       | A       | M83536/1-006, -015, -024, -033<br>M83536/2-006, -015, -024, -035 |
| /45-02            | RSE120161   | 8   | 20/20             | /101-553       | B       |  |
| /45-03            | RSE120163   | 8   | 20/20             | /101-553       | C       |  |

\*Mating End / Wire Barrel

Mounting instructions can be found on page 26

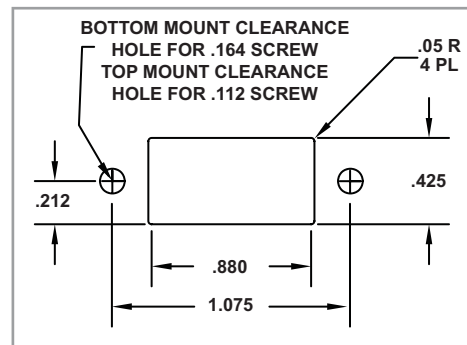
### Socket Configurations



### Relay Socket Weight

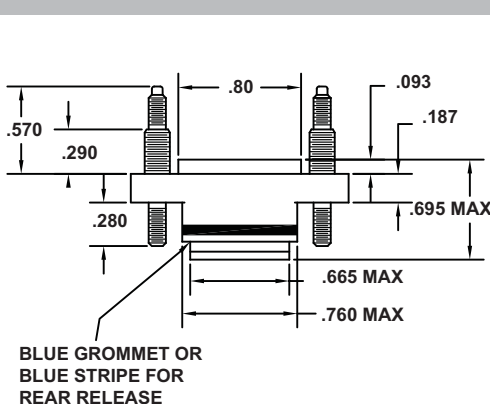
| Relay Socket | Pounds | Grams |
|--------------|--------|-------|
| Low Profile  | .033   | 15    |

### Recommended Mounting Panel Cutout

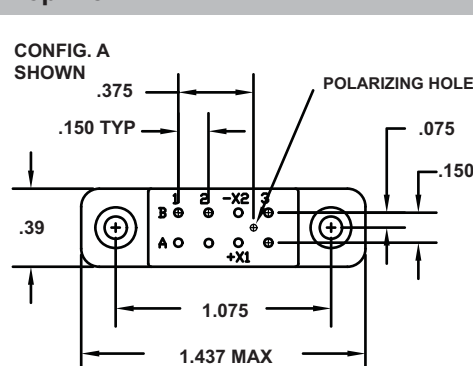


### Relay Socket Dimensions

#### Side View



#### Top View



# MIL-PRF-12883/45

## RSE 2 Pole/5 Amp

### Relay Sockets



Mates with M6106/38 Relays

#### Operating Range

##### Temperature:

-65°C to 125°C

##### Insulation Resistance:

1000 Megaohms Min.

##### Dielectric Withstanding Voltage:

1000 VRMS at Sea Level

500 VRMS at 80,000 ft.

##### Vibration:

MIL-STD-202, Method 204

Test Condition G

##### Shock:

MIL-STD-202, Method 213

Test Condition C

#### Materials

##### Socket Body:

Polyetherimide per ASTM-D5205

##### Grommet:

Silicone Rubber per A-A-59588

##### Hardware:

Stainless Steel or Steel w/

Cadmium Chromate Finish

##### Contact Retainers:

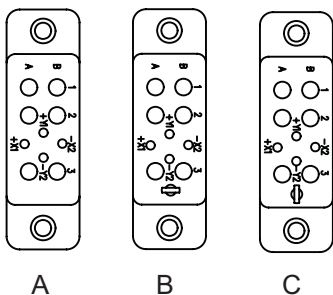
Stainless Steel

##### Socket Contacts:

Copper Alloy, Hard Gold Plated in

Accordance with with SAE-AMS 2422

### Socket Configurations



### Low Profile Relay Sockets

| MIL P/N<br>M12883 | APCD<br>P/N | QTY | Size <sup>1</sup> | Contact<br>P/N | Config. | Mating Relay |
|-------------------|-------------|-----|-------------------|----------------|---------|--------------|
| /45-04            | RSE120165   | 6   | 20/20             | /101-553       | A       | M6106/38-002 |
|                   |             | 4   | 22/22             | /101-552       |         |              |
| /45-05            | RSE120167   | 6   | 20/20             | /101-553       | B       |              |
|                   |             | 4   | 22/22             | /101-552       |         |              |
| /45-06            | RSE120169   | 6   | 20/20             | /101-553       | C       |              |
|                   |             | 4   | 22/22             | /101-552       |         |              |

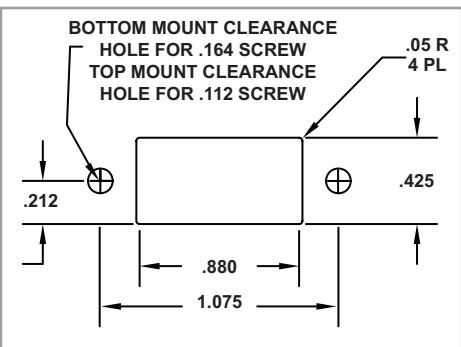
<sup>1</sup>Mating End / Wire Barrel

Mounting instructions can be found on page 26

### Relay Socket Weight

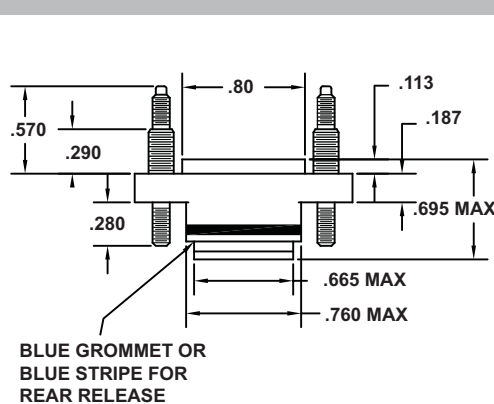
| Relay Socket | Pounds | Grams |
|--------------|--------|-------|
| Low Profile  | .033   | 15    |

### Recommended Mounting Panel Cutout

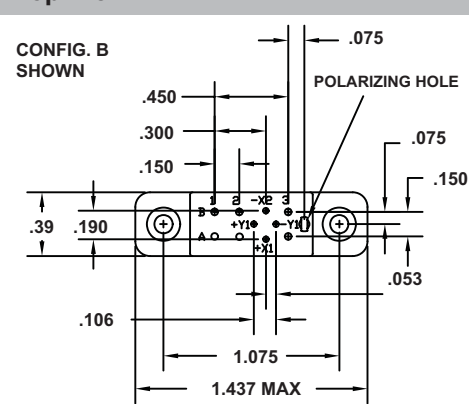


### Relay Socket Dimensions

#### Side View



#### Top View



# MIL-PRF-12883/46

## RSE 3 Pole/10 Amp

### Operating Range

#### Temperature:

-65°C to 125°C

#### Insulation Resistance:

1000 Megaohms Min.

#### Dielectric Withstanding Voltage:

1250 VRMS at Sea Level

500 VRMS at 80,000 ft.

#### Vibration:

MIL-STD-202, Method 204

Test Condition G

#### Shock:

MIL-STD-202, Method 213

Test Condition C

### Materials

#### Socket Body:

Polyetherimide per ASTM -D5205

#### Grommet:

Silicone Rubber per A-A-59588

#### Hardware:

Stainless Steel or Steel w/

Cadmium Chromate Finish

#### Contact Retainers:

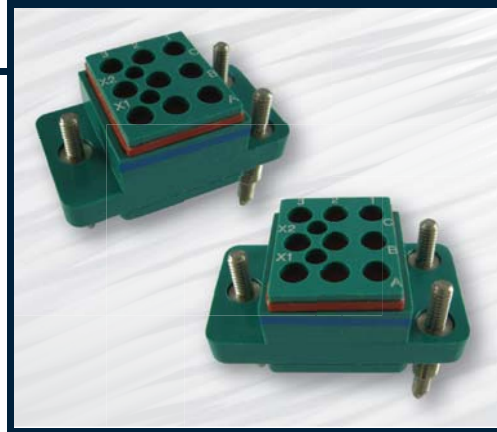
Stainless Steel

#### Socket Contacts:

Copper Alloy, Hard Gold Plated in

Accordance with SAE-AMS 2422

## Relay Sockets



Mates with M83536, M6106 Relays

### Low Profile Relay Sockets

| MIL P/N<br>M12883 | APCD<br>P/N | QTY | Size <sup>1</sup> | Contact<br>P/N | Config. | Mating Relay   |
|-------------------|-------------|-----|-------------------|----------------|---------|--|
| /46-01            | RSE116747   | 9   | 16/16             | /101-554       | A       | M83536/21-006,-014,-022,-030<br>M83536/22-006,-014,-022,-030 |
|                   |             | 2   | 20/20             | /101-553       |         |  |
| /46-02            | RSE116749   | 9   | 16/16             | /101-554       | B       | M6106/40-002   |
|                   |             | 2   | 20/20             | /101-553       |         |  |
| /46-03            | RSE116751   | 9   | 16/16             | /101-554       | C       |  |
|                   |             | 2   | 20/20             | /101-553       |         |  |
| /46-04            | RSE116753   | 9   | 16/16             | /101-554       | D       |  |
|                   |             | 2   | 20/20             | /101-553       |         |  |

<sup>1</sup>Mating End / Wire Barrel

Mounting instructions can be found on page 26

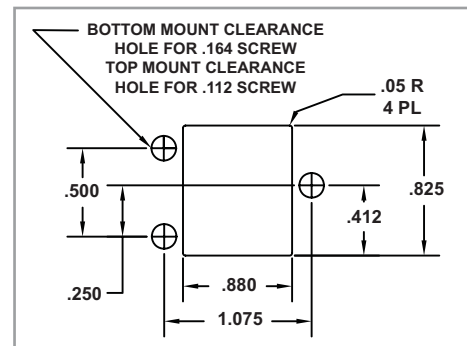
### Socket Configurations



### Relay Socket Weight

| Relay Socket | Pounds | Grams |
|--------------|--------|-------|
| Low Profile  | .055   | 25    |

### Recommended Mounting Panel Cutout

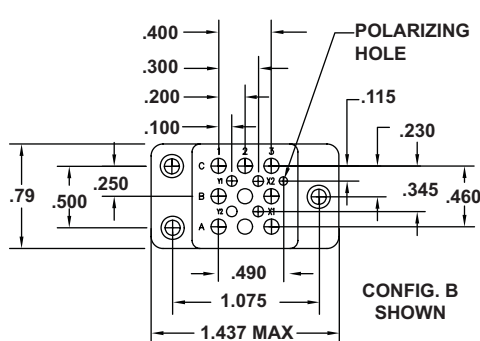


### Relay Socket Dimensions

#### Side View



#### Top View



# MIL-PRF-12883/47

## RSE/RSL 6 Pole/10 Amp

### Relay Sockets



Mates with M83536, M83536 Relays

#### Operating Range

Temperature:

-65°C to 125°C

Insulation Resistance:

1000 Megaohms Min.

Dielectric Withstanding Voltage:

1500 VRMS at Sea Level

500 VRMS at 80,000 ft.

Vibration:

MIL-STD-202, Method 204

Test Condition G

Shock:

MIL-STD-202, Method 213

Test Condition C

#### Materials

Socket Body:

Polyetherimide per ASTM-D5205

Grommet:

Silicone Rubber per A-A-59588

Hardware:

Stainless Steel or Steel w/

Cadmium Chromate Finish

Contact Retainers:

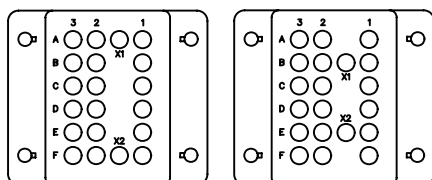
Stainless Steel

Socket Contacts:

Copper Alloy, Hard Gold Plated in

Accordance with SAE-AMS 2422

### Socket Configurations



A

B

### Low Profile Relay Sockets

| MIL P/N<br>M12883 | APCD<br>P/N | Mounting<br>Stud | QTY | Size <sup>1</sup> | Contact<br>P/N | Config. | Mating Relay                 |
|-------------------|-------------|------------------|-----|-------------------|----------------|---------|------------------------------|
| /47-01            | RSE116755   | Loose            | 20  | 16/16             | /92-533        | A       | M83536/25-002, M83536/26-002 |
| /47-02            | RSE116757   | Loose            | 20  | 16/16             | /92-533        | B       | M83536/27-002                |
| /47-04            | RSE116761   | Fixed            | 20  | 16/16             | /92-533        | A       | M83536/25-002, M83536/26-002 |
| /47-05            | RSE116763   | Fixed            | 20  | 16/16             | /92-533        | B       | M83536/27-002                |

### Extended Height Relay Sockets

| MIL P/N<br>M12883 | APCD<br>P/N | Mounting<br>Stud | QTY | Size <sup>1</sup> | Contact<br>P/N | Config. | Mating Relay                 |
|-------------------|-------------|------------------|-----|-------------------|----------------|---------|------------------------------|
| /47-07            | RSL116101   | Loose            | 20  | 16/16             | /5-116         | A       | M83536/25-002, M83536/26-002 |
| /47-08            | RSL116103   | Loose            | 20  | 16/16             | /5-116         | B       | M83536/27-002                |
| /47-10            | RSL116073   | Fixed            | 20  | 16/16             | /5-116         | A       | M83536/25-002, M83536/26-002 |
| /47-11            | RSL116075   | Fixed            | 20  | 16/16             | /5-116         | B       | M83536/27-002                |

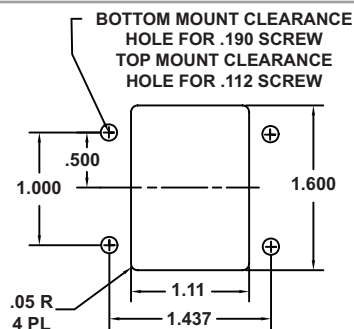
<sup>1</sup>Mating End / Wire Barrel

Mounting instructions can be found on page 26

### Relay Socket Weight

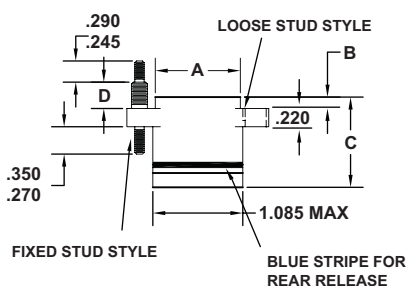
| Relay Socket    | Pounds | Grams |
|-----------------|--------|-------|
| Extended Height | .176   | 80    |
| Low Profile     | .144   | 65    |

### Recommended Mounting Panel Cutout



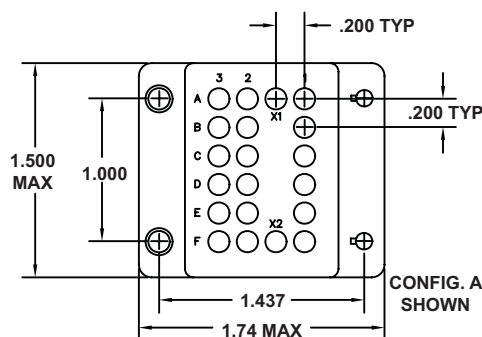
### Relay Socket Dimensions

#### Side View



| Relay Socket    | A    | B         | C Max | D    |
|-----------------|------|-----------|-------|------|
| Extended Height | 1.03 | .140-.135 | 1.25  | .318 |
| Low Profile     | 1.08 | .093      | .890  | .290 |

#### Top View



# MIL-PRF-12883/48

## RSE/RSL 3 Pole/25 Amp

### Operating Range

**Temperature:**

-65°C to 125°C

**Insulation Resistance:**

1000 Megaohms Min.

**Dielectric Withstanding Voltage:**

1500 VRMS at Sea Level

500 VRMS at 80,000 ft.

**Vibration:**

MIL-STD-202, Method 204

Test Condition G

**Shock:**

MIL-STD-202, Method 213

Test Condition C

### Materials

**Socket Body:**

Polyetherimide per ASTM-D5205

**Grommet:**

Silicone Rubber per A-A-59588

**Hardware:**

Stainless Steel or Steel w/

Cadmium Chromate Finish

**Contact Retainers:**

Stainless Steel

**Socket Contacts:**

Copper Alloy, Hard Gold Plated in

Accordance with SAE-AMS 2422



Mates with MS27743 Relays

### Low Profile Relay Sockets

| MIL P/N<br>M12883 | APCD<br>P/N | Mounting<br>Stud | QTY | Size <sup>1</sup> | Contact<br>P/N | Config. | Mating Relay              |
|-------------------|-------------|------------------|-----|-------------------|----------------|---------|---------------------------|
| /48-01            | RSE112061   | Loose            | 2   | 16/16             | /92-533        | A       | MS27743-06, -12, -18, -24 |
|                   |             |                  | 9   | 12/12             | /92-535        |         |                           |
| /48-02            | RSE112063   | Fixed            | 2   | 16/16             | /92-533        | A       | MS27743-06, -12, -18, -24 |
|                   |             |                  | 9   | 12/12             | /92-535        |         |                           |
| /48-05            | RSE112065   | Loose            | 2   | 16/16             | /92-533        | B       | MS27743-09, -15, -21, -27 |
|                   |             |                  | 9   | 12/12             | /92-535        |         |                           |
| /48-06            | RSE112067   | Fixed            | 2   | 16/16             | /92-533        | B       | MS27743-09, -15, -21, -27 |
|                   |             |                  | 9   | 12/12             | /92-535        |         |                           |

### Extended Height Relay Sockets

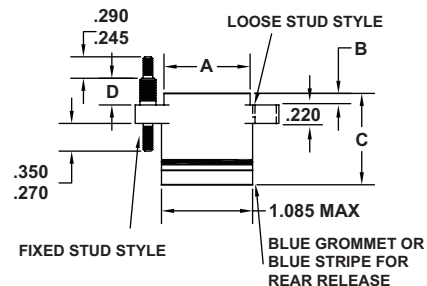
| MIL P/N<br>M12883 | APCD<br>P/N | Mounting<br>Stud | QTY | Size <sup>1</sup> | Contact<br>P/N | Config. | Mating Relay              |
|-------------------|-------------|------------------|-----|-------------------|----------------|---------|---------------------------|
| /48-03            | RSL112105   | Loose            | 2   | 16/16             | /5-116         | A       | MS27743-06, -12, -18, -24 |
|                   |             |                  | 9   | 12/12             | /5-118         |         |                           |
| /48-04            | RSL112101   | Fixed            | 2   | 16/16             | /5-116         | A       | MS27743-06, -12, -18, -24 |
|                   |             |                  | 9   | 12/12             | /5-118         |         |                           |
| /48-07            | RSL112107   | Loose            | 2   | 16/16             | /5-116         | B       | MS27743-09, -15, -21, -27 |
|                   |             |                  | 9   | 12/12             | /5-118         |         |                           |
| /48-08            | RSL112103   | Fixed            | 2   | 16/16             | /5-116         | B       | MS27743-09, -15, -21, -27 |
|                   |             |                  | 9   | 12/12             | /5-118         |         |                           |

<sup>1</sup>Mating End / Wire Barrel

Mounting instructions can be found on page 25

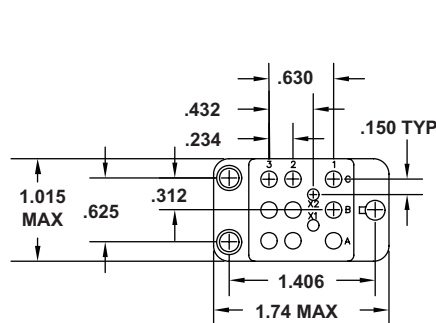
### Relay Socket Dimensions

#### Side View



| Relay Socket    | A    | B         | C Max | D    |
|-----------------|------|-----------|-------|------|
| Extended Height | 1.03 | .140-.135 | 1.25  | .318 |
| Low Profile     | 1.00 | .093      | .890  | .290 |

#### Top View



### Relay Sockets

#### Socket Configurations



#### Relay Socket Weight

| Relay Socket    | Pounds | Grams |
|-----------------|--------|-------|
| Extended Height | .129   | 55    |
| Low Profile     | .109   | 49    |

#### Recommended Mounting Panel Cutout



# MIL-PRF-12883/52, MIL-PRF-12883/53

## RSE Track Mount 2, 3, & 4 Pole & Mounting Track

### Relay Sockets



Mates with MS83726, M83536 & M6106 Relays

#### Operating Range

**Temperature:**

-65°C to 125°C

**Insulation Resistance:**

1000 Megaohms Min.

**Dielectric Withstanding Voltage:**

1500 VRMS at Sea Level

700 VRMS at 80,000 ft.

**Vibration:**

MIL-STD-202, Method 204

Test Condition G

**Shock:**

MIL-STD-202, Method 213

Test Condition C

#### Materials

**Socket Body:**

Polyetherimide per ASTM-D5205

**Grommet:**

Silicone Rubber per A-A-59588

**Contact Retainers:**

Beryllium Copper

**Socket Contacts:**

Copper Alloy, Hard Gold Plated in

Accordance with MIL-G-45204

### Socket Dimensions



### Low Profile Relay Sockets

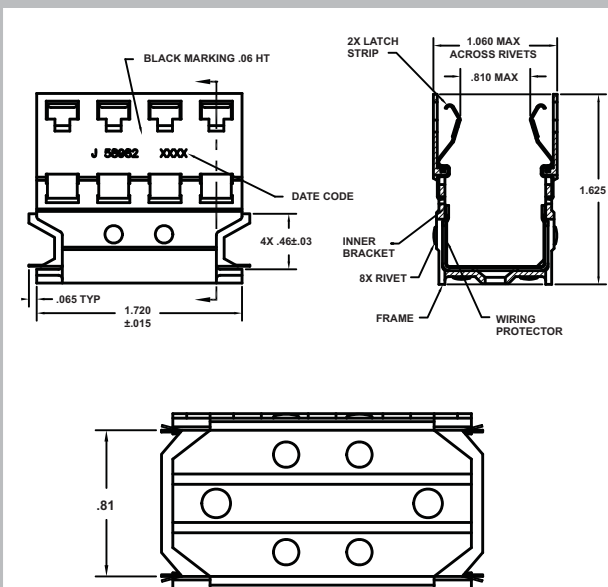
| MIL P/N<br>M12883* | APCD<br>P/N* | QTY | Size <sup>1</sup> | Contact<br>P/N | Config. | Mating Relay                 |
|--------------------|--------------|-----|-------------------|----------------|---------|------------------------------|
| /52-001            | RSE116175    | 8   | 20/20             | /101-553       | A       | M83536/2-028, M83726/27, /25 |
| /52-002            | RSE116185    | 14  | 20/20             | /101-533       | B       | M8536/6-025                  |
| /52-003            | RSE116195    | 9   | 16/16             | /101-554       | C       | M83536/22-025                |
|                    |              | 2   | 20/20             | /101-553       |         |                              |

\*These Relay Sockets are used in the track mount system with track M12883/53-001, Amphenol Pcd P/N RST145005

<sup>1</sup>Mating End / Wire Barrel

### M12883/53-001 Mounting Track Dimensions

#### Track Dimensions



#### Track Materials

**Outer Track:**

Aluminum Alloy per QQ-A-225.

Chemical Coating per

MIL-C-5541, Class 3

**Inner Brackets and Rivets:**

Stainless Steel per QQ-S-766, Passivated

**Latch:**

Beryllium copper #172 per QQ-C-533

Bright Finish

**Wiring Protector:**

Aramid Paper per MIL-I-24202

**Track Operating Range:**

-65°C to 125°C

#### Track Weight

| Part Number | Pounds | Grams |
|-------------|--------|-------|
| RST145005   | .053   | 24    |



Use tool M6106/32-001 to remove M1288/52 sockets.

Use tool M6106/31-001 to remove relays from this mounting bracket.

### Relay Socket Weight

| Relay Socket | Pounds | Grams |
|--------------|--------|-------|
| RSE116175    | .016   | 7     |
| RSE116185    | .031   | 14    |
| RSE116195    | .031   | 14    |

# MIL-PRF-12883/54

## RSE 3 Pole/25 Amp

### Operating Range

**Temperature:**

-65°C to 125°C

**Insulation Resistance:**

1000 Megaohms Min.

**Dielectric Withstanding Voltage:**

1500 VRMS at Sea Level

500 VRMS at 80,000 ft.

**Vibration:**

MIL-STD-202, Method 204

Test Condition G

**Shock:**

MIL-STD-202, Method 213

Test Condition C

### Materials

**Socket Body:**

Polyetherimide per ASTM-D5205

**Grommet:**

Silicone Rubber per A-A-59588

**Hardware:**

Stainless Steel or Steel w/

Cadmium Chromate Finish

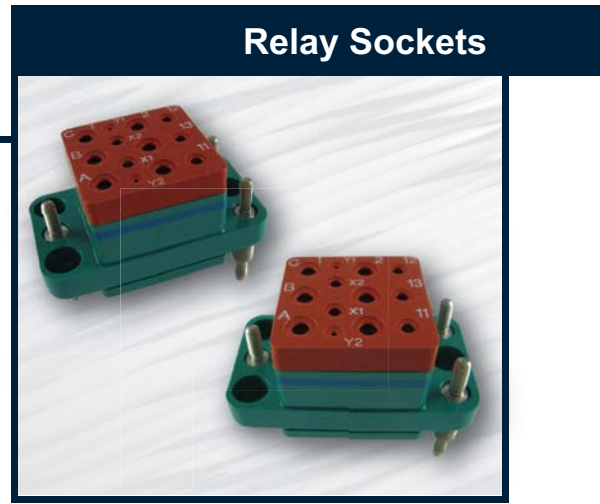
**Contact Retainers:**

Stainless Steel

**Socket Contacts:**

Copper Alloy, Hard Gold Plated in

Accordance with SAE-AMS 2422



Mates with M6106/12, /13 & MS27742 Relays

### Low Profile Relay Sockets

| MIL P/N<br>M12883 | APCD<br>P/N | Mounting<br>Stud | QTY | Size* | Contact<br>P/N | Config. | Mating Relay                     |
|-------------------|-------------|------------------|-----|-------|----------------|---------|----------------------------------|
| /54-01            | RSE116627   | Fixed            | 5   | 16/16 | /92-533        | A       | M6106/13-002,-008,-011,-013,-015 |
|                   |             |                  | 6   | 12/12 | /92-535        |         |                                  |
| /54-02            | RSE116631   | Fixed            | 5   | 16/16 | /92-533        | B       | M6106/13-004                     |
|                   |             |                  | 6   | 12/12 | /92-535        |         |                                  |
| /54-03            | RSE116629   | Fixed            | 2   | 20/20 | /92-532        | C       | M6106/12-002                     |
|                   |             |                  | 5   | 16/16 | /92-533        |         |                                  |
| /54-04            | RSE116635   | Fixed            | 2   | 20/20 | /92-532        | D       | MS27742-2                        |
|                   |             |                  | 2   | 16/16 | /92-535        |         |                                  |
|                   |             |                  | 9   | 12/12 | /92-535        |         |                                  |

Mounting instructions can be found on page 26

### Socket Configurations



### Relay Socket Weight

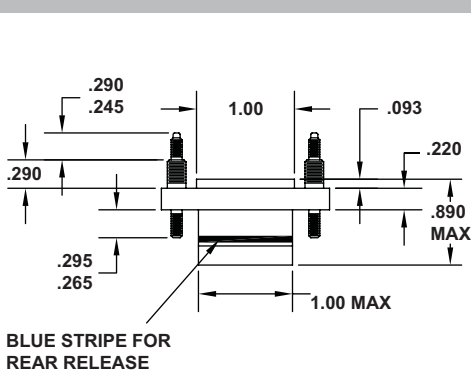
| Relay Socket | Pounds | Grams |
|--------------|--------|-------|
| RSE116627    | .132   | 60    |
| RSE116631    | .132   | 60    |
| RSE116629    | .154   | 70    |
| RSE116635    | .154   | 70    |

### Recommended Mounting Panel Cutout

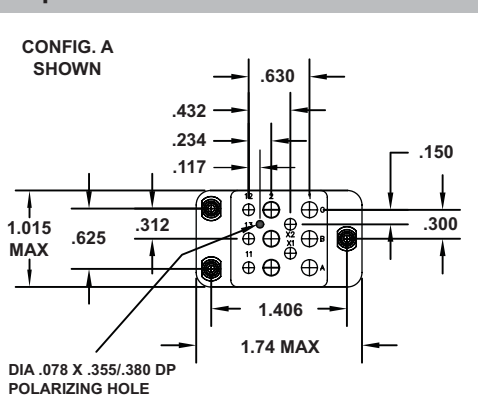


### Relay Socket Dimensions

#### Side View



#### Top View



Amphenol Pcd



# MIL-PRF-12883/55

## RSE 1 Pole/25 Amp

### Relay Sockets



Mates with M6106/19, /20 Relays

#### Operating Range

**Temperature:**

-65°C to 125°C

**Insulation Resistance:**

1000 Megaohms Min.

**Dielectric Withstanding Voltage:**

1500 VRMS at Sea Level

500 VRMS at 80,000 ft.

**Vibration:**

MIL-STD-202, Method 204

Test Condition G

**Shock:**

MIL-STD-202, Method 213

Test Condition C

#### Materials

**Socket Body:**

Polyetherimide per ASTM-D5205

**Grommet:**

Silicone Rubber per A-A-59588

**Hardware:**

Stainless Steel or Steel w/

Cadmium Chromate Finish

**Contact Retainers:**

Stainless Steel

**Socket Contacts:**

Copper Alloy, Hard Gold Plated in

Accordance with SAE-AMS 2422

### Socket Configurations



### Low Profile Relay Sockets

| MIL P/N<br>M12883 | APCD<br>P/N | Mounting<br>Stud | QTY | Size <sup>1</sup> | Contact<br>P/N | Config. | Mating Relay                            |
|-------------------|-------------|------------------|-----|-------------------|----------------|---------|---|
| /55-01            | RSE112035   | Fixed            | 2   | 16/16             | /92-533        | A       | M6106/19-004, -007,<br>-012, -017, -022 |
|                   |             |                  | 3   | 12/12             | /92-535        |         |   |
| /55-02            | RSE112036   | Fixed            | 2   | 16/16             | /92-533        | A       | M6106/19-004, -007,<br>-012, -017, -022 |
|                   |             |                  | 3   | 12/12             | /92-535        |         |   |
| /55-03            | RSE112044   | Fixed            | 2   | 22/22             | /92-531        | B       | M6106/20-002                            |
|                   |             |                  | 2   | 16/16             | /92-533        |         |   |
|                   |             |                  | 3   | 12/12             | /92-535        |         |   |

<sup>1</sup>Mating End / Wire Barrel

Mounting instructions can be found on page 26

### Relay Socket Weight

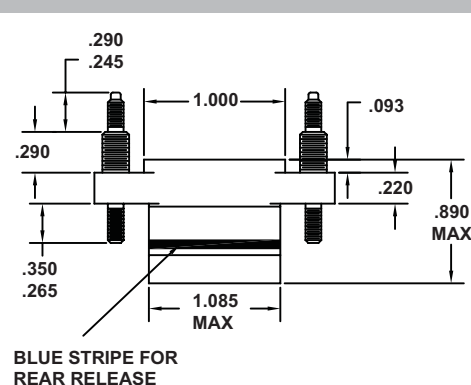
| Relay Socket | Pounds | Grams |
|--------------|--------|-------|
| Low Profile  | .073   | 33    |

### Recommended Mounting Panel Cutout

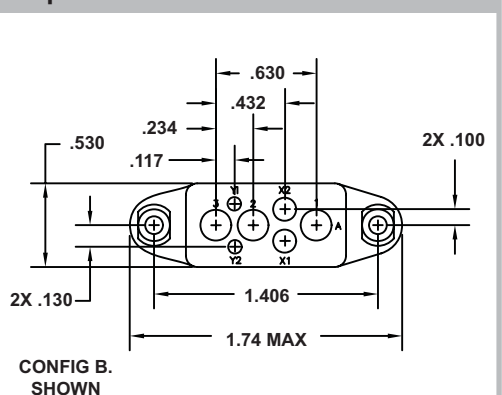


### Relay Socket Dimensions

#### Side View



#### Top View



# Microminiature Relay Sockets

## RSE 2 & 3 Pole, 2 Amp

### Operating Range

#### Temperature:

-65°C to 125°C

#### Insulation Resistance:

1000 Megaohms Min.

#### Dielectric Withstanding Voltage:

2500 VRMS at Sea Level

700 VRMS at 80,000 ft.

#### Vibration:

MIL-STD-202, Method 204

Test Condition G

#### Shock:

MIL-STD-202, Method 213

Test Condition C

### Materials

#### Module Body:

Polyetherimide per ASTM-D5205

#### Grommet:

Silicone Rubber per A-A-59588

#### Hardware:

Stainless Steel or Steel w/

Cadmium Chromate Finish

#### Contact Retainers:

Stainless Steel

#### Socket Contacts:

Copper Alloy, Hard Gold Plated in

Accordance with SAE-AMS 2422

## Relay Sockets



Mates with M39016 & M5757 Relays

### Relay Sockets for 2 Pole/ 2 Amp Microminiature Relays

| APCD P/N  | QTY | Size  | Contact P/N | Config. | Mating Relay                      |
|-----------|-----|-------|-------------|---------|-----------------------------------|
| RSE120020 | 8   | 22/20 | CNS109900   | A       | MIL-R-5757/10-022,-044            |
| RSE120074 | 8   | 22/20 | CNS109900   | B       | MIL-R-39016/55-001,-013,-025,-037 |

### Relay Sockets for 3 Pole/ 2 Amp Microminiature Relays

| APCD P/N  | QTY | Size  | Contact P/N | Config. | Mating Relay                 |
|-----------|-----|-------|-------------|---------|------------------------------|
| RSE120070 | 14  | 22/20 | CNS109900   | C       | MIL-R-39016/39-002,-008,-014 |

Mounting instructions can be found on page 26

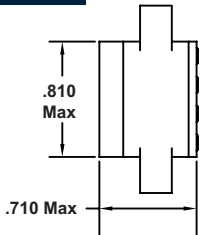
### Product Description

Microminiature Relay Sockets are designed to mate with M39016 & M5757 Microminiature Relays. Amphenol Pcd supplies three separate relay sockets for customers using Microminiature Relays.

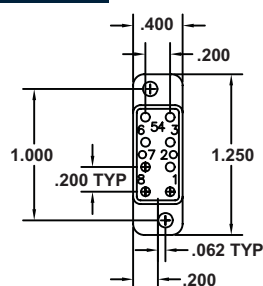
### Relay Socket Dimensions

#### RSE120020

##### Side View

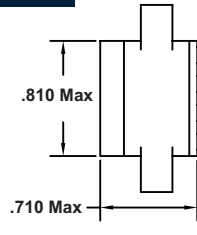


##### Top View

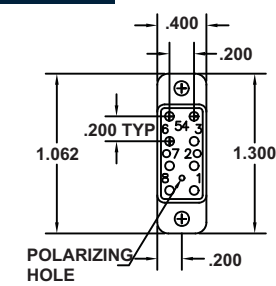


#### RSE120074

##### Side View

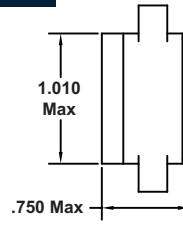


##### Top View

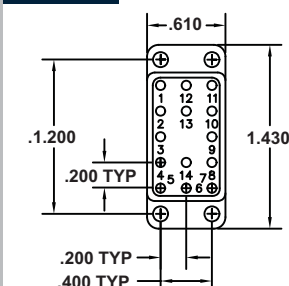


#### RSN120070

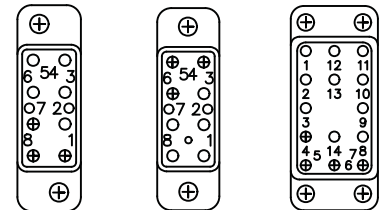
##### Side View



##### Top View



### Socket Configurations



A

B

C

### Relay Socket Weight

| Relay Socket | Pounds | Grams |
|--------------|--------|-------|
| RSE120020    | .024   | 11    |
| RSE120074    | .024   | 11    |
| RSN120070    | .044   | 20    |

Amphenol Pcd

# Board Mount MIL-PRF-12883

## RSN 2,4 Pole/10 Amp, 3 Pole/25 Amp

### Relay Sockets



Mates with MIL-R-6106 & MS27743 Relays

#### Operating Range

**Temperature:**

-65°C to 125°C

**Insulation Resistance:**

1000 Megohms Min.

**Dielectric Withstanding Voltage:**

1500 VRMS at Sea Level

500 VRMS at 80,000 ft.

**Vibration:**

MIL-STD-202, Method 204

Test Condition G

**Shock:**

MIL-STD-202, Method 213

Test Condition C

#### Materials

**Module Body:**

Polyetherimide per ASTM-D5205

**Hardware:**

Stainless Steel or Steel w/

Cadmium Chromate Finish

**Contact Retainers:**

Stainless Steel

**Socket Contacts:**

Copper Alloy, Hard Gold Plated in

Accordance with SAE-AMS 2422

### Product Description

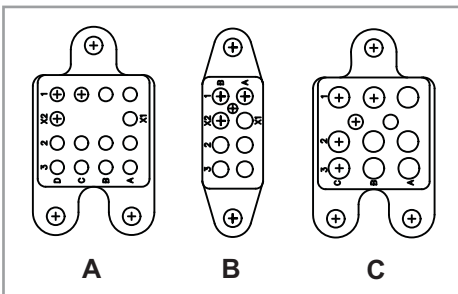
Product Line of pluggable, PC board mount relay sockets allows separable mounting of relays direct to boards in airborne or ground applications. Polyetherimide body and scalloped mounting flange reduce weight and improve strength. Mounting hardware supplied with connector secures firmly to board and eliminates stress on solder contacts. Gold-plated contacts and solder-dipped contact tails are available. Meets all applicable specifications.

### Board Mount Relay Sockets

| APCD P/N  | QTY | Size <sup>1</sup> | Contact P/N | Config. | Mating Relay        |
|-----------|-----|-------------------|-------------|---------|---------------------|
| RSN116140 | 14  | 16/16             | /92-533     | A       | MIL-R-6106, MS27400 |
| RSN116130 | 8   | 16/16             | /92-533     | B       | MIL-R-6106, MS27401 |
| RSN112010 | 9   | 12/12             | /92-535     | C       | MIL-R-6106, MS27743 |
|           | 2   | 16/16             | /92-533     |         |                     |

Mounting instructions can be found on page 26

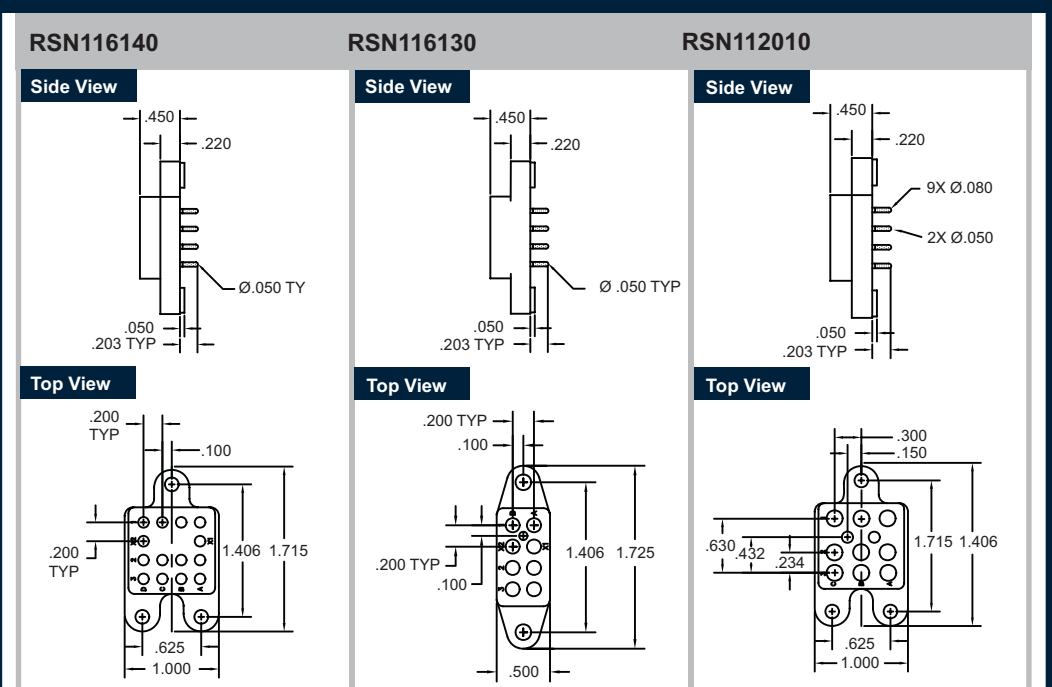
### Socket Configurations



### Relay Socket Weight

| Relay Socket | Pounds | Grams |
|--------------|--------|-------|
| RSN116140    | .055   | 25    |
| RSN116130    | .033   | 15    |
| RSN112010    | .057   | 26    |

### Relay Socket Dimensions



# Non-Environmental Relay Sockets

## Solder Termination

6 Pole/5 Amp, 4 Pole/10 Amp, 2 & 4 Pole/5 Amp, 2 Pole /10Amp

### Operating Range

**Temperature:**

-65°C to 125°C

**Insulation Resistance:**

1000 Megaohms Min.

**Dielectric Withstanding Voltage:**

1500 VRMS at Sea Level

500 VRMS at 80,000 ft.

**Vibration:**

MIL-STD-202, Method 204

Test Condition G

**Shock:**

MIL-STD-202, Method 213

Test Condition C

### Materials

**Socket Body:**

Polyetherimide per ASTM-D5205

**Hardware:**

Stainless Steel or Steel w/

Cadmium Chromate Finish

**Contact Retainers:**

Stainless Steel

**Socket Contacts:**

Copper Alloy, Hard Gold Plated in

Accordance with SAE-AMS 2422



Mates with M25027 & Series 9226, 9224, 9225, 9220, 9229, 9927 Leach Corp. Relays

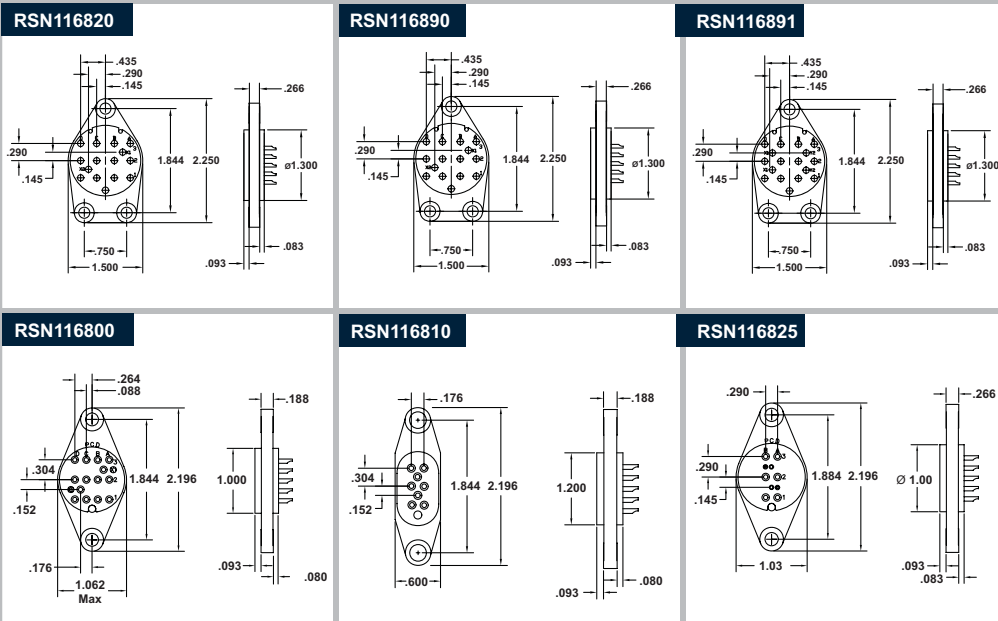
## Solder Termination Relay Sockets

| APCD P/N  | Ref MIL STD Socket | MIL STD Relay           | Leach Corp Relay |
|-----------|--------------------|-------------------------|------------------|
| RSN116820 | MS25330            | MS25329 (6 Pole/5 Amp)  | 9226 Series      |
| RSN116890 | MS25328            | MS25327 (4 Pole/10 Amp) | 9224 Series      |
| RSN116891 | MS25462            | MS25461 (4 Pole/10 Amp) | 9225 Series      |
| RSN116800 | MS25326            | MS25325 (4 Pole/5 Amp)  | 9220 Series      |
| RSN116810 | MS25322            | MS25321 (2 Pole/10 Amp) | 9229 Series      |
| RSN116825 | MS25324            | MS25323 (2 Pole/10 Amp) | 9227 Series      |

Mounting instructions can be found on page 26

## Relay Socket Dimensions

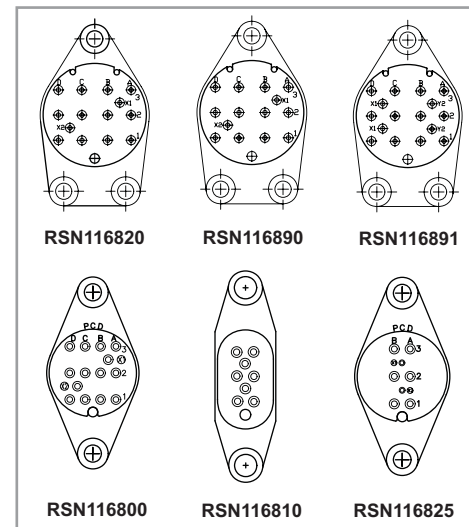
### Solder Termination



## Product Description

Solder Termination Relay Sockets with Polyetherimide body and scalloped mounting flange to reduce weight and improve strength. Mounting hardware supplied with product.

## Socket Configurations



## Relay Socket Weight

| Relay Socket | Pounds | Grams |
|--------------|--------|-------|
| RSE120020    | .024   | 11    |
| RSE120074    | .024   | 11    |
| RSN120070    | .044   | 20    |

Amphenol Pcd

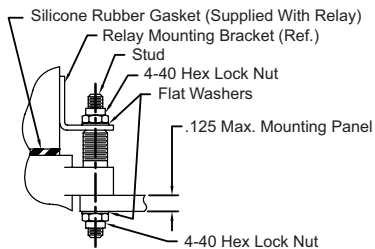
# Relay Socket Mounting Instructions

## Top Mount & Bottom Mount

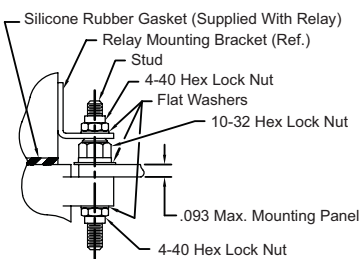
### Mounting Instructions

MIL-PRF-12883/40, MIL-PRF-12883/41  
 MIL-PRF-12883/47, MIL-PRF-12883/48  
 MIL-PRF-12883/54, MIL-PRF-12883/55

#### TOP MOUNT



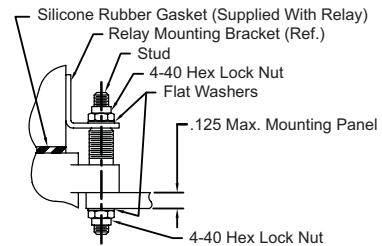
#### BOTTOM MOUNT



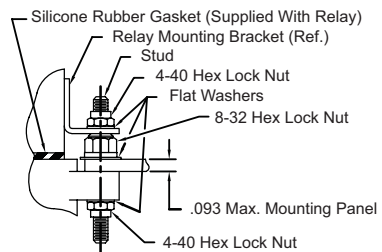
### Mounting Instructions

MIL-PRF-12883/44, MIL-PRF-12883/45  
 MIL-PRF-12883/46

#### TOP MOUNT



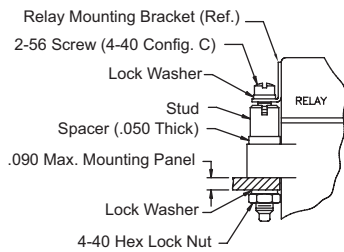
#### BOTTOM MOUNT



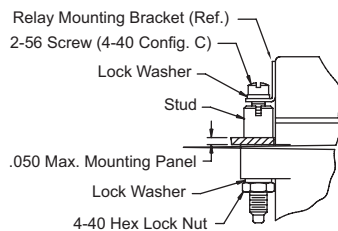
### Mounting Instructions

Mircominature Relay Sockets

#### TOP MOUNT



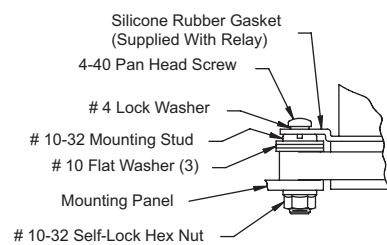
#### BOTTOM MOUNT



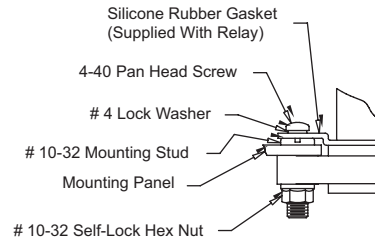
### Mounting Instructions

Non-Environmental Solder Termination Relay Sockets

#### TOP MOUNT



#### BOTTOM MOUNT



## Данный компонент на территории Российской Федерации

### Вы можете приобрести в компании MosChip.

Для оперативного оформления запроса Вам необходимо перейти по данной ссылке:

<http://moschip.ru/get-element>

Вы можете разместить у нас заказ для любого Вашего проекта, будь то серийное производство или разработка единичного прибора.

В нашем ассортименте представлены ведущие мировые производители активных и пассивных электронных компонентов.

Нашей специализацией является поставка электронной компонентной базы двойного назначения, продукции таких производителей как XILINX, Intel (ex.ALTERA), Vicor, Microchip, Texas Instruments, Analog Devices, Mini-Circuits, Amphenol, Glenair.

Сотрудничество с глобальными дистрибьюторами электронных компонентов, предоставляет возможность заказывать и получать с международных складов практически любой перечень компонентов в оптимальные для Вас сроки.

На всех этапах разработки и производства наши партнеры могут получить квалифицированную поддержку опытных инженеров.

Система менеджмента качества компании отвечает требованиям в соответствии с ГОСТ Р ИСО 9001, ГОСТ РВ 0015-002 и ЭС РД 009

### Офис по работе с юридическими лицами:

105318, г.Москва, ул.Щербаковская д.3, офис 1107, 1118, ДЦ «Щербаковский»

Телефон: +7 495 668-12-70 (многоканальный)

Факс: +7 495 668-12-70 (доб.304)

E-mail: [info@moschip.ru](mailto:info@moschip.ru)

Skype отдела продаж:

moschip.ru

moschip.ru\_4

moschip.ru\_6

moschip.ru\_9