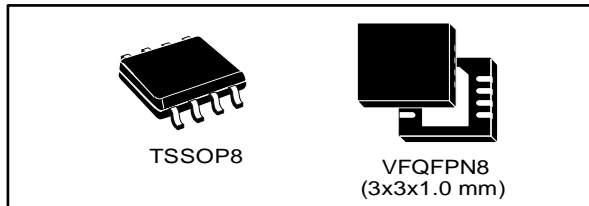


High efficiency monolithic synchronous step-down regulator

Datasheet - production data



Applications

- Battery-powered equipment
- Portable instruments
- Cellular phones
- PDAs and handheld terminals
- DSC
- GPS

Features

- 2 V to 5.5 V battery input range
- High efficiency: up to 95%
- Internal synchronous switch
- No external Schottky diode required
- Extremely low quiescent current
- 1 μ A max. shutdown supply current
- 800 mA max. output current
- Adjustable output voltage from 0.6 V
- Low-dropout operation: up to 100% duty cycle
- Selectable low noise/low consumption mode at light load
- Power Good signal
- $\pm 1\%$ output voltage accuracy
- Current mode control
- 1.4 MHz switching frequency
- Externally synchronized from 1 MHz to 2 MHz
- OVP
- Short-circuit protection

Description

The device is a DC-DC monolithic regulator specifically designed to provide high efficiency. The L6928 supply voltage can be as low as 2 V to be used in single Li-Ion cell supplied applications. Output voltage can be selected by an external divider down to 0.6 V. Duty cycle can saturate 100% allowing low-dropout operation. The device is based on a 1.4 MHz fixed frequency, current mode architecture. Low consumption mode operation can be selected at light load conditions, allowing switching losses to be reduced. The L6928 is externally synchronized by a clock, which makes it useful in noise sensitive applications. Other features like Power Good, overvoltage protection, short-circuit protection and thermal shutdown (150 °C) are also present.

Table 1: Device summary

Order code	Package	Packing
L6928D	TSSOP8	Tube
L6928D013TR	TSSOP8	Tape and reel
L6928Q1	VFQFPN8	Tube
L6928Q1TR	VFQFPN8	Tape and reel

Contents

1 Application circuit 5

2 Pin configuration 6

3 Maximum ratings 7

4 Electrical characteristics 8

5 Detailed description 10

 5.1 Modes of operation 10

 5.1.1 Low consumption mode..... 10

 5.1.2 Low noise mode 11

 5.1.3 Synchronization 11

 5.2 Short-circuit protection 11

 5.3 Slope compensation..... 12

 5.4 Loop stability 12

6 Additional features and description..... 13

 6.1 Dropout operation 13

 6.2 PGOOD..... 13

 6.3 Adjustable output voltage 13

 6.4 OVP (overvoltage protection)..... 13

 6.5 Thermal shutdown..... 13

7 Package information 14

 7.1 TSSOP8 package information..... 15

 7.2 VFQFPN8 package information 17

8 Revision history 20

List of tables

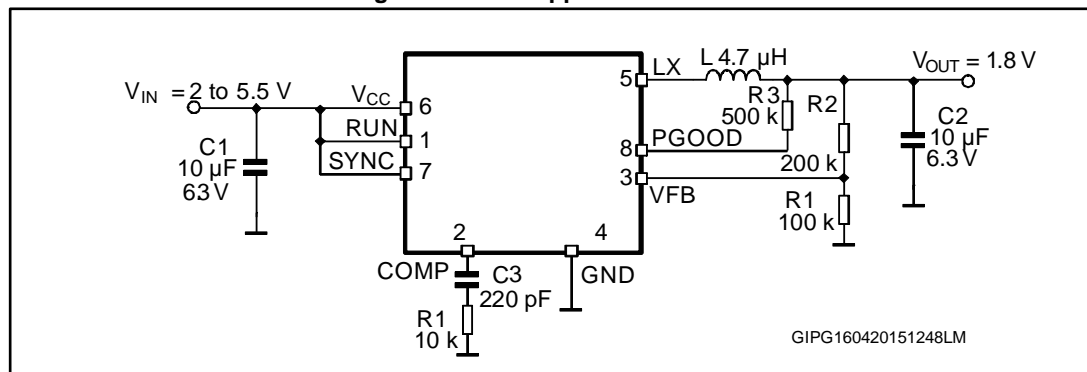
Table 1: Device summary	1
Table 2: Pin description	6
Table 3: Absolute maximum ratings	7
Table 4: Thermal data.....	7
Table 5: Electrical characteristics	8
Table 6: TSSOP8 package mechanical data.....	16
Table 7: VFQFPN8 package mechanical data	18
Table 8: Document revision history	20

List of figures

Figure 1: L6928 application circuit	5
Figure 2: Pin connections (top view).....	6
Figure 3: Device block diagram	10
Figure 4: TSSOP8 package outline	15
Figure 5: VFQFPN8 package outline	17
Figure 6: VFQFPN8 recommended footprint.....	19

1 Application circuit

Figure 1: L6928 application circuit



2 Pin configuration

Figure 2: Pin connections (top view)

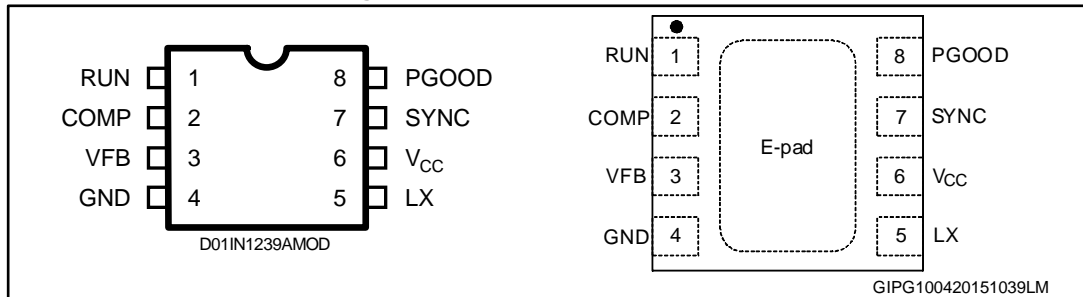


Table 2: Pin description

Pin	Name	Description
1	RUN	Shutdown input. When connected to a low level (lower than 0.4 V) the device stops working. When high (higher than 1.3 V) the device is enabled
2	COMP	Error amplifier output. A compensation network has to be connected to this pin. The loop stability usually is well-guaranteed by a 220 pF capacitor
3	VFB	Error amplifier inverting input. The output voltage can be adjusted from 0.6 V up to the input voltage by connecting this pin to an external resistor divider
4	GND	Ground
5	LX	Switch output node. This pin is internally connected to the drain of the internal switches
6	V _{CC}	Input voltage. The start-up input voltage is 2.2 V (typ.) while the operating input voltage range is from 2 V to 5.5 V. An internal UVLO circuit realizes a 100 mV (typ.) hysteresis
7	SYNC	Operating mode selector input. When high (higher than 1.3 V) the low consumption mode is selected. When low (lower than 0.5 V) the low noise mode is selected. If connected with an appropriate external synchronization signal (from 1 MHz up to 2 MHz) the internal synchronization circuit is active and the device works at the same switching frequency
8	PGOOD	Power Good comparator output. It is an open drain output. A pull-up resistor should be connected between PGOOD and V _{OUT} (or V _{CC} depending on the requirements). The pin is forced low when the output voltage is lower than 90% of the regulated output voltage and goes high when the output voltage is greater than 90% of the regulated output voltage. If it is not used the pin can be left floating
-	E-pad	To be connected to GND plane for optimal thermal performance

3 Maximum ratings

Table 3: Absolute maximum ratings

Symbol	Parameter	Value	Unit
V ₆	Input voltage	- 0.3 to + 6.0	V
V ₅	Output switching voltage	- 1 to V _{CC}	V
V ₁	Shutdown	-0.3 to V _{CC}	V
V ₃	Feedback voltage	-0.3 to V _{CC}	V
V ₂	Error amplifier output voltage	-0.3 to V _{CC}	V
V ₈	PGOOD	-0.3 to V _{CC}	V
V ₇	Synchronization mode selector	-0.3 to V _{CC}	V
P _{TOT}	Power dissipation at T _A = 70 °C	0.45	W
T _J	Junction operating temperature range	-40 to 150	°C
T _{STG}	Storage temperature range	-65 to 150	
LX pin	Maximum withstanding voltage range test condition: CDF-AEC-Q100-002 "human body model" acceptance criteria: "normal performance"	±1000	V
Other pins		±2000	

Table 4: Thermal data

Symbol	Parameter	Value	Unit
R _{thJA}	Thermal resistance junction-ambient for TSSOP8	180	°C/W
	Thermal resistance junction-ambient for VFQFPN8	56	

4 Electrical characteristics

$V_{IN} = 3.6\text{ V}$, $T_J = 25\text{ °C}$ unless otherwise specified.

Table 5: Electrical characteristics

Symbol	Parameter	Test conditions	Min.	Typ.	Max.	Unit
V_{CC}	Operating input voltage	After turn-on ⁽¹⁾	2		5.5	V
$V_{CC\ ON}$	Turn-on threshold			2.2		V
$V_{CC\ OFF}$	Turn-off threshold				2	V
V_{CC_hys}	Hysteresis			100		mV
R_p	High-side R_{on}	$V_{CC} = 3.6\text{ V}$, $I_{LX} = 100\text{ mA}$		240	300	m Ω
					400	
R_n	Low-side R_{on}	$V_{CC} = 3.6\text{ V}$, $I_{LX} = 100\text{ mA}$		215	300	m Ω
					400	
I_{LIM}	Peak current limit	$V_{CC} = 3.6\text{ V}$	1	1.2	1.5	A
			0.85		1.65	
	1		1.4	1.7		
	0.9			1.85		
	Valley current limit					
V_{OUT}	Output voltage range		V_{FB}		V_{CC}	V
f_{OSC}	Oscillator frequency			1.4		MHz
f_{sync}	Sync mode clock		1		2	
DC characteristics						
I_q	Quiescent current (low noise mode)	$V_{sync} = 0\text{ V}$, no-load, $V_{FB} > 0.6\text{ V}$		230		μA
	Quiescent current (low consumption mode)	$V_{sync} = V_{CC}$, no-load, $V_{FB} > 0.6\text{ V}$		25	50	
I_{sh}	Shutdown current	RUN to GND, $V_{CC} = 5.5\text{ V}$		0.2		
I_{LX}	LX leakage current	RUN to GND, $V_{LX} = 5.5\text{ V}$, $V_{CC} = 5.5\text{ V}$		1		
		RUN to GND, $V_{LX} = 0\text{ V}$, $V_{CC} = 5.5\text{ V}$		1		
Error amplifier characteristics						
V_{FB}	Voltage feedback		0.593	0.600	0.607	V
		⁽¹⁾	0.590	0.600	0.610	V
I_{FB}	Feedback input current	$V_{FB} = 0.6\text{ V}$		25		nA
Run						

Symbol	Parameter	Test conditions	Min.	Typ.	Max.	Unit
$V_{\text{RUN_H}}$	Run threshold high				1.3	V
$V_{\text{RUN_L}}$	Run threshold low		0.4			V
I_{RUN}	RUN input current			25		nA
SYNC/MODE function						
$V_{\text{sync_H}}$	Sync mode threshold high				1.3	V
$V_{\text{sync_L}}$	Sync mode threshold low		0.5			V
Power Good section						
V_{PGOOD}	Power Good threshold	$V_{\text{OUT}} = V_{\text{FB}}$		90		% V_{OUT}
ΔV_{PGOOD}	Power Good hysteresis	$V_{\text{OUT}} = V_{\text{FB}}$		4		
$V_{\text{PGOOD(low)}}$	Power Good low voltage	RUN to GND			0.4	V
$I_{\text{LK-PGOOD}}$	Power Good leakage current	$V_{\text{PGOOD}} = 3.6 \text{ V}$		50		nA
Protections						
HOVP	Hard overvoltage threshold	$V_{\text{OUT}} = V_{\text{FB}}$		10		% V_{OUT}

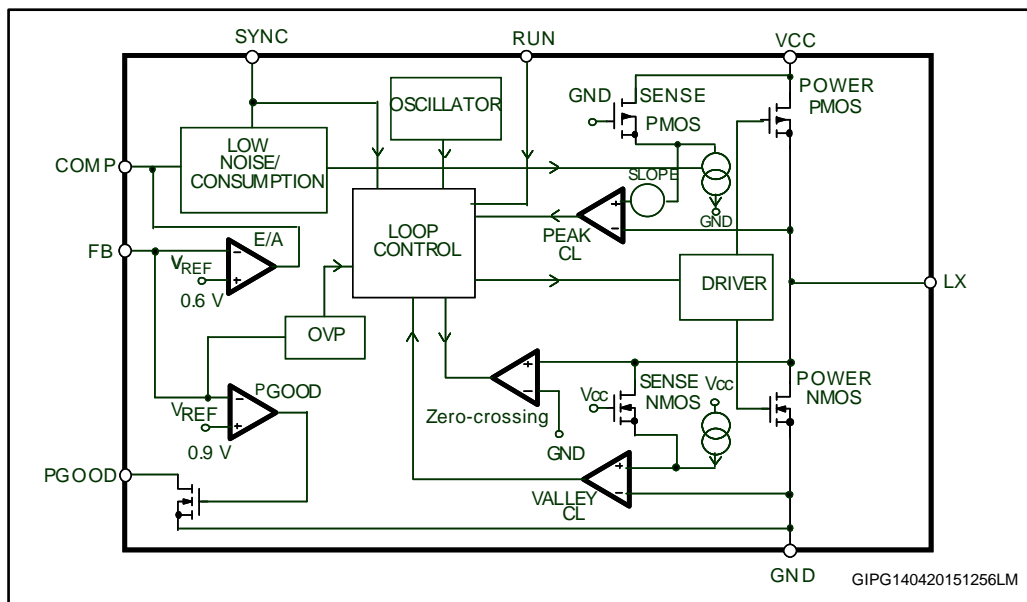
Notes:

⁽¹⁾Specification referred to T_J from $-40 \text{ }^\circ\text{C}$ to $+125 \text{ }^\circ\text{C}$. Specification over the -40 to $+125 \text{ }^\circ\text{C}$ T_J temperature range is assured by design, characterization and statistical correlation.

5 Detailed description

The main loop uses slope compensated PWM current mode architecture. For each cycle, the high-side MOSFET is turned on, triggered by the oscillator, so that the current, flowing through it (the same as the inductor current), increases. When this current reaches the threshold (set by the output of the error amplifier E/A), the peak current limit comparator PEAK_CL turns off the high-side MOSFET and turns on the low-side one until the next clock cycle begins or the current, flowing through it, goes down to zero (zero-crossing comparator). The peak inductor current required to trigger PEAK_CL depends on the slope compensation signal and on the output of the error amplifier. In particular, the error amplifier output depends on the VFB pin voltage. When the output current increases, the output capacitor is discharged and the VFB pin decreases. This produces the error amplifier output rise, so to allow a higher value for the peak inductor current. For the same reason, when the output current decreases, due to a load transient, the error amplifier output goes low, so to reduce the peak inductor current to meet the new load requirements. The slope compensation signal allows the loop stability in high duty cycle conditions.

Figure 3: Device block diagram



5.1 Modes of operation

Depending on the SYNC pin value, the device can operate in low consumption or low noise mode. If the SYNC pin is high (higher than 1.3 V) the low consumption mode is selected while the low noise mode is selected if the SYNC pin is low (lower than 0.5 V).

5.1.1 Low consumption mode

In this mode of operation, at light load, the device operates discontinuously based on the COMP pin voltage, in order to keep the efficiency very high in these conditions. While the device doesn't switch, the load discharges the output capacitor and the output voltage goes down. When the feedback voltage goes lower than the internal reference, the COMP pin voltage increases and when an internal threshold is reached, the device starts switching and the output capacitor is recharged. In these conditions, the peak current limit is set approximately in the range of 200 mA to 400 mA, depending on the slope compensation.

The feedback pin increases and, when it reaches a value slightly higher than the reference voltage, the output of the error amplifier goes down until a clamp is activated. At this point, the device stops switching. In this phase, the internal circuitries are off, so to reduce the device consumption down to a typical value of 25 μA .

5.1.2 Low noise mode

If the low frequencies of the low consumption mode are undesirable, the low noise mode can be selected. In low noise mode, the efficiency is a little bit lower compared with the low consumption mode in very light load conditions but for medium and high load currents the efficiency values are very similar. Basically, the device switches with its internal free running frequency of 1.4 MHz. Obviously, in very light load conditions, the device could skip some cycles in order to keep the output voltage in regulation.

5.1.3 Synchronization

The device can also be synchronized by an external signal from 1 MHz up to 2 MHz. In this case the low noise mode is automatically selected. The device skips some cycles in very light load conditions. The internal synchronization circuit is inhibited in short-circuit and overvoltage conditions in order to keep the protection effective.

5.2 Short-circuit protection

During the device operation, the inductor current increases during the high-side turn-on phase and decreases during the high-side turn-off phase based on the following equations:

Equation 1:

$$\Delta I_{\text{ON}} = \frac{(V_{\text{IN}} - V_{\text{OUT}})}{L} \cdot T_{\text{ON}}$$

Equation 2:

$$\Delta I_{\text{OFF}} = \frac{(V_{\text{OUT}})}{L} \cdot T_{\text{OFF}}$$

In strong overcurrent or short-circuit conditions, the V_{OUT} can be very close to zero. In this case ΔI_{ON} increases and ΔI_{OFF} decreases. When the inductor peak current reaches the current limit, the high-side MOSFET turns off and so the T_{ON} is reduced down to the minimum value (250 ns typ.) in order to reduce as much as possible ΔI_{ON} . Anyway, if V_{OUT} is low enough, the inductor peak current increases furtherly because during the T_{OFF} the current decays very slowly. Due to this reason a second protection, fixing the maximum inductor valley current, has been introduced. This protection doesn't allow the high-side MOSFET to turn on if the current, flowing through the inductor, is higher than a specified threshold (valley current limit). Basically the T_{OFF} increases as much as required to bring the inductor current down to this threshold. So, the maximum peak current in worst case conditions is:

Equation 3:

$$I_{\text{PEAK}} = I_{\text{VALLEY}} + \frac{V_{\text{IN}}}{L} \cdot T_{\text{ON_MIN}}$$

Where I_{PEAK} is the valley current limit (1.4 A typ.) and $T_{\text{ON_MIN}}$ is the minimum T_{ON} of the high-side MOSFET.

5.3 Slope compensation

In current mode architecture, when the duty cycle of the application is higher than approximately 50%, a pulse-by-pulse instability (so-called subharmonic oscillation) can occur. In these conditions, to allow loop stability, a slope compensation is present by reducing the current flowing through the inductor to trigger the COMP comparator (with a fixed value for the COMP pin voltage). With a given duty cycle higher than 50%, the stability problem is particularly present with a higher input voltage (due to the increased current ripple across the inductor), so the slope compensation effect increases as the input voltage increases. From an application point of view, the final effect is that the peak current limit depends both on the duty cycle (if higher than approximately 40%) and on the input voltage.

5.4 Loop stability

Since the device is developed by a current mode architecture, the loop stability is usually not an issue. For most of applications, a 220 pF connected between the COMP pin and ground can guarantee the stability. Very low ESR capacitors are used for the output filter, such as multilayer ceramic capacitors, the zero introduced by the capacitor itself can shift to very high frequency and the transient loop response could be affected. A series resistor added to the 220 pF capacitor can solve this problem. The right value for the resistor (in the range of 50 k) can be given by checking the load transient response of the device. Basically, the output voltage has to be checked at the scope after the load steps required by the application. In case of stability problems, the output voltage could oscillate before than the regulated value is reached after a load step.

6 Additional features and description

6.1 Dropout operation

The Li-Ion battery voltage ranges from approximately 3 V and 4.1 V to 4.2 V (depending on the anode material). If the regulated output voltage is from 2.5 V and 3.3 V, close to the end of the battery life, the battery voltage goes down to the regulated one. In this case the device stops switching, working at 100% of duty cycle, so minimizing the dropout voltage and the device losses.

6.2 PGOOD

A Power Good output signal is available. The V_{FB} pin is internally connected to a comparator with a threshold set at 90% of the reference voltage (0.6 V). Since the output voltage is connected to the V_{FB} pin by a resistor divider, when the output voltage goes lower than the regulated value, the V_{FB} pin voltage goes lower than 90% of the internal reference value. The internal comparator is triggered and the PGOOD pin is pulled down. The pin is an open drain output and so, a pull-up resistor should be connected to him. If the feature is not required, the pin can be left floating.

6.3 Adjustable output voltage

The output voltage can be adjusted by an external resistor divider from a minimum value of 0.6 V up to the input voltage. The output voltage value is given by the below equation:

Equation 4:

$$V_{OUT} = 0.6 \cdot \left(1 + \frac{R_2}{R_1}\right)$$

6.4 OVP (overvoltage protection)

The device has an internal overvoltage protection circuit to protect the load. If the voltage on the feedback pin goes higher than an internal threshold set 10% (typ.) higher than the reference voltage, the low-side power MOSFET turns on until the feedback voltage goes lower than the reference one. During the overvoltage circuit intervention, the zero-crossing comparator is disabled so that the device is also able to sink current.

6.5 Thermal shutdown

The device has also a thermal shutdown protection active when the junction temperature reaches 150 °C. In this case both the high-side MOSFET and the low-side turn off. Once the junction temperature goes back lower than 95 °C, the device restarts the normal operation.

7 Package information

In order to meet environmental requirements, ST offers these devices in different grades of ECOPACK® packages, depending on their level of environmental compliance. ECOPACK® specifications, grade definitions and product status are available at: www.st.com. ECOPACK® is an ST trademark.

7.1 TSSOP8 package information

Figure 4: TSSOP8 package outline

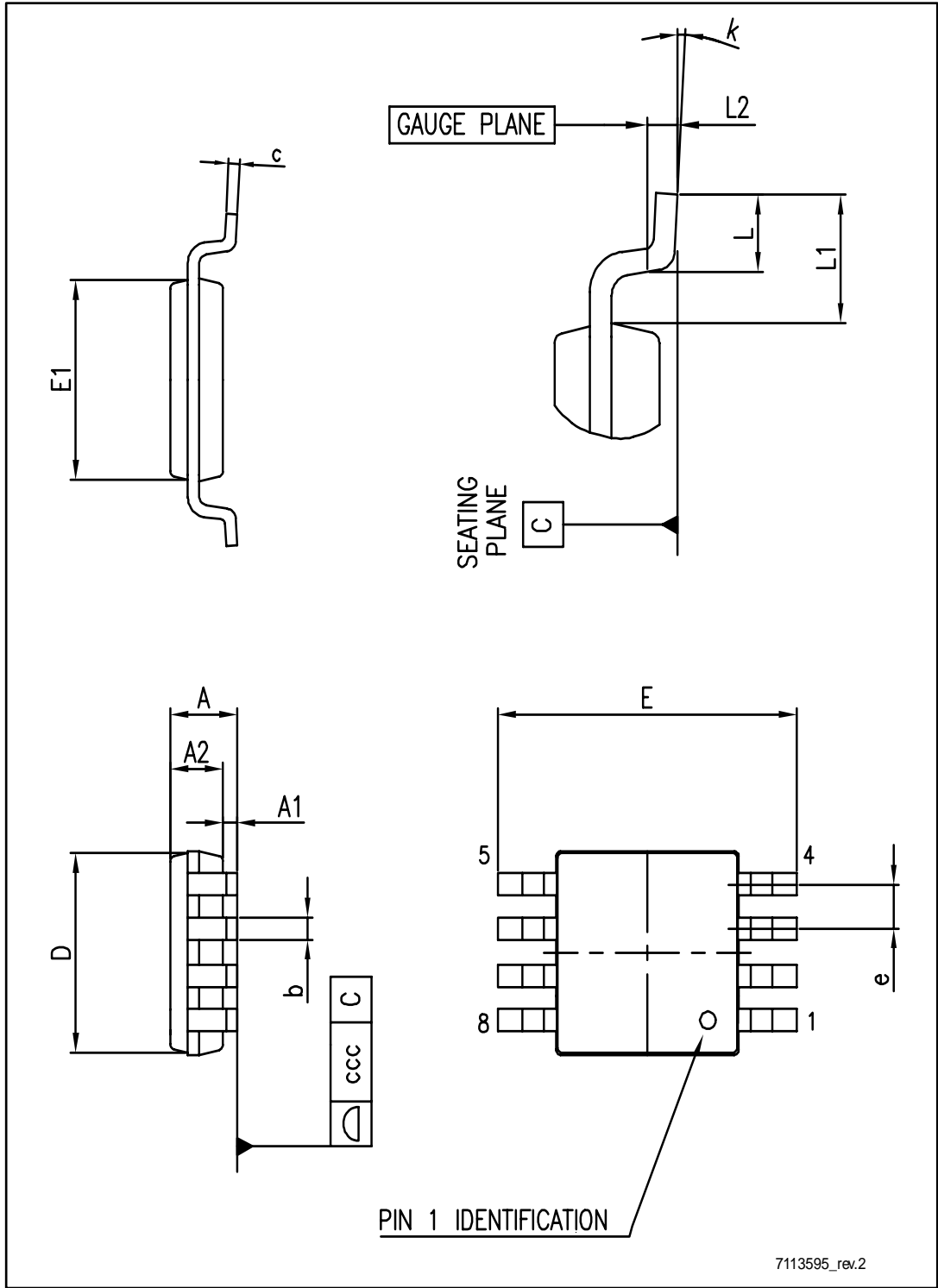


Table 6: TSSOP8 package mechanical data

Dim.	mm		
	Min.	Typ.	Max.
A			1.10
A1			0.15
A2	0.75	0.85	0.95
b	0.22		0.40
c	0.08		0.23
D	2.80	3.00	3.20
E	4.65	4.90	5.15
E1	2.80	3.00	3.10
e		0.65	
L	0.40	0.60	0.80
L1		0.95	
L2		0.25	
k	0		8
ccc			0.10



Dimensions D and E1 don't include mold flash or protrusions. Mold flash or protrusions do not exceed 0.15 mm per side.

7.2 VFQFPN8 package information

Figure 5: VFQFPN8 package outline

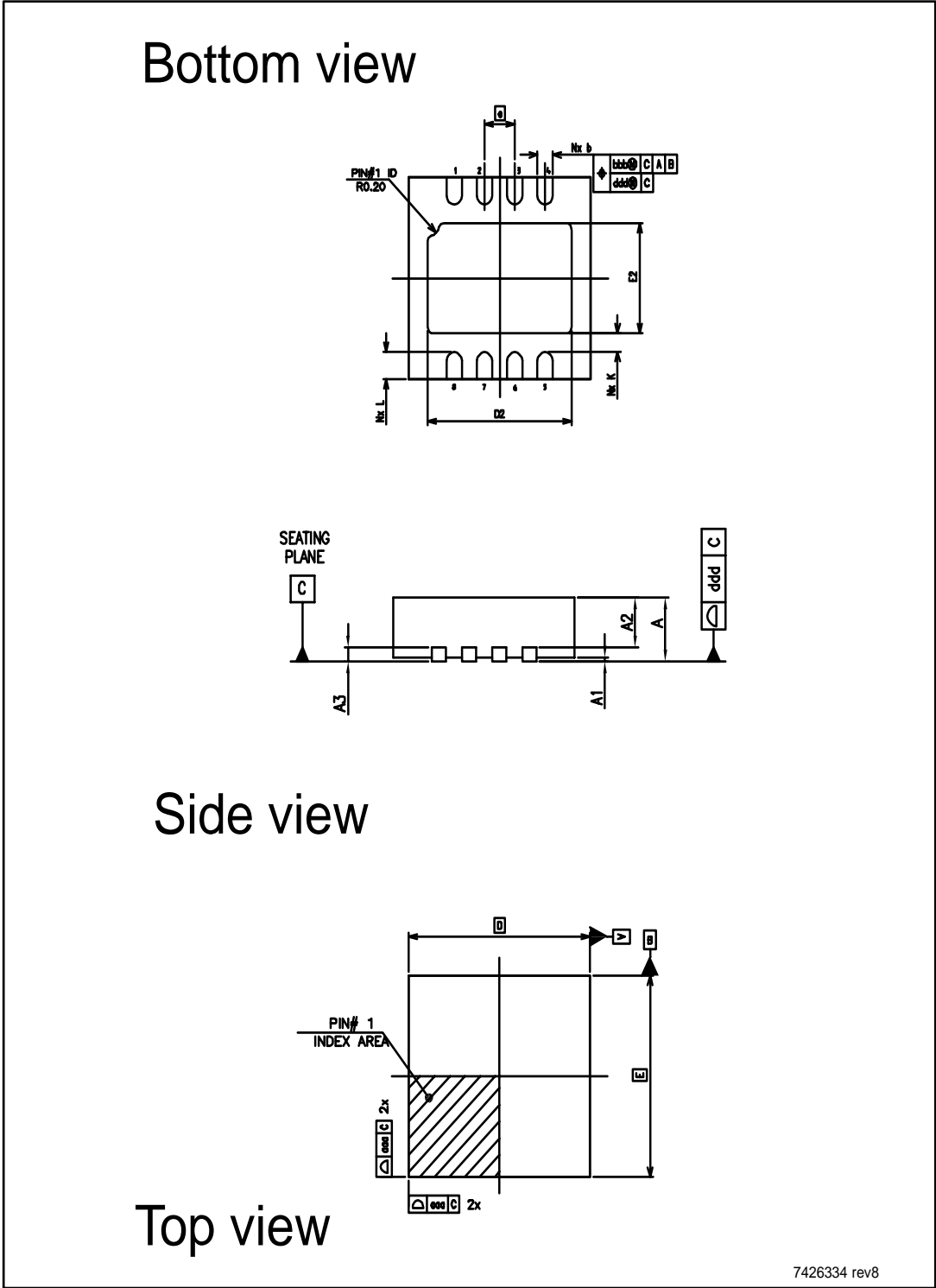


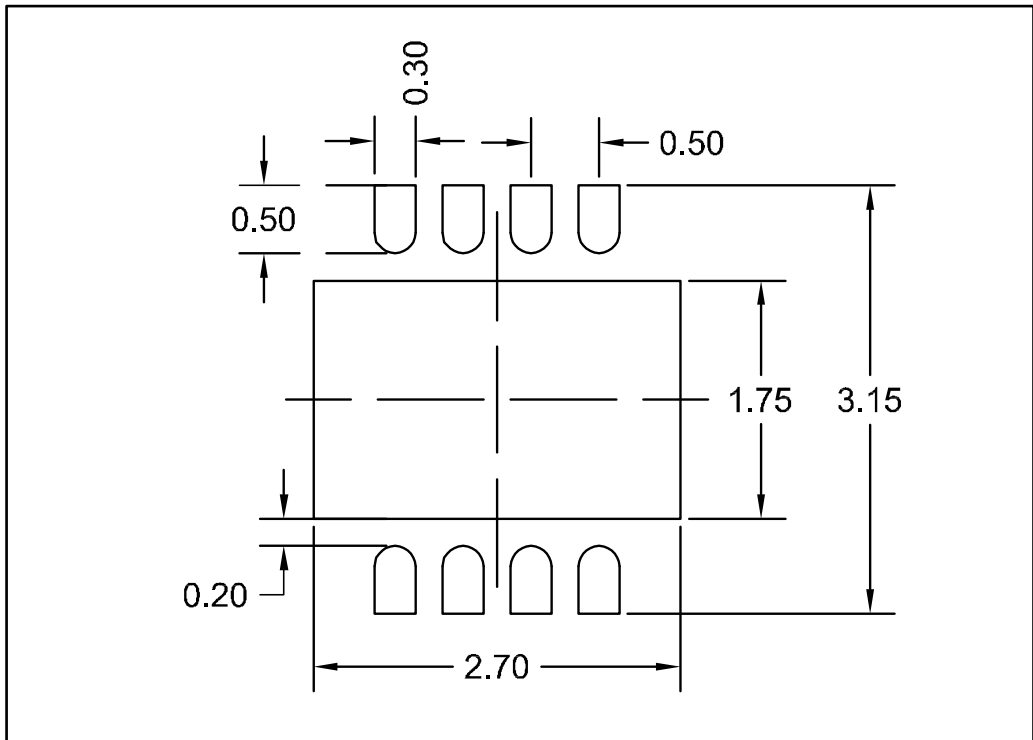
Table 7: VFQFPN8 package mechanical data

Dim.	mm		
	Min.	Typ.	Max.
A	0.80	0.90	1.00
A1		0.02	
A2	0.55	0.65	0.80
A3		0.20	
b	0.18	0.25	0.30
D	2.85	3.00	3.15
D2 (P1C7)	2.20		2.70
D2 (9957/996H)	2.234	2.384	2.484
E	2.85	3.00	3.15
E2(P1C7)	1.40		1.75
E2 (9957/996H)	1.496	1.646	1.746
e		0.50	
K	0.20		
L	0.30	0.40	0.50
aaa	0.05		
bbb	0.10		
ccc	0.10		
ddd	0.05		
eee	0.08		
N	8		
ND	4		



VFQFPN is a standard for thermally enhanced plastic, very thin fine pitch quad flat package, no leads.

Figure 6: VFQFPN8 recommended footprint



8 Revision history

Table 8: Document revision history

Date	Revision	Changes
07-Oct-2004	1	Initial release.
04-Feb-2005	2	Changed from product preview to final datasheet.
27-Nov-2005	3	Updated <i>Table 5. Electrical characteristics</i> . Added VFQFPN8 package and new part numbers.
27-Oct-2006	4	Added R_{thJA} for VFQFPN8 in <i>Table 3</i> .
22-Aug-2007	5	Updated order code table.
11-Apr-2011	6	Updated <i>TSSOP8 package information</i> and <i>figure 4</i> .
20-Dec-2011	7	Updated <i>figure 1</i> . Added pin connection figure.
21-Apr-2015	8	Deleted footnote 2 in <i>table 5</i> .
26-Oct-2016	9	Updated <i>Table 5: "Electrical characteristics"</i> .

IMPORTANT NOTICE – PLEASE READ CAREFULLY

STMicroelectronics NV and its subsidiaries ("ST") reserve the right to make changes, corrections, enhancements, modifications, and improvements to ST products and/or to this document at any time without notice. Purchasers should obtain the latest relevant information on ST products before placing orders. ST products are sold pursuant to ST's terms and conditions of sale in place at the time of order acknowledgement.

Purchasers are solely responsible for the choice, selection, and use of ST products and ST assumes no liability for application assistance or the design of Purchasers' products.

No license, express or implied, to any intellectual property right is granted by ST herein.

Resale of ST products with provisions different from the information set forth herein shall void any warranty granted by ST for such product.

ST and the ST logo are trademarks of ST. All other product or service names are the property of their respective owners.

Information in this document supersedes and replaces information previously supplied in any prior versions of this document.

© 2016 STMicroelectronics – All rights reserved

Данный компонент на территории Российской Федерации

Вы можете приобрести в компании MosChip.

Для оперативного оформления запроса Вам необходимо перейти по данной ссылке:

<http://moschip.ru/get-element>

Вы можете разместить у нас заказ для любого Вашего проекта, будь то серийное производство или разработка единичного прибора.

В нашем ассортименте представлены ведущие мировые производители активных и пассивных электронных компонентов.

Нашей специализацией является поставка электронной компонентной базы двойного назначения, продукции таких производителей как XILINX, Intel (ex.ALTERA), Vicor, Microchip, Texas Instruments, Analog Devices, Mini-Circuits, Amphenol, Glenair.

Сотрудничество с глобальными дистрибьюторами электронных компонентов, предоставляет возможность заказывать и получать с международных складов практически любой перечень компонентов в оптимальные для Вас сроки.

На всех этапах разработки и производства наши партнеры могут получить квалифицированную поддержку опытных инженеров.

Система менеджмента качества компании отвечает требованиям в соответствии с ГОСТ Р ИСО 9001, ГОСТ РВ 0015-002 и ЭС РД 009

Офис по работе с юридическими лицами:

105318, г.Москва, ул.Щербаковская д.3, офис 1107, 1118, ДЦ «Щербаковский»

Телефон: +7 495 668-12-70 (многоканальный)

Факс: +7 495 668-12-70 (доб.304)

E-mail: info@moschip.ru

Skype отдела продаж:

moschip.ru

moschip.ru_4

moschip.ru_6

moschip.ru_9