

THC63LVD827

LOW POWER / SMALL PACKAGE / 24Bit COLOR LVDS TRANSMITTER

General Description

The THC63LVD827 transmitter is designed to support pixel data transmission between Host and Flat Panel Display and Dual Link transmission between Host and Flat Panel Display up to 1080p/1920x1440 resolutions.

The THC63LVD827 converts 27bits (RGB 8 bits + Hsync, Vsync, DE) of CMOS/TTL data into LVDS (Low Voltage Differential Signaling) data stream. The transmitter can be programmed for rising edge or falling edge clocks through a dedicated pin.

For dual LVDS out, LVDS clock frequency of 87MHz, 51bits of RGB data are transmitted at an effective rate of 609Mbps per LVDS channel.

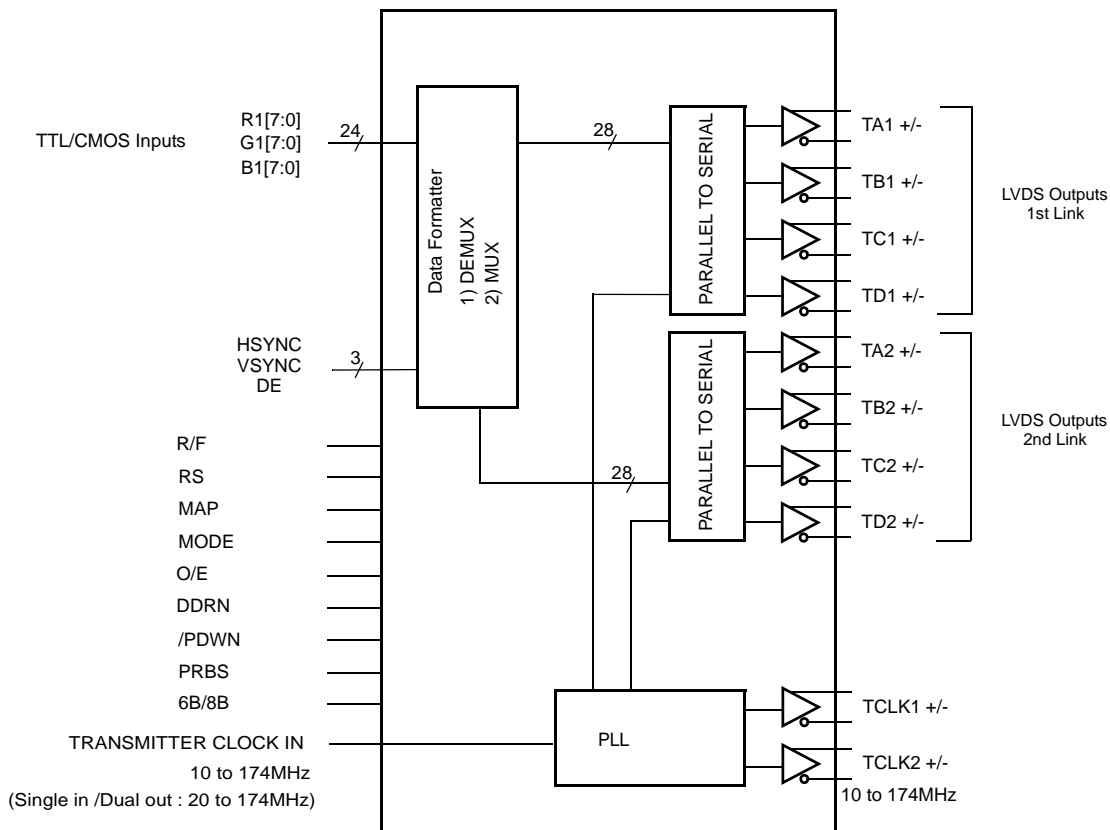
For single LVDS out, LVDS clock frequency of 174MHz, 27bits of RGB data are transmitted at an effective rate of 1218Mbps per LVDS channel.

21bits (RGB 6 bits + Hsync, Vsync, DE) mode is also selectable for 6bit color transmission with lower power.

Features

- Low power 1.8V CMOS design
- 7mm x 7mm/72pin/0.65mm pitch/TFBGA package applicable to non-HDI PCB.
- Wide dot clock range, 10-174MHz, suited for TV Signal: up to 1080p(74.25MHz dual)
PC Signal: up to 1920x1440(86MHz dual)
- Supports 1.8V single power supply
- 1.8V/2.5V/3.3V TTL/CMOS inputs are supported by setting IOVCC=1.8V/2.5V/3.3V
- LVDS swing reducible by RS-pin to reduce both EMI and power consumption
- PLL requires No external components
- Flexible Input/Output mode
 1. Single in / Dual LVDS out
 2. Single in / Single LVDS out
 3. Double edge Single in / Dual LVDS out
- 2 LVDS data mapping to simplify PCB layout
- Power down mode
- Input clock triggering edge selectable by R/F pin
- 6bit / 8bit modes selectable by 6B/8B pin

Block Diagram



Pin Out (top view)

TOP VIEW

	1	2	3	4	5	6	7	8	9	
A	TA1+	TB1+	TC1+	TCLK1 +	TD1+	TA2+	TB2+	TC2+	TCLK2 +	A
B	TA1-	TB1-	TC1-	TCLK1 -	TD1-	TA2-	TB2-	TC2-	TCLK2 -	B
C	PRBS	N/C	Reserved1	GND	LVDS VCC	GND	PLL VCC	TD2-	TD2+	C
D	R11	R10	LVDS VCC				GND	/PDWN	O/E	D
E	R13	R12	GND				MODE	MAP	DDRN	E
F	R15	R14	GND				6B/8B	RS	CLKIN	F
G	R17	R16	VCC	GND	VCC	GND	IOVCC	R/F	DE	G
H	G10	G12	G14	G16	B10	B12	B14	B16	VSYNC	H
J	G11	G13	G15	G17	B11	B13	B15	B17	HSYNC	J
	1	2	3	4	5	6	7	8	9	

Pin Description

Pin Name	Pin #	Type	Description						
TA1+, TA1-	A1,B1	LVDS OUT	The 1st Link. The 1st pixel output data when Dual out. Output data when Single out.						
TB1+, TB1-	A2,B2								
TC1+, TC1-	A3,B3								
TD1+, TD1-	A5,B5								
TCLK1+, TCLK1-	A4,B4	LVDS OUT	LVDS Clock Out for 1st Link.						
TA2+, TA2-	A6,B6	LVDS OUT	The 2nd Link. The 2nd pixel output data when Dual out.						
TB2+, TB2-	A7,B7								
TC2+, TC2-	A8,B8								
TD2+, TD2-	C9,C8								
TCLK2+, TCLK2-	A9,B9	LVDS OUT	LVDS Clock Out for 2nd Link.						
R17 ~ R10	G1,G2,F1,F2 E1,E2,D1,D2	IN	Pixel Data Inputs.						
G17 ~ G10	J4,H4,J3,H3 J2,H2,J1,H1								
B17 ~ B10	J8,H8,J7,H7 J6,H6,J5,H5								
DE	G9	IN	Data Enable Input.						
VSYNC	H9	IN	Vsync Input.						
HSYNC	J9	IN	Hsync Input.						
CLKIN	F9	IN	Clock Input.						
R/F	G8	IN	Input Clock Triggering Edge Select. H: Rising edge, L: Falling edge						
RS	F8	IN	LVDS swing mode select. <table border="1" style="margin-left: auto; margin-right: auto;"> <thead> <tr> <th>RS</th> <th>LVDS Swing (VOD, see Fig4 and Fig5)</th> </tr> </thead> <tbody> <tr> <td>H</td> <td>350mV</td> </tr> <tr> <td>L</td> <td>200mV</td> </tr> </tbody> </table>	RS	LVDS Swing (VOD, see Fig4 and Fig5)	H	350mV	L	200mV
RS	LVDS Swing (VOD, see Fig4 and Fig5)								
H	350mV								
L	200mV								
MAP	E8	IN	LVDS mapping table select. See Fig9 and Fig10. <table border="1" style="margin-left: auto; margin-right: auto;"> <thead> <tr> <th>MAP</th> <th>Mapping Mode</th> </tr> </thead> <tbody> <tr> <td>H</td> <td>Mapping MODE1</td> </tr> <tr> <td>L</td> <td>Mapping MODE2</td> </tr> </tbody> </table>	MAP	Mapping Mode	H	Mapping MODE1	L	Mapping MODE2
MAP	Mapping Mode								
H	Mapping MODE1								
L	Mapping MODE2								
MODE	E7	IN	Pixel data mode. See Fig7 and Fig8. <table border="1" style="margin-left: auto; margin-right: auto;"> <thead> <tr> <th>MODE</th> <th>Modes</th> </tr> </thead> <tbody> <tr> <td>H</td> <td>Single out (Single-in/Single-out)</td> </tr> <tr> <td>L</td> <td>Dual out (Single-in/Dual-out)</td> </tr> </tbody> </table>	MODE	Modes	H	Single out (Single-in/Single-out)	L	Dual out (Single-in/Dual-out)
MODE	Modes								
H	Single out (Single-in/Single-out)								
L	Dual out (Single-in/Dual-out)								
O/E	D9	IN	Output enable. H: Output enable, L: Output disable (all outputs are Hi-Z).						
/PDWN	D8	IN	H: Normal operation, L: Power down (all outputs are Hi-Z and all circuits are stand-by mode with minimum current (ITCCS)).						
PRBS ^a	C1	IN	Must be tied to GND.						

Pin Description (Continued)

Pin Name	Pin #	Type	Description
Reserved1	C3	IN	Must be tied to GND.
6B/8B	F7	IN	6bit / 8bit mode select. H: 6bit mode (21bit mode), L: 8bit mode (27bit mode).
DDRN	E9	IN	DDR function is active when MODE = L (Dual-out mode). H: DDR (Double Edge input) function disable (Fig4). L: DDR (Double Edge input) function enable (Fig5).
N/C	C2		Must be Open.
VCC	G3,G5	Power	Power Supply Pins for digital circuitry.
IOVCC	G7	Power	Power Supply Pin for IO inputs circuitry.
LVDSVCC	C5,D3	Power	Power Supply Pins for LVDS Outputs.
PLLVCC	C7	Power	Power Supply Pin for PLL circuitry.
GND	F3,G4,G6,C4, E3,C6,D7	Ground	Ground Pins.

- a: Setting the PRBS pin high enables the internal test pattern generator. It generates Pseudo-Random Bit Sequence of $2^{23}-1$. The generated PRBS is fed into input data latches, encoded and serialized into LVDS OUT. This function is normally to be used for analyzing the signal integrity of the transmission channel including PCB traces, connectors, and cables.

Absolute Maximum Ratings

Supply Voltage (IOVCC)	-0.3V ~ +4.0V
Supply Voltage (VCC, PLLVCC, LVDSVCC)	-0.3V ~ +2.1V
CMOS/TTL Input Voltage	-0.3V ~ (IOVCC+ 0.3V)
LVDS Transmitter Output Voltage	-0.3V ~ (LVDSVCC + 0.3V)
Output Current	-50mA ~ 50mA
Junction Temperature	+125°C
Storage Temperature Range	-55°C ~ +125°C
Reflow Peak Temperature / Time	+260°C / 10sec.
Maximum Power Dissipation @+25°C	1.3W

Recommended Operating Conditions

Parameter				Min	Typ	Max	Units
Supply Voltage (IOVCC)				1.62	1.8 / 2.5 / 3.3	3.6	V
Supply Voltage (PLLVCC / LVDSVCC / VCC)				1.62	1.8	1.98	V
Operating Ambient Temperature (Ta)				-40		85	°C
Clock Frequency	MODE=L Dual-out	Single Edge Input (DDRN=H)	Input	20		174	MHz
			LVDS Output	10		87	MHz
		Double Edge Input (DDRN=L)	Input	10		174	MHz
			LVDS Output	10		174	MHz
	MODE=H Single-out		Input	10		174	MHz
			LVDS Output	10		174	MHz

Electrical Characteristics

CMOS/TTL (Pin type “IN”) DC Specifications

Over recommended operating supply and temperature ranges unless otherwise specified.

Symbol	Parameter	Conditions	Min.	Typ.	Max.	Units
V _{IH18}	High Level Data Input Voltage	IOVCC=1.62V~1.98V	0.65 IOVCC		IOVCC+0.3	V
V _{IL18}	Low Level Data Input Voltage		-0.3		0.35 IOVCC	V
V _{IH25}	High Level Data Input Voltage	IOVCC=2.3V~2.7V	1.7		IOVCC+0.3	V
V _{IL25}	Low Level Data Input Voltage		-0.3		0.7	V
V _{IH33}	High Level Data Input Voltage	IOVCC=3.0V~3.6V	2.0		IOVCC+0.3	V
V _{IL33}	Low Level Data Input Voltage		-0.3		0.8	V
I _{INC}	Input Current	V _{IN} =GND~IOVCC	-10		10	μA

LVDS Transmitter (Pin type “LVDS OUT”) DC Specifications

Over recommended operating supply and temperature ranges unless otherwise specified.

Symbol	Parameter	Conditions	Min.	Typ.	Max.	Units	
VOD	Differential Output Voltage	RL=100Ω	Normal swing RS= H	250	350	450	mV
			Reduced swing RS= L	140	200	300	mV
ΔVOD	Change in VOD between complementary output states	RL=100Ω			35	mV	
VOC	Common Mode Voltage		1.125	1.25	1.375	V	
ΔVOC	Change in VOC between complementary output states				35	mV	
I _{OS}	Output Short Circuit Current	V _{OUT} =GND, RL=100Ω			100	mA	
I _{OZ}	Output TRI-State current	/PDWN=L, V _{OUT} =GND~LVDSVCC	-20		20	μA	

Electrical Characteristics (Continued)

Supply Current

Over recommended operating supply and temperature ranges unless otherwise specified.

Symbol	Parameter	Conditions			Typ. ^(a)	Max. ^(b)	Units
I _{TCCW}	Transmitter Supply Current	RL=100Ω CL=5pF RS = H (RS = L)	MODE=H Single-out	CLKIN=37MHz	24 (18)	33 (26)	mA
				CLKIN=65MHz	29 (23)	43 (37)	mA
				CLKIN=72MHz	30 (24)	46 (40)	mA
			MODE=L Dual-out	CLKIN=89MHz	48 (36)	65 (53)	mA
				CLKIN=119MHz	53 (41)	75 (63)	mA
			DDRN=H DDR Input Off	CLKIN=139MHz	56 (44)	82 (70)	mA
				CLKIN=154MHz	58 (46)	88 (76)	mA
			MODE=L Dual-out	CLKIN=44.5MHz	47 (35)	64 (52)	mA
				CLKIN=59.5MHz	51 (39)	74 (62)	mA
				DDRN=L DDR Input On	CLKIN=69MHz	54 (42)	80 (68)
CLKIN=77MHz	56 (44)	85 (73)			mA		
I _{TCCS}	Transmitter Power Down Supply Current	/PDWN = L, All Inputs = Fixed L or H			1	50	uA

(a) All Typ. values are at V_{CC}=1.8V, T_a=25°C . The 256 Grayscale Test Pattern inputs test for a typical display pattern.

(b) All Max. values are at V_{CC}=1.98V, T_a=85°C . Worst Case Test Pattern produces maximum switching frequency for all the LVDS outputs (Fig.1).

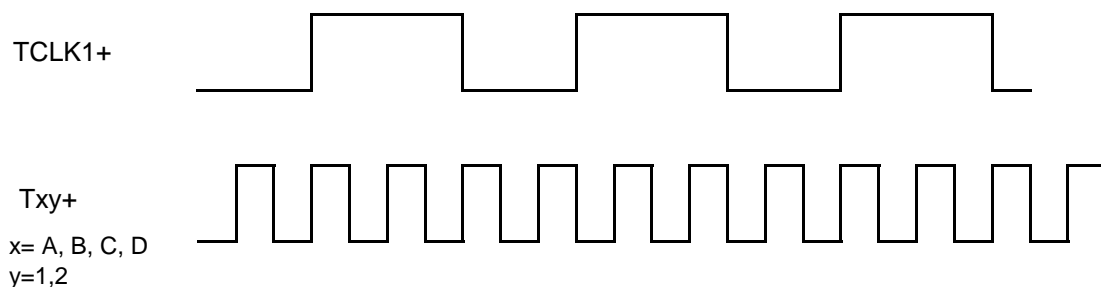


Fig1. Test Pattern
(LVDS Output Full Toggle Pattern)

Switching Characteristics

Over recommended operating supply and temperature ranges unless otherwise specified.

Symbol	Parameter		Min.	Typ.	Max.	Units
t _{TCIP}	CLK IN Period(Fig4,5)		5.75		100	ns
t _{TCH}	CLK IN High Time(Fig4,5)		0.35t _{TCIP}	0.5t _{TCIP}	0.65t _{TCIP}	ns
t _{TCL}	CLK IN Low Time(Fig4,5)		0.35t _{TCIP}	0.5t _{TCIP}	0.65t _{TCIP}	ns
t _{TS}	TTL Data Setup to CLK IN(Fig4,5)		0.8			ns
t _{TH}	TTL Data Hold from CKL IN(Fig4,5)		0.8			ns
t _{TCD}	CLK IN to TCLK+/- Delay (Fig4,5)	MODE=L,DDR=H	9t _{TCIP} +3.1		9t _{TCIP} +8.0	ns
		Others	5t _{TCIP} +3.1		5t _{TCIP} +8.0	ns
t _{TCOP}	CLK OUT Period(Fig6)		5.75		100	ns
t _{LVT}	LVDS Transition Time(Fig2)			0.6	1.5	ns
t _{TOP1}	Output Data Position0 (Fig6)	t _{TCOP} = 5.75ns~15ns	-0.15	0.0	+0.15	ns
t _{TOP0}	Output Data Position1 (Fig6)		$\frac{t_{TCOP}}{7} - 0.15$	$\frac{t_{TCOP}}{7}$	$\frac{t_{TCOP}}{7} + 0.15$	ns
t _{TOP6}	Output Data Position2 (Fig6)		$2\frac{t_{TCOP}}{7} - 0.15$	$2\frac{t_{TCOP}}{7}$	$2\frac{t_{TCOP}}{7} + 0.15$	ns
t _{TOP5}	Output Data Position3 (Fig6)		$3\frac{t_{TCOP}}{7} - 0.15$	$3\frac{t_{TCOP}}{7}$	$3\frac{t_{TCOP}}{7} + 0.15$	ns
t _{TOP4}	Output Data Position4 (Fig6)		$4\frac{t_{TCOP}}{7} - 0.15$	$4\frac{t_{TCOP}}{7}$	$4\frac{t_{TCOP}}{7} + 0.15$	ns
t _{TOP3}	Output Data Position5 (Fig6)		$5\frac{t_{TCOP}}{7} - 0.15$	$5\frac{t_{TCOP}}{7}$	$5\frac{t_{TCOP}}{7} + 0.15$	ns
t _{TOP2}	Output Data Position6 (Fig6)		$6\frac{t_{TCOP}}{7} - 0.15$	$6\frac{t_{TCOP}}{7}$	$6\frac{t_{TCOP}}{7} + 0.15$	ns
t _{TPLL}	Phase Lock Time(Fig3)				10.0	ms
t _{DEINT}	DE input period (Fig3-1) Dual out mode only (MODE=L)		4t _{TCIP}	t _{TCIP} *(2n) ^(a)		ns
t _{DEH}	DE High time (Fig3-1) Dual-out mode only (MODE=L)		2t _{TCIP}	t _{TCIP} *(2m) ^(a)		ns
t _{DEL}	DE Low time(Fig3-1) Dual-out mode only (MODE=L)		2t _{TCIP}			ns

(a) Refer to Fig3-1 for details.

AC Timing Diagrams

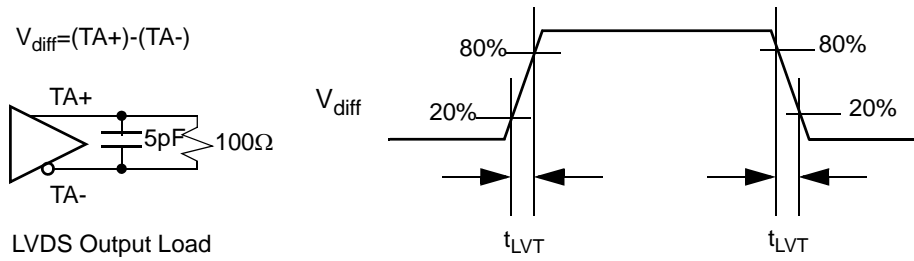


Fig2. LVDS Output Load and Transition Time

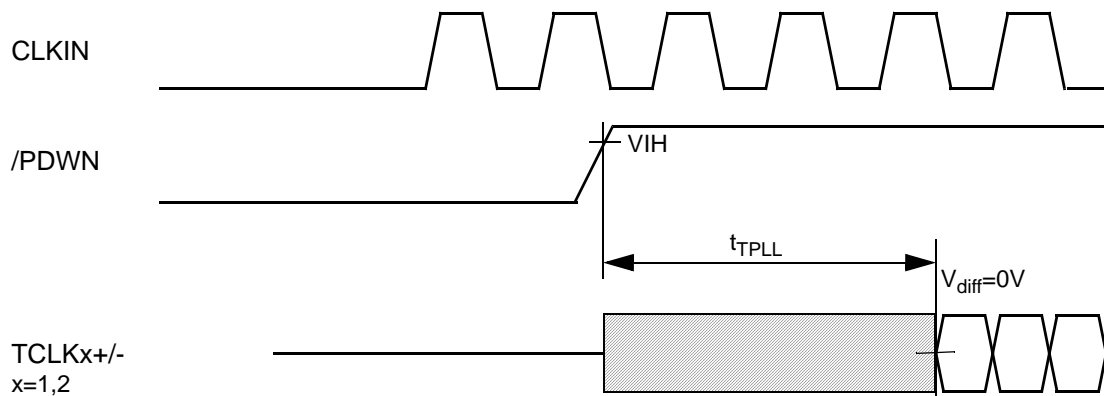
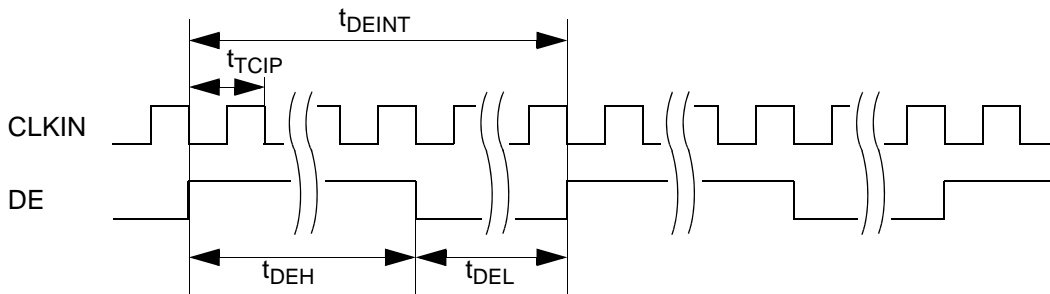


Fig3. PLL Lock Time



Note: In dual-out mode (MODE=L), the period between rising edges of DE (t_{DEINT}), high time of DE (t_{DEH}) should always satisfy following equations.

$$t_{DEH} = t_{TCIP} * (2m)$$

$$t_{DEINT} = t_{TCIP} * (2n)$$

$m, n = \text{integer}$

Fig3-1. Dual OUT mode DE input timing

AC Timing Diagrams (Continued)

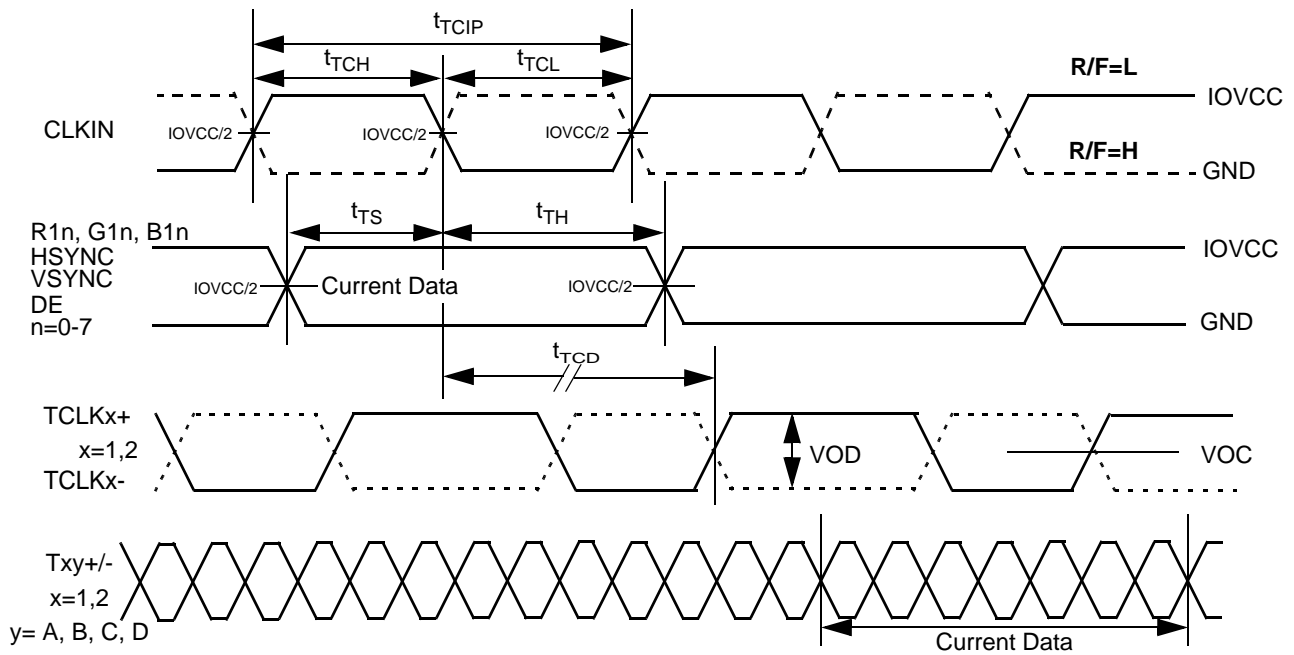


Fig4. CLKIN Period, High/Low Time, Setup/Hold Timing for Single Edge Input Mode

MODE=H or MODE=L,DDR=H

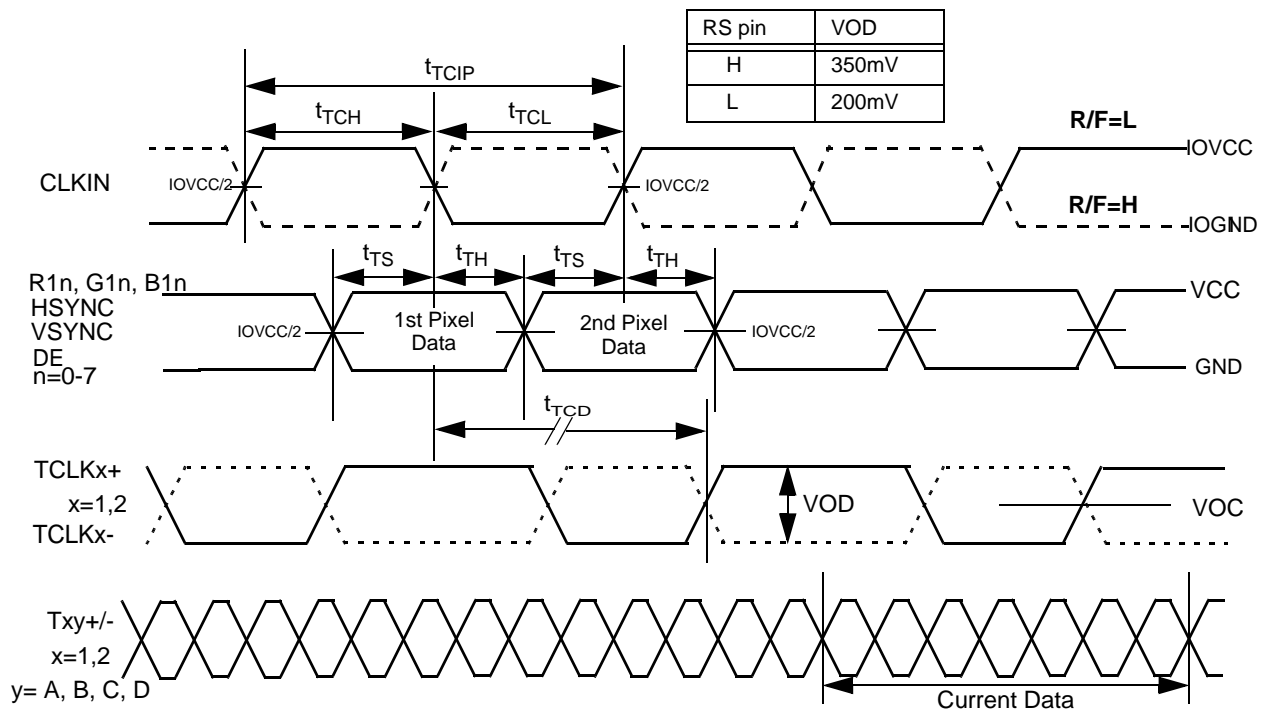


Fig5. CLKIN Period, High/Low Time, Setup/Hold Timing for Double Edge Input Mode (DDR)

MODE=L,DDRN=L

AC Timing Diagrams (Continued)

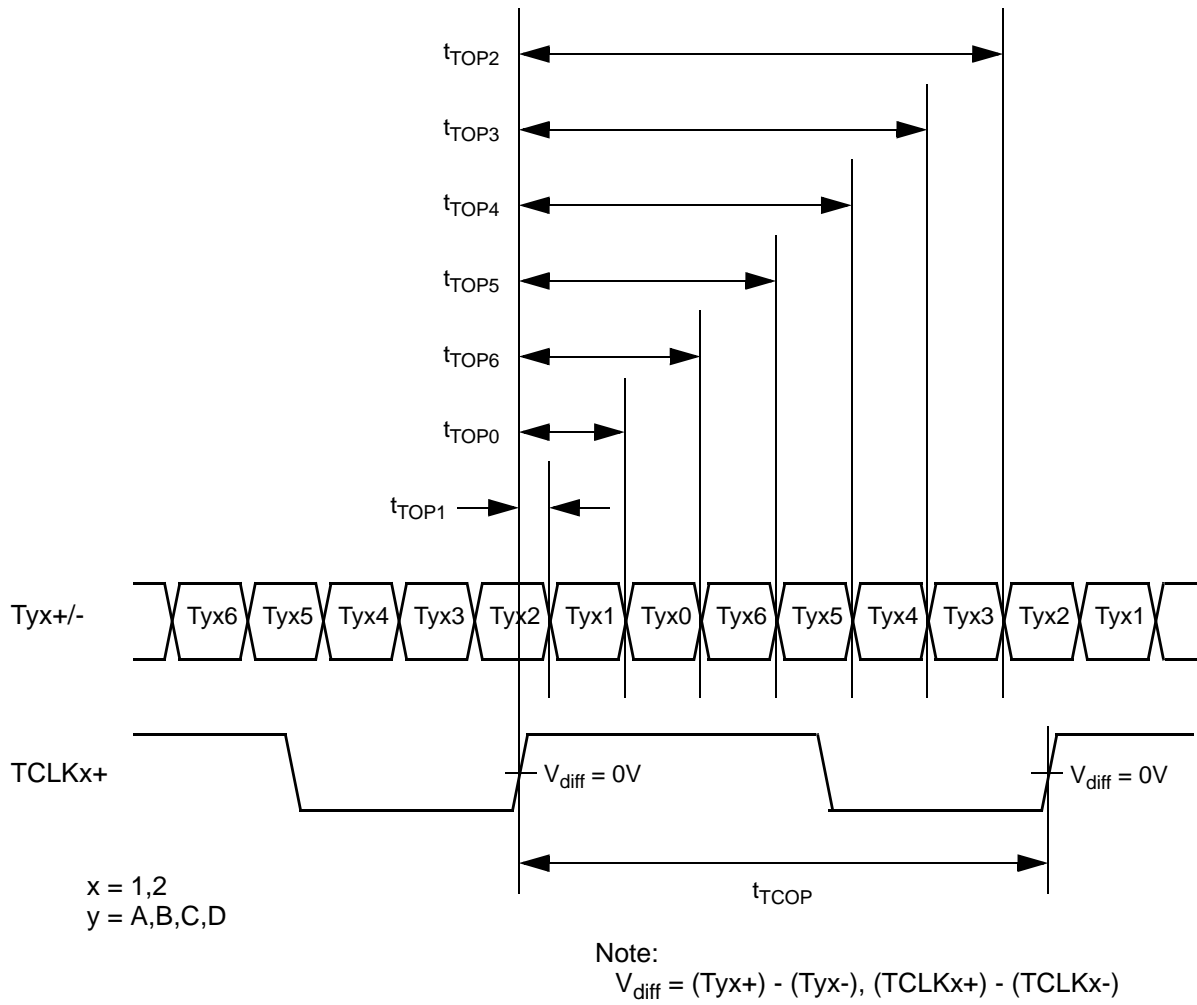


Fig6. LVDS Output Data Position

Single-In / Dual-Out Mode (MODE = L)

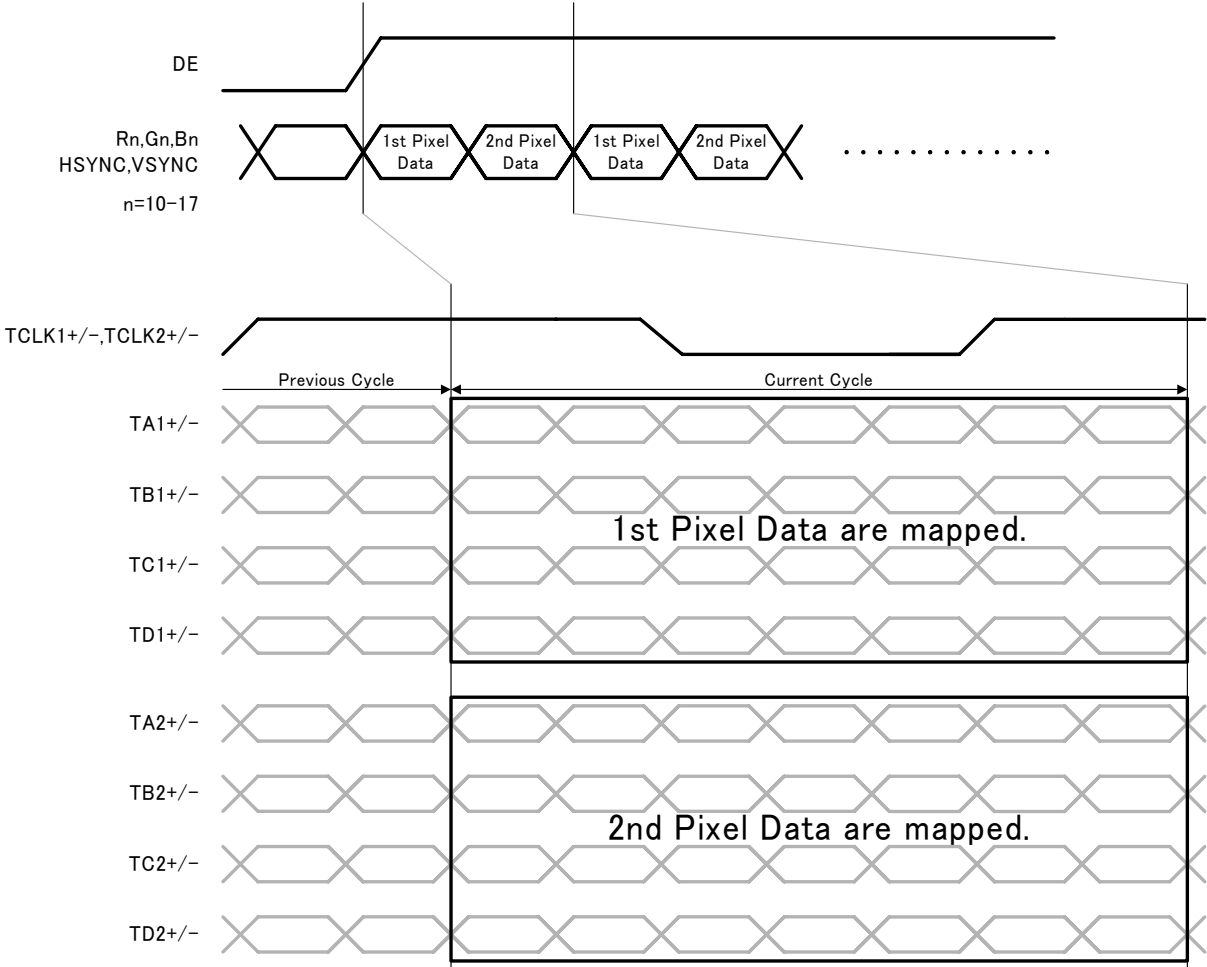


Fig7. Single-In / Dual-Out Mode (MODE=L)

Single-In / Single-Out Mode (MODE=H)

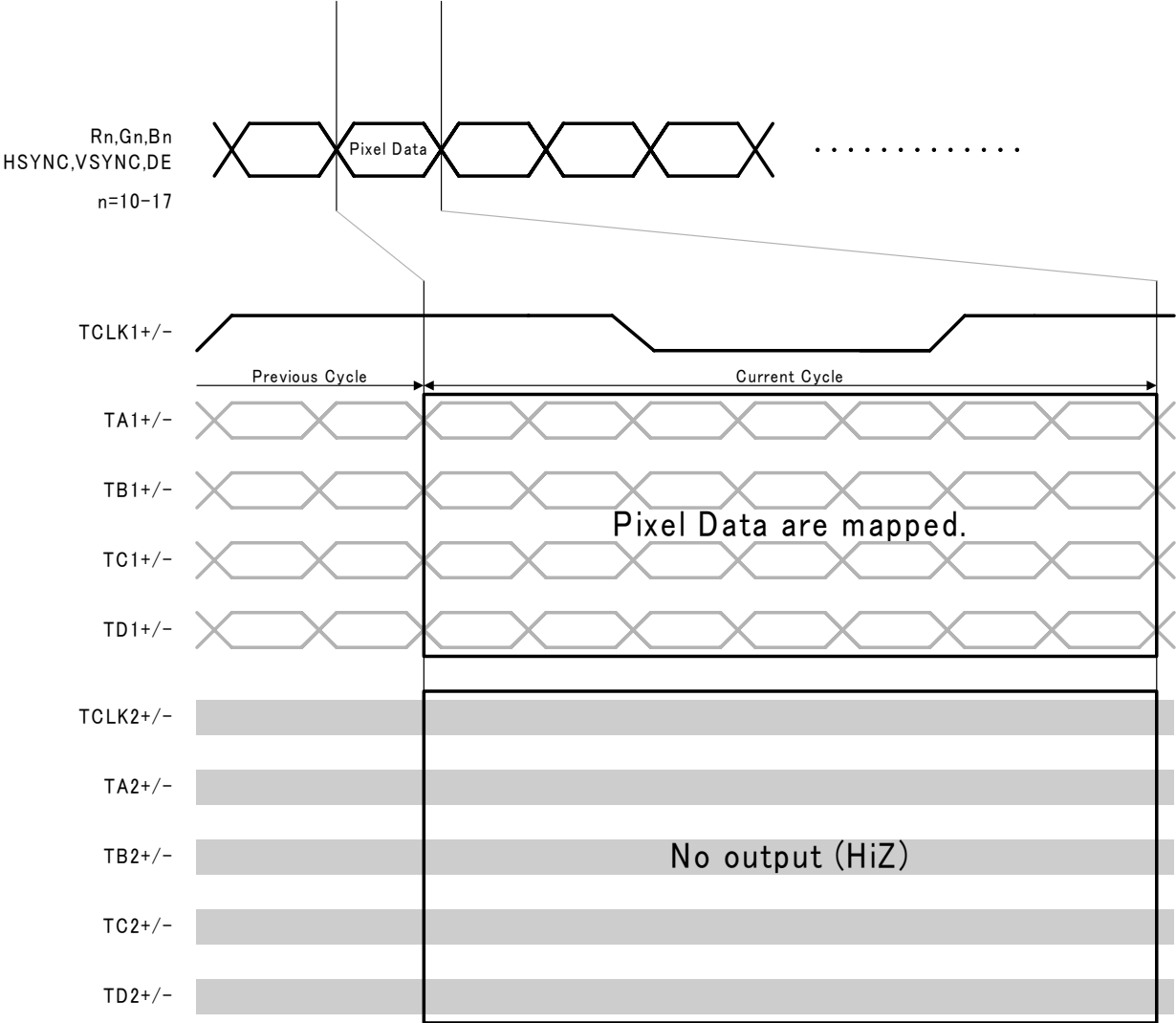
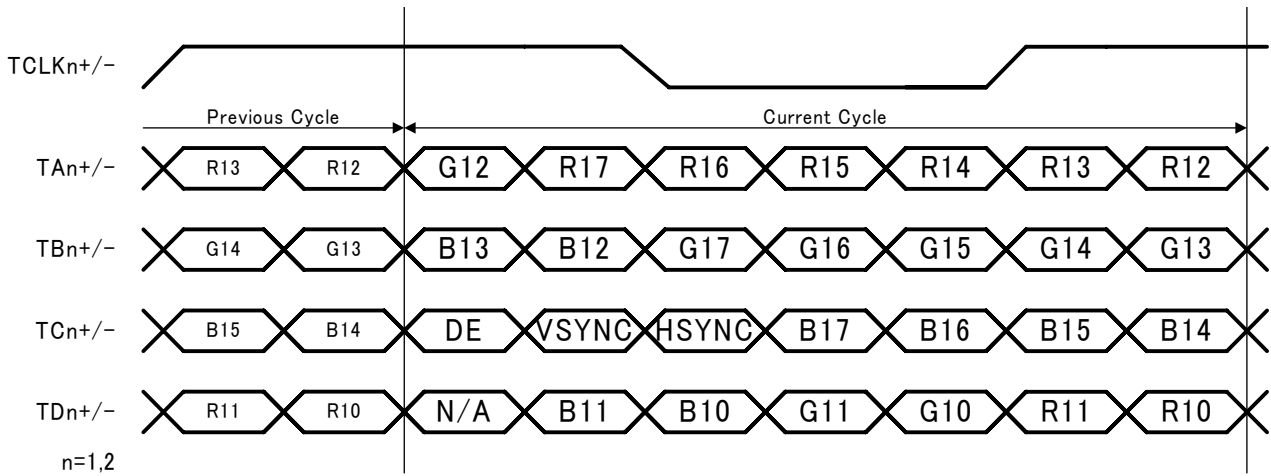
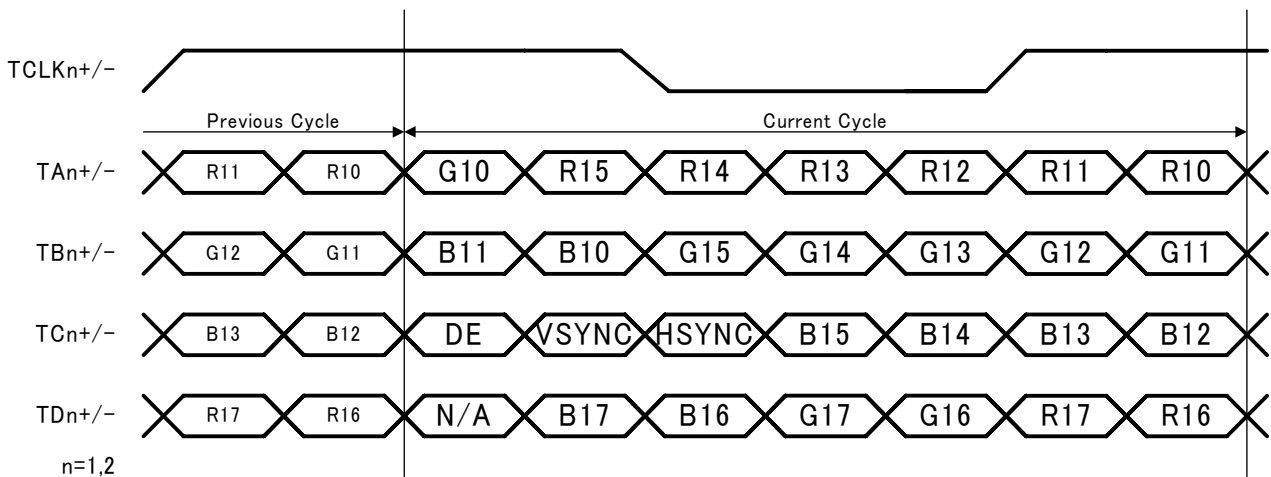


Fig8. Single-In / Single-Out Mode (MODE=H)

LVDS Data Mapping for 8 bit mode (6B/8B=L)



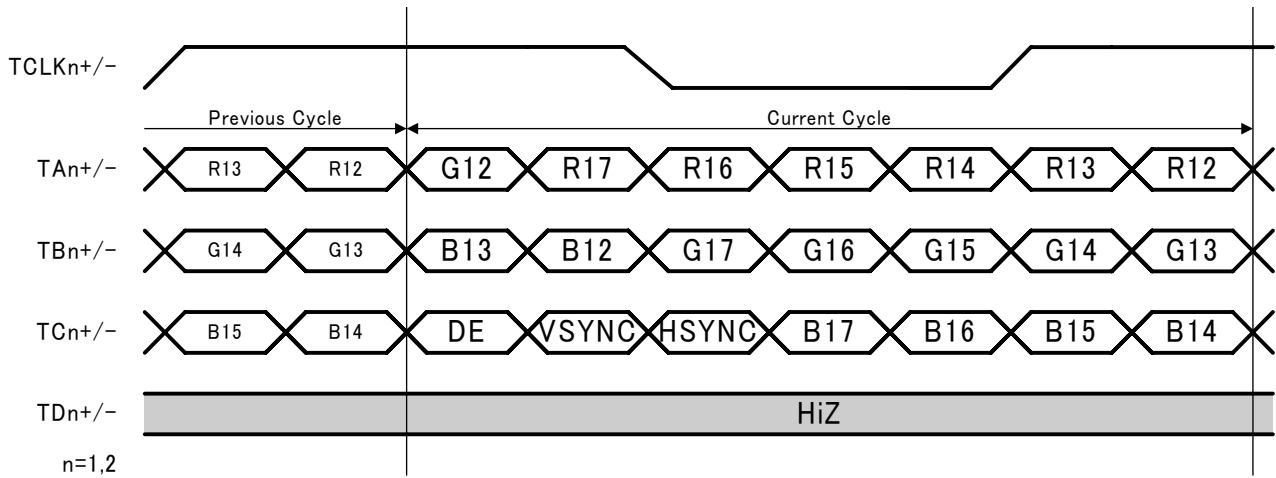
(a) LVDS Data Mapping when MAP = H (Mapping Mode 1)



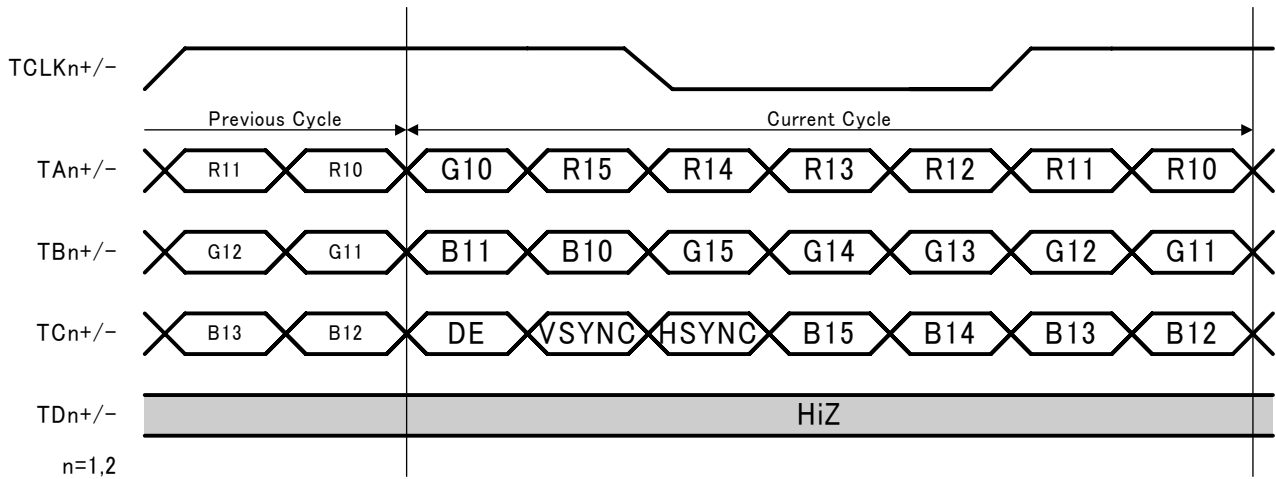
(b) LVDS Data Mapping when MAP = L (Mapping Mode 2)

Fig9. LVDS Data Mapping for 8 bit mode (6B/8B=L)

LVDS Data Mapping for 6 bit mode (6B/8B=H)



(a) LVDS Data Mapping when MAP = H (Mapping Mode 1)



(b) LVDS Data Mapping when MAP = L (Mapping Mode 2)

Fig10. LVDS Data Mapping for 6 bit mode (6B/8B=H)

Note: Input pins which are not used in 6 bit mode (R10-11, G10-11, B10-11 on Mapping Mode 1, R16-17, G16-17, B16-17 on Mapping Mode 2) can be H, L, or Open.

Note

1)Cable Connection and Disconnection

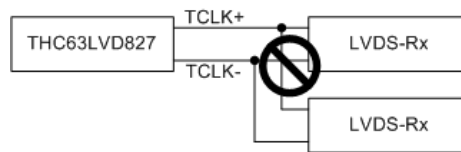
Don't connect and disconnect the LVDS cable, when the power is supplied to the system.

2)GND Connection

Connect the each GND of the PCB which THC63LVD827 and LVDS-Rx on it. It is better for EMI reduction to place GND cable as close to LVDS cable as possible.

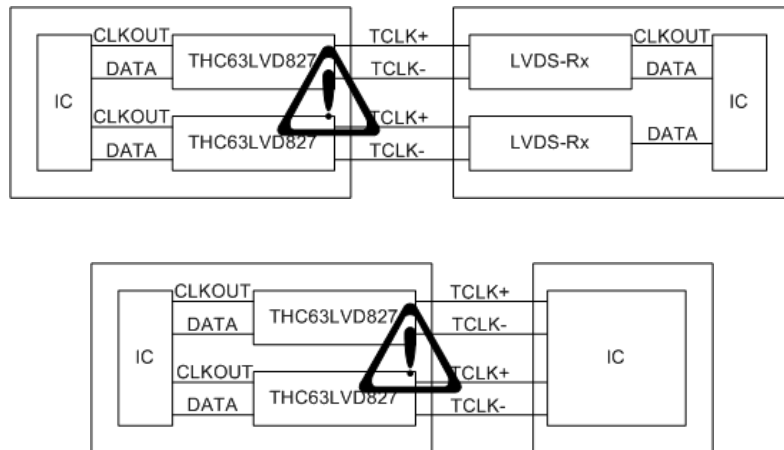
3)Multi Drop Connection

Multi drop connection is not recommended.



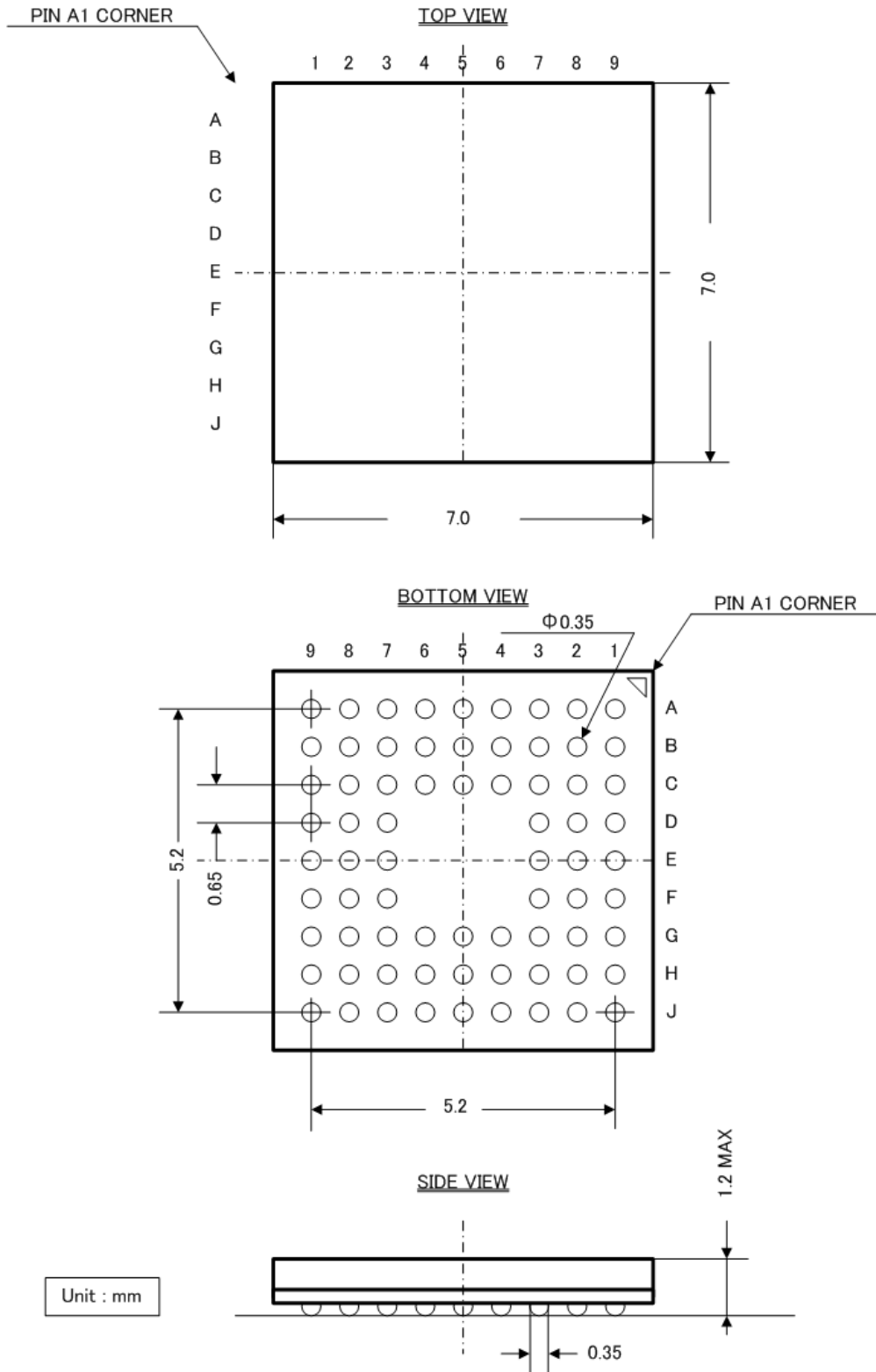
4)Asynchronous use

Asynchronous use such as following systems are not recommended.



Package

TFBGA



Notices and Requests

- 1.)The product specifications described in this material are subject to change without prior notice.
- 2.)The circuit diagrams described in this material are examples of the application which may not always apply to the customer's design. We are not responsible for possible errors and omissions in this material. Please note if errors or omissions should be found in this material, we may not be able to correct them immediately.
- 3.)This material contains our copyright, know-how or other proprietary. Copying or disclosing to third parties the contents of this material without our prior permission is prohibited.
- 4.)Note that if infringement of any third party's industrial ownership should occur by using this product, we will be exempted from the responsibility unless it directly relates to the production process or functions of the product.
- 5.)This product is presumed to be used for general electric equipment, not for the applications which require very high reliability (including medical equipment directly concerning people's life, aerospace equipment, or nuclear control equipment). Also, when using this product for the equipment concerned with the control and safety of the transportation means, the traffic signal equipment, or various Types of safety equipment, please do it after applying appropriate measures to the product.
- 6.)Despite our utmost efforts to improve the quality and reliability of the product, faults will occur with a certain small probability, which is inevitable to a semi-conductor product. Therefore, you are encouraged to have sufficiently redundant or error preventive design applied to the use of the product so as not to have our product cause any social or public damage.
- 7.)Please note that this product is not designed to be radiation-proof.
- 8.)Customers are asked, if required, to judge by themselves if this product falls under the category of strategic goods under the Foreign Exchange and Foreign Trade Control Law.

THine Electronics, Inc.
E-mail: sales@thine.co.jp

Mouser Electronics

Authorized Distributor

Click to View Pricing, Inventory, Delivery & Lifecycle Information:

[CEL:](#)

[THC63LVD827-B](#) [THC63LVD827-Q](#) [THC63LVD827-Q-B](#) [THC63LVD827](#)

Данный компонент на территории Российской Федерации

Вы можете приобрести в компании MosChip.

Для оперативного оформления запроса Вам необходимо перейти по данной ссылке:

<http://moschip.ru/get-element>

Вы можете разместить у нас заказ для любого Вашего проекта, будь то серийное производство или разработка единичного прибора.

В нашем ассортименте представлены ведущие мировые производители активных и пассивных электронных компонентов.

Нашей специализацией является поставка электронной компонентной базы двойного назначения, продукции таких производителей как XILINX, Intel (ex.ALTERA), Vicor, Microchip, Texas Instruments, Analog Devices, Mini-Circuits, Amphenol, Glenair.

Сотрудничество с глобальными дистрибьюторами электронных компонентов, предоставляет возможность заказывать и получать с международных складов практически любой перечень компонентов в оптимальные для Вас сроки.

На всех этапах разработки и производства наши партнеры могут получить квалифицированную поддержку опытных инженеров.

Система менеджмента качества компании отвечает требованиям в соответствии с ГОСТ Р ИСО 9001, ГОСТ РВ 0015-002 и ЭС РД 009

Офис по работе с юридическими лицами:

105318, г.Москва, ул.Щербаковская д.3, офис 1107, 1118, ДЦ «Щербаковский»

Телефон: +7 495 668-12-70 (многоканальный)

Факс: +7 495 668-12-70 (доб.304)

E-mail: info@moschip.ru

Skype отдела продаж:

moschip.ru

moschip.ru_4

moschip.ru_6

moschip.ru_9