

64K x 32, 64K x 36 SYNCHRONOUS PIPELINED STATIC RAM

SEPTEMBER 2005

FEATURES

- Internal self-timed write cycle
- Individual Byte Write Control and Global Write
- Clock controlled, registered address, data and control
- Pentium™ or linear burst sequence control using MODE input
- Three chip enables for simple depth expansion and address pipelining
- Common data inputs and data outputs
- JEDEC 100-Pin TQFP package
- Power-down snooze mode
- Power Supply:
 - +3.3V V_{DD}
 - +3.3V or 2.5V V_{DDQ} (I/O)
- Lead-free available

DESCRIPTION

The *ISSI* IS61LP6432A/36A is a high-speed synchronous static RAM designed to provide a burstable, high-performance memory for high speed networking and communication applications. The IS61LP6432A is organized as 64K words by 32 bits and the IS61LP6436A is organized as 64K words by 36 bits. Fabricated with *ISSI*'s advanced CMOS technology, the device integrates a 2-bit burst counter, high-speed SRAM core, and high-drive capability outputs into a single monolithic circuit. All synchronous inputs pass through registers controlled by a positive-edge-triggered single clock input.

Write cycles are internally self-timed and are initiated by the rising edge of the clock input. Write cycles can be from one to four bytes wide as controlled by the write control inputs.

Separate byte enables allow individual bytes to be written. $\overline{BW1}$ controls DQa, $\overline{BW2}$ controls DQb, $\overline{BW3}$ controls DQc, $\overline{BW4}$ controls DQd, conditioned by \overline{BWE} being LOW. A LOW on \overline{GW} input would cause all bytes to be written.

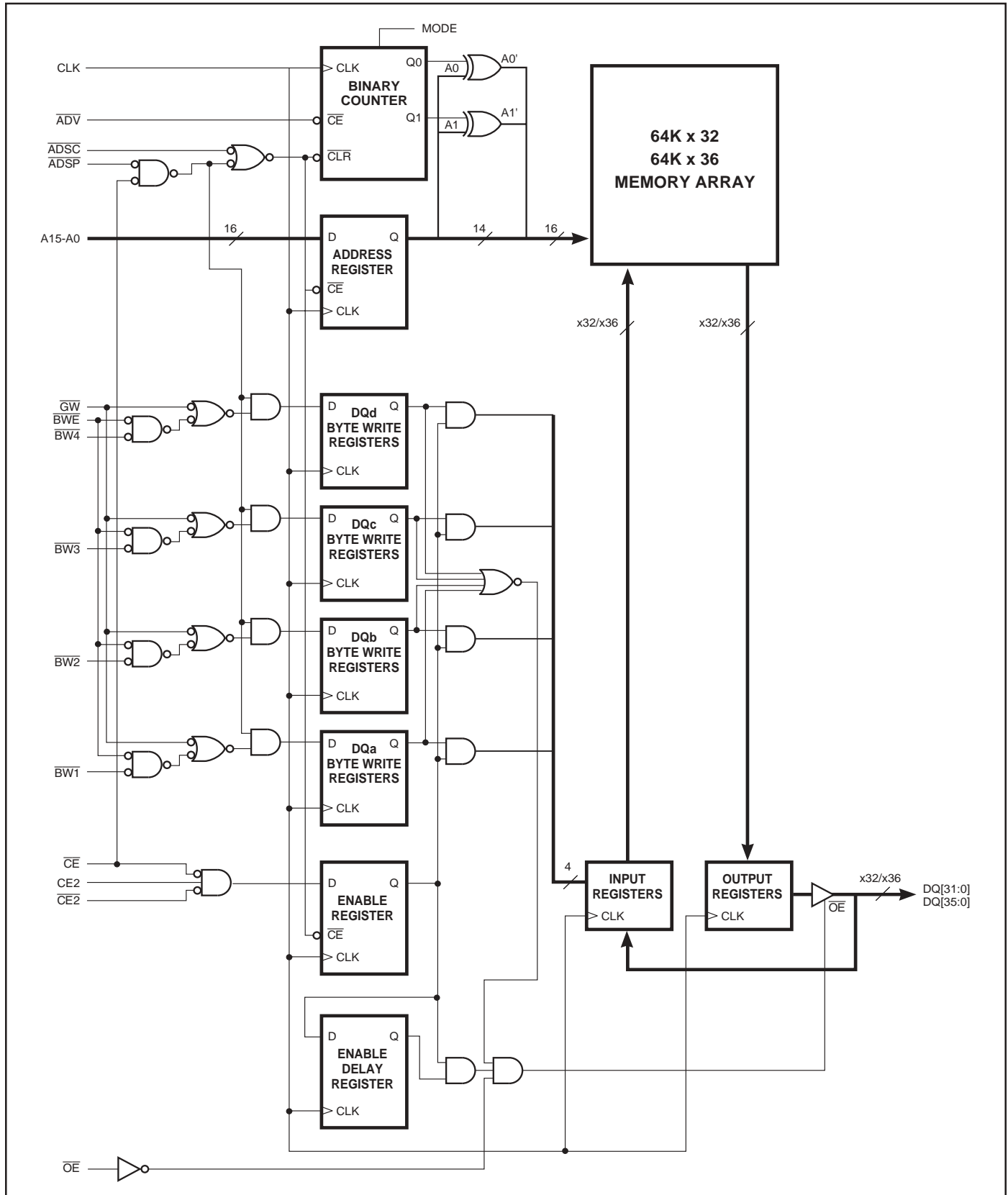
Bursts can be initiated with either \overline{ADSP} (Address Status Processor) or \overline{ADSC} (Address Status Cache Controller) input pins. Subsequent burst addresses can be generated internally and controlled by the \overline{ADV} (burst address advance) input pin.

The mode pin is used to select the burst sequence order, Linear burst is achieved when this pin is tied LOW. Interleave burst is achieved when this pin is tied HIGH or left floating.

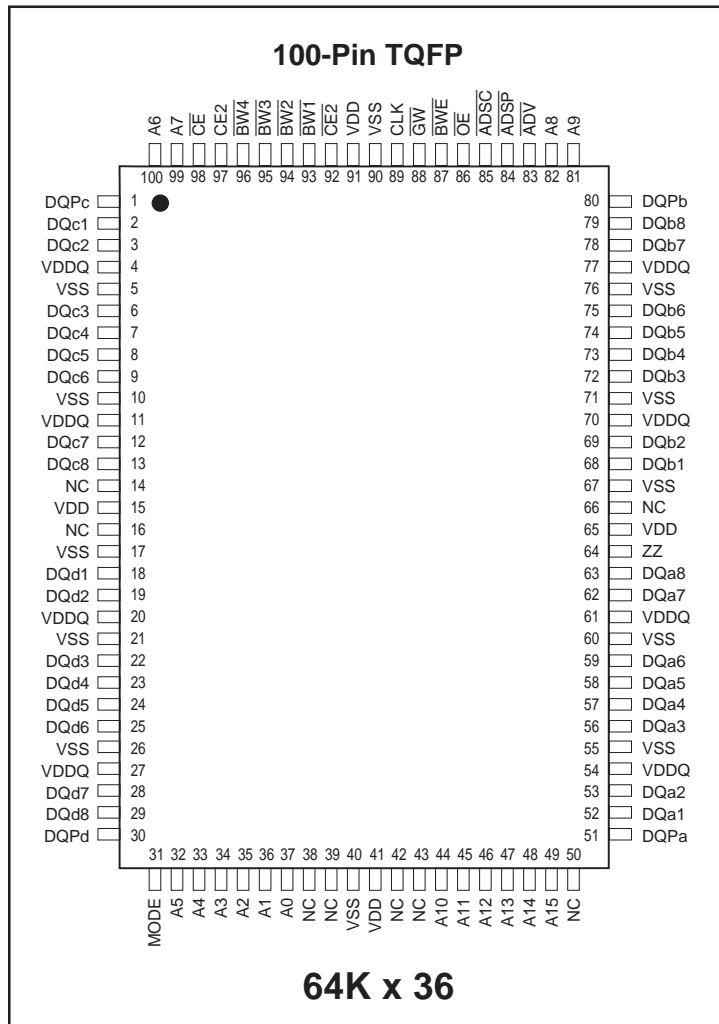
FAST ACCESS TIME

| Symbol | Parameter | -166 | -133 | Units |
|-----------------|-------------------|------|------|-------|
| t _{KQ} | Clock Access Time | 3.5 | 4 | ns |
| t _{KC} | Cycle Time | 6 | 7.5 | ns |
| | Frequency | 166 | 133 | MHz |

BLOCK DIAGRAM



PIN CONFIGURATION



PIN DESCRIPTIONS

| | |
|---------|---|
| A0, A1 | Synchronous Address Inputs. These pins must be tied to the two LSBs of the address bus. |
| A2-A15 | Synchronous Address Inputs |
| CLK | Synchronous Clock |
| ADSP | Synchronous Processor Address Status |
| ADSC | Synchronous Controller Address Status |
| ADV | Synchronous Burst Address Advance |
| BW1-BW4 | Individual Byte Write Enable |
| BWE | Synchronous Byte Write Enable |

| | |
|--------------|---|
| GW | Synchronous Global Write Enable |
| CE, CE2, CE2 | Synchronous Chip Enable |
| OE | Output Enable |
| DQa-DQd | Synchronous Data Input/Output |
| MODE | Burst Sequence Mode Selection |
| VDD | +3.3V Power Supply |
| VSS | Ground |
| VDDQ | Isolated Output Buffer Supply: +3.3V/2.5V |
| ZZ | Snooze Enable |
| DQPd-DQPd | Parity Data I/O |

PIN CONFIGURATION



PIN DESCRIPTIONS

| | |
|---------|--|
| A0, A1 | Synchronous Address Inputs. These pins must tied to the two LSBs of the address bus. |
| A2-A15 | Synchronous Address Inputs |
| CLK | Synchronous Clock |
| ADSP | Synchronous Processor Address Status |
| ADSC | Synchronous Controller Address Status |
| ADV | Synchronous Burst Address Advance |
| BW1-BW4 | Individual Byte Write Enable |
| BWE | Synchronous Byte Write Enable |

| | |
|--------------|---|
| GW | Synchronous Global Write Enable |
| CE, CE2, CE2 | Synchronous Chip Enable |
| OE | Output Enable |
| DQa-DQd | Synchronous Data Input/Output |
| MODE | Burst Sequence Mode Selection |
| VDD | +3.3V Power Supply |
| VSS | Ground |
| VDDQ | Isolated Output Buffer Supply: +3.3V/2.5V |
| ZZ | Snooze Enable |

TRUTH TABLE

| Operation | Address Used | \overline{OE} | CE2 | $\overline{CE2}$ | \overline{ADSP} | \overline{ADSC} | \overline{ADV} | WRITE | \overline{OE} | DQ |
|-----------------------------|--------------|-----------------|-----|------------------|-------------------|-------------------|------------------|-------|-----------------|--------|
| Deselected, Power-down | None | H | X | X | X | L | X | X | X | High-Z |
| Deselected, Power-down | None | L | X | H | L | X | X | X | X | High-Z |
| Deselected, Power-down | None | L | L | X | L | X | X | X | X | High-Z |
| Deselected, Power-down | None | X | X | H | H | L | X | X | X | High-Z |
| Deselected, Power-down | None | X | L | X | H | L | X | X | X | High-Z |
| Read Cycle, Begin Burst | External | L | H | L | L | X | X | X | X | Q |
| Read Cycle, Begin Burst | External | L | H | L | H | L | X | Read | X | Q |
| Write Cycle, Begin Burst | External | L | H | L | H | L | X | Write | X | D |
| Read Cycle, Continue Burst | Next | X | X | X | H | H | L | Read | L | Q |
| Read Cycle, Continue Burst | Next | X | X | X | H | H | L | Read | H | High-Z |
| Read Cycle, Continue Burst | Next | H | X | X | X | H | L | Read | L | Q |
| Read Cycle, Continue Burst | Next | H | X | X | X | H | L | Read | H | High-Z |
| Write Cycle, Continue Burst | Next | X | X | X | H | H | L | Write | X | D |
| Write Cycle, Continue Burst | Next | H | X | X | X | H | L | Write | X | D |
| Read Cycle, Suspend Burst | Current | X | X | X | H | H | H | Read | L | Q |
| Read Cycle, Suspend Burst | Current | X | X | X | H | H | H | Read | H | High-Z |
| Read Cycle, Suspend Burst | Current | H | X | X | X | H | H | Read | L | Q |
| Read Cycle, Suspend Burst | Current | H | X | X | X | H | H | Read | H | High-Z |
| Write Cycle, Suspend Burst | Current | X | X | X | H | H | H | Write | X | D |
| Write Cycle, Suspend Burst | Current | H | X | X | X | H | H | Write | X | D |

PARTIAL TRUTH TABLE

| Function | \overline{GW} | BWE | BW1 | BW2 | BW3 | BW4 |
|-----------------|-----------------|-----|-----|-----|-----|-----|
| Read | H | H | X | X | X | X |
| Read | H | L | H | H | H | H |
| Write Byte 1 | H | L | L | H | H | H |
| Write All Bytes | H | L | L | L | L | L |
| Write All Bytes | L | X | X | X | X | X |

INTERLEAVED BURST ADDRESS TABLE (MODE = V_{DD} or No Connect)

| External Address A1 A0 | 1st Burst Address A1 A0 | 2nd Burst Address A1 A0 | 3rd Burst Address A1 A0 |
|---------------------------|----------------------------|----------------------------|----------------------------|
| 00 | 01 | 10 | 11 |
| 01 | 00 | 11 | 10 |
| 10 | 11 | 00 | 01 |
| 11 | 10 | 01 | 00 |

LINEAR BURST ADDRESS TABLE (MODE = V_{SS})



ABSOLUTE MAXIMUM RATINGS⁽¹⁾

| Symbol | Parameter | Value | Unit |
|------------------------------------|--|--------------------------------|------|
| T _{STG} | Storage Temperature | -55 to +150 | °C |
| P _D | Power Dissipation | 1.6 | W |
| I _{OUT} | Output Current (per I/O) | 100 | mA |
| V _{IN} , V _{OUT} | Voltage Relative to V _{SS} for I/O Pins | -0.5 to V _{DDQ} + 0.3 | V |
| V _{IN} | Voltage Relative to V _{SS} for Address and Control Inputs | -0.5 to V _{DD} + 0.5 | V |
| V _{DD} | Voltage on V _{DD} Supply Relative to V _{SS} | -0.5 to 4.6 | V |

Notes:

1. Stress greater than those listed under ABSOLUTE MAXIMUM RATINGS may cause permanent damage to the device. This is a stress rating only and functional operation of the device at these or any other conditions above those indicated in the operational sections of this specification is not implied. Exposure to absolute maximum rating conditions for extended periods may affect reliability.
2. This device contains circuitry to protect the inputs against damage due to high static voltages or electric fields; however, precautions may be taken to avoid application of any voltage higher than maximum rated voltages to this high-impedance circuit.
3. This device contains circuitry that will ensure the output devices are in High-Z at power up.

OPERATING RANGE

| Range | Ambient Temperature | V _{DD} | V _{DDQ} |
|------------|---------------------|-----------------|------------------|
| Commercial | 0°C to +70°C | 3.3V ± 5% | 3.3V ± 5% |
| | | | 2.5V ± 5% |
| Industrial | -40°C to +85°C | 3.3V ± 5% | 3.3V ± 5% |
| | | | 2.5V ± 5% |

DC ELECTRICAL CHARACTERISTICS (Over Operating Range)

| Symbol | Parameter | Test Conditions | 2.5V (I/O) | | 3.3V (I/O) | | Unit |
|-----------------|------------------------|---|------------|-----------------------|------------|-----------------------|------|
| | | | Min. | Max. | Min. | Max. | |
| V _{OH} | Output HIGH Voltage | I _{OH} = -4.0 mA (3.3V) I _{OH} = 1.0 mA (2.5V) | 2.0 | — | 2.4 | — | V |
| V _{OL} | Output LOW Voltage | I _{OL} = 8.0 mA (3.3V) I _{OL} = 1.0 mA (2.5V) | — | 0.4 | — | 0.4 | V |
| V _{IH} | Input HIGH Voltage | | 1.7 | V _{DD} + 0.3 | 2.0 | V _{DD} + 0.3 | V |
| V _{IL} | Input LOW Voltage | | -0.3 | 0.7 | -0.3 | 0.8 | V |
| I _{LI} | Input Leakage Current | V _{SS} ≤ V _{IN} ≤ V _{DD} ⁽¹⁾ | -5 | 5 | -5 | 5 | μA |
| I _{LO} | Output Leakage Current | V _{SS} ≤ V _{OUT} ≤ V _{DDQ} , $\overline{OE} = V_I$ | -5 | 5 | -5 | 5 | μA |

POWER SUPPLY CHARACTERISTICS (Over Operating Range)

| Symbol | Parameter | Test Conditions | | | Unit | |
|------------------|--------------------------------|---|--------------|--------------|------|----|
| | | | -166 Max. | -133 Max. | | |
| I _{CC} | AC Operating Supply Current | Device Selected, All Inputs = V _{IL} or V _{IH} $\overline{OE} = V_{IH}$, V _{DD} = Max. Cycle Time ≥ t _{CK} min. | Com. | 190 | 180 | mA |
| | | | Ind. | 200 | 190 | mA |
| I _{SB1} | Standby Current | Device Deselected, V _{DD} = Max., All Inputs = V _{IH} or V _{IL} CLK Cycle Time ≥ t _{CK} min. | Com. | 70 | 70 | mA |
| | | | Ind. | 80 | 80 | mA |
| I _{ZZ} | Power-down Mode Current | ZZ = V _{DD} Clock Running All Inputs ≤ V _{SS} + 0.2V or ≥ V _{DD} - 0.2V | Com. | 35 | 35 | mA |
| | | | Ind. | 40 | 40 | mA |

Notes:

1. The MODE pin has an internal pullup. This pin may be a No Connect, tied to V_{SS}, or tied to V_{DD}.
2. The MODE pin should be tied to V_{DD} or V_{SS}. It exhibits ±10 μA maximum leakage current when tied to ≤ V_{SS} + 0.2V or ≥ V_{DD} - 0.2V.

CAPACITANCE^(1,2)

| Symbol | Parameter | Conditions | Max. | Unit |
|------------------|--------------------------|-----------------------|------|------|
| C _{IN} | Input Capacitance | V _{IN} = 0V | 6 | pF |
| C _{OUT} | Input/Output Capacitance | V _{OUT} = 0V | 8 | pF |

Notes:

1. Tested initially and after any design or process changes that may affect these parameters.
2. Test conditions: T_A = 25°C, f = 1 MHz, V_{DD} = 3.3V.

3.3V I/O AC TEST CONDITIONS

| Parameter | Unit |
|---|---------------------|
| Input Pulse Level | 0V to 3.0V |
| Input Rise and Fall Times | 1ns |
| Input and Output Timing and Reference Level | 1.5V |
| Output Load | See Figures 1 and 2 |

3.3V I/O OUTPUT LOAD EQUIVALENT



Figure 1



Figure 2

2.5V I/O AC TEST CONDITIONS

| Parameter | Unit |
|---|---------------------|
| Input Pulse Level | 0V to 2.5V |
| Input Rise and Fall Times | 1 ns |
| Input and Output Timing and Reference Level | 1.25V |
| Output Load | See Figures 3 and 4 |

2.5V I/O OUTPUT LOAD EQUIVALENT

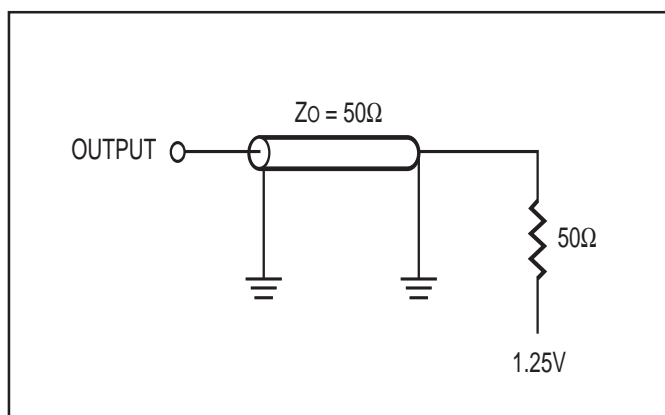


Figure 3

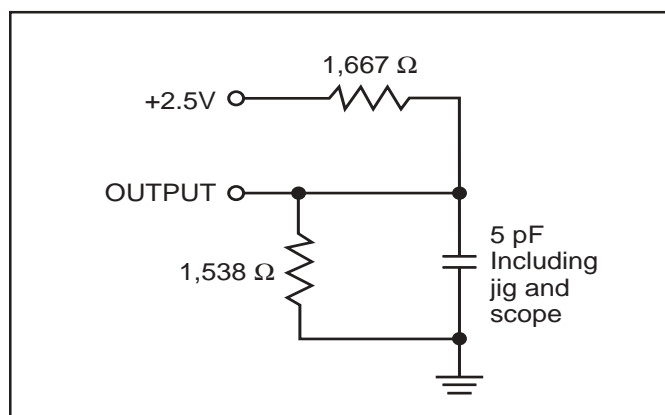


Figure 4

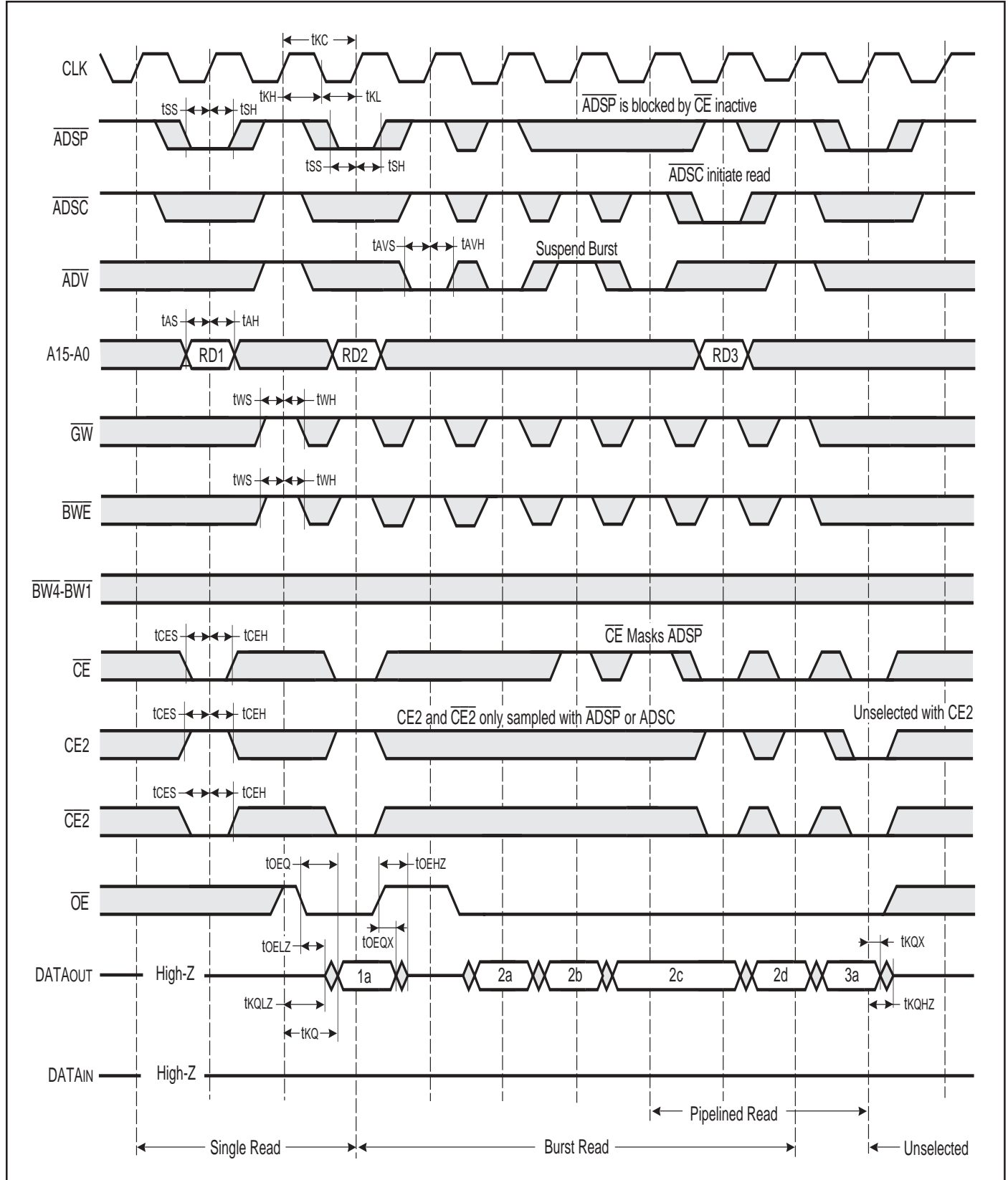
READ/WRITE CYCLE SWITCHING CHARACTERISTICS (Over Operating Range)

| Symbol | Parameter | -166 | | -133 | | Unit |
|------------------------------------|----------------------------------|------|------|------|------|------|
| | | Min. | Max. | Min. | Max. | |
| f _{MAX} ⁽³⁾ | Clock Frequency | — | 166 | — | 133 | MHz |
| t _{κC} ⁽³⁾ | Cycle Time | 6 | — | 7.5 | — | ns |
| t _{κH} | Clock High Time | 2.4 | — | 2.8 | — | ns |
| t _{κL} ⁽³⁾ | Clock Low Time | 2.4 | — | 2.8 | — | ns |
| t _{κQ} ⁽³⁾ | Clock Access Time | — | 3.5 | — | 4 | ns |
| t _{κQX} ⁽¹⁾ | Clock High to Output Invalid | 3 | — | 3 | — | ns |
| t _{κQLZ} ^(1,2) | Clock High to Output Low-Z | 0 | — | 0 | — | ns |
| t _{κQHZ} ^(1,2) | Clock High to Output High-Z | 1.5 | 3.5 | 1.5 | 3.5 | ns |
| t _{OEQ} ⁽³⁾ | Output Enable to Output Valid | — | 3.5 | — | 3.8 | ns |
| t _{OEQX} ⁽¹⁾ | Output Disable to Output Invalid | 0 | — | 0 | — | ns |
| t _{OEZ} ^(1,2) | Output Enable to Output Low-Z | 0 | — | 0 | — | ns |
| t _{OEHZ} ^(1,2) | Output Disable to Output High-Z | 2 | 4.5 | 2 | 5 | ns |
| t _{AS} ⁽³⁾ | Address Setup Time | 2.1 | — | 2.1 | — | ns |
| t _{SS} ⁽³⁾ | Address Status Setup Time | 1.5 | — | 1.5 | — | ns |
| t _{WS} ⁽³⁾ | Write Setup Time | 1.5 | — | 1.5 | — | ns |
| t _{CES} ⁽³⁾ | Chip Enable Setup Time | 1.5 | — | 1.5 | — | ns |
| t _{AVS} ⁽³⁾ | Address Advance Setup Time | 1.5 | — | 1.5 | — | ns |
| t _{AH} ⁽³⁾ | Address Hold Time | 1.0 | — | 1.0 | — | ns |
| t _{SH} ⁽³⁾ | Address Status Hold Time | 0.5 | — | 0.5 | — | ns |
| t _{WH} ⁽³⁾ | Write Hold Time | 0.5 | — | 0.5 | — | ns |
| t _{CEH} ⁽³⁾ | Chip Enable Hold Time | 0.5 | — | 0.5 | — | ns |
| t _{AVH} ⁽³⁾ | Address Advance Hold Time | 0.5 | — | 0.5 | — | ns |

Note:

1. Guaranteed but not 100% tested. This parameter is periodically sampled.
2. Tested with load in Figure 2.
3. Tested with load in Figure 1.

READ/WRITE CYCLE TIMING



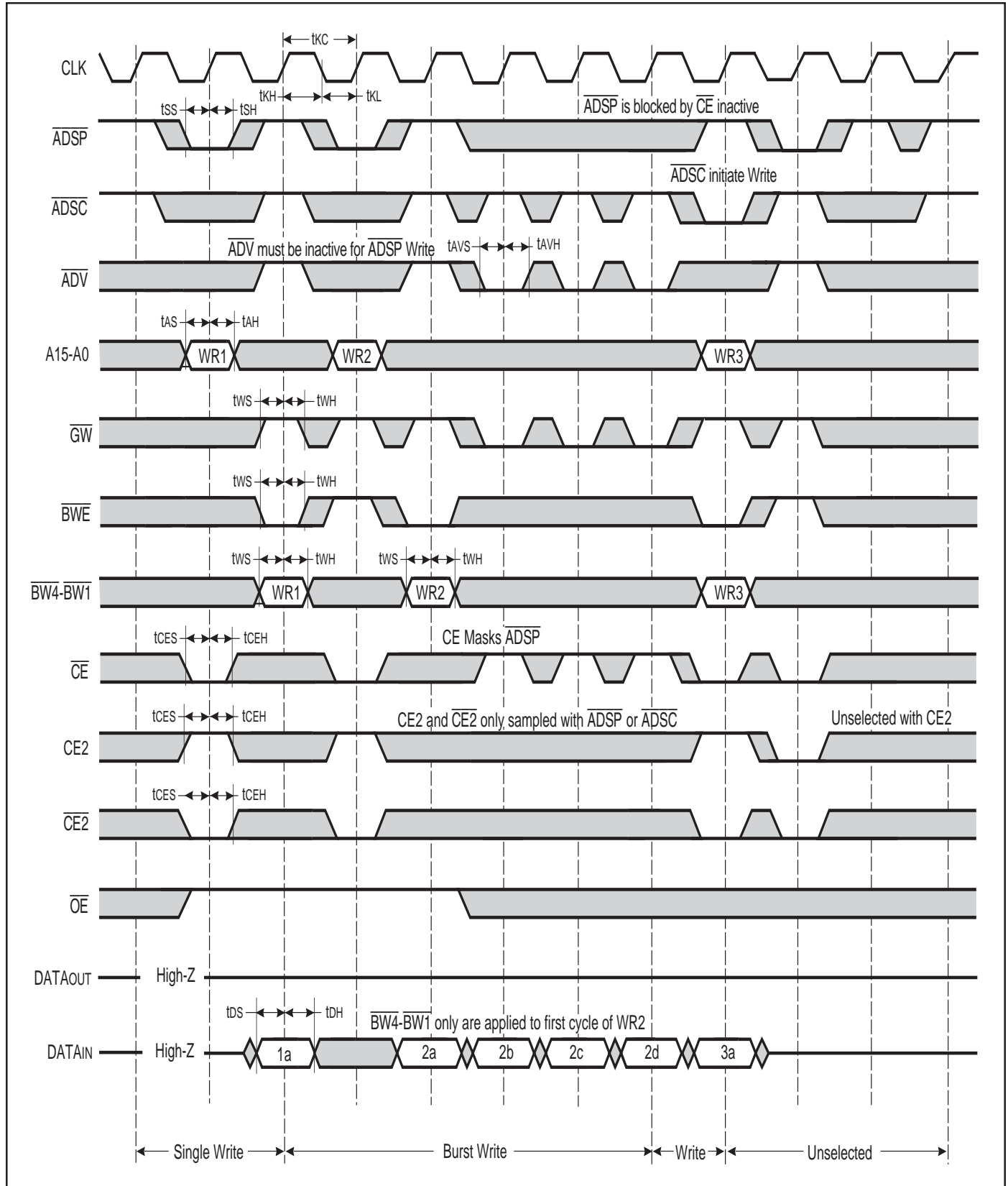
WRITE CYCLE SWITCHING CHARACTERISTICS (Over Operating Range)

| Symbol | Parameter | -166 | | -133 | | Unit |
|---------------------------------|----------------------------|------|------|------|------|------|
| | | Min. | Max. | Min. | Max. | |
| t _{CC} ⁽¹⁾ | Cycle Time | 6 | — | 7.5 | — | ns |
| t _{KH} ⁽¹⁾ | Clock High Time | 2.4 | — | 2.8 | — | ns |
| t _{KL} ⁽¹⁾ | Clock Low Time | 2.4 | — | 2.8 | — | ns |
| t _{AS} ⁽¹⁾ | Address Setup Time | 2.1 | — | 2.1 | — | ns |
| t _{SS} ⁽¹⁾ | Address Status Setup Time | 1.5 | — | 1.5 | — | ns |
| t _{WS} ⁽¹⁾ | Write Setup Time | 1.5 | — | 1.5 | — | ns |
| t _{DS} ⁽¹⁾ | Data In Setup Time | 1.5 | — | 1.5 | — | ns |
| t _{CES} ⁽¹⁾ | Chip Enable Setup Time | 1.5 | — | 1.5 | — | ns |
| t _{AVS} ⁽¹⁾ | Address Advance Setup Time | 1.5 | — | 1.5 | — | ns |
| t _{AH} ⁽¹⁾ | Address Hold Time | 1.0 | — | 1.0 | — | ns |
| t _{SH} ⁽¹⁾ | Address Status Hold Time | 0.5 | — | 0.5 | — | ns |
| t _{DH} ⁽¹⁾ | Data In Hold Time | 1.0 | — | 1.0 | — | ns |
| t _{WH} ⁽¹⁾ | Write Hold Time | 0.5 | — | 0.5 | — | ns |
| t _{CEH} ⁽¹⁾ | Chip Enable Hold Time | 0.5 | — | 0.5 | — | ns |
| t _{AVH} ⁽¹⁾ | Address Advance Hold Time | 0.5 | — | 0.5 | — | ns |

Note:

1. Tested with load in Figure 1.

WRITE CYCLE TIMING



SNOOZE AND RECOVERY CYCLE SWITCHING CHARACTERISTICS (Over Operating Range)

| Symbol | Parameter | -166 | | -133 | | Unit |
|------------------------|----------------------------------|------|------|------|------|------|
| | | Min. | Max. | Min. | Max. | |
| tkC ⁽³⁾ | Cycle Time | 6 | — | 7.5 | — | ns |
| tkH ⁽³⁾ | Clock High Time | 2.4 | — | 2.8 | — | ns |
| tkL ⁽³⁾ | Clock Low Time | 2.4 | — | 2.8 | — | ns |
| tkQ ⁽³⁾ | Clock Access Time | — | 3.5 | — | 4 | ns |
| tkQX ⁽¹⁾ | Clock High to Output Invalid | 1.5 | — | 1.5 | — | ns |
| tkQLZ ^(1,2) | Clock High to Output Low-Z | 0 | — | 0 | — | ns |
| tkQHZ ^(1,2) | Clock High to Output High-Z | 1.5 | 3.5 | 1.5 | 3.5 | ns |
| toEQ ⁽³⁾ | Output Enable to Output Valid | — | 3.5 | — | 3.9 | ns |
| toEQX ⁽¹⁾ | Output Disable to Output Invalid | 0 | — | 0 | — | ns |
| toELZ ^(1,2) | Output Enable to Output Low-Z | 0 | — | 0 | — | ns |
| toEHZ ^(1,2) | Output Disable to Output High-Z | 2 | 4.5 | 2 | 5.0 | ns |
| tAS ⁽³⁾ | Address Setup Time | 2.1 | — | 2.1 | — | ns |
| tSS ⁽³⁾ | Address Status Setup Time | 1.5 | — | 1.5 | — | ns |
| tCES ⁽³⁾ | Chip Enable Setup Time | 1.5 | — | 1.5 | — | ns |
| tAH ⁽³⁾ | Address Hold Time | 1.0 | — | 1.0 | — | ns |
| tSH ⁽³⁾ | Address Status Hold Time | 0.5 | — | 0.5 | — | ns |
| tCEH ⁽³⁾ | Chip Enable Hold Time | 0.5 | — | 0.5 | — | ns |
| tzs | ZZ Standby | 2 | — | 2 | — | cyc |
| tzREC | ZZ Recovery | 2 | — | 2 | — | cyc |

Notes:

1. Guaranteed but not 100% tested. This parameter is periodically sampled.
2. Tested with load in Figure 2.
3. Tested with load in Figure 1.

SNOOZE AND RECOVERY CYCLE TIMING



ORDERING INFORMATION: IS61LP6432A

Commercial Range: 0°C to +70°C

| Speed | Order Part Number | Package |
|---------|-------------------|---------|
| 133 MHz | IS61LP6432A-133TQ | TQFP |

Industrial Range: -40°C to +85°C

| Speed | Order Part Number | Package |
|---------|---------------------|-----------------|
| 133 MHz | IS61LP6432A-133TQI | TQFP |
| 133 MHz | IS61LP6432A-133TQLI | TQFP, Lead-free |

ORDERING INFORMATION: IS61LP6436A

Commercial Range: 0°C to +70°C

| Speed | Order Part Number | Package |
|---------|-------------------|---------|
| 166 MHz | IS61LP6436A-166TQ | TQFP |
| 133 MHz | IS61LP6436A-133TQ | TQFP |

Industrial Range: -40°C to +85°C

| Speed | Order Part Number | Package |
|---------|---------------------|-----------------|
| 166 MHz | IS61LP6436A-166TQI | TQFP |
| 166 MHz | IS61LP6436A-166TQLI | TQFP, Lead-free |
| 133 MHz | IS61LP6436A-133TQI | TQFP |
| 133 MHz | IS61LP6436A-133TQLI | TQFP, Lead-free |

PACKAGING INFORMATION

TQFP (Thin Quad Flat Pack Package)

Package Code: TQ



| Thin Quad Flat Pack (TQ) | | | | | | | | | |
|--------------------------|-------------|-------|------------|-------|-----------|-------------|------------|--------|-----|
| Symbol | Millimeters | | Inches | | Symbol | Millimeters | | Inches | |
| | Min | Max | Min | Max | | Min | Max | Min | Max |
| Ref. Std. | | | | | | | | | |
| No. Leads (N) | 100 | | | | 128 | | | | |
| A | — | 1.60 | — | 0.063 | — | 1.60 | — | 0.063 | |
| A1 | 0.05 | 0.15 | 0.002 | 0.006 | 0.05 | 0.15 | 0.002 | 0.006 | |
| A2 | 1.35 | 1.45 | 0.053 | 0.057 | 1.35 | 1.45 | 0.053 | 0.057 | |
| b | 0.22 | 0.38 | 0.009 | 0.015 | 0.17 | 0.27 | 0.007 | 0.011 | |
| D | 21.90 | 22.10 | 0.862 | 0.870 | 21.80 | 22.20 | 0.858 | 0.874 | |
| D1 | 19.90 | 20.10 | 0.783 | 0.791 | 19.90 | 20.10 | 0.783 | 0.791 | |
| E | 15.90 | 16.10 | 0.626 | 0.634 | 15.80 | 16.20 | 0.622 | 0.638 | |
| E1 | 13.90 | 14.10 | 0.547 | 0.555 | 13.90 | 14.10 | 0.547 | 0.555 | |
| e | 0.65 BSC | | 0.026 BSC | | 0.50 BSC | | 0.020 BSC | | |
| L | 0.45 | 0.75 | 0.018 | 0.030 | 0.45 | 0.75 | 0.018 | 0.030 | |
| L1 | 1.00 REF. | | 0.039 REF. | | 1.00 REF. | | 0.039 REF. | | |
| C | 0° | 7° | 0° | 7° | 0° | 7° | 0° | 7° | |

Notes:

1. All dimensioning and tolerancing conforms to ANSI Y14.5M-1982.
2. Dimensions D1 and E1 do not include mold protrusions. Allowable protrusion is 0.25 mm per side. D1 and E1 do include mold mismatch and are determined at datum plane -H-.
3. Controlling dimension: millimeters.

Данный компонент на территории Российской Федерации

Вы можете приобрести в компании MosChip.

Для оперативного оформления запроса Вам необходимо перейти по данной ссылке:

<http://moschip.ru/get-element>

Вы можете разместить у нас заказ для любого Вашего проекта, будь то серийное производство или разработка единичного прибора.

В нашем ассортименте представлены ведущие мировые производители активных и пассивных электронных компонентов.

Нашей специализацией является поставка электронной компонентной базы двойного назначения, продукции таких производителей как XILINX, Intel (ex.ALTERA), Vicor, Microchip, Texas Instruments, Analog Devices, Mini-Circuits, Amphenol, Glenair.

Сотрудничество с глобальными дистрибьюторами электронных компонентов, предоставляет возможность заказывать и получать с международных складов практически любой перечень компонентов в оптимальные для Вас сроки.

На всех этапах разработки и производства наши партнеры могут получить квалифицированную поддержку опытных инженеров.

Система менеджмента качества компании отвечает требованиям в соответствии с ГОСТ Р ИСО 9001, ГОСТ РВ 0015-002 и ЭС РД 009

Офис по работе с юридическими лицами:

105318, г.Москва, ул.Щербаковская д.3, офис 1107, 1118, ДЦ «Щербаковский»

Телефон: +7 495 668-12-70 (многоканальный)

Факс: +7 495 668-12-70 (доб.304)

E-mail: info@moschip.ru

Skype отдела продаж:

moschip.ru

moschip.ru_4

moschip.ru_6

moschip.ru_9