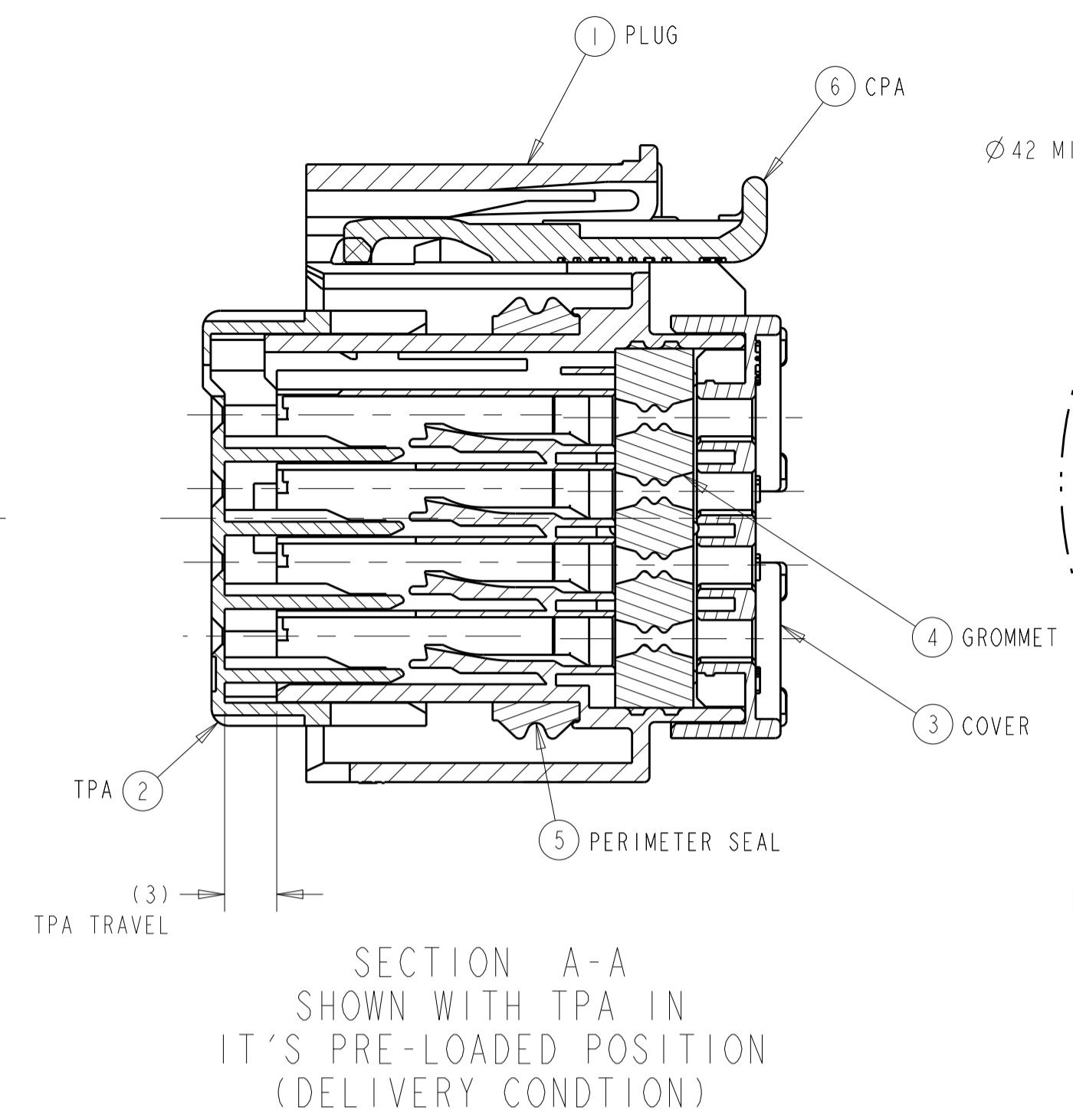
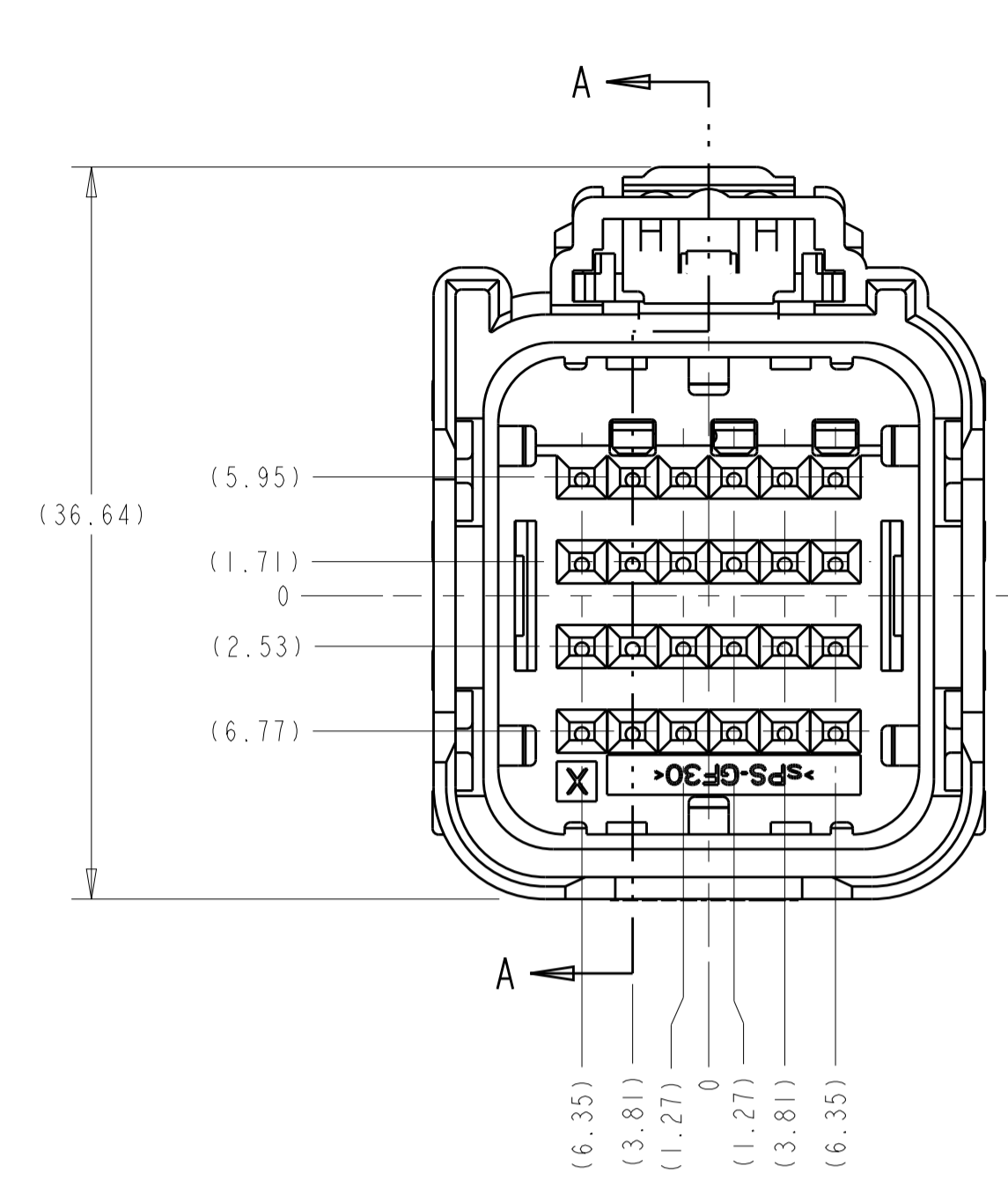
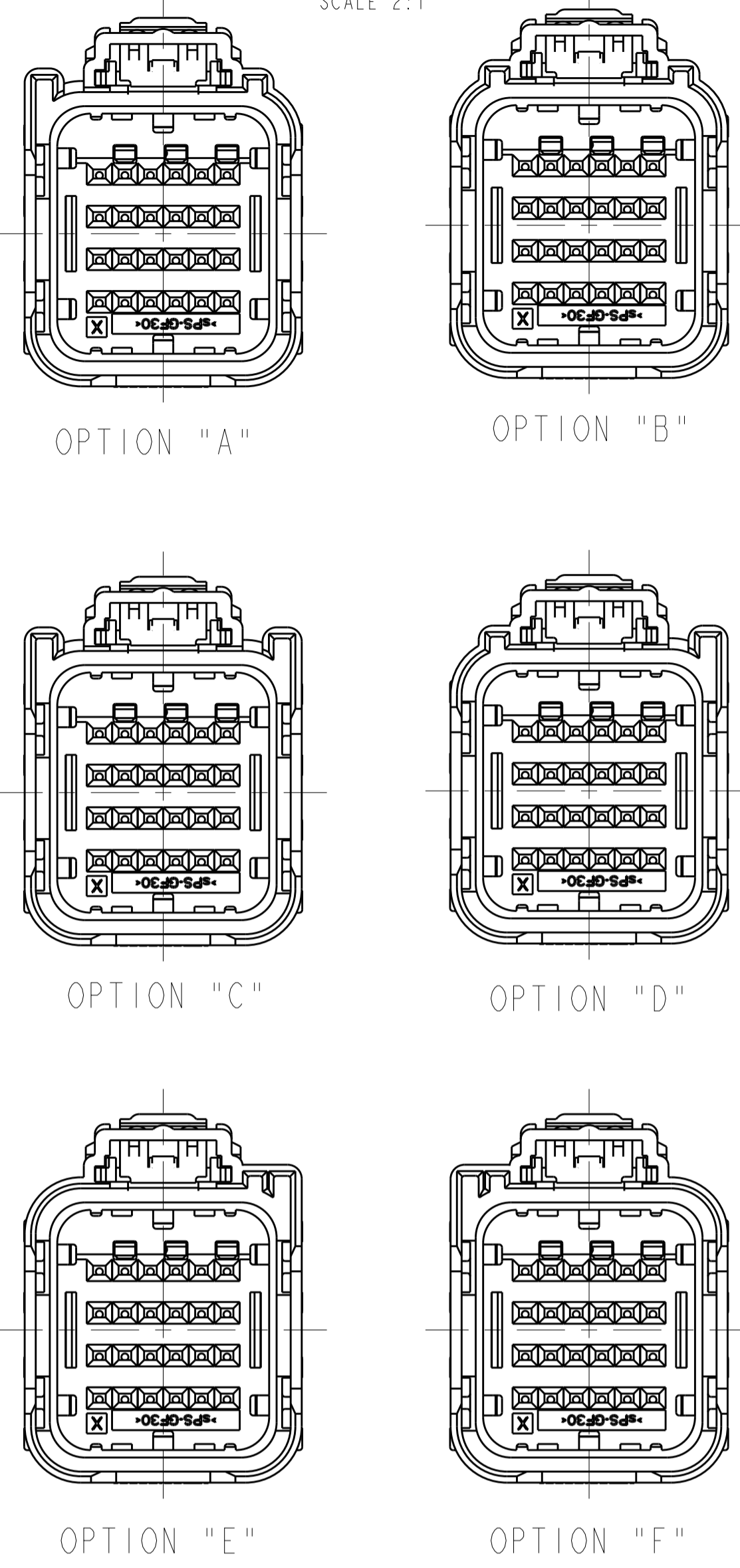


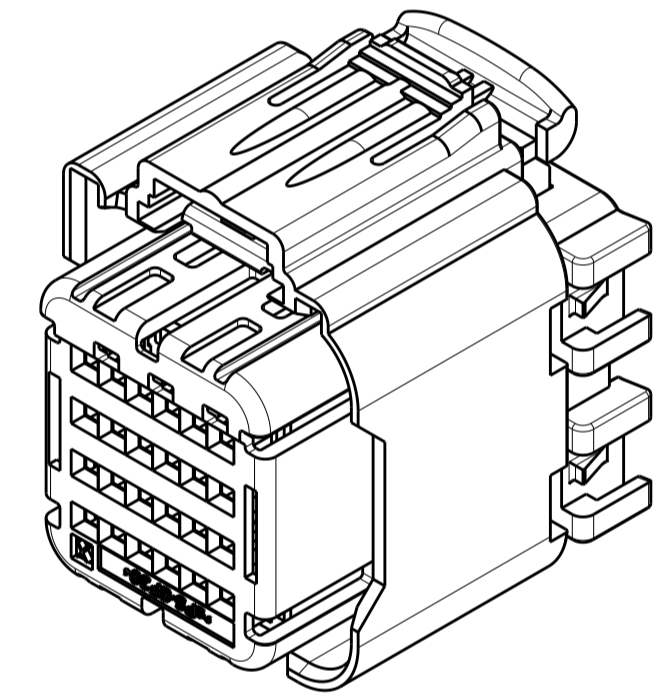
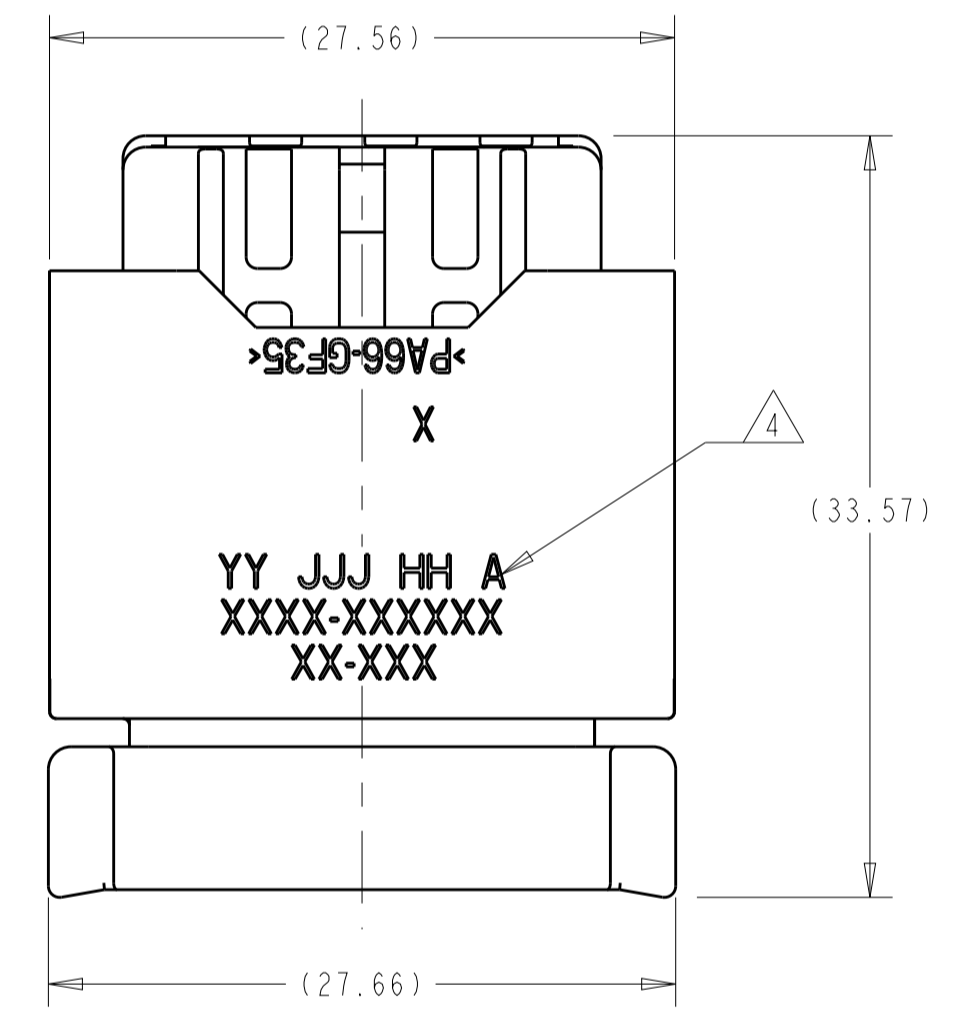
KEYING OPTIONS
SCALE 2:1



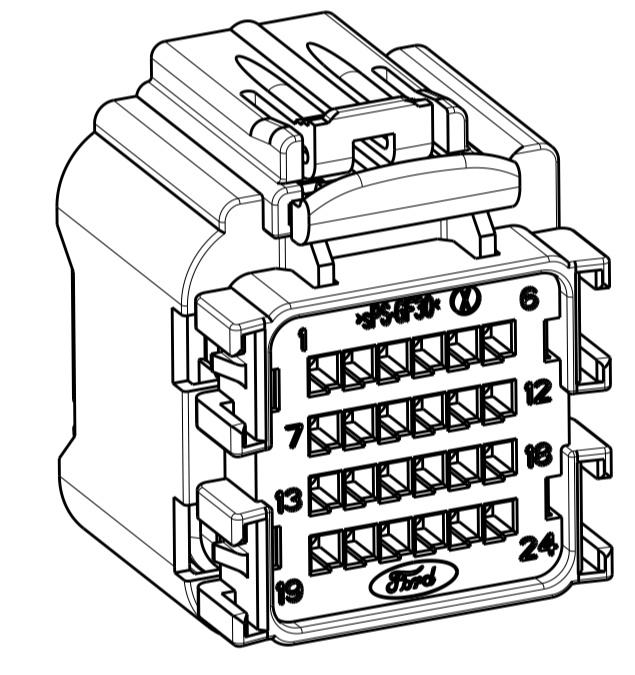
MINIMUM FEED THROUGH CONDITION
WITH 1mm CLEARANCE ALL AROUND

MINIMUM FEED THROUGH CONDITION
WITH 1mm CLEARANCE ALL AROUND
SHOWN WITH OPTION WIRESHIELD

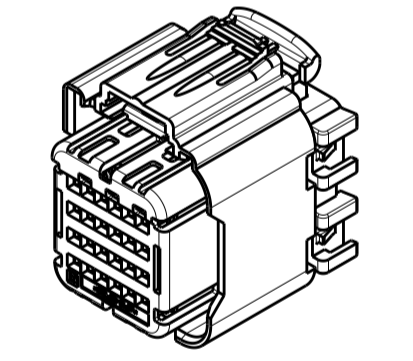
- APPLICABLE TERMINAL PART NUMBERS (SOLD SEPARATELY):
FOR TIN APPLICATIONS: 1393367 AND 1393366.
FOR GOLD APPLICATIONS: 1393365 AND 1393364.
FOR TERMINATION AND REELING OPTIONS
SEE DRAWINGS 1393367, 1393366, 1393365, AND 1393364.
- COMPATIBLE WIRE SIZES FOR MAT SEAL DESIGN 1.19 TO 2.06 O.D.
(22-18 AWG, 0.35-0.75 mm²)
- TPA IS SHIPPED IN IT'S PRE-LOADED POSITION. ALL ASSEMBLIES ARE TO BE TRAY PACKAGED.
- CUSTOMER PART NUMBER AND TRACEABILITY CODE (YY = TWO DIGIT YEAR, JJJ = JULIAN DAY, HH = TWO DIGIT MILITARY HOUR, A = ASSEMBLY PROCESS USED) ARE PRINTED IN THIS LOCATION.
- PART ASSEMBLY WEIGHT WITHOUT TERMINALS AND WITH STANDARD PIN-OUT CONFIGURATION IS 14.39 GRAMS.
- OPTIONAL WIRESHIELD P/N 7-1419157-8 (SOLD SEPARATELY). PLEASE CONTACT YOUR TE SALES REPRESENTATIVE FOR AVAILABILITY AND PRICING.



SCALE 2:1



SCALE 2:1



SCALE 1:1

KEYING OPTION "A" SHOWN

ASSEMBLY PART NUMBERS		QUANTITY
1-1438103-7		
1-1438103-6		
1-1438103-5		
1-1438356-2		
2-1438095-3		
1-1438103-4		
1438582-3		
1-1438356-1		
1-1438096-4		
1-1438103-3		
1-1438356-0		
2-1438095-2		
1-1438096-3		
1-1438096-2		
1-1438096-1		
1438583-3		
1438583-2		
1438583-1		
1438582-2		
1438582-1		
1-1438103-2		
2-1438095-1		
2-1438095-0		
1-1438095-9		
1-1438103-1		
1-1438095-8		
1-1438095-7		
1-1438103-0		
2-1438103-0		
1438356-9		
1438356-8		
1438103-9		
1-1438095-6		
1-1438095-5		
1-1438095-4		
1438356-7		
1438356-6		
1438356-5		
1438356-4		
1-1438095-3		
1-1438095-2		
1438103-8		
1438356-3		
1-1438095-1		
1438356-2		
1438356-1		
1-1438096-0		
1438096-9		
1438096-8		
1438096-7		
1438096-6		
1438096-5		
1438096-4		
1438096-3		
1438096-2		
4-1419171-1		
1-1438095-0		
1438095-9		
1438095-8		
1438095-7		
1438095-6		
1438095-5		
1438095-4		
1438095-3		
4-1419171-0		
1438103-7		
1438103-6		
1438103-5		
1438103-4		
1438103-3		
1438103-2		
1438103-1		
7-1419157-7		
3-1419171-9		

ITEM	DESCRIPTION	MATERIAL	FINISH/COLOR
6	CPA	PBT 15% GF	RED
5	PERIMETER SEAL	SILICONE	GREEN
4	GROMMET	SILICONE	BROWN
3	COVER	PA66 35% GF	BLACK
2	TPA WITH 3 SHORTING BAR POSITIONS CONFIGURATION	sPS 30% GF	RED
1	PLUG WITH KEYING OPTION "F" AND 3 SHORTING BAR POSITIONS CONFIGURATION	PA66 35% GF	BLACK
1	PLUG WITH KEYING OPTION "E" AND 3 SHORTING BAR POSITIONS CONFIGURATION	PA66 35% GF	BLACK
1	PLUG WITH KEYING OPTION "D" AND 3 SHORTING BAR POSITIONS CONFIGURATION	PA66 35% GF	BLACK
1	PLUG WITH KEYING OPTION "C" AND 3 SHORTING BAR POSITIONS CONFIGURATION	PA66 35% GF	NATURAL
1	PLUG WITH KEYING OPTION "B" AND 3 SHORTING BAR POSITIONS CONFIGURATION	PA66 35% GF	BLACK
1	PLUG WITH KEYING OPTION "A" AND 3 SHORTING BAR POSITIONS CONFIGURATION	PA66 35% GF	GRAY

THIS DRAWING IS A CONTROLLED DOCUMENT. DIMENSIONS: mm. TOLERANCES UNLESS OTHERWISE SPECIFIED: 0 PLC ±0.3, 1 PLC ±0.3, 2 PLC ±0.10, 3 PLC ±0.10, 4 PLC ±0.10, ANGLES ±0.5°. MATERIAL: SEE CHART ABOVE. FINISH: -.

OWN: M. FORLSKA, 16APR2002. CHK: M. FORLSKA, 16APR2002. APVD: A. VALASEK, 16APR2002. NAME: 24 WAY ARM, PLUG ASSEMBLY WITHOUT SHORTING BARS, CUSTOMER SPEC. PRODUCT SPEC: - APPLICATION SPEC: - SIZE: CAGE CODE: DRAWING NO: A1 00779 C=3-1419157-9. WEIGHT: SEE NOTE 5. RESTRICTED TO: -.

TE Connectivity logo and text: TE Connectivity, 24 WAY ARM, PLUG ASSEMBLY WITHOUT SHORTING BARS, CUSTOMER SPEC. SCALE: 3:1. SHEET: 1 OF 3. REV: BK.

LOC		DIST		REVISIONS				
F	LTN	DESCRIPTION	DATE	DWN	APVD			
-	-	SEE SHEET 1	-	-	-			

ASSEMBLY PART NUMBERS

ITEM	DESCRIPTION	MATERIAL	FINISH/COLOR
2096672-1			
2035010-2			
2035010-1			
2035009-3			
2035009-2			
2035009-1			
2035008-3			
2035008-2			
2035008-1			
2035007-2			
2035007-1			
3-1438103-6			
3-1438103-5			
3-1438103-4			
3-1438103-3			
3-1438103-2			
3-1438103-1			
3-1438103-0			
2-1438103-9			
2-1438103-8			
2-1438103-7			
2-1438103-6			
2-1438103-5			
2-1438103-4			
2-1438103-3			
2-1438103-2			
1-1438356-9			
1-1438356-8			
1-1438356-7			
1-1438356-6			
1-1438356-5			
1-1438356-4			
1438582-5			
1438582-4			
1-1438096-8			
1-1438096-5			
1-1438356-3			
1-1438103-9			
1-1438103-8			

QUANTITY

6	CPA	PBT 15% GF	RED
5	PERIMETER SEAL	SILICONE	GREEN
4	GROMMET	SILICONE	BROWN
3	COVER	PA66 35% GF	BLACK
2	TPA WITH 3 SHORTING BAR POSITIONS CONFIGURATION	sPS 30% GF	RED
1	PLUG WITH KEYING OPTION "F" AND 3 SHORTING BAR POSITIONS CONFIGURATION	PA66 35% GF	BLACK
1	PLUG WITH KEYING OPTION "E" AND 3 SHORTING BAR POSITIONS CONFIGURATION	PA66 35% GF	BLACK
1	PLUG WITH KEYING OPTION "D" AND 3 SHORTING BAR POSITIONS CONFIGURATION	PA66 35% GF	BLACK
1	PLUG WITH KEYING OPTION "C" AND 3 SHORTING BAR POSITIONS CONFIGURATION	PA66 35% GF	NATURAL
1	PLUG WITH KEYING OPTION "B" AND 3 SHORTING BAR POSITIONS CONFIGURATION	PA66 35% GF	BLACK
1	PLUG WITH KEYING OPTION "A" AND 3 SHORTING BAR POSITIONS CONFIGURATION	PA66 35% GF	GRAY

THIS DRAWING IS A CONTROLLED DOCUMENT.		DWN M. FORLSKA 16APR2002	 TE Connectivity NAME 24 WAY ARM, PLUG ASSEMBLY WITHOUT SHORTING BARS, CUSTOMER SPEC.
DIMENSIONS: mm		CHK M. FORLSKA 16APR2002	
TOLERANCES UNLESS OTHERWISE SPECIFIED:		APVD A. VALASEK 16APR2002	
0 PLC ± 1 PLC ±0.3 2 PLC ±0.10 3 PLC ± 4 PLC ± ANGLES ±3° FINISH -		PRODUCT SPEC - APPLICATION SPEC - WEIGHT - CUSTOMER DRAWING	
MATERIAL SEE CHART ABOVE	SIZE CAGE CODE DRAWING NO. A1 00779 C=3-1419157-9	RESTRICTED TO	SCALE 3:1 SHEET 2 OF 3 REV BK

LOC: FX, DIST: 00, REVISIONS table with columns for P, LTM, DESCRIPTION, DATE, DWN, APVD.

PIN-OUT CHART table with columns 1-24 and rows for various part numbers like 1-1438103-5, 1-1438356-2, etc., with corresponding keying options (A, B, C, D, E, F).

PIN-OUT CHART table with columns 1-24 and rows for various part numbers like 1-1438103-5, 1-1438356-2, etc., with corresponding keying options (A, B, C, D, E, F).

Technical drawing footer including dimensions (mm), tolerances (PLC, P, S, A), material, finish, and a table with drawing number 00779, customer drawing, and sheet 3 of 3.

Данный компонент на территории Российской Федерации

Вы можете приобрести в компании MosChip.

Для оперативного оформления запроса Вам необходимо перейти по данной ссылке:

<http://moschip.ru/get-element>

Вы можете разместить у нас заказ для любого Вашего проекта, будь то серийное производство или разработка единичного прибора.

В нашем ассортименте представлены ведущие мировые производители активных и пассивных электронных компонентов.

Нашей специализацией является поставка электронной компонентной базы двойного назначения, продукции таких производителей как XILINX, Intel (ex.ALTERA), Vicor, Microchip, Texas Instruments, Analog Devices, Mini-Circuits, Amphenol, Glenair.

Сотрудничество с глобальными дистрибьюторами электронных компонентов, предоставляет возможность заказывать и получать с международных складов практически любой перечень компонентов в оптимальные для Вас сроки.

На всех этапах разработки и производства наши партнеры могут получить квалифицированную поддержку опытных инженеров.

Система менеджмента качества компании отвечает требованиям в соответствии с ГОСТ Р ИСО 9001, ГОСТ РВ 0015-002 и ЭС РД 009

Офис по работе с юридическими лицами:

105318, г.Москва, ул.Щербаковская д.3, офис 1107, 1118, ДЦ «Щербаковский»

Телефон: +7 495 668-12-70 (многоканальный)

Факс: +7 495 668-12-70 (доб.304)

E-mail: info@moschip.ru

Skype отдела продаж:

moschip.ru

moschip.ru_4

moschip.ru_6

moschip.ru_9