



The HFX Series I Joystick is designed for precision finger operated applications requiring proportional control and long trouble-free life. Featuring non-contacting Hall effect technology for three million lifecycle performance, the HFX Series I may be specified as a one, two, or three axes joystick. Featuring APEM's core Hall effect technology and patented joystick mechanism, the HFX Series I has been field tested and proven for more than a dozen years. The HFX Series I joystick's compact size, low operational force and high reliability make it ideally suited for clean environment applications including coordinate measuring machines, CCTV equipment and broadcast camera control.



KEY FEATURES

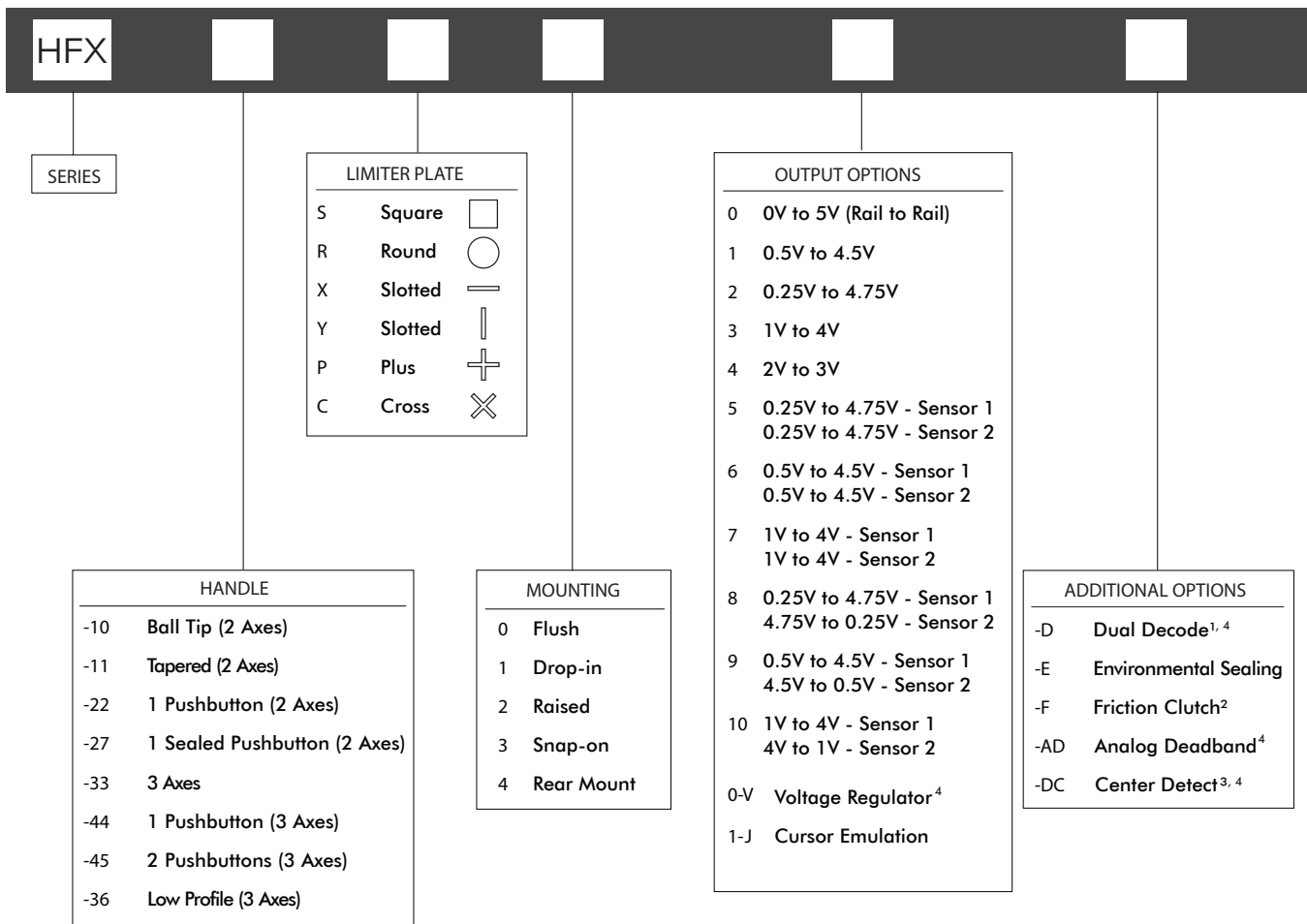
- Hall effect technology
- Precision analog control
- One, two, or three axes operation
- Range of fingertip handle options
- Rated for 3 million lifecycles
- Sealing up to IP68 above panel



HFX series I

First generation Hall effect joysticks

OPTION SELECTION



NOTES

1. Dual Decode cannot be used with the Voltage Regulator. Dual Decode requires Output Option 8.
2. Friction Clutch requires limiter plates R, X, or Y.
3. Center Detect requires output Option 1.
4. Depth below panel increases by 10mm (0.394in) for Voltage Regulator, Dual Decode, Analog Deadband, and Center Detect Output Options.



Up to IP68 available.



Mounting accessories. Standard hardware includes: gasket, clamping ring, and four 40-3/4Phil Ph MS SS screws.

HFX series I

First generation Hall effect joysticks

SPECIFICATIONS

| MECHANICAL (FOR X, Y AXES) | | |
|------------------------------|---|-------------------------------|
| Break Out Force | - | 1.3N (0.3lbf) |
| Operating Force | - | 2.8N (0.63lbf) |
| Maximum Applied Force | - | 200N (45.00lbf) |
| Mechanical Angle of Movement | - | 36° (±18°) |
| Expected Life | - | 3 million cycles |
| Material | - | Glass filled nylon |
| Lever Action | - | Single spring omnidirectional |

| MECHANICAL (FOR Z AXIS) | | |
|--------------------------|---|------------------------------|
| Break Out Torque | - | 0.09N-m (0.80lbf-in) |
| Operating Torque | - | 0.121N-m (1.07lbf-in) |
| Maximum Allowable Torque | - | 0.150N-m (1.33lbf-in) |
| Hand Mechanical Angle | - | 60° (±30°) |
| Handle Action | - | Spring centering, rotational |
| Expected Life | - | 3 million cycles |

| ENVIRONMENTAL | | |
|--------------------------|---|--------------------------------|
| Operating Temperature | - | -25°C to 70°C (-13°F to 158°F) |
| Storage Temperature | - | -40°C to 70°C (-40°F to 158°F) |
| Sealing (IP) | - | IP65 to IP68* |
| EMC Immunity Level (V/M) | - | IEC 61000-4-3: 2006 |
| EMC Emissions Level | - | IEC 61000-4-8: 1993/A1: 2000 |
| ESD | - | IEC 61000-4-2: 2008 |

| ELECTRICAL | | |
|------------------------------------|---|---------------|
| Sensor | - | Hall effect |
| Resolution | - | Infinite |
| Supply Voltage Operating | - | 5.00VDC |
| Reverse Polarity Max | - | -14.5VDC |
| Overvoltage Max | - | 18VDC |
| Output Voltage | - | See options |
| Output Impedance | - | 6Ω |
| Current Consumption Max | - | 10mA per axis |
| Return to Center Voltage (No Load) | - | ±200mV |
| Output Ramp | - | See options |

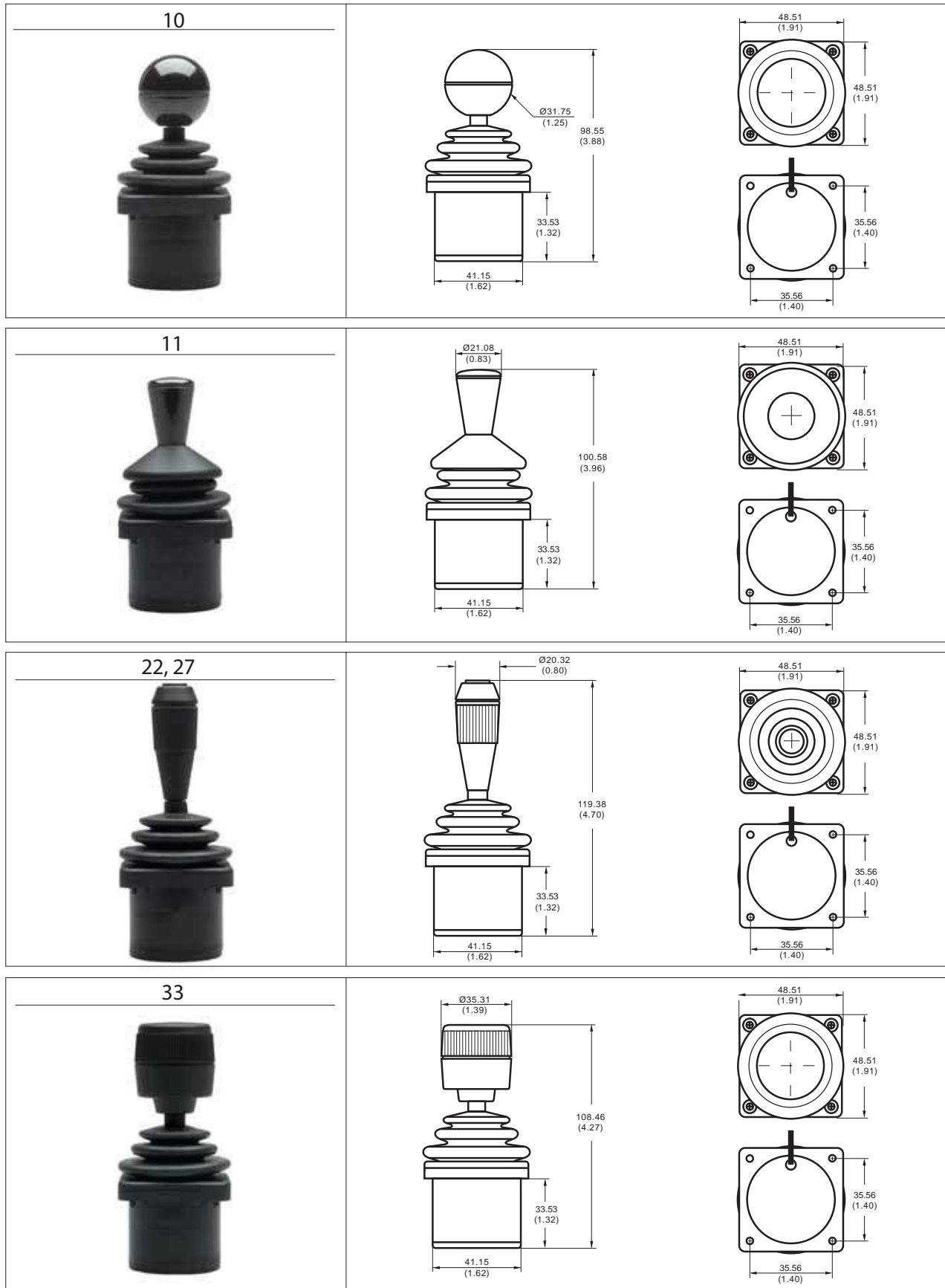
NOTES:

- All values are nominal
- Exact specifications may be subject to configuration.
Contact Technical Support for the performance of your specific configuration.
- * Excludes some handle options

HFX series I

First generation Hall effect joysticks

DIMENSIONAL DRAWINGS



Note: The company reserves the right to change specifications without notice.

HFX series I

First generation Hall effect joysticks

DIMENSIONAL DRAWINGS



NOTES:

1. Dimensions are in mm/(inch).
2. Depth below panel increases by 10mm (0.394in) for Voltage Regulator, Dual Decode, Analog Deadband, and Center Detect Output Options.
3. Axes orientation:



DEFAULT WIRE COLOR CODE*

| COLOR | FUNCTION | AWG |
|--------|--------------------------|-----|
| RED | Vcc or Vdd | 28 |
| BLACK | Ground | |
| BLUE | X Axis | |
| YELLOW | Y Axis | |
| GREEN | Z Axis | 22 |
| WHITE | Switch Common (optional) | |
| ORANGE | Switch 1 (optional) | |
| VIOLET | Switch 2 (optional) | |

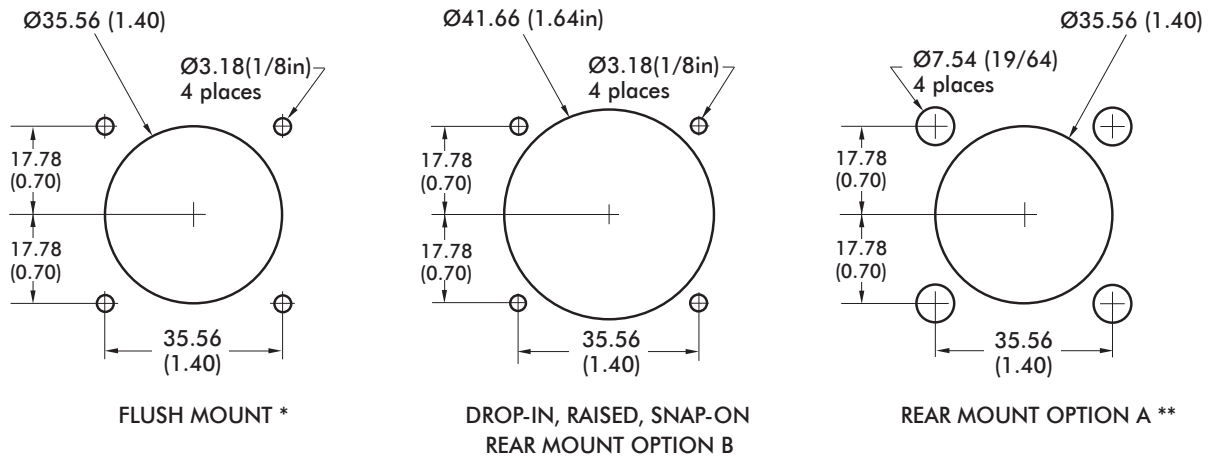
* - Starting from the strain relief, the leads are 178mm (7in) long, 3.18mm (0.125in) stripped.

HFX series I

First generation Hall effect joysticks

DIMENSIONAL DRAWINGS - continued

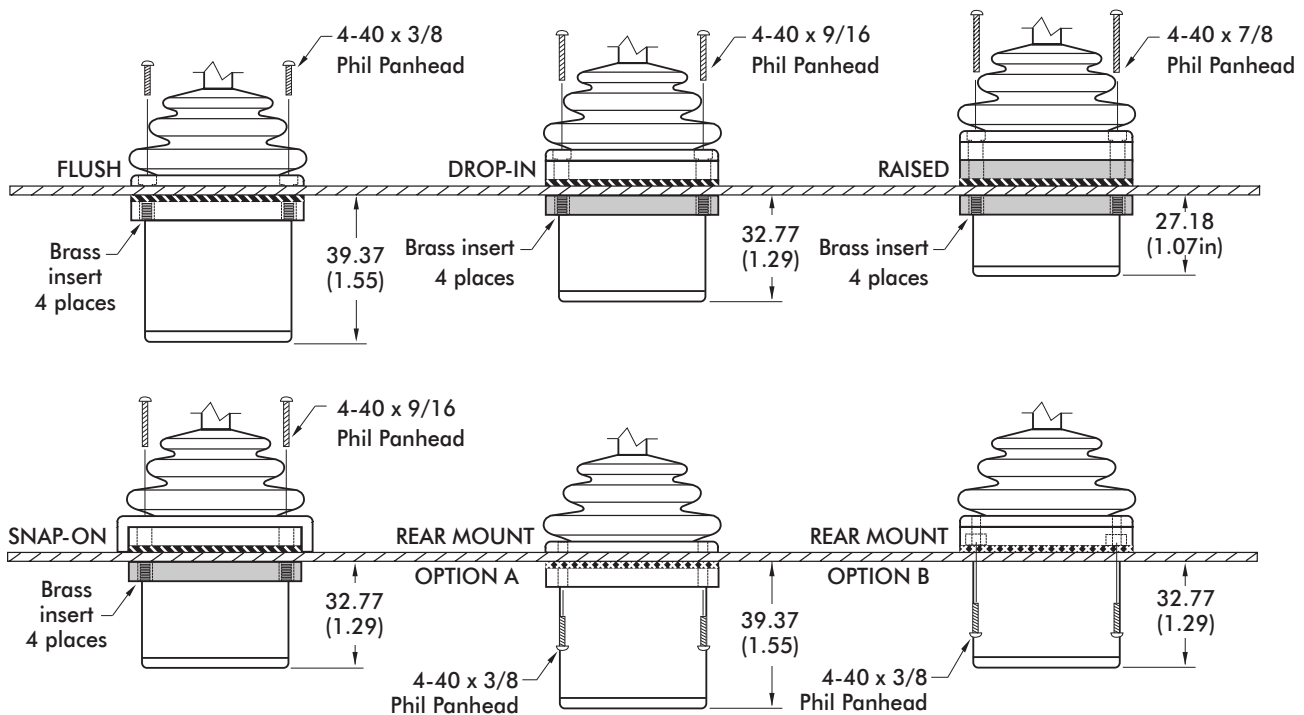
PANEL CUTOUT DIMENSIONS



* Not available for Option 11 Handle

** Available only for Option 10, 22, and 27 Handles

MOUNTING OPTIONS



NOTES:

- Dimensions are in mm/(inch).
- The panel thickness can be 1.17mm to 3.17mm (0.046in to 0.125in), except for the Rear Mount Option A, where the maximum panel thickness is 1.6mm (0.063in).
- A panel thickness of 1/16" (1.6mm, 0.063in) was considered for all the below-panel depth values.

HFX series I

First generation Hall effect joysticks

CONFIGURATION OPTIONS

LINEAR OUTPUT OPTIONS



Note: The company reserves the right to change specifications without notice.

HFX series I

First generation Hall effect joysticks

CONFIGURATION OPTIONS - continued

ADDITIONAL OUTPUT OPTIONS

DUAL DECODE

Dual Decode utilizes a microprocessor to monitor two linear opposite-ramp signals for each joystick axis and provides one proportional (0.5VDC – 4.5VDC) and one logical output accordingly. The dual inverted signals are continuously monitored and a logical signal of 0VDC is provided for over-range (>4.5VDC), under-range (<0.5VDC) and signal tracking (sum of both signals equals 4.5V +/-10%) error. A logical signal of 5.0VDC is provided for a properly functioning joystick deflected from center.

APPLICATIONS

Dual Decode provides a center detect function as well as error tracking, making it ideal for high liability, safety critical applications.



ELECTRICAL SPECIFICATIONS

| | | |
|----------------|---|----------------------|
| Supply Power | - | 4.5VDC to 5.5VDC |
| Supply Current | - | 30mA + 10mA per axis |

WIRING SPECIFICATION

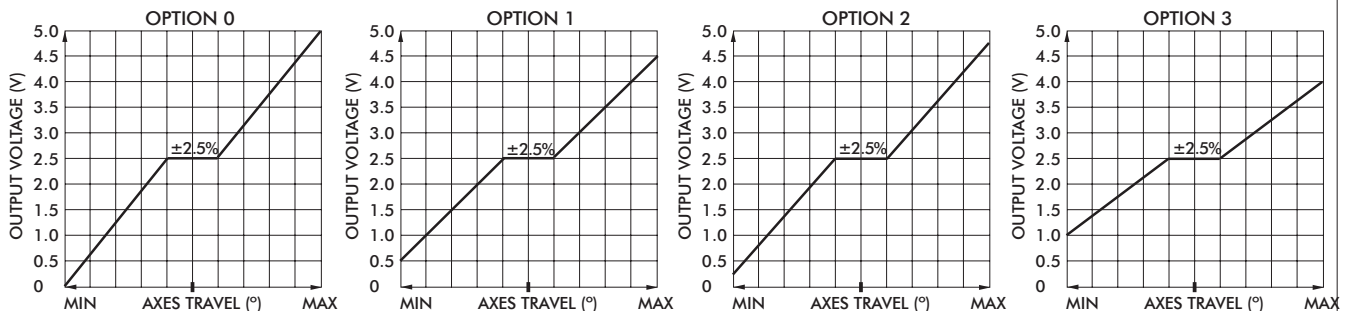
| | | |
|---|---|-------------------------------------|
| Red wire | - | Customer power supply 4.5VDC-5.5VDC |
| Black wire | - | Customer power supply ground |
| Blue wire | - | X axis output |
| Yellow wire | - | Y axis output |
| Green wire | - | Z axis output |
| Blue/White wire | - | X axis dual decode logic output |
| Yellow/Black wire | - | Y axis dual decode logic output |
| Green/Black wire | - | Z axis dual decode logic output |
| White wire | - | Pushbutton common wire |
| Orange, violet, grey, brown, pink, bl/wt/y/bk, gn/bk, gy/w wire | - | Pushbutton outputs |

ANALOG DEADBAND

Analog Deadband utilizes an analog circuit to monitor proportional joystick outputs and enhance return to center accuracy over multiple axes. Specified for joysticks with normally ranged outputs of 0vdc – 5vdc at full axis travel, a constant output of 2.5vdc is provided for the joystick's position +/-2.5° from center.

APPLICATIONS

Analog Deadband effectively eliminates mechanical return-to-center error, making it ideally suited for safety critical applications susceptible to drift and motion control systems lacking center position trim.



Note: The company reserves the right to change specifications without notice.

HFX series I

First generation Hall effect joysticks

CONFIGURATION OPTIONS - continued

ADDITIONAL OUTPUT OPTIONS

ELECTRICAL SPECIFICATIONS

| | | |
|----------------|---|------------------|
| Supply Power | - | 4.5VDC to 5.5VDC |
| Supply Current | - | 10mA per axis |

WIRING SPECIFICATION

| | | |
|---|---|----------------------------------|
| Red wire | - | Customer power supply 4.5-5.5vdc |
| Black wire | - | Customer power supply ground |
| Blue wire | - | X axis output |
| Yellow wire | - | Y axis output |
| Green wire | - | Z axis output |
| White wire | - | Pushbutton common wire |
| Orange,violet,gre,y,brown,pink,bl/wt/y/bk,gn/bk,gy/w wire | - | Pushbutton outputs |

CENTER DETECT

Center Detect utilizes a microprocessor to monitor joystick output and provides both logic and proportional signals for enhanced operator safety. Specified for a joystick normally ranged 0.5VDC to 4.5VDC, the microprocessor continuously monitors the proportional output and provides HI logic signal (5.0VDC) when moved off center and an LO logical signal (0VDC) for an over-range (>4.5VDC) or under-range (<0.5VDC).

APPLICATIONS

Center Detect is ideal for safety critical applications including master relay control "MRC" for a motion control systems or as a brake release for an overhauling load.



ELECTRICAL SPECIFICATIONS

| | | |
|----------------|---|----------------------|
| Supply Power | - | 4.5V to 5.5V |
| Supply Current | - | 30mA + 10mA per axis |

WIRING SPECIFICATION

| | | |
|--|---|-----------------------------------|
| Red Wire | - | Power supply 4.5 - 5.5VDC |
| Black Wire | - | Ground |
| Blue Wire | - | X axis output |
| Yellow Wire | - | Y axis output |
| Green Wire | - | Z axis output |
| Blue/White Wire | - | X axis center detect logic output |
| Yellow/Black Wire | - | Y axis center detect logic output |
| Green/Black Wire | - | Z axis center detect logic output |
| White Wire | - | Pushbutton common wire |
| Orange,violet,gray,brown,pink,bl/wt,y/bk,gn/bk,gy/w wire | - | Pushbutton outputs |

HFX series I

First generation Hall effect joysticks

CONFIGURATION OPTIONS - continued

ADDITIONAL OUTPUT OPTIONS

VOLTAGE REGULATOR

The Voltage Regulator is a multi-wired analog option used to mate to a variety of industrial control voltages. The Voltage Regulator may be used when the supply or output voltage is greater than 5V or when bipolar output is required.

User Specified Supply Voltage:

- 5 VDC
- 10 VDC
- 12 VDC
- 24 – 30 VDC
- Custom supply options available.

User Specified Output Voltage:

- 0-5 VDC
- 0-10 VDC
- +/-5 VDC
- +/-10 VDC
- Custom outputs available.

ELECTRICAL SPECIFICATIONS

| | | |
|----------------|---|---------------|
| Supply Power | - | 5VDC to 30VDC |
| Supply Current | - | 90mA max |

WIRING SPECIFICATION

| | | |
|--|---|------------------------|
| Red wire | - | Supply power 5-30VDC |
| Black wire | - | Ground |
| Blue wire | - | X axis output |
| Yellow wire | - | Y axis output |
| Green wire | - | Z axis output |
| White wire | - | Pushbutton common wire |
| Orange,violet,gray,brown,pink,bl/wt/y/bk,gn/bk,gy/w wire | - | Pushbutton outputs |

FRICITION CLUTCH

The Friction Clutch option provides absolute positioning. The joystick does not mechanically return to center, the handle maintains its position when released.

Данный компонент на территории Российской Федерации

Вы можете приобрести в компании MosChip.

Для оперативного оформления запроса Вам необходимо перейти по данной ссылке:

<http://moschip.ru/get-element>

Вы можете разместить у нас заказ для любого Вашего проекта, будь то серийное производство или разработка единичного прибора.

В нашем ассортименте представлены ведущие мировые производители активных и пассивных электронных компонентов.

Нашей специализацией является поставка электронной компонентной базы двойного назначения, продукции таких производителей как XILINX, Intel (ex.ALTERA), Vicor, Microchip, Texas Instruments, Analog Devices, Mini-Circuits, Amphenol, Glenair.

Сотрудничество с глобальными дистрибьюторами электронных компонентов, предоставляет возможность заказывать и получать с международных складов практически любой перечень компонентов в оптимальные для Вас сроки.

На всех этапах разработки и производства наши партнеры могут получить квалифицированную поддержку опытных инженеров.

Система менеджмента качества компании отвечает требованиям в соответствии с ГОСТ Р ИСО 9001, ГОСТ РВ 0015-002 и ЭС РД 009

Офис по работе с юридическими лицами:

105318, г.Москва, ул.Щербаковская д.3, офис 1107, 1118, ДЦ «Щербаковский»

Телефон: +7 495 668-12-70 (многоканальный)

Факс: +7 495 668-12-70 (доб.304)

E-mail: info@moschip.ru

Skype отдела продаж:

moschip.ru

moschip.ru_4

moschip.ru_6

moschip.ru_9