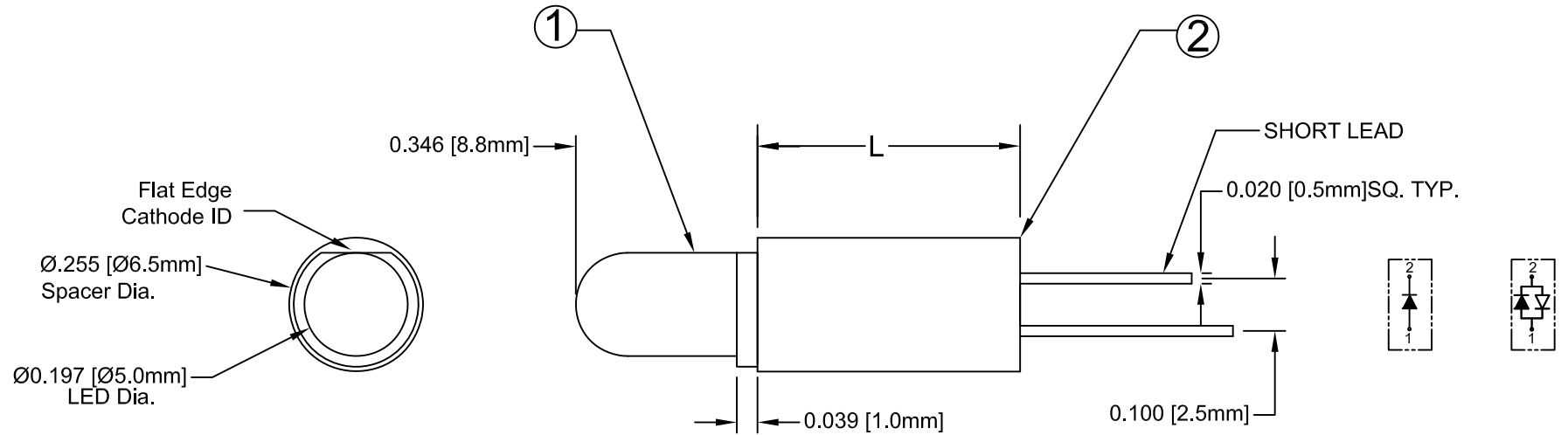
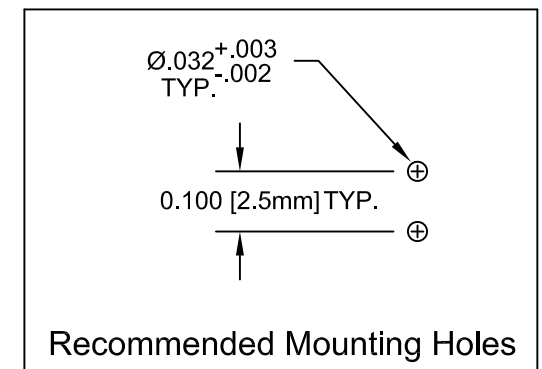


| ITEM | Q'TY | PART NUMBER | PART DESCRIPTION |
|------|------|-------------|---|
| 1 | 1 | 5XX-F | T-1 3/4 (5mm) Flange LED, See sheet 2 & 3 |
| 2 | 1 | ELM8XXX | Extruded, Self-Retaining LED Spacer |

| REV. | DESCRIPTION | DATE | APPROVED |
|------|--------------------------------------|----------|----------|
| B | Updated Drawing to Show Flanged LED. | 10/17/06 | M. C. |
| C | Changed Spacer from ELM3 to ELM8. | 01/17/07 | M. C. |
| D | Added -F to Sheets 2 and 3. | 01/04/08 | M. C. |
| E | Removed Tolerance Note. | 09/03/08 | M. C. |
| F | Added Bi-Color LEDs on Sheet 3 | 02/09/11 | T. Y. |
| G | Added Tape & Reel Options | 06/07/11 | T. Y. |
| H | Tape & Reel Design Update | 11/21/11 | T. Y. |



| BI-COLOR POLARITY | | |
|-------------------|-------------|-------------|
| LED P/N | (1) Cathode | (2) Cathode |
| 5BC-F | Green | Red |
| 5BC-Y/G-F | Green | Yellow |



ABSOLUTE MAXIMUM RATINGS (Ta = 25°C)

REVERSE VOLTAGE _____ 5V
 REVERSE CURRENT (VR=5V) _____ 100µA
 OPERATING TEMPERATURE RANGE _____ -25°C ~ 85°C
 STORAGE TEMPERATURE _____ -30°C ~ 100°C
 LEAD SOLDERING TEMPERATURE (1/16" FROM BODY) _____ 260°C for 5 Seconds

| STANDARD TOLERANCE (UNLESS OTHERWISE SPECIFIED) | | BIVAR® | |
|--|--------------------------|---|-----------------------|
| DECIMALS | ANGULAR | 4 THOMAS, IRVINE, CA. 92618 | |
| .X ± .1 | X° ± 1° | TEL: (949) 951-8808 FAX: (949) 951-3974 | |
| .XX ± .02 | | TITLE: Extruded Vertical T-1 3/4 (5mm) LED Standard Spacer Profile Assy | |
| .XXX ± .010 | | PART NO: ELM3XXX5XX | |
| DESIGNED: Sonny Dam | DATE: 05/05/06 | REVISION: H | |
| CHECKED: T. Yin | DATE: 05/05/06 | CAGE CODE : 32559 | SHEET # 1 OF 4 |
| CAD GENERATED DOCUMENT, DO NOT MEASURE DRAWING. | | | |

| | | | |
|------|--------------|------|----------|
| REV. | DESCRIPTION | DATE | APPROVED |
| | See Sheet #1 | | |

| LED Part No. | Chip | | | Lens Appearance | Absolute Maximum Ratings | | | | Electro-Optical Data @ 20mA | | | Viewing Angle (Deg) |
|--------------|------------|-----------------------------------|---------------|-----------------|--------------------------|---------|---------|--------------|-----------------------------|------|----------|---------------------|
| | Material | Peak Wave Length λ_p (nm) | Emitted Color | | $\Delta\lambda$ (nm) | Pd (mW) | If (mA) | Peak If (mA) | Vf (V) | | Iv (mcd) | |
| | | | | | | | | | Typ. | Max. | Typ. | |
| 5BWC-F | GaN/SiC | 430 | BLUE | WATER CLEAR | 65 | 150 | 25 | 70 | 4.0 | 4.5 | 125 | 20 |
| 5BWD-F | GaN/SiC | 430 | BLUE | DIFFUSED | 65 | 150 | 25 | 70 | 4.0 | 4.5 | 30 | 45 |
| 5BWT-F | GaN/SiC | 430 | BLUE | TINTED | 65 | 150 | 25 | 70 | 4.0 | 4.5 | 125 | 20 |
| 5PGC-F | GaP/GaP | 555 | PURE GREEN | WATER CLEAR | 30 | 80 | 30 | 150 | 2.2 | 2.6 | 30 | 30 |
| 5PGD-F | GaP/GaP | 555 | PURE GREEN | DIFFUSED | 30 | 80 | 30 | 150 | 2.2 | 2.6 | 15 | 45 |
| 5PGT-F | GaP/GaP | 555 | PURE GREEN | TINTED | 30 | 80 | 30 | 150 | 2.2 | 2.6 | 30 | 30 |
| 5GC-F | GaP/GaP | 565 | GREEN | WATER CLEAR | 30 | 80 | 30 | 150 | 2.2 | 2.6 | 150 | 20 |
| 5GD-F | GaP/GaP | 565 | GREEN | DIFFUSED | 30 | 80 | 30 | 150 | 2.2 | 2.6 | 70 | 45 |
| 5GT-F | GaP/GaP | 565 | GREEN | TINTED | 30 | 80 | 30 | 150 | 2.2 | 2.6 | 150 | 20 |
| 5YC-F | GaAsP/GaP | 585 | YELLOW | WATER CLEAR | 35 | 80 | 30 | 150 | 2.1 | 2.6 | 140 | 20 |
| 5YD-F | GaAsP/GaP | 585 | YELLOW | DIFFUSED | 35 | 80 | 30 | 150 | 2.1 | 2.6 | 70 | 45 |
| 5YT-F | GaAsP/GaP | 585 | YELLOW | TINTED | 35 | 80 | 30 | 150 | 2.1 | 2.6 | 140 | 20 |
| 5AC-F | GaAsP/GaP | 610 | AMBER | WATER CLEAR | 35 | 80 | 30 | 150 | 2.2 | 2.6 | 70 | 20 |
| 5AD-F | GaAsP/GaP | 610 | AMBER | DIFFUSED | 35 | 80 | 30 | 150 | 2.2 | 2.6 | 45 | 45 |
| 5AT-F | GaAsP/GaP | 610 | AMBER | TINTED | 35 | 80 | 30 | 150 | 2.2 | 2.6 | 70 | 20 |
| 5HC-F | GaAsP/GaP | 635 | HE RED | WATER CLEAR | 45 | 80 | 30 | 150 | 2.0 | 2.6 | 150 | 20 |
| 5HD-F | GaAsP/GaP | 635 | HE RED | DIFFUSED | 45 | 80 | 30 | 150 | 2.0 | 2.6 | 80 | 45 |
| 5HT-F | GaAsP/GaP | 653 | HE RED | TINTED | 45 | 80 | 30 | 150 | 2.0 | 2.6 | 150 | 20 |
| 5RC-F | GaAsP/GaAs | 655 | RED | WATER CLEAR | 40 | 80 | 40 | 200 | 1.7 | 2.0 | 15 | 20 |
| 5RD-F | GaAsP/GaAs | 655 | RED | DIFFUSED | 40 | 80 | 40 | 200 | 1.7 | 2.0 | 5 | 45 |
| 5RT-F | GaAsP/GaAs | 655 | RED | TINTED | 40 | 80 | 40 | 200 | 1.7 | 2.0 | 15 | 20 |

| | | | |
|---|--|--|--|
| STANDARD TOLERANCE (UNLESS OTHERWISE SPECIFIED) <small>10% All Values</small> | |  BIVAR [®] 4 THOMAS, IRVINE, CA, 92618 TEL: (949) 951-8808 FAX: (949) 951-3974 | |
| ANGULAR X° ± 1° | | | |
|  | | TITLE: Extruded Vertical T-1 3/4 (5mm) LED Standard Spacer Profile Assy | |
| | | DESIGNED: Sonny Dam | DATE: 05/05/06 |
| CHECKED: T. Yin | | DATE: 05/05/06 | CAGE CODE : 32559 SHEET # 2 OF 4 |
| CAD GENERATED DOCUMENT, DO NOT MEASURE DRAWING. | | | |

| REV. | DESCRIPTION | DATE | APPROVED |
|------|--------------|------|----------|
| | See Sheet #1 | | |

| LED Part No. | Chip | | | Lens Appearance | Absolute Maximum Ratings | | | | Electro-Optical Data @ 2mA | | | Viewing Angle (Deg) |
|--------------|------------|-----------------------------------|---------------|-----------------|--------------------------|---------|---------|--------------|----------------------------|------|----------|---------------------|
| | Material | Peak Wave Length λ_p (nm) | Emitted Color | | $\Delta\lambda$ (nm) | Pd (mW) | If (mA) | Peak If (mA) | Vf (V) | | Iv (mcd) | |
| | | | | | | | | | Typ. | Max. | Typ. | |
| 5BWDL-F | GaN/SiC | 430 | BLUE | DIFFUSED | 65 | 90 | 5 | - | 3.5 | 4.0 | 6.0 | 45 |
| 5PGDL-F | GaP/GaP | 555 | PURE GREEN | DIFFUSED | 25 | 10 | 5 | - | 1.9 | 2.2 | 1.0 | 45 |
| 5GDL-F | GaP/GaP | 565 | GREEN | DIFFUSED | 30 | 10 | 5 | - | 1.9 | 2.2 | 3.0 | 45 |
| 5YDL-F | GaAsP/GaP | 585 | YELLOW | DIFFUSED | 35 | 10 | 5 | - | 1.9 | 2.2 | 3.0 | 45 |
| 5ADL-F | GaAsP/GaP | 610 | AMBER | DIFFUSED | 35 | 10 | 5 | - | 1.9 | 2.2 | 6.0 | 45 |
| 5HDL-F | GaAsP/GaP | 635 | HE RED | DIFFUSED | 45 | 10 | 5 | - | 1.8 | 2.2 | 3.0 | 45 |
| 5RD-L-F | GaAsP/GaAs | 660 | SUPER RED | DIFFUSED | 40 | 10 | 5 | - | 1.9 | 2.2 | 15.0 | 45 |

| LED Part No. | Chip | | | Lens Appearance | Absolute Maximum Ratings | | | | Electro-Optical Data @ 10mA | | | Viewing Angle (Deg) |
|--------------|-----------|-----------------------------------|---------------|-----------------|--------------------------|---------|---------|--------------|-----------------------------|------|----------|---------------------|
| | Material | Peak Wave Length λ_p (nm) | Emitted Color | | $\Delta\lambda$ (nm) | Pd (mW) | If (mA) | Peak If (mA) | Vf (V) | | Iv (mcd) | |
| | | | | | | | | | Typ. | Max. | Typ. | |
| 5GD5V-F | GaP/GaP | 565 | GREEN | DIFFUSED | - | - | 8 | 12 | - | 5.0 | 25.0 | 45 |
| 5YD5V-F | GaAsP/GaP | 585 | YELLOW | DIFFUSED | - | - | 8 | 12 | - | 5.0 | 20.0 | 45 |
| 5AD5V-F | GaAsP/GaP | 610 | AMBER | DIFFUSED | - | - | 8 | 12 | - | 5.0 | 60.0 | 45 |
| 5HD5V-F | GaAsP/GaP | 635 | HE RED | DIFFUSED | - | - | 8 | 12 | - | 5.0 | 50.0 | 45 |
| 5RD5V-F | GaAsP/GaP | 655 | RED | DIFFUSED | - | - | 8 | 12 | - | 5.0 | 15.0 | 45 |

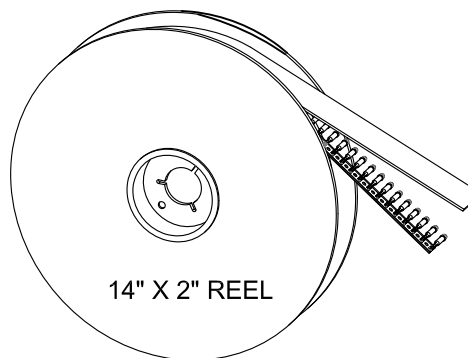
| LED Part No. | Chip | | | Lens Appearance | Absolute Maximum Ratings | | | | Electro-Optical Data @ 10mA | | | Viewing Angle (Deg) |
|--------------|-----------|-----------------------------------|---------------|-----------------|--------------------------|---------|---------|--------------|-----------------------------|------|----------|---------------------|
| | Material | Peak Wave Length λ_p (nm) | Emitted Color | | $\Delta\lambda$ (nm) | Pd (mW) | If (mA) | Peak If (mA) | Vf (V) | | Iv (mcd) | |
| | | | | | | | | | Typ. | Max. | Typ. | |
| 5BC-F | GaAsP/GaP | 625 | RED | DIFFUSED | - | 80 | 20 | 150 | 2.0 | 2.8 | 8.0 | 45 |
| | GaP/GaP | 568 | GREEN | DIFFUSED | - | 80 | 20 | 150 | 2.1 | 2.8 | 8.0 | 45 |
| 5BC-Y/G-F | GaAsP/GaP | 590 | YELLOW | DIFFUSED | - | 85 | 20 | 150 | 2.0 | 2.8 | 6.0 | 45 |
| | GaP/GaP | 568 | GREEN | DIFFUSED | - | 80 | 20 | 150 | 2.1 | 2.8 | 8.0 | 45 |

| | | | |
|---|--|--|--|
| STANDARD TOLERANCE (UNLESS OTHERWISE SPECIFIED) 10% All Values | |  BIVAR [®] 4 THOMAS, IRVINE, CA. 92618 TEL: (949) 951-8808 FAX: (949) 951-3974 | |
| ANGULAR X° ± 1° | | | |
|  | | TITLE: Extruded Vertical T-1¼ (5mm) LED Standard Spacer Profile Assy | |
| | | DESIGNED: Sonny Dam | DATE: 05/05/06 |
| CHECKED: T. Yin | | DATE: 05/05/06 | CAGE CODE : 32559 SHEET # 3 OF 4 |
| CAD GENERATED DOCUMENT, DO NOT MEASURE DRAWING. | | | |

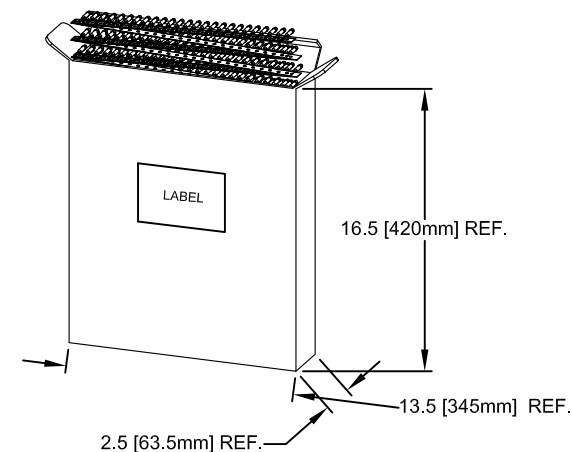
| REV. | DESCRIPTION | DATE | APPROVED |
|------|--------------|------|----------|
| | SEE SHEET #1 | | |
| | | | |
| | | | |
| | | | |
| | | | |



STANDARD PACKAGING TRAY



TAPE & REEL
1,000 pcs / reel



AMMO PACK
2,000 pcs / box

- NOTE:
1. STANDARD PART NUMBERS ARE PACKAGED IN LOOSE PIECES USING PACKAGING TRAYS
 2. ADD "T" SUFFIX TO PART NUMBER FOR TAPE AND REEL PACKAGING OPTION (1,000 PCS/REEL)
 3. ADD "A" SUFFIX TO PART NUMBER FOR AMMO PACK OPTION (2,000 PCS/BOX)
 4. TAPE AND REEL PACKAGING COMPLY TO EIA-468-C

| STANDARD TOLERANCE (UNLESS OTHERWISE SPECIFIED) | | REVISION: | |
|--|--------------------------|--|-----------------------|
| DECIMALS | ANGULAR | BIVAR [®] | |
| .X ± .1 | X° ± 1° | 4 THOMAS, IRVINE, CA. 92618 | |
| .XX ± .02 | | TEL: (949) 951-8808 FAX: (949) 951-3974 | |
| .XXX ± .010 | | TITLE: Extruded Vertical T1 3/4 (5mm) LED Standard Spacer Profile Assy | |
| DESIGNED: Sonny Dam | DATE: 05/05/06 | PART NO: ELM3XXX5XX | REVISION: H |
| CHECKED: T. Yin | DATE: 05/05/06 | CAGE CODE : 32559 | SHEET # 4 OF 4 |
| CAD GENERATED DOCUMENT, DO NOT MEASURE DRAWING. | | | |

Данный компонент на территории Российской Федерации

Вы можете приобрести в компании MosChip.

Для оперативного оформления запроса Вам необходимо перейти по данной ссылке:

<http://moschip.ru/get-element>

Вы можете разместить у нас заказ для любого Вашего проекта, будь то серийное производство или разработка единичного прибора.

В нашем ассортименте представлены ведущие мировые производители активных и пассивных электронных компонентов.

Нашей специализацией является поставка электронной компонентной базы двойного назначения, продукции таких производителей как XILINX, Intel (ex.ALTERA), Vicor, Microchip, Texas Instruments, Analog Devices, Mini-Circuits, Amphenol, Glenair.

Сотрудничество с глобальными дистрибьюторами электронных компонентов, предоставляет возможность заказывать и получать с международных складов практически любой перечень компонентов в оптимальные для Вас сроки.

На всех этапах разработки и производства наши партнеры могут получить квалифицированную поддержку опытных инженеров.

Система менеджмента качества компании отвечает требованиям в соответствии с ГОСТ Р ИСО 9001, ГОСТ РВ 0015-002 и ЭС РД 009

Офис по работе с юридическими лицами:

105318, г.Москва, ул.Щербаковская д.3, офис 1107, 1118, ДЦ «Щербаковский»

Телефон: +7 495 668-12-70 (многоканальный)

Факс: +7 495 668-12-70 (доб.304)

E-mail: info@moschip.ru

Skype отдела продаж:

moschip.ru

moschip.ru_4

moschip.ru_6

moschip.ru_9