

THIS DRAWING IS UNPUBLISHED.

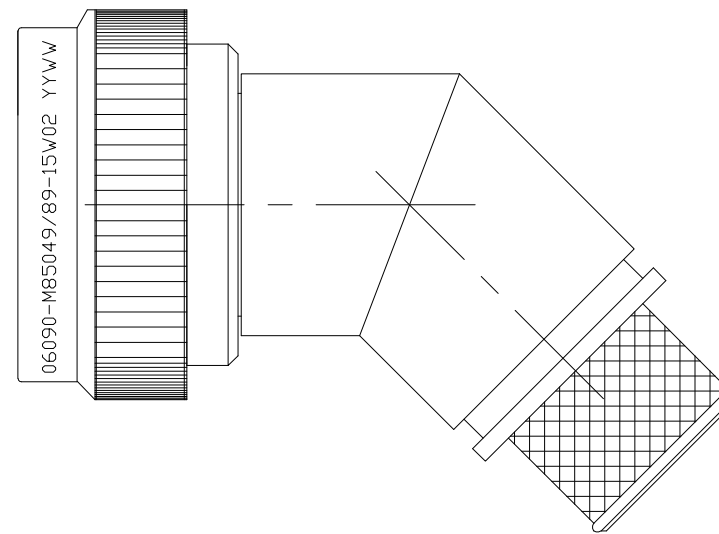
RELEASED FOR PUBLICATION

© COPYRIGHT - TE Connectivity

ALL RIGHTS RESERVED.

REVISIONS

| P | LTR | DESCRIPTION           | DATE   | DWN | APVD |
|---|-----|-----------------------|--------|-----|------|
|   | C   | REV PER ECO 17-004921 | 6-6-17 | CT  | EH   |



SELF-LOCKING  
SHIELD BAND TERMINATION  
SHRINK BOOT ACCOMMODATION 45°  
ADAPTER

1. THIS PRODUCT IS DESIGNED TO TERMINATE A BRAIDED CABLE SHIELD AND A HEAT SHRINKABLE LIPPED BOOT TO A CONNECTOR, AND DESIGNED TO MEET PERFORMANCE REQUIREMENT OF AS85049/89.
2. ALL COMPONENTS SHALL BE PACKAGED AND SUPPLIED IN A PLASTIC BAG AND LABELED WITH M85049/89 DESIGNATION e. g. M85049/89-15W02.
3. PART SUPPLIED WITH STANDARD DETENTED SELF-LOCKING WHICH PROVIDES A POSITIVE AUDIBLE DETENTED COUPLING.
4. THIS ADAPTER MATES TO CONNECTOR MIL-DTL-38999 SERIES III AND MIL-DTL-38999 SERIES IV.
5. FOR MATERIAL AND FINISH INFORMATION REFER TO R85049.  
FOR ALTERNATIVE MATERIALS AND PLATING FINISHES CONTACT TE CONNECTIVITY.

|  |     |                                |  |                 |                    |                           |                    |       |     |       |     |        |     |                   |                       |  |  |
|--|-----|--------------------------------|--|-----------------|--------------------|---------------------------|--------------------|-------|-----|-------|-----|--------|-----|-------------------|-----------------------|--|--|
| THIS DRAWING IS A CONTROLLED DOCUMENT.   |     | DWN<br>C.C.THOMAS<br>06JUN2017 |  |                 |                    |                           |                    |       |     |       |     |        |     |                   |                       |  |  |
| DIMENSIONS:<br>INCHES  |     | CHK<br>E.HALEY<br>6-6-17       |  |                 |                    |                           |                    |       |     |       |     |        |     |                   |                       |  |  |
| TOLERANCES UNLESS OTHERWISE SPECIFIED:   |     | APVD<br>E.HALEY<br>6-6-17      | NAME<br>BACKSHELL, 45°, SELF-LOCKING, SHIELD BAND TERMINATION, SHRINK BOOT ADAPTER |                 |                    |                           |                    |       |     |       |     |        |     |                   |                       |  |  |
| <table border="0"> <tr><td>0 PLC</td><td>± -</td></tr> <tr><td>1 PLC</td><td>± -</td></tr> <tr><td>2 PLC</td><td>± -</td></tr> <tr><td>3 PLC</td><td>± -</td></tr> <tr><td>4 PLC</td><td>± -</td></tr> <tr><td>ANGLES</td><td>± -</td></tr> </table> |     | 0 PLC                          | ± -  | 1 PLC           | ± -                | 2 PLC                     | ± -                | 3 PLC | ± - | 4 PLC | ± - | ANGLES | ± - | PRODUCT SPEC<br>- | APPLICATION SPEC<br>- |  |  |
| 0 PLC  | ± - |                                |  |                 |                    |                           |                    |       |     |       |     |        |     |                   |                       |  |  |
| 1 PLC  | ± - |                                |  |                 |                    |                           |                    |       |     |       |     |        |     |                   |                       |  |  |
| 2 PLC  | ± - |                                |  |                 |                    |                           |                    |       |     |       |     |        |     |                   |                       |  |  |
| 3 PLC  | ± - |                                |  |                 |                    |                           |                    |       |     |       |     |        |     |                   |                       |  |  |
| 4 PLC  | ± - |                                |  |                 |                    |                           |                    |       |     |       |     |        |     |                   |                       |  |  |
| ANGLES   | ± - |                                |  |                 |                    |                           |                    |       |     |       |     |        |     |                   |                       |  |  |
| MATERIAL<br>-  |     | FINISH<br>-                    | WEIGHT<br>0  | SIZE<br>A3      | CAGE CODE<br>06090 | DRAWING NO<br>C-R85049/89 | RESTRICTED TO<br>- |       |     |       |     |        |     |                   |                       |  |  |
| CUSTOMER DRAWING   |     |                                | SCALE<br>NTS   | SHEET<br>1 OF 3 | REV<br>C           |                           |                    |       |     |       |     |        |     |                   |                       |  |  |

THIS DRAWING IS UNPUBLISHED.

RELEASED FOR PUBLICATION

REVISIONS

© COPYRIGHT - TE Connectivity

ALL RIGHTS RESERVED.

| P | LTR | DESCRIPTION | DATE | DWN | APVD |
|---|-----|-------------|------|-----|------|
| - | -   | SEE SHEET 1 | -    | -   | -    |



PART NUMBERING

R85049/89 - 15 W 02

- SPECIFICATION SHEET
- CONFIGURATION:
  - (DASH) DETENTED SELF-LOCKING
- ORDER NO.
- FINISH
- ENTRY SIZE

|  |             |                                |   |                    |                           |                    |     |       |     |       |     |        |     |                   |                       |  |  |
|--|-------------|--------------------------------|---|--------------------|---------------------------|--------------------|-----|-------|-----|-------|-----|--------|-----|-------------------|-----------------------|--|--|
| THIS DRAWING IS A CONTROLLED DOCUMENT.   |             | DWN<br>C.C.THOMAS<br>06JUN2017 | <b>TE Connectivity</b>  |                    |                           |                    |     |       |     |       |     |        |     |                   |                       |  |  |
| DIMENSIONS:<br>INCHES  |             | CHK<br>E.HALEY<br>6-6-17       |   |                    |                           |                    |     |       |     |       |     |        |     |                   |                       |  |  |
| TOLERANCES UNLESS OTHERWISE SPECIFIED:   |             | APVD<br>E.HALEY<br>6-6-17      | NAME<br>BACKSHELL, 45°, SELF-LOCKING, SHIELD BAND<br>TERMINATION, SHRINK BOOT ADAPTER |                    |                           |                    |     |       |     |       |     |        |     |                   |                       |  |  |
| <table border="0"> <tr> <td>0 PLC</td><td>± -</td> </tr> <tr> <td>1 PLC</td><td>± -</td> </tr> <tr> <td>2 PLC</td><td>± -</td> </tr> <tr> <td>3 PLC</td><td>± -</td> </tr> <tr> <td>4 PLC</td><td>± -</td> </tr> <tr> <td>ANGLES</td><td>± -</td> </tr> </table> |             | 0 PLC                          | ± -   | 1 PLC              | ± -                       | 2 PLC              | ± - | 3 PLC | ± - | 4 PLC | ± - | ANGLES | ± - | PRODUCT SPEC<br>- | APPLICATION SPEC<br>- |  |  |
| 0 PLC  | ± -         |                                |   |                    |                           |                    |     |       |     |       |     |        |     |                   |                       |  |  |
| 1 PLC  | ± -         |                                |   |                    |                           |                    |     |       |     |       |     |        |     |                   |                       |  |  |
| 2 PLC  | ± -         |                                |   |                    |                           |                    |     |       |     |       |     |        |     |                   |                       |  |  |
| 3 PLC  | ± -         |                                |   |                    |                           |                    |     |       |     |       |     |        |     |                   |                       |  |  |
| 4 PLC  | ± -         |                                |   |                    |                           |                    |     |       |     |       |     |        |     |                   |                       |  |  |
| ANGLES   | ± -         |                                |   |                    |                           |                    |     |       |     |       |     |        |     |                   |                       |  |  |
| MATERIAL<br>-  | FINISH<br>- | WEIGHT<br>-                    | SIZE<br>A3  | CAGE CODE<br>06090 | DRAWING NO<br>C-R85049/89 | RESTRICTED TO<br>- |     |       |     |       |     |        |     |                   |                       |  |  |
| CUSTOMER DRAWING   |             |                                | SCALE<br>NTS  | SHEET<br>2 OF 3    | REV<br>C                  |                    |     |       |     |       |     |        |     |                   |                       |  |  |

THIS DRAWING IS UNPUBLISHED. RELEASED FOR PUBLICATION  
 © COPYRIGHT - TE Connectivity ALL RIGHTS RESERVED.


| REVISIONS |     |             |      |     |      |
|-----------|-----|-------------|------|-----|------|
| P         | LTR | DESCRIPTION | DATE | DWN | APVD |
| -         | -   | SEE SHEET 1 | -    | -   | -    |

TABLE I - SHELL SIZE AND DIMENSIONS

| ORDER NUMBER | SHELL SIZE | ØA MAX      | ØB ±.010 ENTRY SIZE |             | ØC REF     |             |
|--------------|------------|-------------|---------------------|-------------|------------|-------------|
|              |            |             | 02                  | 03          | 02         | 03          |
| 9            | A          | .86 (21.8)  | N/A                 | .25 (6.4)   | N/A        | .39 (10.0)  |
| 11           | B          | .98 (25.0)  | N/A                 | .31 (7.9)   | N/A        | .46 (11.6)  |
| 13           | C          | 1.16 (29.4) | .31 (7.9)           | .44 (11.1)  | .46 (11.6) | .58 (14.8)  |
| 15           | D          | 1.28 (32.5) | .44 (11.1)          | .56 (14.3)  | .58 (14.8) | .71 (18.0)  |
| 17           | E          | 1.41 (35.7) | .50 (12.7)          | .62 (15.9)  | .64 (16.4) | .77 (19.6)  |
| 19           | F          | 1.52 (38.5) | .62 (15.9)          | .75 (19.1)  | .77 (19.6) | .89 (22.7)  |
| 21           | G          | 1.64 (41.7) | .62 (15.9)          | .81 (20.6)  | .77 (19.6) | .96 (24.3)  |
| 23           | H          | 1.77 (44.9) | .69 (17.5)          | .94 (23.8)  | .83 (21.1) | 1.08 (27.5) |
| 25           | J          | 1.89 (48.0) | .75 (19.1)          | 1.00 (25.4) | .89 (22.7) | 1.14 (29.1) |

TABLE I - SHELL SIZE AND DIMENSIONS (CONTINUED)

| ORDER NUMBER | SHELL SIZE | D MAX       | E MAX       | G MAX       |             | F REF       |             |
|--------------|------------|-------------|-------------|-------------|-------------|-------------|-------------|
|              |            |             |             | 02          | 03          | 02          | 03          |
| 9            | A          | 1.01 (25.7) | 1.16 (29.5) | N/A         | 1.97 (50.0) | N/A         | 2.22 (56.3) |
| 11           | B          | 1.03 (26.2) | 1.19 (30.2) | N/A         | 2.03 (51.6) | N/A         | 2.28 (57.9) |
| 13           | C          | 1.06 (26.9) | 1.21 (30.7) | 2.08 (52.8) | 2.12 (53.9) | 2.33 (59.1) | 2.37 (60.2) |
| 15           | D          | 1.08 (27.4) | 1.24 (31.5) | 2.16 (54.9) | 2.21 (56.1) | 2.41 (61.2) | 2.46 (62.4) |
| 17           | E          | 1.11 (28.2) | 1.26 (32.0) | 2.23 (56.6) | 2.27 (57.7) | 2.48 (62.9) | 2.52 (64.0) |
| 19           | F          | 1.12 (28.4) | 1.27 (32.3) | 2.29 (58.2) | 2.33 (59.3) | 2.54 (64.5) | 2.58 (65.6) |
| 21           | G          | 1.15 (29.2) | 1.30 (33.0) | 2.34 (59.5) | 2.41 (61.2) | 2.59 (65.8) | 2.66 (67.5) |
| 23           | H          | 1.17 (29.7) | 1.33 (33.8) | 2.40 (61.1) | 2.49 (63.3) | 2.65 (67.4) | 2.74 (69.6) |
| 25           | J          | 1.20 (30.5) | 1.35 (34.3) | 2.47 (62.8) | 2.56 (65.0) | 2.72 (69.1) | 2.81 (71.3) |

|   |  |   |   |                   |                       |                           |                    |
|---|--|---|---|-------------------|-----------------------|---------------------------|--------------------|
| THIS DRAWING IS A CONTROLLED DOCUMENT.  |  | DWN<br>C.C.THOMAS<br>06JUN2017  | <b>STE</b> TE Connectivity  |                   |                       |                           |                    |
| DIMENSIONS:<br>INCHES   |  | CHK<br>E.HALEY<br>6-6-17  |   |                   |                       |                           |                    |
|  |  | APVD<br>E.HALEY<br>6-6-17   | NAME<br>BACKSHELL, 45°, SELF-LOCKING, SHIELD BAND<br>TERMINATION, SHRINK BOOT ADAPTER |                   |                       |                           |                    |
|   |  | TOLERANCES UNLESS OTHERWISE SPECIFIED:<br>0 PLC ± -<br>1 PLC ± -<br>2 PLC ± -<br>3 PLC ± -<br>4 PLC ± -<br>ANGLES ± - |   | PRODUCT SPEC<br>- | APPLICATION SPEC<br>- |                           |                    |
| MATERIAL<br>-   |  | FINISH<br>-   | WEIGHT<br>-   | SIZE<br>A3        | CAGE CODE<br>06090    | DRAWING NO<br>C-R85049/89 | RESTRICTED TO<br>- |
| CUSTOMER DRAWING  |  |   | SCALE<br>NTS  | SHEET<br>3 OF 3   | REV<br>C              |                           |                    |

## Данный компонент на территории Российской Федерации

### Вы можете приобрести в компании MosChip.

Для оперативного оформления запроса Вам необходимо перейти по данной ссылке:

<http://moschip.ru/get-element>

Вы можете разместить у нас заказ для любого Вашего проекта, будь то серийное производство или разработка единичного прибора.

В нашем ассортименте представлены ведущие мировые производители активных и пассивных электронных компонентов.

Нашей специализацией является поставка электронной компонентной базы двойного назначения, продукции таких производителей как XILINX, Intel (ex.ALTERA), Vicor, Microchip, Texas Instruments, Analog Devices, Mini-Circuits, Amphenol, Glenair.

Сотрудничество с глобальными дистрибьюторами электронных компонентов, предоставляет возможность заказывать и получать с международных складов практически любой перечень компонентов в оптимальные для Вас сроки.

На всех этапах разработки и производства наши партнеры могут получить квалифицированную поддержку опытных инженеров.

Система менеджмента качества компании отвечает требованиям в соответствии с ГОСТ Р ИСО 9001, ГОСТ РВ 0015-002 и ЭС РД 009

### Офис по работе с юридическими лицами:

105318, г.Москва, ул.Щербаковская д.3, офис 1107, 1118, ДЦ «Щербаковский»

Телефон: +7 495 668-12-70 (многоканальный)

Факс: +7 495 668-12-70 (доб.304)

E-mail: [info@moschip.ru](mailto:info@moschip.ru)

Skype отдела продаж:

moschip.ru

moschip.ru\_4

moschip.ru\_6

moschip.ru\_9