

| REVISIONS | | | | | |
|-----------|-----|---------------------------|-----------|-----|------|
| P | LTR | DESCRIPTION | DATE | DWN | APVD |
| | A5 | REVISED PER ECO-16-018632 | 05APR2017 | SK | PO |

SPECIFICATIONS:

MATERIALS:

CASE, PPS, UL94 V-0, BROWN
 ACTUATOR, NYLON, UL94V-0, SEE P/N TABLE FOR FINISH
 COVER, STEEL, TIN FINISH
 TERMINAL/FIXED CONTACT, COPPER ALLOY-SILVER FINISH
 MOVING CONTACT, STAINLESS STEEL-SILVER FINISH

ELECTRICAL:

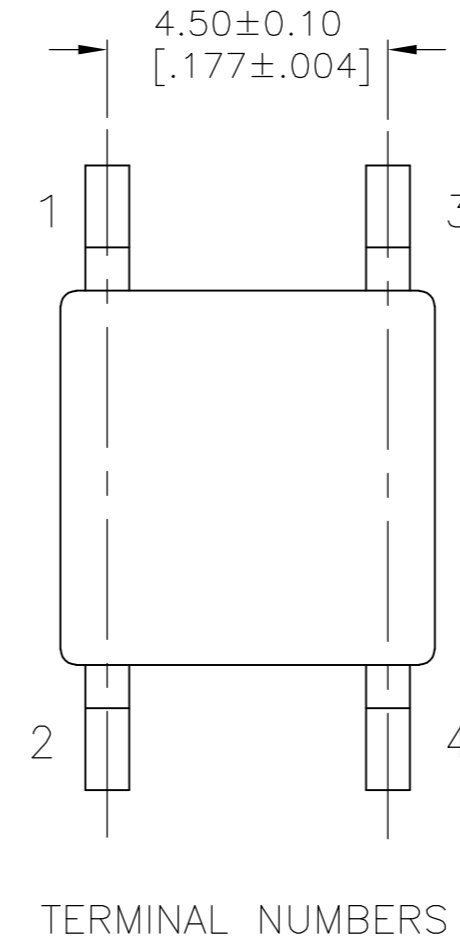
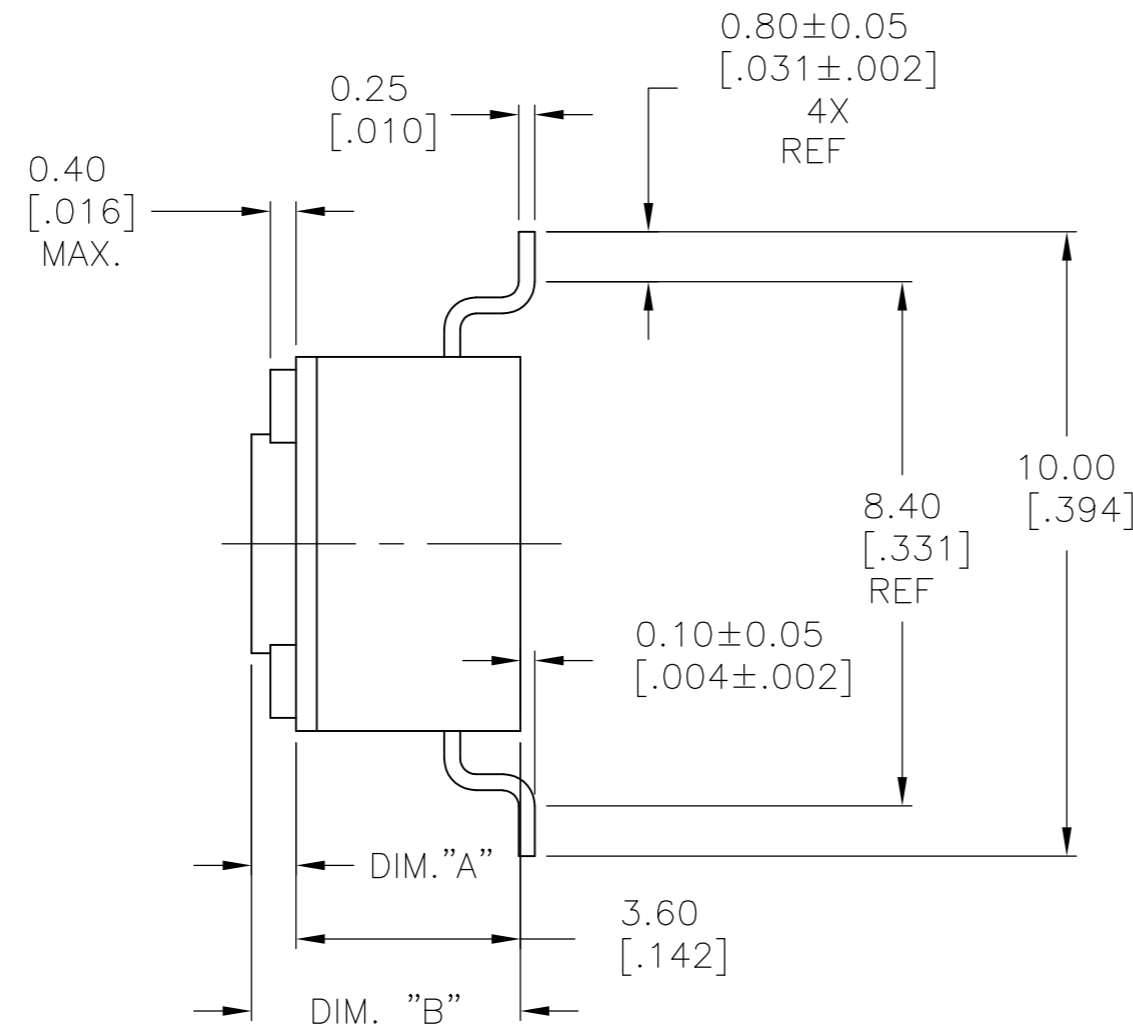
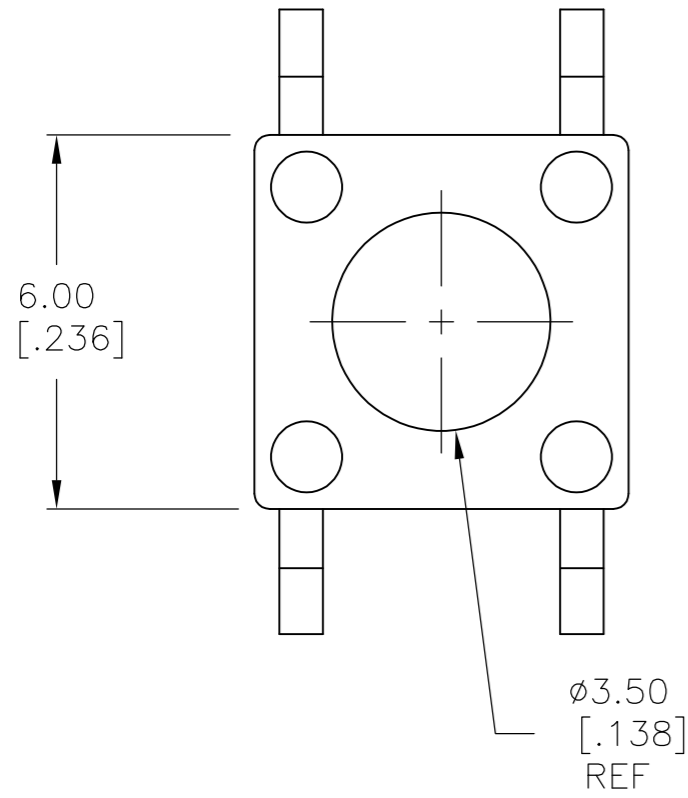
MAX CONTACT RATING, 50MILLIAMP@24V DC
 MIN CONTACT RATING, 1MICROAMP@1V DC
 CONTACT RESISTANCE, 100 MILLIOHMS MAX
 INSULATION RESISTANCE, 100 MEGOHM MIN.
 DIELECTRIC STRENGTH, 500 V AC FOR 1 MINUTE
 LIFE EXPECTANCY, 1,000,000 CYCLES

MECHANICAL:

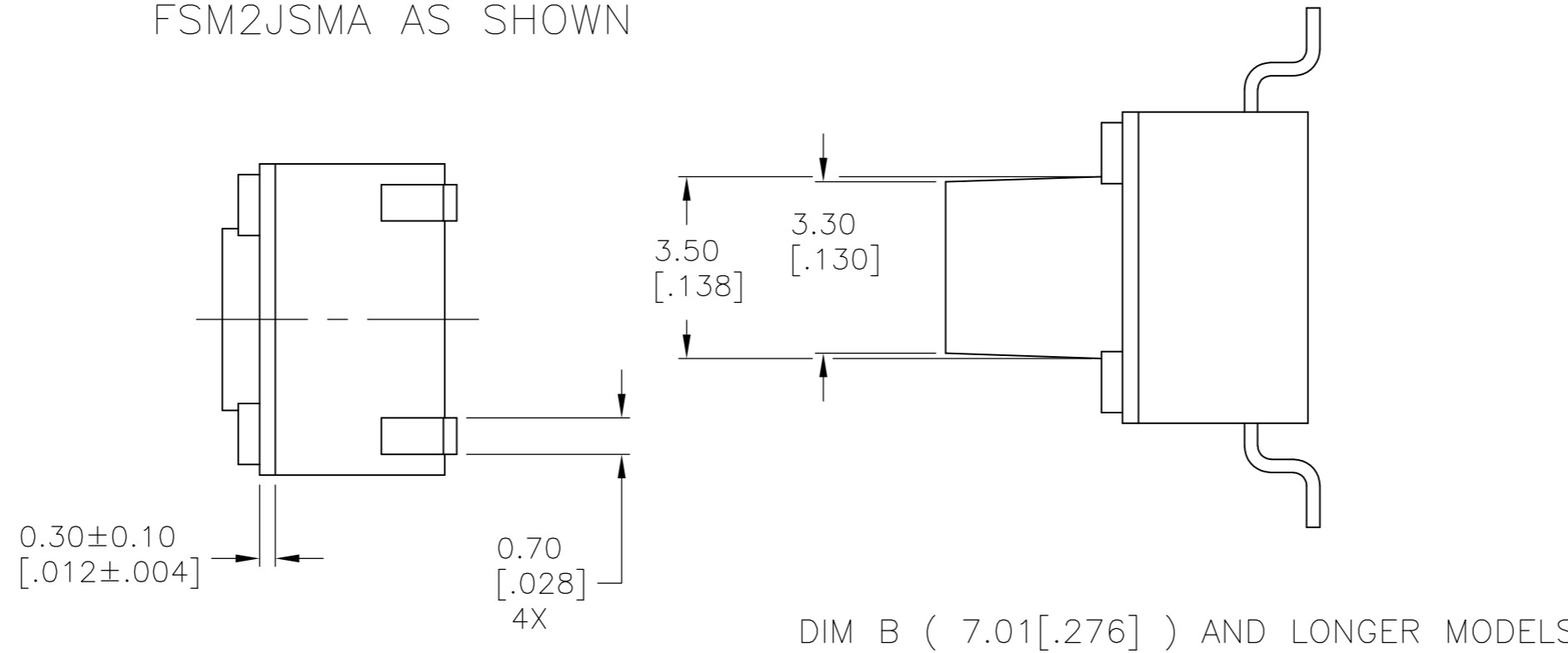
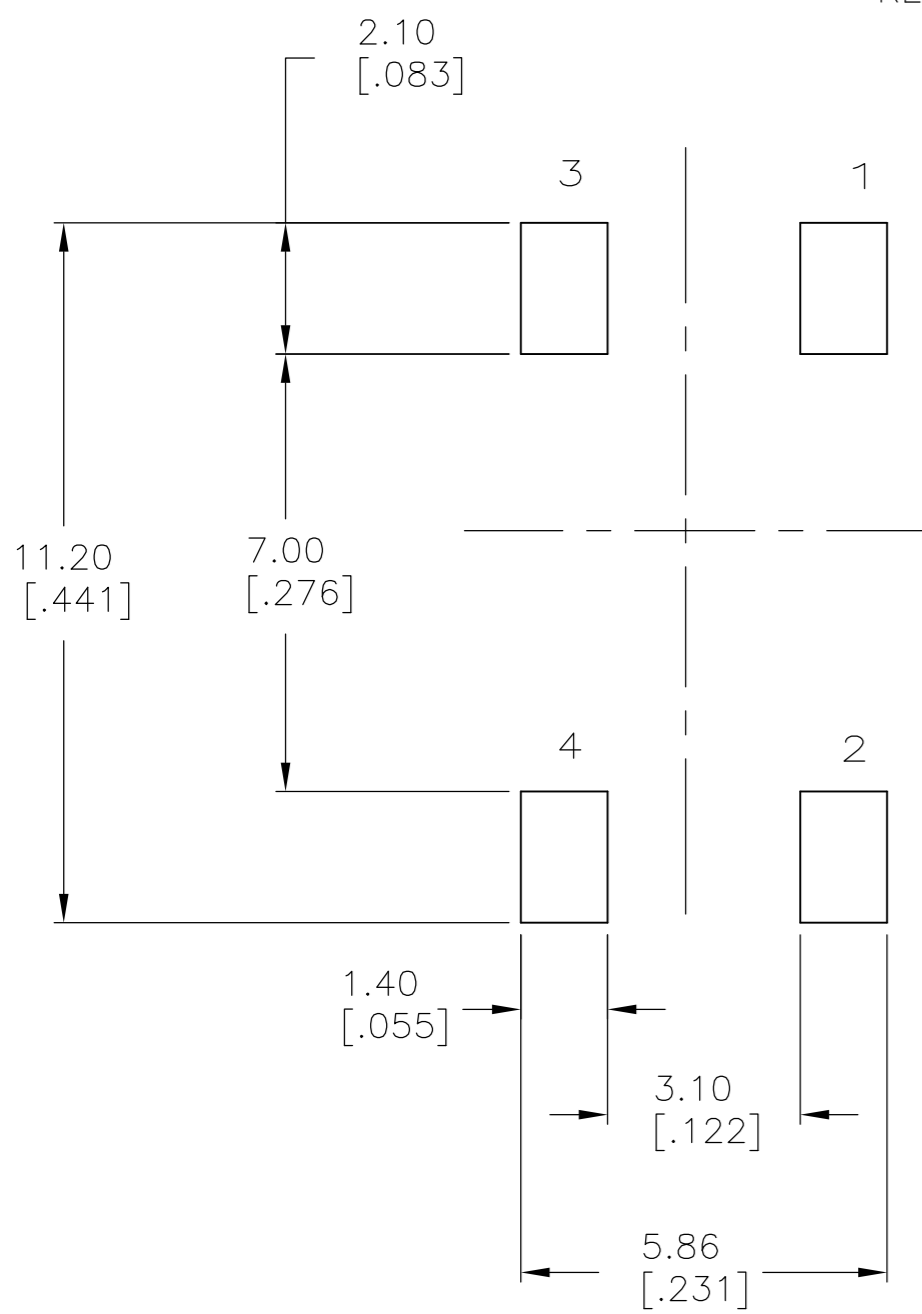
ACTUATION FORCE, SEE P/N TABLE
 ACTUATION TRAVEL, 0.25 +0.20/-0.10
 LIFE EXPECTANCY, 1,000,000,
 (2 CYCLES PER SECOND AND 150% ACTUATION FORCE)

ENVIRONMENTAL:

OPERATING TEMPERATURE, -40 TO +105° C
 STORAGE TEMPERATURE, -40 TO +105° C
 SOLDERABILITY, EIA-RS-186-9E, OR MIL-STD-202F
 RESISTANCE TO SOLDER HEAT, 260° C FOR 10SEC-PER 109-201, COND B
 1. NO CHANGE IN INITIAL ELECTRICAL AND MECHANICAL CHARACTERISTICS



FSM2JSMA AS SHOWN



NOTES:

- TAPE AND REEL PACKAGING PER EIA 481.
- ALL MATERIALS AND FINISHES SHALL COMPLY WITH EU DIRECTIVE 2002/95/EC OF 27JAN2003 (ROHS)

| ()-INDICATES MOMENTARY POSITION | | |
|----------------------------------|-----------------|--|
| CIRCUIT CHARACTERISTICS | | |
| CONTACT POSITION | CIRCUIT DIAGRAM | |
| OFF | (ON) | |
| | 1 - 3 2 - 4 | |


| | | | | | | | | | |
|---|--|------------------|----------|-----------|-----|-----------------|------------|---------------|----|
| THIS DRAWING IS A CONTROLLED DOCUMENT. | | DWN | M.BINNER | 07NOV2007 | | TE Connectivity | | | |
| DIMENSIONS: mm [INCHES] | | CHK | M.SARVER | 07NOV07 | | NAME | | | |
| TOLERANCES UNLESS OTHERWISE SPECIFIED: | | APVD | M.SARVER | 07NOV07 | | PRODUCT SPEC | | | |
| 0 PLC ± - 1 PLC ± - 2 PLC ± 0.30[.012] 3 PLC ± - 4 PLC ± - ANGLES ± 1° | | APPLICATION SPEC | | SIZE | | CAGE CODE | DRAWING NO | RESTRICTED TO | |
| MATERIAL | | FINISH | | WEIGHT | 0 | A2 | 00779 | C=1977223 | |
| CUSTOMER DRAWING | | | | SCALE | 8:1 | SHEET | 1 OF 2 | REV | A5 |

THIS DRAWING IS UNPUBLISHED. RELEASED FOR PUBLICATION 2-1437565-7, 2-1437565-7
 © COPYRIGHT 2-1437565-7 ALL RIGHTS RESERVED.

| REVISIONS | | | | | |
|-----------|-----|-------------|------|-----|------|
| P | LTR | DESCRIPTION | DATE | DWN | APVD |
| - | - | SEE SHEET 1 | - | - | - |

| Life Cycle | Actuator Color | Actuator Material | Actuation Force | PITCH | TAPE WIDTH | DIM B | DIM A | T&B P/N | P/N | |
|-------------------------|----------------|-------------------|-----------------|---------|------------|-----------------------|----------------------|----------------------|-------------|-----------|
| 1,000,000 | DEEP PINK | Nylon | 260±50g | | | 13.00±0.20[.512±.008] | 9.40±0.10[.370±.004] | FSM14JSMAAS | 2-1977223-9 | |
| 1,000,000 | GREEN | Nylon | 260±50g | | | 13.00±0.20[.512±.008] | 9.40±0.10[.370±.004] | FSM14JSMAS | 2-1977223-8 | |
| 1,000,000 | BLUE | Nylon | 100±30g | | | 13.00±0.20[.512±.008] | 9.40±0.10[.370±.004] | FSM14JSMLS | 2-1977223-7 | |
| 1,000,000 | DEEP PINK | Nylon | 260±50g | 12 MM | 24 MM | 9.50±0.20[.374±.008] | 5.89±0.10[.232±.004] | FSM8JSMAASTR | 2-1977223-6 | |
| OBSOLETE | DEEP PINK | Nylon | 260±50g | | | 9.50±0.20[.374±.008] | 5.89±0.10[.232±.004] | FSM8JSMAAS | 2-1977223-5 | |
| 1,000,000 | GREEN | Nylon | 160±50g | 12 MM | 24 MM | 9.50±0.20[.374±.008] | 5.89±0.10[.232±.004] | FSM8JSMAS | 2-1977223-4 | |
| OBSOLETE | GREEN | Nylon | 160±50g | | | 9.50±0.20[.374±.008] | 5.89±0.10[.232±.004] | FSM8JSMASTR | 2-1977223-3 | |
| 1,000,000 | BLUE | Nylon | 100±30g | 12 MM | 24 MM | 9.50±0.20[.374±.008] | 5.89±0.10[.232±.004] | FSM8JSMLSTR | 2-1977223-2 | |
| OBSOLETE | BLUE | Nylon | 100±30g | | | 9.50±0.20[.374±.008] | 5.89±0.10[.232±.004] | FSM8JSMLS | 2-1977223-1 | |
| 1,000,000 | DEEP PINK | Nylon | 260±50g | 12 MM | 24 MM | 7.01±0.20[.276±.008] | 3.40±0.10[.134±.004] | FSM6JSMAASTR | 2-1977223-0 | |
| 1,000,000 | DEEP PINK | Nylon | 260±50g | | | 7.01±0.20[.276±.008] | 3.40±0.10[.134±.004] | FSM6JSMAAS | 1-1977223-9 | |
| OBSOLETE | GREEN | Nylon | 160±50g | 12 MM | 24 MM | 7.01±0.20[.276±.008] | 3.40±0.10[.134±.004] | FSM6JSMAS | 1-1977223-8 | |
| OBSOLETE | GREEN | Nylon | 160±50g | | | 7.01±0.20[.276±.008] | 3.40±0.10[.134±.004] | FSM6JSMASTR | 1-1977223-7 | |
| 1,000,000 | BLUE | Nylon | 100±30g | 12 MM | 24 MM | 7.01±0.20[.276±.008] | 3.40±0.10[.134±.004] | FSM6JSMLSTR | 1-1977223-6 | |
| 1,000,000 | BLUE | Nylon | 100±30g | | | 7.01±0.20[.276±.008] | 3.40±0.10[.134±.004] | FSM6JSMLS | 1-1977223-5 | |
| OBSOLETE | VIOLET | Nylon | 70±30g | 12 MM | 16 MM | 4.98±0.25[.196±.010] | 1.40±0.10[.055±.004] | FSM4JSMXLSTR | 1-1977223-4 | |
| OBSOLETE | VIOLET | Nylon | 70±30g | | | 4.98±0.25[.196±.010] | 1.40±0.10[.055±.004] | FSM4JSMXLS | 1-1977223-3 | |
| OBSOLETE | DEEP PINK | Nylon | 260±50g | 12 MM | 16 MM | 4.98±0.25[.196±.010] | 1.40±0.10[.055±.004] | FSM4JSMAASTR | 1-1977223-2 | |
| OBSOLETE | DEEP PINK | Nylon | 260±50g | | | 4.98±0.25[.196±.010] | 1.40±0.10[.055±.004] | FSM4JSMAAS | 1-1977223-1 | |
| 1,000,000 | GREEN | Nylon | 160±50g | 12 MM | 16 MM | 4.98±0.25[.196±.010] | 1.40±0.10[.055±.004] | FSM4JSMAS | 1977223-9 | |
| 1,000,000 | GREEN | Nylon | 160±50g | | | 4.98±0.25[.196±.010] | 1.40±0.10[.055±.004] | FSM4JSMASTR | 1-1977223-0 | |
| SUPERCEDED BY 1571563-8 | 1,000,000 | BLUE | Nylon | 100±30g | 12 MM | 16 MM | 4.98±0.25[.196±.010] | 1.40±0.10[.055±.004] | FSM4JSMLSTR | 1977223-8 |
| SUPERCEDED BY 1571563-7 | 1,000,000 | BLUE | Nylon | 100±30g | | | 4.98±0.25[.196±.010] | 1.40±0.10[.055±.004] | FSM4JSMLS | 1977223-7 |
| 1,000,000 | DEEP PINK | Nylon | 260±50g | 12 MM | 16 MM | 4.29±0.20[.169±.008] | 0.71±0.10[.028±.004] | FSM2JSMAASTR | 1977223-6 | |
| 1,000,000 | DEEP PINK | Nylon | 260±50g | | | 4.29±0.20[.169±.008] | 0.71±0.10[.028±.004] | FSM2JSMAAS | 1977223-5 | |
| 1,000,000 | GREEN | Nylon | 160±50g | 12 MM | 16 MM | 4.29±0.20[.169±.008] | 0.71±0.10[.028±.004] | FSM2JSMAS | 1977223-4 | |
| 1,000,000 | GREEN | Nylon | 160±50g | | | 4.29±0.20[.169±.008] | 0.71±0.10[.028±.004] | FSM2JSMASTR | 1977223-3 | |
| 1,000,000 | BLUE | Nylon | 100±30g | 12 MM | 16 MM | 4.29±0.20[.169±.008] | 0.71±0.10[.028±.004] | FSM2JSMLSTR | 1977223-2 | |
| 1,000,000 | BLUE | Nylon | 100±30g | | | 4.29±0.20[.169±.008] | 0.71±0.10[.028±.004] | FSM2JSMLS | 1977223-1 | |

SUPERCEDED BY 1571563-8
 SUPERCEDED BY 1571563-7

| | | | | |
|---|--|------------------------------|---|--------------------|
| THIS DRAWING IS A CONTROLLED DOCUMENT. | | DWN M.BINNER 07NOV2007 |  TE Connectivity | |
| DIMENSIONS: mm [INCHES] | | CHK M.SARVER 07NOV07 | | |
| TOLERANCES UNLESS OTHERWISE SPECIFIED: | | APVD M.SARVER 07NOV07 | NAME MICRO MINIATURE PUSHBUTTON SWITCH FSM JSM | |
| 0 PLC ± - 1 PLC ± - 2 PLC ± 0.30[.012] 3 PLC ± - 4 PLC ± - ANGLES ± 1° | | PRODUCT SPEC - | SIZE A2 | |
| MATERIAL - | | FINISH - | APPLICATION SPEC - | CAGE CODE 00779 |
| | | WEIGHT - | DRAWING NO C=1977223 | RESTRICTED TO - |
| CUSTOMER DRAWING | | | SCALE 8:1 | SHEET 2 OF 2 |
| | | | REV A5 | |

Данный компонент на территории Российской Федерации

Вы можете приобрести в компании MosChip.

Для оперативного оформления запроса Вам необходимо перейти по данной ссылке:

<http://moschip.ru/get-element>

Вы можете разместить у нас заказ для любого Вашего проекта, будь то серийное производство или разработка единичного прибора.

В нашем ассортименте представлены ведущие мировые производители активных и пассивных электронных компонентов.

Нашей специализацией является поставка электронной компонентной базы двойного назначения, продукции таких производителей как XILINX, Intel (ex.ALTERA), Vicor, Microchip, Texas Instruments, Analog Devices, Mini-Circuits, Amphenol, Glenair.

Сотрудничество с глобальными дистрибьюторами электронных компонентов, предоставляет возможность заказывать и получать с международных складов практически любой перечень компонентов в оптимальные для Вас сроки.

На всех этапах разработки и производства наши партнеры могут получить квалифицированную поддержку опытных инженеров.

Система менеджмента качества компании отвечает требованиям в соответствии с ГОСТ Р ИСО 9001, ГОСТ РВ 0015-002 и ЭС РД 009

Офис по работе с юридическими лицами:

105318, г.Москва, ул.Щербаковская д.3, офис 1107, 1118, ДЦ «Щербаковский»

Телефон: +7 495 668-12-70 (многоканальный)

Факс: +7 495 668-12-70 (доб.304)

E-mail: info@moschip.ru

Skype отдела продаж:

moschip.ru

moschip.ru_4

moschip.ru_6

moschip.ru_9