

4

3

2

1

THIS DRAWING IS UNPUBLISHED. RELEASED FOR PUBLICATION
 © COPYRIGHT - By - ALL RIGHTS RESERVED.

| LOC | DIST | REVISIONS | | | |
|-----|------|---------------------------|-----------|-----|------|
| P | LTR | DESCRIPTION | DATE | DWN | APVD |
| AD | 00 | | | | |
| A6 | | REVISED PER ECO-14-005988 | 23APR2014 | NK | RH |

TE LOGO
 RATING
 2A 250VAC
 5A 120VAC
 DATE CODE
 04-YEAR
 01-WEEK
 AND
 COUNTRY
 OF ORIGIN
 EPOXY SEAL
 4.83
 [.190]
 11.43
 [.450]
 12.70±0.38
 [.500±.015]
 FUNCTION
 ON ON
 ALCO
 IP 67
 9.40
 [.370]
 10.39
 [.409]
 4.70±0.41
 [.185±.016]

- ALL MATERIALS AND FINISHES SHALL COMPLY WITH EU DIRECTIVE 2002/95/EC OF 27JAN2003 (ROHS).
- G CONTACT OPTION CAN BE USED FOR SIGNAL OR POWER LEVEL SWITCHING. IF SWITCH IS USED AT LEVELS EXCEEDING .4VA @ 20V AC/DC, SWITCH IS RENDERED FOR POWER SWITCHING ONLY DUE TO ARC REMOVAL OF GOLD PLATING. RATING MARKED ON THE SWITCH IS 2A 250VAC, 5A 120VAC.
- TE LOGO
- SWITCHES MEET REQUIREMENTS OF IP67
- PANEL MOUNT ACTUATOR PIVOT SUPPLIED WITH C, W, W4, Z & Z3 TERMINATIONS. PC MOUNT ACTUATOR PIVOT SUPPLIED WITH A, AV2, V3 & V4 TERMINATIONS
- SP3T FUNCTION ACHIEVED WITH FUNCTIONS 11, 13 & 15 BY CUSTOMER APPLIED JUMPER BETWEEN TERMINALS 3 AND 5.
- DATE CODE AND COUNTRY OF ORIGIN MAY APPEAR ON EITHER SIDE OF SWITCH.
- ALL LOGO, RATING, DATE CODE, AND FUNCTION MARKINGS TO BE LASER MARKED.

FUNCTION CHART

| FUNCTION | | | |
|--|----------------|----------------|----------------|
| | 1 2 3 4 5 6 | 1 2 3 4 5 6 | 1 2 3 4 5 6 |
| 01 | ON | NONE | ON |
| 03 | ON | OFF | ON |
| 05 | (ON) | OFF | (ON) |
| 07 | ON | OFF | (ON) |
| 08 | ON | NONE | (ON) |
| TERMINALS CONNECTED | 2-3, 5-6 | --- | 1-2, 4-5 |
| 11 | ON | ON | ON |
| 13 | ON | ON | (ON) |
| 15 | (ON) | ON | (ON) |
| TERMINALS CONNECTED | 2-3, 5-6 | 2-3, 4-5 | 1-2, 4-5 |
| SP3T SCHEMATIC (11, 13 & 15 ONLY) NOTE 7 | | | |
| | IN 2, OUT 6 | IN 2, OUT 4 | IN 2, OUT 1 |

NONE: NO MECHANICAL POSITION
 OFF: MECHANICAL POSITION WITH NO ELECTRICAL CONNECTION
 (ON): MOMENTARY ACTION

SPECIFICATIONS

| | |
|---------------------------------|--|
| RATING, B CONTACTS | .4VA MAX @20V MAX. AC OR DC |
| RATING, G CONTACTS-SEE NOTE 2 | .4VA MAX @20V MAX. AC OR DC OR |
| | 5A @120 VAC OR 28 VDC (RESISTIVE) |
| RATING, Q CONTACTS | 2A @250 VAC (RESISTIVE) |
| | 5A @120 VAC OR 28 VDC (RESISTIVE) |
| ELECTRICAL LIFE | 6,000 CYCLES AT RATED LOAD |
| CONTACT RESISTANCE | 10 MILLIOHMS MAX INITIAL @ 2-4VDC, 100MA |
| INSULATION RESISTANCE | 1,000 MEGOHMS MIN |
| DIELECTRIC WITHSTANDING VOLTAGE | 1,000 V RMS AT SEA LEVEL |
| OPERATING TEMPRATURE | -30C TO 85C |

PART NUMBER SEQUENCE

| MODEL | FUNCTION | TOGGLE | TERMINAL | CONTACT | ACTUATOR COLOR | ROHS |
|-------|----------|--------|----------|---------|----------------|------|
| AE2 | | | | | | 04 |
| | 01 | J1 | A | B | 0 BLACK (STD) | |
| | 03 | J50 | AV2 | G | 1 BROWN | |
| | 05 | J2 | C | Q | 2 RED | |
| | 07 | J60 | V3 | | 3 ORANGE | |
| | 08 | | V4 | | 4 YELLOW | |
| | 11 | | W | | 5 GREEN | |
| | 13 | | W4 | | 6 BLUE | |
| | 15 | | Z | | 8 GRAY | |
| | | | Z3 | | 9 WHITE | |

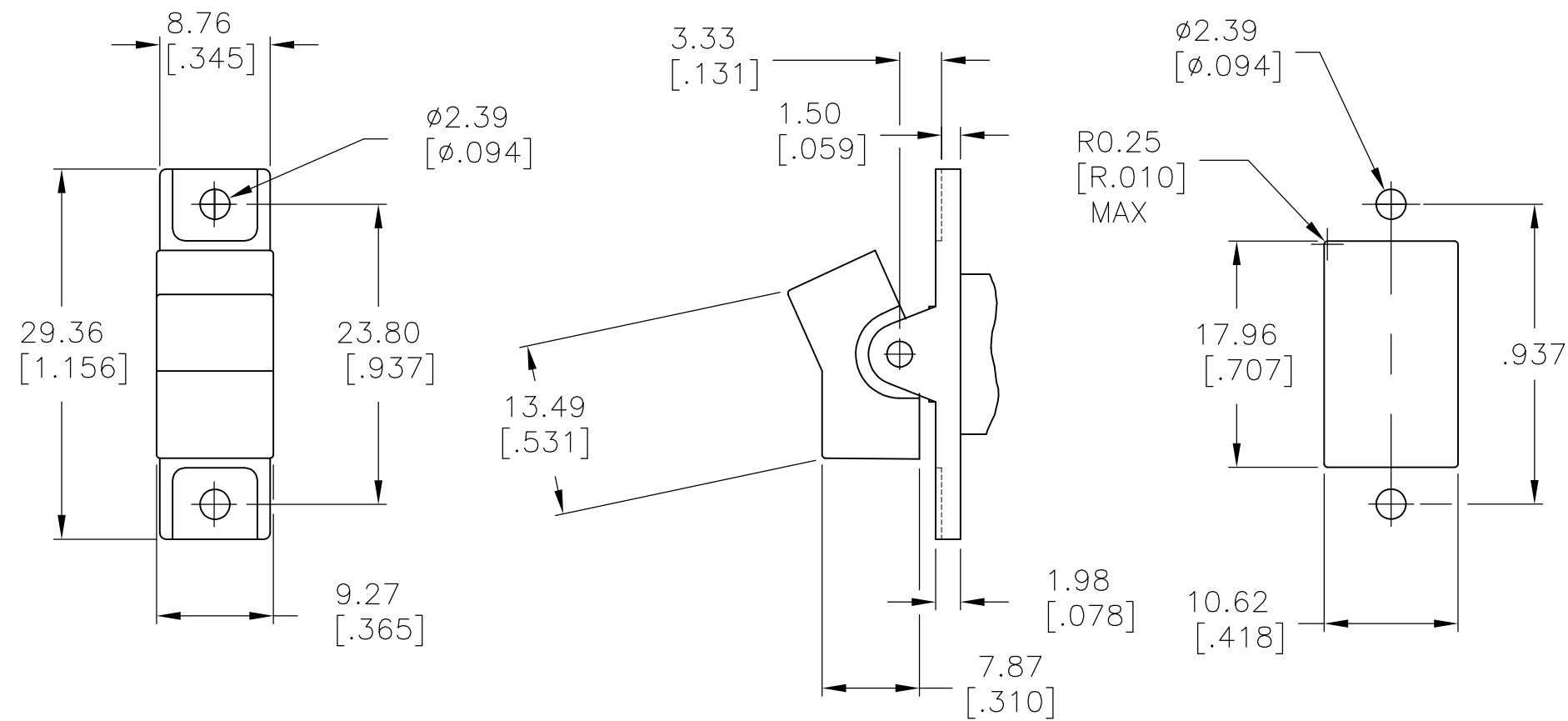
| | | | | |
|---|--|----------------------------|---|--------------------|
| THIS DRAWING IS A CONTROLLED DOCUMENT. | | DWN M.BINNER 06JAN05 | TE Connectivity | |
| DIMENSIONS: mm [INCHES] | | CHK M.ZITTO 06JAN05 | | |
| TOLERANCES UNLESS OTHERWISE SPECIFIED: | | APVD M.ZITTO 06JAN05 | NAME GEMINI AE SERIES ROCKER SWITCH DOUBLE POLE | |
| 0 PLC ± - 1 PLC ± - 2 PLC ± - 3 PLC ± .010 4 PLC ± - ANGLES ± 4° | | PRODUCT SPEC - | SIZE A2 | |
| MATERIAL - | | FINISH - | CAGE CODE 00779 | |
| | | WEIGHT - | DRAWING NO 1571989 | |
| | | CUSTOMER DRAWING | | RESTRICTED TO - |
| | | SCALE 2:1 | | SHEET 1 of 5 |
| | | REV A6 | | |

1471-9 (3/11)

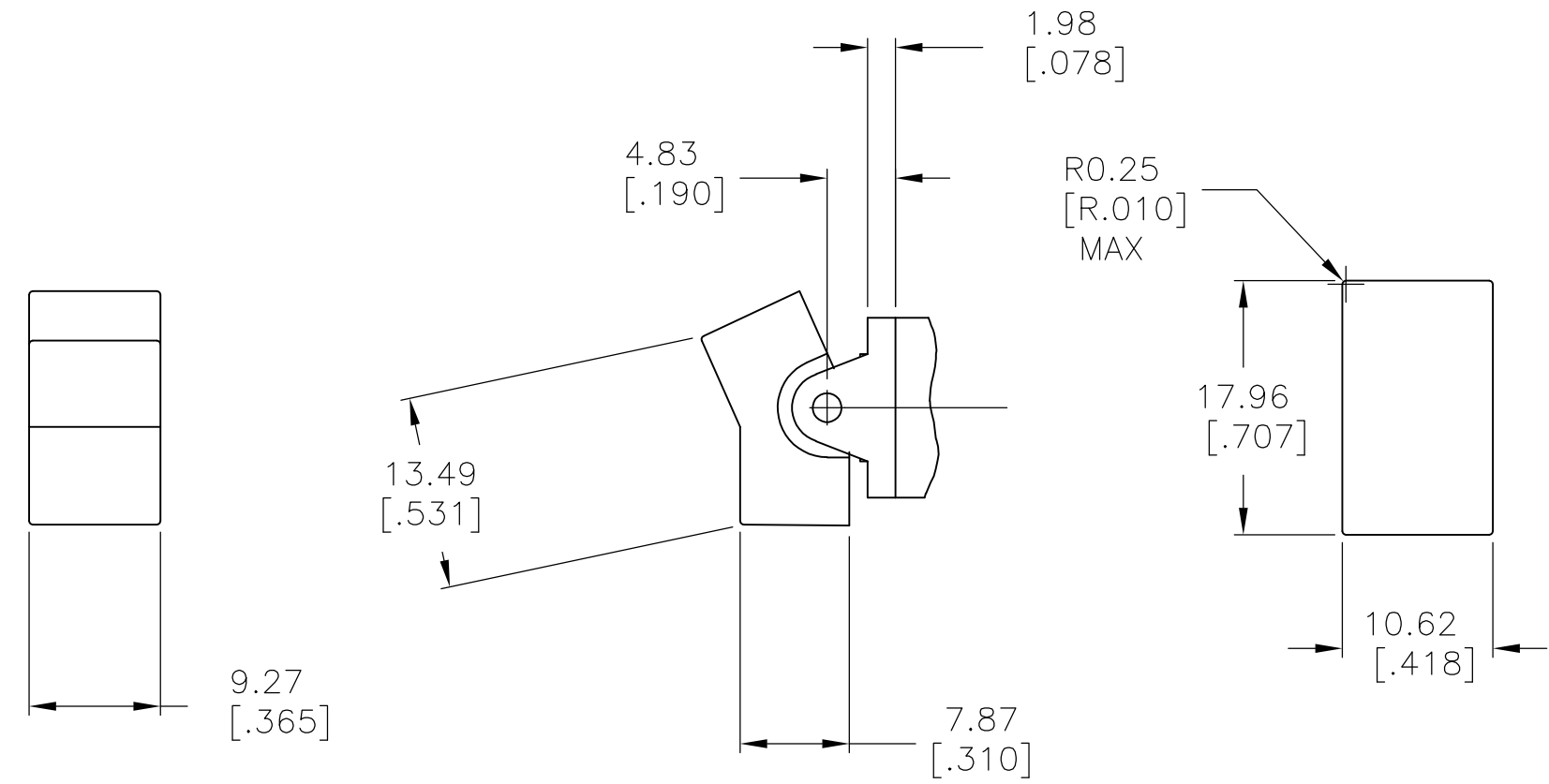
1571989

THIS DRAWING IS UNPUBLISHED. RELEASED FOR PUBLICATION
 © COPYRIGHT - By - ALL RIGHTS RESERVED.

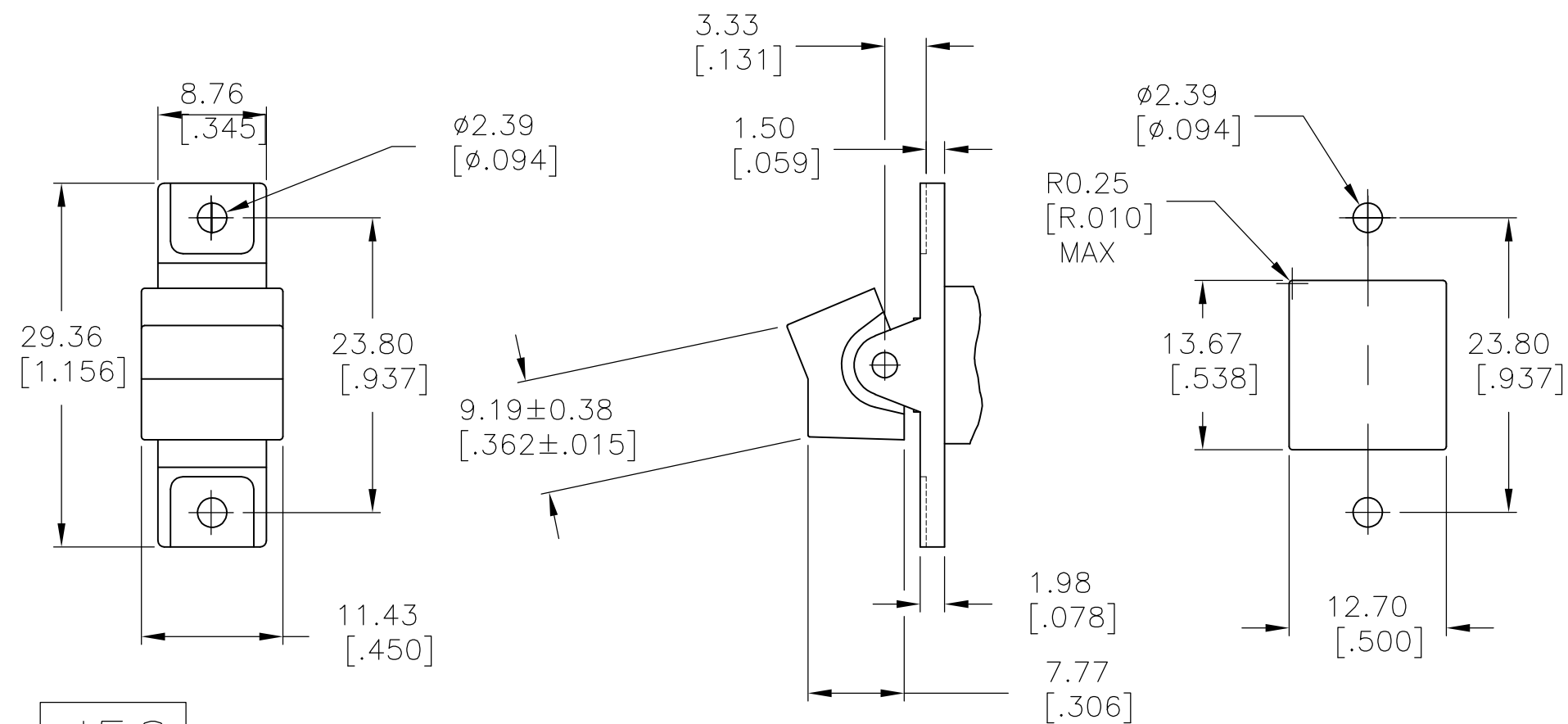
| LOC | DIST | REVISIONS | | | | | |
|-----|------|-----------|-----|-------------|------|-----|------|
| AD | 00 | P | LTR | DESCRIPTION | DATE | DWN | APVD |
| | | - | - | SEE SHEET 1 | - | - | - |



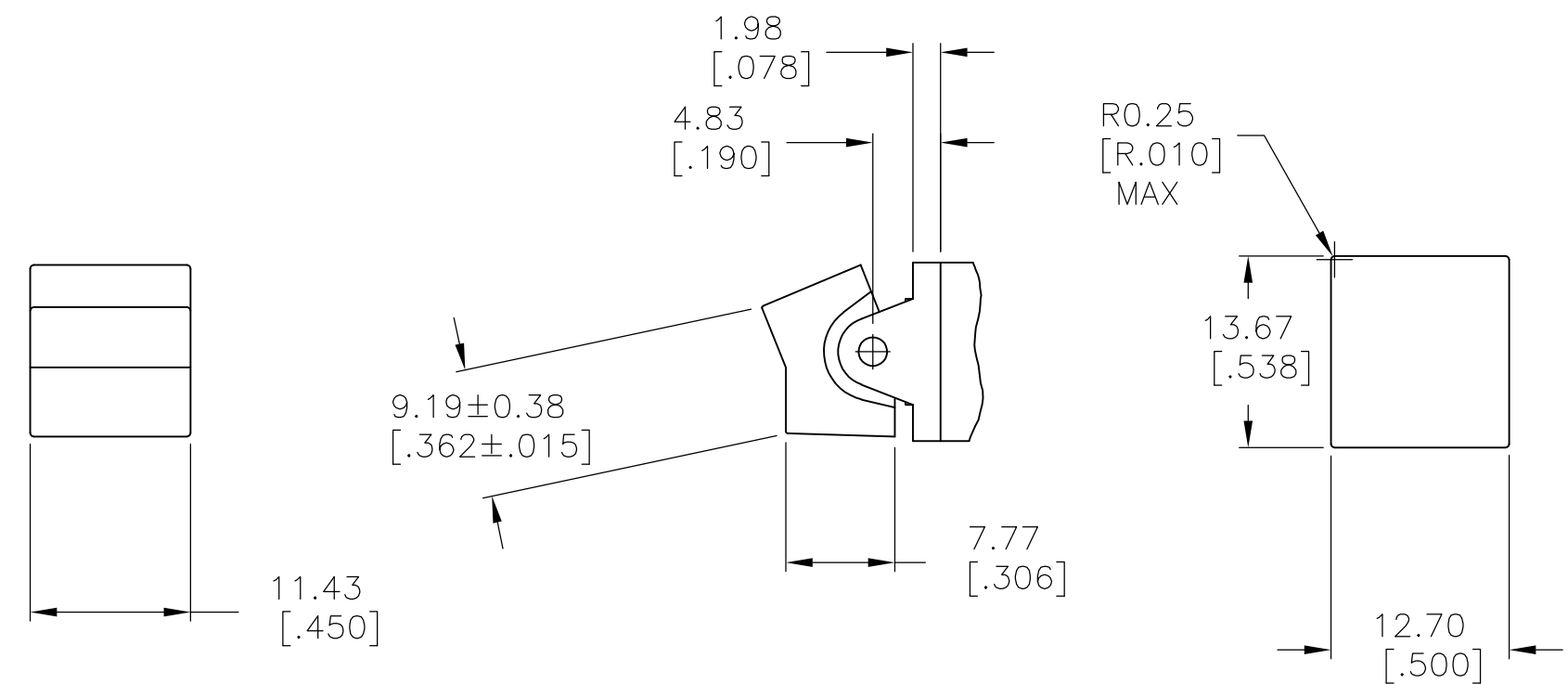
J1 SHOWN WITH PANEL MOUNT ACTUATOR PIVOT



J1 SHOWN WITH PC MOUNT ACTUATOR PIVOT



J50 SHOWN WITH PANEL MOUNT ACTUATOR PIVOT

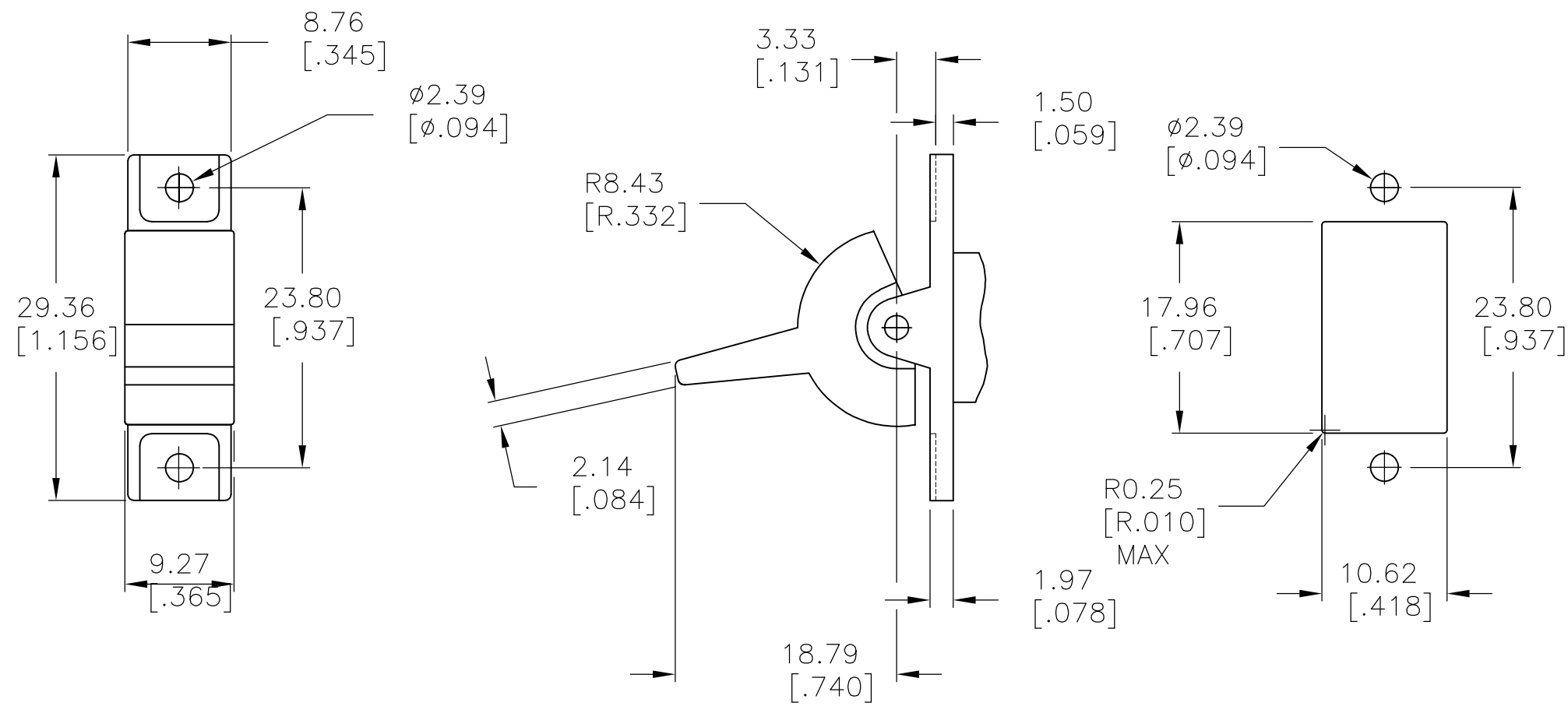


J50 SHOWN WITH PC MOUNT ACTUATOR PIVOT

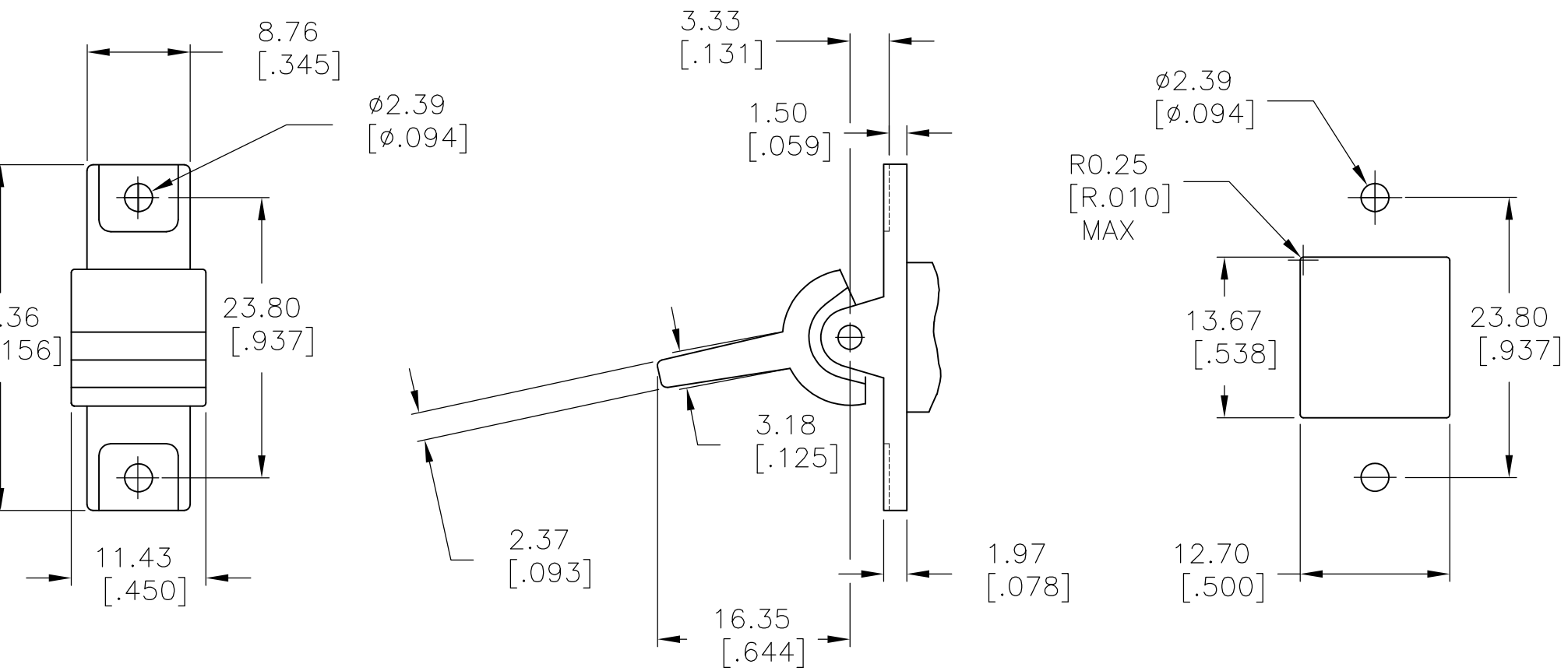
| | |
|-----------------------|-------------------------|
| 1.52-3.17 [.060-.125] | 15.75-15.87 [.620-.625] |
| 1.19-1.50 [.047-.059] | 15.72 [.619] |
| PANEL THICKNESS | DIM "A" |

| | | | | |
|--|--|----------------------------|---|--|
| THIS DRAWING IS A CONTROLLED DOCUMENT. | | DWN M.BINNER 06JAN05 | TE Connectivity | |
| DIMENSIONS: mm [INCHES] | | CHK M.ZITTO 06JAN05 | | |
| TOLERANCES UNLESS OTHERWISE SPECIFIED: | | APVD M.ZITTO 06JAN05 | NAME GEMINI AE SERIES ROCKER SWITCH DOUBLE POLE | |
| 0 PLC ± - | | PRODUCT SPEC | SIZE A2 | |
| 1 PLC ± - | | APPLICATION SPEC | CAGE CODE 00779 | |
| 2 PLC ± - | | | DRAWING NO C=1571989 | |
| 3 PLC ± .010 | | | RESTRICTED TO | |
| 4 PLC ± - | | | - | |
| ANGLES ± 4° | | | SCALE 2:1 | |
| MATERIAL | | WEIGHT | SHEET 2 of 5 | |
| FINISH | | CUSTOMER DRAWING | REV A6 | |

THIS DRAWING IS UNPUBLISHED. RELEASED FOR PUBLICATION - . - .
© COPYRIGHT - By - ALL RIGHTS RESERVED.

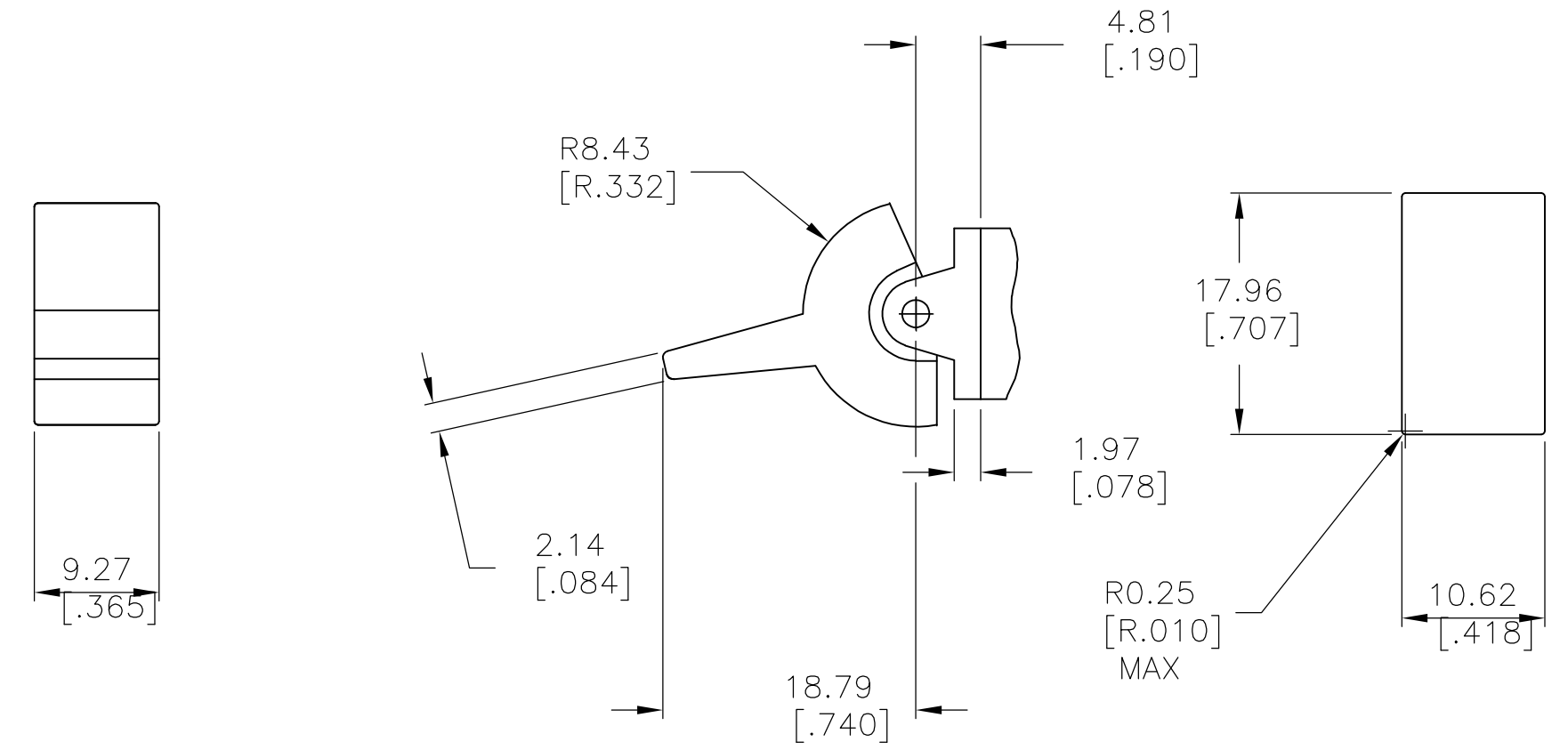


J2 SHOWN WITH PANEL MOUNT ACTUATOR PIVOT

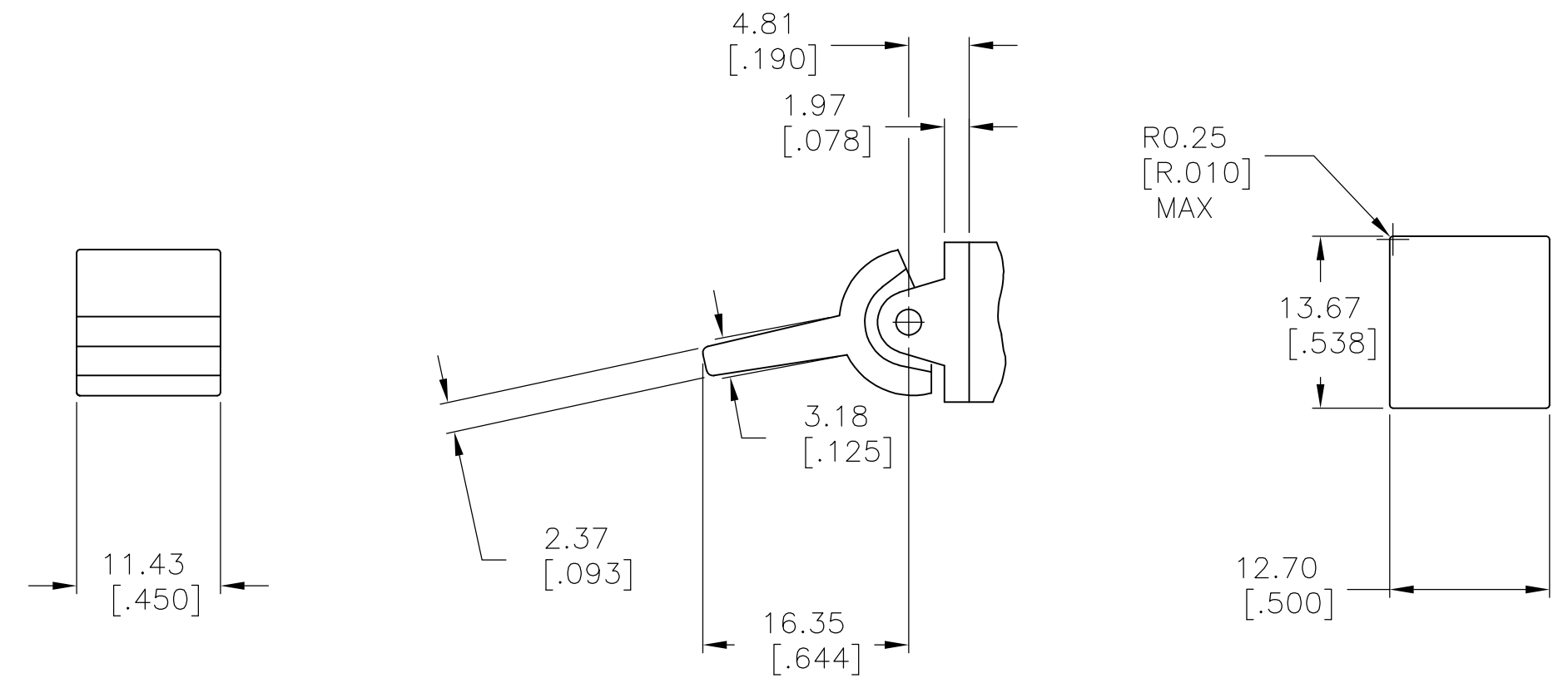


J60 SHOWN WITH PANEL MOUNT ACTUATOR PIVOT

| LOC | DIST | REVISIONS | | | | |
|-----|------|-------------|------|-----|------|--|
| P | LTR | DESCRIPTION | DATE | DWN | APVD | |
| AD | 00 | SEE SHEET 1 | - | - | - | |



J2 SHOWN WITH PC MOUNT ACTUATOR PIVOT



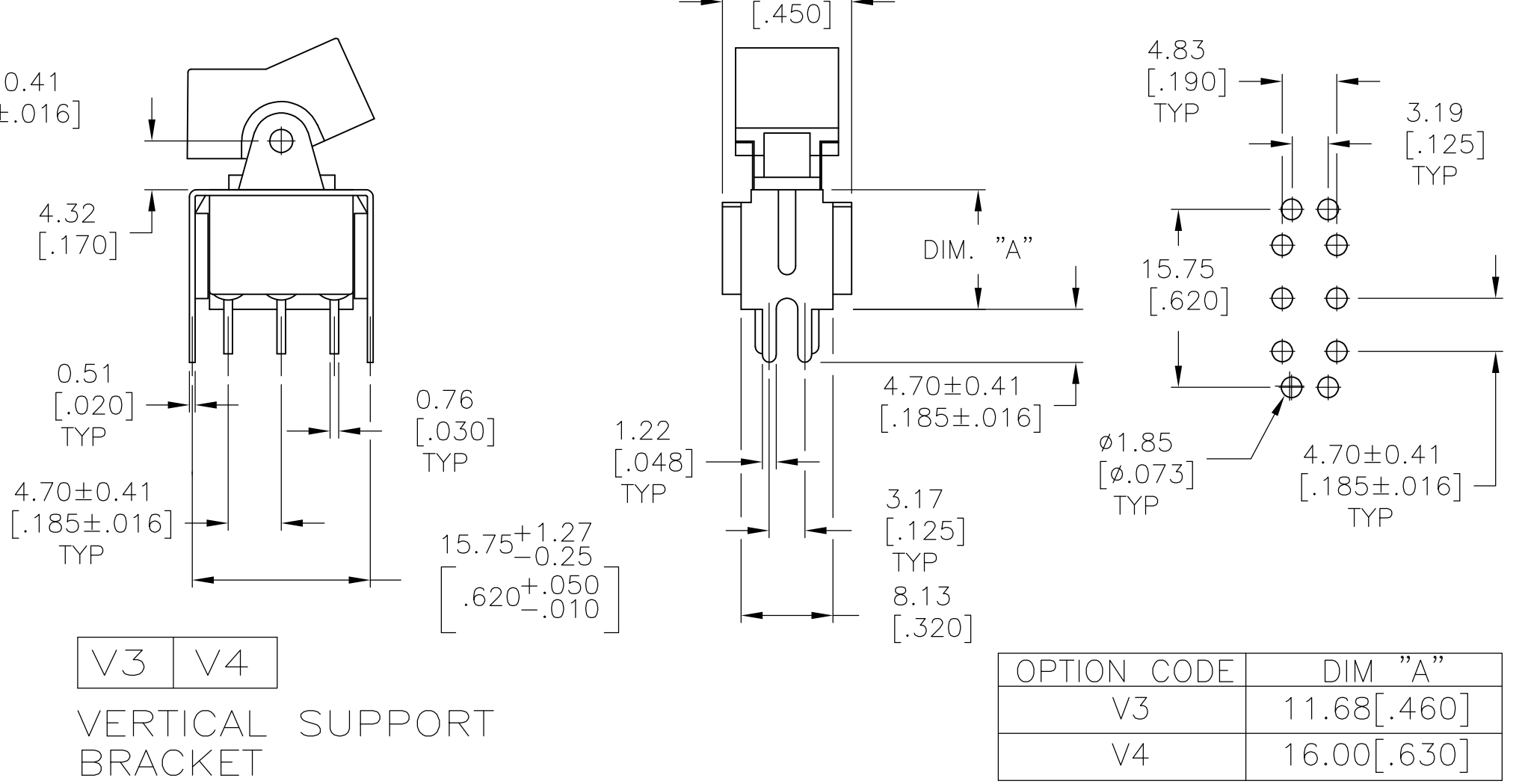
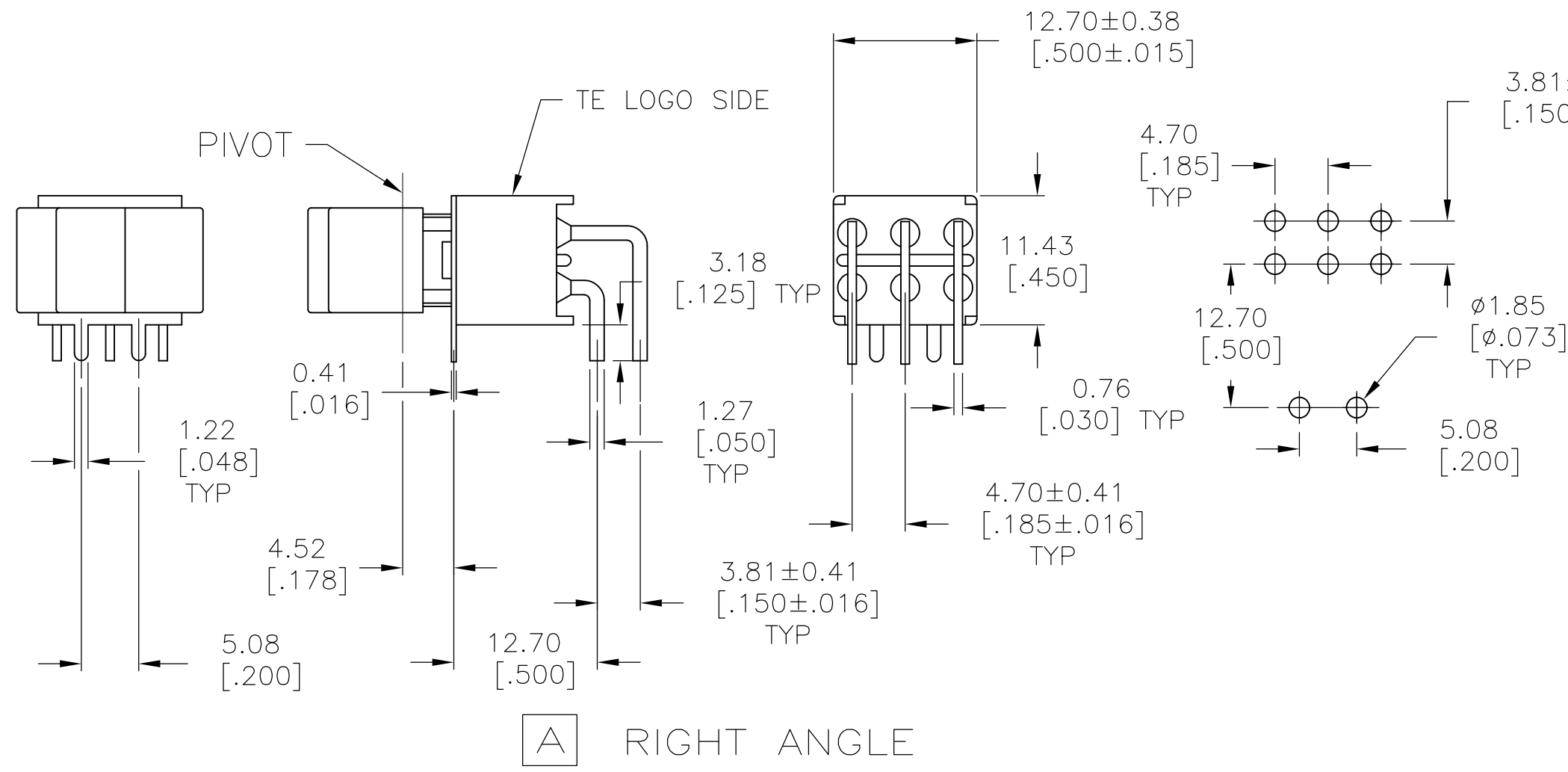
J60 SHOWN WITH PC MOUNT ACTUATOR PIVOT

| | |
|-----------------------|-------------------------|
| 1.52-3.17 [.060-.125] | 15.75-15.87 [.620-.625] |
| 1.19-1.50 [.047-.059] | 15.72 [.619] |
| PANEL THICKNESS | DIM "A" |

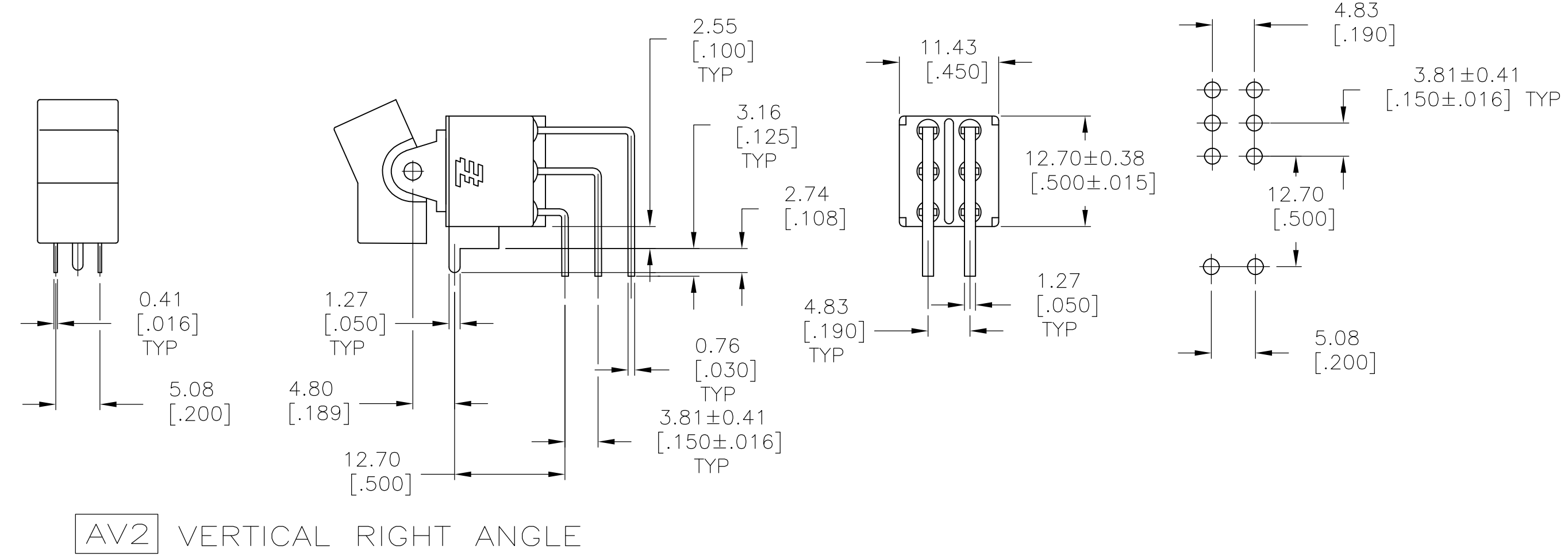
| | | | | | |
|--|--|------------------|--------------------------------|---------|---------------------|
| THIS DRAWING IS A CONTROLLED DOCUMENT. | | DWN | M.BINNER | 06JAN05 | TE Connectivity |
| DIMENSIONS: | | CHK | M.ZITTO | 06JAN05 | |
| mm [INCHES] | | APVD | M.ZITTO | 06JAN05 | |
| TOLERANCES UNLESS OTHERWISE SPECIFIED: | | PRODUCT SPEC | NAME | | |
| 0 PLC ± - | | APPLICATION SPEC | GEMINI AE SERIES ROCKER SWITCH | | |
| 1 PLC ± - | | WEIGHT | DOUBLE POLE | | |
| 2 PLC ± - | | SCALE | A2 00779 C=1571989 | | |
| 3 PLC ± .010 | | SHEET | 3 of 5 | | |
| 4 PLC ± - | | REV | A6 | | |
| ANGLES ± 4° | | CUSTOMER DRAWING | | | |
| FINISH | | | | | |

THIS DRAWING IS UNPUBLISHED. RELEASED FOR PUBLICATION
 © COPYRIGHT - By - ALL RIGHTS RESERVED.

| LOC | DIST | REVISIONS | | | | | |
|-----|------|-----------|-----|-------------|------|-----|------|
| AD | 00 | P | LTR | DESCRIPTION | DATE | DWN | APVD |
| | | - | - | SEE SHEET 1 | - | - | - |



| OPTION CODE | DIM "A" |
|-------------|--------------|
| V3 | 11.68 [.460] |
| V4 | 16.00 [.630] |



THIS DRAWING IS A CONTROLLED DOCUMENT.

| | | |
|------------------|----------|---------|
| DWN | M.BINNER | 06JAN05 |
| CHK | M.ZITTO | 06JAN05 |
| APVD | M.ZITTO | 06JAN05 |
| PRODUCT SPEC | | |
| APPLICATION SPEC | | |
| WEIGHT | - | |
| CUSTOMER DRAWING | | |

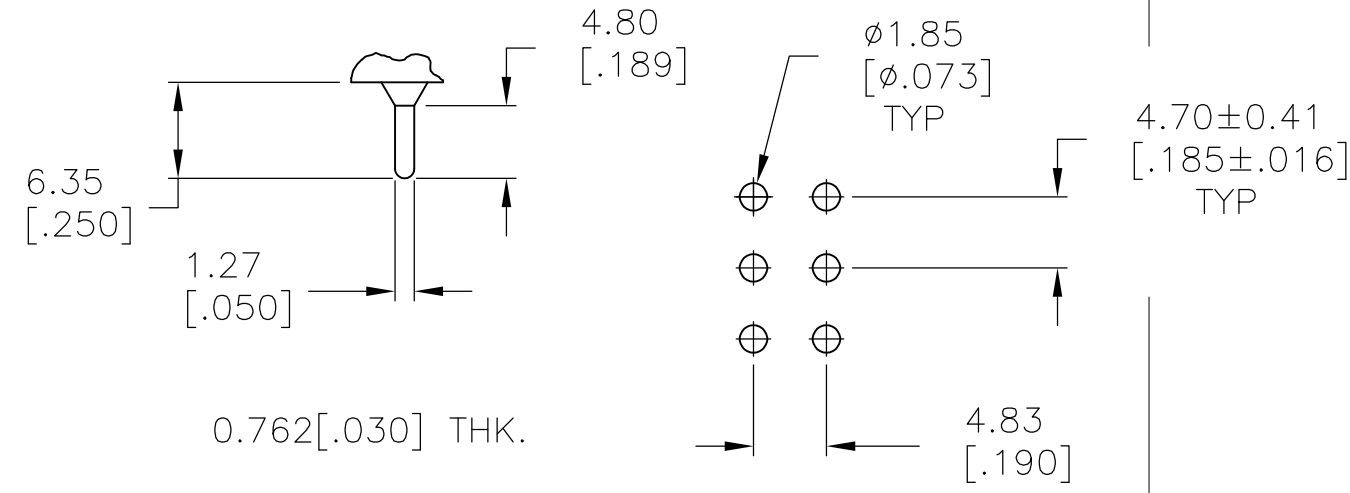
TE TE Connectivity

GEMINI AE SERIES ROCKER SWITCH
DOUBLE POLE

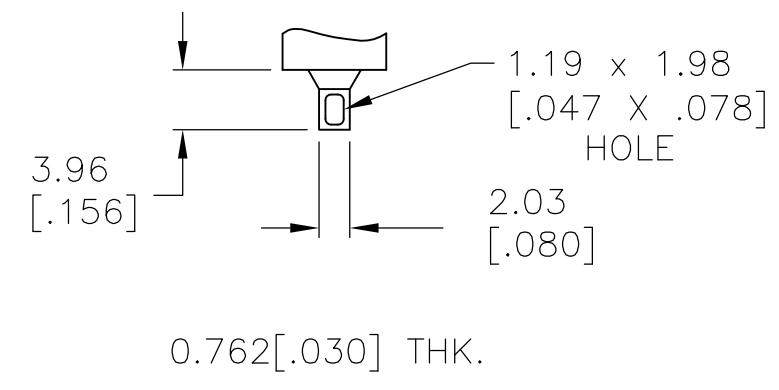
| | | | | | | | |
|-------|-----|-----------|-------|------------|-----------|---------------|----|
| SIZE | A2 | CAGE CODE | 00779 | DRAWING NO | C=1571989 | RESTRICTED TO | - |
| SCALE | 2:1 | SHEET | 4 | OF | 5 | REV | A6 |

THIS DRAWING IS UNPUBLISHED. RELEASED FOR PUBLICATION
 © COPYRIGHT - By - ALL RIGHTS RESERVED.

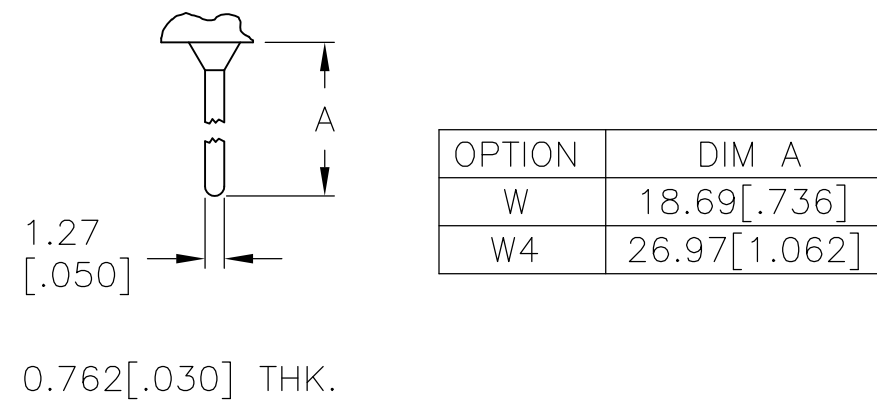
| LOC | DIST | REVISIONS | | | |
|-----|------|-------------|------|-----|------|
| P | LTR | DESCRIPTION | DATE | DWN | APVD |
| AD | 00 | SEE SHEET 1 | - | - | - |



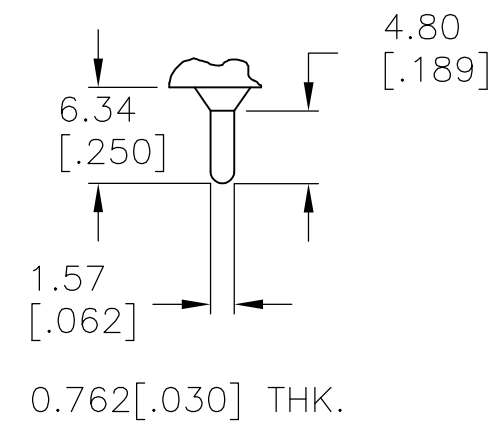
C PRINTED CIRCUIT



Z WIRE LUG



W **W4** WIRE WRAP



Z3 QUICK CONNECT

MATERIALS CHART

| COMPONENT NAME | BASE MATERIAL | FINISH |
|------------------------|---------------------------|------------------------|
| CASE & BUSHING | NYLON, RED, UL94 V-0 | |
| O-RING | PVC, BLACK | |
| B TERMINALS & CONTACTS | COPPER | GOLD NICKEL |
| G TERMINALS & CONTACTS | COPPER | GOLD OVER SILVER |
| Q TERMINALS & CONTACTS | COPPER | GOLD FLASH OVER SILVER |
| ACTUATOR | PHENOLIC, BLACK, UL94 V-1 | |
| ACTUATOR LEVER | ZINC ALLOY | NICKEL |
| SPRING | MUSIC WIRE | |
| PIVOT PIN | STEEL | NICKEL |
| MOUNTING BRACKET | NYLON, UL94 V-1 | |
| ROCKER CAP | NYLON, UL94 V-1 | |
| TERMINAL SEAL | EPOXY, UL94V-0 | |
| MARKING | INK, BLACK | |
| SUPPORT BRACKET | BRASS | TIN |
| RETAINER | STAINLESS STEEL | |

| | |
|----------------|-----------|
| AE208J50V3B004 | 1571989-8 |
| AE205J60V3B004 | 1571989-7 |
| AE205J50V3B004 | 1571989-6 |
| AE203J1AQ004 | 1571989-5 |
| AE201J2AQ204 | 1571989-4 |
| AE201J1V3B004 | 1571989-3 |
| AE201J1AV2Q004 | 1571989-2 |
| AE201J1AQ004 | 1571989-1 |
| ALCO P/N | PART NO. |

| | | | | | | | | | | |
|---|--------|---|----------|------------------|-------|--|-------|--------|-----|----|
| THIS DRAWING IS A CONTROLLED DOCUMENT. | | DWN | M.BINNER | 06JAN05 | | TE Connectivity | | | | |
| DIMENSIONS: mm [INCHES] | | CHK | M.ZITTO | 06JAN05 | | NAME | | | | |
| TOLERANCES UNLESS OTHERWISE SPECIFIED: | | APVD | M.ZITTO | 06JAN05 | | GEMINI AE SERIES ROCKER SWITCH DOUBLE POLE | | | | |
| 0 PLC ± - 1 PLC ± - 2 PLC ± - 3 PLC ± .010 4 PLC ± - ANGLES ± 4° | | PRODUCT SPEC | | APPLICATION SPEC | | RESTRICTED TO | | | | |
| MATERIAL | FINISH | WEIGHT | A2 00779 | | SCALE | 2:1 | SHEET | 5 OF 5 | REV | A6 |
| CUSTOMER DRAWING | | DRAWING NO: 1571989 SHEET: 5 OF 5 REV: A6 | | | | | | | | |

Данный компонент на территории Российской Федерации

Вы можете приобрести в компании MosChip.

Для оперативного оформления запроса Вам необходимо перейти по данной ссылке:

<http://moschip.ru/get-element>

Вы можете разместить у нас заказ для любого Вашего проекта, будь то серийное производство или разработка единичного прибора.

В нашем ассортименте представлены ведущие мировые производители активных и пассивных электронных компонентов.

Нашей специализацией является поставка электронной компонентной базы двойного назначения, продукции таких производителей как XILINX, Intel (ex.ALTERA), Vicor, Microchip, Texas Instruments, Analog Devices, Mini-Circuits, Amphenol, Glenair.

Сотрудничество с глобальными дистрибьюторами электронных компонентов, предоставляет возможность заказывать и получать с международных складов практически любой перечень компонентов в оптимальные для Вас сроки.

На всех этапах разработки и производства наши партнеры могут получить квалифицированную поддержку опытных инженеров.

Система менеджмента качества компании отвечает требованиям в соответствии с ГОСТ Р ИСО 9001, ГОСТ РВ 0015-002 и ЭС РД 009

Офис по работе с юридическими лицами:

105318, г.Москва, ул.Щербаковская д.3, офис 1107, 1118, ДЦ «Щербаковский»

Телефон: +7 495 668-12-70 (многоканальный)

Факс: +7 495 668-12-70 (доб.304)

E-mail: info@moschip.ru

Skype отдела продаж:

moschip.ru

moschip.ru_4

moschip.ru_6

moschip.ru_9