

# MS-Series

## CIRCUIT BREAKER

Designed and tested to operate flawlessly in the harshest of environments, the MS-Series sealed toggle circuit breaker is ideally suited for COTS (commercial off the shelf) military applications. Our space saving envelope meets IP68 requirements and features a durable metal and sealed mounting bushing with MIL-PRF-39019F ingress protection when mounted in a panel.

This class-leading, affordable circuit breaker was designed in accordance with the requirements of MIL-PRF-55629 and MIL STD 202, making it the best choice for those applications where shock, vibration, moisture resistance, salt spray and thermal shock are of the utmost consideration. The MS-Series' compact size and reliability make it ideal for crucial communication equipment and other mission critical components.

1-3 poles; 0.20-30 amps; 65VDC, 240VAC, 120/240VAC; UL, CUL recognized & TUV certified.



### Resources:

[Configure a Complete Part](#)

[Download CAD & Sales Drawing >](#)

[Watch Product Video](#)



### Product Highlights:

- Sealed Toggle Actuator
- MIL-PRF-39019F Ingress Protection
- MIL-PRF-55629 and MIL STD 202 Compliant
- Compact Design

### Typical Applications:

- COTS Military
  - Communication Equipment
- Off Highway Equipment
  - Construction, Mining & Agriculture
- Generators & Power Supplies
- Harsh Environment Applications



**Carling Technologies, Inc.**  
60 Johnson Avenue, Plainville, CT 06062  
Email: [sales@carlingtech.com](mailto:sales@carlingtech.com)  
Application Support: [team2@carlingtech.com](mailto:team2@carlingtech.com)  
Phone: 860.793.9281 Fax: 860.793.9231

[www.carlingtech.com](http://www.carlingtech.com)

# MS-Series

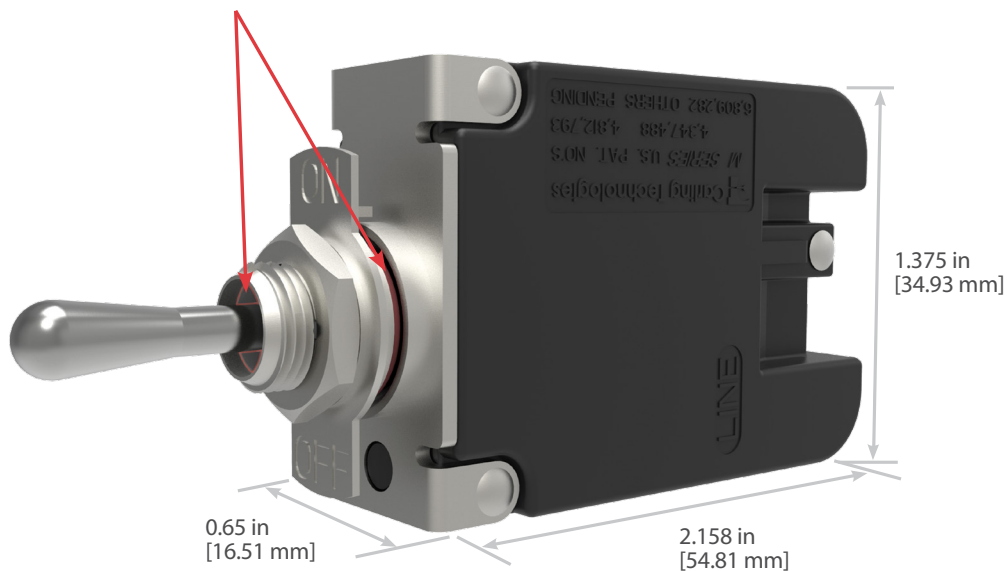
## DESIGN FEATURES

### SEALS

IP68 Designed and tested to comply with MIL-PRF-39019F Ingress Protection

### COMPACT SIZE

Max performance in compact size: 0.20-30 Amps; 65 VDC, 240 VAC 120/240 VAC

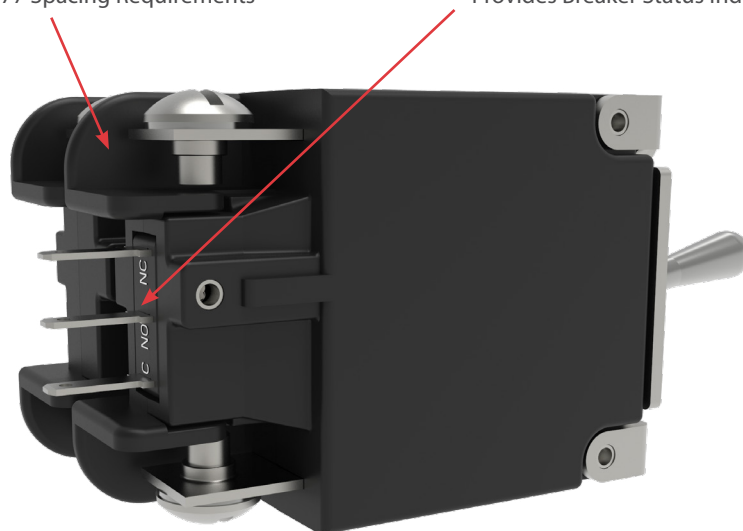


### TERMINAL BARRIERS

Meet UL 1077 Spacing Requirements

### OPTIONAL AUXILIARY SWITCH

Provides Breaker Status Indication



## Electrical Tables

**Table A:** Lists UL & cUL Configuration & Performance Capabilities

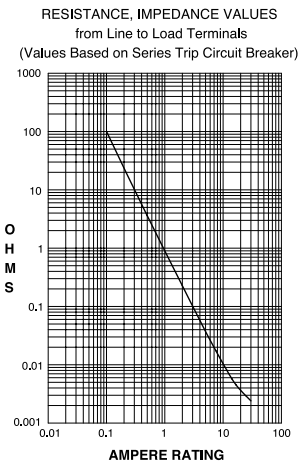
MS-SERIES TABLE A: COMPONENT SUPPLEMENTARY PROTECTORS										
Circuit Configuration	Voltage			Current Rating		Poles Breaking	Short Circuit Capacity (Amps) <sup>1</sup>			
	Max Rating	Frequency	Phase	General Purpose Amps	UL / cUL		TUV			
					U1		U3	I <sub>nc</sub> <sup>2</sup>	I <sub>cn</sub>	
Series	65	DC	---	0.02 - 30	1	3000	300	3000	300	
	240	50 / 60	1	0.02 - 30	1, 2	2000	300	3000	300	
	120 / 240	50 / 60	1	0.02 - 30	2 or 3	2000	300	3000	300	

**Notes:**

- 1 Short Circuit Current Rating (SC) Codes — The short-circuit current rating, followed by a letter and number designating the test conditions and any calibration following the short-circuit test as defined below:
- U - Indicates that the short circuit test was performed without a series fuse
- 1 - Indicates that a re-calibration was not performed as part of the short circuit testing
- 3 - Indicates that the protector has proven to be suitable for further use after the short circuit test
- Re-calibration, dielectric strength and voltage withstand tests were performed after the short circuit testing
- 2 - Inc rating obtained with a 50 Amp type gL fuse

### Electrical

Current Ratings .02 - 30 Amps  
 Voltage Rating 65VDC, 240VAC, 120/240VAC  
 Short Circuit Rating See Table A  
 Auxiliary Switch Rating 5A @ 125VAC, 3A @ 32VDC, .1A @ 125VAC, 32VDC  
 Dielectric Strength UL,CSA 1500V, 50/60 Hz for one minute between all electrically isolated terminals.  
 Insulation Resistance Minimum of 100 Megohms @ 500VDC  
 Time Delay See delay curve  
 Impedance




CURRENT (AMPS)	TOLERANCE (%)
0.20 - 30.0	25

### Physical

Number of Poles 1-3 poles  
 Weight Approximately 1.8 oz (50 G) per pole  
 Dimensions See form & fit drawing

### Agency Certifications

 UL Standard 1077  
 CUL Standard C22.2

 TUV Certified

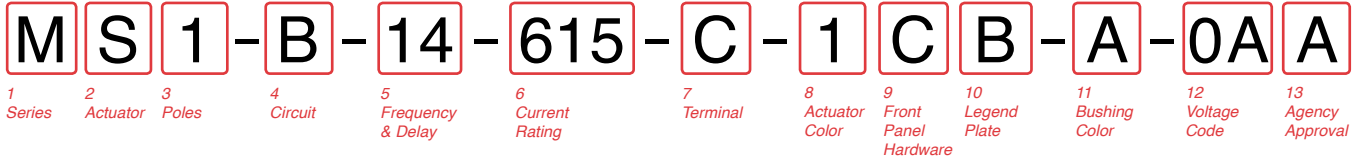
### Mechanical

Current Ratings 10,000 On-Off operations @ 6 per minute with rated current and voltage.  
 Trip Free Trips on short circuit and overload, even when the actuator is forcibly held in the "On" position.  
 Trip Indication The operating handle moves positively to the "Off" position when a short circuit or overload causes the circuit breaker to trip.

### Environmental

Designed in accordance with requirements of specification MIL PRF-55629 & MIL-STD-202G as follows:  
 Shock Withstands 100G's, 6ms, saw tooth while carrying rated current per Method 213, Condition I. Instantaneous curves tested at 80% of rated current.  
 Vibration Withstands 0.060" excursion from 10-55 Hz, and 10G's 55-500 Hz, at rated current per Method 204C, Test Condition A. Instantaneous curves tested at 80% of rated current.  
 Salt Spray Method 101, Condition A (90-95% RH @ 5% NaCl Solution, 96 hrs)  
 Moisture Resistance Method 106G  
 Thermal Shock Method 107D, Condition A (Five cycles @ -55°C to +25°C to +85°C to +25°C)  
 Operating Temperature -40°C to +85°C  
 Ingress Protection Level MIL-PRF-55629C when mounted in panel.  
 Other Materials used in this product are non-nutrient to fungus growth.

\*Manufacturer reserves the right to change product specification without prior notice.



**1 SERIES**  
**M**

**2 ACTUATOR**  
**S** Sealed Toggle

**3 POLES**  
**1** One                      **2** Two                      **3** Three

**4 CIRCUIT**  
**A** Switch Only (no coil) <sup>1,2</sup>  
**B** Series Trip (current)  
**M** Series Trip (current) Aux switch .110 QC x 0.20 QC (silver contacts)  
**9** Series Trip (current) Aux switch .110 QC x 0.20 QC (gold contacts)

**5 FREQUENCY & DELAY**

<b>03</b> DC, 50/60Hz, Switch Only <sup>1</sup>	<b>32</b> DC, 50/60Hz Short
<b>10</b> DC, Instantaneous	<b>34</b> DC, 50/60Hz Medium
<b>12</b> DC, Short	<b>62</b> 50/60Hz Short, High-inrush <sup>4</sup>
<b>14</b> DC, Medium	<b>64</b> 50/60Hz Medium, High-inrush <sup>4</sup>
<b>20</b> 50/60Hz Instantaneous	<b>72</b> DC, Short, High-inrush <sup>4</sup>
<b>22</b> 50/60Hz Short	<b>74</b> DC, Medium, High-inrush <sup>4</sup>
<b>24</b> 50/60Hz Medium	<b>92</b> DC, 50/60Hz Short, High-inrush <sup>4</sup>
<b>30</b> DC, 50/60Hz Instantaneous	<b>94</b> DC, 50/60Hz Medium, High-inrush <sup>4</sup>

**6 CURRENT RATING (AMPERES)**

CODE	AMPERES				
<b>220</b>	0.200	<b>295</b>	0.950	<b>460</b>	6.00
<b>225</b>	0.250	<b>410</b>	1.00	<b>465</b>	6.50
<b>230</b>	0.300	<b>512</b>	1.25	<b>470</b>	7.00
<b>235</b>	0.350	<b>415</b>	1.50	<b>475</b>	7.50
<b>240</b>	0.400	<b>517</b>	1.75	<b>480</b>	8.00
<b>245</b>	0.450	<b>420</b>	2.00	<b>485</b>	8.50
<b>250</b>	0.500	<b>522</b>	2.25	<b>490</b>	9.00
<b>255</b>	0.550	<b>425</b>	2.50	<b>495</b>	9.50
<b>260</b>	0.600	<b>527</b>	2.75	<b>610</b>	10.00
<b>265</b>	0.650	<b>430</b>	3.00	<b>710</b>	10.50
<b>270</b>	0.700	<b>435</b>	3.50	<b>611</b>	11.00
<b>275</b>	0.750	<b>440</b>	4.00	<b>711</b>	11.50
<b>280</b>	0.800	<b>445</b>	4.50	<b>612</b>	12.00
<b>285</b>	0.850	<b>450</b>	5.00	<b>712</b>	12.50
<b>290</b>	0.900	<b>455</b>	5.50	<b>613</b>	13.00

Notes:  
 1 Series code "A" only available with delay code "03"  
 2 Only available when tied to a protected pole  
 3 Requires a 2 or 3 pole device  
 4 Only available without agency approvals (Approval Code A)

**7 TERMINAL**  
**1** Push-On 0.250 Tab (QC)  
**2** Screw 8-32 (Upturned Lugs)  
**3** Screw 8-32 (Bus Type)  
**C** Screw Terminal M4 (Upturned Lugs)  
**E** Screw Terminal M4 (Bus Type)  
**L** Solder Lug

**8 ACTUATOR & MARKING COLOR**  
**1** Dull Metallic

**9 FRONT PANEL HARDWARE**  
**A** No Outer Panel Hardware  
**B** Hex Nut, Nickel Plated  
**C** Hex Nut, Nickel Plated with Locking Ring  
**F** Panel Dress Nut, Nickel Plated  
**G** Panel Dress Nut, Nickel Plated with Locking Ring

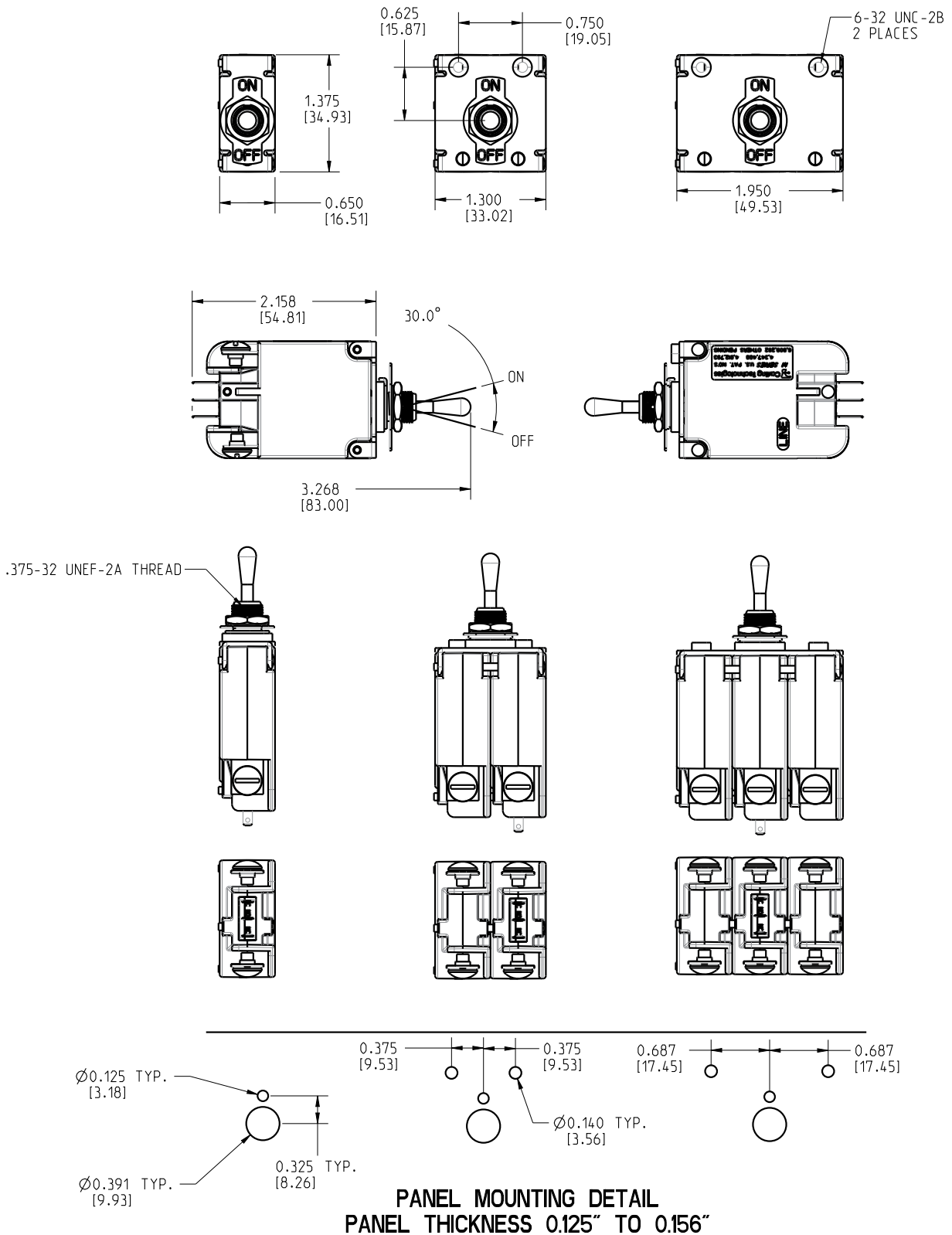
**10 LEGEND PLATE**  
**A** No Legend Plate  
**B** On-Off Vertical  
**C** On-Off Horizontal  
**D** I-O Vertical  
**E** I-O Horizontal  
**F** Dual Vertical  
**G** Dual Horizontal

**11 BUSHING COLOR**  
**A** Nickel Plated / Multipole Version

**12 VOLTAGE CODE**  
**0A** 65 VDC  
**0D** 240 VAC  
**0C** 120/240 VAC <sup>3</sup>  
**0N** 65 VDC / 120/240 VAC <sup>3</sup>  
**17** 65 VDC / 240 VAC

**13 AGENCY APPROVAL**  
**A** Without approvals  
**B** UL Recognized  
**C** UL & cUL Recognized  
**E** TUV Certified, UL Recognized, CUL Recognized  
**U** TUV Certified

## Dimensional Specifications: in. [mm]



- Notes:
- 1 All dimensions are in inches [millimeters].
  - 2 Tolerance  $\pm 0.020$  [51] unless otherwise specified.

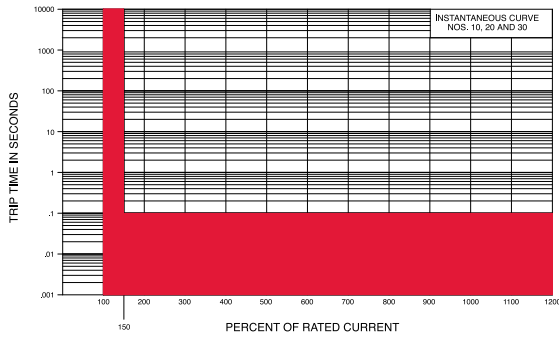
M, MS-SERIES TIME DELAY VALUES										
TRIP TIME SECONDS	PERCENT OF RATED CURRENT									
	Delay	100%	135%	150%	200%	400%	600%	800%	1000%	1200%
	10, 20, 30	No Trip	May Trip	.100 Max	.100 Max	.100 Max	.100 Max	.100 Max	.100 Max	.100 Max
	12, 22, 32, 62, 72, 92	No Trip	.300 - 7.00	.200 - 5.00	.100 - 2.00	.030 - .500	.008 - .300	.006 - .150	.005 - .100	.005 - .100
	14, 24, 34, 64, 74, 94	No Trip	3.00 - 70.0	2.00 - 40.0	1.00 - 15.0	.100 - 4.00	.008 - 2.00	.006 - .800	.005 - .350	.005 - .160

Notes:

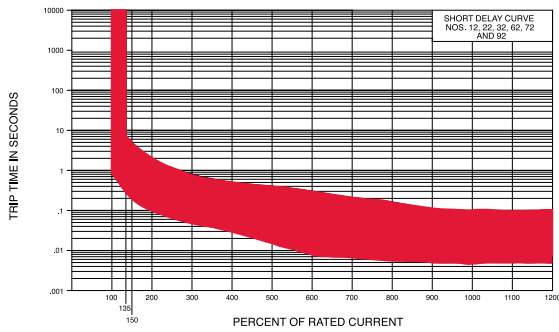
- 1 Delay Curves 12,14, 22, 24, 32, 34, 62, 64, 72, 74, 92, 94: Breakers to hold 100% and must trip at 135% of rated current and greater within the time limit shown in this curve.
- 2 Delay Curves 10, 20, 30: Breakers to hold 100% and must trip at 150% of rated current and greater within the time limit shown in this curve.
- 3 All Curves: Curve data shown represents breaker response at ambient temperature of 77°F (25°C) with no preloading. Breakers are mounted in standard wall-mount position.
- 4 The minimum inrush pulse tolerance handling capability is 12 times the rated current on standard delays and 18 times the rated current on high inrush delays. These values are based on a 60 Hz 1/2 cycle, 8.33 ms pulse. High inrush delays should be specified for applications with high initial surge currents of short duration, such as switching power supplies, highly capacitive loads and transformer loads.

## Dual Rated AC/DC

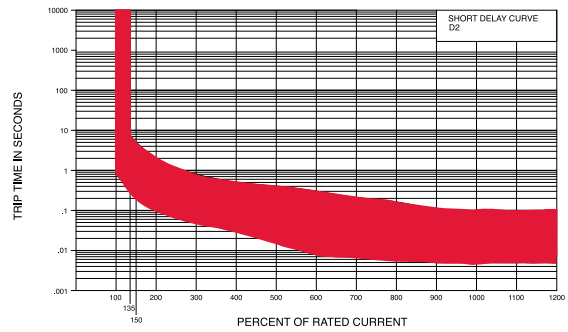
### Instantaneous



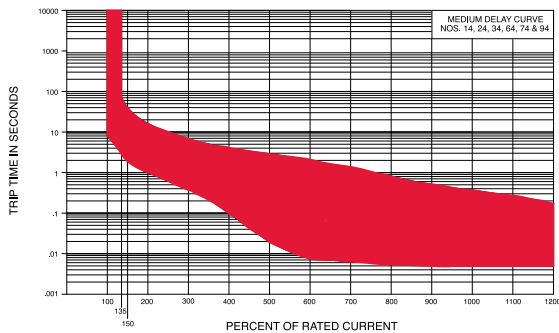
### Short



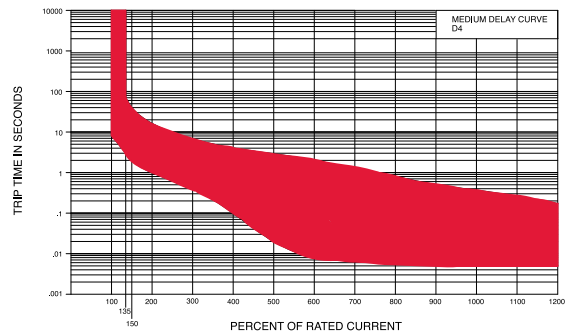
### Short D2



### Medium



### Medium D4



## Authorized Sales Representatives and Distributors

Click on a region of the map below to find your local representatives and distributors or visit [www.carlingtech.com/findarep](http://www.carlingtech.com/findarep).



## About Carling

Founded in 1920, Carling Technologies is a leading manufacturer of electrical and electronic switches and assemblies, circuit breakers, electronic controls, power distribution units, and multiplexed power distribution systems. With four ISO registered manufacturing facilities and technical sales offices worldwide, Carling Technologies Sales, Service and Engineering teams do much more than manufacture electrical components, they engineer powerful solutions! To learn more about Carling please visit [www.carlingtech.com/company-profile](http://www.carlingtech.com/company-profile).

To view all of Carling's environmental, quality, health & safety certifications please visit [www.carlingtech.com/environmental-certifications](http://www.carlingtech.com/environmental-certifications)

## **Worldwide Headquarters**

Carling Technologies, Inc.  
60 Johnson Avenue, Plainville, CT 06062  
**Phone:** 860.793.9281 **Fax:** 860.793.9231  
**Email:** sales@carlingtech.com

**Northern Region Sales Office:** nrsm@carlingtech.com  
**Southeast Region Sales Office:** sersm@carlingtech.com  
**Midwest Region Sales Office:** mrsm@carlingtech.com  
**West Region Sales Office:** wrsm@carlingtech.com  
**Latin America Sales Office:** larsm@carlingtech.com

## **Asia-Pacific Headquarters**

Carling Technologies, Asia-Pacific Ltd.,  
Suite 1607, 16/F Tower 2, The Gateway,  
Harbour City, 25 Canton Road,  
Tsimshatsui, Kowloon, Hong Kong  
**Phone:** Int + 852-2737-2277 **Fax:** Int + 852-2736-9332  
**Email:** sales@carlingtech.com.hk

**Shenzhen, China:** shenzhen@carlingtech.com  
**Shanghai, China:** shanghai@carlingtech.com  
**Pune, India:** india@carlingtech.com  
**Kaohsiung, Taiwan:** taiwan@carlingtech.com  
**Yokohama, Japan:** japan@carlingtech.com

## **Europe | Middle East | Africa Headquarters**

Carling Technologies LTD  
4 Airport Business Park, Exeter Airport,  
Clyst Honiton, Exeter, Devon, EX5 2UL, UK  
**Phone:** Int + 44 1392.364422 **Fax:** Int + 44 1392.364477  
**Email:** ltd.sales@carlingtech.com

**Germany:** gmbh@carlingtech.com  
**France:** sas@carlingtech.com



**Carling Technologies®**

Innovative Designs. Powerful Solutions.



## Данный компонент на территории Российской Федерации

### Вы можете приобрести в компании MosChip.

Для оперативного оформления запроса Вам необходимо перейти по данной ссылке:

<http://moschip.ru/get-element>

Вы можете разместить у нас заказ для любого Вашего проекта, будь то серийное производство или разработка единичного прибора.

В нашем ассортименте представлены ведущие мировые производители активных и пассивных электронных компонентов.

Нашей специализацией является поставка электронной компонентной базы двойного назначения, продукции таких производителей как XILINX, Intel (ex.ALTERA), Vicor, Microchip, Texas Instruments, Analog Devices, Mini-Circuits, Amphenol, Glenair.

Сотрудничество с глобальными дистрибьюторами электронных компонентов, предоставляет возможность заказывать и получать с международных складов практически любой перечень компонентов в оптимальные для Вас сроки.

На всех этапах разработки и производства наши партнеры могут получить квалифицированную поддержку опытных инженеров.

Система менеджмента качества компании отвечает требованиям в соответствии с ГОСТ Р ИСО 9001, ГОСТ РВ 0015-002 и ЭС РД 009

### Офис по работе с юридическими лицами:

105318, г.Москва, ул.Щербаковская д.3, офис 1107, 1118, ДЦ «Щербаковский»

Телефон: +7 495 668-12-70 (многоканальный)

Факс: +7 495 668-12-70 (доб.304)

E-mail: [info@moschip.ru](mailto:info@moschip.ru)

Skype отдела продаж:

moschip.ru

moschip.ru\_4

moschip.ru\_6

moschip.ru\_9