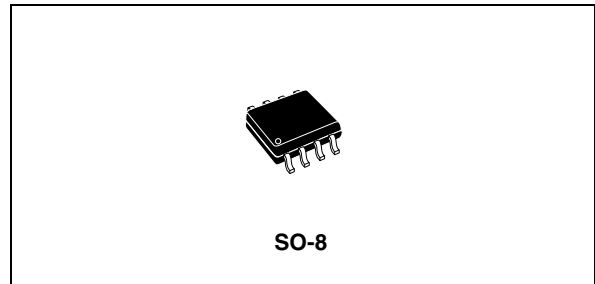


Advanced IGBT/MOSFET driver

Features

- 1.7 A sink / 1.3 A source (typ) current capability
- Active Miller clamp feature
- Desaturation detection
- Adjustable turn-on delay
- UVLO protection
- 2k V ESD protection



Applications

- 1200 V 3-phase inverter
- Motor control systems
- UPS

Description

This device is an advanced gate driver for IGBTs and power MOSFETs. Control and protection functions are included and allow the design of high reliability systems.

The innovative active Miller clamp function eliminates the need for negative gate drive in most applications and allows the use of a simple bootstrap supply for the high side driver.

The TD352 includes an adjustable turn-on delay. This feature can be used to implement reliable deadtime between high and low sides of a half bridge. An external resistor and capacitor are used to provide accurate timing.

Table 1. Device summary

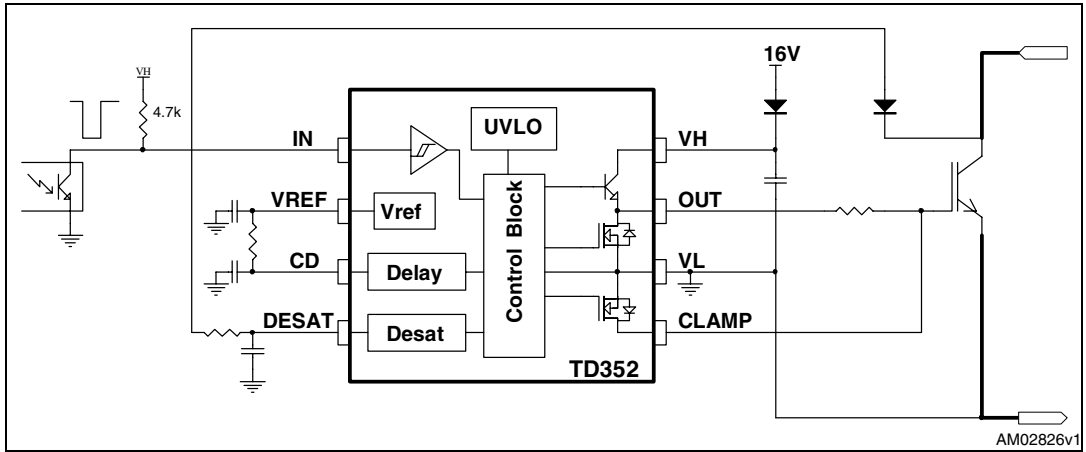
Order codes	Temperature range	Package	Packaging
TD352ID	-40°C, +125°C	SO-8	Tube
TD352IDT			Tape and reel

Contents

1	Block diagram	3
2	Pin connections	4
3	Absolute maximum ratings	5
4	Electrical characteristics	6
5	Functional description	8
	5.1 Input stage	8
	5.2 Voltage reference	8
	5.3 Active Miller clamp	8
	5.4 Turn-on delay	8
	5.5 Desaturation protection	9
	5.6 Output stage	9
	5.7 Undervoltage protection	9
6	Timing diagrams	11
7	Typical performance curves	13
8	Application diagrams	15
9	Package mechanical data	16
10	Revision history	17

1 Block diagram

Figure 1. TD352 block diagram



2 Pin connections

Figure 2. Pin connections (top view)

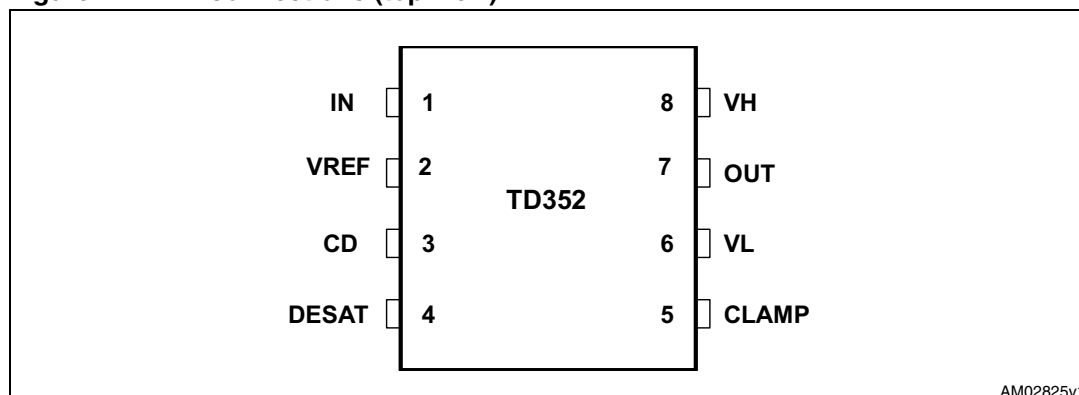


Table 2. Pin description

Pin n°	Name	Type	Function
IN	1	Analog input	Input
VREF	2	Analog output	+5 V reference voltage
CD	3	Timing capacitor	Turn on delay
DESAT	4	Analog input	Desaturation protection
CLAMP	5	Analog output	Miller clamp
VL	6	Power supply	Signal ground
OUT	7	Analog output	Gate drive output
VH	8	Power supply	Positive supply

3 Absolute maximum ratings

Table 3. Absolute maximum ratings

Symbol	Parameter	Value	Unit
V _H L	Maximum supply voltage (V _H - V _L)	28	V
V _{out}	Voltage on OUT, CLAMP, DESAT pins	V _L -0.3 to V _H +0.3	V
V _{other}	Voltage on other pins (IN, CD, VREF)	-0.3 to 7	V
P _d	Power dissipation	500	mW
T _{stg}	Storage temperature	-55 to 150	°C
T _j	Maximum junction temperature	150	°C
R _{thJA}	Thermal resistance junction-ambient	150	°C/W
ESD	Electrostatic discharge (HBM)	2	kV

Table 4. Operating conditions

Symbol	Parameter	Value	Unit
V _H	Positive supply voltage vs. V _L	UVLO to 26	V
T _{oper}	Operating free air temperature range	-40 to 125	°C

4 Electrical characteristics

$T_A = -20$ to 125 °C, $V_H = 16$ V, unless otherwise specified.

Table 5. Electrical characteristics

Symbol	Parameter	Test condition	Min	Typ	Max	Unit
Input						
V_{ton}	IN turn-on threshold voltage		0.8	1.0		V
V_{toff}	IN turn-off threshold voltage			4.0	4.2	V
I_{inp}	IN input current	IN input voltage < 4.5V			1	μA
Voltage reference ⁽¹⁾						
V_{ref}	Voltage reference	$T = 25^{\circ}C$	4.85	5.00	5.15	V
I_{ref}	Maximum output current		10			mA
Clamp						
V_{tclamp}	CLAMP pin voltage threshold			2.0		V
V_{CL}	Clamp low voltage	$I_{csink} = 500mA$			2.5	V
Delay						
V_{tdel}	Voltage threshold			2.5		V
R_{del}	Discharge resistor	$I = 1mA$			500	Ω
Desaturation protection						
V_{des}	Desaturation threshold			VH-2		V
I_{des}	Source current			250		μA
Output						
I_{sink}	Output sink current	$V_{out} = 6V$	1000	1700		mA
I_{src}	Output source current	$V_{out} = VH-6V$	750	1300		mA
V_{OL1}	Output low voltage 1	$I_{osink} = 20mA$			0.35	V
V_{OL2}	Output low voltage 2	$I_{osink} = 500mA$			2.5	V
V_{OH1}	Output high voltage 1	$I_{osource} = 20mA$	VH-2.5			V
V_{OH2}	Output high voltage 2	$I_{osource} = 500mA$	VH-4.0			V
t_r	Rise time	$C_L = 1nF, 10\%$ to 90%			100	ns
t_f	Fall time	$C_L = 1nF, 90\%$ to 10%			100	ns
t_{don}	Turn on propagation delay	10% OUT change: $R_d = 4.7k\Omega$, no C_d $R_d = 11k\Omega$, $C_d = 220 pF$	1.8	2.0	500 2.2	ns μs
t_{doff}	Turn off propagation delay	10% OUT change			400	ns

Table 5. Electrical characteristics (continued)

Symbol	Parameter	Test condition	Min	Typ	Max	Unit
Under voltage lockout (UVLO)						
UVLOH	UVLO top threshold		10	11	12	V
UVLOL	UVLO bottom threshold		9	10	11	V
V_{hyst}	UVLO hysteresis	UVLOH-UVLOL	0.5	1		V
Supply current						
I_{in}	Quiescent current	OUT = 0V; no load			2.5	mA

1. Recommended capacitor range on VREF pin is 10 nF to 100 nF

5 Functional description

5.1 Input stage

The TD352 IN input is internally clamped at about 5 V to 7 V. The input is triggered by the signal edge. When using an open collector optocoupler, the resistive pull-up resistor can be connected to either VREF or VH.

Recommended pull-up resistor value with VH=16 V is from 4.7 kΩ to 22 kΩ

5.2 Voltage reference

A voltage reference is used to create accurate timing for the turn-on delay with external resistor and capacitor.

A decoupling capacitor (10 nF to 100 nF) on the VREF pin is required to ensure good noise rejection.

5.3 Active Miller clamp

The TD352 offers an alternative solution to the problem of Miller current in IGBT switching applications. Instead of driving the IGBT gate to a negative voltage to increase the safety margin, the TD352 uses a dedicated CLAMP pin to control the Miller current. When the IGBT is off, a low impedance path is established between the IGBT gate and emitter to carry the Miller current, and the voltage spike on the IGBT gate is greatly reduced.

During turn-off, the gate voltage is monitored and the clamp output is activated when the gate voltage goes below 2 V (relative to VL). The clamp voltage is VL+4V max for a Miller current up to 500 mA. The clamp is disabled when the IN input is triggered again.

The CLAMP function does not affect the turn-off characteristic, but only keeps the gate at low level throughout the off time. The main benefit is that negative voltage can be avoided in many cases, allowing a bootstrap technique for the high side driver supply.

5.4 Turn-on delay

Turn-on (T_a) delay is programmable through external resistor R_d and capacitor C_d for accurate timing. T_a is approximately given by (see [Figure 5](#)):

$$T_a (\mu\text{s}) = 0.7 * R_d (\text{k}\Omega) * C_d (\text{nF})$$

The turn-on delay can be disabled by connecting the CD pin to VREF with a 4.7 kΩ resistor.

Input signals with ON-time smaller than T_a are ignored.

5.5 Desaturation protection

Desaturation protection ensures the protection of the IGBT in the event of overcurrent. When the DESAT voltage goes higher than $V_H - 2V$, the TD352 OUT pin is driven low. The fault state is only exited after a power-down and power-up cycle.

A programmable blanking time is used to allow enough time for IGBT saturation. Blanking time is provided by an internal current source and external C_{des} capacitor. The T_{bdes} blanking time value is given by:

$$T_{bdes} = V_{des} * C_{des} / I_{des}$$

At $V_H = 16V$, T_{bdes} is approximately given by:

$$T_{bdes} (\mu s) = 0.056 * C_{des} (pF)$$

5.6 Output stage

The output stage is able to sink/source 1.7 A/1.3 A (typical) at 25 °C and 1.0 A/0.75 A min. over the full temperature range. This current capability is specified near the usual IGBT Miller plateau.

5.7 Undervoltage protection

Undervoltage detection protects the application in the event of a low V_H supply voltage (during startup or a fault situation). During undervoltage, the OUT pin is driven low (active pull-down for $V_H > 2V$, and passive pull-down for $V_H < 2V$).

Figure 3. Undervoltage protection

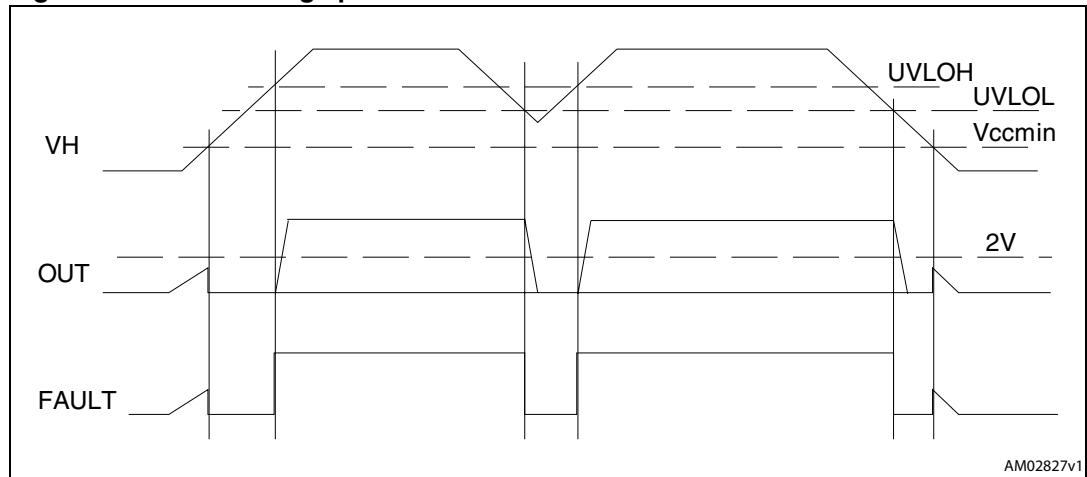
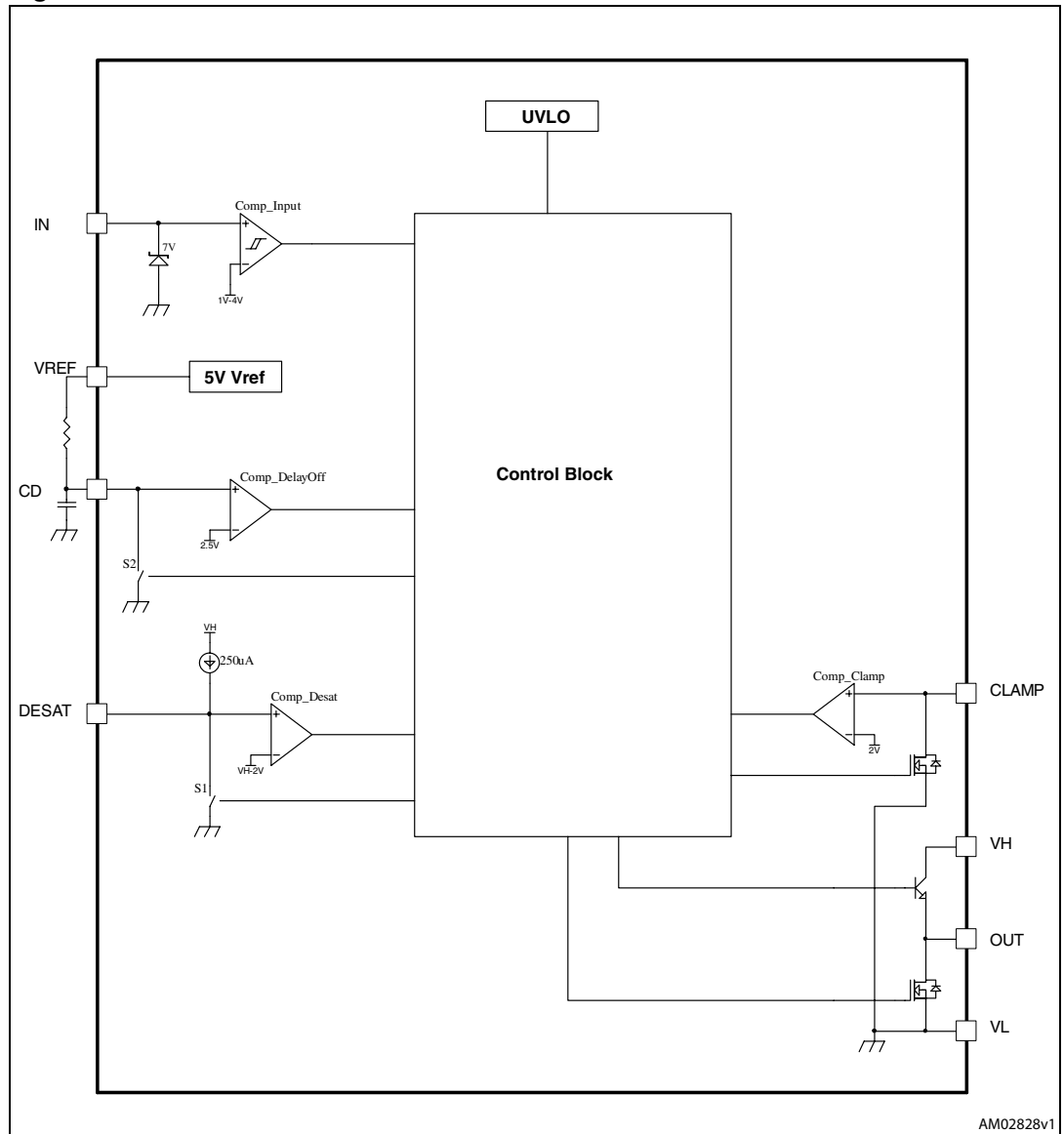
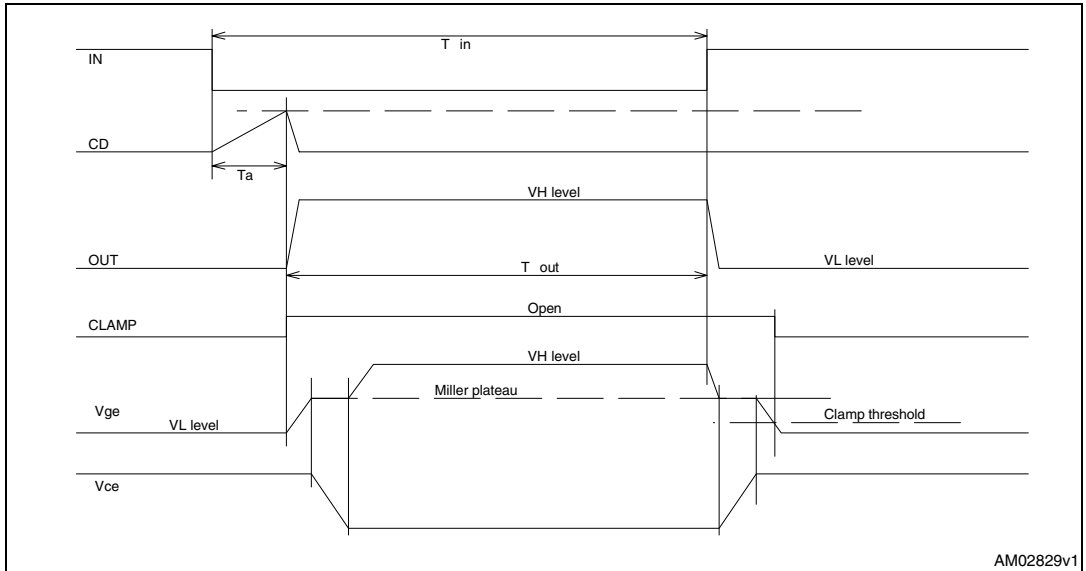


Figure 4. Detailed internal schematic



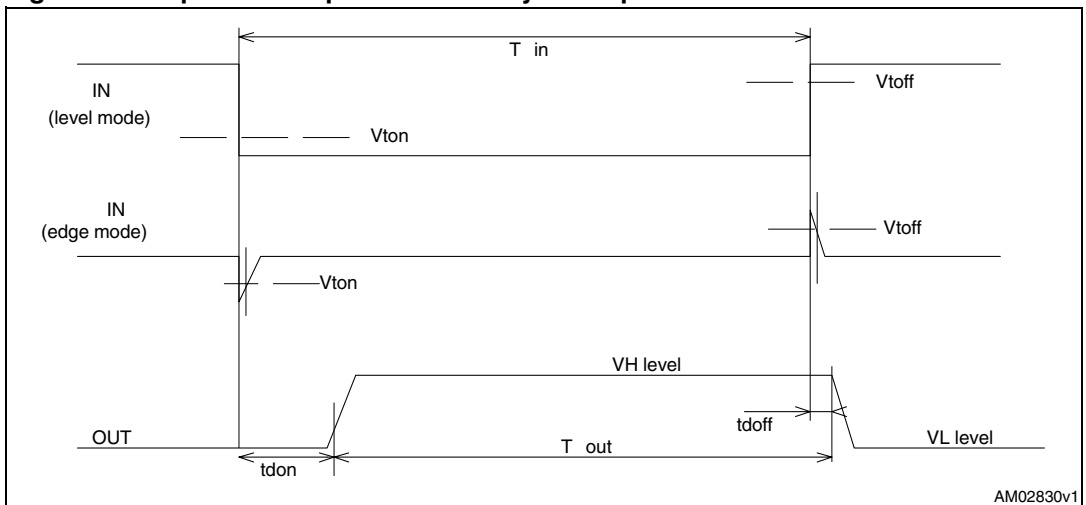
6 Timing diagrams

Figure 5. General turn-on and turn-off sequence



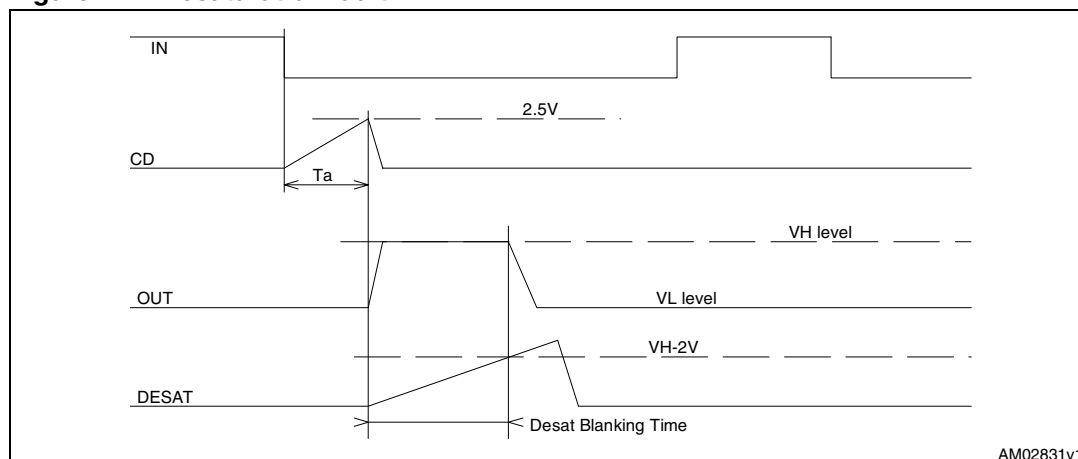
AM02829v1

Figure 6. Input and output waveform dynamic parameters



AM02830v1

Figure 7. Desaturation fault



7 Typical performance curves

Figure 8. Quiescent current vs temperature

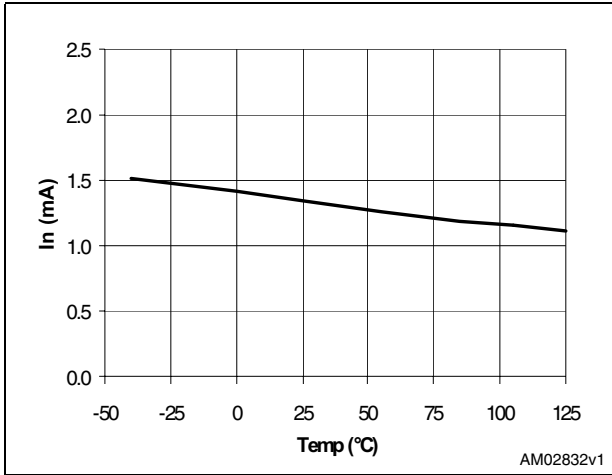


Figure 9. Rdel resistance vs temperature

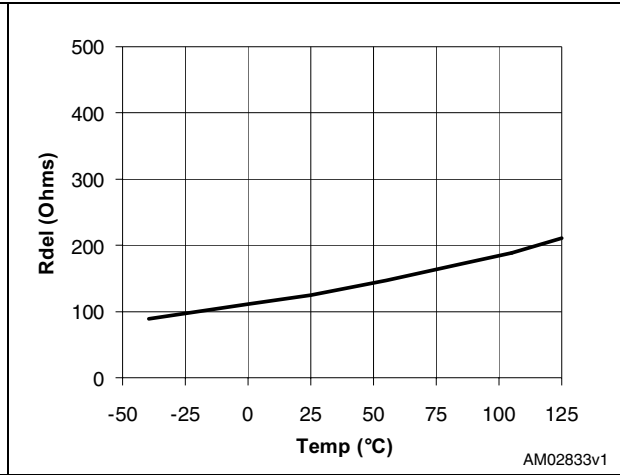


Figure 10. Low level output voltage vs temp.

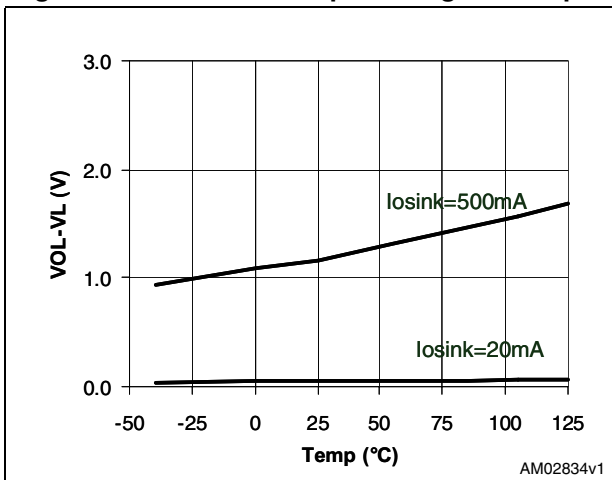


Figure 11. High level output voltage vs temp.

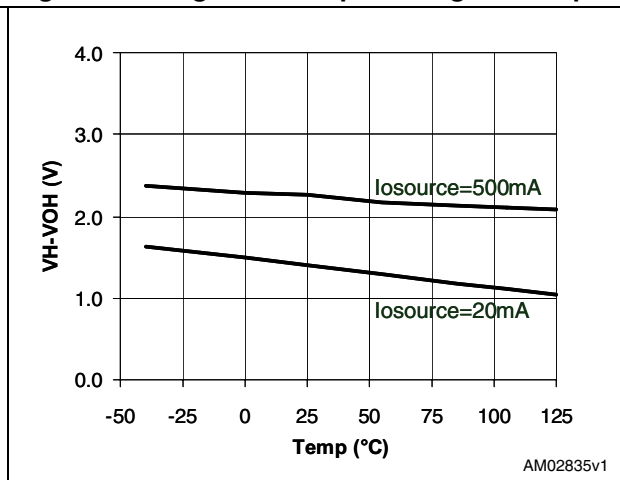


Figure 12. Sink current vs temperature

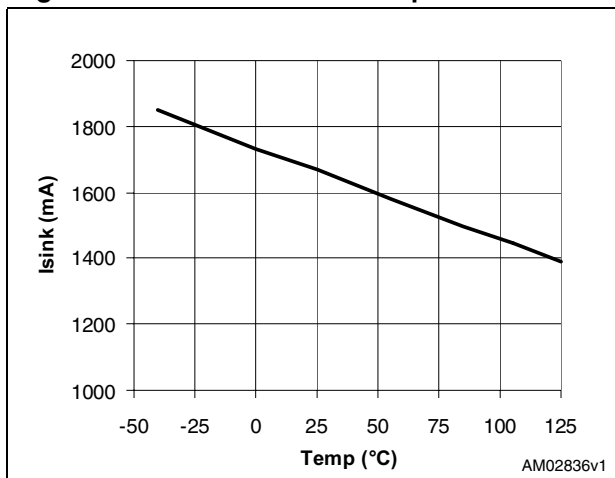
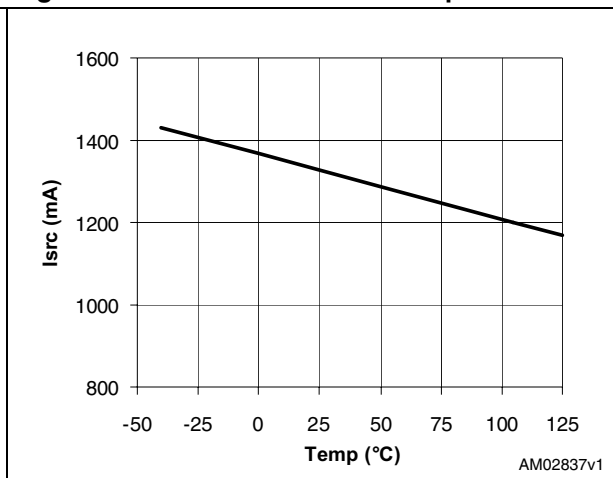


Figure 13. Source current vs temperature



8 Application diagrams

Figure 14. Single supply IGBT drive with active Miller clamp and DESAT protection

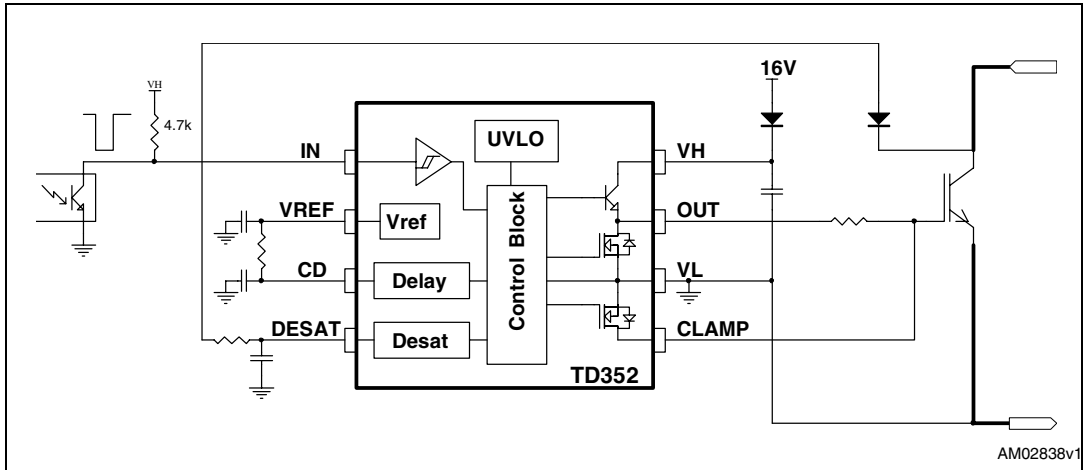


Figure 15. Use of DESAT input for direct overcurrent detection

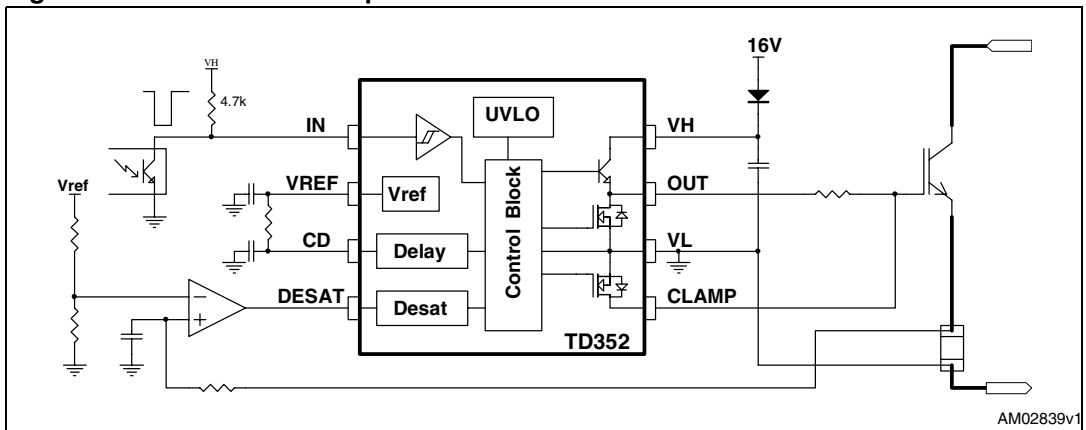
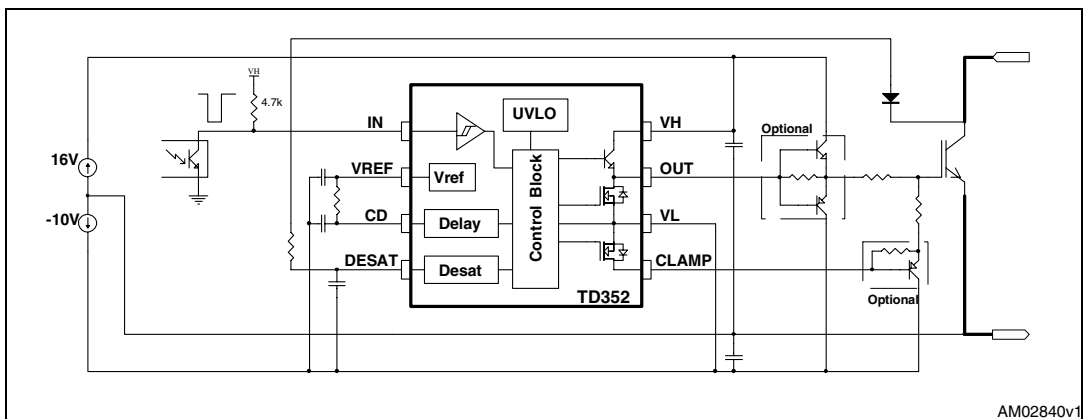


Figure 16. Large IGBT drive with negative voltage gate drive and optional current buffers



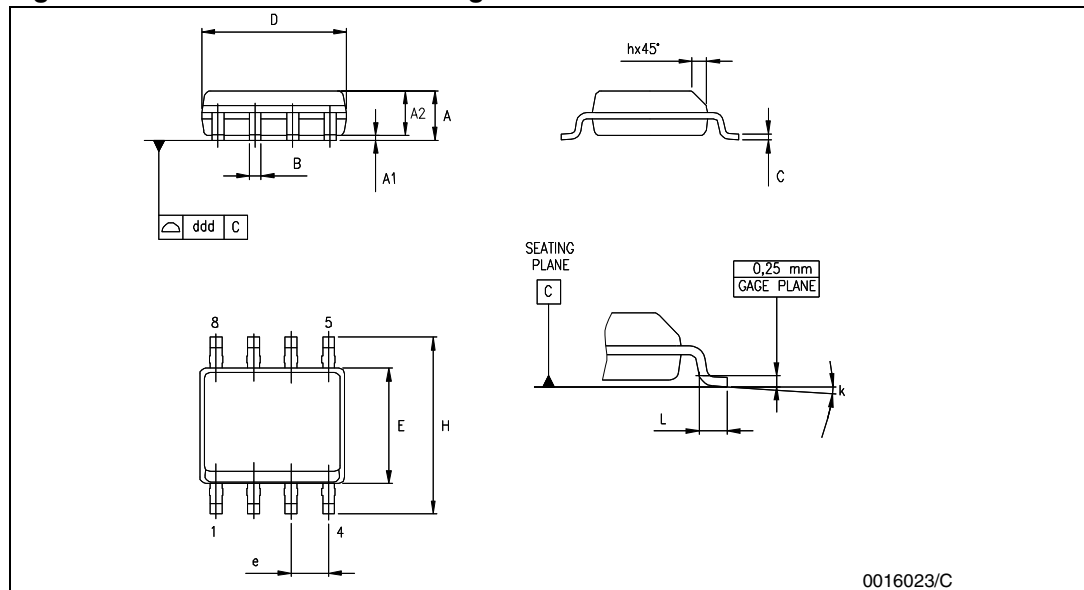
9 Package mechanical data

In order to meet environmental requirements, ST offers these devices in different grades of ECOPACK® packages, depending on their level of environmental compliance. ECOPACK® specifications, grade definitions and product status are available at: www.st.com. ECOPACK® is an ST trademark.

Table 6. SO-8 mechanical data

Dim.	mm.			inch		
	Min.	Typ	Max.	Min.	Typ.	Max.
A	1.35		1.75	0.053		0.069
A1	0.10		0.25	0.04		0.010
A2	1.10		1.65	0.043		0.065
B	0.33		0.51	0.013		0.020
C	0.19		0.25	0.007		0.010
D	4.80		5.00	0.189		0.197
E	3.80		4.00	0.150		0.157
e		1.27			0.050	
H	5.80		6.20	0.228		0.244
h	0.25		0.50	0.010		0.020
L	0.40		1.27	0.016		0.050
k	(max.) 8					
ddd			0.1			0.04

Figure 17. SO-8 mechanical drawing



10 Revision history

Table 7. Document revision history

Date	Revision	Changes
01-Nov-2004	1	Initial release
13-Jun-2011	2	Deleted order code TD352IN. Content reworked to improve readability.

Please Read Carefully:

Information in this document is provided solely in connection with ST products. STMicroelectronics NV and its subsidiaries ("ST") reserve the right to make changes, corrections, modifications or improvements, to this document, and the products and services described herein at any time, without notice.

All ST products are sold pursuant to ST's terms and conditions of sale.

Purchasers are solely responsible for the choice, selection and use of the ST products and services described herein, and ST assumes no liability whatsoever relating to the choice, selection or use of the ST products and services described herein.

No license, express or implied, by estoppel or otherwise, to any intellectual property rights is granted under this document. If any part of this document refers to any third party products or services it shall not be deemed a license grant by ST for the use of such third party products or services, or any intellectual property contained therein or considered as a warranty covering the use in any manner whatsoever of such third party products or services or any intellectual property contained therein.

UNLESS OTHERWISE SET FORTH IN ST'S TERMS AND CONDITIONS OF SALE ST DISCLAIMS ANY EXPRESS OR IMPLIED WARRANTY WITH RESPECT TO THE USE AND/OR SALE OF ST PRODUCTS INCLUDING WITHOUT LIMITATION IMPLIED WARRANTIES OF MERCHANTABILITY, FITNESS FOR A PARTICULAR PURPOSE (AND THEIR EQUIVALENTS UNDER THE LAWS OF ANY JURISDICTION), OR INFRINGEMENT OF ANY PATENT, COPYRIGHT OR OTHER INTELLECTUAL PROPERTY RIGHT.

UNLESS EXPRESSLY APPROVED IN WRITING BY AN AUTHORIZED ST REPRESENTATIVE, ST PRODUCTS ARE NOT RECOMMENDED, AUTHORIZED OR WARRANTED FOR USE IN MILITARY, AIR CRAFT, SPACE, LIFE SAVING, OR LIFE SUSTAINING APPLICATIONS, NOR IN PRODUCTS OR SYSTEMS WHERE FAILURE OR MALFUNCTION MAY RESULT IN PERSONAL INJURY, DEATH, OR SEVERE PROPERTY OR ENVIRONMENTAL DAMAGE. ST PRODUCTS WHICH ARE NOT SPECIFIED AS "AUTOMOTIVE GRADE" MAY ONLY BE USED IN AUTOMOTIVE APPLICATIONS AT USER'S OWN RISK.

Resale of ST products with provisions different from the statements and/or technical features set forth in this document shall immediately void any warranty granted by ST for the ST product or service described herein and shall not create or extend in any manner whatsoever, any liability of ST.

ST and the ST logo are trademarks or registered trademarks of ST in various countries.

Information in this document supersedes and replaces all information previously supplied.

The ST logo is a registered trademark of STMicroelectronics. All other names are the property of their respective owners.

© 2011 STMicroelectronics - All rights reserved

STMicroelectronics group of companies

Australia - Belgium - Brazil - Canada - China - Czech Republic - Finland - France - Germany - Hong Kong - India - Israel - Italy - Japan - Malaysia - Malta - Morocco - Philippines - Singapore - Spain - Sweden - Switzerland - United Kingdom - United States of America

www.st.com

Данный компонент на территории Российской Федерации

Вы можете приобрести в компании MosChip.

Для оперативного оформления запроса Вам необходимо перейти по данной ссылке:

<http://moschip.ru/get-element>

Вы можете разместить у нас заказ для любого Вашего проекта, будь то серийное производство или разработка единичного прибора.

В нашем ассортименте представлены ведущие мировые производители активных и пассивных электронных компонентов.

Нашей специализацией является поставка электронной компонентной базы двойного назначения, продукции таких производителей как XILINX, Intel (ex.ALTERA), Vicor, Microchip, Texas Instruments, Analog Devices, Mini-Circuits, Amphenol, Glenair.

Сотрудничество с глобальными дистрибьюторами электронных компонентов, предоставляет возможность заказывать и получать с международных складов практически любой перечень компонентов в оптимальные для Вас сроки.

На всех этапах разработки и производства наши партнеры могут получить квалифицированную поддержку опытных инженеров.

Система менеджмента качества компании отвечает требованиям в соответствии с ГОСТ Р ИСО 9001, ГОСТ РВ 0015-002 и ЭС РД 009

Офис по работе с юридическими лицами:

105318, г.Москва, ул.Щербаковская д.3, офис 1107, 1118, ДЦ «Щербаковский»

Телефон: +7 495 668-12-70 (многоканальный)

Факс: +7 495 668-12-70 (доб.304)

E-mail: info@moschip.ru

Skype отдела продаж:

moschip.ru

moschip.ru_4

moschip.ru_6

moschip.ru_9