

Restrictions:

The IDT ZSC31014 SSC Evaluation Kit hardware and software are designed for ZSC31014 RBiC_iLite™ evaluation, laboratory setup and module development only.

The IDT ZSC31014 SSC Evaluation Kit hardware and software must not be used for module production and production test setups. IDT shall not be liable for any damages arising out of defects resulting from (i) delivered hard and software (ii) non-observance of instructions contained in this manual, or (iii) misuse, abuse, use under abnormal conditions or alteration by anyone other than IDT. To the extent permitted by law, IDT hereby expressly disclaims and User expressly waives any and all warranties, whether express, implied or statutory, including, without limitation, implied warranties of merchantability and of fitness for a particular purpose, statutory warranty of non-infringement and any other warranty that may arise by reason of usage of trade, custom or course of dealing.

Contents

1	Kit Contents	5
2	ZSC31014 SSC Evaluation Board	6
2.1.	Overview	6
2.2.	Connections to the ZSC31014	7
2.3.	Power Supply to the Board	7
2.4.	Reset Switch	7
2.5.	Connecting a Customer Module to the SCC Evaluation Board	7
2.6.	Connecting an External Bridge and External Temperature Sensor to the SSC Evaluation Board	8
3	Installing and Setting up the Software and USB Drivers	8
3.1.	Installing the ZSC31014 iLiteTester™ Software	8
3.2.	Installing the USB Drivers	8
3.3.	“Find Com” on the Setup Menu	9
3.4.	“Change IC Rev” on the Setup Menu	9
3.5.	“I2C Comm Addr” Field	9
3.6.	Special Feature “Change I ² C Speed” on the Setup Menu	10
3.7.	Special Feature “Find I ² C Address” on the Setup Menu	10
3.8.	Special Feature “Power Down Time” on the Setup Menu	10
3.9.	Special Feature “Power up all DUTs” on the Setup Menu	10
4	ZSC31014 iLiteTester™ Software	11
4.1.	Overview	11
4.1.1.	Log Files	11

4.1.2. Data File caldata.txt	11
4.2. Bridge and Temperature Display	11
4.3. “Log File” Field	13
4.4. “Start CM” Button	13
4.5. “Start NOM” Button	13
4.6. “Normal Mode” Section	13
“Run Continuous” Button	13
“Sample Rate” Field	13
“Average Samples” Field	13
4.7. “EEPROM Editor” Section	14
“Read” Button	14
“Load File” Button	14
“Save File” Button	15
4.8. “Communication and Operation Config” Section	15
“Comm Type” Menu	15
“Clock Freq” Menu	15
“I2C Addr” Field	15
“Lock I2C Address” Checkbox	15
“Sleep Mode” Checkbox	15
“Update_Rate” Menu	16
“Sensor Short Check” Checkbox	16
“Sensor Connection Check” Checkbox	16
4.9. Math Config Section	16
“SOT_Curve” Menu	16
“Negative Coeffs” Subsection	16
4.10. “Front End Config” Section	16
“A2D_Offset” Menu	17
“PreAmp_Gain” Menu	18
“Negative” Checkbox	18
“LongInt” Checkbox	18
“Bsink” Checkbox	18
“Gain8X” Checkbox	18
4.11. “Calibration” Button	18
“Start #”, “Num Asics” and “Get ID” Button	19
5 Calibration	19

5.1. Calibration Sequence.....	19
Step 1 – Assigning a Unique Identification (ASIC ID Section)	21
Step 2 – Data Collection	21
Step 3 – Calculating and Writing the Coefficients	22
5.2. Dry Run Calibration.....	23
Steps for a Dry Run Calibration using the Sensor Replacement Board:.....	24
6 Calculation of ZSC31014 Calibration Coefficients Off-line.....	26
7 ZSC31014 Software with the IDT SSC Terminal	28
7.1. Protocol.....	28
7.2. IDT SSC Terminal.....	28
8 Command/Data Pair Encoding	30
9 Related Documents	31
10 Glossary	31
11 Document Revision History	32
Appendix A: Schematic ZSC31014 SSC Evaluation Board.....	33
Appendix B: Format of the <i>caldata.txt</i> file	34

List of Figures

Figure 1.1	ZSC31014 SSC Evaluation Kit	5
Figure 2.1	ZSC31014 SSC Evaluation Board Overview.....	6
Figure 2.2	Universal SSC Test Board.....	7
Figure 3.1	Setting up Communications.....	9
Figure 3.2	Select the Specific Power Down Time and “Change I ² C Speed”	10
Figure 4.1	Bridge and Temperature Measurements Display	12
Figure 4.2	EEPROM Editor	14
Figure 4.3	Select Temperature A2D_Offset.....	17
Figure 4.4	Calibration Window	19
Figure 5.1	Initialization Configuration Dialog Box	20
Figure 5.2	Initialization Dialog Window with Default Values (Calibration with Artificial Bridge).....	23
Figure 5.3	Initialization Dialog Window with Changed Values (Calibration with SRB)	25
Figure 6.1	Fields for Manually Entering Target and Raw Values	27
Figure 7.1	SSC Terminal Program Sample	29

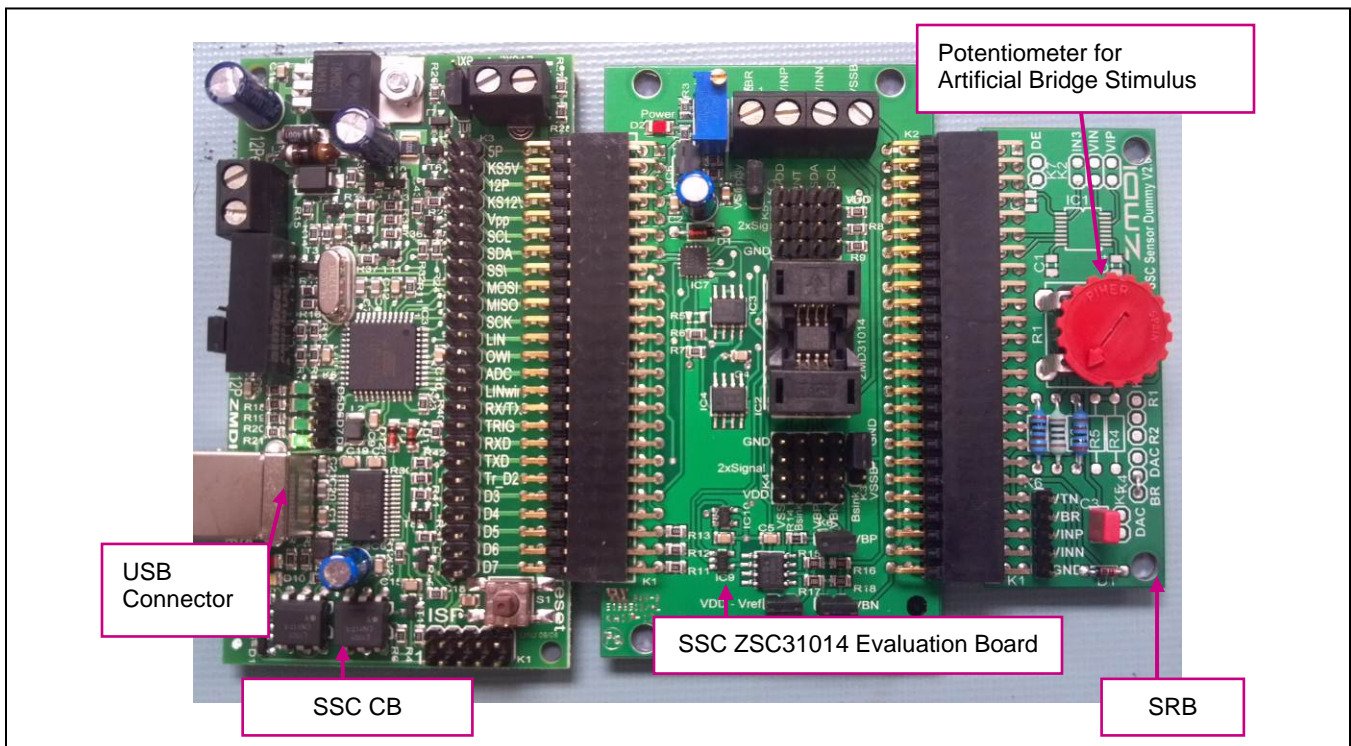
List of Tables

Table 5.1	Offset_B Default Values Determined by A2D_Offset Settings	21
Table 7.1	IDT SSC Terminal Character Assignment.....	28
Table 8.1	Encoding for the 3 Bytes after the Initial I ² C WRITE Command Byte	30

1 Kit Contents

- SSC ZSC31014 Evaluation Board, V1.0
- SSC Communication Board (SSC CB), Ver. X.x, including one USB cable (for further information for the CB, see *SSC_Communication Board_VX-x_DataSheet_Rev_X_x.pdf* and *SSC_CommunicationBoard_CommandSyntax_Rev_X_x.xls* in the *Manual Evaluation Kit* folder on the DVD)
- SSC Sensor Replacement Board (SRB) (SSC Sensor Dummy V2.0)
- SSC DVD, including the ZSC31014 iLiteTester™ software for evaluation and calibration
- 5 ZSC31014DAG1 (SOP8 150mil)
- SSC Kit start up information

Figure 1.1 ZSC31014 SSC Evaluation Kit



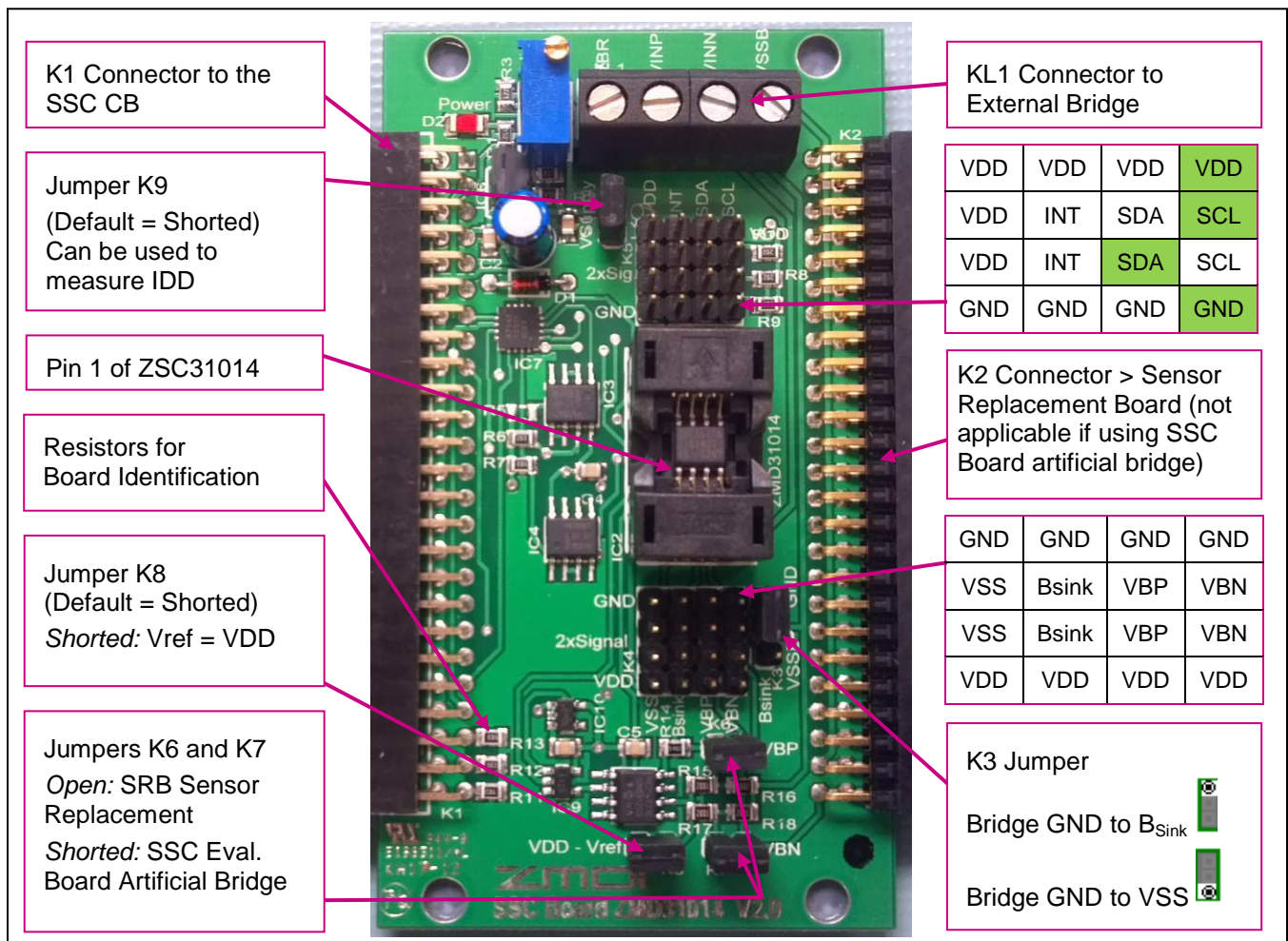
The ZSC31014 SSC Evaluation Kit contains the software and hardware needed for communication and calibration of a ZSC31014 sensor signal conditioning IC. A user's PC can communicate with a ZSC31014 socketed on the SSC Evaluation Board via an SSC Communication Board through a USB connection. The software should function on any Windows® 2000/XP/ Vista / Windows® 7 system after installation of a USB driver. Both the SSC Evaluation Board and the Sensor Replacement Board (SRB) can provide a replacement for a sensor. Only one of these can be used at a time for calibration as determined by the settings of jumpers K6 and K7 (see Figure 2.1). On the SRB, the sensor replacement is controlled by a potentiometer (see Figure 1.1). The SRB can be disconnected if the SSC Evaluation Board's sensor replacement (artificial bridge stimulus) will be used.

2 ZSC31014 SSC Evaluation Board

2.1. Overview

The main purpose of the SSC Evaluation System is communication between the PC and the ZSC31014 (referred to as the DUT). The PC sends commands and data via the USB port on the CB (virtual com port). The microcontroller on the SSC CB interprets these commands and relays them to the ZSC31014 in the I²C bus standard format (K1 Pin 9/SCL Pin 11/SCK). The microcontroller will also forward any data bytes from the ZSC31014 back to the PC via the USB connection. These bytes can be bridge and temperature readings to be displayed by the PC software, raw ADC readings used during calibration, or EEPROM content bytes.

Figure 2.1 ZSC31014 SSC Evaluation Board Overview¹



¹ See section 2.5 for details on the K5 connector pins labeled with green shading.

2.2. Connections to the ZSC31014

The SSC Evaluation Board has an SOP-8 socket for inserting the ZSC31014.

Using the VDD, GND, SDA/MISO, SCL/SCLK and INT/SS/ connections on connector K5 on the SSC Evaluation Board, the board can be used for in-circuit programming of the ZSC31014 in the user's calibration fixture.

NOTE: Only one ASIC connection option can be used at a time.

2.3. Power Supply to the Board

The K1 connector to the SSC CB provides the power supply from the SSC CB's USB port to the SSC Evaluation Board. Using the power via the USB port, the maximum current that can be provided is 40mA. All functions of the board are operative down to 2.7V. The board has a red LED labeled D1, which lights if the board has power.

The current consumption of the ZSC31014 can be measured by removing the jumper on 2-pin connector K9 and reading across the pins with an ammeter.

2.4. Reset Switch

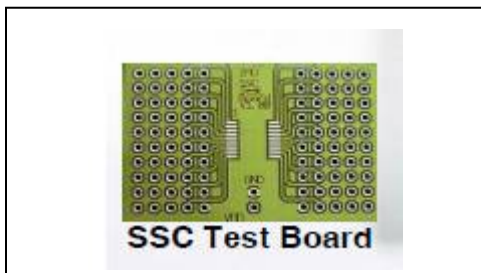
During operation, use the push button on the Communication Board to reset communications if needed.

2.5. Connecting a Customer Module to the SSC Evaluation Board

A customer-specific sensor module usually includes a bridge sensor and a ZSC31014 contained in a protective casing. These modules provide access to Vdd, GND, SCL, and SDA pins via extended wires. These wires should be connected to the corresponding pins of K5 (refer to Figure 2.1; pins are indicated with green shading) on the ZSC31014 SSC Evaluation Board for evaluation and programming of the module. The packaged ZSC31014 chip must be removed from the IC socket when an external module is connected to the SSC Evaluation Board.

A universal test board (refer to Figure 2.2) is also available for users who would like to use ZSC31014 in an SOP8 package and make connections to the ZSC31014 SSC Evaluation Board via pins on K5. The universal test board supports first test applications for IDT's different SSOP/SOP packaging.

Figure 2.2 Universal SSC Test Board



2.6. Connecting an External Bridge and External Temperature Sensor to the SSC Evaluation Board

Use the Excel™ file *ZSC31014_iLite_Ext_Temperature_Meas_RevX.xls* to determine the value of the PTC. Follow these steps for connecting an external bridge and external temperature sensor to the SSC Evaluation Board:

- Remove the SRB and open the jumpers on K5 and K6 (refer to Figure 2.1).
- Connect the external bridge to KL1: VBR, VINP and VINN.
- **Important:** Leave VSSB open. Connect the bridge bottom to the Bsink pin on K3.
- Short K3 VSSB to GND.
- Solder the top of the PTC resistor to pin 10 on terminal block K4 (BSINK).
- Solder the bottom of PTC resistor to pin 9 on terminal block K4 (VSS)

3 Installing and Setting up the Software and USB Drivers

3.1. Installing the ZSC31014 iLiteTester™ Software

The ZSC31014 SSC Evaluation Kit DVD contains a setup program (*setup.exe*), which automatically installs the iLiteTester™ software when clicked. Follow the dialog boxes to complete the installation, which automatically creates a shortcut on the PC desktop. Clicking this icon opens the ZSC31014 iLiteTester™ software for evaluating and calibrating ZSC31014 modules, which can also be used for the ZSC31014 SSC Mass Calibration Kit.

Important: Before using the ZSC31014 iLiteTester™ software, install the USB drivers as described below. When the software is activated for the first time, the COM port must be selected and the ZSC31014 silicon revision must be entered as described in section 3.3 and 3.4.

3.2. Installing the USB Drivers

The ZSC31014 SSC Evaluation Kit requires installation of two USB drivers. To install the drivers, the user's system must meet these requirements:

- 5x86-compatible PC
- 32 MB RAM
- Hard drive with 20MB free space
- USB port
- Windows® 2000/XP/ Vista / Windows® 7

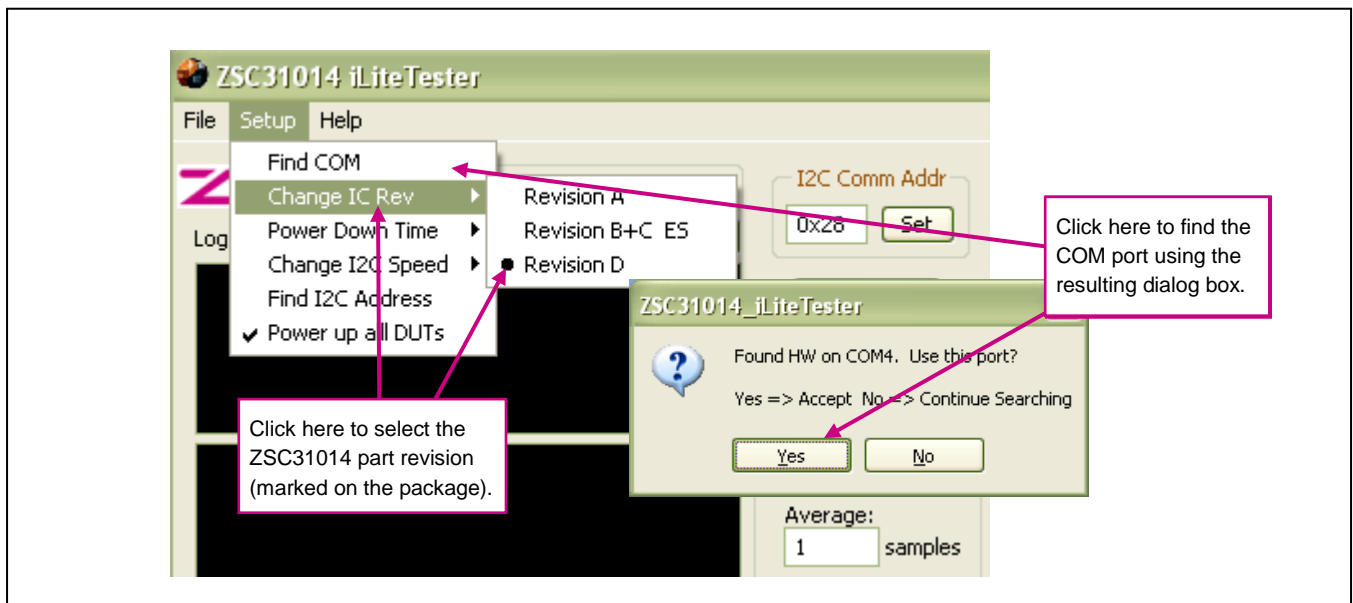
The two required driver files are in the *USB_Driver* folder on the DVD. These drivers will make the PC's USB port appear as a virtual COM port (typically COM3 or COM4 on most computers). The ZSC31014 iLiteTester™ software accesses the SSC Evaluation Board through the CB as if it were a COM (RS232) port. These drivers will not affect the operation of any other USB peripherals. Refer to *SSC_AN_CommunicationBoard_Driver_Installation_Rev_X.xx.pdf* for instructions on installing these two drivers and for determining the virtual COM port for the ZSC31014 SSC Evaluation Kit, which is needed for setting up the kit.

3.3. “Find Com” on the Setup Menu

After installing the software and the USB drivers, activate the software. The ZSC31014 iLiteTester™ software automatically detects which type of IDT evaluation board is connected. To set up communication with the SSC CB, click on “Setup” and then “Find COM.” Click “Yes” in the resulting dialog box if the COM port selected is acceptable. If not, click “No” until an acceptable COM port is found.

If communication fails, an error message detailing the reason for failure will be displayed. For a full list of all communication-related error messages, see the “Error-Code” tab in *SSC_CommunicationBoard_CommandSyntax_Rev_X_x.xls*.

Figure 3.1 *Setting up Communications*



3.4. “Change IC Rev” on the Setup Menu

Use the “Change IC Rev” option on the “Setup” menu to configure the software for the silicon revision of the ZSC31014 under test as shown in Figure 3.1. Refer to the ZSC31014 package for the silicon revision.

3.5. “I2C Comm Addr” Field

Use the “I2C Comm Addr” field to enter the address that the SSC CB uses to communicate with the ZSC31014 installed in the socket on the Evaluation Board. Then press “Set.” Valid settings are 00_{HEX} to 7F_{HEX}. The default is 28_{HEX}.

Note: There is also a setting “I2C Addr” in the “Communication and Operation Config” section for changing the slave address setting in the EEPROM of the ZSC31014 under test described in section 4.8, which includes important notes on matching the “I2C Comm Addr” and “I2C Addr” settings when the communication address is locked.

3.6. Special Feature “Change I²C Speed” on the Setup Menu

This feature sets the I²C speed to a different frequency (default value 100kHz).

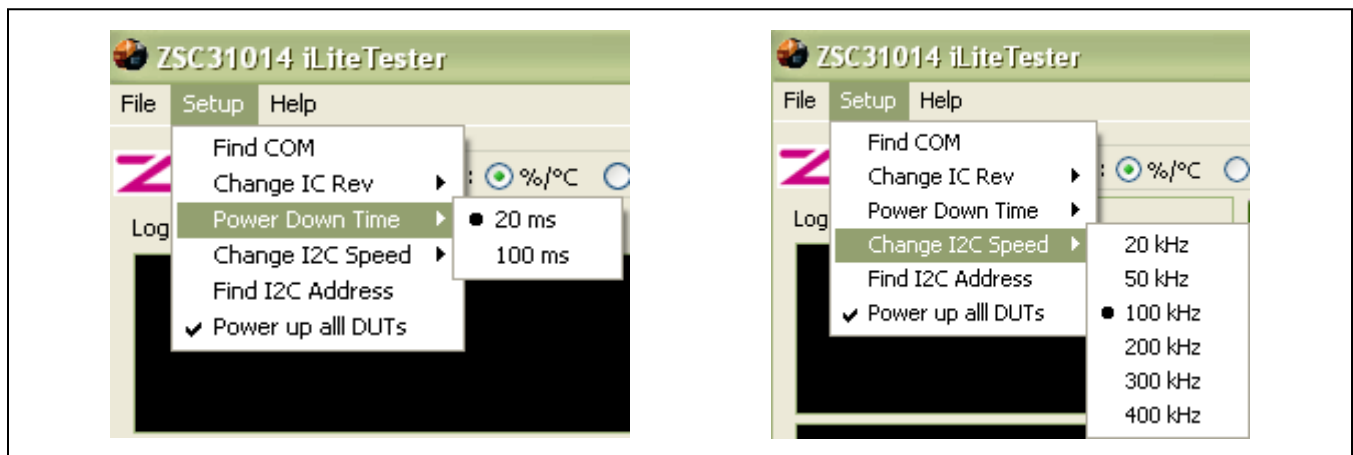
3.7. Special Feature “Find I²C Address” on the Setup Menu

This feature finds the I²C address; e.g., if the address was unintentionally changed and communication is locked. (See section 4.8.)

3.8. Special Feature “Power Down Time” on the Setup Menu

The “Power Down Time” setting under “Setup” allows selecting a specific power down time depending on the time constants of the user’s equipment.

Figure 3.2 Select the Specific Power Down Time and “Change I²C Speed”



3.9. Special Feature “Power up all DUTs” on the Setup Menu

This feature is not applicable to the ZSC31014 Evaluation Kit. It is used with the ZSC31014 Mass Calibration System (MSC). Refer to [SSC_MassCalibrationBoard_DataSheet_Rev_X_x.pdf](#) and [ZSC31014_SSC_Mass_Calibration_revX.x.pdf](#) for more information.

4 ZSC31014 iLiteTester™ Software

4.1. Overview

The IDT software provided with the ZSC31014 SSC Evaluation Kit is intended for demonstration purposes and calibration of single units. The installation folder is (*C:\program files\ZMD\ZSC31014*)². IDT can provide the user with algorithms and assistance in developing their full production calibration software. Five types of text files support the software user:

4.1.1. Log Files

These files are saved in *C:\My Documents\ZMD\ZSC31014*¹

- When the software is activated and the communication port is opened, a *CommLog.txt* file is saved. This file is a log of the communication to the IC during the software session and can be saved after closing the software by renaming the file. Otherwise, it would be overwritten the next time the software is opened.
- In Command Mode (CM) the user can save/load the EEPROM contents from a *.eep file to the EEPROM and vice versa.
- In Normal Operation Mode (NOM) the user can log bridge and temperature readings to the *DataLog.txt* file.
- The calibration is documented in the *CalibrationLog.txt* file, which is more convenient for users than the *caldata.txt* file.

4.1.2. Data File caldata.txt

The *caldata.txt* file² is used by the software for calibration. Its structure is explained in Appendix B. Depending on the Windows system, the file is saved in one of the following locations:

- for Windows 2000 and Windows XP
in *C:\Documents and Settings\All Users\Application Data\ZMD\ZSC31014*
- for Windows Vista
C:\ProgramData\ZMD\ZSC31014

4.2. Bridge and Temperature Display

The software displays two large readout windows for temperature and bridge values (see Figure 4.1). The temperature reading is the ZSC31014 temperature in °C. The bridge reading is in %. Calibration determines the relationship of the % reading to the value the bridge is measuring. If the ZSC31014 has not been temperature calibrated, the displayed temperature is invalid.

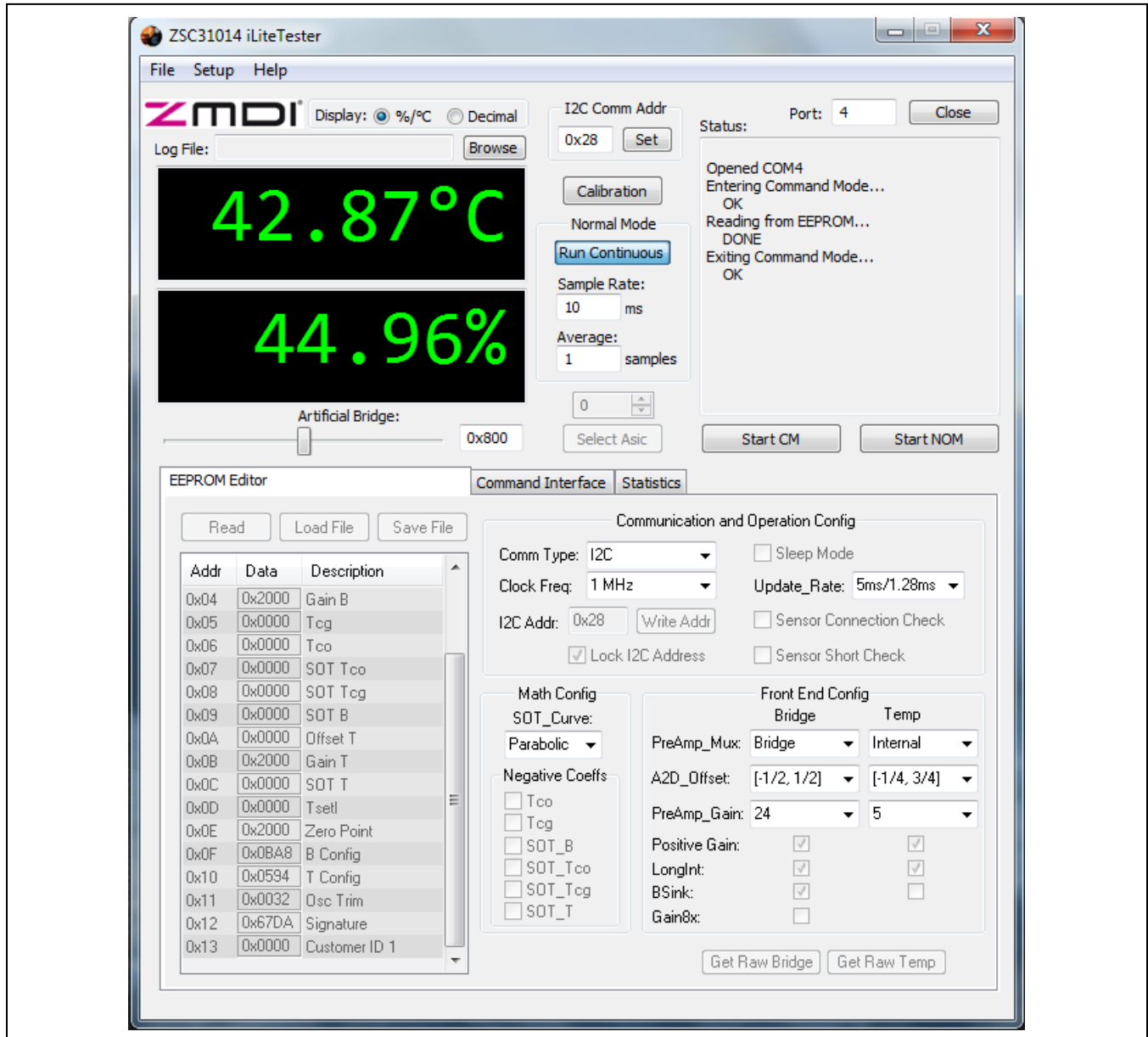
There is a continuous transmission of bridge readings and temperature readings.

² For SW revisions <1.400, these files are stored in *C:\program files\ZMD America\ZSC31014_iLite* or *C:\program files\ZMD\ZSC31014_iLite*.

The different colors of the display field indicate the IC mode:

Color	Green	Blue	Red	Yellow
IC Mode/State	Valid value (NOM)	Valid (CM)	Diagnostic	Invalid value (NOM) ³

Figure 4.1 Bridge and Temperature Measurements Display



³ For more details refer to section 3 of the [ZSC31014_iLite_Data_Sheet.pdf](#).

The ZSC31014 is designed to be a generic resistive bridge conditioner, but for the following calibration example, assume it is connected to a pressure bridge. If the unit is calibrated to read pressure with 50kPa reading as 100% and 10kPa reading as 0%, then the span of pressure readings would be 40kPa. Half of that span (20kPa) plus the set zero point (10kPa) should be the 50% point. After calibration, if the chamber is set to 30kPa, the ZSC31014 should give a 50% reading.

4.3. “Log File” Field

Bridge and temperature readings can be logged to a PC file. Use the “Browse” button to select the filename and directory where the file will be stored. Then click “Open.” The “Sample Rate” field sets how often the data is collected. If the sample rate is 0 sec, then an entry is written for each transmission from the ZSC31014.

The resulting text file is a space-delimited ASCII file and can be imported into Microsoft Excel®.

4.4. “Start CM” Button

To communicate to the ZSC31014, start the Command Mode (full command set, measurement cycle stopped) by clicking “START CM” (Start Command Mode).

4.5. “Start NOM” Button

To exit Command Mode and return the ZSC31014 to Normal Operation Mode (reading, conditioning and transmitting bridge data), click “START NOM” (Start Normal Operation Mode).

Note: For the ZSC31014, the NOM is recommended for the raw value collection during the calibration.

4.6. “Normal Mode” Section

“Run Continuous” Button

To start a continuous readout of bridge and temperature data, click the “Run Continuous” button.

“Sample Rate” Field

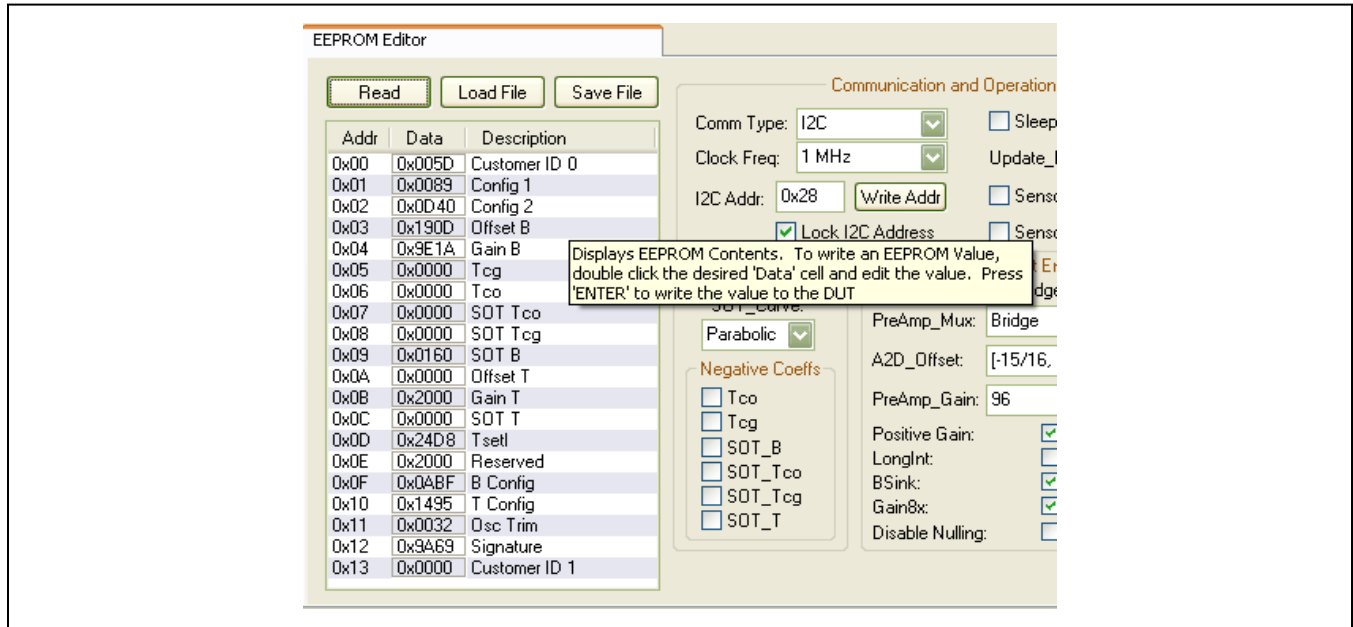
This field sets the period (ms) for the sample rate of the continuous read out. Valid settings are 10ms or longer.

“Average Samples” Field

This feature allows averaging the measured values by choosing the number of samples to average before displaying the result. Note this is a running average, so increasing the number to average increases the display’s settling time but does not affect the update rate.

4.7. “EEPROM Editor” Section

Figure 4.2 EEPROM Editor



Note: EEPROM words 10_{HEX}(T_Config) and 11_{HEX}(Osc Trim) are trimmed individually during IDT’s final test (For more details, see the ZSC31014 Rbic_{iLite}TM Data Sheet). Important: Ensure that these words are not overwritten.

“Read” Button

To read EEPROM settings, enter the Command Mode and click “Read.” The “EEPROM” section displays all the fields currently stored in the ZSC31014 EEPROM (non-volatile memory). Double clicking on the EEPROM contents allows editing the content. The EEPROM signature changes after the Command Mode is exited (Start_NOM).

“Load File” Button

EEPROM contents that have been previously saved in a text file can be written to the current EEPROM by clicking the “Load File” button. The default folder for the saved text file is C:\My Documents\ZMD\ZSC31014⁴. The standard WindowsTM dialog box for file opening results from clicking “Load File.”

⁴ For SW revisions <1.400, these files are stored in C:\program files\ZMD America\ZSC31014_iLite or C:\program files\ZMD\ZSC31014_iLite.

“Save File” Button

The EEPROM contents can be saved in a text file in the C:\My Documents\ZMDI\ZSC31014 directory ⁵ by clicking the “Save File” button. The standard Windows™ dialog box for file saving results.

4.8. “Communication and Operation Config” Section

This section is used to expedite programming configuration and communication settings in the EEPROM of the ZSC31014 under test.

“Comm Type” Menu

Three communication options are available on the “Comm Type” drop-down menu:

- I2C
- SPI (pos edge): SPI / MISO changes on positive edge clock frequency
- SPI (neg edge): SPI / MISO changes on negative edge clock frequency

“Clock Freq” Menu

Select 1MHz or 4MHz for the clock frequency for the ZSC31014 using the “Clock Freq” drop-down menu. The lower clock frequency (1MHz) is the recommend selection for lower power and better noise performance. If faster response time is required, the 4MHz clock frequency setting is needed.

“I2C Addr” Field

When the ZSC31014 is in I²C communication mode, the default slave address is 28_{HEX}. If a different slave address is required, program the part for the new address by entering the hex value of the new address in the “I2C Addr” field and then click “Write Addr.” The valid address range is 00_{HEX} to 7F_{HEX}.

Note: If the “Lock I2C Address” is on (see below), “I2C Addr” must match the “I2C Comm Addr” setting (see section 3.5).

“Lock I2C Address” Checkbox

Lock the slave address selection by clicking “Lock I2C Address” checkbox. Without this lock, the IC will respond to all I2C addresses.

“Sleep Mode” Checkbox

To select the Sleep Mode, click on the “Sleep Mode” checkbox; otherwise, the Update Rate Mode is selected as the default mode. The Sleep Mode enables the most power saving mode of the ZSC31014.

⁵ For SW revisions <1.400, these files are stored in C:\program files\ZMD America\ZSC31014_iLite or C:\program files\ZMDI\ZSC31014_iLite.

“Update_Rate” Menu

When operating in Update Mode, the update rate determines power consumption and response time. Select the update rate by clicking on one of the four update rates on the “Update_Rate” drop-down menu.

“Sensor Short Check” Checkbox

To enable the sensor short diagnostic, click on the “Sensor Short Check” checkbox.

“Sensor Connection Check” Checkbox

To enable the sensor open diagnostic, click on the “Sensor Connection Check” checkbox.

Note This check must be disabled when using the modular Sensor Replacement Board for evaluation. Its dummy bridge is actually only a half bridge and will always report a diagnostic case. For more details refer to the ZSC31014 Rbic_{iLite}[™] Data Sheet.

4.9. Math Config Section

“SOT_Curve” Menu

Some sensors perform better when compensated with a second order term (SOT) based on a zero-point symmetrical output function⁶ (S-shaped) instead of the parabolic curve function used to compensate more common sensors. The curve type is controlled by SOT_Curve (bit 9 in EEPROM word 01_{HEX}). Select the curve type from the “SOT_Curve” drop-down menu. When the S-shaped curve is selected, the zero point is in the middle of the output and a negative and positive output signal can be compensated using only the 2nd order term.

“Negative Coeffs” Subsection

The Tco, Tcg, SOT_Bridge, SOT_Tco, SOT_Tcg and SOT_T checkboxes in the “Negative Coeffs” section indicate the sign of the calculated calibration coefficients after calibration.

4.10. “Front End Config” Section

In the “Front End Config” section, select the configuration for the AFE (Analog Front End) as determined from the bridge sensor performance before starting calibration. The configuration for the temperature depends on the choice of an internal or external temperature sensor. For the internal sensor, a default calibration word is configured. Additional selections are available in the “Calibration/Set ASIC Configuration” window (click “Calibration” to initialize).

Note: The Excel[™] file *ZSC31014_AFE_Configuration.xls* can be used to determine the correct adjustment of the analog PreAmp gain and the analog A2D offset modes based on the known sensor characteristics. The Excel[™]sheet *ZSC31014_iLite_ext_Temperaturemeasurement.xls* can be used to determine the configuration for external temperature sensors.

⁶ For the ZSC31014 RBic_{iLite} revision A, only the parabolic curve is usable.

“A2D_Offset” Menu

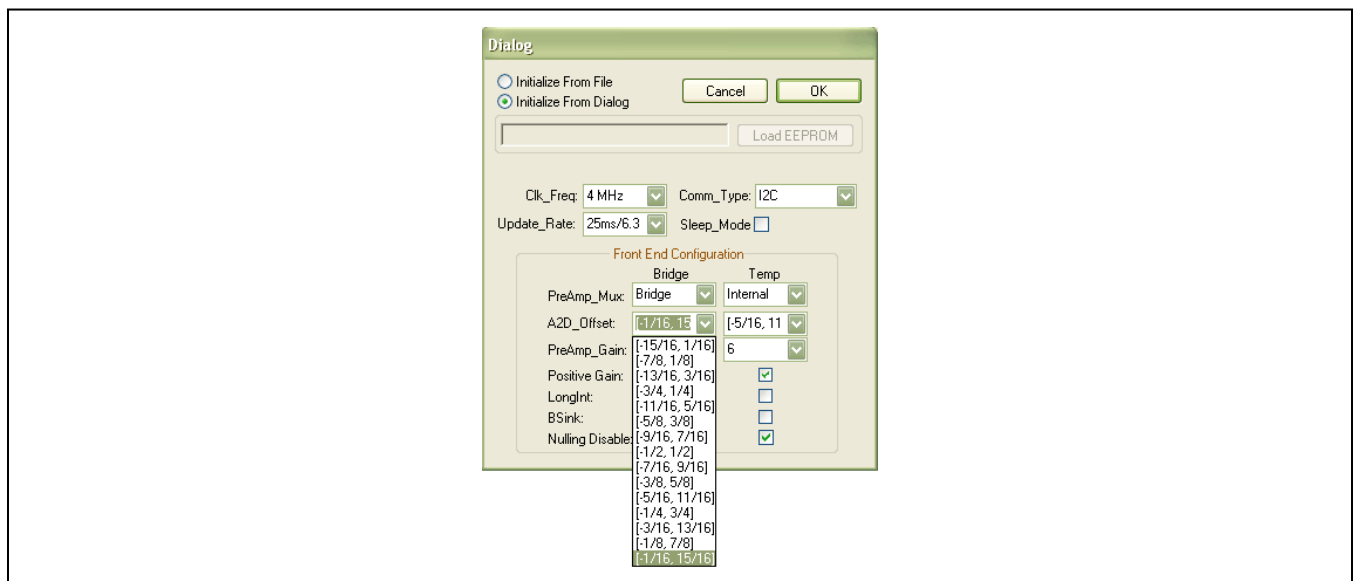
To help compensate for bridges that have a large inherent offset, the ZSC31014 has eleven programmable analog offset modes for bridge and temperature measurements. See Table 5.1 for the A2D offset settings.

Use the “A2D_Offset” drop-down menus for “Bridge” and “Temperature” to select the A2D offset mode settings, which are stored in EEPROM.

The [-1/2, 1/2] mode is best for a balanced bridge [-50mV, 50mV] @ VDD=5V (Pre-Amp=24). The [-1/16, 15/16] mode is best for positive-skewed bridges [-10mV, 90mV] @ VDD=5V (Pre-Amp=24).

Note: For ZSC31014 silicon revision D and higher, T_Config is configured individually to the specific internal temperature sensor during the final test and should not be changed. If this configuration is lost, it can be restored using the Temperature A2D Offset Mode shown in the Excel™ file *ZSC31014 Trim_Internal TempSensorT_Config.xls*.

Figure 4.3 Select Temperature A2D_Offset



The Gain_T is always 6. For more details, refer to *ZSC31014 Trim_Internal TempSensorT_Config.xls*.

Note for External Temperature Sensors: The A2D_Offset is always [-1/16, 15/16] if the “Positive Gain” setting is on, and [-15/16, 1/16] if it is off.

Note: As a single ended input, the temperature input signal must fit in the voltage range 1V to (VDD/2-1.2V).

“PreAmp_Gain” Menu

The ZSC31014 PreAmp amplifies the bridge signal to produce the differential signal that will be converted by the ADC. The PreAmp has eight possible analog gain settings: 1.5, 3, 6, 12, 24 (default), 48, 96, and 192⁷. Use the “PreAmp_Gain” drop-down menus for “Bridge” and “Temperature” to select the PreAmp gain settings, which are stored in EEPROM. (Note: This term is different from the digital gain terms Gain_B and Gain_T, which are multiplied by the result of the ADC to compensate sensor span for bridge and temperature measurements.)

Any bridge input signal greater than 40mV/V in differential mode will saturate the pre-amp if the gain is set to 24 (default). In this case, the pre-amp gain must be set to the lower value 12.

For very small differential input signals, the higher analog gain (e.g., 40) can improve the output resolution (see section 1.4 in the data sheet), but the sensor offset must always be considered as well as sensor span. Both the offset and span of the sensor are amplified by the pre-amp. With a high analog gain (48), the total offset plus span cannot exceed 20mV/V differential. Otherwise the input to the ADC will be saturated.

Note for External Temperature Sensors: The PreAmp_Gain is usually set to 3 or 5, which always guarantees the specified resolution.

Note: As a single ended input, the temperature input signal must fit in the voltage range 1V to (VDD/2-1.2V).

“Negative” Checkbox

To select negative bridge gain polarity, click on the “Negative” checkbox.

“LongInt” Checkbox

To select the longer conversion time for low noise, click on the “LongInt” checkbox. (For more details see the *ZSC31014 Rbic_{Lite}™ Data Sheet*.)

“Bsink” Checkbox

To enable the Bsink power-saving option, click on the “Bsink” checkbox.

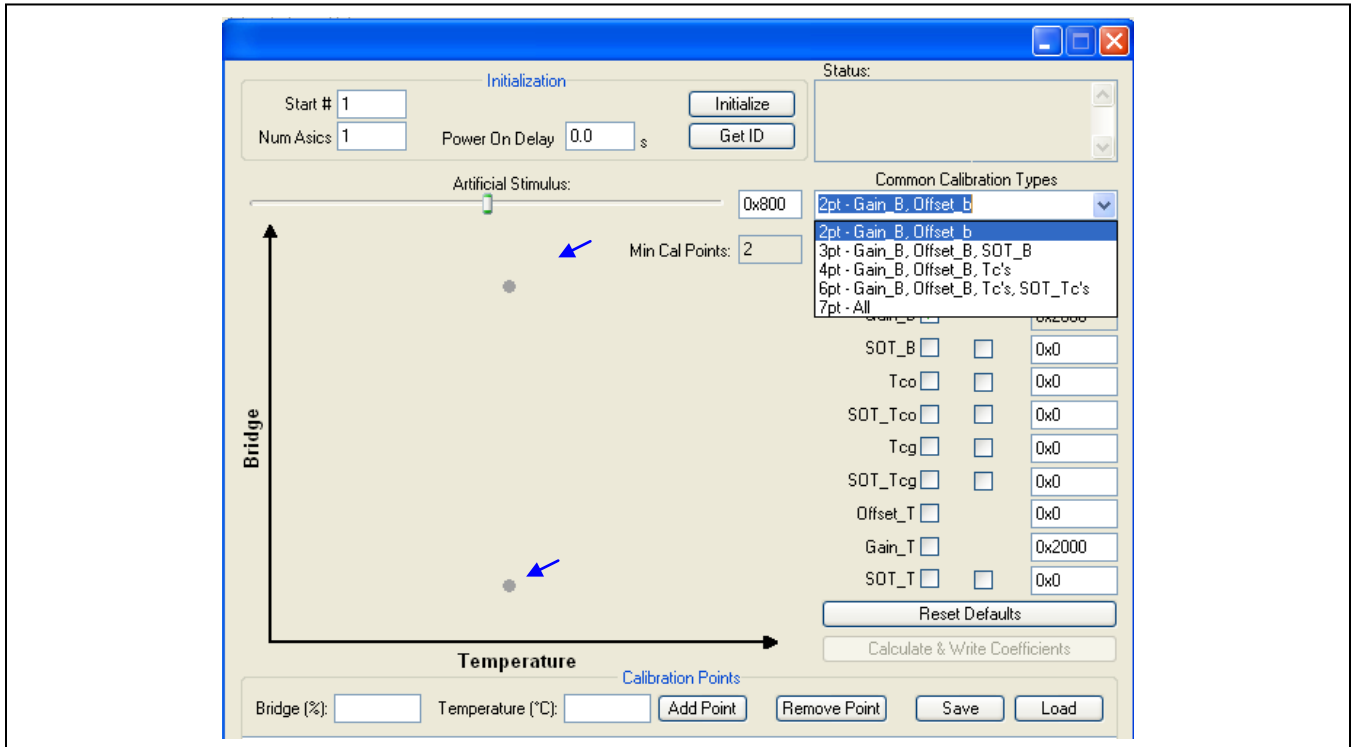
“Gain8X” Checkbox

If “Gain8X_B” is checked, the Gain_B is multiplied by a factor of 8. The check box is set by the calibration DLL as result of the calculated calibration coefficients stored in the EEPROM.

4.11. “Calibration” Button

To initiate a calibration run, click the “Calibration” button. This results in the calibration screen and dialog box shown in Figure 4.4. See section 5 for a full description of calibration and settings used on the “Calibration” window.

⁷ For the previous silicon revision (A), the PreAmp gain settings were 1, 3, 5, 15, 24 (default), 40, 72, and 120.

Figure 4.4 Calibration Window


“Start #”, “Num Asics” and “Get ID” Button

The features enabled by these buttons are available with the Mass Calibration Board. For more details, refer to [SSC_MassCalibrationBoard_DataSheet_Rev_X_x.pdf](#) and [ZSC31014_SSC_Mass_Calibration_revX.x.pdf](#).

5 Calibration

5.1. Calibration Sequence

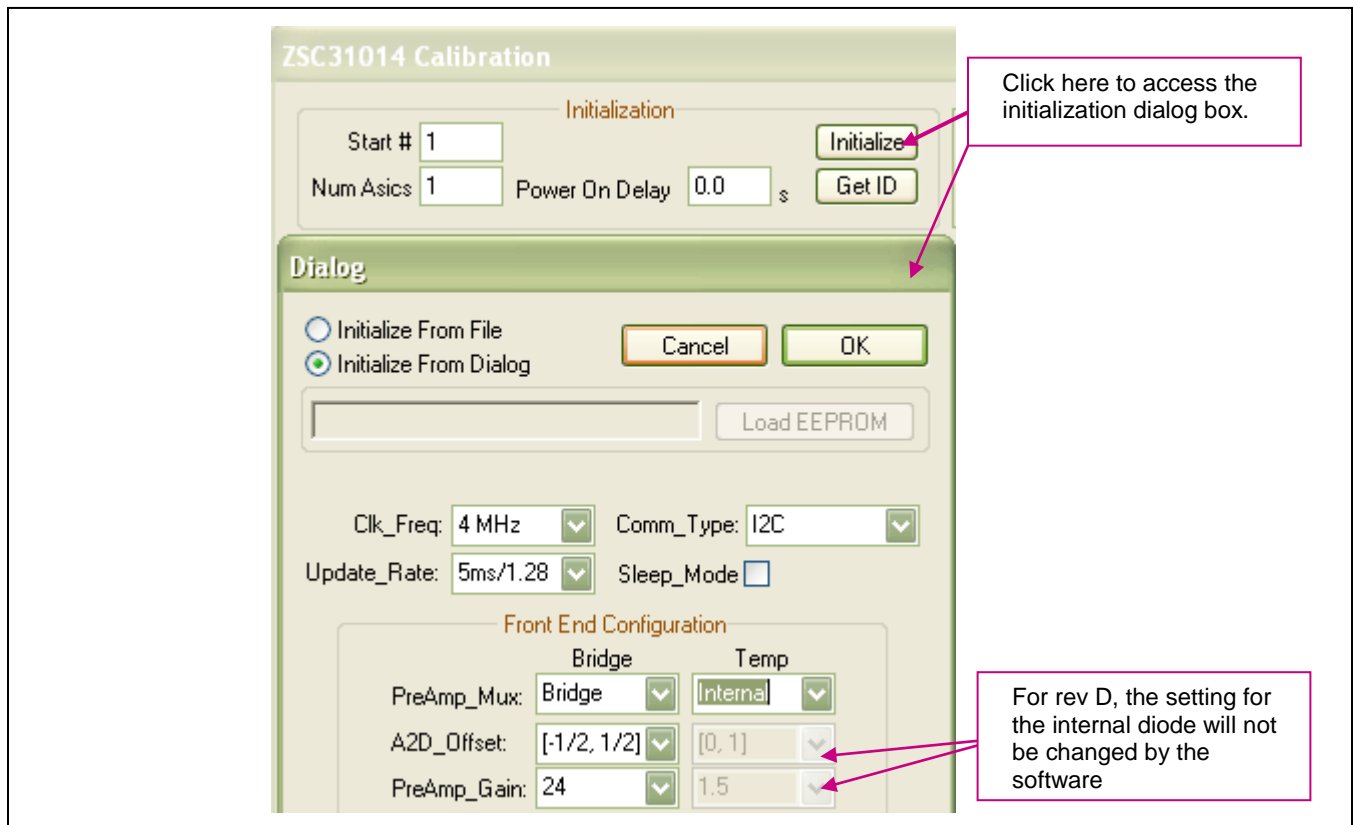
Although the ZSC31014 can function with many different types of resistive bridges, assume it is connected to a pressure bridge for the following calibration example. In this case, calibration essentially involves collecting raw bridge and temperature data from the ZSC31014 for different known pressures and temperatures. This raw data can then be processed by the calibration master (the PC), and the calculated coefficients can then be written to the EEPROM of the ZSC31014.

The software IDT provides with the SSC Evaluation Kit is intended for demonstration purposes and calibration of single units. IDT can provide customers with algorithms and assistance in developing their full production calibration software. For the following steps, refer to the calibration window shown in Figure 4.4.

There are three main steps to calibration:

1. Assigning a unique identification to the ZSC31014. This identification is programmed in EEPROM Cust_ID0 and Cust_ID1 registers and can be used as an index in the database stored on the calibration PC. This database will contain all the raw values of bridge readings and temperature readings for that part, as well as the known pressure and temperature to which the bridge was exposed.
2. Collecting data. Data collection involves getting raw data from the bridge at different known pressures and temperatures. This data is then stored on the calibration PC using the unique identification of the ZSC31014 as the index into the database.
3. Calculating and writing coefficients to EEPROM. After enough data points have been collected to calculate all the desired coefficients, the coefficients can be calculated by the calibrating PC and written to the EEPROM of the ZSC31014.

Figure 5.1 Initialization Configuration Dialog Box



Step 1 – Assigning a Unique Identification (ASIC ID Section)

In the top middle of the calibration screen (see Figure 4.4), click on “Initialize.” In the resulting dialog box (see Figure 5.1), verify or correct the configuration for the ZSC31014 under test and then click OK to initialize the part. The part is assigned a unique ID, which is used as an index in the database. This unique ID is also programmed into the EEPROM Cust_ID0 and Cust_ID1 registers. The software automatically loads and writes unity values for Gain_B and Gain_T to the EEPROM and sets the Offset_B to an A2D_Offset related value. All other coefficients are set to zero. The raw data are collected with these settings in NOM.

Note: The default values shown in this dialog window are the previous settings and can differ from the actual EEPROM contents, which will be overwritten by clicking the OK button.

Step 2 – Data Collection

“Common Calibration Type” Menu

Next, select the type of calibration required from the “Common Calibration Type” pull-down menu in the top right of the calibration screen (see Figure 5.1). The number of unique points (for this example, pressure and temperature points) at which calibration must be performed depends on the user’s requirements. The minimum is a 2-point calibration, and the maximum is a 7-point calibration.

Depending on the number of calibration temperature points, a linear or second order temperature correction is performed with 2 or 3 (respectively) temperature coefficients (Offset_T&Gain_T or Offset_T&Gain_T&SOT_T).

In the left section of the calibration screen (see Figure 4.4), there is a graph (X-axis = Temperature, Y-axis = Bridge). This graph outlines the recommended spread of points (pressure for this example and temperature) to be used for calibration.

Based on statistical sensor measurements, a customer can decide to reduce the calibration costs by setting user-selected default values for various calibration coefficients instead of using the calibration measurements. In this case, enter the default values to be used for the selected calibration method in the coefficient entry fields at the right of the calibration screen (see Figure 4.4). These fields will not be calculated by the chosen calibration method. The calculation is disabled if there are entries for all defaults.

“Reset Defaults” Button

If needed, clicking the “Reset Defaults” button sets the default coefficients to 00_{HEX} except Gain_B/Gain_T, which are set to unity (2000_{HEX}) and Offset_B, which is set to a value related to the ADC offset (A2D_Offset setting). See Table 5.1.

Table 5.1 Offset_B Default Values Determined by A2D_Offset Settings

A2D Input Range [VREF]	A2D_Offset	Offset_B(hex)
-15/16 to 1/16	15/16	1C00 _{HEX}
-7/8 to 1/8	7/8	1800 _{HEX}
-13/16 to 3/16	13/16	1400 _{HEX}
-3/4 to 1/4	3/4	1000 _{HEX}
-11/16 to 5/16	11/16	0C00 _{HEX}

A2D Input Range [VREF]	A2D_Offset	Offset_B(hex)
-5/8 to 3/8	5/8	0800 _{HEX}
-9/16 to 7/16	9/16	0400 _{HEX}
-1/2 to 1/2	1/2	0000 _{HEX}
-7/16 to 9/16	7/16	FC00 _{HEX}
-3/8 to 5/8	3/8	F800 _{HEX}
-5/16 to 11/16	5/16	F400 _{HEX}
-1/4 to 3/4	1/4	F000 _{HEX}
-3/16 to 13/16	3/16	EC00 _{HEX}
-1/8 to 7/8	1/8	E800 _{HEX}
-1/16 to 15/16	1/16	E400 _{HEX}

“Bridge (%)” and “Temperature (°C)” Fields

Place the bridge/ZSC31014 pair to be calibrated in a controlled environment (for this example, a pressure and temperature chamber), and stabilize the environment at the first desired calibration point.

- **Enter the target bridge readout in % (in this case, pressure) in the “Bridge (%)” field under “Actual.”**
(See Figure 5.1.)
- **Enter the target temperature in °C in the “Temperature (°C)” field under “Actual.”**
- **Click on “Add New Point.”** The raw data (pressure and temperature) are obtained from the part, and the point is displayed on the large graph. The point is graphed as the values entered in the previous two steps: the X-axis is the target temperature reading and the Y-axis is the target % value.
- **Change the pressure/temperature of the bridge/ZSC31014 pair being calibrated and repeat. Take as many more points as needed.**

Hints:

For good calibration results, choose the temperature and bridge readout (%) values as close as possible to the desired working range.

Step 3 – Calculating and Writing the Coefficients

“Calculate & Write Coefficients” Button

After enough data points have been collected to calculate the calibration coefficients, click the “Calculate & Write Coefficients” button. The software calculates all the coefficients, writes them to EEPROM, and frees up that index for future use. The bridge/IC pair is now calibrated. Before the software starts to calculate and write the coefficients, all raw readings are stored in the caldata.txt file (see section 4.1.2).

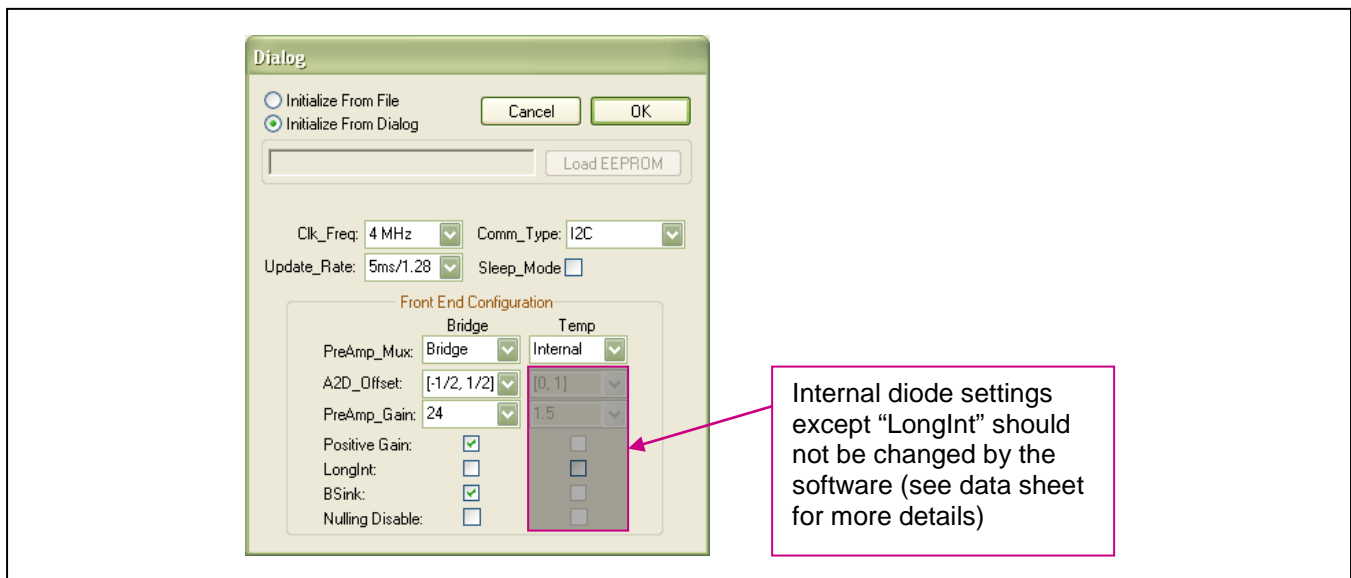
5.2. Dry Run Calibration

The following steps demonstrate a simple 2-point linear calibration using the artificial bridge on the Evaluation Board. Important: The jumpers must be connected on K6 (VBP) and K7 (VNP).

Steps for a Dry Run Calibration using the Artificial Bridge on the Evaluation Board:

1. Connect the SSC Communication (SSC CB) and the SSC ZSC31014 Evaluation Board. Insert the ZSC31014 in the SOP-8 socket on the SSC Evaluation Board. The correct orientation for pin 1 is shown in Figure 2.1.
2. Connect a USB cable from the USB connector on the SSC CB to an available USB port on the PC. Verify that the green PWR LED is lit on the SSC CB.
3. Start the ZSC31014 iLiteTester™ software.
4. Click “Find Port” to find the proper COM port.
5. Click on “START CM.” If the setup is correct, the buttons in the lower part of the main window will be activated.
6. Click on “Calibration.” The calibration window appears (Figure 4.4).
7. In the upper right section of the calibration window, under the “Common Calibration Types” drop-down menu, choose “2-Pt Gain_B, Offset_B” calibration. The graph indicates the recommended pattern of two bridge readings at the same temperature.
8. Click on the “Initialize” button, and click “OK” to keep the default settings for the dialog box (Figure 5.2). A unique identifier is assigned to the ZSC31014 and is written to its EEPROM.

Figure 5.2 Initialization Dialog Window with Default Values (Calibration with Artificial Bridge)



9. The next step is to start data collection. Normally this would be done with a real bridge attached to the ZSC31014 on a remote board in a controlled chamber. Instead, this dry run calibration uses the artificial bridge inputs controlled by the on-board DAC. The DAC is controlled by the “Artificial Stimulus” slider bar or its adjacent entry field at the top of the calibration window (see Figure 4.4).
 - a. Set the DAC control to 300_{HEX}.
 - b. Enter 10 in the “Bridge (%)” field under “Actual.”
 - c. Click on “Add New Point.” The software obtains a raw reading from the part and graphs the new data point.
 - d. Change the DAC setting to D00_{HEX}.
 - e. Enter 90 in the “Bridge (%)” field under “Actual.”
 - f. Click on “Add New Point” again. The software obtains a new raw reading from the part and graphs the new data point.
10. Because this is a 2-point calibration, the software has all the necessary data for calculating and writing the coefficients. Click on “Calculate & Write Coefficients,” which should now be active.
11. Close the calibration window. The temperature reading is not valid because not enough data points were collected for temperature calibration.
12. Start the Normal Operation Mode (NOM) by clicking on “START NOM” and read the measurement results continuously (click Run Continuous). The DAC is now controlled by the “Artificial” slider below the data read-outs and its adjacent entry field. Adjust the DAC, and check that the displayed values make sense. For example, 800_{HEX} should read 50% and A80_{HEX} should read 70%.

Steps for a Dry Run Calibration using the Sensor Replacement Board:

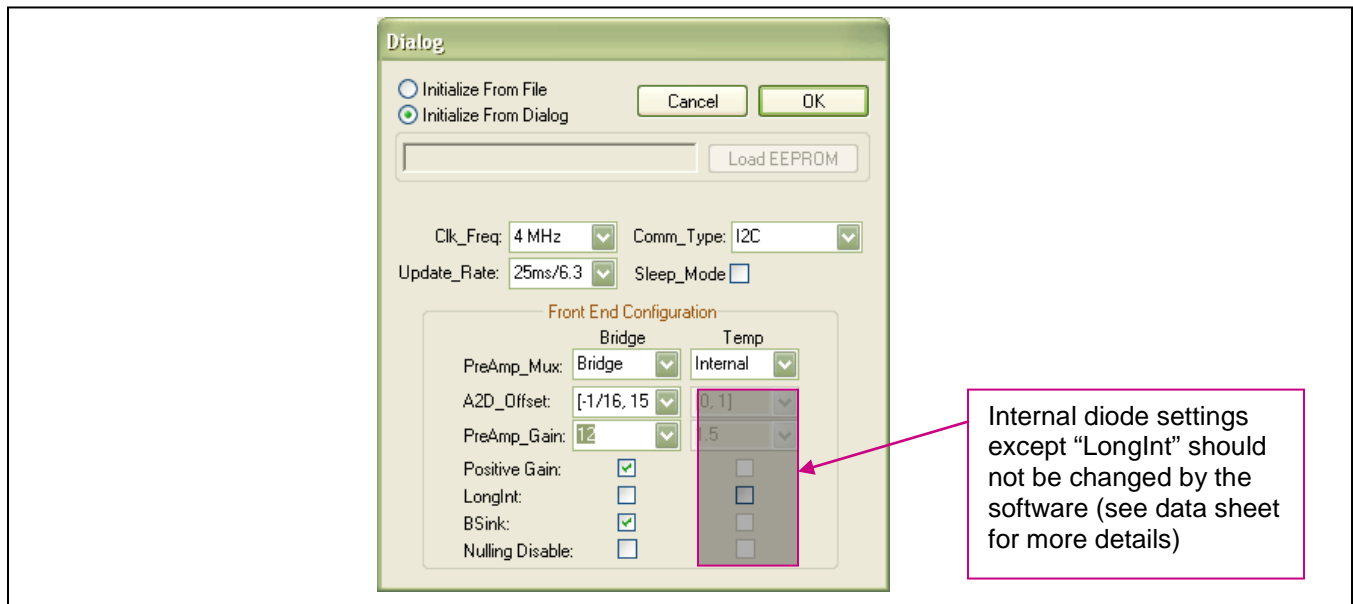
The following steps demonstrate a simple 2-point linear calibration using the artificial bridge on the Sensor Replacement Board (SRB).

Important: The jumpers must be removed from connectors K6 (VBP) and K7 (VNP).

1. Connect the SSC Communication (SSC CB), the SSC ZSC31014 Evaluation Board and SSC SRB. Insert the ZSC31014 in the SOP-8 socket on the SSC Evaluation Board. The correct orientation for pin 1 is shown in Figure 2.1.
2. Connect a USB cable from the USB connector on the SSC CB to an available USB port on the PC. Verify that the green PWR LED is lit on the SSC CB.
3. Start the iLiteTester™ software.
4. Click “Find Port” to find the proper COM port.
5. Click on “START CM.” If the setup is correct, the buttons in the lower part of the main window will be activated.
6. Click on “Calibration.” The calibration window appears (Figure 4.4).
7. In the upper right section of the calibration window, under the “Common Calibration Types” drop-down menu, choose “2-Pt Gain_B, Offset_B” calibration. The graph indicates the recommended pattern of two bridge readings at the same temperature.

8. Click on the “Initialize” button, and change the default settings to the settings shown Figure 5.3 and click “OK”. A unique identifier is assigned to the ZSC31014 and is written to its EEPROM.

Figure 5.3 Initialization Dialog Window with Changed Values (Calibration with SRB)



9. The next step is to start data collection. Normally this would be done with a real bridge attached to the ZSC31014 on a remote board in a controlled chamber. Instead, this dry run calibration uses the Sensor Replacement Board (SRB) as bridge inputs.
 - a. Turn the red potentiometer on the SRB all the way to the left.
 - b. Enter 10% in the “Bridge (%)” field under “Actual.”
 - c. Click on “Add New Point.” The software obtains a raw reading from the part and graphs the new data point.
 - d. Turn the red potentiometer on the SRB all the way to the right.
 - e. Enter 90% in the “Bridge (%)” field under “Actual.”
 - f. Click on “Add New Point” again. The software obtains a new raw reading from the part and graphs the new data point.
10. Because this is a 2-point calibration, the software has all the necessary data for calculating and writing the coefficients. Click on “Calculate & Write Coefficients,” which should now be active.
11. Close the calibration window. The temperature reading is not valid because not enough data points were collected for temperature calibration.
12. Start the Normal Operation Mode (NOM) by clicking on “START NOM” and read the measurement results continuously (click Run Continuous) to verify the output change according to the potentiometer position.

6 Calculation of ZSC31014 Calibration Coefficients Off-line

Note This calculation is possible without connecting the kit boards to the PC. Raw and target values can be copied using the copy and paste function of Microsoft Office from an Excel™ table for software revisions 1.420 and higher.

Steps for the Off-line Calibration Coefficient Calculation:

- (1) Start the ZSC31014 cLite™ Software.
- (2) Click on “Calibrate.” The calibration window appears (see Figure 6.1).
- (3) Select the coefficients for the desired calibration method by highlighting the coefficients in the upper middle section of the calibration window. The smaller graph above the coefficient list indicates the recommended pattern of capacitive sensor readings and temperature readings.
- (4) Click on “Initialize” in the “Initialization” section (upper left corner). The “Initialize Calibration” window appears (see Figure 5.2). Click “Browse” and select any xxx.eep file stored in the folder *C:\Documents And Settings\[Current User]\My Documents\ZMD\ZSC31014*. Click on “Initialize From File.”
Note: This is a “blind” initialization, because no part is connected.
- (5) Start data collection. Fill in numbers in the column “Point”. The target and raw values can be written/copied in the related fields. The numbers are [%] for the bridge target and raw readings and [°C] for the temperature target and raw readings.
 - a. Click on “Add New Point.”
 - b. Enter the first target bridge reading [%] in the “sensor” field and enter the raw value [%] in the “raw” field. For calibration with temperature compensation, also add the chamber temperature in the “temp” field temperature and raw readings in the “rawT” fields.
 - c. Repeat a) and b) as needed until all calibration points are entered.
- (6) Check the “Valid” check box, and click on the “Calculate Coefficients” button. The coefficients are stored in the *CalibrationLog.txt* file.
- (7) Click “View Log” to open this file. For each calibration point, the error for the point is calculated in the same file.

Note Instead of entering the raw and target values for the bridge and temperature target and raw values, these values can be transferred from an Excel™ file using the copy/paste feature. First, add the correct number of calibration points (→ correct table size). Make sure that the Excel™ table includes only numbers in the correct format (Category: Number). Copying from formula results is not possible.

The minimum number of points is determined by the selected calibration method. Additional points can be added. If the points are selected (check box enabled), they will be part of the calibration; otherwise these points will be used for error validation only.

Figure 6.1 Fields for Manually Entering Target and Raw Values

The screenshot shows the 'ZSC31014 Calibration' software interface. It includes an initialization section with fields for 'Start #', 'Num Asics', and 'Power On Delay'. A status window shows 'OK' and some error messages. The main area features a graph of 'Bridge' vs 'Temperature' with several data points. To the right, there are settings for 'Common Calibration Types' and various coefficient checkboxes. At the bottom, a 'Calibration Points' section contains a table with columns for 'Valid', 'IC #', 'ID #', 'Point', 'Raw Br', 'Bridge', 'Raw T', 'Temp', 'error', and 'errorT'. Two callout boxes are present: one pointing to the 'Raw Br' and 'Bridge' columns of the first data point, and another pointing to the 'error' and 'errorT' columns of the same point.

Valid	IC #	ID #	Point	Raw Br	Bridge	Raw T	Temp	error	errorT
<input checked="" type="checkbox"/>	1	0x000000000004	0	28.363037	0.089432	38.476563	25.6	-0.022	-0.173
			1	40.942383	27.956814	38.574219	25.6	-0.021	0.047
			2	53.631582	55.840489	38.574219	25.6	-0.036	0.047
			3	28.247070	0.089432	14.648438	-28.6	-0.010	-0.025
			4	53.033447	55.614978	14.648438	-28.6	-0.024	-0.025
			5	28.472900	0.089000	60.156250	75.0	-0.022	-0.256
			6	53.454590	54.932000	60.351563	75.0	-0.007	0.183

Target and raw values (e.g copied from Excel)

Validation error in calibration point when re-calculated with calculated coefficients (Ignore errorT without temperature calibration.)

7 ZSC31014 Software with the IDT SSC Terminal

7.1. Protocol

The microcontroller (type Atmega32) on the SSC Communication Board (SSC CB) enables communication with the SSC Evaluation Board and the ZSC31014 using the evaluation software running on the PC. The standard I²C protocol is implemented in the microcontroller's software. The USB_UART IC on the SSC CB transfers the signals from the microcontroller to the USB port of the PC.

For more details, see *SSC_CommunicationBoard_CommandSyntax_Rev_X_x.xls*.

7.2. IDT SSC Terminal

The IDT SSC Terminal is the lowest level of communication for transferring commands from the PC to the microcontroller on the SSC CB. A fully summary and detailed command description of the applicable controller commands are given in *SSC_CommunicationBoard_CommandSyntax_Rev_X_x.xls*.

Install the *SSC Terminal V201.exe* from the SSC CD-ROM, which will create a IDT SSC Terminal icon on the PC desktop. Click on this icon to active the terminal program. For the ZSC31014 communication mode, use the setting explained for I²C (bi-directional) or SPI (only reading).

Table 7.1 IDT SSC Terminal Character Assignment

	Character Order					
	1	2	3	4,5	6,7,8	<d...d>
ZSC31014	<i>I</i>	<i>R</i> or <i>W</i>	<i>T</i> or <i>_</i>			
Comments		Read or Write	Trigger Power Cycle or Not	Slave address) (28h default)	Number of Bytes to Read and Write	Blank for Read; Data Bytes to Write
Examples	<i>I</i>	<i>W</i>	<i>T</i>	28	003	500000
	<i>I</i>	<i>R</i>	<i>_</i>	28	002	

Hint: If "T" is sent for the 3rd position (instead of "_"), the ZSC31014 is powered off and then on. "T" should be used only if power cycling is necessary for operation.

Figure 7.1 shows a communication example. Write the command in the input line and press ENTER on the keyboard or click on "Send."

8 Command/Data Pair Encoding

See the current version of the *ZSC31014_iLite_Data_Sheet* document for more details on commands and for the assignment of the EEPROM bits.

In Command Mode, the master uses the I²C protocol to send 4-byte commands to the Rbci_{lite}TM. This 32-bit I²C packet command/data stream consists of a I²C WRITE command byte, which is the 7-bit slave address followed by the write bit 0 (e.g., 50_{HEX} = I²C WRITE command byte for the default slave address 28_{HEX} and write bit 0); then a command byte; and then 16 data bits. See the *ZSC31014_iLite_Data_Sheet* document for a detailed illustration of the WRITE command packet. Table 8.1 gives the format and valid range for the three bytes that follow the initial I²C WRITE command byte.

Note: Only the commands listed in Table 8.1 are valid for the ZSC31014 in Command Mode. Other encodings might cause unpredictable results. If data is not needed for the command, zeros must be supplied as data to complete the 32-bit packet.

Table 8.1 Encoding for the 3 Bytes after the Initial I²C WRITE Command Byte

Command Byte (Second Byte) 8 Command Bits (Hex)	Third and Fourth Bytes 16 Data Bits (Hex)	Description
00 _{HEX} to 13 _{HEX}	0000 _{HEX}	EEPROM Read of addresses 00 _{HEX} to 13 _{HEX} . After this command has been sent and executed, a data fetch of three bytes must be performed. The first byte will be a response byte, which should be a 5A _{HEX} , and then the next two bytes will be the EEPROM data.
40 _{HEX} to 53 _{HEX}	YYYY _{HEX} (Y= data)	Write to EEPROM addresses 00 _{HEX} to 13 _{HEX} . If the command is an EEPROM write, then the 16 bits of data sent will be written to the address specified in the 6 LSBs of the command byte.
80 _{HEX}	0000 _{HEX}	Start_NOM => Ends Command Mode and transitions to Normal Operation Mode. When a Start_NOM command is executed, a flag is checked to see if EEPROM was programmed during Command Mode. If so, the device will regenerate the checksum and update the signature EEPROM word.
A0 _{HEX}	0000 _{HEX}	Start_CM => Start Command Mode; used to enter the command interpreting mode. Start_CM is only valid during the power-on command window.

9 Related Documents

Document
ZSC31014 Rb _{iC} _{Lite} TM Data Sheet
ZSC31014 Rb _{iC} _{Lite} Technical Notes—Die Dimensions and Pad Coordinates
ZSC31014 Internal Temperature Sensor Trim Spreadsheet (T_Config) *
ZSC31014 Rb _{iC} _{Lite} Technical Notes—Calibration Sequence and Calibration DLL
ZSC31014 Rb _{iC} _{Lite} Spreadsheet for External Temperature Sensor Calculations
SSC Sensor Replacement Board Data Sheet
SSC Application Note – Communication Board Driver Installation.
SSC Evaluation Kits Feature Sheet (includes ordering codes and price information)
SSC Communication Board Datasheet
Command Syntax Spreadsheet for ZSC31xxx and ZSSC3xxx Products

Visit IDT's website www.IDT.com or contact your nearest sales office for the latest version of these documents, except files marked with an asterisk, which are available on request.

10 Glossary

Term	Description
ADC	Analog-to-Digital Converter
CMC	Calibration Microcontroller
CMV	Common Mode Voltage
SCC	Sensor Connection Check
SSC	Sensor Signal Conditioner

11 Document Revision History

Revision	Date	Description
1.2	11-Mar-10	Revision for Table 5.1.
1.21	30-Jun-10	Updated Terminal Example
1.3	28-July-10	Revised product name from ZMD31014 to ZSC31014.
1.4	18-Mar-11	Added sections 2.5, 2.6 and 6; revised pictures according to the software changes. Reorganized sections 2 and 3. Added section 4.3. Reorganized sections 2 and 3. Replaced Appendix C for error codes with reference in section 3.3 to the error code tab in the command syntax document. Updated file names for related documents. Clarified that <i>ZSC31014_Trim_Internal TempSensor T_Config_revX.x.xls</i> is available on request.
1.50	11-Jul-2012	Updated for new Evaluation Board, which now has a 2-pin connector (K9) for measuring IDD. Updated text regarding jumper on new connector. Updated contact information.
	April 20, 2018	Changed to IDT branding.



Corporate Headquarters
6024 Silver Creek Valley Road
San Jose, CA 95138
www.IDT.com

Sales
1-800-345-7015 or 408-284-8200
Fax: 408-284-2775
www.IDT.com/go/sales

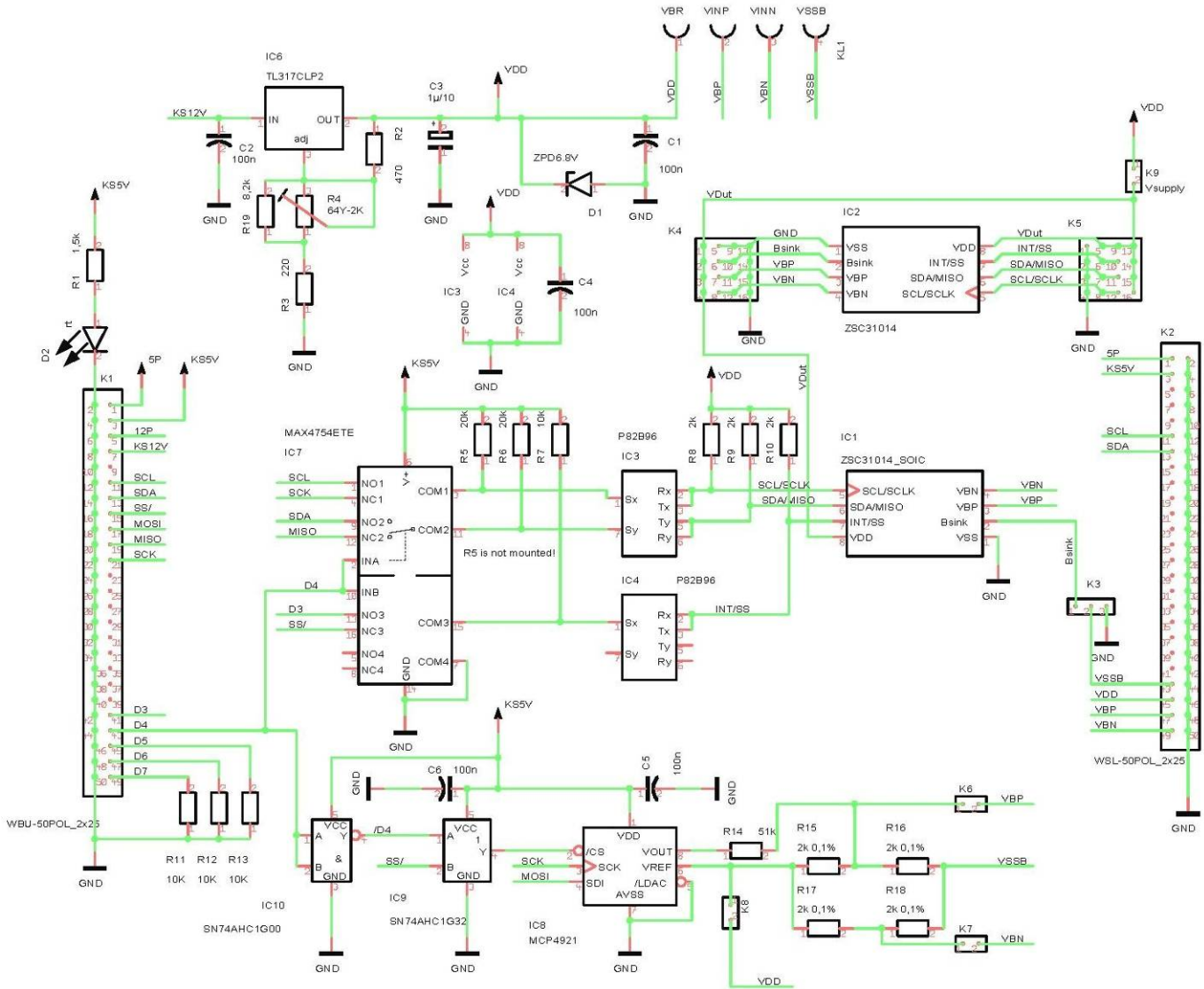
Tech Support
www.IDT.com/go/support

DISCLAIMER Integrated Device Technology, Inc. (IDT) reserves the right to modify the products and/or specifications described herein at any time, without notice, at IDT's sole discretion. Performance specifications and operating parameters of the described products are determined in an independent state and are not guaranteed to perform the same way when installed in customer products. The information contained herein is provided without representation or warranty of any kind, whether express or implied, including, but not limited to, the suitability of IDT's products for any particular purpose, an implied warranty of merchantability, or non-infringement of the intellectual property rights of others. This document is presented only as a guide and does not convey any license under intellectual property rights of IDT or any third parties.

IDT's products are not intended for use in applications involving extreme environmental conditions or in life support systems or similar devices where the failure or malfunction of an IDT product can be reasonably expected to significantly affect the health or safety of users. Anyone using an IDT product in such a manner does so at their own risk, absent an express, written agreement by IDT.

Integrated Device Technology, IDT and the IDT logo are trademarks or registered trademarks of IDT and its subsidiaries in the United States and other countries. Other trademarks used herein are the property of IDT or their respective third party owners. For datasheet type definitions and a glossary of common terms, visit www.idt.com/go/glossary. All contents of this document are copyright of Integrated Device Technology, Inc. All rights reserved.

Appendix A: Schematic ZSC31014 SSC Evaluation Board



Appendix B: Format of the *caldata.txt* file

```
04/14/08 14:02:17 1208199737 3 2 3048 1176 0 72
35.7147 10 10.1563 25
64.3791 90 10.1563 25
```

Date	Time	Machine_TIME	ID	NUM_POINTS	B_CFG	T_CFG	OFFSET_B	CFG1
04/14/08	14:02:17	1208199737	3	2	3048	1176	0	128

RAW_B	BR	RAW_T	TEMP
35.7147	10	10.1563	25
64.3791	90	10.1563	25

The top line contains calibration specific information (1 part):

Date, time, and machine time of calibration

ID: Calibration ID number --this is what is programmed into the part for retrieval

SOT_TYPE: 0 → Parabolic, 1 → S-Shape

NUM_POINTS: Number of points currently in the calibration

B_CFG: Bridge configuration register EEPROM word 0F_{HEX}

T_CFG: Temperature configuration register EEPROM word 10_{HEX}

OFFSET_B: ADC Shift related OFFSET_B (see Table 5.1)

CFG1: Configuration word Config1 (EEPROM word 01_{HEX})

The next lines contain calibration point specific data:

RAW_B: Raw Bridge Readings

BR: Desired Bridge ("Actual")

RAW_T: Raw temperature reading

TEMP: Desired Temperature ("Actual")

Данный компонент на территории Российской Федерации

Вы можете приобрести в компании MosChip.

Для оперативного оформления запроса Вам необходимо перейти по данной ссылке:

<http://moschip.ru/get-element>

Вы можете разместить у нас заказ для любого Вашего проекта, будь то серийное производство или разработка единичного прибора.

В нашем ассортименте представлены ведущие мировые производители активных и пассивных электронных компонентов.

Нашей специализацией является поставка электронной компонентной базы двойного назначения, продукции таких производителей как XILINX, Intel (ex.ALTERA), Vicor, Microchip, Texas Instruments, Analog Devices, Mini-Circuits, Amphenol, Glenair.

Сотрудничество с глобальными дистрибьюторами электронных компонентов, предоставляет возможность заказывать и получать с международных складов практически любой перечень компонентов в оптимальные для Вас сроки.

На всех этапах разработки и производства наши партнеры могут получить квалифицированную поддержку опытных инженеров.

Система менеджмента качества компании отвечает требованиям в соответствии с ГОСТ Р ИСО 9001, ГОСТ РВ 0015-002 и ЭС РД 009

Офис по работе с юридическими лицами:

105318, г.Москва, ул.Щербаковская д.3, офис 1107, 1118, ДЦ «Щербаковский»

Телефон: +7 495 668-12-70 (многоканальный)

Факс: +7 495 668-12-70 (доб.304)

E-mail: info@moschip.ru

Skype отдела продаж:

moschip.ru

moschip.ru_4

moschip.ru_6

moschip.ru_9