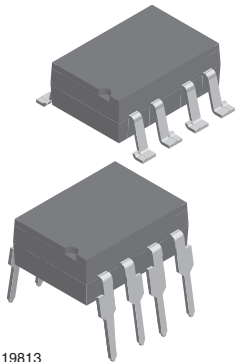
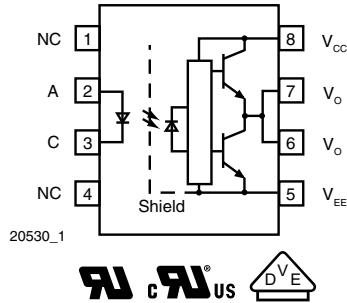


2.5 A Output Current IGBT and MOSFET Driver



19813



20530_1



FEATURES

- 2.5 A minimum peak output current
- 25 kV/ μ s minimum common mode rejection (CMR) at $V_{CM} = 1500$ V
- $I_{CC} = 2.5$ mA maximum supply current
- Under voltage lock-out (UVLO) with hysteresis
- Wide operating V_{CC} range: 15 V to 32 V
- 0.2 μ s maximum pulse width distortion
- Industrial temperature range: - 40 °C to 110 °C
- 0.5 V maximum low level output voltage (V_{OL})
- Reinforced insulation rated per DIN EN 60747-5-2
- Material categorization: For definitions of compliance please see www.vishay.com/doc?99912



RoHS
COMPLIANT

DESCRIPTION

The VO3120 consists of a LED optically coupled to an integrated circuit with a power output stage. This optocoupler is ideally suited for driving power IGBTs and MOSFETs used in motor control inverter applications. The high operating voltage range of the output stage provides the drive voltages required by gate controlled devices. The voltage and current supplied by this optocoupler makes it ideally suited for directly driving IGBTs with ratings up to 800 V/50 A. For IGBTs with higher ratings, the VO3120 can be used to drive a discrete power stage which drives the IGBT gate.

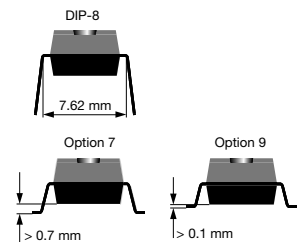
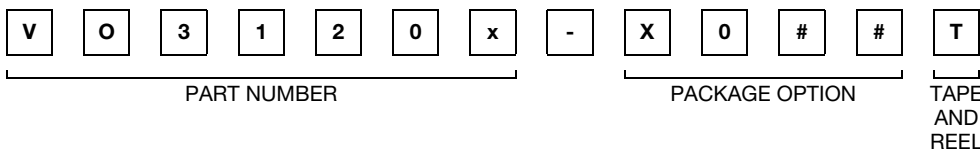
APPLICATIONS

- Isolated IGBT/MOSFET gate driver
- AC and brushless DC motor drives
- Induction stove top
- Industrial inverters
- Switch mode power supplies (SMPS)
- Uninterruptible power supplies (UPS)

AGENCY APPROVALS

- UL - file no. E52744 system code H, double protection
- cUL - file no. E52744, equivalent to CSA bulletin 5A
- DIN EN 60747-5-2 (VDE 0884) and reinforced insulation rating available with option 1

ORDERING INFORMATION



| PACKAGE | UL, cUL | UL, cUL, VDE |
|--------------------------------|--------------|--------------|
| DIP-8, tubes | VO3120 | VO3120-X001 |
| SMD-8, option 7, tape and reel | VO3120-X007T | - |
| SMD-8, option 9, tape and reel | - | VO3120-X019T |

**TRUTH TABLE**

| LED | $V_{CC} - V_{EE}$ "POSITIVE GOING" (TURN ON) | $V_{CC} - V_{EE}$ "NEGATIVE GOING" (TURN OFF) | V_o |
|-----|--|---|------------|
| Off | 0 V to 32 V | 0 V to 32 V | Low |
| On | 0 V to 11 V | 0 V to 9.5 V | Low |
| On | 11 V to 13.5 V | 9.5 V to 12 V | Transition |
| On | 13.5 V to 32 V | 12 V to 32 V | High |

ABSOLUTE MAXIMUM RATINGS ($T_{amb} = 25\text{ }^{\circ}\text{C}$, unless otherwise specified)

| PARAMETER | TEST CONDITION | SYMBOL | VALUE | UNIT |
|--|---|---------------------|-----------------|--------------------|
| INPUT | | | | |
| Input forward current | | I_F | 25 | mA |
| Peak transient input current | < 1 μs pulse width, 300 pps | $I_{F(TRAN)}$ | 1 | A |
| Reverse input voltage | | V_R | 5 | V |
| Output power dissipation | | P_{diss} | 45 | mW |
| OUTPUT | | | | |
| High peak output current ⁽¹⁾ | | $I_{OH(PEAK)}$ | 2.5 | A |
| Low peak output current ⁽¹⁾ | | $I_{OL(PEAK)}$ | 2.5 | A |
| Supply voltage | | $(V_{CC} - V_{EE})$ | 0 to + 35 | V |
| Output voltage | | $V_{O(PEAK)}$ | 0 to + V_{CC} | V |
| Output power dissipation | | P_{diss} | 250 | mW |
| OPTOCOUPLER | | | | |
| Isolation test voltage (between emitter and detector) | $t = 1\text{ s}$ | V_{ISO} | 5300 | V_{RMS} |
| Storage temperature range | | T_S | - 55 to + 125 | $^{\circ}\text{C}$ |
| Ambient operating temperature range | | T_A | - 40 to + 110 | $^{\circ}\text{C}$ |
| Total power dissipation | | P_{tot} | 295 | mW |
| Lead solder temperature ⁽²⁾ | For 10 s, 1.6 mm below seating plane | | 260 | $^{\circ}\text{C}$ |

Notes

- Stresses in excess of the absolute maximum ratings can cause permanent damage to the device. Functional operation of the device is not implied at these or any other conditions in excess of those given in the operational sections of this document. Exposure to absolute maximum ratings for extended periods of the time can adversely affect reliability.

⁽¹⁾ Maximum pulse width = 10 μs , maximum duty cycle = 0.2 %. This value is intended to allow for component tolerances for designs with I_O peak minimum = 2.5 A. See applications section for additional details on limiting I_{OH} peak.

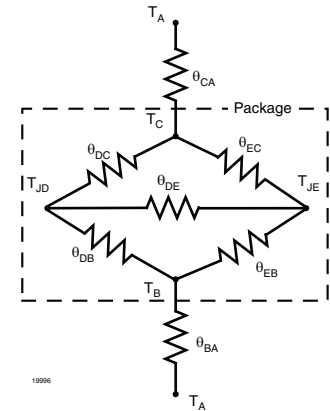
⁽²⁾ Refer to reflow profile for soldering conditions for surface mounted devices (SMD). Refer to wave profile for soldering conditions for through hole devices (DIP).

RECOMMENDED OPERATING CONDITION

| PARAMETER | SYMBOL | MIN. | MAX. | UNIT |
|------------------------|-------------------|------|-------|--------------------|
| Power supply voltage | $V_{CC} - V_{EE}$ | 15 | 32 | V |
| Input LED current (on) | I_F | 7 | 16 | mA |
| Input voltage (off) | $V_{F(OFF)}$ | - 3 | 0.8 | V |
| Operating temperature | T_{amb} | - 40 | + 110 | $^{\circ}\text{C}$ |

THERMAL CHARACTERISTICS

| PARAMETER | SYMBOL | VALUE | UNIT |
|---|----------------|-------|------|
| LED power dissipation | P_{diss} | 45 | mW |
| Output power dissipation | P_{diss} | 250 | mW |
| Total power dissipation | P_{tot} | 285 | mW |
| Maximum LED junction temperature | $T_{jmax.}$ | 125 | °C |
| Maximum output die junction temperature | $T_{jmax.}$ | 125 | °C |
| Thermal resistance, junction emitter to board | θ_{JEB} | 169 | °C/W |
| Thermal resistance, junction emitter to case | θ_{JEC} | 192 | °C/W |
| Thermal resistance, junction detector to board | θ_{JDB} | 82 | °C/W |
| Thermal resistance, junction detector to case | θ_{JDC} | 80 | °C/W |
| Thermal resistance, junction emitter to junction detector | θ_{JED} | 200 | °C/W |
| Thermal resistance, case to ambient | θ_{CA} | 2645 | °C/W |


Note

- The thermal characteristics table above were measured at 25 °C and the thermal model is represented in the thermal network below. Each resistance value given in this model can be used to calculate the temperatures at each node for a given operating condition. The thermal resistance from board to ambient will be dependent on the type of PCB, layout and thickness of copper traces. For a detailed explanation of the thermal model, please reference Vishay's Thermal Characteristics of Optocouplers application note.

ELECTRICAL CHARACTERISTICS

| PARAMETER | TEST CONDITION | SYMBOL | MIN. | TYP. | MAX. | UNIT |
|--|---|---------------------------|--------------|------|------|-------|
| High level output current | $V_O = (V_{CC} - 4\text{ V})$ | $I_{OH}^{(1)}$ | 0.5 | | | A |
| | $V_O = (V_{CC} - 15\text{ V})$ | $I_{OH}^{(2)}$ | 2.5 | | | A |
| Low level output current | $V_O = (V_{EE} + 2.5\text{ V})$ | $I_{OL}^{(1)}$ | 0.5 | | | A |
| | $V_O = (V_{EE} + 15\text{ V})$ | $I_{OL}^{(2)}$ | 2.5 | | | A |
| High level output voltage | $I_O = -100\text{ mA}$ | $V_{OH}^{(3)}$ | $V_{CC} - 4$ | | | V |
| Low level output voltage | $I_O = 100\text{ mA}$ | V_{OL} | | 0.2 | 0.5 | V |
| High level supply current | Output open, $I_F = 7\text{ mA}$ to 16 mA | I_{CCH} | | | 2.5 | mA |
| Low level supply current | Output open, $V_F = -3\text{ V}$ to $+0.8\text{ V}$ | I_{CCL} | | | 2.5 | mA |
| Threshold input current low to high | $I_O = 0\text{ mA}$, $V_O > 5\text{ V}$ | I_{FLH} | | | 5 | mA |
| Threshold input voltage high to low | | V_{FHL} | 0.8 | | | V |
| Input forward voltage | $I_F = 10\text{ mA}$ | V_F | 1 | | 1.6 | V |
| Temperature coefficient of forward voltage | $I_F = 10\text{ mA}$ | $\Delta V_F / \Delta T_A$ | | -1.4 | | mV/°C |
| Input reverse breakdown voltage | $I_R = 10\text{ }\mu\text{A}$ | BV_R | 5 | | | V |
| Input capacitance | $f = 1\text{ MHz}$, $V_F = 0\text{ V}$ | C_{IN} | | 60 | | pF |
| UVLO threshold | $V_O \geq 5\text{ V}$ | V_{UVLO+} | 11 | | 13.5 | V |
| | $I_F = 10\text{ mA}$ | V_{UVLO-} | 9.5 | | 12 | V |
| UVLO hysteresis | | $UVLO_{HYS}$ | | 1.6 | | V |

Notes

- Minimum and maximum values were tested over recommended operating conditions ($T_A = -40\text{ }^\circ\text{C}$ to $110\text{ }^\circ\text{C}$, $I_{F(ON)} = 7\text{ mA}$ to 16 mA , $V_{F(OFF)} = -3\text{ V}$ to 0.8 V , $V_{CC} = 15\text{ V}$ to 32 V , $V_{EE} = \text{ground}$) unless otherwise specified. Typical values are characteristics of the device and are the result of engineering evaluations. Typical values are for information only and are not part of the testing requirements. All typical values were measured at $T_{amb} = 25\text{ }^\circ\text{C}$ and with $V_{CC} - V_{EE} = 32\text{ V}$.
- (1) Maximum pulse width = 50 μs , maximum duty cycle = 0.5 %.
- (2) Maximum pulse width = 10 μs , maximum duty cycle = 0.2 %. This value is intended to allow for component tolerances for designs with I_O peak minimum = 2.5 A.
- (3) In this test V_{OH} is measured with a dc load current. When driving capacitive loads V_{OH} will approach V_{CC} as I_{OH} approaches zero A. Maximum pulse width = 1 ms, maximum duty cycle = 20 %.

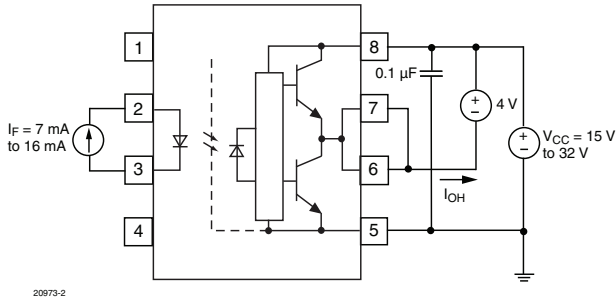
TEST CIRCUITS


Fig. 1 - IOH Test Circuit

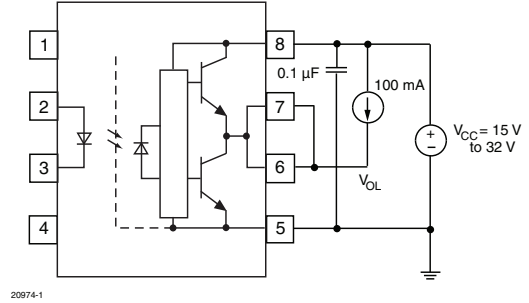


Fig. 4 - VOL Test Circuit

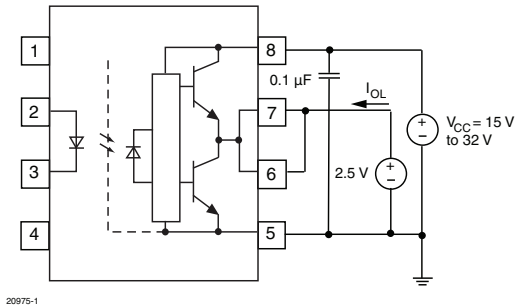


Fig. 2 - IOL Test Circuit

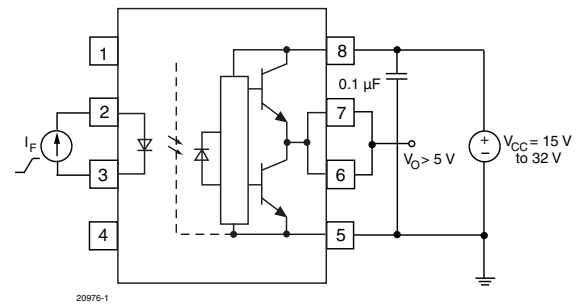


Fig. 5 - IFLH Test Circuit

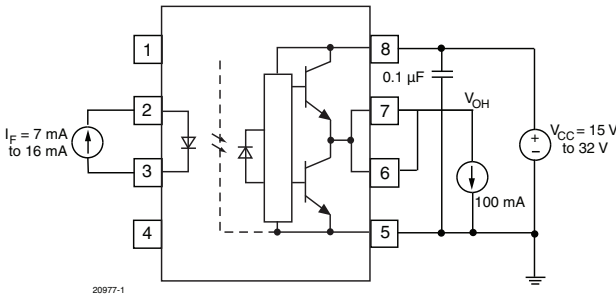


Fig. 3 - VOH Test Circuit

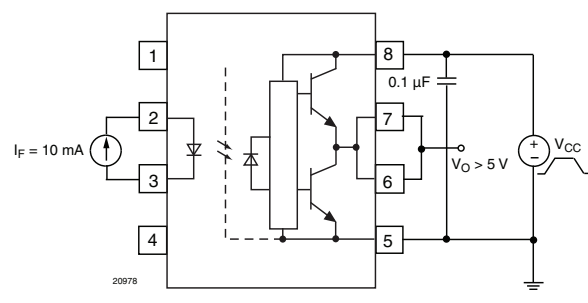


Fig. 6 - UVLO Test Circuit

SWITCHING CHARACTERISTICS

| PARAMETER | TEST CONDITION | SYMBOL | MIN. | TYP. | MAX. | UNIT |
|---|---|----------------|------|------|------|---------------|
| Propagation delay time to logic low output (1) | $R_g = 10 \Omega$, $C_g = 10 \text{ nF}$, $f = 10 \text{ kHz}$, duty cycle = 50 % | t_{PHL} | 0.1 | | 0.4 | μs |
| Propagation delay time to logic high output (1) | $R_g = 10 \Omega$, $C_g = 10 \text{ nF}$, $f = 10 \text{ kHz}$, duty cycle = 50 % | t_{PLH} | 0.1 | | 0.4 | μs |
| Pulse width distortion (2) | $R_g = 10 \Omega$, $C_g = 10 \text{ nF}$, $f = 10 \text{ kHz}$, duty cycle = 50 % | PWD | | | 0.2 | μs |
| Rise time | $R_g = 10 \Omega$, $C_g = 10 \text{ nF}$, $f = 10 \text{ kHz}$, duty cycle = 50 % | t_r | | 0.1 | | μs |
| Fall time | $R_g = 10 \Omega$, $C_g = 10 \text{ nF}$, $f = 10 \text{ kHz}$, duty cycle = 50 % | t_f | | 0.1 | | μs |
| UVLO turn on delay | $V_O > 5 \text{ V}$, $I_F = 10 \text{ mA}$ | $T_{UVLO-ON}$ | | 0.8 | | μs |
| UVLO turn off delay | $V_O < 5 \text{ V}$, $I_F = 10 \text{ mA}$ | $T_{UVLO-OFF}$ | | 0.6 | | μs |

Notes

(1) This load condition approximates the gate load of a 1200 V/75 A IGBT.

 (2) Pulse width distortion (PWD) is defined as $|t_{PHL} - t_{PLH}|$ for any given device.

 (3) The difference between t_{PHL} and t_{PLH} between any two VO3120 parts under the same test condition.

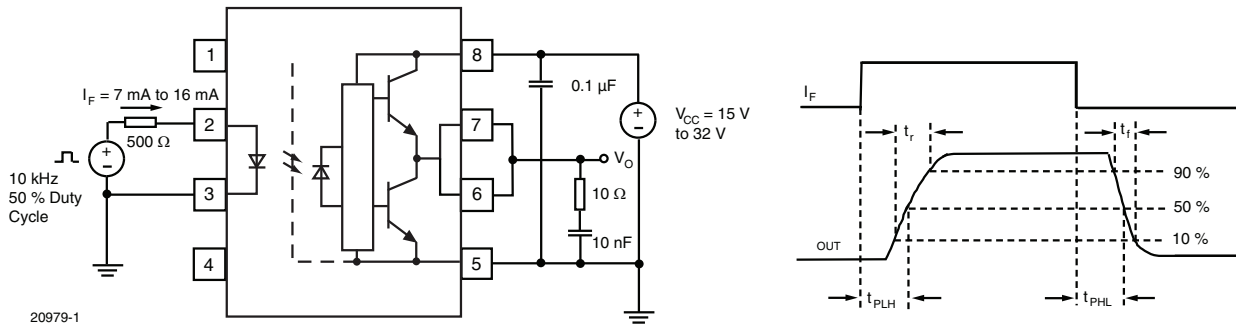


Fig. 7 - t_{PLH} , t_{PHL} , t_r and t_f Test Circuit and Waveforms

| COMMON MODE TRANSIENT IMMUNITY | | | | | | |
|---|--|----------|------|------|------|-------------------|
| PARAMETER | TEST CONDITION | SYMBOL | MIN. | TYP. | MAX. | UNIT |
| Common mode transient immunity at logic high output ⁽¹⁾⁽²⁾ | $T_A = 25\text{ }^\circ\text{C}$, $I_F = 10\text{ mA to }16\text{ mA}$, $V_{CM} = 1500\text{ V}$, $V_{CC} = 32\text{ V}$ | $ CM_H $ | 25 | 35 | | kV/ μs |
| Common mode transient immunity at logic low output ⁽¹⁾⁽³⁾ | $T_A = 25\text{ }^\circ\text{C}$, $V_{CM} = 1500\text{ V}$, $V_{CC} = 32\text{ V}$, $V_F = 0\text{ V}$ | $ CM_L $ | 25 | 35 | | kV/ μs |

Notes

- (1) Pins 1 and 4 need to be connected to LED common.
- (2) Common mode transient immunity in the high state is the maximum tolerable $|dV_{CM}/dt|$ of the common mode pulse, V_{CM} , to assure that the output will remain in the high state (i.e., $V_O > 15\text{ V}$).
- (3) Common mode transient immunity in a low state is the maximum tolerable $|dV_{CM}/dt|$ of the common mode pulse, V_{CM} , to assure that the output will remain in a low state (i.e., $V_O < 1\text{ V}$).

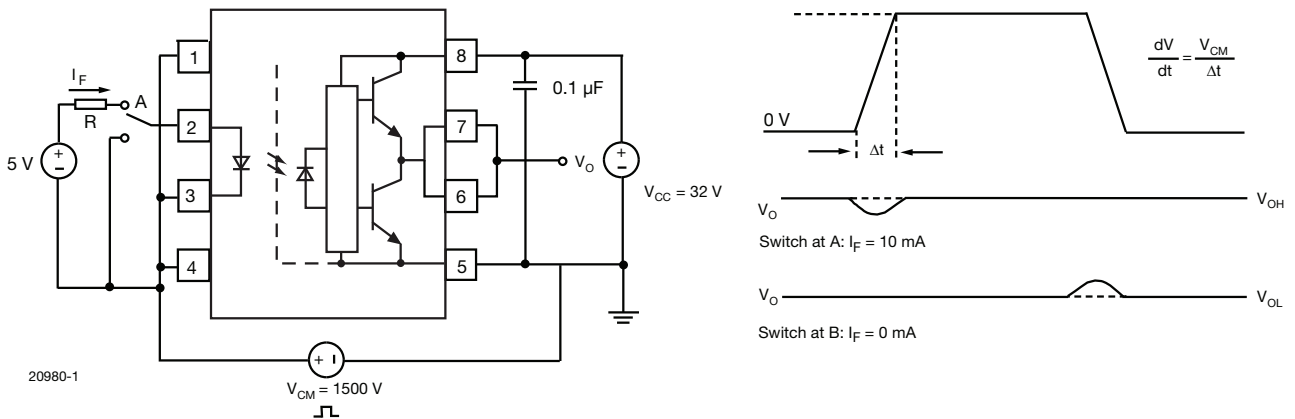


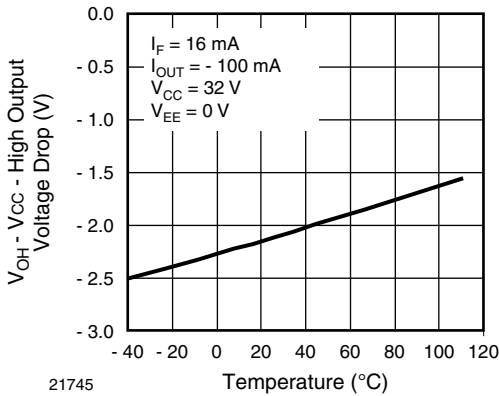
Fig. 8 - CMR Test Circuit and Waveforms

| SAFETY AND INSULATION RATINGS | | | | | | |
|--|----------------|------------|------|-----------|------|------|
| PARAMETER | TEST CONDITION | SYMBOL | MIN. | TYP. | MAX. | UNIT |
| Climatic classification (according to IEC 68 part 1) | | | | 40/110/21 | | |
| Comparative tracking index | | CTI | 175 | | 399 | |
| Peak transient overvoltage | | V_{IOTM} | 8000 | | | V |
| Peak insulation voltage | | V_{IORM} | 890 | | | V |
| Safety rating - power output | | P_{SO} | | | 500 | mm |
| Safety rating - input current | | I_{SI} | | | 300 | mm |
| Safety rating - temperature | | T_{SI} | | | 175 | °C |
| Creepage distance | Standard DIP-8 | | 7 | | | mm |
| Clearance distance | Standard DIP-8 | | 7 | | | mm |
| Creepage distance | 400 mil DIP-8 | | 8 | | | mm |
| Clearance distance | 400 mil DIP-8 | | 8 | | | mm |

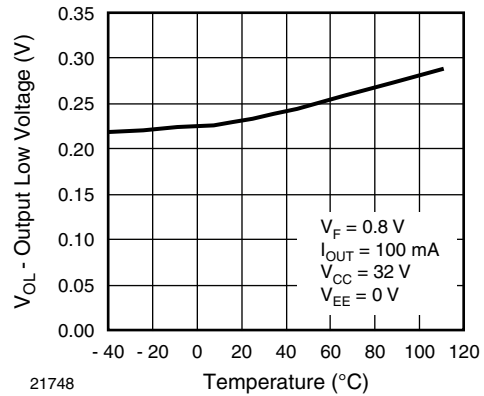
Note

- As per IEC 60747-5-2, §7.4.3.8.1, this optocoupler is reinforced rated and suitable for “safe electrical insulation” only within the safety ratings. Compliance with the safety ratings shall be ensured by means of protective circuits.

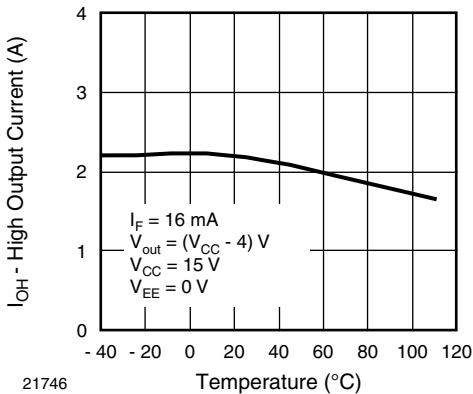
TYPICAL CHARACTERISTICS ($T_{amb} = 25\text{ }^{\circ}\text{C}$, unless otherwise specified)



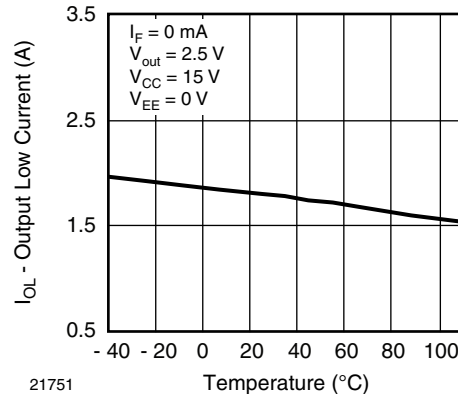
21745 Fig. 9 - High Output Voltage Drop vs. Temperature



21748 Fig. 11 - Output Low Voltage vs. Temperature



21746 Fig. 10 - High Output Current vs. Temperature



21751 Fig. 12 - Output Low Current vs. Temperature

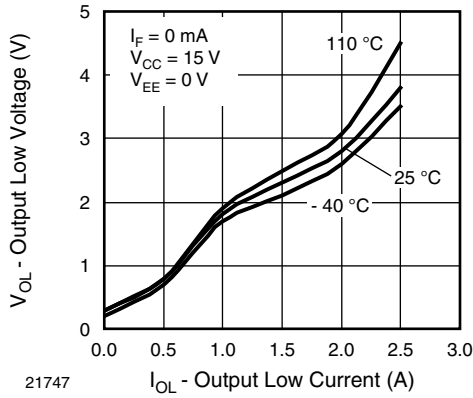


Fig. 13 - Output Low Voltage vs. Output Low Current

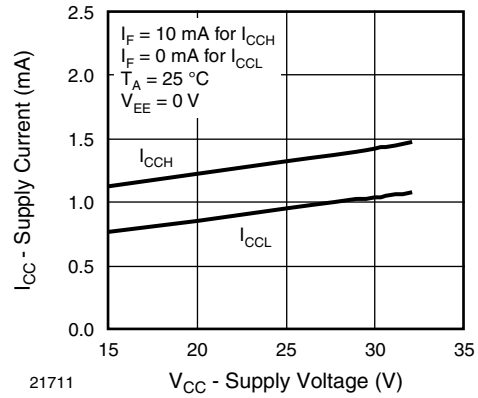


Fig. 16 - Supply Current vs. Supply Voltage

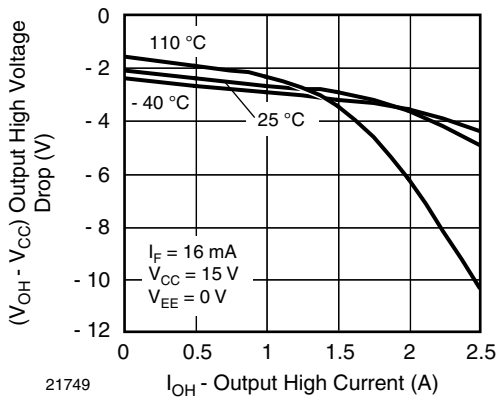


Fig. 14 - Output High Voltage Drop vs. Output High Current

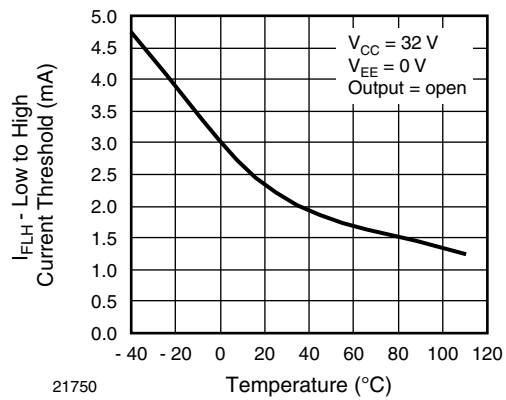


Fig. 17 - Low to High Current Threshold vs. Temperature

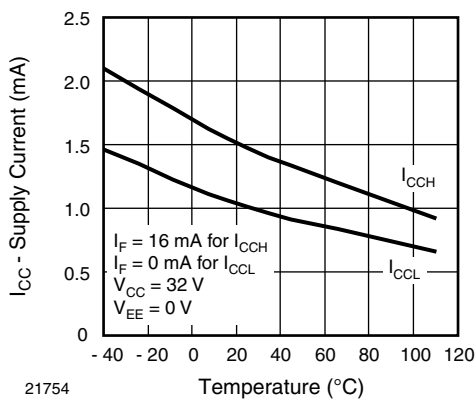


Fig. 15 - Supply Current vs. Temperature

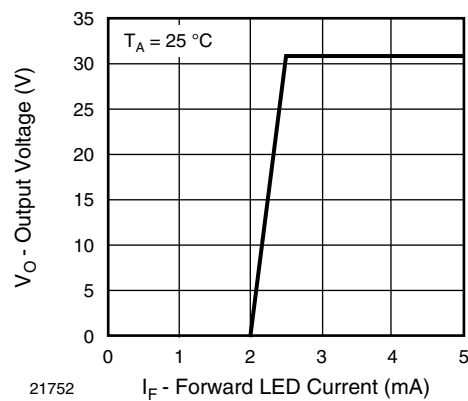


Fig. 18 - Transfer Characteristics

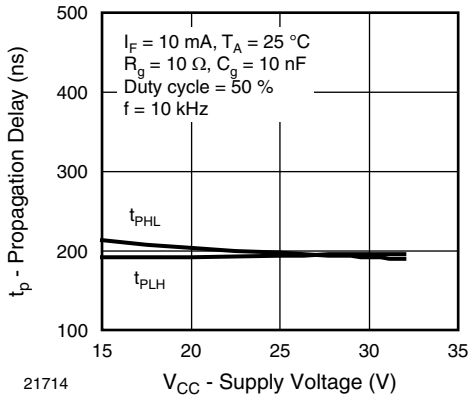


Fig. 19 - Propagation Delay vs. Supply Voltage

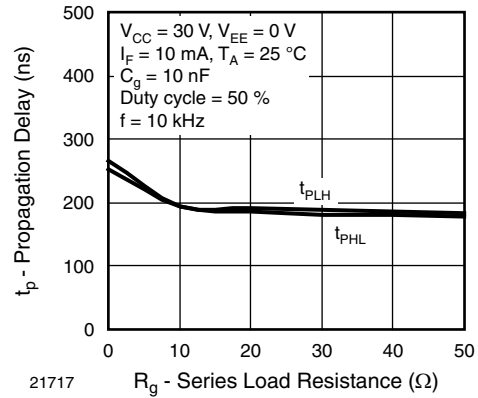


Fig. 22 - Propagation Delay vs. Series Load Resistance

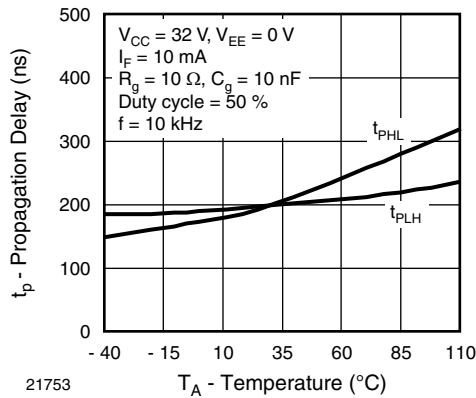


Fig. 20 - Propagation Delay vs. Temperature

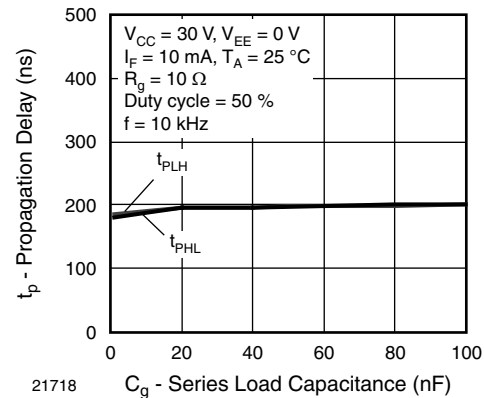


Fig. 23 - Propagation Delay vs. Series Load Capacitance

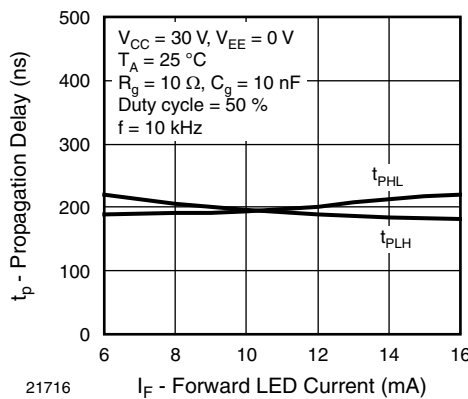
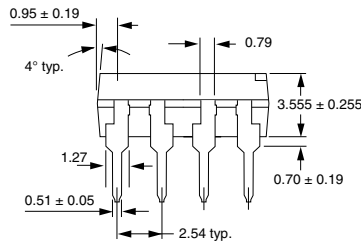
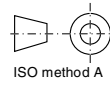
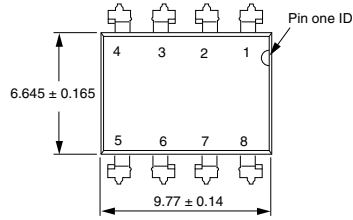
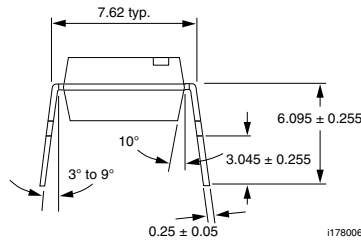


Fig. 21 - Propagation Delay vs. Forward LED Current

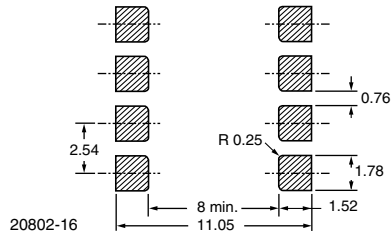
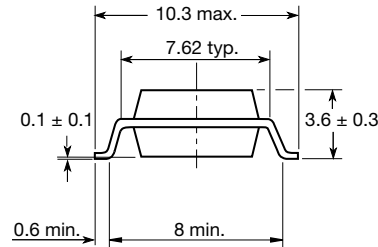
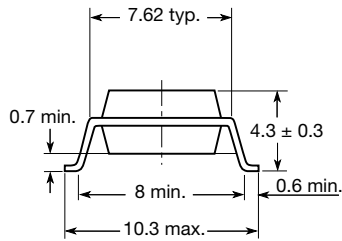
PACKAGE DIMENSIONS in millimeters



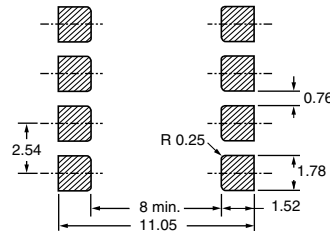
Option 7



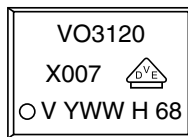
Option 9



20802-16



PACKAGE MARKING



Notes

- The VDE logo is only marked on option 1 parts.
- Tape and reel suffix (T) is not part of the package marking.



Disclaimer

ALL PRODUCT, PRODUCT SPECIFICATIONS AND DATA ARE SUBJECT TO CHANGE WITHOUT NOTICE TO IMPROVE RELIABILITY, FUNCTION OR DESIGN OR OTHERWISE.

Vishay Intertechnology, Inc., its affiliates, agents, and employees, and all persons acting on its or their behalf (collectively, "Vishay"), disclaim any and all liability for any errors, inaccuracies or incompleteness contained in any datasheet or in any other disclosure relating to any product.

Vishay makes no warranty, representation or guarantee regarding the suitability of the products for any particular purpose or the continuing production of any product. To the maximum extent permitted by applicable law, Vishay disclaims (i) any and all liability arising out of the application or use of any product, (ii) any and all liability, including without limitation special, consequential or incidental damages, and (iii) any and all implied warranties, including warranties of fitness for particular purpose, non-infringement and merchantability.

Statements regarding the suitability of products for certain types of applications are based on Vishay's knowledge of typical requirements that are often placed on Vishay products in generic applications. Such statements are not binding statements about the suitability of products for a particular application. It is the customer's responsibility to validate that a particular product with the properties described in the product specification is suitable for use in a particular application. Parameters provided in datasheets and/or specifications may vary in different applications and performance may vary over time. All operating parameters, including typical parameters, must be validated for each customer application by the customer's technical experts. Product specifications do not expand or otherwise modify Vishay's terms and conditions of purchase, including but not limited to the warranty expressed therein.

Except as expressly indicated in writing, Vishay products are not designed for use in medical, life-saving, or life-sustaining applications or for any other application in which the failure of the Vishay product could result in personal injury or death. Customers using or selling Vishay products not expressly indicated for use in such applications do so at their own risk. Please contact authorized Vishay personnel to obtain written terms and conditions regarding products designed for such applications.

No license, express or implied, by estoppel or otherwise, to any intellectual property rights is granted by this document or by any conduct of Vishay. Product names and markings noted herein may be trademarks of their respective owners.

Material Category Policy

Vishay Intertechnology, Inc. hereby certifies that all its products that are identified as RoHS-Compliant fulfill the definitions and restrictions defined under Directive 2011/65/EU of The European Parliament and of the Council of June 8, 2011 on the restriction of the use of certain hazardous substances in electrical and electronic equipment (EEE) - recast, unless otherwise specified as non-compliant.

Please note that some Vishay documentation may still make reference to RoHS Directive 2002/95/EC. We confirm that all the products identified as being compliant to Directive 2002/95/EC conform to Directive 2011/65/EU.

Vishay Intertechnology, Inc. hereby certifies that all its products that are identified as Halogen-Free follow Halogen-Free requirements as per JEDEC JS709A standards. Please note that some Vishay documentation may still make reference to the IEC 61249-2-21 definition. We confirm that all the products identified as being compliant to IEC 61249-2-21 conform to JEDEC JS709A standards.

Данный компонент на территории Российской Федерации

Вы можете приобрести в компании MosChip.

Для оперативного оформления запроса Вам необходимо перейти по данной ссылке:

<http://moschip.ru/get-element>

Вы можете разместить у нас заказ для любого Вашего проекта, будь то серийное производство или разработка единичного прибора.

В нашем ассортименте представлены ведущие мировые производители активных и пассивных электронных компонентов.

Нашей специализацией является поставка электронной компонентной базы двойного назначения, продукции таких производителей как XILINX, Intel (ex.ALTERA), Vicor, Microchip, Texas Instruments, Analog Devices, Mini-Circuits, Amphenol, Glenair.

Сотрудничество с глобальными дистрибьюторами электронных компонентов, предоставляет возможность заказывать и получать с международных складов практически любой перечень компонентов в оптимальные для Вас сроки.

На всех этапах разработки и производства наши партнеры могут получить квалифицированную поддержку опытных инженеров.

Система менеджмента качества компании отвечает требованиям в соответствии с ГОСТ Р ИСО 9001, ГОСТ РВ 0015-002 и ЭС РД 009

Офис по работе с юридическими лицами:

105318, г.Москва, ул.Щербаковская д.3, офис 1107, 1118, ДЦ «Щербаковский»

Телефон: +7 495 668-12-70 (многоканальный)

Факс: +7 495 668-12-70 (доб.304)

E-mail: info@moschip.ru

Skype отдела продаж:

moschip.ru

moschip.ru_4

moschip.ru_6

moschip.ru_9