

**Accessories Industrial Power Relay RT**

- For Industrial Power Relay RT  
pinnings 3.5mm / 5mm; relay height 15.7 mm
- New retainer clip with ejection function
- Easy replacement of relays on a densely packed DIN rail
- No reduction of protection class or creepage/clearance with plastic retainer
- Simple plug-in indicator- and protection modules
- White snap-on marking tags
- RoHS compliant (Directive 2002/95/EC)



F0228-F

**Premium socket with screwless terminals for DIN rail mounting**

RT 78 72P Premium socket, logical terminal arrangement

- Screwless Clamps
- Mounting of solid wires without tool
- Double Clamps per terminal
- Jumper links for interconnection
- Open coil circuit for active modules
- Logical terminal arrangement



**Approvals**

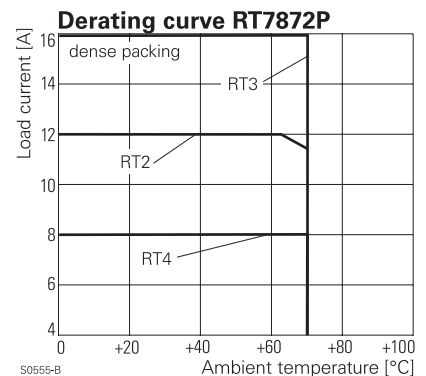
VDE REG.-Nr. 6106, cULus E135149

\*) For 1 pole relays (16 A) the relay terminals 11-21, 12-22 and 14-24 have to be bridged.

**Technical data**

|   |                 |
|---|-----------------|
| Rated current                             | 2 x 8 A, 16 A*) |
| Rated voltage / max. switching voltage AC | 240/400 VAC     |
| Dielectric strength coil-contact circuit  | 5000 Vrms       |
| open contact circuit                      | 1000 Vrms       |
| adjacent contact circuits                 | 2500 Vrms       |
| Clearance / creepage coil-contact circuit | ≥ 10 / 10 mm    |
| Material group of insulation parts        | ≥ IIIa          |
| Insulation to IEC 60664-1                 |                 |
| Type of insulation coil-contact circuit   | reinforced      |
| open contact circuit                      | functional      |
| adjacent contact circuits                 | functional      |
| Rated insulation voltage                  | 250 V           |
| Pollution degree                          | 2               |
| Rated voltage system                      | 230/400 V       |
| Overvoltage category                      | III             |
| RoHS - Directive 2002/95/EC               | compliant       |
| Degree of protection DIN 40050            | IP20            |

- Not suitable for bistable relays with 2 coils!



**Accessories Industrial Power Relay RT (Continued)**

**Technical data (Continued)**

|  |  |
|--|--|
| Ambient temperature range  |  |
| for mounting/handling  | -20...+70°C  |
| in operation   | -40...+70°C  |
| Terminals  | screwless  |
| Wire strip length  | 12 mm  |
| Wire cross section   |  |
| solid wire   | 1 x 0.75/1.5 mm <sup>2</sup><br>2 x 0.75/1 mm <sup>2</sup> |
| with standard isolation (no oversize isolation)  | 2 x 1.5 mm <sup>2</sup>                                    |
| stranded wire  |  |
| without bootlace crimp   | 1 x 0.75/1.5 mm <sup>2</sup><br>2 x 0.75/1 mm <sup>2</sup> |
| without bootlace crimp with standard isolation   | 2 x 1.5 mm <sup>2</sup>                                    |
| with bootlace crimp  | 1 x 0.75/1 mm <sup>2</sup><br>2 x 0.75 mm <sup>2</sup>     |
| with bootlace crimp without isolation  | 1 x 1.5 mm <sup>2</sup>                                    |
| or isolation min 18 mm long  |  |
| For stranded wires with braids 0.05 mm or smaller the use of bootlace crimps is recommended. When using stranded wires without bootlace crimp the clamp must be opened during insertion. |  |
| Insertion cycles   | A (10)   |
| Max. Insertion Force total   | 100 N  |
| Mounting distance  | 0, dense packing   |
| Weight   | 36 g   |
| Packaging unit   | 10 pcs   |

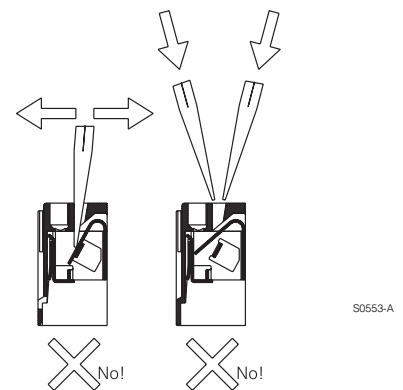
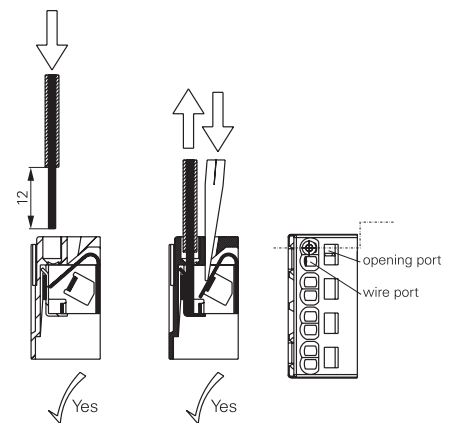
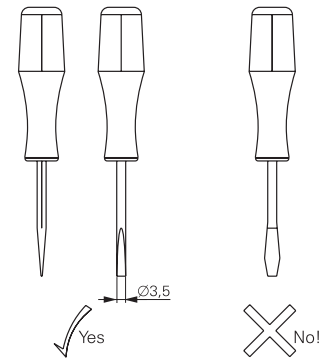
**Socket with screwless terminals for DIN rail mounting**

| Type  | Part Number |
|---|-------------|
| <b>RT 78 72P</b> Premium socket, logical terminal arrangement<br>Socket with screwless terminals,<br>pinning 5 mm for DIN rail mounting | 1860200-1   |

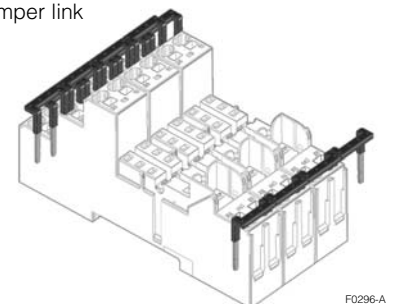
**Accessories for RT 78 72P**

| Type   | Part Number |
|--|-------------|
| <b>RT 17 017</b> Plastic retaining clip, relay height 15.7 | 2022103-1   |
| <b>RT 17 040</b> Marking tag                               | 2-1415038-1 |
| <b>RT 17 0P1</b> Jumper link, max load 12 A                | 1860211-1   |

**How to use, Precautions**



Jumper link



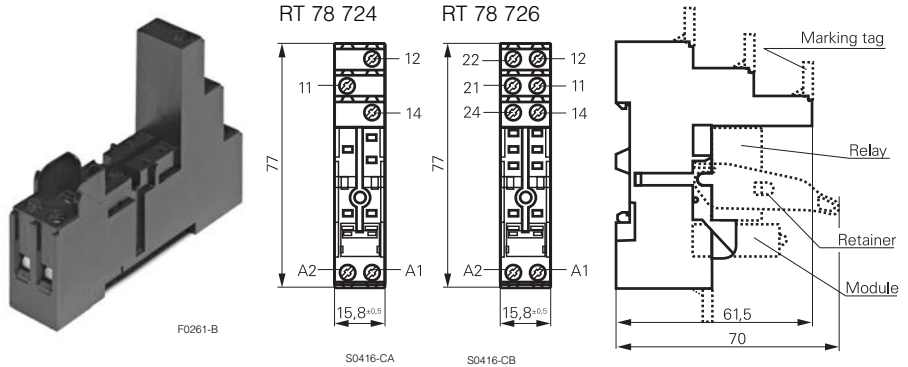
**Accessories Industrial Power Relay RT (Continued)**

**Socket with screw-type terminals for DIN rail mounting**

**RT 78 724** Socket with screw-type terminals, pinning 3.5 mm for DIN rail mounting

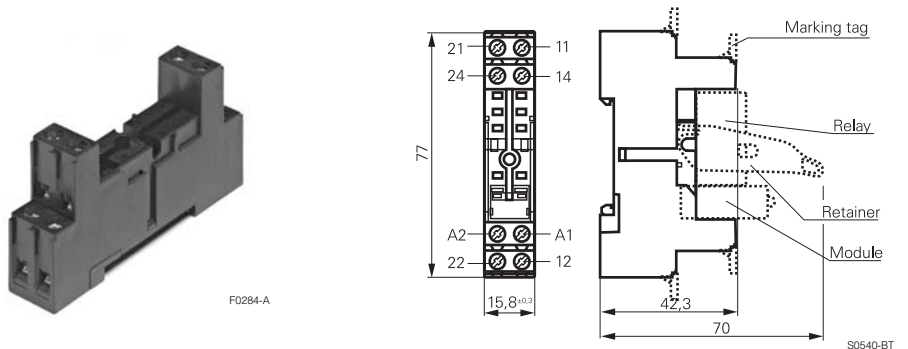
**RT 78 726** Socket with screw-type terminals, pinning 5 mm for DIN rail mounting, logical terminal arrangement

- Din-rail socket with logical setup of connections (input/output)
- High quality rising clamp terminals
- Captive combination terminal screws
- Jumper bars for interconnection



**RT 78 725** Socket with screw-type terminals, pinning 5 mm for DIN rail mounting, conventional terminal arrangement

- Conventional terminal arrangement



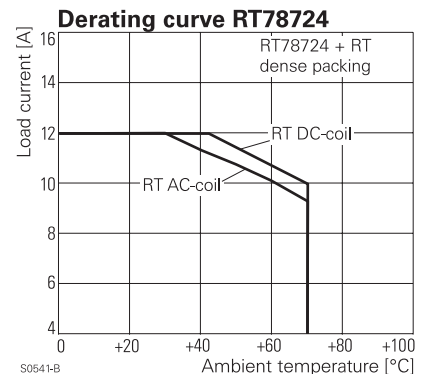
**Approvals**

VDE REG.-Nr. 6106 in preparation, **UL** US E135149

\*) For 1 pole relays (16 A) the relay terminals 11-21, 12-22 and 14-24 have to be bridged.  
For 1 pole relays (12 A) the relay terminals 11-12-14 have to be connected to the socket terminals 21-12-24

| Technical data                            | RT 78 724 / RT 78 726 | RT 78 725      |
|---|-----------------------|----------------|
| Rated current                             | 12 A, 2 x 8 A, 16 A*) |                |
| Rated voltage / max.switching voltage AC  | 240/400 VAC           |                |
| Dielectric strength coil-contact circuit  | 5000 Vrms             | 4000 Vrms      |
| open contact circuit                      | 1000 Vrms             | 1000 Vrms      |
| adjacent contact circuits                 | 2500 Vrms             | 2500 Vrms      |
| Clearance / creepage coil-contact circuit | ≥ 10 / 10 mm          | ≥ 4.7 / 4.7 mm |
| Material group of insulation parts        | ≥ IIIa                |                |
| Insulation to IEC 60664-1                 |                       |                |
| Type of insulation coil-contact circuit   | reinforced            | basic          |
| open contact circuit                      | functional            | functional     |
| adjacent contact circuits                 | functional            | functional     |
| Rated insulation voltage                  | 250 V                 |                |
| Pollution degree                          | 2                     |                |
| Rated voltage system                      | 230/400 V             |                |
| Overvoltage category                      | III                   |                |
| RoHS - Directive 2002/95/EC               | compliant             |                |
| Degree of protection DIN 40050            | IP20                  |                |
| Ambient temperature range                 |                       |                |
| for mounting/handling                     | -20...+70°C           |                |
| in operation                              | -40...+70°C           |                |

- Not suitable for bistable relays with 2 coils!



**Accessories Industrial Power Relay RT (Continued)**

| Technical data (Continued)                | RT 78 724 / RT 78 726   | RT 78 725 |
|---|-------------------------|-----------|
| Terminals                                 | screw                   |           |
| Terminal screw torque acc. IEC 61984 max. | 0.5 Nm<br>0.7 Nm        |           |
| Wire cross section                        |                         |           |
| single wire                               | 2 x 2.5 mm <sup>2</sup> |           |
| fine wire                                 | 2 x 2.5 mm <sup>2</sup> |           |
| with bootlace crimp (DIN 46228/1)         | 2 x 1.5 mm <sup>2</sup> |           |
| Insertion cycles                          | A (10)                  |           |
| Max. Insertion Force total                | 100 N                   |           |
| Mounting distance                         | 0, dense packing        |           |
| Weight                                    | 36 g                    |           |
| Packaging unit                            | 10 pcs                  |           |

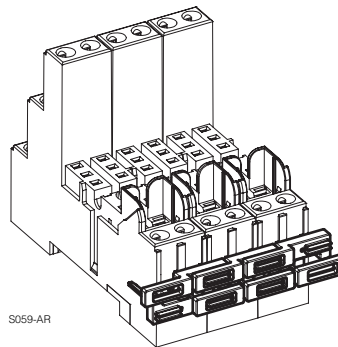


| Socket with screw-type terminals for DIN rail mounting |   |             |
|--|---|-------------|
| Type   |   | Part Number |
| <b>RT 78 724</b>                                       | Socket with screw-type terminals, pinning 3.5 mm for DIN rail mounting, logical terminal arrangement    | 8-1415035-1 |
| <b>RT 78 726</b>                                       | Socket with screw-type terminals, pinning 5 mm for DIN rail mounting, logical terminal arrangement      | 6-1415035-1 |
| <b>RT 78 725</b>                                       | Socket with screw-type terminals, pinning 5 mm for DIN rail mounting, conventional terminal arrangement | 1860306-1   |



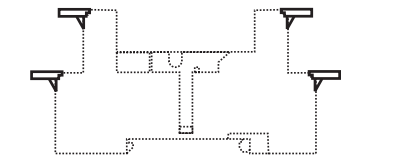
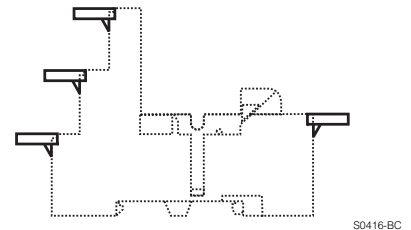
| Accessories for RT 78 724, RT 78 725, RT 78 726 |  |             |
|---|--|-------------|
| Type  |  | Part Number |
| <b>RT 17 017</b>                                | Plastic retaining clip, relay height 15.7                      | 2022103-1   |
| <b>RT 17 040</b>                                | Marking tag  | 2-1415038-1 |
| <b>RT 17 0R8</b>                                | Jumper bar, max load 12 A for connection of up to 8 RT sockets | 1860517-8   |

Jumper bar



Marking tags

- White marking area 15.5 x 6 mm
- Snaps on socket in up to 4 positions



**Accessories Industrial Power Relay RT (Continued)**

**LED- and Protection Modules for RT 78 72P, RT 78 724, RT 78 725, RT 78 726**

Easy insertion of module into the socket  
Wiring in parallel to the coil

| Type   | Part Number |
|--|-------------|
| <b>PTM TO 0A0</b> EM09 Protection diode (standard, A1+, A2-) | 9-1415036-1 |
| <b>PTM TO 0L0</b> EM01 Protection diode (A1-, A2+)           | 1415037-1   |
| <b>PTM U0 524</b> EM02 RC-network 6...60 VAC                 | 1-1415037-1 |
| <b>PTM U0 730</b> EM03 RC-network 110...230 VAC              | 2-1415037-1 |
| <b>PTM V0 524</b> EM04 Varistor 24 VAC                       | 3-1415037-1 |
| <b>PTM V0 615</b> EM13 Varistor 115 VAC                      | 6-1415365-1 |
| <b>PTM V0 730</b> EM05 Varistor 230 VAC                      | 4-1415037-1 |
| <b>PTM R0 730</b> EM29 Bleeder Resistor 110...230 VAC        | 1-1415539-2 |



**LED**

|  |             |
|--|-------------|
| <b>PTM LO 024</b> EM18 red LED 6...24 VDC w. prot.diode (std, A1+, A2-)    | 5-1415036-1 |
| <b>PTM GO 024</b> EM12 green LED 6...24 VDC w. prot.diode (std, A1+, A2-)  | 2-1415036-1 |
| <b>PTM L1 024</b> EM08 red LED 6...24 VDC w. prot. diode (A1-, A2+)        | 8-1415036-1 |
| <b>PTM LO 060</b> EM16 red LED 24...60 VDC w. prot.diode (std, A1+, A2-)   | 5-1415539-3 |
| <b>PTM GO 060</b> EM25 green LED 24...60 VDC w. prot.diode (std, A1+, A2-) | 7-1415539-7 |
| <b>PTM LO 110</b> EM19 red LED 60...110 VDC w. prot. diode (A1+, A2-)      | 2-1415392-1 |
| <b>PTM GO 110</b> EM26 green LED 60...110 VDC w. prot diode (A1+, A2-)     | 1-1415539-7 |
| <b>PTM LO 220</b> EM27 red LED 110...220 VDC w. prot. diode (A1+, A2-)     | 1-1415539-4 |
| <b>PTM GO 220</b> EM28 green LED 110...220 VDC w. prot diode (A1+, A2-)    | 1-1415539-6 |
| <b>PTM LO 524</b> EM07 red LED 6...24 VDC/VAC                              | 6-1415036-1 |
| <b>PTM GO 524</b> EM11 green LED 6...24 VDC/VAC                            | 3-1415036-1 |
| <b>PTM LO 560</b> EM14 red LED 24...60 VDC/VAC                             | 1-1415539-3 |
| <b>PTM GO 560</b> EM30 green LED 24...60 VDC/VAC                           | 1-1415539-5 |
| <b>PTM LO 730</b> EM06 red LED 110...230 VAC                               | 7-1415036-1 |
| <b>PTM GO 730</b> EM10 green LED 110...230 VAC                             | 4-1415036-1 |

**Relay Packages**

Complete packages consisting of a relay mounted on a socket: see Relay Package RT

**Accessories Industrial Power Relay RT (Continued)**

**Sockets for PCB mount**

**RP 78 601** Socket with PCB terminals, pinning 3.5 mm



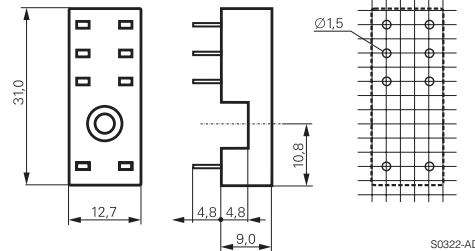
F0116-A



**RP 78 602** Socket with PCB terminals, pinning 5 mm



F0117-A



**Approvals**

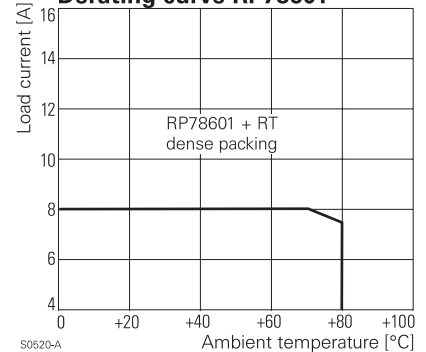


**Technical data**

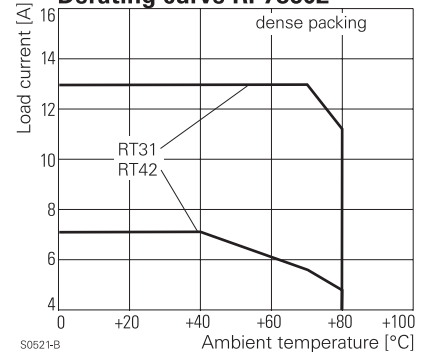
**RP 78 601 / RP 78 602**

|   |                       |
|---|-----------------------|
| Rated current                             | 12 A *)               |
| Limiting continuous current               | see derating curve    |
| Rated voltage / max. switching voltage AC | 240/400               |
| Dielectric strength coil-contact circuit  | 4000 V <sub>rms</sub> |
| open contact circuit                      | 1000 V <sub>rms</sub> |
| adjacent contact circuits                 | 2500 V <sub>rms</sub> |
| Clearance / creepage coil-contact circuit | ≥ 10 / 10 mm          |
| Material group of insulation parts        | ≥ IIIa                |
| Insulation to IEC 60664-1                 |                       |
| Type of insulation coil-contact circuit   | reinforced            |
| open contact circuit                      | functional            |
| adjacent contact circuits                 | functional            |
| Rated insulation voltage                  | 250 V                 |
| Pollution degree                          | 2                     |
| Rated voltage system                      | 230/400 V             |
| Overvoltage category                      | III                   |
| RoHS - Directive 2002/95/EC               | compliant             |
| Degree of protection DIN 40050            | IP20                  |
| Ambient temperature range                 | -40...+80°C           |
| Terminals                                 | pcb                   |
| Insertion cycles                          | A (10)                |
| Max. Insertion Force total                | 100 N                 |
| Mounting distance                         | 0, dense packing      |
| Resistance to soldering heat              | 270°C / 10 s          |
| Weight                                    | 3 g                   |
| Packaging unit                            | 100 pcs               |

**Derating curve RP78601**



**Derating curve RP78602**



**Socket with PCB terminals**

| Type   | Part Number |
|--|-------------|
| <b>RP 78 601</b> Socket with PCB terminals, pinning 3.5 mm | 8-1393234-4 |
| <b>RP 78 602</b> Socket with PCB terminals, pinning 5 mm   | 8-1393234-5 |

**Accessories for RP 78 601, RP 78 602**

| Type   | Part Number |
|--|-------------|
| <b>RT 16 041</b> Plastic retaining clip RT, relay height 15.7 mm | 3-1393161-4 |
| <b>RT 28 516</b> Metal retaining clip RT, relay height 15.7 mm   | 1419108-7   |

\*) For 1 pole relays (16 A) the relay terminals 11-21, 12-22 and 14-24 have to be bridged on the PCB.

## Данный компонент на территории Российской Федерации

### Вы можете приобрести в компании MosChip.

Для оперативного оформления запроса Вам необходимо перейти по данной ссылке:

<http://moschip.ru/get-element>

Вы можете разместить у нас заказ для любого Вашего проекта, будь то серийное производство или разработка единичного прибора.

В нашем ассортименте представлены ведущие мировые производители активных и пассивных электронных компонентов.

Нашей специализацией является поставка электронной компонентной базы двойного назначения, продукции таких производителей как XILINX, Intel (ex.ALTERA), Vicor, Microchip, Texas Instruments, Analog Devices, Mini-Circuits, Amphenol, Glenair.

Сотрудничество с глобальными дистрибьюторами электронных компонентов, предоставляет возможность заказывать и получать с международных складов практически любой перечень компонентов в оптимальные для Вас сроки.

На всех этапах разработки и производства наши партнеры могут получить квалифицированную поддержку опытных инженеров.

Система менеджмента качества компании отвечает требованиям в соответствии с ГОСТ Р ИСО 9001, ГОСТ РВ 0015-002 и ЭС РД 009

### Офис по работе с юридическими лицами:

105318, г.Москва, ул.Щербаковская д.3, офис 1107, 1118, ДЦ «Щербаковский»

Телефон: +7 495 668-12-70 (многоканальный)

Факс: +7 495 668-12-70 (доб.304)

E-mail: [info@moschip.ru](mailto:info@moschip.ru)

Skype отдела продаж:

moschip.ru

moschip.ru\_4

moschip.ru\_6

moschip.ru\_9