

Super Capacitors

Super Capacitor



- All specifications in this catalog and production status of products are subject to change without notice. Prior to the purchase, please contact NEC TOKIN for updated product data.
- Please request for a specification sheet for detailed product data prior to the purchase.
- Before using the product in this catalog, please read "Precautions" and other safety precautions listed in the printed version catalog.

FOR CORRECT USE OF SUPER CAPACITORS

1. Please confirm the operating conditions and the specifications of the Super Capacitors before using them.
2. The electrolyte of these Super Capacitors is sealed with material such as rubber. When you use the capacitors for a long time at high temperature, the moisture of the electrolyte evaporates and the equivalent series resistance (E.S.R.) increases. The fundamental failure mode is the open mode depending on E.S.R. increase.

When using a capacitor, please introduce a safe design assuming unexpected capacitor failure, such as redundancy in design and protection from fire and erroneous operation.
3. Please read 'Notes on Using the Super Capacitor' on page 60 when you design the circuits using the Super Capacitors.



- All specifications in this catalog and production status of products are subject to change without notice. Prior to the purchase, please contact NEC TOKIN for updated product data.
- Please request for a specification sheet for detailed product data prior to the purchase.
- Before using the product in this catalog, please read "Precautions" and other safety precautions listed in the printed version catalog.

CONTENTS

| | page |
|---|-----------|
| 1. Organization of Super Capacitor Series | 4 |
| 2. Performance for Selection | 5 |
| 3. Characteristics of Super Capacitor | 5 |
| 4. Typical Applications | 6 |
| 5. Part Number System | 7 |
| 6. Rated Specifications | 9 |
| 6.1 FC Series (SMD Type) | 9 |
| 6.2 FM Series | 13 |
| 6.3 FG Series | 20 |
| 6.4 FT Series | 22 |
| 6.5 FY Series | 24 |
| 6.6 FR Series | 26 |
| 6.7 FS Series | 28 |
| 6.8 FA, FE Series | 30 |
| 6.9 HV Series (High Capacitance Type) | 32 |
| 7. Packing | 33 |
| 8. List of Plating Type and Sleeve Type | 34 |
| 9. Measurement Conditions | 35 |
| 10. Notes on Using Super Capacitor (Electric Double-Layer Capacitor) | 36 |



- All specifications in this catalog and production status of products are subject to change without notice. Prior to the purchase, please contact NEC TOKIN for updated product data.
- Please request for a specification sheet for detailed product data prior to the purchase.
- Before using the product in this catalog, please read "Precautions" and other safety precautions listed in the printed version catalog.

1. Organization of Super Capacitor Series

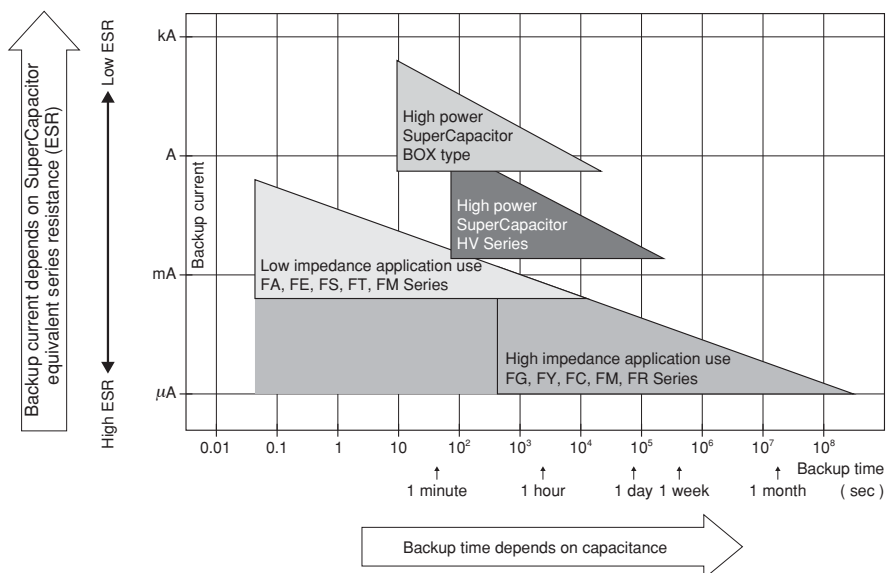


4 Super Capacitors Vol.12



- All specifications in this catalog and production status of products are subject to change without notice. Prior to the purchase, please contact NEC TOKIN for updated product data.
- Please request for a specification sheet for detailed product data prior to the purchase.
- Before using the product in this catalog, please read "Precautions" and other safety precautions listed in the printed version catalog.

2. Performance for Selection



3. Characteristics of Super Capacitor

Super Capacitor can not be used for applications in AC circuit such as ripple absorption because it has high internal resistance (several hundred $\text{m}\Omega$ to a hundred Ω) compared to aluminum electrolysis capacitor. Thus its main use would be similar to that of secondary battery such as power back-up in DC circuit. The following list shows the characteristics of Super Capacitors as compared to aluminum electrolyses capacitors for power back-up and secondary batteries.

| | Secondary battery | | Capacitor | |
|----------------------------------|--------------------|--|--------------------------------|-------------------------------|
| | NiCd battery | Lithium ion battery | Aluminum electrolysis capacito | Super Capacitor |
| Back-up ability | ◎ | ◎ | △ | ○ |
| Eco-hazard | Cd | — | — | — |
| Operating temperature range | -20 to 60 °C | -20 to 50 °C | -55 to 105 °C | -40 to 85 °C (FR, FT) |
| Charge time | few hours | few hours | few minutes | few minutes |
| Charge/discharge life time | approx. 500 times | approx. 500 to 1000 times | limitless (*1) | limitless (*1) |
| Restrictions on charge/discharge | yes | yes | none | none |
| Flow soldering | not applicable | not applicable | applicable | applicable |
| Automatic mounting | not applicable | not applicable | applicable | applicable (FM and FC series) |
| Safety risks | leakage, explosion | leakage, combustion, explosion, ignition | heat-up, explosion | gas emission (*2) |

(*1) Aluminum electrolysis capacitor and Super Capacitor has limited lifetime. However, when used under proper conditions, both can operate sufficiently within the designed lifetime of the set they are built in.

(*2) There is no harm as it is a mere leak of water vapor which transitioned from water contained in the electrolyte (diluted sulfuric acid). However, application of abnormal voltage surge exceeding maximum operating voltage may result in leakage and explosion.



- All specifications in this catalog and production status of products are subject to change without notice. Prior to the purchase, please contact NEC TOKIN for updated product data.
- Please request for a specification sheet for detailed product data prior to the purchase.
- Before using the product in this catalog, please read "Precautions" and other safety precautions listed in the printed version catalog.

4. Typical Applications

As in the characteristics remarked previously, Super Capacitor has characteristics intermediate between general capacitors and batteries. Because of this, Super Capacitor can be used like a secondary battery when applied to DC circuit. The best suited applications of Super Capacitor are back-up device for the power shut-down of micro computers and RAM's. The list below shows main application examples.

Application Examples of Super Capacitor

| Intended use (guideline) | Power supply (guideline) | Application | Examples of equipments | Series |
|--------------------------------|--------------------------|---|--|--|
| Long time back-up | 500 μ A and below | • CMOS RAM, IC for clocks | • Measuring device, Control equipment, Communication device, Automotive power source | • FR series (85°C guaranteed) |
| | | • CMOS micro computer, IC for clocks | • CMOS micro computer • Static RAM/DTS (digital tuning system) | • FC series • FG series • FY series • FM series |
| Back-up for 1 hour or less | 50 mA and below | • Micro computer, RAM | • VCR, Microwave oven, • Micro computer • Memory equipped device | • FT series • FS series |
| | | • Driving motor | • VCR, Printer, Projector • Video disk | |
| | | • Subsidiary power supply for driving motor during voltage drop | • Camera | |
| Back-up for 10 seconds or less | 1 A and below | • Power source of toys, LED, buzzer | • Toys, Display device, Alarm device | • FA series • FE series |
| | | • High current supply for a short amount of time | • Actuator, Relay solenoid, Gas igniter | |
| Power assist | Up to several A | • Power supply, Subsidiary power supply | • Street sign, Display light, UPS | • HV series |



- All specifications in this catalog and production status of products are subject to change without notice. Prior to the purchase, please contact NEC TOKIN for updated product data.
- Please request for a specification sheet for detailed product data prior to the purchase.
- Before using the product in this catalog, please read "Precautions" and other safety precautions listed in the printed version catalog.

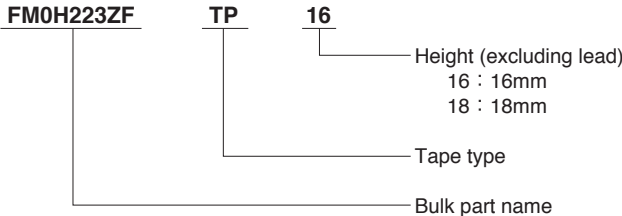
5. Part Number System

FM, FC, FT, FG, FS, FR, FY, FE, FA Series

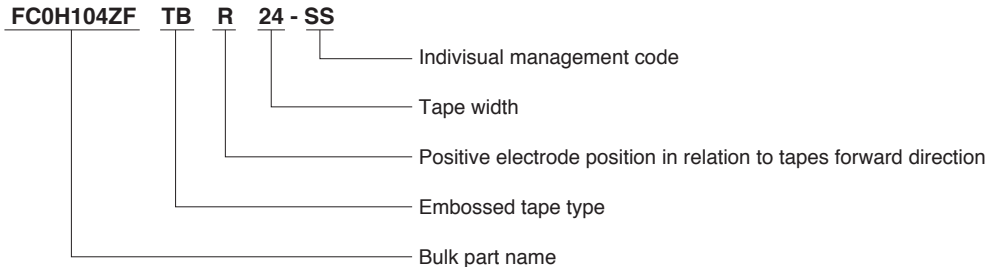
FG Series bulk type



FM Series tape type (Ammo pack)

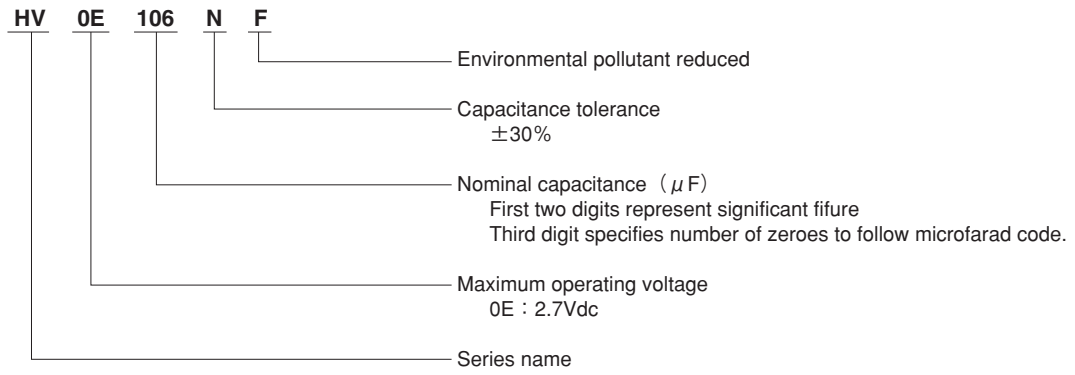


FC Series tape type (Embossed tape)



- All specifications in this catalog and production status of products are subject to change without notice. Prior to the purchase, please contact NEC TOKIN for updated product data.
- Please request for a specification sheet for detailed product data prior to the purchase.
- Before using the product in this catalog, please read "Precautions" and other safety precautions listed in the printed version catalog.

HV Series



8 Super Capacitors Vol.12



- All specifications in this catalog and production status of products are subject to change without notice. Prior to the purchase, please contact NEC TOKIN for updated product data.
- Please request for a specification sheet for detailed product data prior to the purchase.
- Before using the product in this catalog, please read "Precautions" and other safety precautions listed in the printed version catalog.

6. Rated Specifications

6.1 FC Series

Features

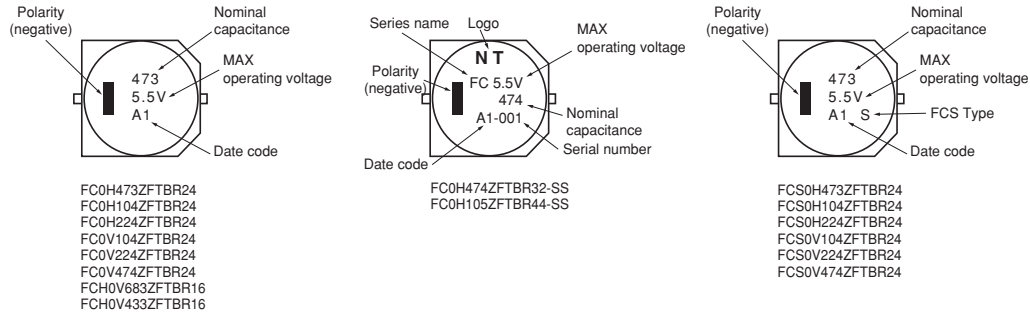
- Enables surface mounting.
- High rated voltage of 5.5V.
- High leakage reliability.

Dimensions



Markings

Displays nominal capacitance, MAX operating voltage serial number, polarity and etc.



Standard models

● FC Type

| Part Number | Max. Operating Voltage (Vdc) | Nominal Capacitance Discharge system (F) | Max. ESR (at 1kHz) (Ω) | Max. current at 30 minutes (mA) | Voltage Holding Characteristic Min. (V) | Dimension (Unit:mm) | | | | | | | | | | Weight (g) |
|-------------------|------------------------------|--|------------------------|---------------------------------|---|---------------------|------|------|------|---------|-----|------|---------|-----------------------------------|-----|------------|
| | | | | | | D | H | A | B | I | W | P | K | L | | |
| FC0H473ZFTBR24 | 5.5 | 0.047 | 50 | 0.071 | 4.2 | 10.5 | 5.5 | 10.8 | 10.8 | 3.6±0.5 | 1.2 | 5.0 | 0.7±0.3 | 0 ^{+0.3} _{-0.1} | 1.0 | |
| FC0H104ZFTBR24 | 5.5 | 0.10 | 25 | 0.15 | 4.2 | 10.5 | 5.5 | 10.8 | 10.8 | 3.6±0.5 | 1.2 | 5.0 | 0.7±0.3 | 0 ^{+0.3} _{-0.1} | 1.0 | |
| FC0H224ZFTBR24 | 5.5 | 0.22 | 25 | 0.33 | 4.2 | 10.5 | 8.5 | 10.8 | 10.8 | 3.6±0.5 | 1.2 | 5.0 | 0.7±0.3 | 0 ^{+0.3} _{-0.1} | 1.4 | |
| FC0H474ZFTBR32-SS | 5.5 | 0.47 | 13 | 0.71 | 4.2 | 16.0 | 9.5 | 16.3 | 16.3 | 6.8±1.0 | 1.2 | 5.0 | 1.2±0.5 | 0 ^{+0.5} _{-0.1} | 4.0 | |
| FC0H105ZFTBR44-SS | 5.5 | 1.0 | 7 | 1.50 | 4.2 | 21.0 | 10.5 | 21.6 | 21.6 | 7.0±1.0 | 1.4 | 10.0 | 1.2±0.5 | 0 ^{+0.5} _{-0.1} | 6.7 | |
| FC0V104ZFTBR24 | 3.5 | 0.10 | 50 | 0.09 | — | 10.5 | 5.5 | 10.8 | 10.8 | 3.6±0.5 | 1.2 | 5.0 | 0.7±0.3 | 0 ^{+0.3} _{-0.1} | 1.0 | |
| FC0V224ZFTBR24 | 3.5 | 0.22 | 25 | 0.20 | — | 10.5 | 5.5 | 10.8 | 10.8 | 3.6±0.5 | 1.2 | 5.0 | 0.7±0.3 | 0 ^{+0.3} _{-0.1} | 1.0 | |
| FC0V474ZFTBR24 | 3.5 | 0.47 | 25 | 0.42 | — | 10.5 | 8.5 | 10.8 | 10.8 | 3.6±0.5 | 1.2 | 5.0 | 0.7±0.3 | 0 ^{+0.3} _{-0.1} | 1.4 | |

● FCH Type

| Part Number | Max. Operating Voltage (Vdc) | Nominal Capacitance Discharge system (F) | Max. ESR (at 1kHz) (Ω) | Max. current at 30 minutes (mA) | Voltage Holding Characteristic Min. (V) | Dimension (Unit:mm) | | | | | | | | | | Weight (g) |
|-----------------|------------------------------|--|------------------------|---------------------------------|---|---------------------|-----|-----|-----|---------|-----|-----|---------|-----------------------------------|-----|------------|
| | | | | | | D | H | A | B | I | W | P | K | L | | |
| FCH0V683ZFTBR16 | 3.6 | 0.068 | 40 | 0.062 | — | 6.8 | 3.7 | 6.8 | 6.8 | 2.9±0.5 | 0.7 | 2.5 | 0.7±0.3 | 0 ^{+0.3} _{-0.1} | 0.3 | |
| FCH0H433ZFTBR16 | 5.5 | 0.043 | 50 | 0.065 | — | 6.8 | 5.0 | 6.8 | 6.8 | 2.9±0.5 | 0.7 | 2.5 | 0.7±0.3 | 0 ^{+0.3} _{-0.1} | 0.4 | |

● FCS Type

| Part Number | Max. Operating Voltage (Vdc) | Nominal Capacitance Discharge system (F) | Max. ESR (at 1kHz) (Ω) | Max. current at 30 minutes (mA) | Voltage Holding Characteristic Min. (V) | Dimension (Unit:mm) | | | | | | | | | | Weight (g) |
|-----------------|------------------------------|--|------------------------|---------------------------------|---|---------------------|-----|------|------|---------|-----|-----|---------|-----------------------------------|-----|------------|
| | | | | | | D | H | A | B | I | W | P | K | L | | |
| FCS0H473ZFTBR24 | 5.5 | 0.047 | 100 | 0.071 | 4.2 | 10.7 | 5.5 | 10.8 | 10.8 | 3.9±0.5 | 1.2 | 5.0 | 0.9±0.3 | 0 ^{+0.3} _{-0.1} | 1.0 | |
| FCS0H104ZFTBR24 | 5.5 | 0.10 | 50 | 0.15 | 4.2 | 10.7 | 5.5 | 10.8 | 10.8 | 3.9±0.5 | 1.2 | 5.0 | 0.9±0.3 | 0 ^{+0.3} _{-0.1} | 1.0 | |
| FCS0H224ZFTBR24 | 5.5 | 0.22 | 50 | 0.33 | 4.2 | 10.7 | 8.5 | 10.8 | 10.8 | 3.9±0.5 | 1.2 | 5.0 | 0.9±0.3 | 0 ^{+0.3} _{-0.1} | 1.4 | |
| FCS0V104ZFTBR24 | 3.5 | 0.10 | 100 | 0.09 | — | 10.7 | 5.5 | 10.8 | 10.8 | 3.9±0.5 | 1.2 | 5.0 | 0.9±0.3 | 0 ^{+0.3} _{-0.1} | 1.0 | |
| FCS0V224ZFTBR24 | 3.5 | 0.22 | 50 | 0.20 | — | 10.7 | 5.5 | 10.8 | 10.8 | 3.9±0.5 | 1.2 | 5.0 | 0.9±0.3 | 0 ^{+0.3} _{-0.1} | 1.0 | |
| FCS0V474ZFTBR24 | 3.5 | 0.47 | 50 | 0.42 | — | 10.7 | 8.5 | 10.8 | 10.8 | 3.9±0.5 | 1.2 | 5.0 | 0.9±0.3 | 0 ^{+0.3} _{-0.1} | 1.4 | |



- All specifications in this catalog and production status of products are subject to change without notice. Prior to the purchase, please contact NEC TOKIN for updated product data.
- Please request for a specification sheet for detailed product data prior to the purchase.
- Before using the product in this catalog, please read "Precautions" and other safety precautions listed in the printed version catalog.

Precautions for use

- This series is exclusively for reflow soldering. It is designed for thermal conduction system such as combination use of infrared ray and heat blow. Consult with NEC TOKIN before applying other methods.
- The reflow condition must be kept within reflow profile graphs shown below.
- Applying reflow soldering is limited to 2 times. After the first reflow, cool down the capacitor thoroughly to 5-35°C before the second reflow.

Always consult with NEC TOKIN when applying reflow soldering in a more severe condition than the condition described here.

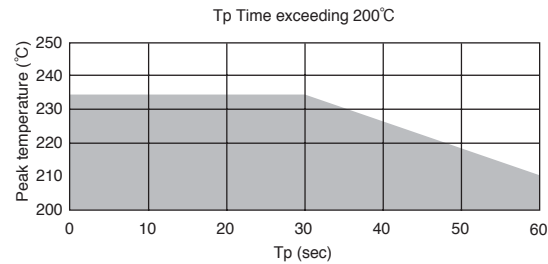
• FCS Type



• Above "Reflow Profile" graph indicates temperature at the terminals and capacitor top.

| | |
|---|---------------|
| Peak temperature | Below 260 °C |
| Over 255 °C | Within 10sec. |
| Over 230 °C | Within 45sec. |
| Over 220 °C | Within 60sec. |
| Over 217 °C | Within 70sec. |
| Time between 150 °C to 200 °C (temperature zone over 170 °C =within 50sec.) | 150sec. |

• FC, FCH Type



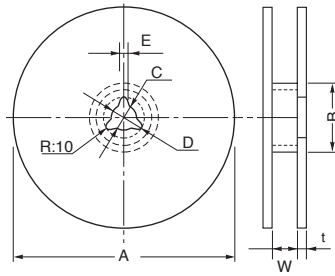
• Above "Reflow Profile" graph indicates temperature at the terminals and capacitor top.



- All specifications in this catalog and production status of products are subject to change without notice. Prior to the purchase, please contact NEC TOKIN for updated product data.
- Please request for a specification sheet for detailed product data prior to the purchase.
- Before using the product in this catalog, please read "Precautions" and other safety precautions listed in the printed version catalog.

Tape and Reel Dimensions

[Reel Dimensions]

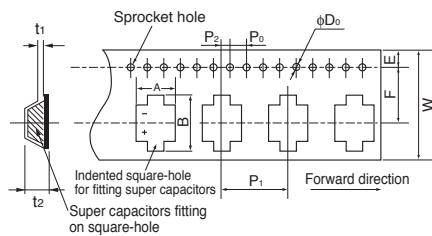


(mm)

| Mark | TBR16 | TBR24 | | TBR32 | TBR44 |
|------|----------|----------------------|----------|----------|----------|
| A | 380±2 | 380±2 | | 330±2 | 380±2 |
| B | 80±1 | Product height 5.5mm | 80±1 | 100±1 | 100±1 |
| | | Product height 8.5mm | 100±1 | | |
| C | 13±0.5 | 13±0.5 | | 13±0.5 | 13±0.5 |
| D | 21±0.8 | 21±0.8 | | 21±0.8 | 21±0.8 |
| E | 2±0.5 | 2±0.5 | | 2±0.5 | 2±0.5 |
| W | 17.5±1.0 | Product height 5.5mm | 25.5±0.5 | 33.5±1.0 | 45.5±1.0 |
| | | Product height 8.5mm | 25.5±1.0 | | |
| t | 2.0 | 2.0 | | 2.0 | 2.0 |

Dimensions of indented [square-hole plastic tape]

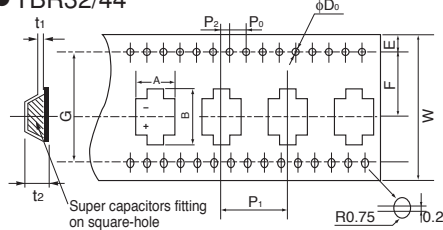
● TBR16/24



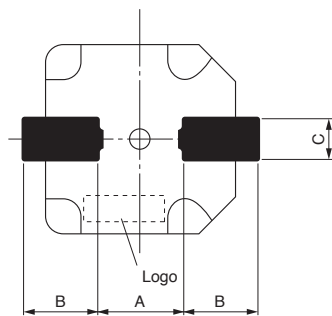
(mm)

| Mark | TBR16 | TBR24 | TBR32 | TBR44 | |
|------------|-------|----------------------|-------|-------|------|
| W | 16.0 | 24.0 | 32.0 | 44.0 | |
| A | 7.2 | 11.4 | 18.0 | 23.0 | |
| B | 9.0 | 13.0 | 20.0 | 25.0 | |
| P_0 | 4.0 | 4.0 | 4.0 | 4.0 | |
| P_1 | 12.0 | 16.0 | 24.0 | 32.0 | |
| P_2 | 2.0 | 2.0 | 2.0 | 2.0 | |
| F | 7.5 | 11.5 | 14.2 | 20.2 | |
| ϕD_0 | 1.55 | 1.55 | 1.55 | 1.55 | |
| t_1 | 0.4 | 0.4 | 0.5 | 0.5 | |
| E | 1.75 | 1.75 | 1.75 | 1.75 | |
| t_2 | 5.0 | Product height 5.5mm | 6.0 | 10.0 | 12.0 |
| | | Product height 8.5mm | 8.4 | | |
| G | - | - | 28.4 | 40.4 | |

● TBR32/44



Recommended land pattern



Land pattern

(mm)

| Part Number | A | B | C |
|-------------------|------|------|-----|
| FC0H473ZFTBR24 | 5.0 | 4.6 | 2.5 |
| FC0H104ZFTBR24 | 5.0 | 4.6 | 2.5 |
| FC0H224ZFTBR24 | 5.0 | 4.6 | 2.5 |
| FC0H474ZFTBR32-SS | 5.0 | 10.0 | 2.5 |
| FC0H105ZFTBR44-SS | 10.0 | 10.5 | 3.5 |
| FC0V104ZFTBR24 | 5.0 | 4.6 | 2.5 |
| FC0V224ZFTBR24 | 5.0 | 4.6 | 2.5 |
| FC0V474ZFTBR24 | 5.0 | 4.6 | 2.5 |
| FCH0V683ZFTBR16 | 2.5 | 4.0 | 1.4 |
| FCH0H433ZFTBR16 | 2.5 | 4.0 | 1.4 |
| FCS0H473ZFTBR24 | 5.0 | 4.9 | 2.5 |
| FCS0H104ZFTBR24 | 5.0 | 4.9 | 2.5 |
| FCS0H224ZFTBR24 | 5.0 | 4.9 | 2.5 |
| FCS0V104ZFTBR24 | 5.0 | 4.9 | 2.5 |
| FCS0V224ZFTBR24 | 5.0 | 4.9 | 2.5 |
| FCS0V474ZFTBR24 | 5.0 | 4.9 | 2.5 |

Lead terminal

(mm)

| Part Number | A | B | C |
|-------------------|------|-----|-----|
| FC0H473ZFTBR24 | 5.0 | 3.6 | 1.2 |
| FC0H104ZFTBR24 | 5.0 | 3.6 | 1.2 |
| FC0H224ZFTBR24 | 5.0 | 3.6 | 1.2 |
| FC0H474ZFTBR32-SS | 5.0 | 6.8 | 1.2 |
| FC0H105ZFTBR44-SS | 10.0 | 7.0 | 1.4 |
| FC0V104ZFTBR24 | 5.0 | 3.6 | 1.2 |
| FC0V224ZFTBR24 | 5.0 | 3.6 | 1.2 |
| FC0V474ZFTBR24 | 5.0 | 3.6 | 1.2 |
| FCH0V683ZFTBR16 | 2.5 | 2.9 | 0.7 |
| FCH0H433ZFTBR16 | 2.5 | 2.9 | 0.7 |
| FCS0H473ZFTBR24 | 5.0 | 3.9 | 1.2 |
| FCS0H104ZFTBR24 | 5.0 | 3.9 | 1.2 |
| FCS0H224ZFTBR24 | 5.0 | 3.9 | 1.2 |
| FCS0V104ZFTBR24 | 5.0 | 3.9 | 1.2 |
| FCS0V224ZFTBR24 | 5.0 | 3.9 | 1.2 |
| FCS0V474ZFTBR24 | 5.0 | 3.9 | 1.2 |



- All specifications in this catalog and production status of products are subject to change without notice. Prior to the purchase, please contact NEC TOKIN for updated product data.
- Please request for a specification sheet for detailed product data prior to the purchase.
- Before using the product in this catalog, please read "Precautions" and other safety precautions listed in the printed version catalog.

Specifications

| Item | Series name | | FC | | Test conditions (conforming to JIS C 5160-1) |
|--|----------------------------|---------------------------------------|--|--|--|
| | | | 5.5V type, 3.5V type | | |
| Category temperature range | | | -25°C to +70°C | | |
| MAX operating voltage | | | 5.5Vdc, 3.5Vdc | | |
| Capacitance | | | Refer to standard ratings | | Refer to "Measurement Conditions" |
| Capacitance allowance | | | +80%, -20% | | Refer to "Measurement Conditions" |
| ESR | | | Refer to standard ratings | | Measured at 1kHz, 10mA; See also "Measurement Conditions" |
| Current (30-minutes value) | | | Refer to standard ratings | | Refer to "Measurement Conditions" |
| * Surge | Capacitance | | | More than 90% of initial ratings | Surge voltage : 4.0V (3.5V type, 3.6V type) : 6.3V (5.5V type) Charge : 30 sec. Discharge : 9min 30sec. Number of cycles : 1000 Series resistance : 0.043F, 0.047F 300Ω : 0.068F 240Ω : 0.10F 150Ω : 0.22F 56Ω : 0.47F 30Ω : 1.0F 15Ω Discharge resistance : 0Ω Temperature : 70±2°C |
| | ESR | | | Not to exceed 120% of initial ratings | |
| | Current (30 minutes value) | | | Not to exceed 120% of initial ratings | |
| | Appearance | | | No obvious abnormality | |
| * Characteristics in different temperature | Capacitance | Phase 2 | 50% higher than initial value | | Conforms to 4.17 Phase1 : +25±2°C Phase2 : -25±2°C Phase4 : +25±2°C Phase5 : +70±2°C Phase6 : +25±2°C |
| | ESR | | 400% or less than initial value | | |
| | Capacitance | Phase 3 | | | |
| | ESR | | | | |
| | Capacitance | Phase 5 | 200% or less than initial value | | |
| | ESR | | Satisfy initial ratings | | |
| | Current (30 minutes value) | | | 1.5CV (mA) or below | |
| | Capacitance | Phase 6 | Within ±20% of initial value | | |
| | ESR | | Satisfy initial ratings | | |
| Current (30 minutes value) | Satisfy initial ratings | | | | |
| * Vibration resistance | Capacitance | | | Conforms to 4.13 Frequency : 10 to 55 Hz Testing time : 6 hours | |
| | ESR | Satisfy initial ratings | | | |
| | Current (30 minutes value) | | | | |
| | Appearance | No obvious abnormality | | | |
| * Solder heat resistance | Capacitance | | | Cooled down to ambient temperature after reflow soldering, then the product must fulfill the condition stated left. (See page 10 for reflow condition) | |
| | ESR | Satisfy initial ratings | | | |
| | Current (30 minutes value) | | | | |
| | Appearance | No obvious abnormality | | | |
| * Temperature cycle | Capacitance | | | Conforms to 4.12 Temperature condition : -25°C→Room temperature→ +70°C→Room temperature Number of cycles : 5 Cycles | |
| | ESR | Satisfy initial ratings | | | |
| | Current (30 minutes value) | | | | |
| | Appearance | No obvious abnormality | | | |
| * High temp. and high humidity resistance | Capacitance | Within ±20% of initial value | | Conforms to 4.14 Temperature : 40±2°C Relative humidity : 90 to 95 %RH Testing time : 240±8 hours | |
| | ESR | Not to exceed 120% of initial ratings | | | |
| | Current (30 minutes value) | Not to exceed 120% of initial ratings | | | |
| | Appearance | No obvious abnormality | | | |
| * High temperature load | Capacitance | Within ±30% of initial value | | Conforms to 4.15 Voltage applied : MAX operating voltage Series protection resistance : 0Ω Testing time : 1000*Hours | |
| | ESR | Below 200% of initial ratings | | | |
| | Current (30 minutes value) | Below 200% of initial ratings | | | |
| | Appearance | No obvious abnormality | | | |
| * Self discharge characteristics (voltage holding characteristics) | | | 5.5V type: Voltage between terminal leads higher than 4.2V | Charging condition | Voltage applied : 5.0Vdc (Terminal at the case's side be negative) Series resistance : 0Ω Charging time : 24 hours |
| | | | 3.5V type: Not specified | Storage | Let stand for 24 hours in condition described below with terminals opened. Ambient temperature : Lower than 25°C Relative humidity : Lower than 70%RH |

As for items with "***", it must fulfill the above condition after the reflow soldering. (See page 10 for reflow conditions)

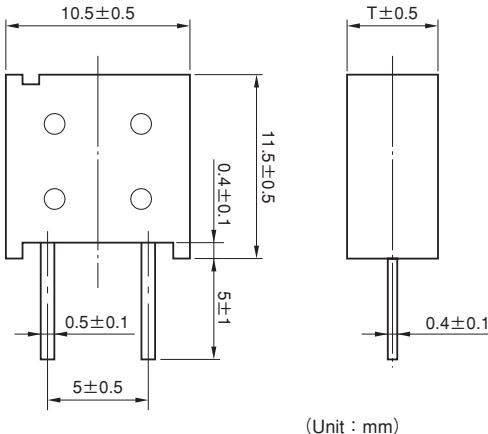
12 Super Capacitors Vol.12



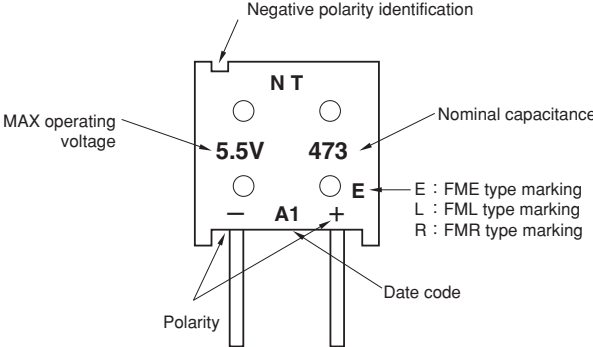
- All specifications in this catalog and production status of products are subject to change without notice. Prior to the purchase, please contact NEC TOKIN for updated product data.
- Please request for a specification sheet for detailed product data prior to the purchase.
- Before using the product in this catalog, please read "Precautions" and other safety precautions listed in the printed version catalog.

6.2 FM Series

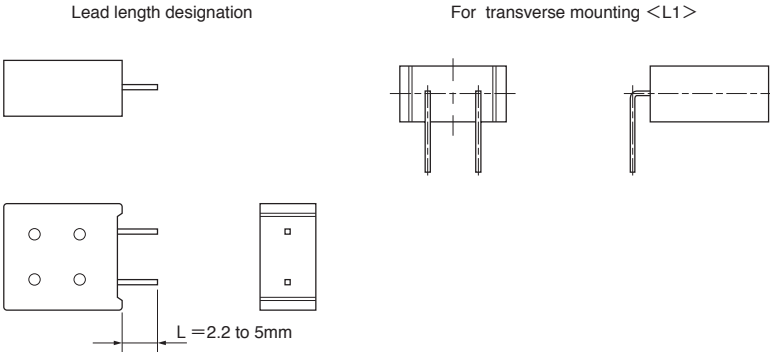
Dimensions



Markings



Lead terminal forming example



- All specifications in this catalog and production status of products are subject to change without notice. Prior to the purchase, please contact NEC TOKIN for updated product data.
- Please request for a specification sheet for detailed product data prior to the purchase.
- Before using the product in this catalog, please read "Precautions" and other safety precautions listed in the printed version catalog.

Specifications

● 5.5V Type

| Part Number | | MAX operating voltage (Vdc) | Nominal capacitance | | MAX ESR (at 1 kHz) (Ω) | MAX current at 30 min. (mA) | Voltage holding characteristics (V) | T (mm) | Weight (g) |
|-------------|-----------------|-----------------------------|---------------------|---------------------|------------------------|-----------------------------|-------------------------------------|--------|------------|
| Bulk | Ammo pack | | Charge system(F) | Discharge system(F) | | | | | |
| FM0H103ZF | FM0H103ZFTP () | 5.5 | 0.01 | 0.014 | 300 | 0.015 | 4.2 | 5.0 | 1.3 |
| FM0H223ZF | FM0H223ZFTP () | 5.5 | 0.022 | 0.028 | 200 | 0.033 | 4.2 | 5.0 | 1.3 |
| FM0H473ZF | FM0H473ZFTP () | 5.5 | 0.047 | 0.06 | 200 | 0.071 | 4.2 | 5.0 | 1.3 |
| FM0H104ZF | FM0H104ZFTP () | 5.5 | 0.10 | 0.13 | 100 | 0.15 | 4.2 | 6.5 | 1.6 |
| FM0H224ZF | FM0H224ZFTP () | 5.5 | — | 0.22 | 100 | 0.33 | 4.2 | 6.5 | 1.6 |

To complete the part number, insert lead length (16mm or 18mm) in to the "()"

● 3.5V Type

| Part Number | | MAX operating voltage (Vdc) | Nominal capacitance | | MAX ESR (at 1 kHz) (Ω) | MAX current at 30 min. (mA) | T (mm) | Weight (g) |
|-------------|-----------------|-----------------------------|---------------------|---------------------|------------------------|-----------------------------|--------|------------|
| Bulk | Ammo pack | | Charge system(F) | Discharge system(F) | | | | |
| FM0V473ZF | FM0V473ZFTP () | 3.5 | 0.047 | 0.06 | 200 | 0.042 | 5.0 | 1.3 |
| FM0V104ZF | FM0V104ZFTP () | 3.5 | 0.10 | 0.13 | 100 | 0.090 | 5.0 | 1.3 |
| FM0V224ZF | FM0V224ZFTP () | 3.5 | 0.22 | 0.30 | 100 | 0.20 | 6.5 | 1.6 |

To complete the part number, insert lead length (16mm or 18mm) in to the "()"

● 6.5V Type

| Part Number | | MAX operating voltage (Vdc) | Nominal capacitance | | MAX ESR (at 1 kHz) (Ω) | MAX current at 30 min. (mA) | T (mm) | Weight (g) |
|-------------|-----------------|-----------------------------|---------------------|---------------------|------------------------|-----------------------------|--------|------------|
| Bulk | Ammo pack | | Charge system(F) | Discharge system(F) | | | | |
| FM0J473ZF | FM0J473ZFTP () | 6.5 | 0.047 | 0.062 | 200 | 0.071 | 6.5 | 1.6 |

To complete the part number, insert lead length (16mm or 18mm) in to the "()"

● FME, FML Type (Backup Large Current, mA Order)

| Part Number | | MAX operating voltage (Vdc) | Nominal capacitance | | MAX ESR (at 1 kHz) (Ω) | MAX current at 30 min. (mA) | T (mm) | Weight (g) |
|-------------|------------------|-----------------------------|---------------------|---------------------|------------------------|-----------------------------|--------|------------|
| Bulk | Ammo pack | | Charge system(F) | Discharge system(F) | | | | |
| FME0H223ZF | FME0H223ZFTP () | 5.5 | 0.022 | 0.028 | 40 | 0.033 | 5.0 | 1.3 |
| FME0H473ZF | FME0H473ZFTP () | 5.5 | 0.047 | 0.06 | 20 | 0.071 | 5.0 | 1.3 |
| FML0H333ZF | FML0H333ZFTP () | 5.5 | | 0.033 | 6.5 | 0.050 | 5.0 | 1.3 |

To complete the part number, insert lead length (16mm or 18mm) in to the "()"

● FMR Type (MAX Operating Temperature 85°C Type)

| Part Number | | MAX operating voltage (Vdc) | Nominal capacitance | | MAX ESR (at 1 kHz) (Ω) | MAX current at 30 min. (mA) | Voltage holding characteristics (V) | T (mm) | Weight (g) |
|-------------|------------------|-----------------------------|---------------------|---------------------|------------------------|-----------------------------|-------------------------------------|--------|------------|
| Bulk | Ammo pack | | Charge system(F) | Discharge system(F) | | | | | |
| FMR0H473ZF | FMR0H473ZFTP () | 5.5 | 0.047 | 0.062 | 200 | 0.071 | 4.2 | 6.5 | 1.6 |
| FMR0H104ZF | FMR0H104ZFTP () | 5.5 | 0.10 | | 50 | 0.15 | 4.2 | 6.5 | 1.6 |
| FMR0V104ZF | FMR0V104ZFTP () | 3.5 | 0.10 | | 50 | 0.090 | — | 6.5 | 1.6 |

To complete the part number, insert lead length (16mm or 18mm) in to the "()"

14 Super Capacitors Vol.12



- All specifications in this catalog and production status of products are subject to change without notice. Prior to the purchase, please contact NEC TOKIN for updated product data.
- Please request for a specification sheet for detailed product data prior to the purchase.
- Before using the product in this catalog, please read "Precautions" and other safety precautions listed in the printed version catalog.

● FMC Type

Chip parts applicable to treatment in bond hardening furnace ($160 \pm 5^\circ\text{C}$ for 120 ± 10 seconds)

Dimensions



Markings



Specifications

| Part Number | | MAX operating voltage (Vdc) | Nominal capacitance | | MAX ESR (at 1 kHz) (Ω) | MAX current at 30 min. (mA) | Voltage holding characteristics (V) | a (mm) | b (mm) | T (mm) | d ₁ (mm) | d ₂ (mm) | Weight (g) |
|-------------|------------------|-----------------------------|---------------------|---------------------|---------------------------------|-----------------------------|-------------------------------------|--------|--------|--------|---------------------|---------------------|------------|
| Bulk | Ammo pack | | Charge system(F) | Discharge system(F) | | | | | | | | | |
| FMC0H473ZF | FMC0H473ZFTP () | 5.5 | 0.047 | 0.06 | 100 | 0.071 | 4.2 | 11.5 | 10.5 | 5.0 | 0.5 | 0.4 | 1.3 |
| FMC0H104ZF | FMC0H104ZFTP () | 5.5 | 0.10 | 0.13 | 50 | 0.15 | 4.2 | 11.5 | 10.5 | 6.5 | 0.5 | 0.4 | 1.6 |
| FMC0H334ZF | FMC0H334ZFTP () | 5.5 | — | 0.33 | 25 | 0.50 | 4.2 | 15.0 | 14.0 | 9.0 | 0.6 | 0.6 | 3.5 |

To complete the part number, insert lead length (16mm or 18mm) in to the "()"



- All specifications in this catalog and production status of products are subject to change without notice. Prior to the purchase, please contact NEC TOKIN for updated product data.
- Please request for a specification sheet for detailed product data prior to the purchase.
- Before using the product in this catalog, please read "Precautions" and other safety precautions listed in the printed version catalog.

Taping Specification [except FMC0H334ZFTP()]



(Unit : mm)

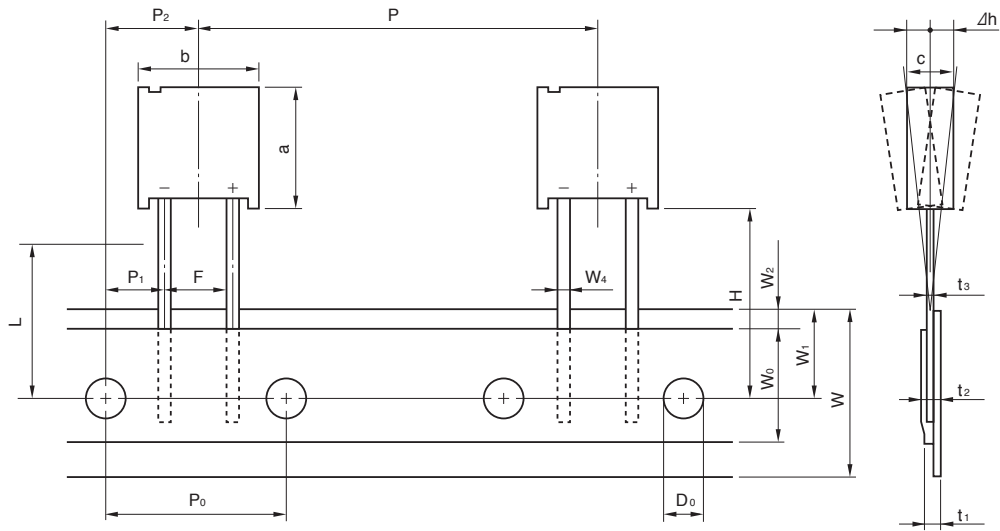
| Item | Symbol | Value | Tolerance | Remarks |
|-----------------------------------|------------|------------|--------------|---|
| Component Height | a | 11.5 | ± 0.5 | |
| Component Width | b | 10.5 | ± 0.5 | |
| Component Thickness | c | — | ± 0.5 | 5.5 V type : 5.0/0.010F to 0.047F, 6.5/0.047F 3.5 V type : 5.0/0.047F to 0.10F, 6.5/0.22F FME type : 5.0/0.022F to 0.047F FML type : 5.0/0.033F 6.5 V type : 6.5/0.047F, 0.10F FMR type : 6.5/0.047F FMC type : 5.0/0.047F, 6.5/0.10F |
| Lead-wire Width | W_4 | 0.5 | ± 0.1 | |
| Lead-wire Thickness | t_3 | 0.4 | ± 0.1 | |
| Pitch between Component | P | 12.7 | ± 1.0 | |
| Sprocket Hole Pitch | P_0 | 12.7 | ± 0.3 | |
| Sprocket Hole to Lead | P_1 | 3.85 | ± 0.7 | |
| ∕ | P_2 | 6.35 | ± 1.3 | |
| Lead Spacing | F | 5.0 | ± 0.5 | |
| Component Alignment | Δh | 2.0 Max. | — | Including tilting caused by bending lead wire. |
| Tape Width | W | 18.0 | +1.0 -0.5 | |
| Hold-down tape Width | W_0 | 12.5 Min. | — | |
| Sprocket Hole Position | W_1 | 9.0 | ± 0.5 | |
| Hold-down Tape Position | W_2 | 3.0 Max. | — | No protrusion of tape. |
| Component's Bottom Line Position | H | 16.0 | ± 0.5 | |
| ∕ | | 18.0 | ± 0.5 | |
| Sprocket Hole Diameter | D_0 | $\phi 4.0$ | ± 0.2 | |
| Total tape Thickness | t_1 | 0.7 | ± 0.2 | |
| ∕ | t_2 | 1.5 Max. | — | |
| Defect Component Cut-off Position | L | 11.0 Max. | — | |

16 Super Capacitors Vol.12



- All specifications in this catalog and production status of products are subject to change without notice. Prior to the purchase, please contact NEC TOKIN for updated product data.
- Please request for a specification sheet for detailed product data prior to the purchase.
- Before using the product in this catalog, please read "Precautions" and other safety precautions listed in the printed version catalog.

Taping Specification [except FMC0H334ZFTP ()]



(Unit : mm)

| Item | Symbol | Value | Tolerance | Remarks |
|-----------------------------------|----------------|-----------|--------------|---|
| Component Height | a | 15.0 | ±0.5 | |
| Component Width | b | 14.0 | ±0.5 | |
| Component Thickness | c | 9.0 | ±0.5 | |
| Lead-wire Width | W ₄ | 0.6 | ±0.1 | |
| Lead-wire Thickness | t ₃ | 0.6 | ±0.1 | |
| Pitch between Component | P | 25.4 | ±1.0 | |
| Sprocket Hole Pitch | P ₀ | 12.7 | ±0.3 | |
| Sprocket Hole to Lead | P ₁ | 3.85 | ±0.7 | |
| ∕ | P ₂ | 6.35 | ±1.3 | |
| Lead Spacing | F | 5.0 | ±0.5 | |
| Component Alignment | Δh | 2.0 Max. | — | Including tilting caused by bending lead wire |
| Tape Width | W | 18.0 | +1.0 -0.5 | |
| Hold-down tape Width | W ₀ | 12.5 Min. | — | |
| Sprocket Hole Position | W ₁ | 9.0 | ±0.5 | |
| Hold-down Tape Position | W ₂ | 3.0 Max. | — | No protrusion of tape |
| Component's Bottom Line Position | H | 16.0 | ±0.5 | |
| ∕ | | 18.0 | ±0.5 | |
| Sprocket Hole Diameter | D ₀ | φ 4.0 | ±0.2 | |
| Total tape Thickness | t ₁ | 0.67 | ±0.2 | |
| ∕ | t ₂ | 1.7 Max. | — | |
| Defect Component Cut-off Position | L | 11.0 Max. | — | |



- All specifications in this catalog and production status of products are subject to change without notice. Prior to the purchase, please contact NEC TOKIN for updated product data.
- Please request for a specification sheet for detailed product data prior to the purchase.
- Before using the product in this catalog, please read "Precautions" and other safety precautions listed in the printed version catalog.

Specifications

| Series name | | 5.5V type, 3.5V type, 6.5V type FMC type | FML, FME type | Test conditions (conforming to JIS C 5160-1) | |
|--|----------------------------|--|--|--|---|
| Category temperature range | | -25°C to +70°C | -25°C to +70°C | | |
| MAX operating voltage | | 5.5Vdc, 3.5Vdc, 6.5Vdc | 5.5Vdc | | |
| Capacitance | | 5.5V : 0.010F to 0.33F 3.5V : 0.047F to 0.22F 6.5V : 0.047 | 0.022F, 0.033F, 0.047F | Refer to "Measurement Conditions" | |
| Capacitance allowance | | +80%, -20% | +80%, -20% | Refer to "Measurement Conditions" | |
| ESR | | Refer to standard ratings | Refer to standard ratings | Measured at 1kHz, 10mA ; See also "Measurement Conditions" | |
| Current (30-minutes value) | | Refer to standard ratings | Refer to standard ratings | Refer to "Measurement Conditions" | |
| Surge | Capacitance | More than 90% of initial ratings | More than 90% of initial ratings | Surge voltage : 4.0V (3.5V type) : 6.3V (5.5V type) : 7.4V (6.5V type) Charge : 30 sec. Discharge : 9min 30sec. Number of cycles : 1000 Series resistance : 0.010F 1500 Ω : 0.022F 560 Ω : 0.033F 510 Ω : 0.047F 300 Ω : 0.068F 240 Ω : 0.10F 150 Ω : 0.22F 56 Ω : 0.33F 51 Ω Discharge resistance : 0 Ω Temperature : 70±2°C | |
| | ESR | Not to exceed 120% of initial ratings | Not to exceed 120% of initial ratings | | |
| | Current (30 minutes value) | Not to exceed 120% of initial ratings | Not to exceed 120% of initial ratings | | |
| | Appearance | No obvious abnormality | No obvious abnormality | | |
| Characteristics in different temperature | Capacitance | Phase 2 50% or higher than initial value | Phase 2 50% or higher than initial value | Conforms to 4.17 Phase1 : +25±2°C Phase2 : -25±2°C Phase4 : +25±2°C Phase5 : +70±2°C Phase6 : +25±2°C | |
| | ESR | 400% or less than initial value | 400% or less than initial value | | |
| | Capacitance | Phase 3 | Phase 3 | | |
| | ESR | | | | |
| | Capacitance | Phase 5 200% or less than initial value | Phase 5 200% or less than initial value | | |
| | ESR | Satisfy initial ratings | Satisfy initial ratings | | |
| | Current (30 minutes value) | 1.5CV (mA) or below | 1.5CV (mA) or below | | |
| | Capacitance | Within ±20% of initial value | Within ±20% of initial value | | |
| | ESR | Phase 6 Satisfy initial ratings | Phase 6 Satisfy initial ratings | | |
| Current (30 minutes value) | Satisfy initial ratings | Satisfy initial ratings | | | |
| Lead strength (tensile) | | No terminal damage | No terminal damage | Conforms to 4.9 | |
| Vibration resistance | Capacitance | Satisfy initial ratings | Satisfy initial ratings | Conforms to 4.13 Frequency : 10 to 55 Hz Testing time : 6 hours | |
| | ESR | | | | |
| | Current (30 minutes value) | | | | |
| | Appearance | | | | No obvious abnormality |
| Solderability | | Over 3/4 of the terminal should be covered by the new solder | Over 3/4 of the terminal should be covered by the new solder | Conforms to 4.11 Solder temp : 245±5°C Dipping time : 5±0.5 sec. 1.6mm from the bottom should be dipped. | |
| Solder heat resistance | Capacitance | Satisfy initial ratings | Satisfy initial ratings | Conforms to 4.10 Solder temp : 260±10°C Dipping time : 10±1 sec. 1.6mm from the bottom should be dipped. | |
| | ESR | | | | |
| | Current (30 minutes value) | | | | |
| | Appearance | | | | No obvious abnormality |
| Temperature cycle | Capacitance | Satisfy initial ratings | Satisfy initial ratings | Conforms to 4.12 Temperature condition : -25°C → Room temperature → +70°C → Room temperature Number of cycles : 5 Cycles | |
| | ESR | | | | |
| | Current (30 minutes value) | | | | |
| | Appearance | | | | No obvious abnormality |
| High temp. and high humidity resistance | Capacitance | Within ±20% of initial value | Within ±20% of initial value | Conforms to 4.14 Temperature : 40±2°C Relative humidity : 90 to 95 %RH Testing time : 240±8 hours | |
| | ESR | Not to exceed 120% of initial ratings | Not to exceed 120% of initial ratings | | |
| | Current (30 minutes value) | Not to exceed 120% of initial ratings | Not to exceed 120% of initial ratings | | |
| | Appearance | No obvious abnormality | No obvious abnormality | | |
| High temperature load | Capacitance | Within ±30% of initial value | Within ±30% of initial value | Conforms to 4.15 Temperature : 70±2°C Voltage applied : MAX operating voltage Series protection resistance : 0 Ω Testing time : 1000 ^h Hours | |
| | ESR | Below 200% of initial ratings | Below 200% of initial ratings | | |
| | Current (30 minutes value) | Below 200% of initial ratings | Below 200% of initial ratings | | |
| | Appearance | No obvious abnormality | No obvious abnormality | | |
| Self discharge characteristics (voltage holding characteristics) | | 5.5V type: Voltage between terminal leads higher than 4.2V 3.5V type: Not specified 6.5V type: Not specified | | Charging condition | Voltage applied : 5.0Vdc (Terminal at the case's side be negative) Series resistance : 0 Ω Charging time : 24 hours |
| | | | | Storage | Let stand for 24 hours in condition described below with terminals opened. Ambient temperature : Lower than 25°C Relative humidity : Lower than 70%RH |

18 Super Capacitors Vol.12



- All specifications in this catalog and production status of products are subject to change without notice. Prior to the purchase, please contact NEC TOKIN for updated product data.
- Please request for a specification sheet for detailed product data prior to the purchase.
- Before using the product in this catalog, please read "Precautions" and other safety precautions listed in the printed version catalog.

Specifications

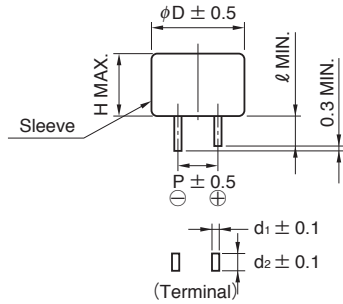
| Series name | | FMR type | | Test conditions (conforming to JIS C 5160-1) | |
|--|----------------------------|--|----------------------------------|---|--|
| Item | | | | | |
| Category temperature range | | -40 °C to +85 °C | | | |
| MAX operating voltage | | 5.5Vdc, 3.5Vdc | | | |
| Capacitance | | 0.047F, 0.10F | | Refer to "Measurement Conditions" | |
| Capacitance allowance | | +80 %, -20 % | | Refer to "Measurement Conditions" | |
| ESR | | Refer to standard ratings | | Measured at 1kHz, 10mA ; See also "Measurement Conditions" | |
| Current (30-minutes value) | | Refer to standard ratings | | Refer to "Measurement Conditions" | |
| Surge | Capacitance | More than 90% of initial ratings | | Surge voltage : 4.0V (3.5V type) : 6.3V (5.5V type) Charge : 30 sec. Discharge : 9min 30sec. Number of cycles : 1000 Series resistance : 0.047F 300Ω : 0.10F 150Ω Discharge resistance : 0Ω Temperature : 85±2 °C | |
| | ESR | Not to exceed 120% of initial ratings | | | |
| | Current (30 minutes value) | Not to exceed 120% of initial ratings | | | |
| | Appearance | No obvious abnormality | | | |
| Characteristics in different temperature | Capacitance | Phase 2 | 50% or higher than initial value | Conforms to 4.17 Phase1 : +25±2 °C Phase2 : -25±2 °C Phase3 : -40±2 °C Phase4 : +25±2 °C Phase5 : +70±2 °C Phase6 : +25±2 °C | |
| | ESR | | 400% or less than initial value | | |
| | Capacitance | Phase 3 | 30% or higher than initial value | | |
| | ESR | | Below 700% of the initial value | | |
| | Capacitance | Phase 5 | 200% or less than initial value | | |
| | ESR | | Satisfy initial ratings | | |
| | Current (30 minutes value) | | 1.5CV (mA) or below | | |
| | Capacitance | Phase 6 | Within ±20% of initial value | | |
| | ESR | | Satisfy initial ratings | | |
| Current (30 minutes value) | Satisfy initial ratings | | | | |
| Lead strength (tensile) | | No terminal damage | | Conforms to 4.9 | |
| Vibration resistance | Capacitance | Satisfy initial ratings | | Conforms to 4.13 Frequency : 10 to 55 Hz Testing time : 6 hours | |
| | ESR | | | | |
| | Current (30 minutes value) | | | | |
| | Appearance | No obvious abnormality | | | |
| Solderability | | Over 3/4 of the terminal should be covered by the new solder | | Conforms to 4.11 Solder temp : 245±5 °C Dipping time : 5±0.5 sec. 1.6mm from the bottom should be dipped. | |
| Solder heat resistance | Capacitance | Satisfy initial ratings | | Conforms to 4.10 Solder temp : 260±10 °C Dipping time : 10±1 sec. 1.6mm from the bottom should be dipped. | |
| | ESR | | | | |
| | Current (30 minutes value) | | | | |
| | Appearance | No obvious abnormality | | | |
| Temperature cycle | Capacitance | Satisfy initial ratings | | Conforms to 4.12 Temperature condition : -40 °C →Room temperature → +85 °C →Room temperature Number of cycles : 5 Cycles | |
| | ESR | | | | |
| | Current (30 minutes value) | | | | |
| | Appearance | No obvious abnormality | | | |
| High temp. and high humidity resistance | Capacitance | Within ±20% of initial value | | Conforms to 4.14 Temperature : 40±2 °C Relative humidity : 90 to 95 %RH Testing time : 240±8 hours | |
| | ESR | Not to exceed 120% of initial ratings | | | |
| | Current (30 minutes value) | Not to exceed 120% of initial ratings | | | |
| | Appearance | No obvious abnormality | | | |
| High temperature load | Capacitance | Within ±30% of initial value | | Conforms to 4.15 Temperature : 85±2 °C Voltage applied : MAX operating voltage Series protection resistance : 0Ω Testing time : 1000 [±] Hours | |
| | ESR | Below 200% of initial ratings | | | |
| | Current (30 minutes value) | Below 200% of initial ratings | | | |
| | Appearance | No obvious abnormality | | | |
| Self discharge characteristics (voltage holding characteristics) | | 5.5V type: Voltage between terminal leads higher than 4.2V 3.5V type: Not specified | | Charging condition | Voltage applied : 5.0Vdc (Terminal at the case's side be negative) Series resistance : 0Ω Charging time : 24 hours |
| | | | | Storage | Let stand for 24 hours in condition described below with terminals opened. Ambient temperature : Lower than 25 °C Relative humidity : Lower than 70%RH |



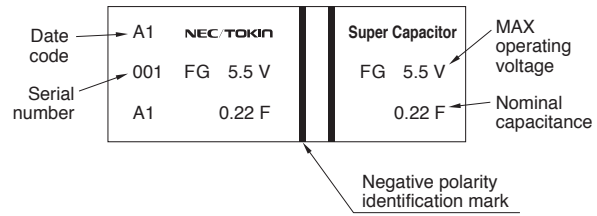
- All specifications in this catalog and production status of products are subject to change without notice. Prior to the purchase, please contact NEC TOKIN for updated product data.
- Please request for a specification sheet for detailed product data prior to the purchase.
- Before using the product in this catalog, please read "Precautions" and other safety precautions listed in the printed version catalog.

6.3 FG Series

Dimensions



Markings on sleeve



● FG Type

Specifications

| Part Number | MAX operating voltage (Vdc) | Nominal capacitance | | MAX ESR (at 1 kHz) (Ω) | MAX current at 30 min. (mA) | Voltage holding characteristics (V) | Dimension (unit:mm) | | | | | | Weight (g) |
|-------------|-----------------------------|---------------------|----------------------|---------------------------------|-----------------------------|-------------------------------------|---------------------|------|-------|-----|-------|-------|------------|
| | | Charge system (F) | Discharge system (F) | | | | ϕD | H | P | l | d_1 | d_2 | |
| FG0H103ZF | 5.5 | 0.010 | 0.013 | 300 | 0.015 | 4.2 | 11.0 | 5.5 | 5.08 | 2.7 | 0.2 | 1.2 | 0.9 |
| FG0H223ZF | 5.5 | 0.022 | 0.028 | 200 | 0.033 | 4.2 | 11.0 | 5.5 | 5.08 | 2.7 | 0.2 | 1.2 | 1.0 |
| FG0H473ZF | 5.5 | 0.047 | 0.060 | 200 | 0.071 | 4.2 | 11.0 | 5.5 | 5.08 | 2.7 | 0.2 | 1.2 | 1.0 |
| FG0H104ZF | 5.5 | 0.10 | 0.13 | 100 | 0.15 | 4.2 | 11.0 | 6.5 | 5.08 | 2.7 | 0.2 | 1.2 | 1.3 |
| FG0H224ZF | 5.5 | 0.22 | 0.28 | 100 | 0.33 | 4.2 | 13.0 | 9.0 | 5.08 | 2.2 | 0.4 | 1.2 | 2.5 |
| FG0H474ZF | 5.5 | 0.47 | 0.60 | 120 | 0.71 | 4.2 | 14.5 | 18.0 | 5.08 | 2.4 | 0.4 | 1.2 | 5.1 |
| FG0H105ZF | 5.5 | 1.0 | 1.3 | 65 | 1.5 | 4.2 | 16.5 | 19.0 | 5.08 | 2.7 | 0.4 | 1.2 | 7.0 |
| FG0H225ZF | 5.5 | 2.2 | 2.8 | 35 | 3.3 | 4.2 | 21.5 | 19.0 | 7.62 | 3.0 | 0.6 | 1.2 | 12.1 |
| FG0H475ZF | 5.5 | 4.7 | 6.0 | 35 | 7.1 | 4.2 | 28.5 | 22.0 | 10.16 | 6.1 | 0.6 | 1.4 | 27.3 |
| FG0V155ZF | 3.5 | 1.5 | 2.2 | 65 | 1.5 | — | 16.5 | 14.0 | 5.08 | 3.1 | 0.4 | 1.2 | 5.2 |

● FGH Type

Specifications

| Part Number | MAX operating voltage (Vdc) | Nominal capacitance | | MAX ESR (at 1 kHz) (Ω) | MAX current at 30 min. (mA) | Voltage holding characteristics (V) | Dimension (unit:mm) | | | | | | Weight (g) |
|-------------|-----------------------------|---------------------|----------------------|---------------------------------|-----------------------------|-------------------------------------|---------------------|-----|------|-----|-------|-------|------------|
| | | Charge system (F) | Discharge system (F) | | | | ϕD | H | P | l | d_1 | d_2 | |
| FGH0H104ZF | 5.5 | — | 0.10 | 100 | 0.15 | 4.2 | 11.0 | 5.5 | 5.08 | 2.7 | 0.2 | 1.2 | 1.0 |
| FGH0H224ZF | 5.5 | — | 0.22 | 100 | 0.33 | 4.2 | 11.0 | 7.0 | 5.08 | 2.7 | 0.2 | 1.2 | 1.3 |
| FGH0H474ZF | 5.5 | — | 0.47 | 65 | 0.71 | 4.2 | 16.5 | 8.0 | 5.08 | 2.7 | 0.4 | 1.2 | 4.1 |
| FGH0H105ZF | 5.5 | — | 1.0 | 35 | 1.5 | 4.2 | 21.5 | 9.5 | 7.62 | 3.0 | 0.6 | 1.2 | 7.2 |

● FGR Type

Specifications

| Part Number | MAX operating voltage (Vdc) | Nominal capacitance | | MAX ESR (at 1 kHz) (Ω) | MAX current at 30 min. (mA) | Voltage holding characteristics (V) | Dimension (unit:mm) | | | | | | Weight (g) |
|-------------|-----------------------------|---------------------|----------------------|---------------------------------|-----------------------------|-------------------------------------|---------------------|------|------|-----|-------|-------|------------|
| | | Charge system (F) | Discharge system (F) | | | | ϕD | H | P | l | d_1 | d_2 | |
| FGR0H474ZF | 5.5 | 0.47 | 0.60 | 120 | 0.71 | 4.2 | 14.5 | 18.0 | 5.08 | 2.4 | 0.4 | 1.2 | 5.1 |
| FGR0H105ZF | 5.5 | 1.0 | 1.3 | 65 | 1.5 | 4.2 | 16.5 | 19.0 | 5.08 | 2.7 | 0.4 | 1.2 | 7.0 |
| FGR0H225ZF | 5.5 | 2.2 | 2.8 | 35 | 3.3 | 4.2 | 21.5 | 19.0 | 7.62 | 3.0 | 0.6 | 1.2 | 12.1 |



- All specifications in this catalog and production status of products are subject to change without notice. Prior to the purchase, please contact NEC TOKIN for updated product data.
- Please request for a specification sheet for detailed product data prior to the purchase.
- Before using the product in this catalog, please read "Precautions" and other safety precautions listed in the printed version catalog.

Specifications

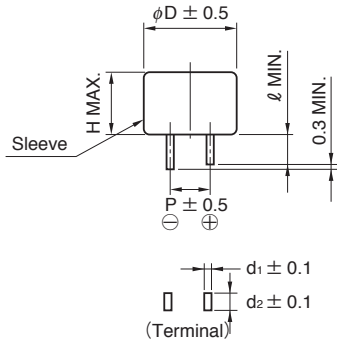
| Series name | | FG, FGH type | | FGR type | | Test conditions (conforming to JIS C 5160-1) | |
|---|----------------------------|--|----------------------------------|--|----------------------------------|--|--|
| Category temperature range | | -25 °C to +70 °C | | -40 °C to +85 °C | | | |
| MAX operating voltage | | 5.5Vdc, 3.5Vdc | | 5.5Vdc | | | |
| Capacitance | | FG : 0.010F to 4.7F FGH : 0.10F to 1.0F | | 0.47F to 2.2F | | Refer to "Measurement Conditions" | |
| Capacitance allowance | | +80 %, -20 % | | +80 %, -20 % | | Refer to "Measurement Conditions" | |
| ESR | | Refer to standard ratings | | Refer to standard ratings | | Measured at 1kHz, 10mA ; See also "Measurement Conditions" | |
| Current (30-minutes value) | | Refer to standard ratings | | Refer to standard ratings | | Refer to "Measurement Conditions" | |
| Surge | Capacitance | More than 90% of initial ratings | | More than 90% of initial ratings | | Surge voltage : 6.3V (5.5V type) : 4.0V(3.5V type) | |
| | ESR | Not to exceed 120% of initial ratings | | Not to exceed 120% of initial ratings | | Charge : 30 sec. | |
| | Current (30 minutes value) | Not to exceed 120% of initial ratings | | Not to exceed 120% of initial ratings | | Discharge : 9min 30sec. Number of cycles : 1000 | |
| | Appearance | No obvious abnormality | | No obvious abnormality | | Series resistance : 0.010F 1500 Ω : 0.022F 560 Ω : 0.047F 300 Ω : 0.10F 150 Ω : 0.22F 56 Ω : 0.47F 30 Ω : 1.0F, 1.5F 15 Ω : 2.2F, 4.7F 10 Ω Discharge resistance : 0 Ω Temperature : 85 ± 2 °C (FGR) : 70 ± 2 °C (FG, FGH) | |
| Characteristics in different temperature | Capacitance | Phase 2 | 50% or higher than initial value | Phase 2 | 50% or higher than initial value | Conforms to 4.17 Phase1 : +25 ± 2 °C Phase2 : -25 ± 2 °C Phase3 : -40 ± 2 °C (FGR) Phase4 : +25 ± 2 °C Phase5 : +70 ± 2 °C (FG, FGH) : +85 ± 2 °C (FGR) Phase6 : +25 ± 2 °C | |
| | ESR | Phase 2 | 400% or less than initial value | Phase 2 | 400% or less than initial value | | |
| | Capacitance | Phase 3 | | Phase 3 | 30% or higher than initial value | | |
| | ESR | Phase 3 | | 700% or less than initial value | | | |
| | Capacitance | Phase 5 | 200% or less than initial value | Phase 5 | 200% or less than initial value | | |
| | ESR | | Satisfy initial ratings | | Satisfy initial ratings | | |
| | Current (30 minutes value) | Phase 5 | 1.5CV (mA) or below | Phase 5 | 1.5CV (mA) or below | | |
| | Capacitance | | Within ±20% of initial value | | Within ±20% of initial value | | |
| ESR | Phase 6 | Satisfy initial ratings | Phase 6 | Satisfy initial ratings | | | |
| Current (30 minutes value) | Phase 6 | Satisfy initial ratings | Phase 6 | Satisfy initial ratings | | | |
| Lead strength (tensile) | | No terminal damage | | No terminal damage | | Conforms to 4.9 | |
| Vibration resistance | Capacitance | Satisfy initial ratings | | Satisfy initial ratings | | Conforms to 4.13 Frequency : 10 to 55 Hz Testing time : 6 hours | |
| | ESR | | | | | | |
| | Current (30 minutes value) | | | | | | |
| | Appearance | No obvious abnormality | | No obvious abnormality | | | |
| Solderability | | Over 3/4 of the terminal should be covered by the new solder | | Over 3/4 of the terminal should be covered by the new solder | | Conforms to 4.11 Solder temp : 245 ± 5 °C Dipping time : 5 ± 0.5 sec. 1.6mm from the bottom should be dipped. | |
| Solder heat resistance | Capacitance | Satisfy initial ratings | | Satisfy initial ratings | | Conforms to 4.10 Solder temp : 260 ± 10 °C Dipping time : 10 ± 1 sec. 1.6mm from the bottom should be dipped. | |
| | ESR | | | | | | |
| | Current (30 minutes value) | | | | | | |
| | Appearance | No obvious abnormality | | No obvious abnormality | | | |
| Temperature cycle | Capacitance | Satisfy initial ratings | | Satisfy initial ratings | | Conforms to 4.12 Temperature condition : Category MIN temp → Room temp → Category MAX temp → Room temp Number of cycles : 5 Cycles | |
| | ESR | | | | | | |
| | Current (30 minutes value) | | | | | | |
| | Appearance | No obvious abnormality | | No obvious abnormality | | | |
| High temp. and high humidity resistance | Capacitance | Within ±20% of initial value | | Within ±20% of initial value | | Conforms to 4.14 Temperature : 40 ± 2 °C Relative humidity : 90 to 95 %RH Testing time : 240 ± 8 hours | |
| | ESR | Not to exceed 120% of initial ratings | | Not to exceed 120% of initial ratings | | | |
| | Current (30 minutes value) | Not to exceed 120% of initial ratings | | Not to exceed 120% of initial ratings | | | |
| | Appearance | No obvious abnormality | | No obvious abnormality | | | |
| High temperature load | Capacitance | Within ±30% of initial value | | Within ±30% of initial value | | Conforms to 4.15 Temp : Category MAX temp ± 2 °C Voltage applied : MAX operating voltage Series protection resistance : 0 Ω Testing time : 1000 ⁴⁸ Hours | |
| | ESR | Below 200% of initial ratings | | Below 200% of initial ratings | | | |
| | Current (30 minutes value) | Below 200% of initial ratings | | Below 200% of initial ratings | | | |
| | Appearance | No obvious abnormality | | No obvious abnormality | | | |
| Self discharge characteristics (voltage holding characteristics) | | 5.5V type: Voltage between terminal leads higher than 4.2V 3.5V type: Not specified | | Voltage between terminal leads higher than 4.2V | | Charging condition | Voltage applied : 5.0Vdc (Terminal at the case's side be negative) Series resistance : 0 Ω Charging time : 24 hours |
| | | | | | | Storage | Let stand for 24 hours in condition described below with terminals opened. Ambient temperature : Lower than 25 °C Relative humidity : Lower than 70%RH |



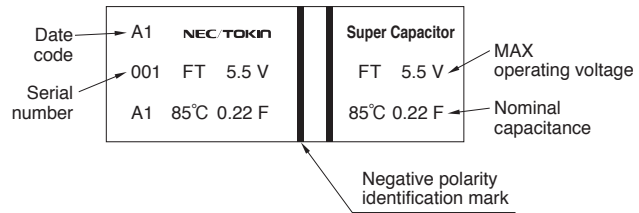
- All specifications in this catalog and production status of products are subject to change without notice. Prior to the purchase, please contact NEC TOKIN for updated product data.
- Please request for a specification sheet for detailed product data prior to the purchase.
- Before using the product in this catalog, please read "Precautions" and other safety precautions listed in the printed version catalog.

6.4 FT Series

Dimensions



Markings on sleeve



Specifications

| Part Number | MAX operating voltage (Vdc) | Nominal capacitance | | MAX ESR (at 1 kHz) (Ω) | MAX current at 30 min. (mA) | Dimension (unit:mm) | | | | | | Weight (g) |
|-------------|-----------------------------|---------------------|----------------------|---------------------------------|-----------------------------|---------------------|------|-------|-------|-------|-----|------------|
| | | Charge system (F) | Discharge system (F) | | | ϕD | H | P | d_1 | d_2 | l | |
| FT0H104ZF | 5.5 | 0.10 | 0.14 | 16 | 0.15 | 11.5 | 8.5 | 5.08 | 0.4 | 1.2 | 2.7 | 1.6 |
| FT0H224ZF | 5.5 | 0.22 | 0.28 | 10 | 0.33 | 14.5 | 12.0 | 5.08 | 0.4 | 1.2 | 2.2 | 4.1 |
| FT0H474ZF | 5.5 | 0.47 | 0.60 | 6.5 | 0.71 | 16.5 | 13.0 | 5.08 | 0.4 | 1.2 | 2.7 | 5.3 |
| FT0H105ZF | 5.5 | 1.0 | 1.3 | 3.5 | 1.5 | 21.5 | 13.0 | 7.62 | 0.6 | 1.2 | 3.0 | 10.0 |
| FT0H225ZF | 5.5 | 2.2 | 2.8 | 1.8 | 3.3 | 28.5 | 14.0 | 10.16 | 0.6 | 1.4 | 6.1 | 18.0 |
| FT0H335ZF | 5.5 | 3.3 | 4.2 | 1.0 | 5.0 | 36.5 | 15.0 | 15.00 | 0.6 | 1.7 | 6.1 | 38.0 |
| FT0H565ZF | 5.5 | 5.6 | 7.2 | 0.6 | 8.4 | 44.5 | 17.0 | 20.00 | 1.0 | 1.4 | 6.1 | 72.0 |



- All specifications in this catalog and production status of products are subject to change without notice. Prior to the purchase, please contact NEC TOKIN for updated product data.
- Please request for a specification sheet for detailed product data prior to the purchase.
- Before using the product in this catalog, please read "Precautions" and other safety precautions listed in the printed version catalog.

Specifications

| Item | Series name | FT type | Test conditions (conforming to JIS C 5160-1) | |
|--|----------------------------|--|---|--|
| Category temperature range | | -40°C to +85°C | | |
| MAX operating voltage | | 5.5Vdc | | |
| Capacitance | | 0.1F to 5.6F | Refer to "Measurement Conditions" | |
| Capacitance allowance | | +80%, -20% | Refer to "Measurement Conditions" | |
| ESR | | Refer to standard ratings | Measured at 1kHz, 10mA ; See also "Measurement Conditions" | |
| Current (30-minutes value) | | Refer to standard ratings | Refer to "Measurement Conditions" | |
| Surge | Capacitance | More than 90% of initial ratings | Surge voltage : 6.3V Charge : 30 sec. Discharge : 9min 30sec. Number of cycles : 1000 Series resistance : 0.10F 150Ω : 0.22F 56Ω : 0.47F 30Ω : 1.0F 15Ω : 2.2F 10Ω : 3.3F 10Ω : 5.6F 10Ω Discharge resistance : 0Ω Temperature : 85±2°C | |
| | ESR | Not to exceed 120% of initial ratings | | |
| | Current (30 minutes value) | Not to exceed 120% of initial ratings | | |
| | Appearance | No obvious abnormality | | |
| | | | | |
| Characteristics in different temperature | Capacitance | Phase 2 | 50% or higher than initial value | Conforms to 4.17 Phase1 : +25±2°C Phase2 : -25±2°C Phase3 : -40±2°C Phase4 : +25±2°C Phase5 : +70±2°C Phase6 : +25±2°C |
| | ESR | | 400% or less than initial value | |
| | Capacitance | Phase 3 | 30% or higher than initial value | |
| | ESR | | 700% or less than initial value | |
| | Capacitance | Phase 5 | 200% or less than initial value | |
| | ESR | | Satisfy initial ratings | |
| | Current (30 minutes value) | 1.5CV (mA) or below | | |
| | Capacitance | Phase 6 | Within ±20% of initial value | |
| | ESR | | Satisfy initial ratings | |
| Current (30 minutes value) | Satisfy initial ratings | | | |
| Lead strength (tensile) | | No terminal damage | Conforms to 4.9 | |
| Vibration resistance | Capacitance | Satisfy initial ratings | Conforms to 4.13 Frequency : 10 to 55 Hz Testing time : 6 hours | |
| | ESR | | | |
| | Current (30 minutes value) | | | |
| | Appearance | | | No obvious abnormality |
| Solderability | | Over 3/4 of the terminal should be covered by the new solder | Conforms to 4.11 Solder temp : 245±5°C Dipping time : 5±0.5 sec. 1.6mm from the bottom should be dipped. | |
| Solder heat resistance | Capacitance | Satisfy initial ratings | Conforms to 4.10 Solder temp : 260±10°C Dipping time : 10±1 sec. 1.6mm from the bottom should be dipped. | |
| | ESR | | | |
| | Current (30 minutes value) | | | |
| | Appearance | | | No obvious abnormality |
| Temperature cycle | Capacitance | Satisfy initial ratings | Conforms to 4.12 Temperature condition : -40°C→Room temperature→ +85°C→Room temperature Number of cycles : 5 Cycles | |
| | ESR | | | |
| | Current (30 minutes value) | | | |
| | Appearance | | | No obvious abnormality |
| High temp. and high humidity resistance | Capacitance | Within ±20% of initial value | Conforms to 4.14 Temperature : 40±2°C Relative humidity : 90 to 95 %RH Testing time : 240±8 hours | |
| | ESR | Not to exceed 120% of initial ratings | | |
| | Current (30 minutes value) | Not to exceed 120% of initial ratings | | |
| | Appearance | No obvious abnormality | | |
| High temperature load | Capacitance | Within ±30% of initial value | Conforms to 4.15 Temperature : 85±2°C Voltage applied : MAX operating voltage Series protection resistance : 0Ω Testing time : 1000 [±] Hours | |
| | ESR | Below 200% of initial ratings | | |
| | Current (30 minutes value) | Below 200% of initial ratings | | |
| | Appearance | No obvious abnormality | | |



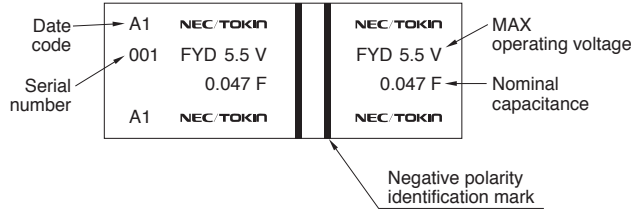
- All specifications in this catalog and production status of products are subject to change without notice. Prior to the purchase, please contact NEC TOKIN for updated product data.
- Please request for a specification sheet for detailed product data prior to the purchase.
- Before using the product in this catalog, please read "Precautions" and other safety precautions listed in the printed version catalog.

6.5 FY Series

Dimensions



Markings on sleeve



● FYD Type

Specifications

| Part Number | MAX operating voltage (Vdc) | Nominal capacitance | | MAX ESR (at 1 kHz) (Ω) | MAX current at 30 min. (mA) | Voltage holding characteristics (V) | Dimension (unit:mm) | | | | | | Weight (g) |
|-------------|-----------------------------|---------------------|----------------------|------------------------|-----------------------------|-------------------------------------|---------------------|------|-------|-----|----------------|----------------|------------|
| | | Charge system (F) | Discharge system (F) | | | | φ D | H | P | ℓ | d ₁ | d ₂ | |
| FYD0H223ZF | 5.5 | 0.022 | 0.033 | 220 | 0.033 | 4.2 | 11.5 | 8.5 | 5.08 | 2.7 | 0.4 | 1.2 | 1.6 |
| FYD0H473ZF | 5.5 | 0.047 | 0.070 | 220 | 0.071 | 4.2 | 11.5 | 8.5 | 5.08 | 2.7 | 0.4 | 1.2 | 1.7 |
| FYD0H104ZF | 5.5 | 0.10 | 0.14 | 100 | 0.15 | 4.2 | 13.0 | 8.5 | 5.08 | 2.2 | 0.4 | 1.2 | 2.4 |
| FYD0H224ZF | 5.5 | 0.22 | 0.35 | 120 | 0.33 | 4.2 | 14.5 | 15.0 | 5.08 | 2.4 | 0.4 | 1.2 | 4.3 |
| FYD0H474ZF | 5.5 | 0.47 | 0.75 | 65 | 0.71 | 4.2 | 16.5 | 15.0 | 5.08 | 2.7 | 0.4 | 1.2 | 6.0 |
| FYD0H105ZF | 5.5 | 1.0 | 1.6 | 35 | 1.5 | 4.2 | 21.5 | 16.0 | 7.62 | 3.0 | 0.6 | 1.2 | 11.0 |
| FYD0H145ZF | 5.5 | 1.4 | 2.1 | 45 | 2.1 | 4.2 | 21.5 | 19.0 | 7.62 | 3.0 | 0.6 | 1.2 | 12.0 |
| FYD0H225ZF | 5.5 | 2.2 | 3.3 | 35 | 3.3 | 4.2 | 28.5 | 22.0 | 10.16 | 6.1 | 0.6 | 1.4 | 22.9 |

● FYH Type

Specifications

| Part Number | MAX operating voltage (Vdc) | Nominal capacitance | | MAX ESR (at 1 kHz) (Ω) | MAX current at 30 min. (mA) | Voltage holding characteristics (V) | Dimension (unit:mm) | | | | | | Weight (g) |
|-------------|-----------------------------|---------------------|----------------------|------------------------|-----------------------------|-------------------------------------|---------------------|------|-------|-----|----------------|----------------|------------|
| | | Charge system (F) | Discharge system (F) | | | | φ D | H | P | ℓ | d ₁ | d ₂ | |
| FYH0H223ZF | 5.5 | 0.022 | 0.033 | 200 | 0.033 | 4.2 | 11.5 | 7.0 | 5.08 | 2.7 | 0.4 | 1.2 | 1.5 |
| FYH0H473ZF | 5.5 | 0.047 | 0.075 | 100 | 0.071 | 4.2 | 13.0 | 7.0 | 5.08 | 2.2 | 0.4 | 1.2 | 2.2 |
| FYH0H104ZF | 5.5 | 0.10 | 0.16 | 50 | 0.15 | 4.2 | 16.5 | 7.5 | 5.08 | 2.7 | 0.4 | 1.2 | 3.4 |
| FYH0H224ZF | 5.5 | 0.22 | 0.30 | 60 | 0.33 | 4.2 | 16.5 | 9.5 | 5.08 | 2.7 | 0.4 | 1.2 | 3.6 |
| FYH0H474ZF | 5.5 | 0.47 | 0.70 | 35 | 0.71 | 4.2 | 21.5 | 10.0 | 7.62 | 3.0 | 0.6 | 1.2 | 7.2 |
| FYH0H105ZF | 5.5 | 1.0 | 1.5 | 20 | 1.5 | 4.2 | 28.5 | 11.0 | 10.16 | 6.1 | 0.6 | 1.4 | 13.9 |

● FGL Type

Specifications

| Part Number | MAX operating voltage (Vdc) | Nominal capacitance | | MAX ESR (at 1 kHz) (Ω) | MAX current at 30 min. (mA) | Voltage holding characteristics (V) | Dimension (unit:mm) | | | | | | Weight (g) |
|-------------|-----------------------------|---------------------|----------------------|------------------------|-----------------------------|-------------------------------------|---------------------|-----|------|-----|----------------|----------------|------------|
| | | Charge system (F) | Discharge system (F) | | | | φ D | H | P | ℓ | d ₁ | d ₂ | |
| FYL0H103ZF | 5.5 | 0.01 | 0.013 | 300 | 0.015 | 4.2 | 11.0 | 5.0 | 5.08 | 2.7 | 0.2 | 1.2 | 0.9 |
| FYL0H223ZF | 5.5 | 0.022 | 0.028 | 200 | 0.033 | 4.2 | 11.0 | 5.0 | 5.08 | 2.7 | 0.2 | 1.2 | 1.0 |
| FYL0H473ZF | 5.5 | 0.047 | 0.061 | 200 | 0.071 | 4.2 | 12.0 | 5.0 | 5.08 | 2.7 | 0.2 | 1.2 | 1.2 |



- All specifications in this catalog and production status of products are subject to change without notice. Prior to the purchase, please contact NEC TOKIN for updated product data.
- Please request for a specification sheet for detailed product data prior to the purchase.
- Before using the product in this catalog, please read "Precautions" and other safety precautions listed in the printed version catalog.

Specifications

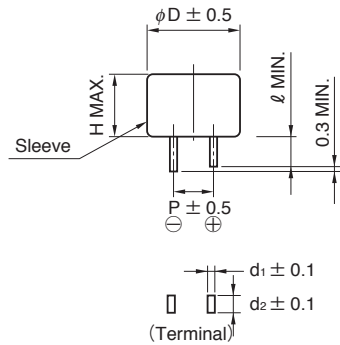
| Item | Series name | FY type (FYD, FYH, FYL) | Test conditions (conforming to JIS C 5160-1) | |
|--|----------------------------|--|--|---|
| Category temperature range | | -25°C to +70°C | | |
| MAX operating voltage | | 5.5Vdc | | |
| Capacitance | | Refer to standard ratings | Refer to "Measurement Conditions" | |
| Capacitance allowance | | +80 %, -20 % | Refer to "Measurement Conditions" | |
| ESR | | FYD : 0.022F to 2.2F FYH : 0.022F to 1.0F FYL : 0.010F to 0.047F | Measured at 1kHz, 10mA ; See also "Measurement Conditions" | |
| Current (30-minutes value) | | Refer to standard ratings | Refer to "Measurement Conditions" | |
| Surge | Capacitance | More than 90% of initial ratings | Surge voltage : 6.3V Charge : 30 sec. Discharge : 9min 30sec. Number of cycles : 1000 Series resistance : 0.010F 1500Ω : 0.022F 560Ω : 0.047F 300Ω : 0.068F 240Ω : 0.10F 150Ω : 0.22F 56Ω : 0.47F 30Ω : 1.0F, 1.4F 15Ω : 2.2F 10Ω Discharge resistance : 0Ω Temperature : 70±2°C | |
| | ESR | Not to exceed 120% of initial ratings | | |
| | Current (30 minutes value) | Not to exceed 120% of initial ratings | | |
| | Appearance | No obvious abnormality | | |
| Characteristics in different temperature | Capacitance | Phase 2 | 50% or higher than initial value | |
| | ESR | | 400% or less than initial value | |
| | Capacitance | Phase 3 | | |
| | ESR | | | |
| | Capacitance | | 200% or less than initial value | |
| | ESR | Phase 5 | Satisfy initial ratings | |
| | Current (30 minutes value) | | 1.5CV (mA) or below | |
| | Capacitance | | Within ±20% of initial value | |
| ESR | Phase 6 | Satisfy initial ratings | Conforms to 4.17 Phase1 : +25±2°C Phase2 : -25±2°C Phase4 : +25±2°C Phase5 : +70±2°C Phase6 : +25±2°C | |
| | Current (30 minutes value) | Satisfy initial ratings | | |
| Lead strength (tensile) | | No terminal damage | Conforms to 4.9 | |
| Vibration resistance | Capacitance | Satisfy initial ratings | Conforms to 4.13 Frequency : 10 to 55 Hz Testing time : 6 hours | |
| | ESR | | | |
| | Current (30 minutes value) | | | |
| | Appearance | | | No obvious abnormality |
| Solderability | | Over 3/4 of the terminal should be covered by the new solder | Conforms to 4.11 Solder temp : 245±5°C Dipping time : 5±0.5 sec. 1.6mm from the bottom should be dipped. | |
| Solder heat resistance | Capacitance | Satisfy initial ratings | Conforms to 4.10 Solder temp : 260±10°C Dipping time : 10±1 sec. 1.6mm from the bottom should be dipped. | |
| | ESR | | | |
| | Current (30 minutes value) | | | |
| | Appearance | | | No obvious abnormality |
| Temperature cycle | Capacitance | Satisfy initial ratings | Conforms to 4.12 Temperature condition : -25°C → Room temperature → +70°C → Room temperature Number of cycles : 5 Cycles | |
| | ESR | | | |
| | Current (30 minutes value) | | | |
| | Appearance | | | No obvious abnormality |
| High temp. and high humidity resistance | Capacitance | Within ±20% of initial value | Conforms to 4.14 Temperature : 40±2°C Relative humidity : 90 to 95 %RH Testing time : 240±8 hours | |
| | ESR | Not to exceed 120% of initial ratings | | |
| | Current (30 minutes value) | Not to exceed 120% of initial ratings | | |
| | Appearance | No obvious abnormality | | |
| High temperature load | Capacitance | Within ±30% of initial value | Conforms to 4.15 Temperature : 70±2°C Voltage applied : MAX operating voltage Series protection resistance : 0Ω Testing time : 1000 [±] Hours | |
| | ESR | Below 200% of initial ratings | | |
| | Current (30 minutes value) | Below 200% of initial ratings | | |
| | Appearance | No obvious abnormality | | |
| Self discharge characteristics (voltage holding characteristics) | | Voltage between terminal leads higher than 4.2V | Charging condition | Voltage applied : 5.0Vdc (Terminal at the case's side be negative) Series resistance : 0Ω Charging time : 24 hours |
| | | | Storage | Let stand for 24 hours in condition described below with terminals opened. Ambient temperature : Lower than 25°C Relative humidity : Lower than 70%RH |



- All specifications in this catalog and production status of products are subject to change without notice. Prior to the purchase, please contact NEC TOKIN for updated product data.
- Please request for a specification sheet for detailed product data prior to the purchase.
- Before using the product in this catalog, please read "Precautions" and other safety precautions listed in the printed version catalog.

6.6 FR Series

Dimensions



Markings on sleeve



Specifications

| Part Number | MAX operating voltage (Vdc) | Nominal capacitance | | MAX ESR (at 1 kHz) (Ω) | MAX current at 30 min. (mA) | Voltage holding characteristics (V) | Dimension (unit:mm) | | | | | | Weight (g) |
|-------------|-----------------------------|---------------------|----------------------|---------------------------------|-----------------------------|-------------------------------------|---------------------|------|------|--------|-------|-------|------------|
| | | Charge system (F) | Discharge system (F) | | | | ϕD | H | P | ℓ | d_1 | d_2 | |
| FR0H223ZF | 5.5 | 0.022 | 0.028 | 220 | 0.033 | 4.2 | 11.5 | 14.0 | 5.08 | 2.7 | 0.4 | 1.2 | 2.3 |
| FR0H473ZF | 5.5 | 0.047 | 0.060 | 110 | 0.071 | 4.2 | 14.5 | 14.0 | 5.08 | 2.4 | 0.4 | 1.2 | 3.9 |
| FR0H104ZF | 5.5 | 0.10 | 0.15 | 150 | 0.15 | 4.2 | 14.5 | 15.5 | 5.08 | 2.4 | 0.4 | 1.2 | 4.3 |
| FR0H224ZF | 5.5 | 0.22 | 0.33 | 180 | 0.33 | 4.2 | 14.5 | 21.0 | 5.08 | 2.4 | 0.4 | 1.2 | 5.3 |
| FR0H474ZF | 5.5 | 0.47 | 0.75 | 100 | 0.71 | 4.2 | 16.5 | 21.5 | 5.08 | 2.7 | 0.4 | 1.2 | 7.5 |
| FR0H105ZF | 5.5 | 1.0 | 1.6 | 60 | 1.5 | 4.2 | 21.5 | 22.0 | 7.62 | 3.0 | 0.6 | 1.2 | 13.3 |



- All specifications in this catalog and production status of products are subject to change without notice. Prior to the purchase, please contact NEC TOKIN for updated product data.
- Please request for a specification sheet for detailed product data prior to the purchase.
- Before using the product in this catalog, please read "Precautions" and other safety precautions listed in the printed version catalog.

Specifications

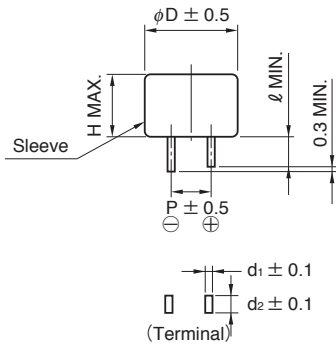
| Series name | | FR type | Test conditions (conforming to JIS C 5160-1) | |
|--|--|--|---|--|
| Item | | | | |
| Category temperature range | | -40 °C to +85 °C | | |
| MAX operating voltage | | 5.5Vdc | | |
| Capacitance | | 0.022F to 1.0F | Refer to "Measurement Conditions" | |
| Capacitance allowance | | +80 %, -20 % | Refer to "Measurement Conditions" | |
| ESR | | Refer to standard ratings | Measured at 1kHz, 10mA ; See also "Measurement Conditions" | |
| Current (30-minutes value) | | Refer to standard ratings | Refer to "Measurement Conditions" | |
| Surge | Capacitance | More than 90% of initial ratings | Surge voltage : 6.3V (5.5V type) Charge : 30 sec. Discharge : 9min 30sec. Number of cycles : 1000 Series resistance : 0.022F 560Ω : 0.047F 300Ω : 0.068F 240Ω : 0.10F 150Ω : 0.22F 56Ω : 0.47F 30Ω : 1.0F 15Ω Discharge resistance : 0Ω Temperature : 70±2 °C | |
| | ESR | Not to exceed 120% of initial ratings | | |
| | Current (30 minutes value) | Not to exceed 120% of initial ratings | | |
| Characteristics in different temperature | Appearance | Phase 2 | 50% or higher than initial value | Conforms to 4.17 Phase1 : +25±2 °C Phase2 : -25±2 °C Phase3 : -40±2 °C Phase4 : +25±2 °C Phase5 : +70±2 °C Phase6 : +25±2 °C |
| | | | 400% or less than initial value | |
| | | Phase 3 | 30% or higher than initial value | |
| | | | 700% or less than initial value | |
| | | Phase 5 | 200% or less than initial value | |
| | | | Satisfy initial ratings | |
| | | Current (30 minutes value) | 1.5CV (mA) or below | |
| | | Capacitance | Within ±20% of initial value | |
| Phase 6 | Satisfy initial ratings | | | |
| | Satisfy initial ratings | | | |
| Lead strength (tensile) | No terminal damage | Conforms to 4.9 | | |
| Vibration resistance | Capacitance | Satisfy initial ratings | Conforms to 4.13 Frequency : 10 to 55 Hz Testing time : 6 hours | |
| | ESR | | | |
| | Current (30 minutes value) | | | |
| | Appearance | No obvious abnormality | | |
| Solderability | Over 3/4 of the terminal should be covered by the new solder | Conforms to 4.11 Solder temp : 245±5 °C Dipping time : 5±0.5 sec. 1.6mm from the bottom should be dipped. | | |
| Solder heat resistance | Capacitance | Satisfy initial ratings | Conforms to 4.10 Solder temp : 260±10 °C Dipping time : 10±1 sec. 1.6mm from the bottom should be dipped. | |
| | ESR | | | |
| | Current (30 minutes value) | | | |
| | Appearance | No obvious abnormality | | |
| Temperature cycle | Capacitance | Satisfy initial ratings | Conforms to 4.12 Temperature condition : -40 °C →Room temperature→ +85 °C →Room temperature Number of cycles : 5 Cycles | |
| | ESR | | | |
| | Current (30 minutes value) | | | |
| | Appearance | No obvious abnormality | | |
| High temp. and high humidity resistance | Capacitance | Within ±20% of initial value | Conforms to 4.14 Temperature : 40±2 °C Relative humidity : 90 to 95 %RH Testing time : 240±8 hours | |
| | ESR | Not to exceed 120% of initial ratings | | |
| | Current (30 minutes value) | Not to exceed 120% of initial ratings | | |
| | Appearance | No obvious abnormality | | |
| High temperature load | Capacitance | Within ±30% of initial value | Conforms to 4.15 Temperature : 85±2 °C Voltage applied : MAX operating voltage Series protection resistance : 0Ω Testing time : 1000 [±] Hours | |
| | ESR | Below 200% of initial ratings | | |
| | Current (30 minutes value) | Below 200% of initial ratings | | |
| | Appearance | No obvious abnormality | | |
| Self discharge characteristics (voltage holding characteristics) | Voltage between terminal leads higher than 4.2V | Charging condition | Voltage applied : 5.0Vdc (Terminal at the case's side be negative) Series resistance : 0Ω Charging time : 24 hours | |
| | | Storage | Let stand for 24 hours in condition described below with terminals opened. Ambient temperature : Lower than 25 °C Relative humidity : Lower than 70%RH | |



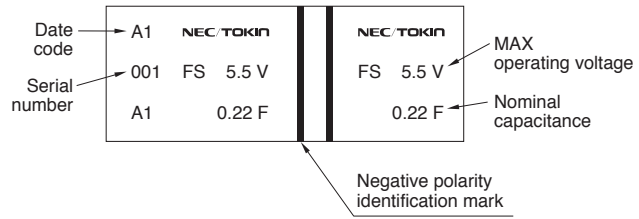
- All specifications in this catalog and production status of products are subject to change without notice. Prior to the purchase, please contact NEC TOKIN for updated product data.
- Please request for a specification sheet for detailed product data prior to the purchase.
- Before using the product in this catalog, please read "Precautions" and other safety precautions listed in the printed version catalog.

6.7 FS Series

Dimensions



Markings on sleeve



Specifications

| Part Number | MAX operating voltage (Vdc) | Nominal capacitance | | MAX ESR (at 1 kHz) (Ω) | MAX current at 30 min. (mA) | Dimension (unit:mm) | | | | | | Weight (g) |
|-------------|-----------------------------|---------------------|----------------------|---------------------------------|-----------------------------|---------------------|------|-------|-----|-------|-------|------------|
| | | Charge system (F) | Discharge system (F) | | | ϕD | H | P | l | d_1 | d_2 | |
| FS0H223ZF | 5.5 | 0.022 | 0.033 | 60.0 | 0.033 | 11.5 | 8.5 | 5.08 | 2.7 | 0.4 | 1.2 | 1.6 |
| FS0H473ZF | 5.5 | 0.047 | 0.072 | 40.0 | 0.071 | 13.0 | 8.5 | 5.08 | 2.2 | 0.4 | 1.2 | 2.6 |
| FS0H104ZF | 5.5 | 0.10 | 0.15 | 25.0 | 0.15 | 16.5 | 8.5 | 5.08 | 2.7 | 0.4 | 1.2 | 4.1 |
| FS0H224ZF | 5.5 | 0.22 | 0.33 | 25.0 | 0.33 | 16.5 | 13.0 | 5.08 | 2.7 | 0.4 | 1.2 | 5.3 |
| FS0H474ZF | 5.5 | 0.47 | 0.75 | 13.0 | 0.71 | 21.5 | 13.0 | 7.62 | 3.0 | 0.6 | 1.2 | 10 |
| FS0H105ZF | 5.5 | 1.0 | 1.3 | 7.0 | 1.5 | 28.5 | 14.0 | 10.16 | 6.1 | 0.6 | 1.4 | 18 |
| FS1A474ZF | 11.0 | 0.47 | 0.60 | 7.0 | 1.41 | 28.5 | 25.5 | 10.16 | 6.1 | 0.6 | 1.4 | 32 |
| FS1A105ZF | 11.0 | 1.0 | 1.3 | 7.0 | 3.0 | 28.5 | 31.5 | 10.16 | 6.1 | 0.6 | 1.4 | 35 |
| FS1B105ZF | 12.0 | 1.0 | 1.3 | 7.5 | 3.6 | 28.5 | 38.0 | 10.16 | 6.1 | 0.6 | 1.4 | 40 |
| FS1B505ZF | 12.0 | 5.0 | 6.5 | 4.0 | 18.0 | 44.8 | 60.0 | 20.00 | 9.5 | 1.0 | 1.4 | 160 |



- All specifications in this catalog and production status of products are subject to change without notice. Prior to the purchase, please contact NEC TOKIN for updated product data.
- Please request for a specification sheet for detailed product data prior to the purchase.
- Before using the product in this catalog, please read "Precautions" and other safety precautions listed in the printed version catalog.

Specifications

| Item | Series name | FS type | Test conditions (conforming to JIS C 5160-1) | |
|--|----------------------------|---|---|--|
| Category temperature range | | -25°C to +70°C | | |
| MAX operating voltage | | 5.5Vdc, 11Vdc, 12Vdc | | |
| Capacitance | | 5.5V : 0.022F to 1.0F 11V : 0.47, 1.0 12V : 1.0F, 5.0F | Refer to "Measurement Conditions" | |
| Capacitance allowance | | +80%, -20% | Refer to "Measurement Conditions" | |
| ESR | | 5.5V : 0.0022F to 1.0F 11V : 0.47F, 1.0F 12V : 1.0F, 5.0F | Measured at 1kHz, 10mA ; See also "Measurement Conditions" | |
| Current (30-minutes value) | | Refer to standard ratings | Refer to "Measurement Conditions" | |
| Surge | Capacitance | More than 90% of initial ratings | Surge voltage : 6.3V (5.5V type) : 12.6V (11V type) : 13.6V (12V type) Charge : 30 sec. Discharge : 9min 30sec. Number of cycles : 1000 Series resistance : 0.022F 560Ω : 0.047F 300Ω : 0.10F 150Ω : 0.22F 56Ω : 0.47F 30Ω : 1.0F 15Ω : 5.0F 10Ω Discharge resistance : 0Ω Temperature : 70±2°C | |
| | ESR | Not to exceed 120% of initial ratings | | |
| | Current (30 minutes value) | Not to exceed 120% of initial ratings | | |
| | Appearance | No obvious abnormality | | |
| Characteristics in different temperature | Capacitance | Phase 2 | 50% or higher than initial value | Conforms to 4.17 Phase1 : +25±2°C Phase2 : -25±2°C Phase4 : +25±2°C Phase5 : +70±2°C Phase6 : +25±2°C |
| | ESR | | 300% or less than initial value | |
| | Capacitance | Phase 3 | | |
| | ESR | | | |
| | Capacitance | Phase 5 | 150% or less than initial value | |
| | ESR | | Satisfy initial ratings | |
| | Current (30 minutes value) | | 1.5CV (mA) or below | |
| | Capacitance | Phase 6 | Within ±20% of initial value | |
| ESR | | Satisfy initial ratings | | |
| Current (30 minutes value) | | Satisfy initial ratings | | |
| Lead strength (tensile) | | No terminal damage | Conforms to 4.9 | |
| Vibration resistance | Capacitance | Satisfy initial ratings | Conforms to 4.13 Frequency : 10 to 55 Hz Testing time : 6 hours | |
| | ESR | | | |
| | Current (30 minutes value) | | | |
| | Appearance | No obvious abnormality | | |
| Solderability | | Over 3/4 of the terminal should be covered by the new solder | Conforms to 4.11 Solder temp : 245±5°C Dipping time : 5±0.5 sec. 1.6mm from the bottom should be dipped. | |
| Solder heat resistance | Capacitance | Satisfy initial ratings | Conforms to 4.10 Solder temp : 260±10°C Dipping time : 10±1 sec. 1.6mm from the bottom should be dipped. | |
| | ESR | | | |
| | Current (30 minutes value) | | | |
| | Appearance | No obvious abnormality | | |
| Temperature cycle | Capacitance | Satisfy initial ratings | Conforms to 4.12 Temperature condition : -25°C →Room temperature→ +70°C →Room temperature Number of cycles : 5 Cycles | |
| | ESR | | | |
| | Current (30 minutes value) | | | |
| | Appearance | No obvious abnormality | | |
| High temp. and high humidity resistance | Capacitance | Over 90% of the initial value (5.5V type) Within ±20% of initial value (11V type, 12Vtype) | Conforms to 4.14 Temperature : 40±2°C Relative humidity : 90 to 95 %RH Testing time : 240±8 hours | |
| | ESR | Not to exceed 120% of initial ratings | | |
| | Current (30 minutes value) | Not to exceed 120% of initial ratings | | |
| | Appearance | No obvious abnormality | | |
| High temperature load | Capacitance | Over 85% of the initial value (5.5V type) Within ±20% of initial value (11V type, 12Vtype) | Conforms to 4.15 Temperature : 70±2°C Voltage applied : MAX operating voltage Series protection resistance : 0Ω Testing time : 1000*Hours | |
| | ESR | Below 200% of initial ratings | | |
| | Current (30 minutes value) | Below 200% of initial ratings | | |
| | Appearance | No obvious abnormality | | |



- All specifications in this catalog and production status of products are subject to change without notice. Prior to the purchase, please contact NEC TOKIN for updated product data.
- Please request for a specification sheet for detailed product data prior to the purchase.
- Before using the product in this catalog, please read "Precautions" and other safety precautions listed in the printed version catalog.

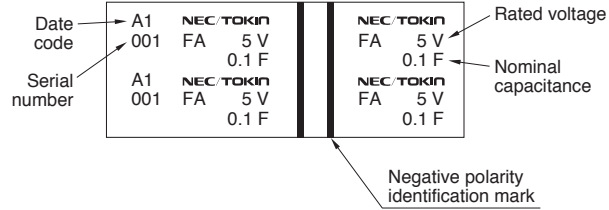
6.8 FA Series, FE Series

● FA Series

Dimensions



Markings on sleeve



Specifications

| Part Number | MAX operating voltage (Vdc) | Rated voltage (Vdc) | Nominal capacitance | | MAX ESR (at 1 kHz) (Ω) | MAX current at 30 min. (mA) | Dimension (unit:mm) | | | | | | Weight (g) |
|-------------|-----------------------------|---------------------|---------------------|----------------------|------------------------|-----------------------------|---------------------|------|------|-----|----------------|----------------|------------|
| | | | Charge system (F) | Discharge system (F) | | | φ D | H | P | ℓ | d ₁ | d ₂ | |
| FA0H473ZF | 5.5 | 5 | 0.047 | 0.075 | 20.0 | 0.071 | 16.0 | 15.5 | 5.1 | 5.0 | 0.4 | 1.2 | 6.2 |
| FA0H104ZF | 5.5 | 5 | 0.10 | 0.16 | 8.0 | 0.15 | 21.5 | 15.5 | 7.6 | 5.5 | 0.6 | 1.2 | 12 |
| FA0H224ZF | 5.5 | 5 | 0.22 | 0.35 | 5.0 | 0.33 | 28.5 | 16.5 | 10.2 | 9.5 | 0.6 | 1.4 | 25 |
| FA0H474ZF | 5.5 | 5 | 0.47 | 0.75 | 3.5 | 0.71 | 36.5 | 16.5 | 15.0 | 9.5 | 0.6 | 1.7 | 42 |
| FA0H105ZF | 5.5 | 5 | 1.0 | 1.6 | 2.5 | 1.5 | 44.5 | 18.5 | 20.0 | 9.5 | 1.0 | 1.4 | 65 |
| FA1A223ZF | 11.0 | 10 | 0.022 | 0.035 | 20.0 | 0.066 | 16.0 | 25.0 | 5.1 | 5.0 | 0.4 | 1.2 | 7.5 |
| FA1A104ZF | 11.0 | 10 | 0.10 | 0.16 | 8.0 | 0.30 | 28.5 | 25.5 | 10.2 | 9.5 | 0.6 | 1.4 | 32 |
| FA1A224ZF | 11.0 | 10 | 0.22 | 0.35 | 6.0 | 0.66 | 36.5 | 27.5 | 15.0 | 9.5 | 1.0 | 1.4 | 55 |
| FA1A474ZF | 11.0 | 10 | 0.47 | 0.75 | 4.0 | 1.41 | 44.5 | 28.5 | 20.0 | 9.5 | 1.0 | 1.4 | 83 |

● FE Series

Dimensions



Markings on sleeve



Specifications

| Part Number | MAX operating voltage (Vdc) | Nominal capacitance | | MAX ESR (at 1 kHz) (Ω) | MAX current at 30 min. (mA) | Dimension (unit:mm) | | | | | | Weight (g) |
|-------------|-----------------------------|---------------------|----------------------|------------------------|-----------------------------|---------------------|------|------|-----|----------------|----------------|------------|
| | | Charge system (F) | Discharge system (F) | | | φ D | H | P | ℓ | d ₁ | d ₂ | |
| FE0H473ZF | 5.5 | 0.047 | 0.075 | 14.0 | 0.071 | 14.5 | 14.0 | 5.1 | 2.2 | 0.4 | 1.2 | 3.9 |
| FE0H104ZF | 5.5 | 0.10 | 0.16 | 6.5 | 0.15 | 16.5 | 14.0 | 5.1 | 2.7 | 0.4 | 1.2 | 5 |
| FE0H224ZF | 5.5 | 0.22 | 0.35 | 3.5 | 0.33 | 21.5 | 15.5 | 7.6 | 3.0 | 0.6 | 1.2 | 9.5 |
| FE0H474ZF | 5.5 | 0.47 | 0.75 | 1.8 | 0.71 | 28.5 | 16.5 | 10.2 | 6.1 | 0.6 | 1.4 | 16 |
| FE0H105ZF | 5.5 | 1.0 | 1.4 | 1.0 | 1.5 | 36.5 | 18.5 | 15.0 | 6.1 | 0.6 | 1.7 | 38 |
| FE0H155ZF | 5.5 | 1.5 | 2.1 | 0.6 | 2.3 | 44.5 | 18.5 | 20.0 | 6.1 | 1.0 | 1.4 | 72 |



● All specifications in this catalog and production status of products are subject to change without notice. Prior to the purchase, please contact NEC TOKIN for updated product data.
 ● Please request for a specification sheet for detailed product data prior to the purchase.
 ● Before using the product in this catalog, please read "Precautions" and other safety precautions listed in the printed version catalog.

Specifications

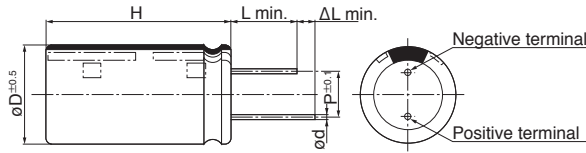
| Series name | | FA | | FE | | Test conditions (conforming to JIS C 5160-1) | |
|--|----------------------------|--|----------------------------------|--|---|--|----------------------------------|
| Item | | FA | | FE | | Test conditions (conforming to JIS C 5160-1) | |
| Category temperature range | | -25°C to +70°C | | -40°C to +70°C | | | |
| MAX operating voltage | | 5.5Vdc, 11Vdc | | 5.5Vdc | | | |
| Capacitance | | 5.5V : 0.047F to 1.0F 11V : 0.022F to 0.47F | | 0.047F to 1.5F | | Refer to "Measurement Conditions" | |
| Capacitance allowance | | +80 %, -20 % | | +80 %, -20 % | | Refer to "Measurement Conditions" | |
| ESR | | Refer to standard ratings | | Refer to standard ratings | | Measured at 1kHz, 10mA ; See also "Measurement Conditions" | |
| Current (30-minutes value) | | Refer to standard ratings | | Refer to standard ratings | | Refer to "Measurement Conditions" | |
| Surge | Capacitance | / | | More than 90% of initial ratings | | Surge voltage : 6.3V (5.5V type) : 12.6V (11V type) Charge : 30 sec. Discharge : 9min 30sec. Number of cycles : 1000 Series resistance : 0.047F 300Ω : 0.10F 150Ω : 0.22F 56Ω : 0.47F 30Ω : 1.0F, 1.5F 15Ω Discharge resistance : 0Ω Temperature : 70±2°C | |
| | ESR | | | Not to exceed 120% of initial ratings | | | |
| | Current (30 minutes value) | | | Not to exceed 120% of initial ratings | | | |
| | Appearance | | | No obvious abnormality | | | |
| Characteristics in different temperature | Capacitance | Phase 2 | 70% or higher than initial value | Phase 2 | / | Conforms to 4.17 Phase1 : +25±2°C Phase2 : -25±2°C Phase3 : -40±2°C (FE type) Phase4 : +25±2°C Phase5 : +70±2°C Phase6 : +25±2°C | |
| | ESR | Phase 2 | 300% or less than initial value | Phase 2 | | | |
| | Capacitance | Phase 3 | / | Phase 3 | | | 40% or higher than initial value |
| | ESR | Phase 3 | | 400% or less than initial value | | | |
| | Capacitance | Phase 5 | 150% or less than initial value | Phase 5 | | | 200% or less than initial value |
| | ESR | | Satisfy initial ratings | Phase 5 | | | Satisfy initial ratings |
| | Current (30 minutes value) | Phase 6 | 1.5CV (mA) or below | Phase 6 | | | 1.5CV (mA) or below |
| | Capacitance | | Within ±20% of initial value | Phase 6 | | | Within ±20% of initial value |
| ESR | Satisfy initial ratings | Phase 6 | Satisfy initial ratings | | | | |
| Current (30 minutes value) | Satisfy initial ratings | Phase 6 | Satisfy initial ratings | | | | |
| Lead strength (tensile) | | No terminal damage | | No terminal damage | | Conforms to 4.9 | |
| Vibration resistance | Capacitance | Satisfy initial ratings | | Satisfy initial ratings | | Conforms to 4.13 Frequency : 10 to 55 Hz Testing time : 6 hours | |
| | ESR | | | | | | |
| | Current (30 minutes value) | | | | | | |
| | Appearance | | | | | | No obvious abnormality |
| Solderability | | Over 3/4 of the terminal should be covered by the new solder | | Over 3/4 of the terminal should be covered by the new solder | | Conforms to 4.11 Solder temp : 245±5°C Dipping time : 5±0.5 sec. 1.6mm from the bottom should be dipped. | |
| Solder heat resistance | Capacitance | Satisfy initial ratings | | Satisfy initial ratings | | Conforms to 4.10 Solder temp : 260±10°C Dipping time : 10±1 sec. 1.6mm from the bottom should be dipped. | |
| | ESR | | | | | | |
| | Current (30 minutes value) | | | | | | |
| | Appearance | | | | | | No obvious abnormality |
| Temperature cycle | Capacitance | Satisfy initial ratings | | Satisfy initial ratings | | Conforms to 4.12 Temperature condition : -25°C (-40°C for FE type)→ Room temperature→ +70°C→Room temperature Number of cycles : 5 Cycles | |
| | ESR | | | | | | |
| | Current (30 minutes value) | | | | | | |
| | Appearance | | | | | | No obvious abnormality |
| High temp. and high humidity resistance | Capacitance | Over 90% of initial value | | Within ±20% of initial value | | Conforms to 4.14 Temperature : 40±2°C Relative humidity : 90 to 95 % RH Testing time : 240±8 hours | |
| | ESR | Not to exceed 120% of initial ratings | | Not to exceed 120% of initial ratings | | | |
| | Current (30 minutes value) | Not to exceed 120% of initial ratings | | Not to exceed 120% of initial ratings | | | |
| | Appearance | No obvious abnormality | | No obvious abnormality | | | |
| High temperature load | Capacitance | Over 85% of initial value | | Within ±30% of initial value | | Conforms to 4.15 Temperature : 70±2°C Voltage applied : MAX operating voltage Series protection resistance : 0Ω Testing time : 1000±%Hours | |
| | ESR | Below 120% of initial ratings | | Below 200% of initial ratings | | | |
| | Current (30 minutes value) | Below 200% of initial ratings | | Below 200% of initial ratings | | | |
| | Appearance | No obvious abnormality | | No obvious abnormality | | | |



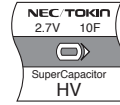
- All specifications in this catalog and production status of products are subject to change without notice. Prior to the purchase, please contact NEC TOKIN for updated product data.
- Please request for a specification sheet for detailed product data prior to the purchase.
- Before using the product in this catalog, please read "Precautions" and other safety precautions listed in the printed version catalog.

6.9 HV Series (High capacitance Type)

Dimensions



Markings on sleeve



Specifications

| Part Number | MAX operating voltage (Vdc) | Nominal capacitance (F) | MAX ESR (at 1 kHz) (Ω) | MAX current at 30 min. (mA) | Dimension (unit:mm) | | | | | | Weight (g) |
|-------------|-----------------------------|-------------------------|------------------------|-----------------------------|---------------------|------|------|-----|------|-----|------------|
| | | | | | φ D | H | P | φ d | L | ΔL | |
| HVS0E106NF | 2.7 | 10 | 100 | 8 | 10.0 | 35±2 | 5.0 | 0.6 | 15.0 | 5.0 | 4.5 |
| HVS0E226NF | 2.7 | 22 | 100 | 18 | 12.5 | 35±2 | 5.0 | 0.6 | 15.0 | 5.0 | 6.5 |
| HVS0E506NF | 2.7 | 50 | 30 | 40 | 18.0 | 40±5 | 7.5 | 0.8 | 15.0 | 5.0 | 14.0 |
| HVS0E107NF | 2.7 | 100 | 30 | 81 | 22.0 | 50±5 | 10.2 | 1.0 | 15.0 | 5.0 | 24.0 |

Specifications

| Item | Specifications | Test conditions (conforming to JIS C 5160-2) |
|--|--|--|
| Category temperature range | -25°C to +60°C (50F, 100F), -25°C to +70°C (10F, 22F), | |
| MAX operating voltage | 2.7Vdc | |
| Capacitance | 10F, 22F, 50F, 100F | Refer to "Measurement Conditions" |
| Capacitance allowance | ±30 % | Refer to "Measurement Conditions" |
| ESR | Refer to standard ratings | Measured at 1kHz, 10mA ; See also "Measurement Conditions" |
| Current (30-minutes value) | Refer to standard ratings | Refer to "Measurement Conditions" |
| Characteristics in different temperature | Capacitance | Conforms to 4.13 Phase2 : Category MIN temp. Phase4 : Category MAX temp. Phase5 : 25°C |
| | ESR | |
| | Capacitance | |
| | ESR | |
| | Current (30 minutes value) | |
| | Current (30 minutes value) | |
| Lead strength (tensile) | No terminal damage | Conforms to 4.5 |
| Vibration resistance | Capacitance | Satisfy initial ratings |
| | ESR | |
| | Current (30 minutes value) | |
| | Appearance | |
| Solderability | Over 3/4 of the terminal should be covered by the new solder | Conforms to 4.7 Solder temp : 245±5°C Dipping time : 5±0.5 sec. 1.6mm from the bottom should be dipped. |
| Solder heat resistance | Capacitance | Satisfy initial ratings |
| | ESR | |
| | Current (30 minutes value) | |
| | Appearance | |
| Temperature cycle | Capacitance | Satisfy initial ratings |
| | ESR | |
| | Current (30 minutes value) | |
| | Appearance | |
| High temp. and high humidity resistance | Capacitance | No obvious abnormality |
| | ESR | |
| | Current (30 minutes value) | |
| | Appearance | |
| High temperature load | Capacitance | No obvious abnormality |
| | ESR | |
| | Current (30 minutes value) | |
| | Appearance | |



- All specifications in this catalog and production status of products are subject to change without notice. Prior to the purchase, please contact NEC TOKIN for updated product data.
- Please request for a specification sheet for detailed product data prior to the purchase.
- Before using the product in this catalog, please read "Precautions" and other safety precautions listed in the printed version catalog.

7. Packing

1. FM Series

(1) Bulk

- Packing method : Pack in vinyl bags then pack them into cardboard boxes.
- Standard packing quantity : 1000pcs (100pcs / vinyl bag × 10)
 However : FM0H104ZF-L1 and FM0H224ZF-L1=800pcs, FMC0H334ZF=400pcs, FMC0H334ZF-L1=300pcs

(2) Taping

- Packing method : Ammo pack
- Standard packing quantity : 1000pcs However, FMC0H334ZFTP() = 400pcs

2. FC Series

| Part name | Packing unit |
|-------------------|------------------|
| FC0H473ZFTBR24 | 1000 PCS. / reel |
| FC0H104ZFTBR24 | 1000 PCS. / reel |
| FC0H224ZFTBR24 | 500 PCS. / reel |
| FC0H474ZFTBR32-SS | 200 PCS. / reel |
| FC0H105ZFTBR44-SS | 150 PCS. / reel |
| FC0V104ZFTBR24 | 1000 PCS. / reel |
| FC0V224ZFTBR24 | 1000 PCS. / reel |
| FC0V474ZFTBR24 | 500 PCS. / reel |
| FCS0H473ZFTBR24 | 1000 PCS. / reel |
| FCS0H104ZFTBR24 | 1000 PCS. / reel |
| FCS0H224ZFTBR24 | 500 PCS. / reel |
| FCS0V104ZFTBR24 | 1000 PCS. / reel |
| FCS0V224ZFTBR24 | 1000 PCS. / reel |
| FCS0V474ZFTBR24 | 500 PCS. / reel |
| FCH0V683ZFTBR16 | 1500 PCS. / reel |
| FCH0H433ZFTBR16 | 1500 PCS. / reel |

3. FG, FT, FS, FR, FY, FA Series

(1) Bulk (Small type)

- Packing method : Pack in vinyl bags then pack them into cardboard boxes.
- Standard packing quantity: see chart below.

(Unit : Pises)

| Series name Capacitance | FA | | FE | FS | | FY | | | FR | FG | FT |
|----------------------------|-----------|----------|-----|-----------|--------------------|------|------|------|-----|------|------|
| | 5.5V type | 11V type | | 5.5V type | 11V type, 12V type | FYD | FYH | FYL | | | |
| 0.010F | — | — | — | — | — | — | — | 2000 | — | 2000 | — |
| 0.022F | — | 240 | — | 1000 | — | 1000 | 1600 | 2000 | 800 | 2000 | — |
| 0.047F | 400 | — | 400 | 800 | — | 1000 | 800 | 1600 | 400 | 2000 | — |
| 0.10F | — | — | 400 | 600 | — | 800 | 600 | — | 400 | 1600 | 1000 |
| 0.22F | — | — | — | 400 | — | 400 | 500 | — | 300 | 800 | 400 |
| 0.47F | — | — | — | — | — | 240 | — | — | 240 | 300 | 400 |
| 1.0F | — | — | — | — | — | — | — | — | — | 240 | — |

(2) Bulk (large type)

- Packing method: Pin the terminal onto a conductive mat; then pack it into individual cardboard box with insulation material.
- Standard packing quantity: see chart below.

(Unit : Pises)

| Series name Capacitance | FA | | FE | FS | | FY | | | FR | FG | FT |
|----------------------------|-----------|----------|----|-----------|--------------------|-----|-----|-----|----|-----|----|
| | 5.5V type | 11V type | | 5.5V type | 11V type, 12V type | FYD | FYH | FYL | | | |
| 0.10F | 90 | 50 | — | — | — | — | — | — | — | — | — |
| 0.22F | 50 | 30 | 90 | — | — | — | — | — | — | — | — |
| 0.47F | 30 | 20 | 50 | 90 | 50 | — | 90 | — | — | — | — |
| 1.0F | 20 | — | 30 | 50 | 50 | 90 | 50 | — | 90 | — | 90 |
| 1.4F | — | — | — | — | — | 90 | — | — | — | — | — |
| 1.5F | — | — | 20 | — | — | — | — | — | — | 160 | — |
| 2.2F | — | — | — | — | — | 50 | — | — | — | 90 | 50 |
| 3.3F | — | — | — | — | — | — | — | — | — | — | 30 |
| 4.7F | — | — | — | — | — | — | — | — | — | 50 | — |
| 5.0F | — | — | — | — | 20 | — | — | — | — | — | — |
| 5.6F | — | — | — | — | — | — | — | — | — | — | 20 |

4. Winded type (HV Series)

- Packing method : Pack in vinyl bags then pack them into cardboard boxes.
- Standard packing quantity : 320pcs (10F), 224pcs (22F), 120pcs (50F), 80pcs (100F)



- All specifications in this catalog and production status of products are subject to change without notice. Prior to the purchase, please contact NEC TOKIN for updated product data.
- Please request for a specification sheet for detailed product data prior to the purchase.
- Before using the product in this catalog, please read "Precautions" and other safety precautions listed in the printed version catalog.

8. List of Plating Type and Sleeve Type

By changing the solder plating from leaded solder to lead-free solder, and the outer tube material of can-cased conventional SuperCapacitor from polyvinyl chloride to Polyethylene Terephthalate (PET), our new SuperCapacitor has now become even more friendlier to the environment.

- a. Iron + copper base + lead-free solder plating (Sn-1Cu)
- b. SUS nickel base + copper base + reflow lead-free solder plating (100% Sn, reflow processed)
- c. Iron + copper base + lead-free solder plating (100% Sn)

| Series | Part Number | Plating | Sleeve |
|-----------------|-------------------|--------------|--------------|
| FA | All FA Series | a | PET (Blue) |
| FE | All FE Series | a | PET (Blue) |
| FS | All FS Series | a | PET (Blue) |
| FR | All FR Series | a | PET (Blue) |
| FT | All FT Series | a | PET (Blue) |
| FY | All FYD type | a | PET (Blue) |
| | All FYH type | a | PET (Blue) |
| | FYLOH473ZF | a | PET (Blue) |
| | FYLOH223ZF | b | PET (Blue) |
| | FYLOH103ZF | b | PET (Blue) |
| FG | FG0H103ZF | b | PET (Blue) |
| | FG0H223ZF | b | PET (Blue) |
| | FG0H473ZF | b | PET (Blue) |
| | FG0H104ZF | b | PET (Blue) |
| | FG0H224ZF | a | PET (Blue) |
| | FG0H474ZF | a | PET (Blue) |
| | FG0H105ZF | a | PET (Blue) |
| | FG0H225ZF | a | PET (Blue) |
| | FG0H475ZF | a | PET (Blue) |
| | FGH0H104ZF | b | PET (Blue) |
| | FGH0H224ZF | b | PET (Blue) |
| | FGH0H474ZF | a | PET (Blue) |
| | FGH0H105ZF | a | PET (Blue) |
| All FGR type | a | PET (Blue) | |
| FM | All FM Series | a | No tube used |
| FC | FC0H473ZFTBR24 | b | No tube used |
| | FC0H104ZFTBR24 | b | No tube used |
| | FC0H224ZFTBR24 | b | No tube used |
| | FC0H474ZFTBR32-SS | a | No tube used |
| | FC0H105ZFTBR44-SS | a | No tube used |
| | FC0V104ZFTBR24 | b | No tube used |
| | FC0V224ZFTBR24 | b | No tube used |
| | FC0V474ZFTBR24 | b | No tube used |
| | FCH0V683ZFTBR16 | b | No tube used |
| | FCH0H433ZFTBR16 | b | No tube used |
| | FCS0H473ZFTBR24 | b | No tube used |
| | FCS0H104ZFTBR24 | b | No tube used |
| | FCS0H224ZFTBR24 | b | No tube used |
| | FCS0V104ZFTBR24 | b | No tube used |
| | FCS0V224ZFTBR24 | b | No tube used |
| FCS0V474ZFTBR24 | b | No tube used | |
| HV | All HV Series | c | PET (Blue) |

Recommended Pb-free solder : Sn / 3.5Ag / 0.75Cu
 Sn / 3.0Ag / 0.5Cu
 Sn / 0.7Cu
 Sn / 2.5Ag / 1.0Bi / 0.5Cu



- All specifications in this catalog and production status of products are subject to change without notice. Prior to the purchase, please contact NEC TOKIN for updated product data.
- Please request for a specification sheet for detailed product data prior to the purchase.
- Before using the product in this catalog, please read "Precautions" and other safety precautions listed in the printed version catalog.

9. Measurement Conditions

(1) Capacitance (Charge System)

Capacitance is calculated from expression (9) by measuring the charge time constant (τ) of the capacitor (C). Prior to measurement, short between both pins of the capacitor for 30 minutes or more to let it discharge. In addition, follow the indication of the product when determining the polarity of the capacitor during charging.

$$\text{Capacitance: } C = \frac{\tau}{R_c} \text{ (F)} \quad (9)$$



- E₀: 3.0 (V) ... Product with maximum operating voltage 3.5 V
- 5.0 (V) ... Product with maximum operating voltage 5.5 V
- 6.0 (V) ... Product with maximum operating voltage 6.5 V
- 10.0 (V) ... Product with maximum operating voltage 11 V
- 12.0 (V) ... Product with maximum operating voltage 12 V

τ : Time from start of charging until V_c becomes 0.632E₀ (V) (sec)

R_c: See table below (Ω).

| | FA | FE | FS | FY | | | FR | FM, FME FMR, FML | FMC | FG FGR | FGH | FT | FC, FCH FCS |
|--------|--------|--------|--------|--------|--------|--------|--------|-----------------------------|-----------|-----------|-----------|-------|----------------|
| | | | | FYD | FYH | FYL | | | | | | | |
| 0.010F | — | — | — | — | — | 5000 Ω | — | 5000 Ω | — | 5000 Ω | — | — | — |
| 0.022F | 1000 Ω | — | 1000 Ω | 2000 Ω | 2000 Ω | 2000 Ω | 2000 Ω | 2000 Ω | — | 2000 Ω | — | — | Discharge |
| 0.033F | — | — | — | — | — | — | — | Discharge | — | — | — | — | — |
| 0.043F | — | — | — | — | — | — | — | — | — | — | — | — | Discharge |
| 0.047F | 1000 Ω | 1000 Ω | 1000 Ω | 2000 Ω | 1000 Ω | 2000 Ω | 1000 Ω | 2000 Ω | 1000 Ω | 2000 Ω | — | — | — |
| 0.068F | — | — | — | — | — | — | — | — | — | — | — | — | Discharge |
| 0.10F | 510 Ω | 510 Ω | 510 Ω | 1000 Ω | 510 Ω | — | 1000 Ω | 1000 Ω | 1000 Ω | 1000 Ω | Discharge | 510 Ω | Discharge |
| 0.22F | 200 Ω | 200 Ω | 200 Ω | 510 Ω | 510 Ω | — | 510 Ω | 0H: Discharge 0V: 1000 Ω | — | 1000 Ω | Discharge | 200 Ω | Discharge |
| 0.33F | — | — | — | — | — | — | — | — | Discharge | — | — | — | — |
| 0.47F | 100 Ω | 100 Ω | 100 Ω | 200 Ω | 200 Ω | — | 200 Ω | — | — | 1000 Ω | Discharge | 100 Ω | Discharge |
| 1.0F | 51 Ω | 51 Ω | 100 Ω | 100 Ω | 100 Ω | — | 100 Ω | — | — | 510 Ω | Discharge | 100 Ω | Discharge |
| 1.4F | — | — | — | 200 Ω | — | — | — | — | — | — | — | — | — |
| 1.5F | — | 51 Ω | — | — | — | — | — | — | — | 510 Ω | — | — | — |
| 2.2F | — | — | — | 100 Ω | — | — | — | — | — | 200 Ω | — | 51 Ω | — |
| 3.3F | — | — | — | — | — | — | — | — | — | — | — | 51 Ω | — |
| 4.7F | — | — | — | — | — | — | — | — | — | 100 Ω | — | — | — |
| 5.0F | — | — | 100 Ω | — | — | — | — | — | — | — | — | — | — |
| 5.6F | — | — | — | — | — | — | — | — | — | — | — | 20 Ω | — |

*Capacitance values according to the constant current discharge method.

Table 3 Capacitance measurement

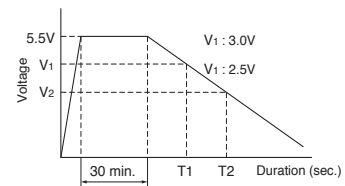
Capacitance (Discharge System)

In the diagram below, charging is performed for a duration of 30 minutes, once the voltage of the condenser terminal reaches 5.5 V.

Then, use a constant current load device and measure the time for the terminal voltage to drop from 3.0 to 2.5 V upon discharge at 0.22 mA for 0.22 F, for example, and calculate the static capacitance according to the equation shown below.

Note: The current value is 1 mA discharged per 1F.

$$\text{Capacitance : } C = \frac{I \times (T_2 - T_1)}{V_1 - V_2} \text{ (F)}$$



- All specifications in this catalog and production status of products are subject to change without notice. Prior to the purchase, please contact NEC TOKIN for updated product data.
- Please request for a specification sheet for detailed product data prior to the purchase.
- Before using the product in this catalog, please read "Precautions" and other safety precautions listed in the printed version catalog.

10. Notes on Using Super Capacitor (Electric Double-Layer Capacitor)

1. Circuitry design

1.1 Useful life

The electrical double layered capacitor (super capacitor) uses electrolyte and is sealed with rubber etc. Water in the electrolyte can evaporate in use over long periods at high temperatures, thus reducing electrostatic capacity which in turn will create greater internal resistance. The characteristics of the super capacitor can vary greatly depending on the environment it is used in. Therefore, controlling the usage environment will ensure prolonged life of the part.

Basic breakdown mode is an open mode due to increased internal resistance.

1.2 Fail rate in the field

Based on field data, the fail rate is calculated at approx. 0.006Fit. We estimate that unreported failures are ten times this amount. Therefore, we assume that the fail rate is below 0.06Fit.

1.3 Voltage application when maximum usable voltage is exceeded

Performance may be compromised, and in some cases leakage or damage may occur if applied voltage exceeds maximum working voltage.

1.4 Use of capacitor as a smoothing capacitor (ripple absorption) in electrical circuits

As super capacitors contain a high level of internal resistance, they are not recommended for use as electrical smoothing capacitors in electrical circuits.

Performance may be compromised, and in some cases leakage or damage may occur if a super capacitor is used in ripple absorption.

1.5 Series connections

As applied voltage balance to each super capacitor is lost when used in series connection, excess voltage may be applied to some super capacitors, which will not only negatively affect its performance but may also cause leakage and/or damage.

Allow ample margin for maximum voltage or attach a circuit for applying equal voltage to each super capacitor (partial pressure resistor/voltage divider) when using super capacitors in series connection.

Also, arrange super capacitors so that the temperature between each capacitor will not vary.

1.6 Outer sleeve insulation

The outer sleeve wrapped around the super capacitor indicates that it is sealed, however the outer sleeve is not guaranteed for insulation purposes. Therefore, it cannot be used where insulation is necessary.

1.7 Polar characteristics

The super capacitor is manufactured so that the terminal on the outer case is negative (-). Align the (-) symbol during use. Even though discharging has been carried out prior to shipping, any residual electrical charge may negatively affect other parts.

1.8 Use next to heat emitters

Useful life of the super capacitor will be significantly affected if used near heat emitting items (coils, power transistors, and posistors etc) where the super capacitor itself may become heated.

1.9 Usage environment

This device cannot be used in any acidic, alkaline or similar type of environment.



1.10 Super capacitors fitted with pressure valves

HV series super capacitors are fitted with pressure valves. Make an opening in the top of the pressure valve to avoid any damage to the super capacitor when the pressure valve is in use. Allow at least a 2mm opening for models with a diameter of ϕ 18mm or less, and at least a 3mm opening for models with a diameter of ϕ 22mm.

2. Mounting

2.1 Mounting onto a reflow furnace

Except for the FC series, it is not possible to mount this capacitor onto an IR / VPS reflow furnace. Do not immerse the capacitor into a soldering dip tank.

2.2 Flow soldering conditions

Keep solder under 260°C and soldering time to within 10 seconds when using the flow automatic soldering method. (Except for the FC and HV series)

2.3 Installation using a soldering iron

Care must be taken to prevent the soldering iron from touching other parts when soldering. Keep the tip of the soldering iron under 400°C and soldering time to within 3 seconds. Always make sure that the temperature of the tip is controlled. Internal capacitor resistance is likely to increase if the terminals are overheated.

2.4 Lead terminal processing

Do not attempt to bend or polish the capacitor terminals with sand paper etc. Soldering may not be possible if the metallic plating is removed from the top of the terminals.

2.5 Cleaning, Coating, and Potting

Except for the FM series, cleaning, coating, and potting must not be carried out. Consult us if this type of procedure is necessary.

Terminals should be dried at less than the maximum operating temperature after cleaning.

3. Storage

3.1 Temperature and Humidity

Make sure that the super capacitor is stored according to the following conditions: Temp.: 5~35°C (Standard 25), Humidity: 20~70% (Standard: 50%). Do not allow the build up of condensation through sudden temperature change.

3.2 Environment conditions

Make sure that there are no corrosive gasses like sulfur dioxide as penetration of the lead terminals is possible.

Always store this item in an area with low dust and dirt levels.

Make sure that the packaging will not be deformed through heavy loading, movement and/or knocks.

Keep out of direct sunlight, and away from radiation, static electricity, and magnetic fields.

3.3 Maximum storage period

This item may be stored up to one year from the date of delivery if stored at the conditions stated above.

This product should be safe to use even after being stored for over a 1 year period. However, depending on the storage conditions, we recommend that the soldering is checked.

4. Dismantling

There is a small amount of electrolyte stored within the capacitor. Do not attempt to dismantle as direct skin contact with the electrolyte will cause burning.

This product should be treated as industrial waste and not be disposed of by fire.



- All specifications in this catalog and production status of products are subject to change without notice. Prior to the purchase, please contact NEC TOKIN for updated product data.
- Please request for a specification sheet for detailed product data prior to the purchase.
- Before using the product in this catalog, please read "Precautions" and other safety precautions listed in the printed version catalog.

38 Super Capacitors Vol.12



- All specifications in this catalog and production status of products are subject to change without notice. Prior to the purchase, please contact NEC TOKIN for updated product data.
- Please request for a specification sheet for detailed product data prior to the purchase.
- Before using the product in this catalog, please read "Precautions" and other safety precautions listed in the printed version catalog.

When using our products, the following precautions should be taken.

- (1) Safety designing of an apparatus or a system allowing for failures of electronic components used in the system

In general, failures will occur in electronic components at a certain probability. NEC TOKIN makes every effort to improve the quality and reliability of electronic component products. However, it is impossible to completely eliminate the probability of failures. Therefore, when using NEC TOKIN's electronic component products, systems should be carefully designed to ensure redundancy in the event of an accident which would result in injury or death, fire, or social damage, to ensure the prevention of the spread of fire, and the prevention of faulty operation. (Please refer to pre-cautions to be taken when using SuperCapacitor capacitors for the details of failures.)

- (2) Quality level of various kinds of parts, and equipment in which the parts can be utilized
Electronic components have a standard quality level unless otherwise specified.

NEC TOKIN classifies the level of quality of electronic component products into three levels, in order from a lower level, a standard quality level, a special quality level, and a custom quality level in which a customer individually specifies a quality assurance program. Each of the quality levels has recommended applications.

If a user wants to use the electronic parts having a standard quality level in applications other than the applications specified for the standard quality level, they should always consult a member of our company's sales staff before using the electronic parts.

| | |
|-------------------------|--|
| Standard quality level: | Computers, office automation equipment, communications equipment, measuring instruments, AV equipment, household electrical appliances, machine tools, personal equipment, industrial robots |
| Special quality level: | Transportation equipment (automobiles, railways, shipping, or the like), traffic signals, disaster prevention/crime prevention systems, safety devices, and medical equipment which is not directly intended for life-support purposes |
| Custom quality level: | Equipment for airplanes, aerospace equipment, nuclear power control systems, and medical equipment, apparatus or systems for life-support purposes |

Unless otherwise shown, the quality level of NEC TOKIN's electronic component products included in documents such as catalogues, data sheets or data books is the standard quality level.

- (3) This manual is subject to change without notice.

The contents of this manual are based on data which is correct as of July 2010, and they may be changed without notice. If our products are used for mass-production design, please consult with a member of our company's sales staff by way of precaution.

- (4) Reprinting and copying of this manual without prior written permission from NEC TOKIN Corporation are not permitted.
- (5) Industrial property problems

In the event any problems associated with industrial property of a third party arising as a result of the use of our products, NEC TOKIN assumes no responsibility for problems other than problems directly associated with the constitution and manufacturing method of the products.

- (6) Should any of these products come under the category of strategic goods or services (according to Japan's foreign trade and foreign exchange regulations), the sender must obtain an export license from the Japanese Government before said products can be exported outside Japan.



- All specifications in this catalog and production status of products are subject to change without notice. Prior to the purchase, please contact NEC TOKIN for updated product data.
- Please request for a specification sheet for detailed product data prior to the purchase.
- Before using the product in this catalog, please read "Precautions" and other safety precautions listed in the printed version catalog.

Данный компонент на территории Российской Федерации

Вы можете приобрести в компании MosChip.

Для оперативного оформления запроса Вам необходимо перейти по данной ссылке:

<http://moschip.ru/get-element>

Вы можете разместить у нас заказ для любого Вашего проекта, будь то серийное производство или разработка единичного прибора.

В нашем ассортименте представлены ведущие мировые производители активных и пассивных электронных компонентов.

Нашей специализацией является поставка электронной компонентной базы двойного назначения, продукции таких производителей как XILINX, Intel (ex.ALTERA), Vicor, Microchip, Texas Instruments, Analog Devices, Mini-Circuits, Amphenol, Glenair.

Сотрудничество с глобальными дистрибьюторами электронных компонентов, предоставляет возможность заказывать и получать с международных складов практически любой перечень компонентов в оптимальные для Вас сроки.

На всех этапах разработки и производства наши партнеры могут получить квалифицированную поддержку опытных инженеров.

Система менеджмента качества компании отвечает требованиям в соответствии с ГОСТ Р ИСО 9001, ГОСТ РВ 0015-002 и ЭС РД 009

Офис по работе с юридическими лицами:

105318, г.Москва, ул.Щербаковская д.3, офис 1107, 1118, ДЦ «Щербаковский»

Телефон: +7 495 668-12-70 (многоканальный)

Факс: +7 495 668-12-70 (доб.304)

E-mail: info@moschip.ru

Skype отдела продаж:

moschip.ru

moschip.ru_4

moschip.ru_6

moschip.ru_9