

### GENERAL SPECIFICATIONS FOR SB25, SB60s, SB221s, SB265

#### Electrical Capacity (Resistive Load)

**Power Level:** Shown in the following tables

#### Other Ratings

<b>Contact Resistance:</b>	10 milliohms maximum
<b>Insulation Resistance:</b>	200 megohms minimum @ 500V DC for SB221s, SB25, & SB265; 1,000 megohms minimum @ 500V DC for SB60s.
<b>Dielectric Strength:</b>	1,500V AC minimum for SB265 & SB25 for 1 minute minimum; 2,000V AC minimum between contacts for SB221s & SB60s for 1 minute minimum; 1,500V AC minimum between contacts & case for SB221s & SB60s for 1 minute minimum
<b>Mechanical Life:</b>	50,000 operations minimum for SB221s; 30,000 operations minimum for SB25, SB60s, SB265
<b>Electrical Life:</b>	10,000 operations minimum
<b>Total Travel:</b>	SB221s .116" (2.95mm); SB60s .094" (2.4mm); SB265 .213" (5.4mm); SB25 .195" (4.95mm)
<b>Operating Temp Range:</b>	-10°C through +70°C (+14°F through +158°F)

#### Materials & Finishes

<b>Cap:</b>	Polybutylene terephthalate (PBT) (AT414)
<b>Plunger:</b>	Polyacetal or brass with nickel plating
<b>Bushing:</b>	Brass with nickel plating
<b>Case:</b>	Phenolic resin or melamine phenolic resin
<b>Case Cover:</b>	Steel with zinc plating
<b>Movable &amp; Stationary Contacts:</b>	Copper with silver plating for SB221s; silver alloy with silver plating for SB25, SB60s, & SB265
<b>Terminals:</b>	Copper with tin plating for SB25 & SB60s; copper with silver plating for SB265



#### Installation

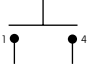

**Soldering Time & Temp:** Manual Soldering (Solder Lug): See Profile A in Supplement section.

#### Standards & Certifications

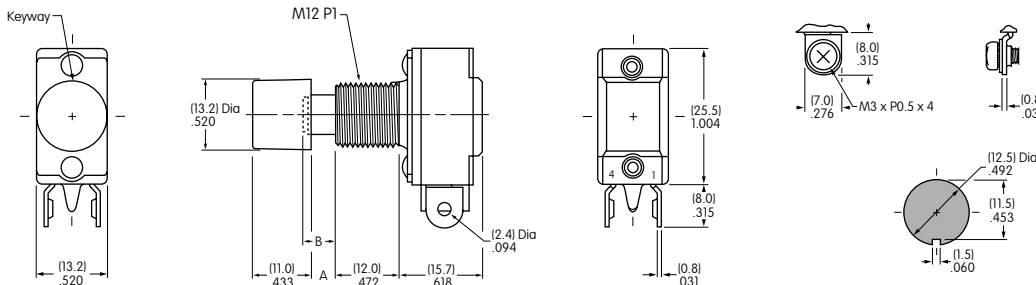
<b>UL:</b>	<b>File No. E44145 - Recognized only when ordered with marking on switch.</b> Add "/U" or "/CUL" to end of part number to order UL recognized switch. UL or cULus recognition designated beside part numbers on following pages. See Supplement section to find UL or cULus rating details.
<b>CSA:</b>	<b>File No. 023535_0_000 - Certified only when ordered with marking on switch.</b> Add "/C" to end of part number to order CSA certified switch. CSA certification designated beside part numbers on following pages. See Supplement section to find CSA rating details.

## SINGLE POLE WITH SOLDER LUG \* OR SCREW LUG

* UL, cULus & CSA recognized only when ordered with marking on switch (see General Specs)			Pushbutton Position/Connected Terminals ( ) = Momentary		Electrical Capacity (Resistive)	
Model	* Approvals UL cULus SP	Pole & Throw	Normal 	Down 	AC 125V	AC 250V
SB221NO	— — ✓	SPST	OFF —	(ON) 1-4	3A	1.5A
SB221NC	✓ — ✓	SPST	ON 1-4	(OFF) —	3A	1.5A
SB221TNO	— — ✓	SPST	OFF —	(ON) 1-4	3A	1.5A
SB221TNC	✓ — ✓	SPST	ON 1-4	(OFF) —	3A	1.5A

Suffix T = Screw Lug      **Throw & Schematic:**      SPST SB221NO       SPST SB221NC       Note: Terminal numbers are actually on the switch.

**Notes:** Standard Hardware: AT504M Knurled Nut, AT508 Lockwasher, AT527M Hex Backup Nut. See Accessories & Hardware section.  
\* Wire harness & cable assemblies offered only in Americas.





Dimension A: .185" (4.7mm) for NO model & .150" (3.8mm) for NC model.  
Dimension B Plunger Extension: .197" (5.0mm) for NO model & .161" (4.1mm) for NC model.

Panel Thickness  
.193" (4.9mm)



**SB221NO**  
Supplied with AT414 Black Cap

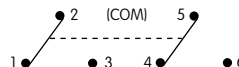
## DOUBLE POLE WITH SOLDER LUG \*

* UL & cULus recognized only when ordered with marking on switch (see General Specs)			Pushbutton Position/Connected Terminals ( ) = Momentary		Electrical Capacity (Resistive)	
Model	* Approvals UL cULus SP	Pole & Throw	Normal 	Down 	AC 125V	AC 250V
SB61A	✓ — ✓	DPDT	ON 2-3 5-6	(ON) 2-1 5-4	10A	5A
SB61B	— — —	DPDT	ON 2-3 5-6	(ON) 2-1 5-4	3A	1.5A
SB63A	— — —	DPDT	ON 2-3 5-6	(ON) or Lockdown ON 2-1 5-4	10A	5A

Lockdown for SB63A is achieved by actuating and then turning the button clockwise.

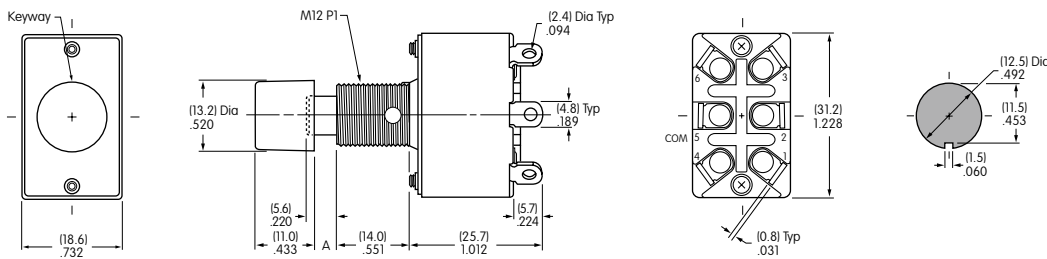
**Throw & Schematic:**

DPDT



Note: Terminal numbers are actually on the switch.

**Notes:** Standard Hardware: AT504M Knurled Nut, AT508 Lockwasher, AT527M Hex Backup Nut. See Accessories & Hardware section.  
\* Wire harness & cable assemblies offered only in Americas.



Dimension A: .169" (4.3mm) for SB61 model and .130" (3.3mm) for SB63 model.

Panel Thickness  
.193" (4.9mm)



**SB61A**  
Supplied with AT414 Black Cap

Toggles

Rockers

Pushbuttons

Illuminated PB

Programmable

Keylocks

Rotaries

Slides

Tactiles

Tilt

Touch

Indicators

Accessories

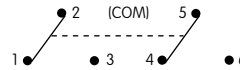
Supplement

### DOUBLE POLE WITH SOLDER LUG \*

* UL, cULus & CSA recognized only when ordered with marking on switch (see General Specs)			Pushbutton Position/Connected Terminals ( ) = Momentary		Electrical Capacity (Resistive)	
Model	* Approvals	Pole & Throw	Normal	Down	AC 125V	AC 250V
SB25		DPDT	ON	ON	15A	9A

Throw & Schematic:

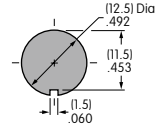
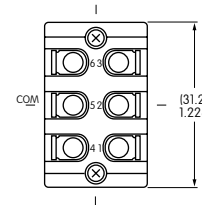
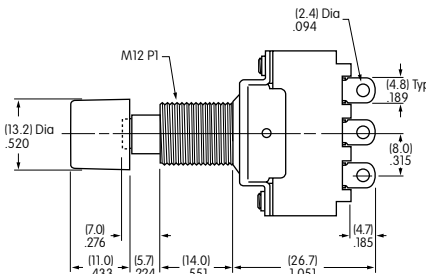
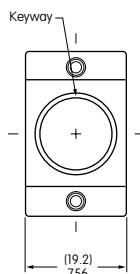
DPDT



Note: Terminal numbers are actually on the switch.

**Notes:** Standard Hardware: AT504M Knurled Nut, AT508 Lockwasher, AT527M Hex Backup Nut. See Accessories & Hardware section.

\* Wire harness & cable assemblies offered only in Americas.



**SB25**

Supplied with AT414 Black Cap

Panel Thickness .193" (4.9mm)

### SINGLE POLE WITH SOLDER LUG \*

* UL, cULus & CSA recognized only when ordered with marking on switch (see General Specs)			Pushbutton Position/Connected Terminals ( ) = Momentary		Electrical Capacity (Resistive)	
Model	* Approvals	Pole & Throw	Normal	Down	AC 125V	AC 250V
SB265		SPST	ON	OFF	6A	3A

Throw & Schematic:

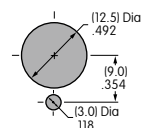
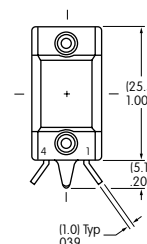
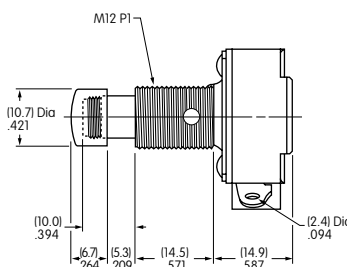
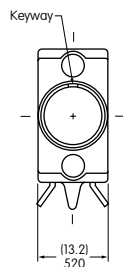
SPST



Note: Terminal numbers are actually on the switch.

**Notes:** Standard Hardware: AT504M Knurled Nut, AT508 Lockwasher, AT527M Hex Backup Nut. See Accessories & Hardware section.

\* Wire harness & cable assemblies offered only in Americas.



**SB265**

Supplied with Chrome Plated Brass Cap

Panel Thickness .291" (7.4mm)

## Данный компонент на территории Российской Федерации

### Вы можете приобрести в компании MosChip.

Для оперативного оформления запроса Вам необходимо перейти по данной ссылке:

<http://moschip.ru/get-element>

Вы можете разместить у нас заказ для любого Вашего проекта, будь то серийное производство или разработка единичного прибора.

В нашем ассортименте представлены ведущие мировые производители активных и пассивных электронных компонентов.

Нашей специализацией является поставка электронной компонентной базы двойного назначения, продукции таких производителей как XILINX, Intel (ex.ALTERA), Vicor, Microchip, Texas Instruments, Analog Devices, Mini-Circuits, Amphenol, Glenair.

Сотрудничество с глобальными дистрибьюторами электронных компонентов, предоставляет возможность заказывать и получать с международных складов практически любой перечень компонентов в оптимальные для Вас сроки.

На всех этапах разработки и производства наши партнеры могут получить квалифицированную поддержку опытных инженеров.

Система менеджмента качества компании отвечает требованиям в соответствии с ГОСТ Р ИСО 9001, ГОСТ РВ 0015-002 и ЭС РД 009

### Офис по работе с юридическими лицами:

105318, г.Москва, ул.Щербаковская д.3, офис 1107, 1118, ДЦ «Щербаковский»

Телефон: +7 495 668-12-70 (многоканальный)

Факс: +7 495 668-12-70 (доб.304)

E-mail: [info@moschip.ru](mailto:info@moschip.ru)

Skype отдела продаж:

moschip.ru

moschip.ru\_4

moschip.ru\_6

moschip.ru\_9