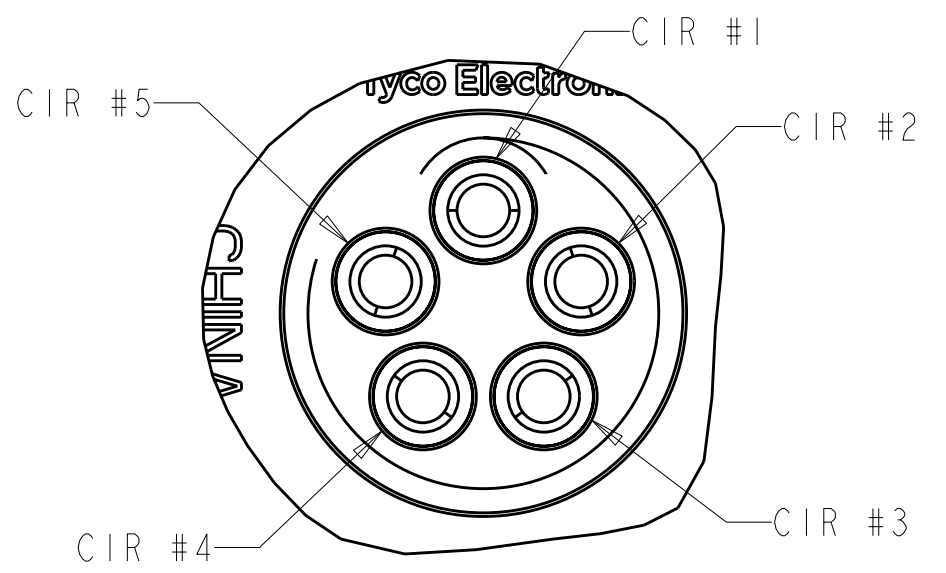
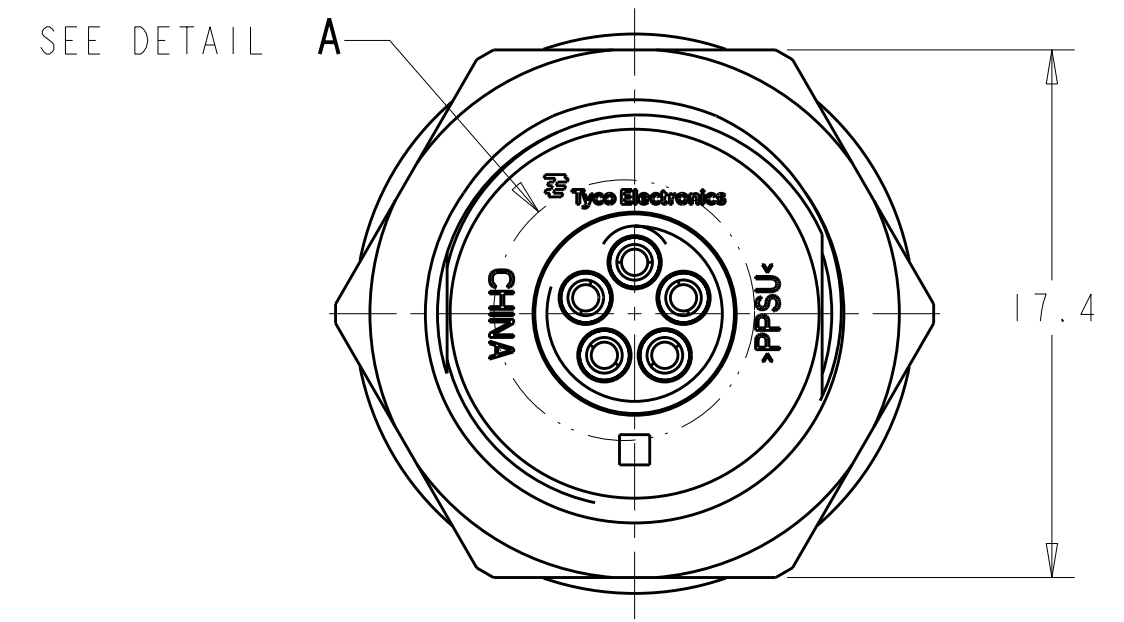
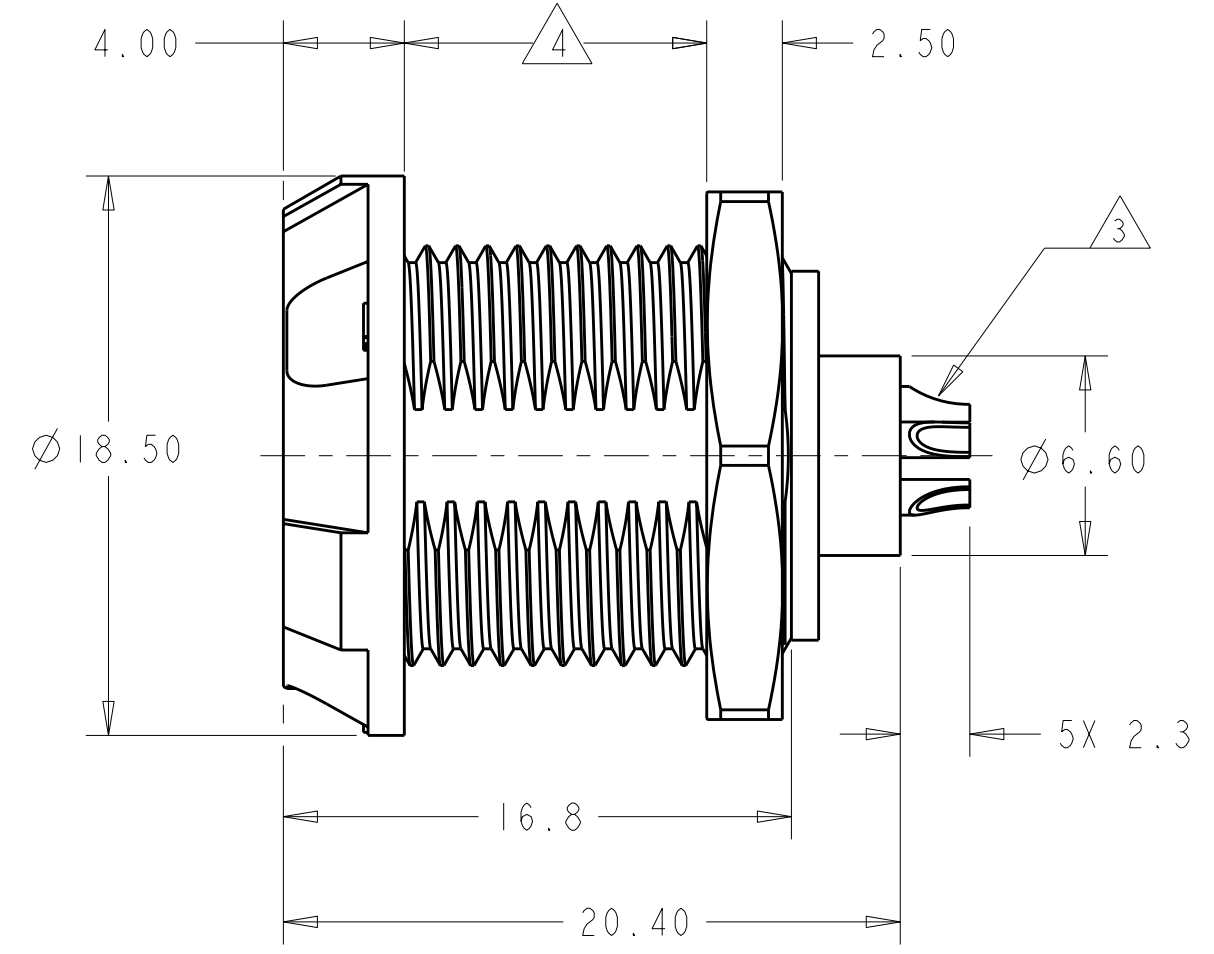


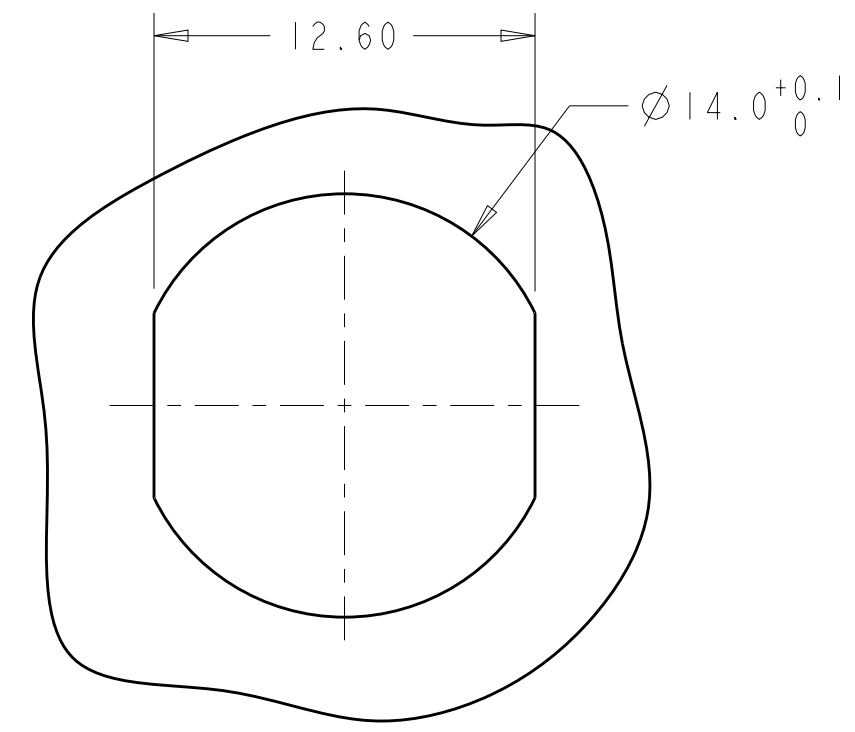
THIS DRAWING IS UNPUBLISHED. RELEASED FOR PUBLICATION 20
 © COPYRIGHT 20 BY - ALL RIGHTS RESERVED.

| LOC | DIST | REVISIONS | | | |
|-----|------|-------------|---------------------------|-----------|--------|
| P | LTR | DESCRIPTION | DATE | DWN | APVD |
| AD | 00 | B3 | REVISED PER ECO-11-005027 | 12MAR2011 | RK HMR |

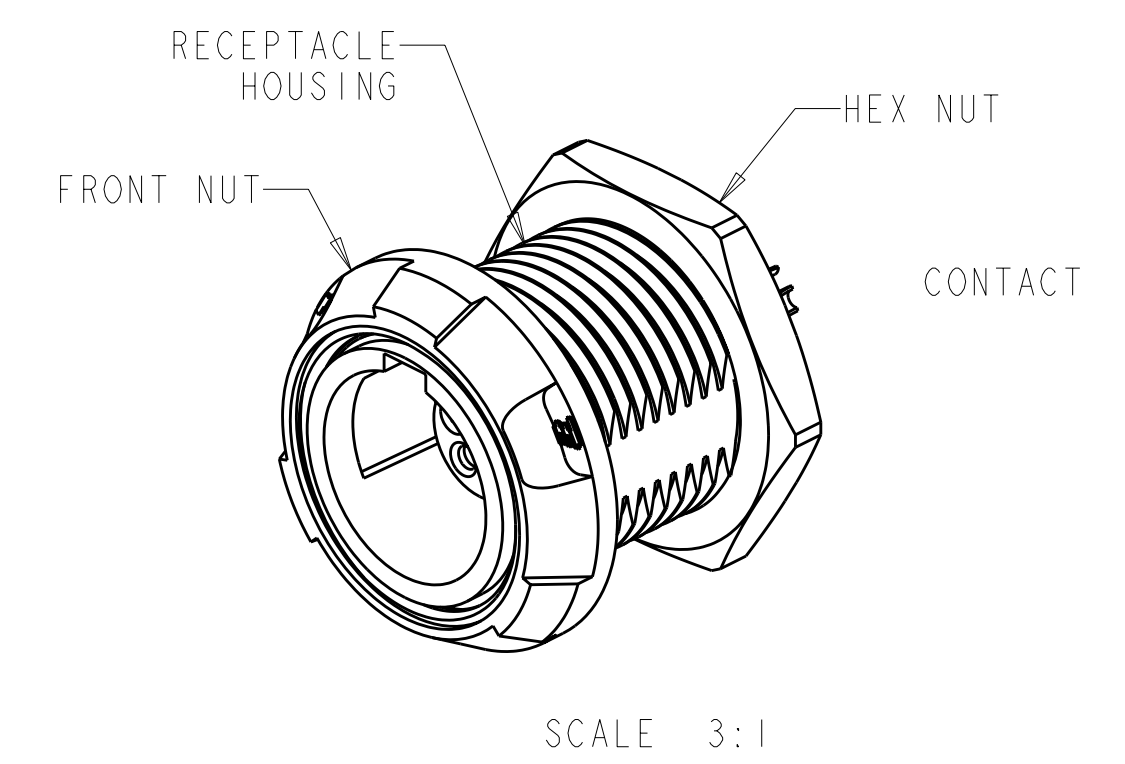
- 1 MATERIAL:
RECEPTACLE HOUSING, UL 94V-0 RATED THERMOPLASTIC, COLOR:SEE TABLE
CONTACT, PHOSPHOR BRONZE
FRONT NUT, UL 94V-0 RATED THERMOPLASTIC, COLOR:SEE TABLE
HEX NUT, BRASS
- 2 FINISH:
CONTACT, 0.75µm MIN. GOLD OVER NICKEL
HEX NUT, NICKEL
- 3 SOLDER TERMINATION CONTACT, 22 AWG WIRE MAX.
- 4 10.0 MAXIMUM PANEL THICKNESS
- 5. INSTALLS FROM FRONT OR REAR OF PANEL
- 6. INGRESS PROTECTION: IP50 (MATED)
- 7 PRELIMINARY PART NUMBER.



DETAIL A
CIRCUIT DESIGNATION VIEW
SCALE 8:1



SUGGESTED
PANEL CUTOUT
SCALE 4:1



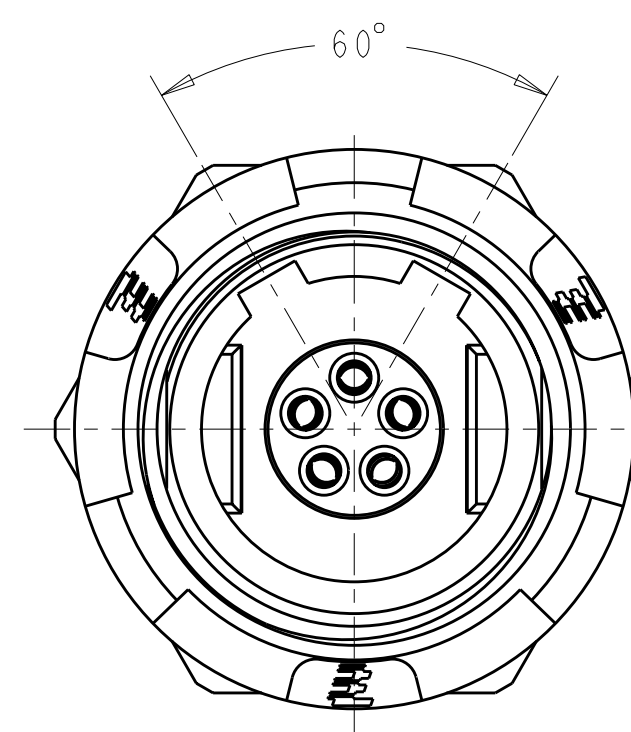
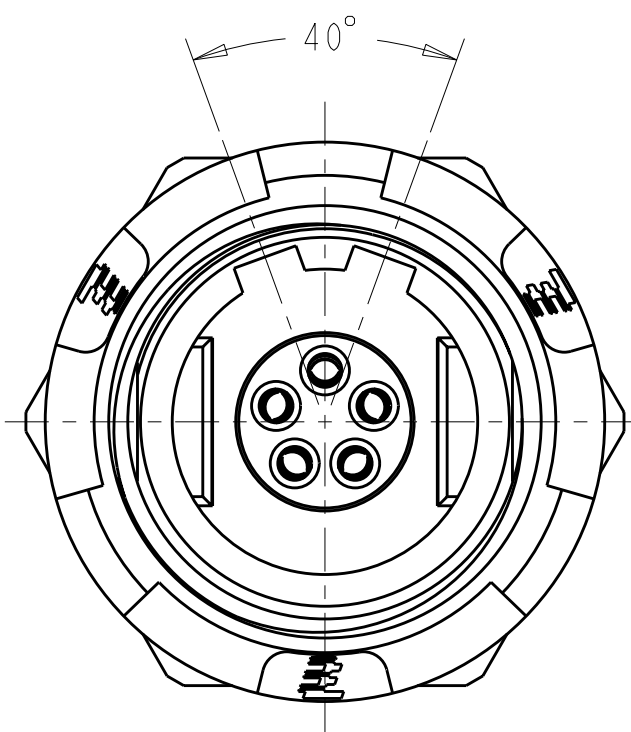
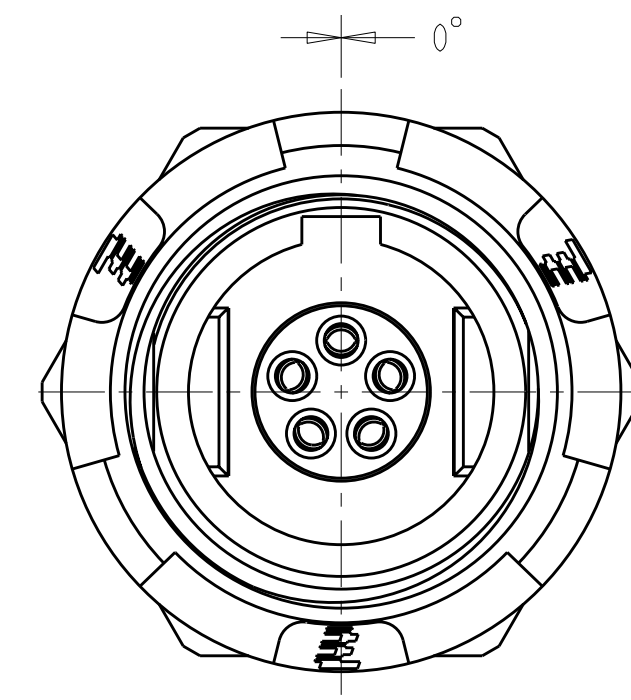
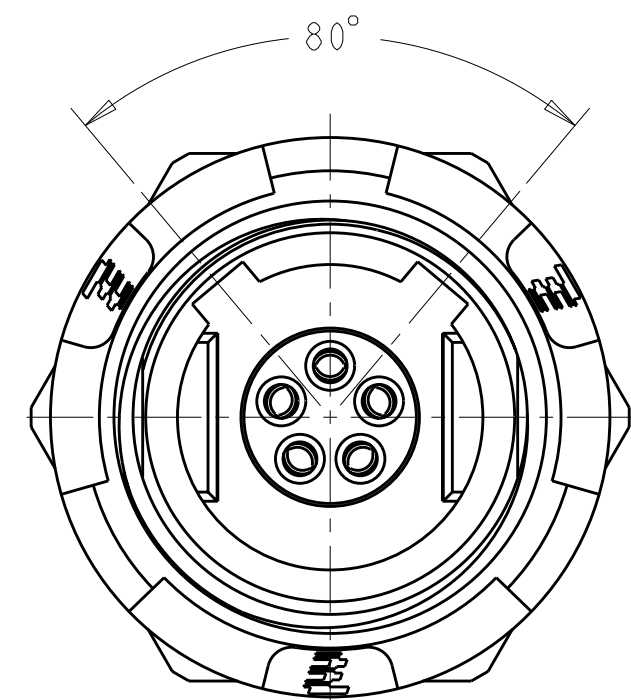
| | | | | | | | | | | | | | | | | | | |
|---|-------|--|--------------------------|--|------|-------|-------|-------|---|-------|---|--------|-----|--------|--|--------------------------|-----------|------------|
| THIS DRAWING IS A CONTROLLED DOCUMENT. | | DWN R.L. KOLLER 17 JUN 2005 | TE Connectivity | | | | | | | | | | | | | | | |
| | | CHK L. BREKOSKY 28 JUN 2005 | | | | | | | | | | | | | | | | |
| DIMENSIONS: mm | | TOLERANCES UNLESS OTHERWISE SPECIFIED: | | NAME RECEPTACLE ASSEMBLY PANEL MOUNT 5 POSITION | | | | | | | | | | | | | | |
| <table border="1"> <tr><td>0 PLC</td><td>±</td></tr> <tr><td>1 PLC</td><td>±0.2</td></tr> <tr><td>2 PLC</td><td>±0.08</td></tr> <tr><td>3 PLC</td><td>±</td></tr> <tr><td>4 PLC</td><td>±</td></tr> <tr><td>ANGLES</td><td>±1°</td></tr> <tr><td>FINISH</td><td></td></tr> </table> | | 0 PLC | ± | 1 PLC | ±0.2 | 2 PLC | ±0.08 | 3 PLC | ± | 4 PLC | ± | ANGLES | ±1° | FINISH | | PRODUCT SPEC 108-2249 | APVD - | SIZE A2 |
| 0 PLC | ± | | | | | | | | | | | | | | | | | |
| 1 PLC | ±0.2 | | | | | | | | | | | | | | | | | |
| 2 PLC | ±0.08 | | | | | | | | | | | | | | | | | |
| 3 PLC | ± | | | | | | | | | | | | | | | | | |
| 4 PLC | ± | | | | | | | | | | | | | | | | | |
| ANGLES | ±1° | | | | | | | | | | | | | | | | | |
| FINISH | | | | | | | | | | | | | | | | | | |
| MATERIAL 1 | | APPLICATION SPEC 114-13184 | RESTRICTED TO - | CAGE CODE A200779 | | | | | | | | | | | | | | |
| | | WEIGHT - | DRAWING NO. C-1877066 | SCALE 5:1 | | | | | | | | | | | | | | |
| | | CUSTOMER DRAWING | | SHEET 1 OF 2 REV B3 | | | | | | | | | | | | | | |

THIS DRAWING IS UNPUBLISHED. RELEASED FOR PUBLICATION 20
 © COPYRIGHT 20 BY - ALL RIGHTS RESERVED.

| LOC | DIST | REVISIONS | | | | |
|-----|------|-------------|------|-----|------|--|
| P | LTR | DESCRIPTION | DATE | DWN | APVD | |
| AD | 00 | SEE SHEET 1 | | | | |

| KEYING | FRONT NUT COLOR | HOUSING COLOR | PART NUMBER |
|--------|-----------------|---------------|-------------|
| 40° | BLUE | BLACK | 4-1877066-2 |
| | BLUE | GRAY | 4-1877066-1 |
| 40° | GREEN | BLACK | 4-1877066-0 |
| | GREEN | GRAY | 3-1877066-9 |
| 40° | YELLOW | BLACK | 3-1877066-8 |
| | YELLOW | GRAY | 3-1877066-7 |
| 40° | WHITE | BLACK | 3-1877066-6 |
| | WHITE | GRAY | 3-1877066-5 |
| 40° | RED | BLACK | 3-1877066-4 |
| | RED | GRAY | 3-1877066-3 |
| 40° | BLACK | BLACK | 3-1877066-2 |
| | BLACK | GRAY | 3-1877066-1 |
| 40° | GRAY | BLACK | 3-1877066-0 |
| | GRAY | GRAY | 2-1877066-9 |
| 80° | BLACK | GRAY | 2-1877066-8 |
| | GRAY | BLACK | 2-1877066-7 |
| 0° | BLACK | GRAY | 2-1877066-6 |
| | GRAY | BLACK | 2-1877066-5 |
| 80° | BLUE | BLACK | 2-1877066-4 |
| | BLUE | GRAY | 2-1877066-3 |
| 0° | BLUE | BLACK | 2-1877066-2 |
| | BLUE | GRAY | 2-1877066-1 |
| 80° | GREEN | BLACK | 2-1877066-0 |
| | GREEN | GRAY | 1-1877066-9 |
| 0° | GREEN | BLACK | 1-1877066-8 |
| | GREEN | GRAY | 1-1877066-7 |
| 80° | YELLOW | BLACK | 1-1877066-6 |
| | YELLOW | GRAY | 1-1877066-5 |
| 0° | YELLOW | BLACK | 1-1877066-4 |
| | YELLOW | GRAY | 1-1877066-3 |
| 80° | WHITE | BLACK | 1-1877066-2 |
| | WHITE | GRAY | 1-1877066-1 |
| 0° | WHITE | BLACK | 1-1877066-0 |
| | WHITE | GRAY | 1877066-9 |
| 80° | RED | BLACK | 1877066-8 |
| | RED | GRAY | 1877066-7 |
| 0° | RED | BLACK | 1877066-6 |
| | RED | GRAY | 1877066-5 |
| 80° | BLACK | BLACK | 1877066-4 |
| | GRAY | GRAY | 1877066-3 |
| 0° | BLACK | BLACK | 1877066-2 |
| | GRAY | GRAY | 1877066-1 |
| KEYING | FRONT NUT COLOR | HOUSING COLOR | PART NUMBER |

| KEYING | FRONT NUT COLOR | HOUSING COLOR | PART NUMBER |
|--------|-----------------|---------------|-------------|
| 60° | BLUE | BLACK | 5-1877066-6 |
| | BLUE | GRAY | 5-1877066-5 |
| 60° | GREEN | BLACK | 5-1877066-4 |
| | GREEN | GRAY | 5-1877066-3 |
| 60° | YELLOW | BLACK | 5-1877066-2 |
| | YELLOW | GRAY | 5-1877066-1 |
| 60° | WHITE | BLACK | 5-1877066-0 |
| | WHITE | GRAY | 4-1877066-9 |
| 60° | RED | BLACK | 4-1877066-8 |
| | RED | GRAY | 4-1877066-7 |
| 60° | BLACK | BLACK | 4-1877066-6 |
| | BLACK | GRAY | 4-1877066-5 |
| 60° | GRAY | BLACK | 4-1877066-4 |
| | GRAY | GRAY | 4-1877066-3 |
| KEYING | FRONT NUT COLOR | HOUSING COLOR | PART NUMBER |



| | | | | |
|--|--|----------------------------------|--|--------------------|
| THIS DRAWING IS A CONTROLLED DOCUMENT. | | DWN R.L.KOLLER 17 JUN 2005 | TE Connectivity | |
| | | CHK L.BREKOSKY 28 JUN 2005 | | |
| DIMENSIONS: mm | TOLERANCES UNLESS OTHERWISE SPECIFIED: 0 PLC ± 1 PLC ±0.2 2 PLC ±0.08 3 PLC ± 4 PLC ± | APVD - | NAME RECEPTACLE ASSEMBLY PANEL MOUNT 5 POSITION | |
| MATERIAL | FINISH | PRODUCT SPEC 108-2249 | SIZE A2 | CAGE CODE 00779 |
| | | APPLICATION SPEC 114-13184 | DRAWING NO 1877066 | RESTRICTED TO - |
| | | WEIGHT - | SCALE 5:1 SHEET 2 OF 2 REV B.3 | |
| | | CUSTOMER DRAWING | | |

Данный компонент на территории Российской Федерации

Вы можете приобрести в компании MosChip.

Для оперативного оформления запроса Вам необходимо перейти по данной ссылке:

<http://moschip.ru/get-element>

Вы можете разместить у нас заказ для любого Вашего проекта, будь то серийное производство или разработка единичного прибора.

В нашем ассортименте представлены ведущие мировые производители активных и пассивных электронных компонентов.

Нашей специализацией является поставка электронной компонентной базы двойного назначения, продукции таких производителей как XILINX, Intel (ex.ALTERA), Vicor, Microchip, Texas Instruments, Analog Devices, Mini-Circuits, Amphenol, Glenair.

Сотрудничество с глобальными дистрибьюторами электронных компонентов, предоставляет возможность заказывать и получать с международных складов практически любой перечень компонентов в оптимальные для Вас сроки.

На всех этапах разработки и производства наши партнеры могут получить квалифицированную поддержку опытных инженеров.

Система менеджмента качества компании отвечает требованиям в соответствии с ГОСТ Р ИСО 9001, ГОСТ РВ 0015-002 и ЭС РД 009

Офис по работе с юридическими лицами:

105318, г.Москва, ул.Щербаковская д.3, офис 1107, 1118, ДЦ «Щербаковский»

Телефон: +7 495 668-12-70 (многоканальный)

Факс: +7 495 668-12-70 (доб.304)

E-mail: info@moschip.ru

Skype отдела продаж:

moschip.ru

moschip.ru_4

moschip.ru_6

moschip.ru_9