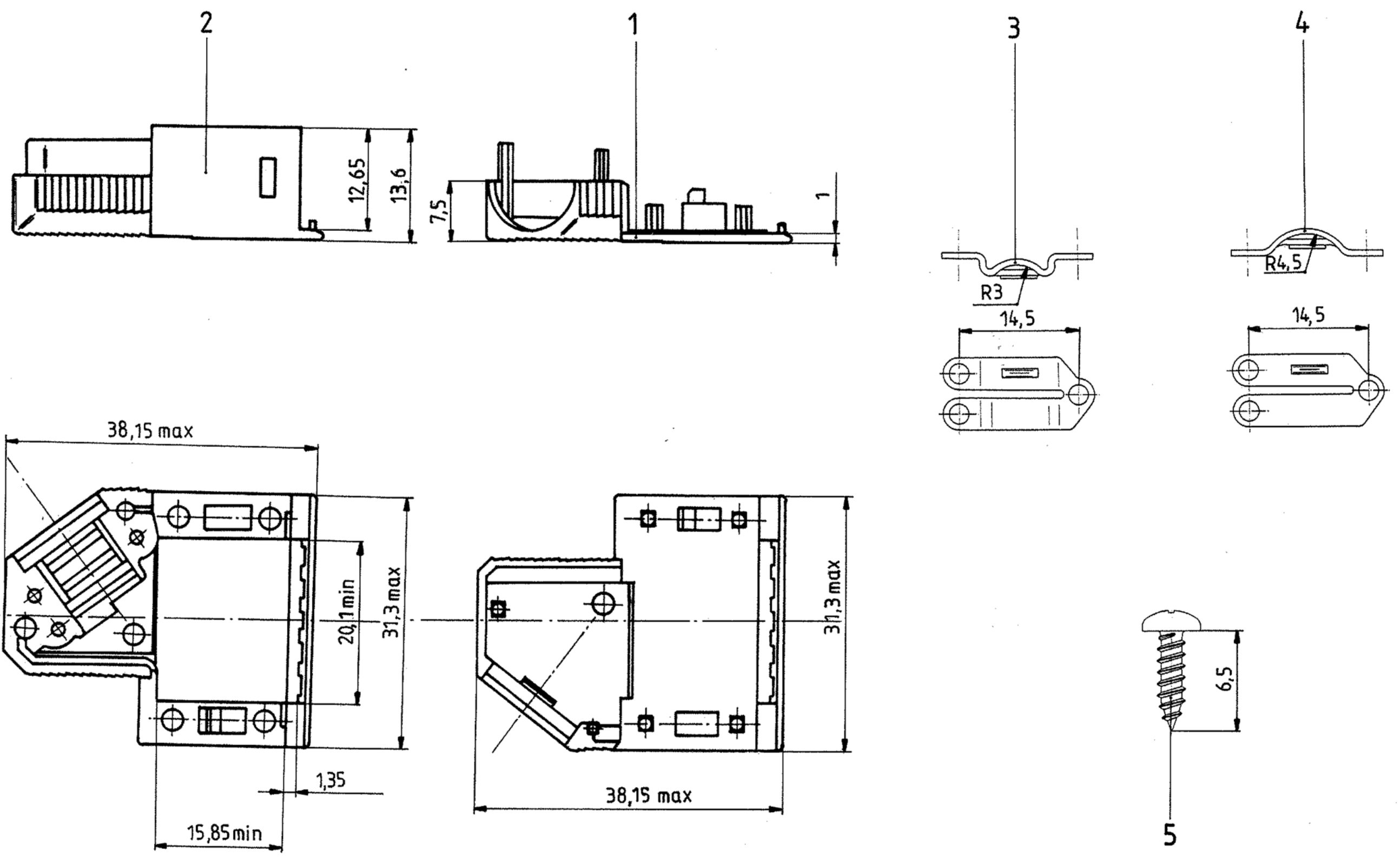


Sin nuestra expresa autorización, queda terminantemente prohibida la reproducción total o parcial de este documento, así como su uso indebido y/o su exhibición o comunicación a terceros. De los infractores se exigirá el correspondiente resarcimiento de daños y perjuicios. Se reserva todos los derechos para el caso de la concesión de patente de invención o el registro de Modelo Industrial.

Weitergabe sowie Vervielfältigung dieser Unterlage, Verwertung und Mitteilung ihres Inhalts nicht gestattet, soweit nicht ausdrücklich zugelassen. Zuwiderhandlungen verpflichten zu Schadenersatz. Alle Rechte für den Fall der Patenterteilung oder GM-Eintragung vorbehalten.

Copying of this document, and giving it to others and the use or communication of the contents thereof, are forbidden without express authority. Offenders are liable to the payment of damages. All rights are reserved in the event of the grant of a patent or the registration of a utility model or design.



P/N 9 contacts version: V42254-A6000-K*09

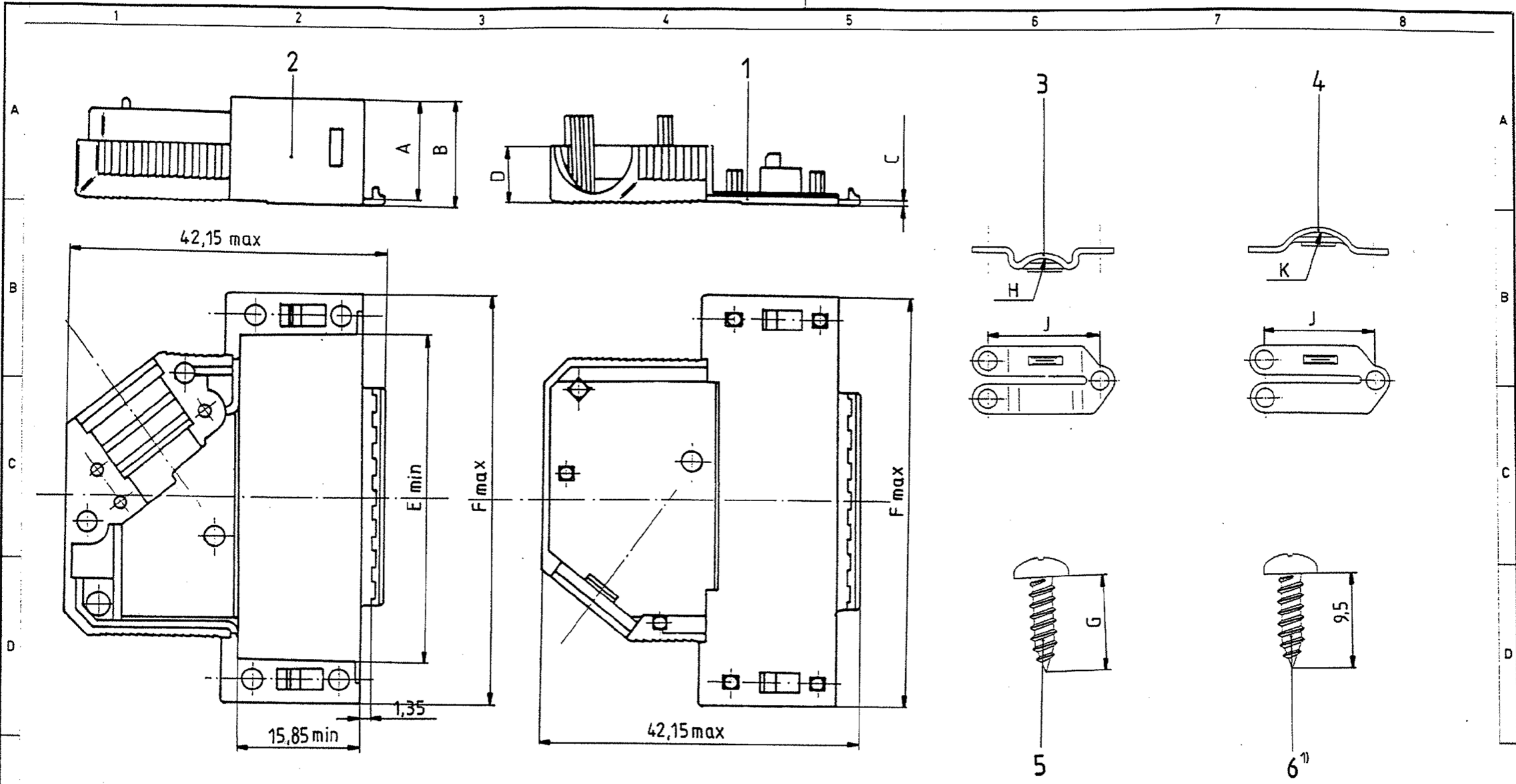
1 FOR PLASTIC PARTS (POS. 1 AND 2):
 - LENGTHS: DIN 16901/130,
 - ANGLES, FORMS: DIN 7168-m, R,
 FOR METAL PARTS (POS. 3 AND 4): DIN 7168-m,
 FOR SCREWS (POS. 5 AND 6): DIN 7981 F-H.

| | | | | | | | |
|------|---------------|----------|------|----------------------------------------|-------------|----------------------------------------------------|--|
| | | | | | | Maßstab | |
| | | | | | | Tyco Electronics Corporation Oostkamp - Belgium | |
| B | ECO-12-008266 | 24AUG12 | CV | DATE | 26.03.87 | D-Sub Housing unshielded 9 contacts | |
| A2 | ECR-10-017904 | 09DEC10 | RK | NAME | De Petter | | |
| A1 | ECR-09-024033 | 16-02-10 | RK | APP. | PD Com P&SE | | |
| A | WO00/7013 | 03.07.00 | KV | | | | |
| 03 | WB89/176 | 27.06.89 | VH | TOLERANCES UNLESS OTHERWISE SPECIFIED: | | V42254-A6000-K***-*-27 | |
| 02 | WB88/166 | 15.09.88 | | | | | |
| 01 | | 02.05.88 | | | | | |
| Zust | Mitteilung | Datum | Name | | | SHT. 1+ | |
| | | | | | | customer drawing number: C 1-1393738-0 | |
| | | | | | | OF 4 | |

da la reproducción total o parcial de este documento, así como su uso indebido y/o su exhibición o comunicación a terceros. De las infracciones se exigirá el correspondiente resarcimiento de daños y perjuicios. Se reserva todos los derechos para el caso de la existencia de patente de invención o el registro de Modelo Industrial.

Weitergabe sowie Vervielfältigung dieses Dokuments, Verwertung und Mitteilung desselben, insbesondere in irgendeiner Weise oder in irgendeiner Funktion, ist ausdrücklich untersagt. Alle Rechte sind vorbehalten. Falls ein Patentschutz besteht, ist die Verletzung vorbehalten.

Copying of this document, and giving it to others and the use or communication of the contents thereof, are forbidden without express authority. Offenders are liable to the payment of damages. All rights are reserved in the event of the grant of a patent or the registration of a utility model or design.



| housing | | dimension | | | | | | | | | |
|---------------|-----------------|-----------|------|-----|-----|-------|-------|-----|------|------|------|
| P/N | No. of contacts | A | B | C | D | E | F | G | H | J | K |
| V42254-A6000- | | | | | | | | | | | |
| K × 15 | 15 | | | | | 28,4 | 39,62 | | R3 | 14,5 | R4,5 |
| K × 25 | 25 | 13 | 14 | 1 | 7,5 | 42,2 | 53,52 | 6,5 | R4 | 16 | R5,5 |
| K × 37 | 37 | | | | | 58,65 | 69,8 | | | | |
| K × 50 | 50 | 16 | 17,5 | 1,5 | 9,5 | 56,18 | 67,41 | 9,5 | R5,5 | 20,6 | R7 |

1) only for the 37 contacts version drawn is the 25 contacts version

| | | | |
|-----------------------------------------------------|--|------------------------------------------------------------------|--|
| | | Tyco Electronics Corporation Oostkamp - Belgium | |
| | | D-Sub Housing unshielded 15 to 50 contacts | |
| DATE 26.03.87 NAME De Petter APP. PD Com P&SE | | TOLERANCES UNLESS OTHERWISE SPECIFIED: | |
| B SEE SHEET 1. Zust: Mittelung Datum Name | | V42254-A6000-K***-*-27 customer drawing number: C 1-1393738-0 | |
| | | SHT. 2- | |

V 4 2 2 5 4 - A 6 0 0 * - K * * *

Housing type

K plastic housing, unshielded

Marking and colour of the housing

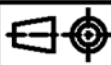
- | | |
|---|------------------------|
| 1 | TE-marking, grey |
| 2 | without marking, grey |
| 3 | TE-marking, black |
| 4 | without marking, black |

| Packaging | wire diameter | No. of contacts - housing size | | | | | |
|-----------|---------------|--------------------------------|---|---|---|-----------------|------------------------------|
| | | 0 | 1 | 2 | 3 | 4 ³⁾ | |
| set 1) | 9-14,5 | | | | | 09 | 9 contacts - housing size 1 |
| 200 2) | 9-12 | | | | | 15 | 15 contacts - housing size 2 |
| 200 2) | 12-14,5 | | | | | 25 | 25 contacts - housing size 3 |
| 200 2) | 6-11 | | | | | 37 | 37 contacts - housing size 4 |
| 200 2) | 9-14,5 | | | | | 50 | 50 contacts - housing size 5 |

1) per set, in blister
 - 9 and 15 contacts : 25
 - 25, 37 and 50 contacts : 15
 2) loose pieces, in cardboard : 200
 3) only for : - V42254-A6004-G1**
 - V42254-A6004-+4**



Tyco Electronics Corporation
Oostkamp - Belgium



LOC GW DIMENSIONS IN MM

SCALE WEIGHT

MATERIAL

DATE 26.03.87
 NAME De Petter
 DEP. PD Com P&SE
 EC
 TOLERANCE UNLESS SPECIFIED OTHERWISE

PART NAME
**D-Sub Housing
 unshielded**

PART NO. V42254-A6000-K***-*-27 SHT. 3+

REV. CHANGE ORDER DATE APP. customer drawing number: C 1-1393738-0 OF 4



THIS INFORMATION IS CONFIDENTIAL AND PROPRIETARY TO TYCO ELECTRONICS CORPORATION AND ITS WORLDWIDE SUBSIDIARIES AND AFFILIATES. IT MAY NOT BE DISCLOSED TO ANYONE, OTHER THAN TYCO ELECTRONICS PERSONNEL, WITHOUT WRITTEN AUTHORIZATION FROM TYCO ELECTRONICS CORPORATION, HARRISBURG, PENNSYLVANIA USA.

PROPRIETARY:

Active part numbers. Contact Tyco Electronics for other configuration availability

| Old Part Number | TE Part Number | |
|-------------------|----------------|----------------------------------------|
| V42254-A6000-K109 | 1-1393738-0 | |
| V42254-A6000-K115 | 1-1393738-1 | |
| V42254-A6000-K125 | 1-1393738-2 | |
| V42254-A6000-K137 | 1-1393738-3 | |
| V42254-A6000-K150 | 1-1393738-4 | OBSOLETE |
| V42254-A6000-K315 | 1-1393738-6 | |
| V42254-A6001-K125 | 4-1393738-7 | SUPERSEDED BY 1-1393738-2 |
| V42254-A6004-K109 | 7-1393738-3 | OBSOLETE |
| V42254-A6004-K115 | 7-1393738-4 | OBSOLETE |
| V42254-A6004-K137 | 7-1393738-6 | OBSOLETE |
| V42254-A6004-K150 | 7-1393738-7 | |
| V42254-A6004-K309 | 1-1393739-5 | SUPERSEDED BY 1-1393738-0, 5-1393738-3 |
| V42254-A6004-K315 | 7-1393738-8 | OBSOLETE |
| V42254-A6004-K325 | 1-1393739-6 | OBSOLETE |
| V42254-A6004-K337 | 1-1393739-7 | SUPERSEDED BY 1-1393738-3 |
| V42254-A6004-K350 | 1-1393739-8 | SUPERSEDED BY 1-1393738-4 |
| V42254-A6004-K409 | 7-1393738-9 | OBSOLETE |
| V42254-A6004-K415 | 8-1393738-0 | OBSOLETE |
| V42254-A6004-K425 | 8-1393738-1 | OBSOLETE |
| V42254-A6004-K450 | 8-1393738-2 | OBSOLETE |

THIS INFORMATION IS CONFIDENTIAL AND PROPRIETARY TO TYCO ELECTRONICS CORPORATION AND ITS WORLDWIDE SUBSIDIARIES AND AFFILIATES. IT MAY NOT BE DISCLOSED TO ANYONE, OTHER THAN TYCO ELECTRONICS PERSONNEL, WITHOUT WRITTEN AUTHORIZATION FROM TYCO ELECTRONICS CORPORATION, HARRISBURG, PENNSYLVANIA USA.

| | | | | | | | | | |
|------------------------------------------------------------------------------------|--------------|----------------------------------------------------|------|------------------------------------------------------------------------------------------------------|--|-----------------------------|--|----------|--|
|  | | Tyco Electronics Corporation Oostkamp - Belgium | |  DIMENSIONS IN MM | | SCALE | | WEIGHT | |
| LOC GW | | DATE 26.03.87 | | NAME De Petter | | PART NAME | | MATERIAL | |
| DEP. PD Com P&SE | | EC | | TOLERANCE UNLESS SPECIFIED OTHERWISE | | D-Sub Housing unshielded | | PART NO. | |
| B SEE SHEET 1 | | customer drawing number: C 1-1393738-0 | | V42254-A6000-K***-*-27 | | SHT. 4 | | OF 4 | |
| REV. | CHANGE ORDER | DATE | APP. | | | | | | |
| 1 | | | | 2 | | 3 | | 4 | |

PROPRIETARY:

Данный компонент на территории Российской Федерации

Вы можете приобрести в компании MosChip.

Для оперативного оформления запроса Вам необходимо перейти по данной ссылке:

<http://moschip.ru/get-element>

Вы можете разместить у нас заказ для любого Вашего проекта, будь то серийное производство или разработка единичного прибора.

В нашем ассортименте представлены ведущие мировые производители активных и пассивных электронных компонентов.

Нашей специализацией является поставка электронной компонентной базы двойного назначения, продукции таких производителей как XILINX, Intel (ex.ALTERA), Vicor, Microchip, Texas Instruments, Analog Devices, Mini-Circuits, Amphenol, Glenair.

Сотрудничество с глобальными дистрибьюторами электронных компонентов, предоставляет возможность заказывать и получать с международных складов практически любой перечень компонентов в оптимальные для Вас сроки.

На всех этапах разработки и производства наши партнеры могут получить квалифицированную поддержку опытных инженеров.

Система менеджмента качества компании отвечает требованиям в соответствии с ГОСТ Р ИСО 9001, ГОСТ РВ 0015-002 и ЭС РД 009

Офис по работе с юридическими лицами:

105318, г.Москва, ул.Щербаковская д.3, офис 1107, 1118, ДЦ «Щербаковский»

Телефон: +7 495 668-12-70 (многоканальный)

Факс: +7 495 668-12-70 (доб.304)

E-mail: info@moschip.ru

Skype отдела продаж:

moschip.ru

moschip.ru_4

moschip.ru_6

moschip.ru_9