

**USC SERIES**

85°C Standard

\*Load Life : 85°C 3000 hours.



**◆ SPECIFICATIONS**

| Items  | Characteristics  |            |                     |                                   |                    |  |                 |                                    |         |         |               |         |                  |               |      |      |      |      |      |      |      |      |      |      |      |  |
|--|--|------------|---------------------|-----------------------------------|--------------------|--|-----------------|------------------------------------|---------|---------|---------------|---------|------------------|---------------|------|------|------|------|------|------|------|------|------|------|------|--|
| Category Temperature Range                     | -40~+85°C  | -25~+85°C  |                     |                                   |                    |  |                 |                                    |         |         |               |         |                  |               |      |      |      |      |      |      |      |      |      |      |      |  |
| Rated Voltage Range                            | 10~250Vdc  | 315~450Vdc |                     |                                   |                    |  |                 |                                    |         |         |               |         |                  |               |      |      |      |      |      |      |      |      |      |      |      |  |
| Capacitance Tolerance                          | ±20% (20°C, 120Hz)   |            |                     |                                   |                    |  |                 |                                    |         |         |               |         |                  |               |      |      |      |      |      |      |      |      |      |      |      |  |
| Leakage Current(MAX)                           | $I=3\sqrt{CV}$ (After 5 minutes application of rated voltage)<br>I=Leakage Current(µA)      C=Capacitance(µF)      V=Rated Voltage(Vdc)  |            |                     |                                   |                    |  |                 |                                    |         |         |               |         |                  |               |      |      |      |      |      |      |      |      |      |      |      |  |
| Dissipation Factor(MAX) (tanδ)                 | <table border="1"> <thead> <tr> <th>Rated Voltage (Vdc)</th> <th>10</th> <th>16</th> <th>25</th> <th>35</th> <th>50</th> <th>63</th> <th>80</th> <th>100</th> <th>160~400</th> <th>420~450</th> <th>(20°C, 120Hz)</th> </tr> </thead> <tbody> <tr> <td>tanδ</td> <td>0.55</td> <td>0.50</td> <td>0.45</td> <td>0.40</td> <td>0.35</td> <td>0.30</td> <td>0.25</td> <td>0.20</td> <td>0.15</td> <td>0.25</td> <td></td> </tr> </tbody> </table> |            | Rated Voltage (Vdc) | 10                                | 16                 | 25   | 35              | 50                                 | 63      | 80      | 100           | 160~400 | 420~450          | (20°C, 120Hz) | tanδ | 0.55 | 0.50 | 0.45 | 0.40 | 0.35 | 0.30 | 0.25 | 0.20 | 0.15 | 0.25 |  |
| Rated Voltage (Vdc)                            | 10   | 16         | 25                  | 35                                | 50                 | 63   | 80              | 100                                | 160~400 | 420~450 | (20°C, 120Hz) |         |                  |               |      |      |      |      |      |      |      |      |      |      |      |  |
| tanδ   | 0.55   | 0.50       | 0.45                | 0.40                              | 0.35               | 0.30                                       | 0.25            | 0.20                               | 0.15    | 0.25    |               |         |                  |               |      |      |      |      |      |      |      |      |      |      |      |  |
| Endurance                                      | After applying rated voltage with rated ripple current for 3000 hours at 85°C, the capacitors shall meet the following requirements. <table border="1"> <tbody> <tr> <td>Capacitance Change</td> <td>Within ±20% of the initial value.</td> </tr> <tr> <td>Dissipation Factor</td> <td>Not more than 200% of the specified value.</td> </tr> <tr> <td>Leakage Current</td> <td>Not more than the specified value.</td> </tr> </tbody> </table> |            | Capacitance Change  | Within ±20% of the initial value. | Dissipation Factor | Not more than 200% of the specified value. | Leakage Current | Not more than the specified value. |         |         |               |         |                  |               |      |      |      |      |      |      |      |      |      |      |      |  |
| Capacitance Change                             | Within ±20% of the initial value.  |            |                     |                                   |                    |  |                 |                                    |         |         |               |         |                  |               |      |      |      |      |      |      |      |      |      |      |      |  |
| Dissipation Factor                             | Not more than 200% of the specified value.   |            |                     |                                   |                    |  |                 |                                    |         |         |               |         |                  |               |      |      |      |      |      |      |      |      |      |      |      |  |
| Leakage Current                                | Not more than the specified value.   |            |                     |                                   |                    |  |                 |                                    |         |         |               |         |                  |               |      |      |      |      |      |      |      |      |      |      |      |  |
| Low Temperature Stability Impedance Ratio(MAX) | <table border="1"> <thead> <tr> <th>Rated Voltage (Vdc)</th> <th>10~250</th> <th>315~400</th> <th>420~450</th> <th>(120Hz)</th> </tr> </thead> <tbody> <tr> <td>Z(-25°C)/Z(20°C)</td> <td>3</td> <td>8</td> <td>12</td> <td></td> </tr> <tr> <td>Z(-40°C)/Z(20°C)</td> <td>12</td> <td>-</td> <td>-</td> <td></td> </tr> </tbody> </table>   |            | Rated Voltage (Vdc) | 10~250                            | 315~400            | 420~450                                    | (120Hz)         | Z(-25°C)/Z(20°C)                   | 3       | 8       | 12            |         | Z(-40°C)/Z(20°C) | 12            | -    | -    |      |      |      |      |      |      |      |      |      |  |
| Rated Voltage (Vdc)                            | 10~250   | 315~400    | 420~450             | (120Hz)                           |                    |  |                 |                                    |         |         |               |         |                  |               |      |      |      |      |      |      |      |      |      |      |      |  |
| Z(-25°C)/Z(20°C)                               | 3  | 8          | 12                  |                                   |                    |  |                 |                                    |         |         |               |         |                  |               |      |      |      |      |      |      |      |      |      |      |      |  |
| Z(-40°C)/Z(20°C)                               | 12   | -          | -                   |                                   |                    |  |                 |                                    |         |         |               |         |                  |               |      |      |      |      |      |      |      |      |      |      |      |  |

**◆ MULTIPLIER FOR RIPPLE CURRENT**

| Frequency (Hz) |            | 60(50) | 120(100) | 300  | 500  | 1k   | 10k≦ |
|----------------|------------|--------|----------|------|------|------|------|
| Coefficient    | 10~100Vdc  | 0.90   | 1.00     | 1.03 | 1.05 | 1.10 | 1.15 |
|                | 160~250Vdc | 0.80   | 1.00     | 1.15 | 1.20 | 1.30 | 1.50 |
|                | 315~450Vdc | 0.80   | 1.00     | 1.15 | 1.20 | 1.25 | 1.40 |

**◆ OPTION**

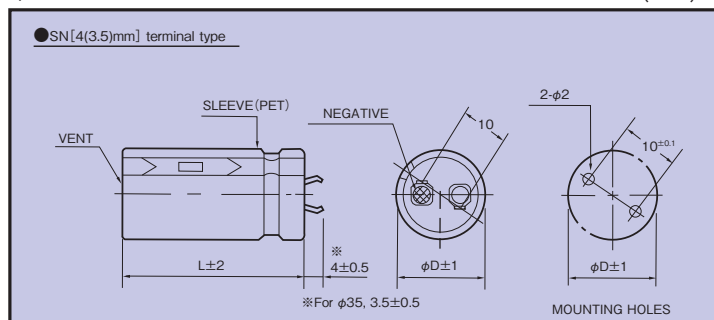
|                          | Code |
|--------------------------|------|
| PET Sleeve without plate | EFC  |

**◆ PART NUMBER**

□□□ USC □□□□□ M □□□ SN DXL  
 Rated Voltage      Series      Capacitance      Capacitance Tolerance      Option      Terminal Code      Case Size

**◆ DIMENSIONS**

(mm)



**◆ STANDARD SIZE**

| Cap<br>( $\mu$ F) | Vdc<br>$\phi$ D | 10        |           |           |           |           | 16        |           |           |           |           |  |
|-------------------|-----------------|-----------|-----------|-----------|-----------|-----------|-----------|-----------|-----------|-----------|-----------|--|
|                   |                 | $\phi$ 20 | $\phi$ 22 | $\phi$ 25 | $\phi$ 30 | $\phi$ 35 | $\phi$ 20 | $\phi$ 22 | $\phi$ 25 | $\phi$ 30 | $\phi$ 35 |  |
| 8200              |                 |           |           |           |           |           | 20x25     | 2.56      |           |           |           |  |
| 10000             |                 | 20x25     | 2.22      |           |           |           | 20x30     | 2.85      | 22x25     | 2.85      |           |  |
| 12000             |                 | 20x30     | 2.44      | 22x25     | 2.41      |           | 20x35     | 3.20      | 22x30     | 3.20      |           |  |
| 15000             |                 | 20x35     | 2.90      | 22x30     | 2.88      | 25x25     | 2.88      |           |           |           |           |  |
| 18000             |                 | 20x40     | 3.31      | 22x35     | 3.22      | 25x30     | 3.08      |           |           |           |           |  |
| 22000             |                 |           |           | 22x40     | 3.79      | 25x30     | 3.66      | 30x25     | 3.58      |           |           |  |
| 27000             |                 |           |           | 22x45     | 4.04      | 25x35     | 4.04      | 30x30     | 3.99      |           |           |  |
| 33000             |                 |           |           | 22x50     | 4.58      | 25x40     | 4.56      | 30x30     | 4.58      |           |           |  |
| 39000             |                 |           |           |           |           | 25x45     | 5.29      | 30x35     | 5.21      | 35x30     | 5.05      |  |
| 47000             |                 |           |           |           |           | 25x50     | 5.78      | 30x40     | 5.78      | 35x35     | 5.55      |  |
| 56000             |                 |           |           |           |           |           |           | 30x45     | 6.59      | 35x35     | 6.40      |  |
| 68000             |                 |           |           |           |           |           |           | 30x50     | 7.50      | 35x40     | 7.48      |  |
| 82000             |                 |           |           |           |           |           |           |           |           | 35x50     | 8.50      |  |

| Cap<br>( $\mu$ F) | Vdc<br>$\phi$ D | 25        |           |           |           |           | 35        |           |           |           |           |      |
|-------------------|-----------------|-----------|-----------|-----------|-----------|-----------|-----------|-----------|-----------|-----------|-----------|------|
|                   |                 | $\phi$ 20 | $\phi$ 22 | $\phi$ 25 | $\phi$ 30 | $\phi$ 35 | $\phi$ 20 | $\phi$ 22 | $\phi$ 25 | $\phi$ 30 | $\phi$ 35 |      |
| 3300              |                 |           |           |           |           |           | 20x25     | 2.14      |           |           |           |      |
| 3900              |                 |           |           |           |           |           | 20x30     | 2.28      |           |           |           |      |
| 4700              |                 |           |           |           |           |           | 20x35     | 2.46      | 22x25     | 2.46      |           |      |
| 5600              |                 | 20x25     | 2.33      |           |           |           | 20x40     | 2.79      | 22x30     | 2.79      | 25x25     | 2.79 |
| 6800              |                 | 20x30     | 2.56      | 22x25     | 2.56      |           |           |           | 22x35     | 2.89      | 25x30     | 2.89 |
| 8200              |                 | 20x35     | 2.91      | 22x30     | 2.91      |           |           |           | 22x40     | 3.47      | 25x30     | 3.47 |
| 10000             |                 | 20x40     | 3.18      | 22x35     | 3.18      | 25x25     | 3.18      |           | 22x45     | 3.59      | 25x35     | 3.59 |
| 12000             |                 |           |           | 22x40     | 3.53      | 25x30     | 3.53      |           | 22x50     | 4.51      | 25x40     | 4.51 |
| 15000             |                 |           |           | 22x45     | 4.08      | 25x35     | 4.08      | 30x25     | 4.08      |           | 25x45     | 4.80 |
| 18000             |                 |           |           | 22x50     | 4.68      | 25x40     | 4.68      | 30x30     | 4.68      |           | 30x35     | 4.80 |
| 22000             |                 |           |           |           |           | 25x45     | 5.19      | 30x35     | 5.19      | 35x30     | 5.19      |      |
| 27000             |                 |           |           |           |           | 25x50     | 6.02      | 30x40     | 6.02      | 35x35     | 6.02      |      |
| 33000             |                 |           |           |           |           |           |           | 30x45     | 6.75      | 35x40     | 6.75      |      |
| 39000             |                 |           |           |           |           |           |           | 30x50     | 7.56      | 35x45     | 7.56      |      |
| 47000             |                 |           |           |           |           |           |           |           |           | 35x50     | 8.30      |      |

| Cap<br>( $\mu$ F) | Vdc<br>$\phi$ D | 50        |           |           |           |           | 63        |           |           |           |           |      |
|-------------------|-----------------|-----------|-----------|-----------|-----------|-----------|-----------|-----------|-----------|-----------|-----------|------|
|                   |                 | $\phi$ 20 | $\phi$ 22 | $\phi$ 25 | $\phi$ 30 | $\phi$ 35 | $\phi$ 20 | $\phi$ 22 | $\phi$ 25 | $\phi$ 30 | $\phi$ 35 |      |
| 1500              |                 |           |           |           |           |           | 20x25     | 1.69      |           |           |           |      |
| 1800              |                 |           |           |           |           |           | 20x30     | 2.04      | 22x25     | 2.04      |           |      |
| 2200              |                 | 20x25     | 2.07      |           |           |           | 20x35     | 2.40      | 22x30     | 2.40      |           |      |
| 2700              |                 | 20x30     | 2.21      | 22x25     | 2.21      |           |           |           | 22x40     | 2.52      | 25x25     | 2.52 |
| 3300              |                 | 20x35     | 2.41      | 22x30     | 2.41      |           |           |           | 22x40     | 2.69      | 25x30     | 2.69 |
| 3900              |                 | 20x40     | 2.72      | 22x30     | 2.72      | 25x25     | 2.72      |           | 22x45     | 3.10      | 25x35     | 3.10 |
| 4700              |                 |           |           | 22x35     | 3.01      | 25x30     | 3.01      |           | 22x50     | 3.49      | 25x40     | 3.49 |
| 5600              |                 |           |           | 22x40     | 3.43      | 25x35     | 3.43      | 30x25     | 3.43      |           | 25x45     | 3.81 |
| 6800              |                 |           |           | 22x45     | 3.94      | 25x35     | 3.94      | 30x30     | 3.94      |           | 25x50     | 4.41 |
| 8200              |                 |           |           |           |           | 25x40     | 4.37      | 30x35     | 4.37      |           | 30x45     | 4.90 |
| 10000             |                 |           |           |           |           | 25x50     | 5.02      | 30x40     | 5.02      | 35x30     | 5.02      |      |
| 12000             |                 |           |           |           |           |           |           | 30x45     | 5.60      | 35x35     | 5.60      |      |
| 15000             |                 |           |           |           |           |           |           | 30x50     | 6.44      | 35x40     | 6.44      |      |
| 18000             |                 |           |           |           |           |           |           |           |           | 35x45     | 6.71      |      |

| Cap<br>( $\mu$ F) | Vdc<br>$\phi$ D | 80        |           |           |           |           | 100       |           |           |           |           |      |
|-------------------|-----------------|-----------|-----------|-----------|-----------|-----------|-----------|-----------|-----------|-----------|-----------|------|
|                   |                 | $\phi$ 20 | $\phi$ 22 | $\phi$ 25 | $\phi$ 30 | $\phi$ 35 | $\phi$ 20 | $\phi$ 22 | $\phi$ 25 | $\phi$ 30 | $\phi$ 35 |      |
| 680               |                 |           |           |           |           |           | 20x25     | 1.66      |           |           |           |      |
| 820               |                 |           |           |           |           |           | 20x30     | 1.86      | 22x25     | 1.86      |           |      |
| 1000              |                 | 20x25     | 1.56      |           |           |           | 20x30     | 2.02      | 22x30     | 2.02      |           |      |
| 1200              |                 | 20x30     | 1.80      | 22x25     | 1.80      |           |           |           | 22x30     | 2.12      | 25x25     | 2.12 |
| 1500              |                 | 20x30     | 2.10      | 22x30     | 2.10      |           |           |           | 22x30     | 2.12      | 25x25     | 2.12 |
| 1800              |                 | 20x35     | 2.30      | 22x30     | 2.30      | 25x25     | 2.30      |           | 22x40     | 2.45      | 25x30     | 2.45 |
| 2200              |                 | 20x40     | 2.53      | 22x35     | 2.53      | 25x30     | 2.53      |           | 22x45     | 2.77      | 25x30     | 2.77 |
| 2700              |                 |           |           | 22x40     | 2.93      | 25x35     | 2.93      | 30x25     | 2.93      |           | 25x40     | 3.61 |
| 3300              |                 |           |           | 22x45     | 3.25      | 25x35     | 3.25      | 30x30     | 3.25      |           | 25x50     | 4.06 |
| 3900              |                 |           |           |           |           | 25x40     | 3.62      | 30x35     | 3.62      |           | 30x40     | 4.60 |
| 4700              |                 |           |           |           |           | 25x45     | 4.28      | 30x40     | 4.28      | 35x30     | 4.28      |      |
| 5600              |                 |           |           |           |           |           |           | 30x45     | 4.55      | 35x35     | 4.55      |      |
| 6800              |                 |           |           |           |           |           |           | 30x45     | 5.83      | 35x40     | 5.83      |      |
| 8200              |                 |           |           |           |           |           |           |           |           | 35x45     | 6.40      |      |
| 10000             |                 |           |           |           |           |           |           |           |           | 35x50     | 7.03      |      |

↑ Ripple Current (A r.m.s./120Hz, 85°C)  
 ↑ Case Size  $\phi$ D×L(mm)

**◆ STANDARD SIZE**

| Cap<br>( $\mu$ F) | Vdc<br>$\phi$ D | 160        |            |            |            |            | 180        |            |            |            |            |  |
|-------------------|-----------------|------------|------------|------------|------------|------------|------------|------------|------------|------------|------------|--|
|                   |                 | $\phi$ 20  | $\phi$ 22  | $\phi$ 25  | $\phi$ 30  | $\phi$ 35  | $\phi$ 20  | $\phi$ 22  | $\phi$ 25  | $\phi$ 30  | $\phi$ 35  |  |
| 270               |                 | 20x25:1.28 |            |            |            |            | 20x25:1.29 |            |            |            |            |  |
| 330               |                 | 20x25:1.55 |            |            |            |            | 20x30:1.77 | 22x25:1.49 |            |            |            |  |
| 390               |                 | 20x30:1.63 | 22x25:1.63 |            |            |            | 20x30:1.84 | 22x25:1.84 |            |            |            |  |
| 470               |                 | 20x30:1.90 | 22x30:1.86 | 25x25:1.86 |            |            | 20x35:1.91 | 22x30:1.91 | 25x25:2.08 |            |            |  |
| 560               |                 | 20x35:2.14 | 22x30:2.15 | 25x25:2.15 |            |            | 20x40:2.15 | 22x35:2.25 | 25x25:2.25 |            |            |  |
| 680               |                 | 20x40:2.35 | 22x35:2.35 | 25x30:2.33 | 30x25:2.33 |            |            | 22x35:2.48 | 25x30:2.50 | 30x25:2.46 |            |  |
| 820               |                 |            | 22x40:2.68 | 25x30:2.65 | 30x25:2.64 |            |            | 22x40:2.86 | 25x35:2.75 | 30x25:2.69 |            |  |
| 1000              |                 |            | 22x45:3.02 | 25x35:3.00 | 30x30:2.96 |            |            | 22x50:3.10 | 25x40:3.06 | 30x30:3.10 |            |  |
| 1200              |                 |            |            | 25x40:3.43 | 30x30:3.41 | 35x30:3.40 |            |            | 25x45:3.63 | 30x35:3.55 | 35x30:3.49 |  |
| 1500              |                 |            |            | 25x50:3.96 | 30x35:3.96 | 35x30:3.94 |            |            |            | 30x40:4.10 | 35x35:4.02 |  |
| 1800              |                 |            |            |            | 30x40:4.31 | 35x35:4.28 |            |            |            | 30x45:4.55 | 35x35:4.54 |  |
| 2200              |                 |            |            |            | 30x50:4.96 | 35x40:4.96 |            |            |            |            | 35x40:4.83 |  |
| 2700              |                 |            |            |            |            | 35x45:5.57 |            |            |            |            | 35x50:5.30 |  |

| Cap<br>( $\mu$ F) | Vdc<br>$\phi$ D | 200        |            |            |            |            | 220        |            |            |            |            |  |
|-------------------|-----------------|------------|------------|------------|------------|------------|------------|------------|------------|------------|------------|--|
|                   |                 | $\phi$ 20  | $\phi$ 22  | $\phi$ 25  | $\phi$ 30  | $\phi$ 35  | $\phi$ 20  | $\phi$ 22  | $\phi$ 25  | $\phi$ 30  | $\phi$ 35  |  |
| 220               |                 | 20x25:1.19 |            |            |            |            | 20x25:1.23 |            |            |            |            |  |
| 270               |                 | 20x25:1.39 | 22x25:1.37 |            |            |            | 20x30:1.46 | 22x25:1.42 |            |            |            |  |
| 330               |                 | 20x30:1.56 | 22x25:1.51 |            |            |            | 20x35:1.64 | 22x30:1.59 |            |            |            |  |
| 390               |                 | 20x35:1.74 | 22x30:1.73 | 25x25:1.71 |            |            | 20x35:1.79 | 22x30:1.80 | 25x25:1.75 |            |            |  |
| 470               |                 | 20x35:2.03 | 22x30:1.97 | 25x25:1.95 |            |            | 20x40:2.12 | 22x35:2.06 | 25x30:2.08 |            |            |  |
| 560               |                 | 20x40:2.18 | 22x35:2.18 | 25x30:2.15 | 30x25:2.15 |            |            | 22x40:2.22 | 25x35:2.38 | 30x25:2.18 |            |  |
| 680               |                 |            | 22x40:2.48 | 25x30:2.48 | 30x25:2.48 |            |            | 22x45:2.62 | 25x35:2.56 | 30x30:2.52 |            |  |
| 820               |                 |            | 22x45:2.81 | 25x35:2.79 | 30x30:2.75 |            |            |            | 25x45:2.91 | 30x35:2.84 | 35x30:2.79 |  |
| 1000              |                 |            | 22x50:3.28 | 25x40:3.28 | 30x35:3.15 |            |            |            |            | 30x35:3.36 | 35x30:3.29 |  |
| 1200              |                 |            |            | 25x45:3.61 | 30x35:3.61 | 35x30:3.57 |            |            |            | 30x40:3.72 | 35x35:3.68 |  |
| 1500              |                 |            |            |            | 30x45:4.13 | 35x35:4.06 |            |            |            | 30x50:4.18 | 35x40:4.10 |  |
| 1800              |                 |            |            |            | 30x50:4.60 | 35x40:4.59 |            |            |            |            | 35x45:4.52 |  |
| 2200              |                 |            |            |            |            | 35x45:5.25 |            |            |            |            |            |  |

| Cap<br>( $\mu$ F) | Vdc<br>$\phi$ D | 250        |            |            |            |            | 315        |            |            |            |            |  |
|-------------------|-----------------|------------|------------|------------|------------|------------|------------|------------|------------|------------|------------|--|
|                   |                 | $\phi$ 20  | $\phi$ 22  | $\phi$ 25  | $\phi$ 30  | $\phi$ 35  | $\phi$ 20  | $\phi$ 22  | $\phi$ 25  | $\phi$ 30  | $\phi$ 35  |  |
| 150               |                 |            |            |            |            |            | 20x30:1.00 |            |            |            |            |  |
| 180               |                 | 20x25:1.20 |            |            |            |            | 20x35:1.13 | 22x30:1.29 | 25x25:1.38 |            |            |  |
| 220               |                 | 20x25:1.26 | 22x25:1.24 |            |            |            | 20x35:1.29 | 22x30:1.41 | 25x25:1.47 |            |            |  |
| 270               |                 | 20x30:1.42 | 22x25:1.50 |            |            |            |            | 22x35:1.68 | 25x30:1.70 |            |            |  |
| 330               |                 | 20x35:1.68 | 22x30:1.66 | 25x25:1.61 |            |            |            | 22x40:1.91 | 25x35:1.94 | 30x25:1.98 |            |  |
| 390               |                 | 20x40:1.92 | 22x35:1.88 | 25x30:1.88 |            |            |            | 22x45:2.07 | 25x40:2.11 | 30x30:2.15 |            |  |
| 470               |                 |            | 22x35:2.15 | 25x35:2.15 | 30x25:2.04 |            |            |            | 25x50:2.31 | 30x35:2.38 | 35x30:2.36 |  |
| 560               |                 |            | 22x40:2.48 | 25x35:2.35 | 30x25:2.35 |            |            |            |            | 30x35:2.63 | 35x30:2.69 |  |
| 680               |                 |            |            | 25x40:2.67 | 30x30:2.71 |            |            |            |            | 30x45:2.80 | 35x35:3.05 |  |
| 820               |                 |            |            | 25x45:3.01 | 30x35:2.98 | 35x30:2.96 |            |            |            | 30x50:3.28 | 35x40:3.45 |  |
| 1000              |                 |            |            |            | 30x40:3.56 | 35x35:3.48 |            |            |            |            | 35x45:3.57 |  |
| 1200              |                 |            |            |            | 30x45:3.99 | 35x35:3.84 |            |            |            |            |            |  |
| 1500              |                 |            |            |            |            | 35x40:4.33 |            |            |            |            |            |  |
| 1800              |                 |            |            |            |            | 35x50:4.54 |            |            |            |            |            |  |

| Cap<br>( $\mu$ F) | Vdc<br>$\phi$ D | 350        |            |            |            |            | 385        |            |            |            |            |            |
|-------------------|-----------------|------------|------------|------------|------------|------------|------------|------------|------------|------------|------------|------------|
|                   |                 | $\phi$ 20  | $\phi$ 22  | $\phi$ 25  | $\phi$ 30  | $\phi$ 35  | $\phi$ 20  | $\phi$ 22  | $\phi$ 25  | $\phi$ 30  | $\phi$ 35  |            |
| 68                |                 |            |            |            |            |            | 20x25:0.68 |            |            |            |            |            |
| 82                |                 |            |            |            |            |            | 20x30:0.74 | 22x25:0.76 |            |            |            |            |
| 100               |                 |            |            |            |            |            | 20x30:0.86 | 22x30:0.89 |            |            |            |            |
| 120               |                 | 20x30:0.96 | 22x25:1.04 |            |            |            |            | 20x35:0.96 | 22x30:0.98 | 25x25:1.02 |            |            |
| 150               |                 | 20x30:1.10 | 22x30:1.20 | 25x25:1.22 |            |            |            | 20x35:1.10 | 22x35:1.12 | 25x30:1.14 |            |            |
| 180               |                 | 20x35:1.24 | 22x30:1.34 | 25x25:1.37 |            |            |            | 20x40:1.27 | 22x35:1.27 | 25x30:1.30 | 30x25:1.37 |            |
| 220               |                 |            | 22x35:1.47 | 25x30:1.53 | 30x25:1.54 |            |            |            | 22x40:1.42 | 25x35:1.48 | 30x30:1.49 |            |
| 270               |                 |            | 22x40:1.70 | 25x35:1.73 | 30x25:1.80 |            |            |            | 22x50:1.60 | 25x40:1.61 | 30x30:1.64 |            |
| 330               |                 |            | 22x45:1.87 | 25x35:1.97 | 30x30:2.03 |            |            |            |            | 25x45:1.80 | 30x35:1.85 | 35x30:1.87 |
| 390               |                 |            |            | 25x40:2.14 | 30x35:2.23 | 35x30:2.30 |            |            |            | 25x50:2.04 | 30x40:2.05 | 35x35:2.07 |
| 470               |                 |            |            | 25x50:2.55 | 30x35:2.53 | 35x30:2.55 |            |            |            |            | 30x45:2.26 | 35x35:2.26 |
| 560               |                 |            |            |            | 30x40:2.73 | 35x35:2.75 |            |            |            |            | 30x50:2.57 | 35x40:2.59 |
| 680               |                 |            |            |            | 30x50:3.15 | 35x40:3.15 |            |            |            |            |            | 35x45:2.80 |
| 820               |                 |            |            |            |            | 35x45:3.47 |            |            |            |            |            |            |
| 1000              |                 |            |            |            |            | 35x50:3.60 |            |            |            |            |            |            |

↑ Ripple Current (A r.m.s./120Hz, 85°C)  
 ↑ Case Size  $\phi$ D×L(mm)

**◆ STANDARD SIZE**

| Cap<br>( $\mu$ F) | Vdc<br>$\phi$ D | 400         |             |             |             |             | 420         |             |             |             |             |  |
|-------------------|-----------------|-------------|-------------|-------------|-------------|-------------|-------------|-------------|-------------|-------------|-------------|--|
|                   |                 | $\phi$ 20   | $\phi$ 22   | $\phi$ 25   | $\phi$ 30   | $\phi$ 35   | $\phi$ 20   | $\phi$ 22   | $\phi$ 25   | $\phi$ 30   | $\phi$ 35   |  |
| 68                |                 | 20x25; 0.75 |             |             |             |             | 20x25; 0.70 |             |             |             |             |  |
| 82                |                 | 20x30; 0.82 | 22x25; 0.84 |             |             |             | 20x30; 0.80 | 22x25; 0.85 |             |             |             |  |
| 100               |                 | 20x30; 0.95 | 22x30; 0.99 |             |             |             | 20x35; 0.90 | 22x30; 0.97 | 25x25; 0.98 |             |             |  |
| 120               |                 | 20x35; 1.07 | 22x30; 1.09 | 25x25; 1.13 |             |             | 20x35; 1.04 | 22x30; 1.07 | 25x25; 1.08 |             |             |  |
| 150               |                 | 20x40; 1.22 | 22x35; 1.24 | 25x30; 1.27 |             |             | 20x40; 1.17 | 22x35; 1.21 | 25x30; 1.26 | 30x25; 1.30 |             |  |
| 180               |                 |             | 22x40; 1.41 | 25x30; 1.44 | 30x25; 1.52 |             |             | 22x40; 1.33 | 25x35; 1.42 | 30x25; 1.48 |             |  |
| 220               |                 |             | 22x45; 1.58 | 25x35; 1.64 | 30x30; 1.66 |             |             | 22x45; 1.55 | 25x35; 1.58 | 30x30; 1.65 |             |  |
| 270               |                 |             |             | 25x40; 1.79 | 30x30; 1.82 |             |             |             | 25x40; 1.74 | 30x35; 1.90 | 35x30; 1.94 |  |
| 330               |                 |             |             | 25x45; 2.00 | 30x35; 2.05 | 35x30; 2.05 |             |             | 25x50; 2.20 | 30x35; 1.98 | 35x35; 2.17 |  |
| 390               |                 |             |             |             | 30x40; 2.26 | 35x35; 2.28 |             |             |             | 30x40; 2.22 | 35x35; 2.27 |  |
| 470               |                 |             |             |             | 30x45; 2.51 | 35x40; 2.54 |             |             |             | 30x45; 2.50 | 35x40; 2.61 |  |
| 560               |                 |             |             |             | 30x50; 2.85 | 35x40; 2.85 |             |             |             |             | 35x45; 2.95 |  |
| 680               |                 |             |             |             |             | 35x50; 3.10 |             |             |             |             |             |  |

| Cap<br>( $\mu$ F) | Vdc<br>$\phi$ D | 450         |             |             |             |             |
|-------------------|-----------------|-------------|-------------|-------------|-------------|-------------|
|                   |                 | $\phi$ 20   | $\phi$ 22   | $\phi$ 25   | $\phi$ 30   | $\phi$ 35   |
| 56                |                 | 20x25; 0.61 |             |             |             |             |
| 68                |                 | 20x30; 0.70 | 22x25; 0.71 |             |             |             |
| 82                |                 | 20x35; 0.80 | 22x25; 0.86 |             |             |             |
| 100               |                 | 20x35; 0.88 | 22x30; 0.95 | 25x25; 0.97 |             |             |
| 120               |                 | 20x40; 0.99 | 22x35; 1.07 | 25x30; 1.09 | 30x25; 1.12 |             |
| 150               |                 |             | 22x40; 1.18 | 25x30; 1.25 | 30x25; 1.29 |             |
| 180               |                 |             | 22x45; 1.32 | 25x35; 1.40 | 30x30; 1.45 |             |
| 220               |                 |             |             | 25x40; 1.59 | 30x30; 1.64 | 35x30; 1.66 |
| 270               |                 |             |             | 25x45; 1.73 | 30x35; 1.89 | 35x30; 1.90 |
| 330               |                 |             |             | 25x50; 2.12 | 30x40; 2.12 | 35x35; 2.15 |
| 390               |                 |             |             |             | 30x45; 2.35 | 35x40; 2.38 |
| 470               |                 |             |             |             | 30x50; 2.65 | 35x45; 2.68 |
| 560               |                 |             |             |             |             | 35x50; 2.88 |

↑ Ripple Current (A r.m.s./120Hz, 85°C)  
 ↑ Case Size  $\phi$ D×L(mm)

# Mouser Electronics

Authorized Distributor

Click to View Pricing, Inventory, Delivery & Lifecycle Information:

## Rubycon:

[180USC470MEFCSN22X30](#) [63USC5600MEFCSN25X45](#) [250USC180MEFCSN20X25](#) [16USC68000MEFCSN35X45](#)  
[25USC10000MEFCSN25X25](#) [100USC2200MEFCSN25X35](#) [80USC10000MEFCSN35X50](#)  
[315USC390MEFCSN30X30](#) [35USC22000MEFCSN30X45](#) [385USC560MEFCSN35X40](#) [315USC150MEFCSN20X30](#)  
[160USC1000MEFCSN22X45](#) [385USC120MEFCSN20X35](#) [10USC12000MEFCSN22X25](#) [385USC330MEFCSN30X35](#)  
[450USC180MEFCSN22X45](#) [250USC820MEFCSN30X35](#) [385USC120MEFCSN22X30](#) [450USC180MEFCSN25X35](#)  
[180USC820MEFCSN22X40](#) [100USC4700MEFCSN30X45](#) [80USC2700MEFCSN30X25](#) [10USC47000MEFCSN35X35](#)  
[80USC3300MEFCSN30X30](#) [315USC270MEFCSN25X30](#) [10USC39000MEFCSN35X30](#) [450USC560MEFCSN35X50](#)  
[385USC270MEFCSN30X30](#) [80USC5600MEFCSN35X35](#) [315USC220MEFCSN22X30](#) [250USC220MEFCSN22X25](#)  
[350USC220MEFCSN30X25](#) [400USC100MEFCSN20X30](#) [35USC8200MEFCSN30X25](#) [315USC220MEFCSN25X25](#)  
[160USC1200MEFCSN25X40](#) [35USC10000MEFCSN25X35](#) [350USC680MEFCSN30X50](#) [385USC390MEFCSN25X50](#)  
[100USC4700MEFCSN35X40](#) [385USC270MEFCSN22X50](#) [450USC68MEFCSN22X25](#) [250USC560MEFCSN25X35](#)  
[25USC33000MEFCSN30X45](#) [220USC470MEFCSN22X35](#) [10USC33000MEFCSN30X30](#) [315USC560MEFCSN35X30](#)  
[100USC820MEFCSN22X25](#) [80USC2200MEFCSN20X40](#) [25USC22000MEFCSN25X45](#) [250USC390MEFCSN22X35](#)  
[385USC470MEFCSN30X45](#) [160USC1800MEFCSN30X40](#) [25USC8200MEFCSN22X30](#) [250USC680MEFCSN30X30](#)  
[220USC680MEFCSN30X30](#) [160USC1000MEFCSN25X35](#) [350USC180MEFCSN25X25](#) [385USC180MEFCSN30X25](#)  
[250USC390MEFCSN25X30](#) [450USC100MEFCSN25X25](#) [350USC330MEFCSN25X35](#) [100USC1800MEFCSN30X25](#)  
[350USC150MEFCSN20X30](#) [10USC18000MEFCSN22X35](#) [420USC100MEFCSN25X25](#) [350USC470MEFCSN35X30](#)  
[160USC2700MEFCSN35X45](#) [160USC1200MEFCSN30X30](#) [35USC12000MEFCSN22X50](#)  
[10USC47000MEFCSN30X40](#) [220USC680MEFCSN25X35](#) [220USC330MEFCSN20X35](#) [315USC180MEFCSN22X30](#)  
[450USC68MEFCSN20X30](#) [180USC680MEFCSN22X35](#) [63USC3900MEFCSN22X45](#) [100USC1800MEFCSN22X40](#)  
[50USC4700MEFCSN25X30](#) [25USC15000MEFCSN30X25](#) [350USC390MEFCSN30X35](#) [10USC56000MEFCSN30X45](#)  
[220USC820MEFCSN25X45](#) [100USC1500MEFCSN20X40](#) [10USC47000MEFCSN25X50](#)  
[450USC150MEFCSN22X40](#) [63USC4700MEFCSN30X30](#) [385USC150MEFCSN25X30](#) [63USC1800MEFCSN22X25](#)  
[80USC2700MEFCSN22X40](#) [350USC220MEFCSN22X35](#) [250USC680MEFCSN25X40](#) [315USC330MEFCSN25X35](#)  
[10USC39000MEFCSN30X35](#) [10USC22000MEFCSN25X30](#) [50USC5600MEFCSN22X40](#) [350USC470MEFCSN30X35](#)  
[385USC560MEFCSN30X50](#) [63USC8200MEFCSN35X35](#) [220USC560MEFCSN25X35](#)

## Данный компонент на территории Российской Федерации

### Вы можете приобрести в компании MosChip.

Для оперативного оформления запроса Вам необходимо перейти по данной ссылке:

<http://moschip.ru/get-element>

Вы можете разместить у нас заказ для любого Вашего проекта, будь то серийное производство или разработка единичного прибора.

В нашем ассортименте представлены ведущие мировые производители активных и пассивных электронных компонентов.

Нашей специализацией является поставка электронной компонентной базы двойного назначения, продукции таких производителей как XILINX, Intel (ex.ALTERA), Vicor, Microchip, Texas Instruments, Analog Devices, Mini-Circuits, Amphenol, Glenair.

Сотрудничество с глобальными дистрибьюторами электронных компонентов, предоставляет возможность заказывать и получать с международных складов практически любой перечень компонентов в оптимальные для Вас сроки.

На всех этапах разработки и производства наши партнеры могут получить квалифицированную поддержку опытных инженеров.

Система менеджмента качества компании отвечает требованиям в соответствии с ГОСТ Р ИСО 9001, ГОСТ РВ 0015-002 и ЭС РД 009

### Офис по работе с юридическими лицами:

105318, г.Москва, ул.Щербаковская д.3, офис 1107, 1118, ДЦ «Щербаковский»

Телефон: +7 495 668-12-70 (многоканальный)

Факс: +7 495 668-12-70 (доб.304)

E-mail: [info@moschip.ru](mailto:info@moschip.ru)

Skype отдела продаж:

moschip.ru

moschip.ru\_4

moschip.ru\_6

moschip.ru\_9