



# CT85x Series

## Bipolar Digital TMR Latch for Consumer & Industrial Applications

### Product Description

The CT85x Series of integrated bipolar magnetic latches and analog sensor are designed for consumer and industrial switching applications. It is based on Crocus Technology's patented Magnetic Logic Unit™ (MLU™) technology with integrated CMOS process to provide a monolithic solution for superior sensing performance.

These devices are capable of handling large air gap applications with low magnetic fields down to 1.0 mT with best in class high frequency performance. The CT85x is offered in active-low push-pull CMOS and it can also be configured in open drain configuration for design flexibility. The latches are available in a 3-lead SOT-23 packages, providing cost effective and space-saving solutions for high volume manufacturing. Please contact factory for custom solutions.



**SOT-23 Package**

### Features and Benefits

- High sensitivity,  $B_{OP}$  as low as 1.0 mT
- Resistant to mechanical stress
- Digital CMOS push-pull with option for open drain output
- Low profile and small form factor packaging
- RoHS Compliant

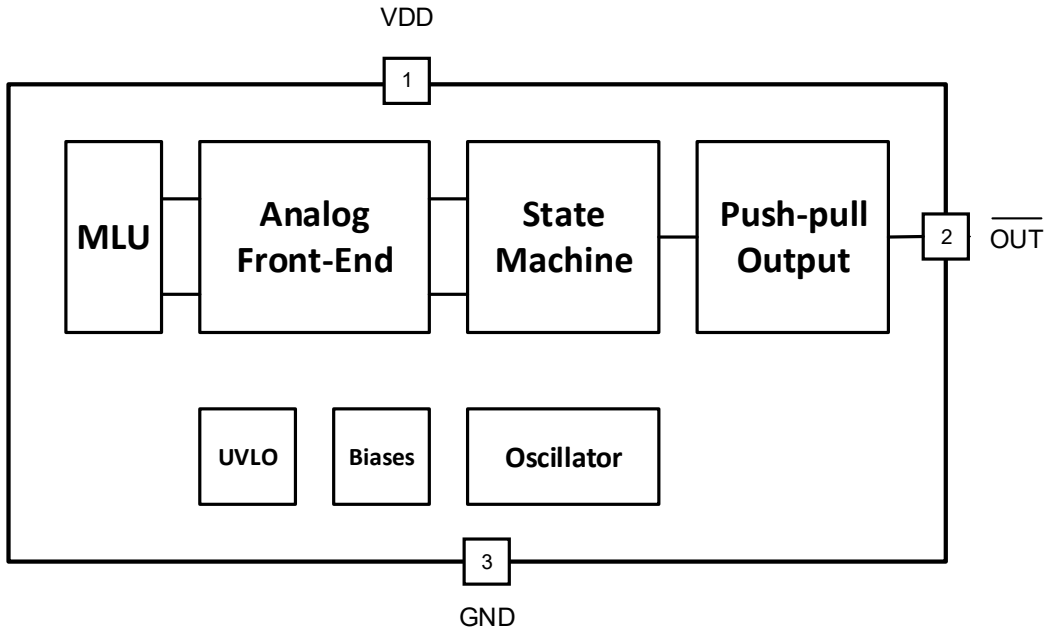
### Application Examples

- IoT devices
- Smartphones, tablets, and laptops
- Door or lid closure detection
- Reed switch replacement
- Motor controllers
- Power switch or open-close detection



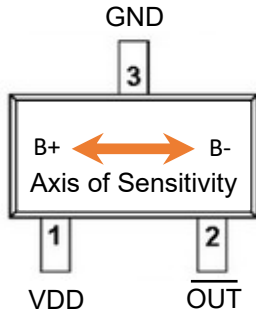
**Figure 1: CT85x Block Diagrams**

CT852 (SOT23 Package) Block Diagram





**Figure 2: Package Pin-out with Axis of Sensitivity Diagrams**



**SOT-23 Package for  
CT852**

**Table 1: Pin-out Information**

Pin # for SOT23 Package	Pin Name	Pin Description
1	VDD	Supply Voltage
2	$\overline{\text{OUT}}$	Output Signal (Active LOW) for CT852.
3	GND	Ground



**Table 2: Absolute Maximum Ratings**

Exceeding the absolute maximum ratings may cause permanent damage. Exposure to absolute maximum rated conditions for extended periods may affect device reliability.

Parameter	Symbol	Min	Max	Unit
Supply Voltage	$V_{DD}$	-0.3	4.0	V
Push-pull Output (Active LOW)	$V_{OUT\_PP}$	-0.3	$V_{DD} + 0.3$	V
Input and Output Current	$I_{IN} / I_{OUT}$	-10	+10	mA
Junction temperature	$T_J$	-40	+125	°C
Storage temperature	$T_{STG}$	-65	+150	°C
Soldering temperature	$T_{SOL}$		+260	°C
ESD Level, Human Body Model per JESD22-A114	$V_{ESD\_HBM}$	±4.0		kV

**Table 3: Recommended Operating Conditions**

The Recommended Operating Conditions table defines the conditions for the actual device operation. Recommended operating conditions are specified to ensure optimal performance to the data sheet specifications. Crocus Technology does not recommend exceeding them or designing to absolute maximum ratings.

Parameter	Symbol	Conditions	Min	Typ	Max	Unit
Supply Voltage	$V_{DD}$		2.7	3.0	3.6	V
Output Voltage	$V_{OUT}$				3.6	V
Operating Magnetic Flux	B				12	mT
Ambient Temperature	$T_A$		-40	+25	+125	°C
Junction Temperature	$T_J$		-40		+125	°C

**Table 4: Thermal Properties**

Junction-to-ambient thermal resistance is a function of application and board layout and is determined in accordance to JEDEC standard JE51 for a four (4) layer 2s2p FR-4 printed circuit board (PCB). Special attention must be paid not to exceed junction temperature  $T_{J(MAX)}$  at a given ambient temperature.

Parameter	Symbol	Min	Typ	Max	Unit
Junction-to-Ambient Thermal Resistance for SOT23 Package	$\theta_{JA(SOT23)}$		202		°C/W



**Table 5: Electrical Characteristics for CT85x Series**

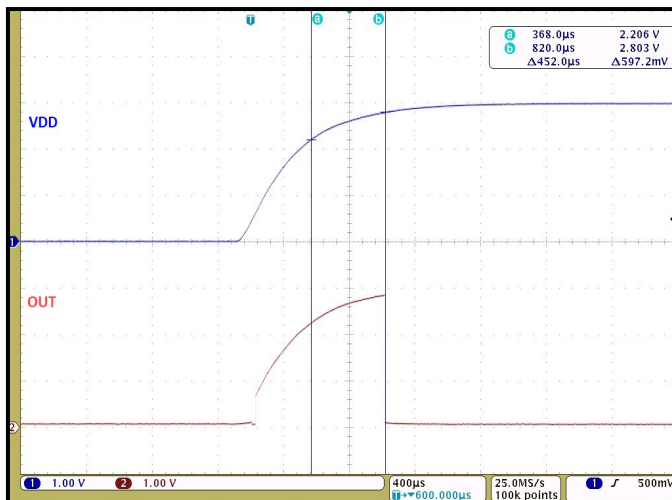
Unless otherwise specified:  $V_{DD} = 2.7\text{ V to }3.6\text{ V}$ ,  $T_A = -40^\circ\text{C to }+125^\circ\text{C}$ . Typical values are  $V_{DD} = 3.0\text{ V}$  and  $T_A = +25^\circ\text{C}$ .

Parameter	Symbol	Conditions	Min	Typ	Max	Unit
Power-On Time	$t_{ON}$	$V_{DD} > 2.7\text{ V}$		500		$\mu\text{s}$
Under-voltage Lockout Threshold, Rising $V_{DD}$	$V_{UVLO\_RISE}$	Rising $V_{DD}$		2.20	2.60	V
Under-voltage Lockout Threshold, Falling $V_{DD}$	$V_{UVLO\_FALL}$	Falling $V_{DD}$	1.90	2.15		V
Under-voltage Lockout Hysteresis	$V_{UV\_HYST}$			50		mV
<b>Push-Pull Output</b>						
Output Voltage High $\overline{OUT}$	$V_{OH}$	$I_{OUT} = -2\text{ mA}$	$0.9 \times V_{DD}$			V
Output Voltage Low $\overline{OUT}$	$V_{OL}$	$I_{OUT} = +2\text{ mA}$			$0.1 \times V_{DD}$	V
Current for $\overline{OUT}$	$I_{OUT}$			$\pm 2$		mA

(1) Guaranteed by design and bench characterization.

## Typical Timing Characteristics for CT85x

$V_{DD} = 3.0\text{ V}$  and  $T_A = +25^\circ\text{C}$ ,  $C_{DD} = 1.0\text{ }\mu\text{F}$  (unless otherwise specified).



**Figure 3.** Power-On Time for Push-pull Output ( $V_{DD}$  and  $\overline{OUT}$ )



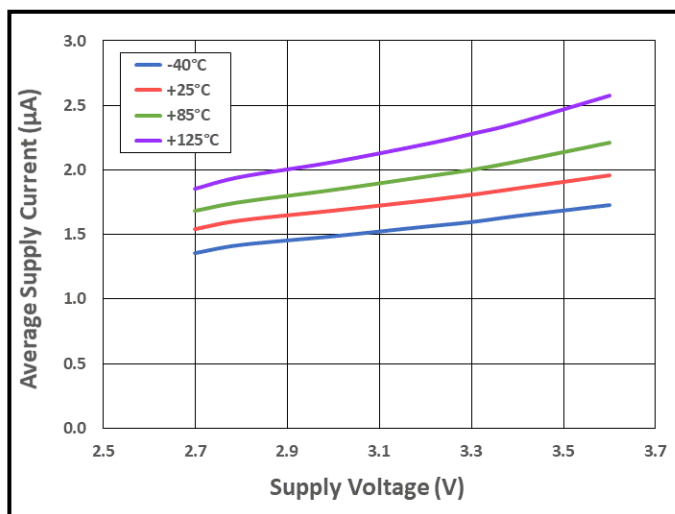
**Table 6: Electrical & Magnetic Characteristics for CT852AN**

Unless otherwise specified:  $V_{DD} = 2.7\text{ V to }3.6\text{ V}$ ,  $T_A = -40^\circ\text{C to }+125^\circ\text{C}$ . Typical values are  $V_{DD} = 3.0\text{ V}$  and  $T_A = +25^\circ\text{C}$ .

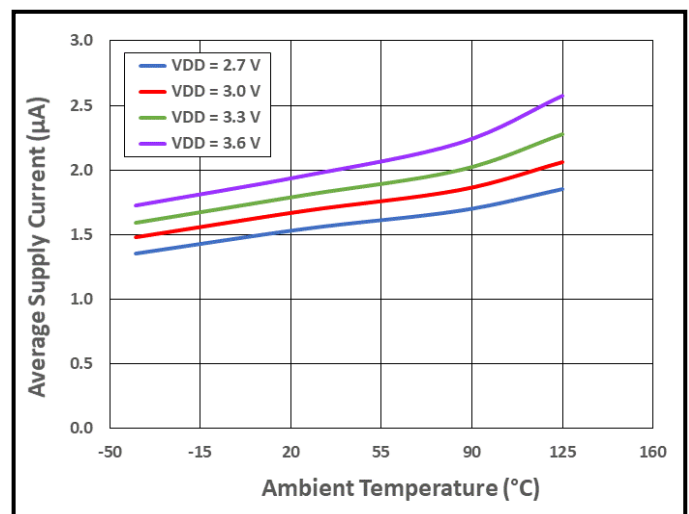
Parameter	Symbol	Conditions	Min	Typ	Max	Unit
Average Supply Current	$I_{DD(AVG)}$	$t \geq 10\text{ s}$		1.7	3.3	$\mu\text{A}$
Sampling Frequency	$f_S$		325	500	600	Hz
Active Mode Time	$t_{ACT}$			1.4		$\mu\text{s}$
Idle Mode Time	$t_{IDLE}$		1.6	2.0	3.1	ms
Operate Point	$B_{OPS}$		0.8	1.0	1.4	mT
Release point	$B_{RPN}$		-1.4	-1.0	-0.8	mT

## Typical Electrical Characteristics for CT852AN

$V_{DD} = 3.0\text{ V}$  and  $T_A = +25^\circ\text{C}$ ,  $C_{DD} = 1.0\text{ }\mu\text{F}$  (unless otherwise specified).



**Figure 4.** Average Supply Current vs. Supply Voltage vs. Temperature

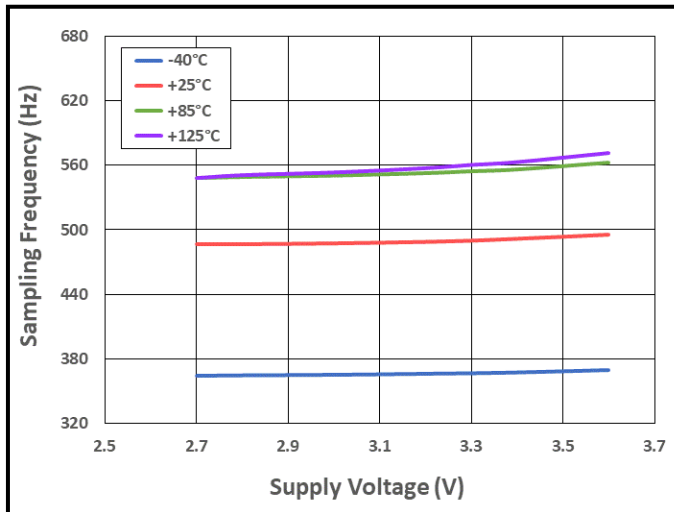


**Figure 5.** Average Supply Current vs. Temperature vs. Supply Voltage



## Typical Electrical Characteristics for CT852AN

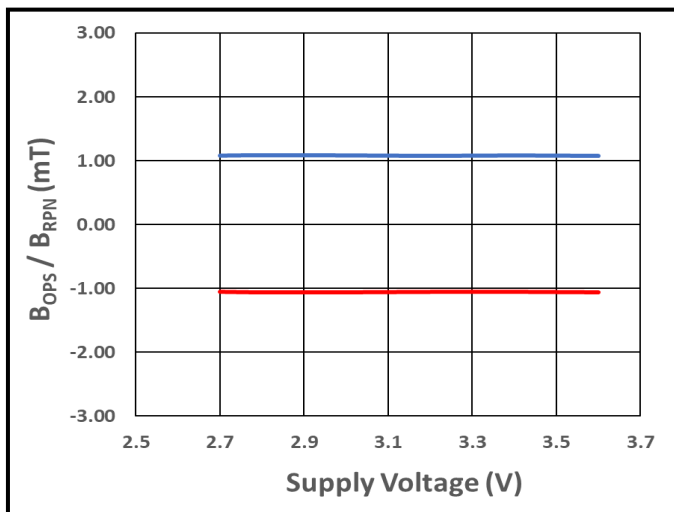
$V_{DD} = 3.0\text{ V}$  and  $T_A = +25^\circ\text{C}$ ,  $C_{DD} = 1.0\ \mu\text{F}$  (unless otherwise specified).



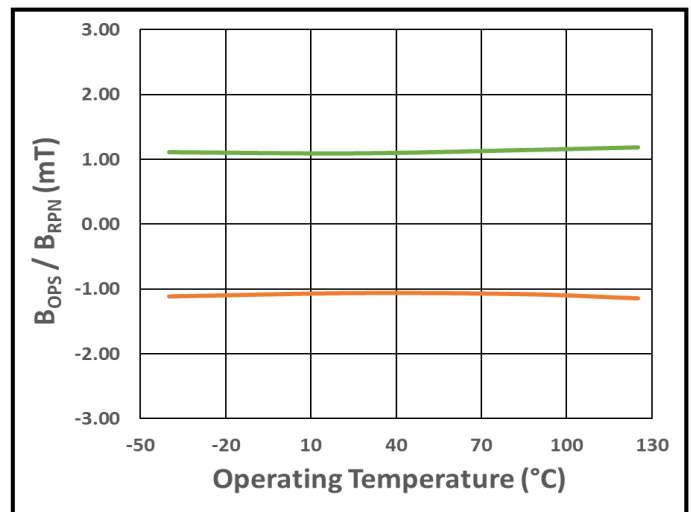
**Figure 6.** Sampling Frequency vs. Supply Voltage vs. Temperature

## Typical Magnetic Characteristics for CT852AN

$V_{DD} = 3.0\text{ V}$  and  $T_A = +25^\circ\text{C}$ ,  $C_{DD} = 1.0\ \mu\text{F}$  (unless otherwise specified).



**Figure 7.**  $B_{OPS}$  (Blue) and  $B_{RPN}$  (Red) vs. Supply Voltage at  $+25^\circ\text{C}$



**Figure 8.**  $B_{OPS}$  (Green) and  $B_{RPN}$  (Orange) vs. Operating Temperature at  $V_{DD} = 3.0\text{ V}$



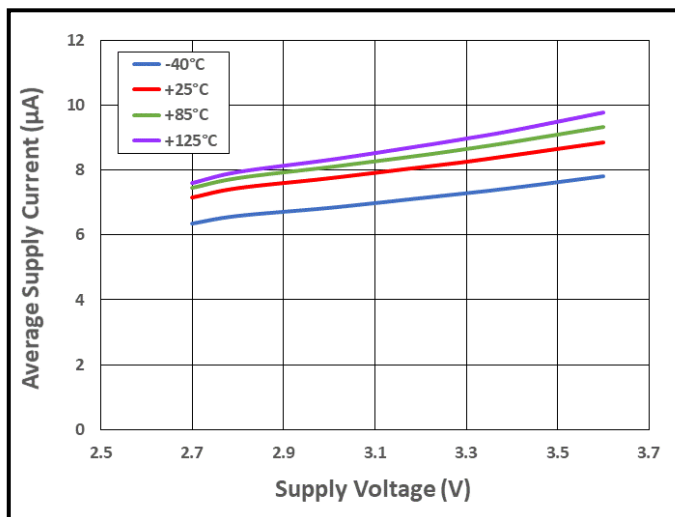
**Table 7: Electrical & Magnetic Characteristics for CT852AM**

Unless otherwise specified:  $V_{DD} = 2.7\text{ V to }3.6\text{ V}$ ,  $T_A = -40^\circ\text{C to }+125^\circ\text{C}$ . Typical values are  $V_{DD} = 3.0\text{ V}$  and  $T_A = +25^\circ\text{C}$ .

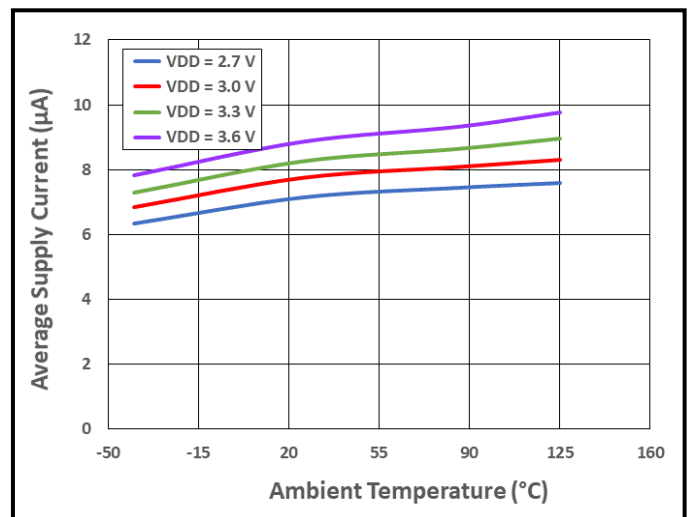
Parameter	Symbol	Conditions	Min	Typ	Max	Unit
Average Supply Current	$I_{DD(AVG)}$	$t \geq 10\text{ s}$		8.0	13.0	$\mu\text{A}$
Sampling Frequency	$f_S$		1.63	2.50	3.25	kHz
Active Mode Time	$t_{ACT}$			1.4		$\mu\text{s}$
Idle Mode Time	$t_{IDLE}$		308	400	614	ms
Operate Point	$B_{OPS}$		0.8	1.0	1.4	mT
Release point	$B_{RPN}$		-1.4	-1.0	-0.8	mT

## Typical Electrical Characteristics for CT852AM

$V_{DD} = 3.0\text{ V}$  and  $T_A = +25^\circ\text{C}$ ,  $C_{DD} = 1.0\text{ }\mu\text{F}$  (unless otherwise specified).



**Figure 9.** Average Supply Current vs. Supply Voltage vs. Temperature



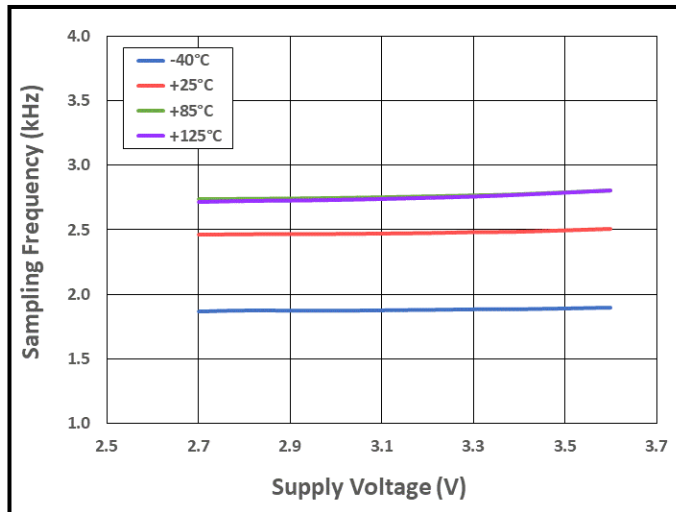
**Figure 10.** Average Supply Current vs. Temperature vs. Supply Voltage





## Typical Electrical Characteristics for CT852AM

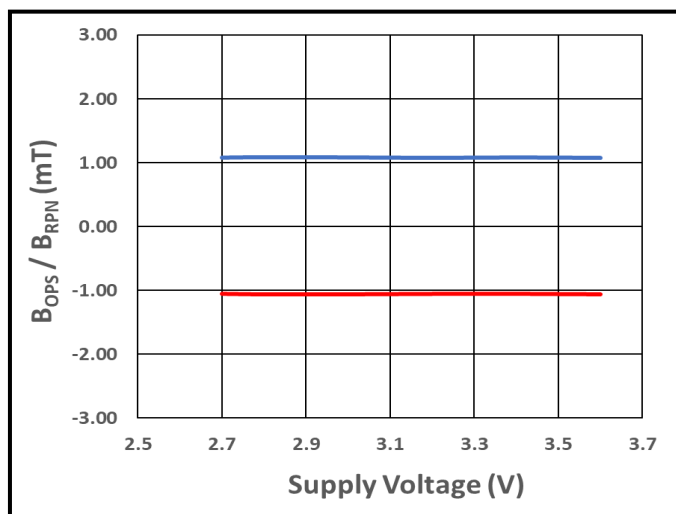
$V_{DD} = 3.0\text{ V}$  and  $T_A = +25^\circ\text{C}$ ,  $C_{DD} = 1.0\ \mu\text{F}$  (unless otherwise specified).



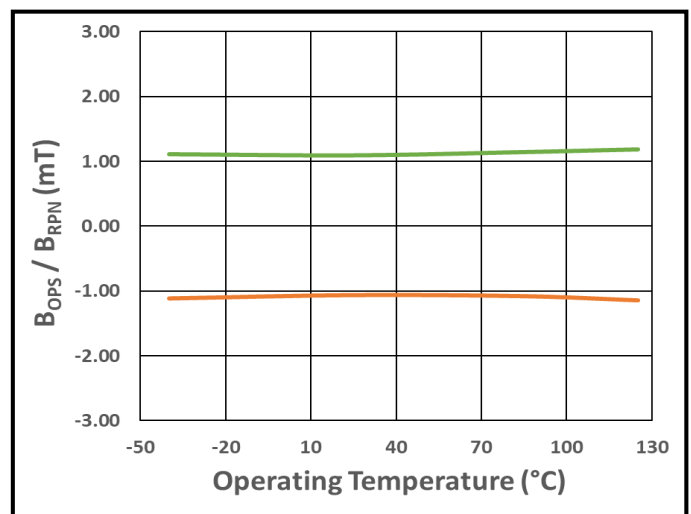
**Figure 11.** Sampling Frequency vs. Supply Voltage vs. Temperature

## Typical Magnetic Characteristics for CT852AM

$V_{DD} = 3.0\text{ V}$  and  $T_A = +25^\circ\text{C}$ ,  $C_{DD} = 1.0\ \mu\text{F}$  (unless otherwise specified).



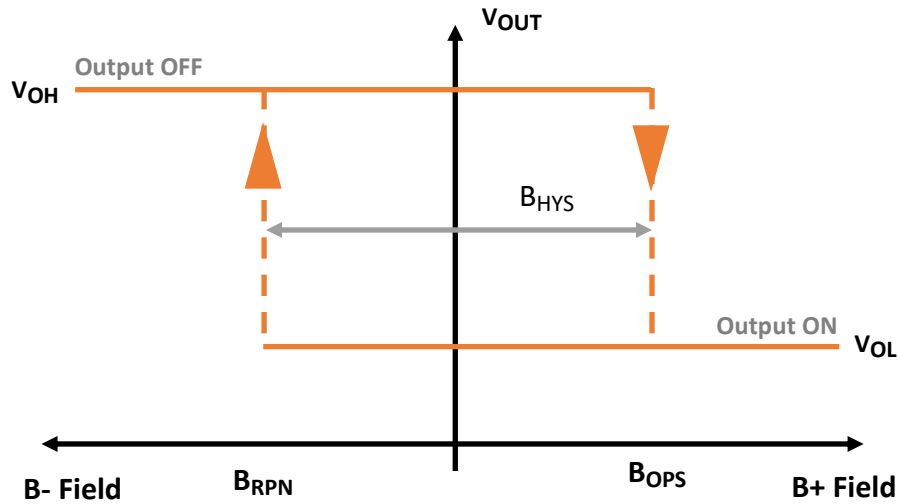
**Figure 12.**  $B_{OPS}$  (Blue) and  $B_{RPN}$  (Red) vs. Supply Voltage at  $+25^\circ\text{C}$



**Figure 13.**  $B_{OPS}$  (Green) and  $B_{RPN}$  (Orange) vs. Operating Temperature at  $V_{DD} = 3.0\text{ V}$



**Figure 14: Bipolar Magnetic Flux**



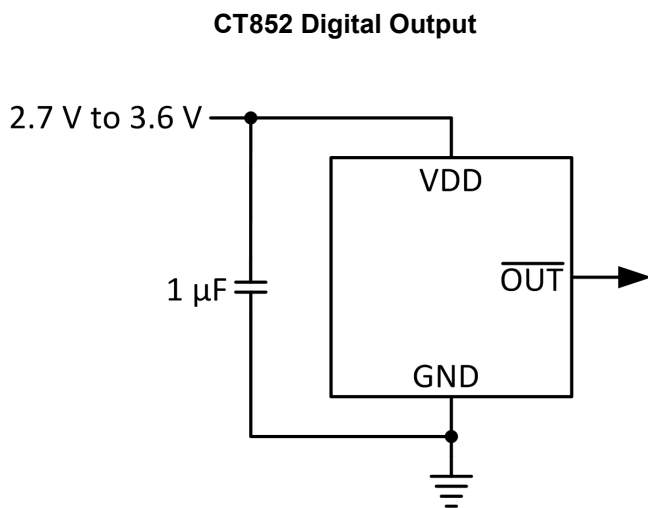
### Output Behavior vs. Magnetic Field

Characteristic	Conditions	Output
Positive Field	$B > B_{OP}$	Low (ON)
Negative Field	$B < B_{RP}$	High (OFF)



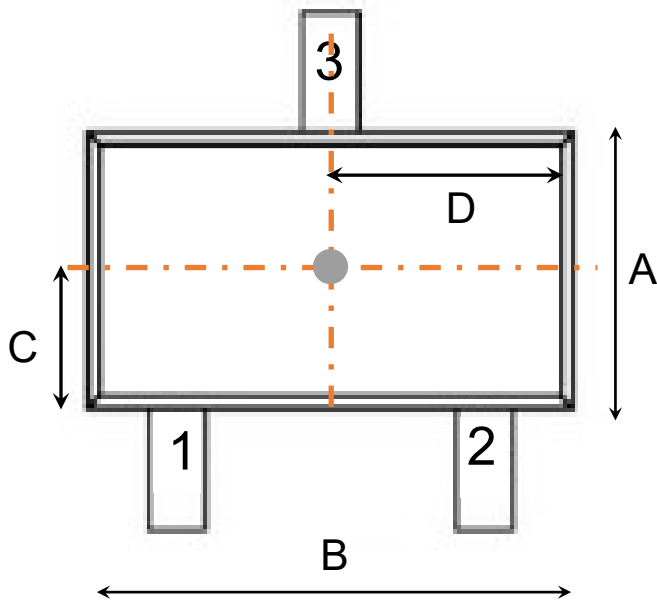
## Figure 15: Application Circuit

A decoupling capacitor ( $C_{DD}$ ) between the supply voltage and ground is required with placement close to the magnetic switch. A typical capacitor value of  $1\ \mu\text{F}$  (Ceramic) will suffice.





**Figure 16: MLU Sensor Location**



**SOT23 Package**

Symbols	Nominal Dimensions (mm)
A	1.60
B	2.90
C	0.80
D	1.45



# CT85x Series

Bipolar Digital TMR Latch  
for Consumer  
& Industrial Applications

**Table 8: Order Guide for Bipolar TMR Digital Latches**

Part Number	Polarity	Output Type	B <sub>OP</sub>	B <sub>RP</sub>	I <sub>DD(AVG)</sub>	f <sub>S</sub>	Description
CT852AN-HS3 CT852AN-IS3	Bipolar	Push-Pull	+1.0 mT	-1.0 mT	1.7 $\mu$ A	500 Hz	Bipolar Magnetic Latch SOT-23 Package, Tape & Reel Packaging
CT852AM-HS3 CT852AM-IS3	Bipolar	Push-Pull	+1.0 mT	-1.0 mT	8.0 $\mu$ A	2.5 kHz	Bipolar Magnetic Latch SOT-23 Package, Tape & Reel Packaging



# CT85x Series

Bipolar Digital TMR Latch  
for Consumer  
& Industrial Applications

**Table 9. Packaging Information**

Orderable Part Number	Package Type	Pins	Package Quantity	Lead Finish	Eco Plan <sup>(1)</sup>	MSL Rating <sup>(2)</sup>	Operating Temperature	Device Marking <sup>(3)</sup>
CT852AN-HS3	SOT-23	3	3,000	Sn	Green & RoHS	1	-40°C to +125°C	HS YWWS
CT852AN-IS3	SOT-23	3	3,000	Sn	Green & RoHS	1	-40°C to +85°C	HS YWWS
CT852AM-HS3	SOT-23	3	3,000	Sn	Green & RoHS	1	-40°C to +125°C	HR YWWS
CT852AM-IS3	SOT-23	3	3,000	Sn	Green & RoHS	1	-40°C to +85°C	HR YWWS

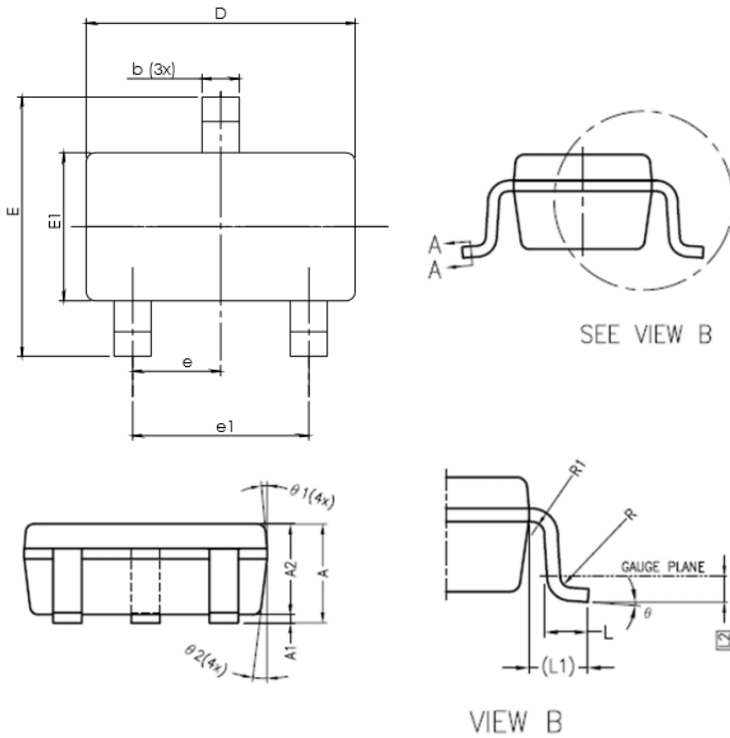
- (1) RoHS is defined as semiconductor products that are compliant to the current EU RoHS requirements. It also will meet the requirement that RoHS substances do not exceed 0.1% by weight in homogeneous materials. Green is defined as the content of Chlorine (Cl), Bromine (Br) and Antimony Trioxide based flame retardants satisfy JS709B low halogen requirements of  $\leq 1,000$  ppm.
- (2) MSL Rating = Moisture Sensitivity Level Rating as defined by JEDEC industry standard classifications.
- (3) Device Marking for SOT23 is defined as XZ YWWS where XZ = part number, Y = year, WW = work week and S = sequential number.



# CT85x Series

Bipolar Digital TMR Latch  
for Consumer  
& Industrial Applications

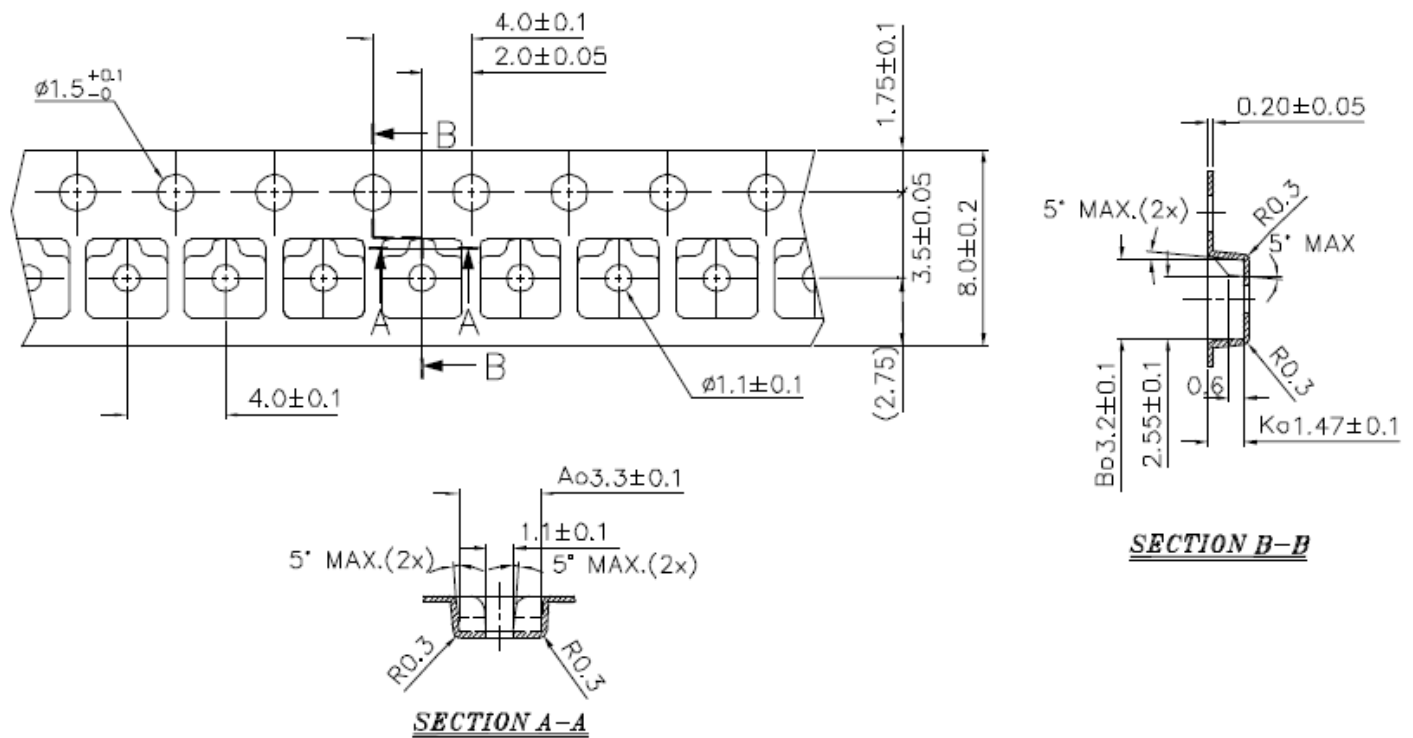
**Figure 17: 3-Lead SOT-23 Package Dimensions**



SYMBOLS	DIMENSIONS IN MILLIMETERS		
	MIN	NOM	MAX
A	1.05	1.20	1.35
A1	0.00	0.10	0.15
A2	1.00	1.10	1.20
b	0.30	—	0.50
b1	0.30	0.35	0.45
c	0.08	—	0.22
c1	0.08	0.13	0.20
D	2.80	2.90	3.00
E	2.60	2.80	3.00
E1	1.50	1.60	1.70
e	0.95 BSC		
e1	1.90 BSC		
L	0.35	0.43	0.60
L1	0.60 REF		
L2	0.25 BSC.		
R	0.10	—	—
R1	0.10	—	0.25
θ	0°	4°	8°
θ1	5°	6°	15°
θ2	5°	8°	15°



**Figure 18: Tape & Pocket Dimensions for SOT23 Package**



**Notes:**

1. Material: Conductive Polystyrene
2. Dimensions in mm.
3. 10 sprocket hole pitch cumulative tolerance  $\pm 0.2$ .
4. Camber not to exceed 1 mm in 100 mm.
5. Pocket position relative to sprocket hole measured as true position of pocket, not pocket hole.
6. (S.R.  $\Omega/\text{sq}$ ) means surface electric resistivity of the carrier tape.





**CROCUS** TECHNOLOGY  
Intelligence in Sensing™

# CT85x Series

## Bipolar Digital TMR Latch for Consumer & Industrial Applications

---

**Disclaimer:** The contents of this document are provided for informational purposes only. CROCUS TECHNOLOGY, INC. AND CROCUS TECHNOLOGY SA (COLLECTIVELY "CROCUS") MAKE NO REPRESENTATIONS OR WARRANTY OF ANY KIND, EXPRESS OR IMPLIED, WITH RESPECT TO THE ACCURACY OR COMPLETENESS OF THE CONTENTS HEREIN, INCLUDING, BUT NOT LIMITED TO, THE IMPLIED WARRANTIES OF MERCHANTABILITY AND FITNESS FOR A PARTICULAR PURPOSE. Crocus reserves the right to make changes to the specifications and product descriptions, and/or to discontinue or make changes to its products at any time without notice. Crocus's products have not been designed, tested, or manufactured for use and should not be used in applications where the failure, malfunction or inaccuracy of the Products carries a risk of death or serious bodily injury or damage to tangible property, including, but not limited to, life support systems, nuclear facilities, military, aircraft navigation or communication, emergency systems, harsh environments, or other applications with a similar degree of potential hazard.

© 2018 Crocus Technology, Inc. and Crocus Technology SA. All rights reserved. Crocus Technology, Intelligence in Sensing, MLU, and combinations thereof are trademarks of Crocus Technology, Inc. and Crocus Technology SA.



# CT85x Series

## Bipolar Digital TMR Latch for Consumer & Industrial Applications

Revision Number	Revision Date	Summary of Changes
0.1	5/12/17	Datasheet Initiated
0.2	6/2/17	Updated electrical characteristics, application circuit, and disclaimer clause.
0.3	6/21/17	Increased operating temperature to 125°C.
0.4	6/28/17	Changed Switch product name to Latch.
0.5	7/7/17	Updated Part Number Ordering Guide.
0.6	7/14/17	Added SK, BL option offering.
0.7	7/20/17	Added new part numbers.
0.8	8/15/17	Updated CT832SK from Bop = 0.7 mT to Bop = 0.9 mT. Updated axis of sensitivity
0.81	8/16/17	Updated available part numbers.
0.82	8/17/17	Updated datasheet formatting.
0.83	8/28/17	Updated 250 Hz to 500 Hz device offering.
0.84	8/29/17	Added new part number CT832SL.
0.85	9/26/17	Updated part numbers and added 250 Hz option.
0.86	10/16/17	Added part numbers for Industrial variants in Ordering Guide.
0.87	10/20/17	Added Packaging Information Table and changed operating conditions for each Electrical Table. Changed formatting in document.
0.88	11/10/17	Updated all tables and figures.
0.89	11/15/17	Changed CT833BH to CT832BH; added CT834; updated specifications and application diagrams.
0.90	11/21/17	Added Min/Max specs for switching frequency, average supply current and B <sub>OP</sub> plus B <sub>RP</sub> and Min/Typ hysteresis specs for B <sub>OP</sub> -B <sub>RP</sub> .
0.91	12/18/17	Added Average Supply Current curves and Tables for Recommending Operating Conditions and Thermal Properties. Formatted entire data sheet to use Arial font. Changed Min/Max specs for Table 14 from 0.2 x V <sub>DD</sub> and 0.8 x V <sub>DD</sub> to 0.19 x V <sub>DD</sub> and 0.81 x V <sub>DD</sub> .
0.92	12/19/17	Removed page for Part Legend and corrected device marking for CT832BH-IL1.

**Disclaimer:** The contents of this document are provided for informational purposes only. CROCUS TECHNOLOGY, INC. AND CROCUS TECHNOLOGY SA (COLLECTIVELY "CROCUS") MAKE NO REPRESENTATIONS OR WARRANTY OF ANY KIND, EXPRESS OR IMPLIED, WITH RESPECT TO THE ACCURACY OR COMPLETENESS OF THE CONTENTS HEREIN, INCLUDING, BUT NOT LIMITED TO, THE IMPLIED WARRANTIES OF MERCHANTABILITY AND FITNESS FOR A PARTICULAR PURPOSE. Crocus reserves the right to make changes to the specifications and product descriptions, and/or to discontinue or make changes to its products at any time without notice. Crocus's products have not been designed, tested, or manufactured for use and should not be used in applications where the failure, malfunction or inaccuracy of the Products carries a risk of death or serious bodily injury or damage to tangible property, including, but not limited to, life support systems, nuclear facilities, military, aircraft navigation or communication, emergency systems, harsh environments, or other applications with a similar degree of potential hazard.

© 2018 Crocus Technology, Inc. and Crocus Technology SA. All rights reserved. Crocus Technology, Intelligence in Sensing, MLU, and combinations thereof are trademarks of Crocus Technology, Inc. and Crocus Technology SA.



# CT85x Series

## Bipolar Digital TMR Latch for Consumer & Industrial Applications

Revision Number	Revision Date	Summary of Changes
0.93	2/2/18	Removed Output Voltage High spec and renamed output leakage current spec. Changed CT832BL and CT832SL supply current from 1.4 $\mu$ A to 1.2 $\mu$ A. Added B <sub>OP</sub> and B <sub>RP</sub> and Sensitivity curves. Added Min/Max Idle Times for all ETs since these values correspond to Min/Max Sampling Frequencies. Added Block Diagrams on page 2. Added T&R diagram on page 31. Corrected Average Supply Current for CT832BH to 36 $\mu$ A from 1.6 mA. Added curves for CT834DR. Moved Open Drain specs from Table 6 to Table 5..
0.94	2/19/18	Changed all references from North and South poles to Negative and Positive fields.
0.95	10/10/18	Corrected Average Supply Current value for CT832BH in Table 16 on page 28. Added Figures 33 to 36 and 51 to 52 on pages 18 and 24 respectively. Added Figures 37 and 38 on page 20. Added CT852AM section on pages 25 and 26. Updated Table 18 on page 32.
1.0	10/23/2018	Converted to CT85x data sheet and removed all CT83x parts. Updated Figure and Table numbers. Changed title of Figure 18 from Tape & Reel to Tape & Pocket on page 16.

**Disclaimer:** The contents of this document are provided for informational purposes only. CROCUS TECHNOLOGY, INC. AND CROCUS TECHNOLOGY SA (COLLECTIVELY "CROCUS") MAKE NO REPRESENTATIONS OR WARRANTY OF ANY KIND, EXPRESS OR IMPLIED, WITH RESPECT TO THE ACCURACY OR COMPLETENESS OF THE CONTENTS HEREIN, INCLUDING, BUT NOT LIMITED TO, THE IMPLIED WARRANTIES OF MERCHANTABILITY AND FITNESS FOR A PARTICULAR PURPOSE. Crocus reserves the right to make changes to the specifications and product descriptions, and/or to discontinue or make changes to its products at any time without notice. Crocus's products have not been designed, tested, or manufactured for use and should not be used in applications where the failure, malfunction or inaccuracy of the Products carries a risk of death or serious bodily injury or damage to tangible property, including, but not limited to, life support systems, nuclear facilities, military, aircraft navigation or communication, emergency systems, harsh environments, or other applications with a similar degree of potential hazard.

© 2018 Crocus Technology, Inc. and Crocus Technology SA. All rights reserved. Crocus Technology, Intelligence in Sensing, MLU, and combinations thereof are trademarks of Crocus Technology, Inc. and Crocus Technology SA.

## Данный компонент на территории Российской Федерации

### Вы можете приобрести в компании MosChip.

Для оперативного оформления запроса Вам необходимо перейти по данной ссылке:

<http://moschip.ru/get-element>

Вы можете разместить у нас заказ для любого Вашего проекта, будь то серийное производство или разработка единичного прибора.

В нашем ассортименте представлены ведущие мировые производители активных и пассивных электронных компонентов.

Нашей специализацией является поставка электронной компонентной базы двойного назначения, продукции таких производителей как XILINX, Intel (ex.ALTERA), Vicor, Microchip, Texas Instruments, Analog Devices, Mini-Circuits, Amphenol, Glenair.

Сотрудничество с глобальными дистрибьюторами электронных компонентов, предоставляет возможность заказывать и получать с международных складов практически любой перечень компонентов в оптимальные для Вас сроки.

На всех этапах разработки и производства наши партнеры могут получить квалифицированную поддержку опытных инженеров.

Система менеджмента качества компании отвечает требованиям в соответствии с ГОСТ Р ИСО 9001, ГОСТ РВ 0015-002 и ЭС РД 009

### Офис по работе с юридическими лицами:

105318, г.Москва, ул.Щербаковская д.3, офис 1107, 1118, ДЦ «Щербаковский»

Телефон: +7 495 668-12-70 (многоканальный)

Факс: +7 495 668-12-70 (доб.304)

E-mail: [info@moschip.ru](mailto:info@moschip.ru)

Skype отдела продаж:

moschip.ru

moschip.ru\_4

moschip.ru\_6

moschip.ru\_9