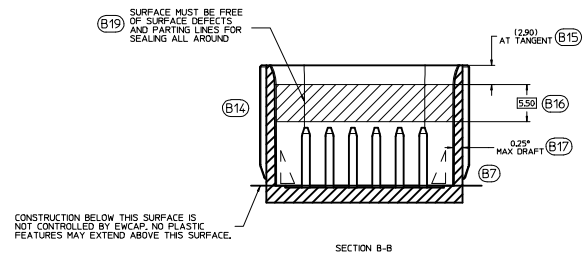
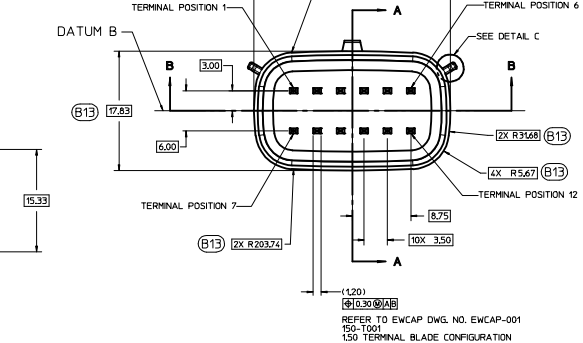
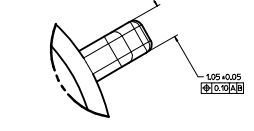
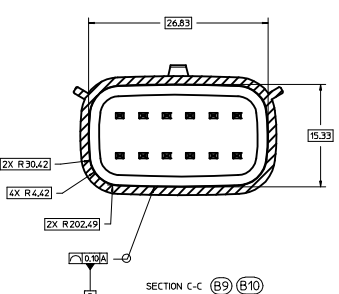
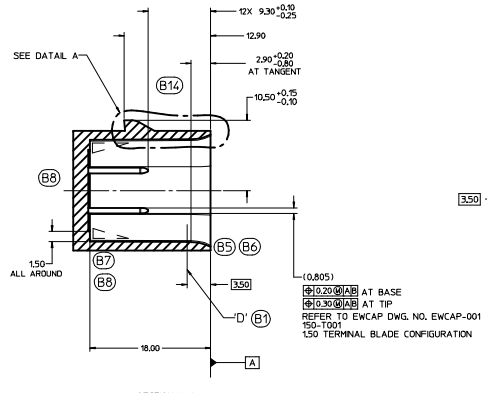
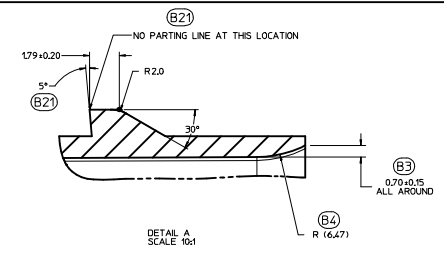
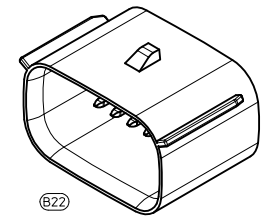
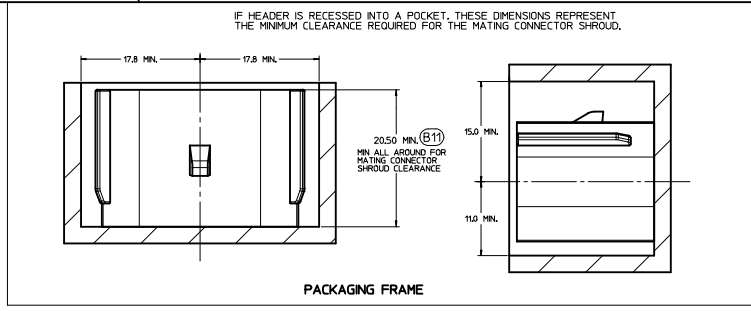


150-S-012-2-D01	D	BLACK
150-S-012-2-C01	C	DK GRAY
150-S-012-2-B01	B	LT GRAY
150-S-012-2-A01	A	BLACK

EWCAP P/N OPTION MATING CONNECTOR COLOR



CONSTRUCTION BELOW THIS SURFACE IS NOT CONTROLLED BY EWCAP. NO PLASTIC FEATURES MAY EXTEND ABOVE THIS SURFACE.



NOTICE
THIS DRAWING OR PORTIONS OF IT, ARE CONTROLLED BY THE ELECTRICAL WIRING COMPONENTS APPLICATION PARTNERSHIP (EWCAP), A SUBGROUP OF THE UNITED STATES CONSORTIUM FOR AUTOMOTIVE RESEARCH (USCAR). USCAR IS A PARTNERSHIP BETWEEN CHRYSLER GROUP LLC, FORD MOTOR COMPANY, AND GENERAL MOTORS CORPORATION ANY CHANGE TO A EWCAP CONTROLLED PORTION OF THIS DRAWING, INCLUDING A REVISION CHANGE, MUST BE APPROVED, IN WRITING, BY THE RESPONSIBLE EWCAP MEMBER FROM EACH USCAR COMPANY. EACH EWCAP MEMBER AUTHORIZED TO SIGN FOR HIS OR HER COMPANY IS RESPONSIBLE FOR OBTAINING ALL NECESSARY APPROVALS WITHIN THAT COMPANY PRIOR TO SIGNING FOR APPROVAL OF THE CHANGE. EWCAP EXPRESSLY PROHIBITS ANY PARTY FROM CHANGING OR ANY ASSOCIATED TOOLING BEFORE RECEIVING AN APPROVAL SIGNED BY AN AUTHORIZED REPRESENTATIVE FROM EACH EWCAP PARTNER. REFERENCE TO THE SIGNED APPROVAL FORM MUST BE ENTERED IN THIS DRAWING'S CONTROL COLUMN.

- NOTES: UNLESS OTHERWISE SPECIFIED (B18)**
- ALL DIMENSIONS SHOWN IN MILLIMETERS.
 - DIMENSIONING AND TOLERANCING PER ASME Y14.5M-1994
 - 0.25 RADI ON ALL CORNERS SHOWN SHARP.
 - UNSPECIFIED RADI: 0.25 EXCEPT AS NOTED.
 - STANDARD COLORS FOR POLARIZATION (SEE CHART). DEVIATION REQUIRES APPROVAL OF AUTHORIZED PERSON.
 - REFER TO "SAE/USCAR 12 CONNECTOR GUIDELINES" FOR ADDITIONAL REQUIREMENTS.
 - EXCEPT WHERE NOTED, DRAFT ON OUTSIDE SURFACES IS PERMISSIBLE WITH TOLERANCE.
 - Symbol indicates DRAFT DIRECTION.
 - FOR TERMINAL MATERIAL, DIMENSIONAL, AND COATING REQUIREMENTS AND ANY BLADE TERMINAL DESIGN INFORMATION NOT SHOWN ON THIS DRAWING SEE EWCAP DPM, NO. EWCAP-001
 - A FULL SHROUD ON THE MATING CONNECTOR IS REQUIRED TO INSURE THAT THE CONNECTOR-HEADER POLARIZATION FEATURES OPTIONS A THRU D WILL FUNCTION THE FULL SHROUD ALSO PREVENTS SCOOP DAMAGE TO THE HEADER PINS. REFER TO "SAE/USCAR-12 CONNECTOR DESIGN GUIDE LINES" FOR ADDITIONAL INFORMATION.
 - REFER TO USCAR/EWCAP PART LIST AS FOUND ON WEBSITE <http://www.uscar12.com>
 - THIS IS A 100% CAD GENERATED PART. THE CAD MATHEMATICAL DATA IS THE MASTER FOR THIS PART. FOR DIMENSIONAL OR ANY INFORMATION NOT SHOWN ON THIS DRAWING, ANALYZE THE CAD MODEL.

REV	DATE	BY	CHK	DESCRIPTION
095	B22			CHANGED ISO VIEW SCALE TO 4:1 WAS '11
095	B21			ADDED PARTING LINE NOTE TO DETAIL A. ALL DIMENSIONS ARE IN MILLIMETERS
095	B20			REVISED NOTE BACK ANGLE OPTIONAL FROM 5°
095	B19			CORRECTED CHRYSLER GROUP LLC NOMENCLATURE
095	B19			MOVED NOTE TO SECTION B-B
095	B18			UPDATED NOTES
095	B17			ADDED 0.25" MAX DRAFT ANGLE ALL AROUND
095	B16			ADDED 15.50
095	B15			ADDED AT TANGENT NOTE
095	B14			REMOVED DATUM D
095	B13			ADDED BASIC DIMENSIONS FOR PROFILE CONTROL.
095	B12			ADDED 16.020
095	B11			DIMENSIONED TO DATUM A
095	B10			SEALING SURFACE DIMENSIONS MOVED TO SECTION C-C
095	B9			ADDED SECTION C-C
095	B8			REMOVED 15.20 AND 2.50 FROM SECTION A-A
095	B7			ADDED DRAFT ANGLE DIRECTION
095	B6			REMOVED 0.80 +0.00/-0.20 ALL AROUND
095	B5			REVISED WALL THICKNESS CONTROL WITH PROFILE OF A SURFACE
095	B4			ADDED R16.47
095	B3			ADDED 0.70 +0.15 ALL AROUND
095	B2			UPDATED CONNECTOR COLORS
095	B1			SURFACE 'D' RELOCATED TO 15.50 WAS AT B20

LET	REVISION RECORD	DATE	DWN	CHK
		10-31-02	DG	JC

TOLERANCES UNLESS OTHERWISE SPECIFIED		1000 ANGLE PRECISION	
DIMENSIONS ARE IN MILLIMETERS			
ANGLES		°	
X	+0.2	XX	+0.10

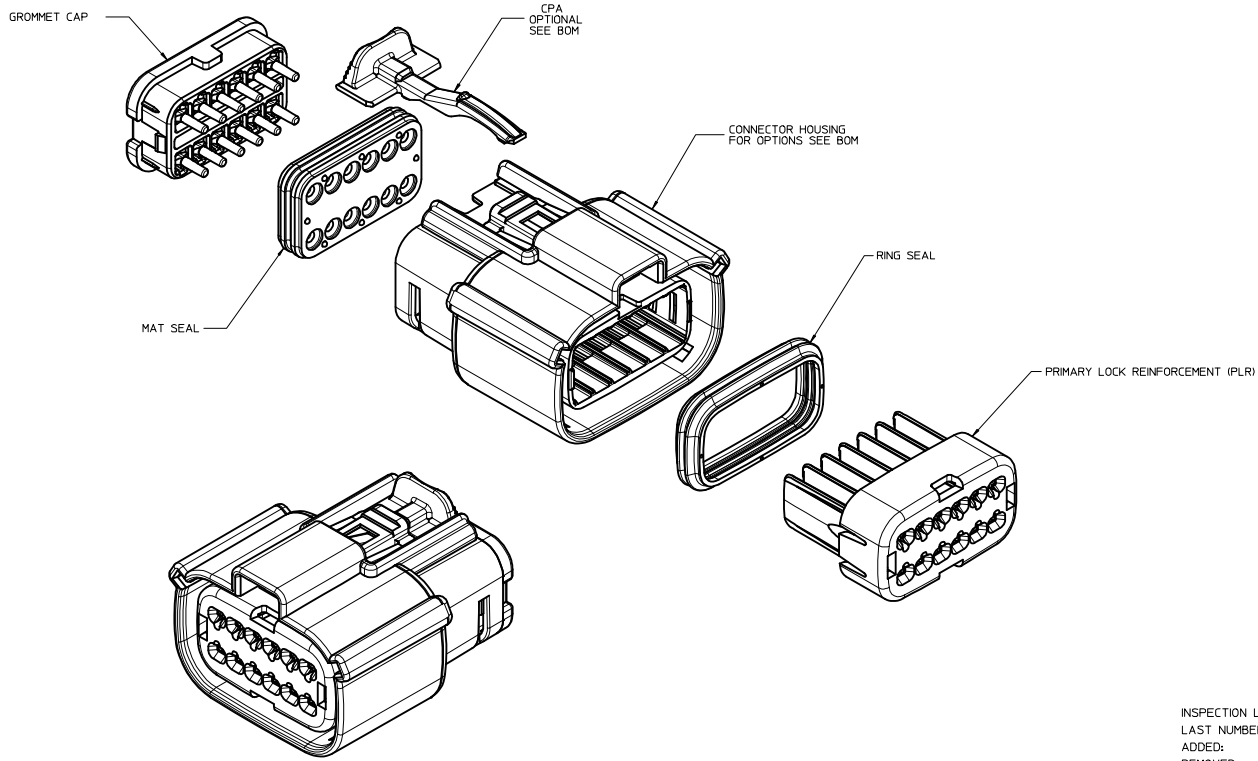
SCALE	4 - 1	DRAWN BY	R. CUNNINGHAM	DESIGNED BY	M. VANSLAMBROUCK	DATE	03-21-12
TITLE	DIRECT CONNECT INTERFACE 12 WAY (2 X 6) 1.5MM SEALED MALE						
SHEET	1 OF 1	DRWG NUMBER	150-S-012-2-Z01	REV	E	DO NOT SCALE DIMENSIONS	REVISION LEVEL
							B



TABLE OF CONTENTS	
SHEET NO.	SHEET DESCRIPTION
1	NOTES
2	KEY CONFIGURATIONS
3	RECEPTACLE SEALED ASSEMBLY
4	BACKSHELL NOTES
5	BACKSHELL
6	BACKSHELL CONFIGURATIONS
7-9	BOM

NOTES: VALID UNLESS OTHERWISE SPECIFIED

1. GENERAL:
- a. APPLICATION SPECIFICATION SEE: AS-33472-100
 - CONTAINS: PRODUCT INTRODUCTION, PRODUCT SUMMARY, CONNECTOR ASSEMBLY, PACKAGING INFORMATION, CONNECTOR MATING, SERVICE INSTRUCTIONS, ELECTRICAL CONTINUITY CHECKING, CRIMPING, AND TROUBLESHOOTING.
 - DESIGNED TO MATE WITH DEVICE CONNECTION AS SPECIFIED IN DRAWING EWCAP 150-S-012-2-201, AVAILABLE AT <http://ewcap.uscar.teame.org/>.
 - DESIGNED TO MATE WITH BLADE SEALED ASSEMBLY AS SPECIFIED IN DRAWING SD-33482-121
 - FOR 1.5mm RECEPTACLE TERMINALS TO BE USED WITH THIS ASSEMBLY, SEE MOLEX DRAWING SD-33012-002.
 - SYSTEM TO BE USED WITH WIRE WITHIN DIAMETER RANGE OF 12 mm TO 2.69 mm.
 - ASSEMBLY SHIPPED WITH PLR AND CPA IN PRE-LOCK POSITION (SEE SECTION Z-Z PRE-LOCK).
 - IN THE EVENT THAT THE PLR IS FOUND IN THE SEATED (FINAL LOCK) POSITION, REFER TO MOLEX SPECIFICATION PS-34646-001, AVAILABLE AT www.molex.com <http://www.molex.com>.
 - ASSEMBLY CONFORMS TO SAE/USCAR-2 REV.4 WITH THE FOLLOWING EXCEPTIONS: ENGAGEMENT FORCE TO MOVE CPA FROM PRE-LOCK TO FINAL LOCK POSITION WHEN UNMATED: 40N MIN. DISENGAGEMENT FORCE TO MOVE CPA FROM FINAL LOCK TO PRE-LOCK POSITION: 3N MIN. 40N MAX. TERMINAL INSERTION FORCE FOR WIRE DIAMETER ABOVE 2.5mm NOT EXCEEDING 2.69mm SHALL NOT EXCEED 40 NEWTONS.
 - b. PRODUCT SPECIFICATION SEE: PS-33472-000
 - CONTAINS: PRODUCT INTRODUCTION, PRODUCT SUMMARY, RATINGS (CURRENT, TEMPERATURE, SEALING, AND FLAMMABILITY), AND PRODUCT VALIDATION.
 - c. PACKAGING SPECIFICATION PER MOLEX DRAWING: PK-31300-903
 - d. PARTS MUST BE IN COMPLIANCE TO MOLEX CHEMICAL SUBSTANCES FOR PRODUCTS AND PACKAGING SPECIFICATION ES-40000-5016
 - e. DATA MUST BE SUBMITTED UNDER THE MOLEX PART NUMBER TO IMDS (COMPANY ID#13255)
 - f. FOR INFORMATION ON 2X6 RECEPTACLE SEALED ASSEMBLY WITH CLIP/SLOT SEE SD-33472-131
2. DESIGN - MATERIALS:
- a. SEE BOM TABLE
3. DESIGN - GEOMETRY:
- a. THIS IS A 100% CAD GENERATED PART. THE CAD MATHEMATICAL DATA IS THE MASTER FOR THIS PART. FOR DIMENSIONAL OR ANY INFORMATION NOT SHOWN ON THIS DRAWING, ANALYZE THE CAD MODEL.
 - b. GEOMETRIC DIMENSIONS AND TOLERANCES PER ASME Y14.5M - 1994
 - c. EDGES AND UNDIMENSIONED DETAILS PER ISO13715
 - d. CORNERS SHOWN AS SHARP TO BE R 0.2 MAX.
 - e. LETTERING SHALL BE 0.5 MAX RAISED IN 0.25 MAX RECESS PAD. THIS INCLUDES RECYCLING CODE, CAVITY ID, VENDOR IDENTIFICATION, AND CUSTOMER MATERIAL NUMBER.
 - f. VISUAL DEFECTS SHALL MEET COSMETIC STANDARD PS-45499-002 (Class B).
 - g. LASER MARKING: TBD

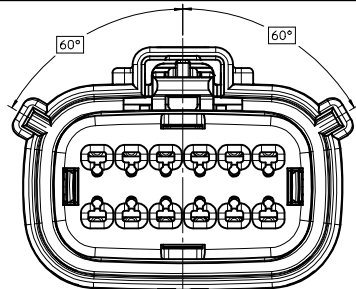


INSPECTION LOG
 LAST NUMBER USED:
 ADDED:
 REMOVED:

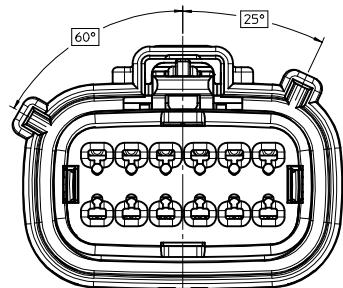
T5	RENAMED BACKSHELLS
T4	ADD NEW P/N 33472-1283 33472-1284 33472-1285
T3	ADDED CPA CALL OUT TO P/N 33472-1282
T2	ADD NEW P/N 33472-1282
T1	ADDED BACKSHELLS
T	ADD NEW P/N 33472-1281
S	ADD NEW P/N 33472-1279 33472-1280
R	ADD NEW P/N 33472-1278
O	REDRAWN
REV	DESCRIPTION

ENTER DESCRIPTION DEC NO: UAU2013-1404 DRWNG: DAHALL CHYD: 2013/03/06 APPROV: C. LISLE DESCRIPTION: 2013/03/07	QUALITY SYMBOLS	GENERAL TOLERANCES (UNLESS SPECIFIED)	DIMENSION STYLE	SCALE	DESIGN UNITS	TITLE
	▽=0	mm INCH	MM ONLY	3:1	METRIC	MX150 2X6 RECEPTACLE SEALED ASSEMBLY MAT SEAL
	▽=0	4 PLACES ±.000 ±.005	D. MARCOUX 06-13-02			THIRD ANGLE PROJECTION
	▽=0	3 PLACES ±.010 ±.015	D. GRIFFITHS 06-13-02			
	2 PLACES ±0.3 ±.03	APPROVED BY DATE				molex DOCUMENT NO. SD-33472-121 SHEET NO. 1 OF 9
	0 PLACE ±	ANGULAR ± 3 °				THIS DRAWING CONTAINS INFORMATION THAT IS PROPRIETARY TO MOLEX INCORPORATED AND SHOULD NOT BE USED WITHOUT WRITTEN PERMISSION

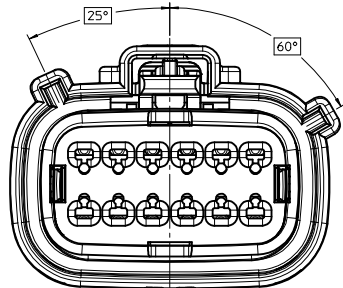
KEY CONFIGURATIONS



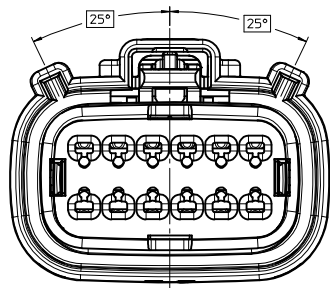
KEY A



KEY B



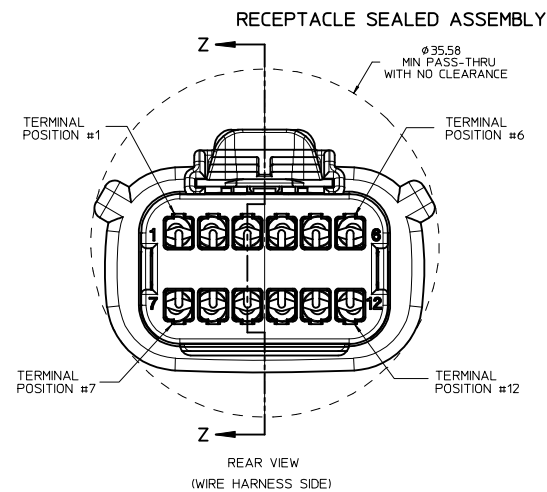
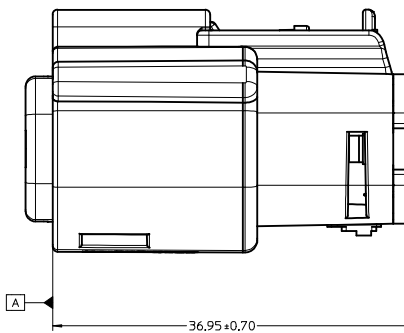
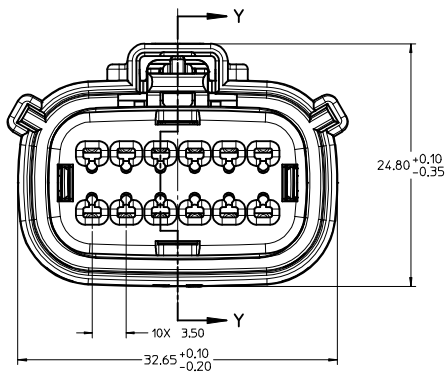
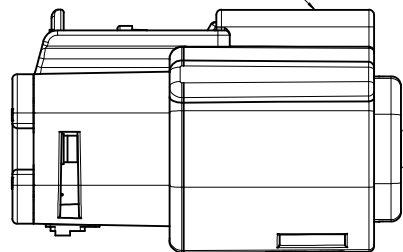
KEY C



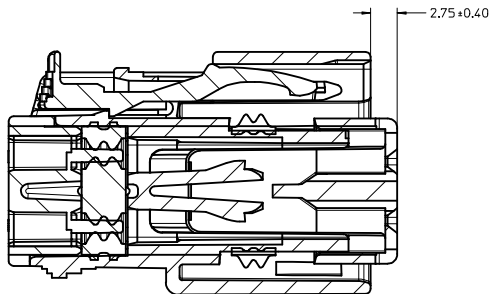
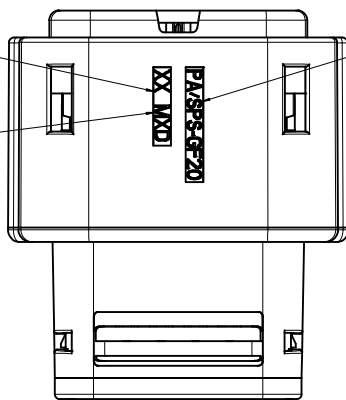
KEY D

ENTER DESCRIPTION DEC NO: UAU2013-1404 DRAWN BY: DRWNGR/HALL CHYK: TS APPROV: C. LISLE 2013/03/06 2013/03/07	QUALITY SYMBOLS ▽=0 ▽=0 ▽=0	GENERAL TOLERANCES (UNLESS SPECIFIED) mm INCH 4 PLACES ± --- ± --- 3 PLACES ± --- ± --- 2 PLACES ± 0.10 ± --- 1 PLACE ± 0.3 ± --- 0 PLACE ± ±	DIMENSION STYLE MM ONLY	SCALE 4:1	DESIGN UNITS METRIC	THIRD ANGLE PROJECTION	
	DRAFT WHERE APPLICABLE MUST REMAIN WITHIN DIMENSIONS	ANGLUAR ± 3 °	DRAWN BY: D. MARCOUX DATE: 06-13-02 CHECKED BY: D. GRIFFITHS DATE: 06-13-02 APPROVED BY: F. HOLUB DATE: 06-13-02	MATERIAL NO. SEE BOM	TITLE MX150 2X6 RECEPTACLE SEALED ASSEMBLY MAT SEAL	DOCUMENT NO. SD-33472-121	SHEET NO. 2 OF 9
	THIS DRAWING CONTAINS INFORMATION THAT IS PROPRIETARY TO MOLEX INCORPORATED AND SHOULD NOT BE USED WITHOUT WRITTEN PERMISSION						
	molex						

LASER MARKING ON THIS SURFACE
SEE NOTE 3g.

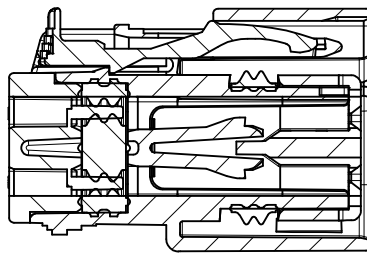


MOLD CAVITY CODE
LOCATION CODE
RECYCLE CODE



PRIMARY LOCK REINFORCEMENT (PLR) SHOWN
IN PRE-STAGE POSITION

SECTION Z-Z

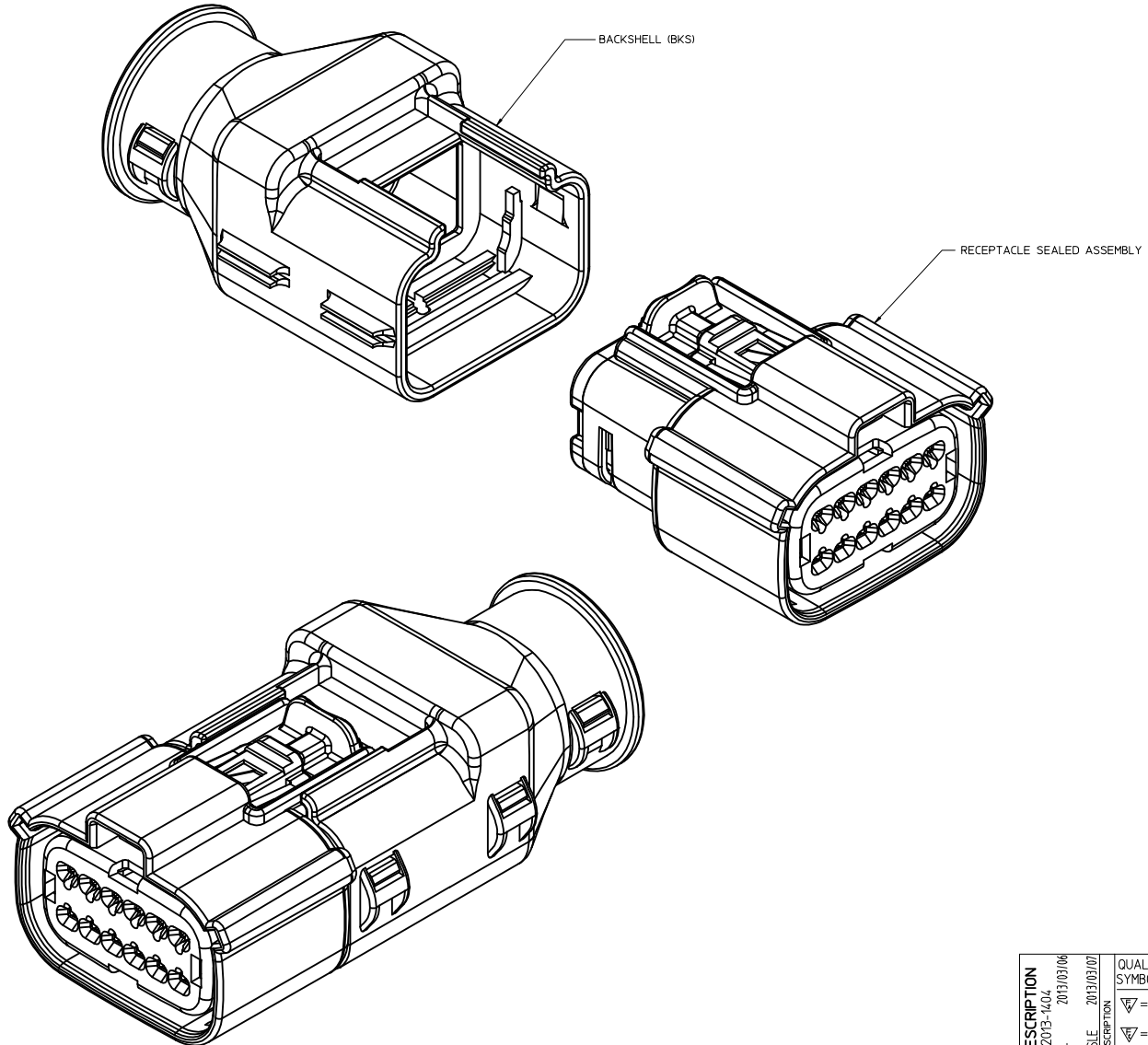


PRIMARY LOCK REINFORCEMENT (PLR) SHOWN
IN FINAL-LOCK POSITION

SECTION Y-Y

ENTER DESCRIPTION IEC NO. UAU2013-1404 DRAWN BY DRWNGRHALL CHKD: APPR:DC LISLE 2013/03/06 2013/03/07	QUALITY SYMBOLS	GENERAL TOLERANCES (UNLESS SPECIFIED)	DIMENSION STYLE	SCALE	DESIGN UNITS	THIRD ANGLE PROJECTION	
	∇=0 ∇=0 ∇=0	mm INCH 4 PLACES ± --- ± --- 3 PLACES ± --- ± --- 2 PLACES ± 0.10 ± --- 1 PLACE ± 0.3 ± --- 0 PLACE ± ±	MM ONLY	4:1	METRIC	DRAWN BY DATE D. MARCOUX 06-13-02 CHECKED BY DATE D. GRIFFITHS 06-13-02 APPROVED BY DATE F. HOLUB 06-13-02	TITLE MX150 2X6 RECEPTACLE SEALED ASSEMBLY MAT SEAL
	ANGULAR ± 3 ° DRAFT WHERE APPLICABLE MUST REMAIN WITHIN DIMENSIONS	MATERIAL NO.	SEE BOM	DOCUMENT NO.	SD-33472-121		SHEET NO. 3 OF 9
	THIS DRAWING CONTAINS INFORMATION THAT IS PROPRIETARY TO MOLEX INCORPORATED AND SHOULD NOT BE USED WITHOUT WRITTEN PERMISSION						molex

BACKSHELL NOTES



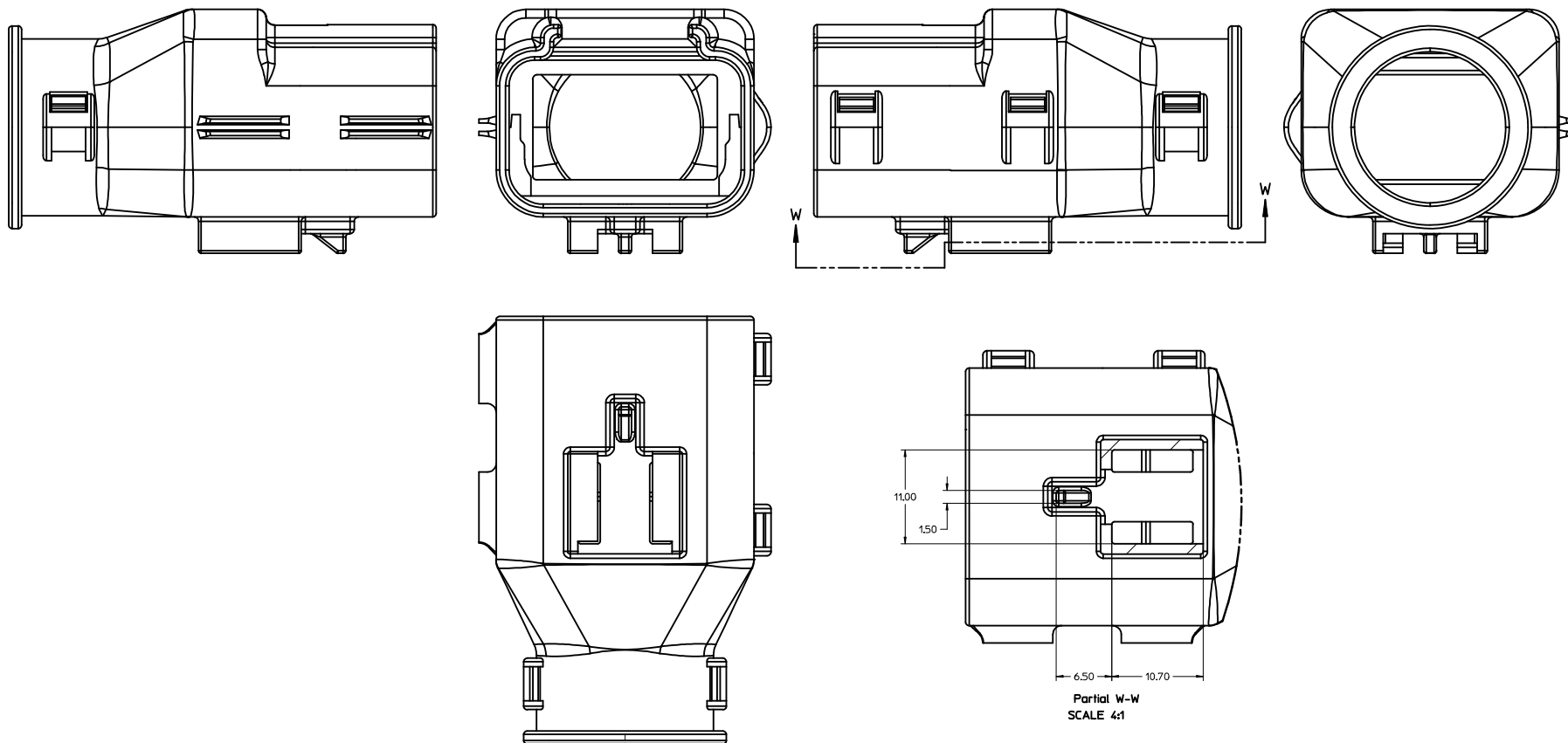
BACKSHELL NOTES: VALID UNLESS OTHERWISE SPECIFIED

1. GENERAL:
 - a. APPLICATION SPECIFICATION SEE: AS-*****TBD*****
 - DESIGNED TO MATE WITH RECEPTACLE SEALED ASSEMBLY SPECIFIED IN MOLEX DRAWING SD-33472-121.
 - SYSTEM TO BE USED WITH WIRE WITHIN DIAMETER RANGE OF TBDmm TO TBDmm.
 - COMPONENTS ARE OPTIONAL AND MUST BE PURCHASED SEPARATELY
 - BACKSHELL DESIGN IS OWNED BY SCHLEMMER
 - b. PRODUCT SPECIFICATION SEE: PS-*****TBD*****
 - c. PACKAGING SPECIFICATION PER MOLEX DRAWING: PK-*****TBD*****
 - d. PARTS MUST BE IN COMPLIANCE TO MOLEX CHEMICAL SUBSTANCES FOR PRODUCTS AND PACKAGING SPECIFICATION: ES-40000-5016
 - e. DATA MUST BE SUBMITTED UNDER THE MOLEX PART NUMBER TO IMDS (COMPANY ID#13255)
2. DESIGN - MATERIALS:
 - a. PA66 0% GLASS FILLED
 - b. BLACK
3. DESIGN - GEOMETRY:
 - a. THIS IS A 100% CAD GENERATED PART. THE CAD MATHEMATICAL DATA IS THE MASTER FOR THIS PART. FOR DIMENSIONAL OR ANY INFORMATION NOT SHOWN ON THIS DRAWING, ANALYZE THE CAD MODEL.
 - b. GEOMETRIC DIMENSIONS AND TOLERANCES PER ASME Y14.5M - 2009
 - c. EDGES AND UNDIMENSIONED DETAILS PER ISO13715
 - d. CORNERS SHOWN AS SHARP TO BE R 0.2 MAX.
 - e. VISUAL DEFECTS SHALL MEET COSMETIC STANDARD PS-45499-002 (Class B).

ENTER DESCRIPTION DEC NO: UAU2013-1404 DRAWN BY: DRW:DAHALL CHKD: APPR:DC LISLE 2013/03/06 2013/03/07	QUALITY SYMBOLS	GENERAL TOLERANCES (UNLESS SPECIFIED)	DIMENSION STYLE	SCALE	DESIGN UNITS	THIRD ANGLE PROJECTION
	▽=0	4 PLACES ± mm ± INCH	MM ONLY	4:1	METRIC	☉
	▽=0	3 PLACES ± 0.10 ± ---	DRAWN BY DATE	TITLE		
	▽=0	2 PLACES ± 0.3 ± ---	D. MARCOUX 06-13-02	MX150 2X6 RECEPTACLE SEALED ASSEMBLY MAT SEAL		
		ANGULAR ± 3 °	CHECKED BY DATE	molex		
		DRAFT WHERE APPLICABLE MUST REMAIN WITHIN DIMENSIONS	D. GRIFFITHS 06-13-02	DOCUMENT NO. SD-33472-121		
			APPROVED BY DATE	SHEET NO. 4 OF 9		
			F. HOLUB 06-13-02	THIS DRAWING CONTAINS INFORMATION THAT IS PROPRIETARY TO MOLEX INCORPORATED AND SHOULD NOT BE USED WITHOUT WRITTEN PERMISSION		

20 19 18 17 16 15 14 13 12 11 10 9 8 7 6 5 4 3 2 1

BACKSHELL

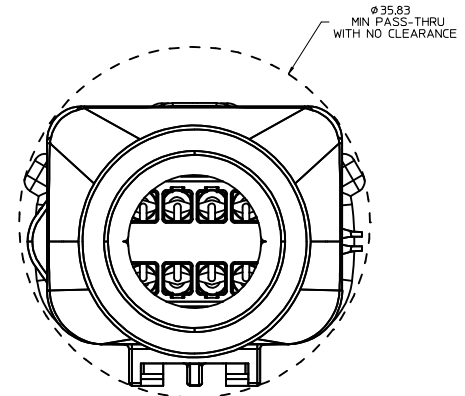
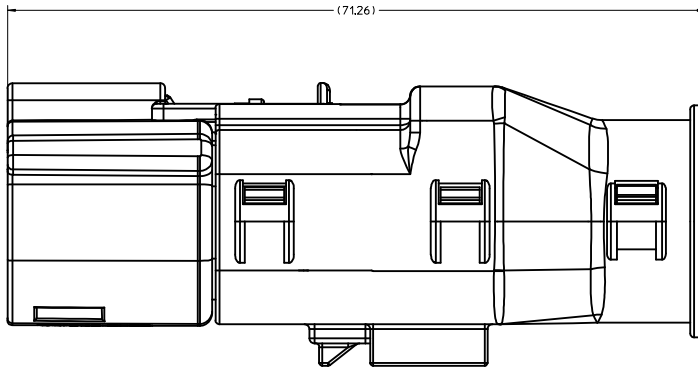


ENTER DESCRIPTION DEC NO: UAU2013-1404 DRAWN BY: DRWNS/DAHALL CHKD: LCHYD APPR: DC LISLE 2013/03/06 2013/03/07	QUALITY SYMBOLS ∇=0 ∇=0 ∇=0	GENERAL TOLERANCES (UNLESS SPECIFIED)		DIMENSION STYLE MM ONLY	SCALE 4:1	DESIGN UNITS METRIC	THIRD ANGLE PROJECTION
		4 PLACES ± .005 ± .005 3 PLACES ± .010 ± .010 2 PLACES ± 0.10 ± .010 1 PLACE ± 0.3 ± .010 0 PLACE ± ±	mm INCH ± .005 ± .005 ± .010 ± .010 ± .010 ± .010 ± .010 ± .010	DRAWN BY: D. MARCOUX DATE: 06-13-02 CHECKED BY: D. GRIFFITHS DATE: 06-13-02 APPROVED BY: F. HOLUB DATE: 06-13-02	TITLE MX150 2X6 RECEPTACLE SEALED ASSEMBLY MAT SEAL	MATERIAL NO: SEE BOM	DOCUMENT NO: SD-33472-121
ANGULAR ± 3 ° DRAFT WHERE APPLICABLE MUST REMAIN WITHIN DIMENSIONS		THIS DRAWING CONTAINS INFORMATION THAT IS PROPRIETARY TO MOLEX INCORPORATED AND SHOULD NOT BE USED WITHOUT WRITTEN PERMISSION					

19 18 17 16 15 14 13 12 11 10 9 8 7 6 5 4 3 2 1

20 19 18 17 16 15 14 13 12 11 10 9 8 7 6 5 4 3 2 1

BACKSHELL CONFIGURATIONS



RECEPTACLE SEALED ASSEMBLY WITH RECEPTACLE BACKSHELL

ENTER DESCRIPTION DEC NO: UAU2013-1404 DRAWN BY: DRW:DAHALL CHKD: LJSLE APPR: DC LJSLE 2013/03/06 2013/03/07	QUALITY SYMBOLS ∇=0 ∇=0 ∇=0	GENERAL TOLERANCES (UNLESS SPECIFIED)		DIMENSION STYLE MM ONLY	SCALE 4:1	DESIGN UNITS METRIC	THIRD ANGLE PROJECTION
		4 PLACES ± .005 ± .0005 3 PLACES ± .005 ± .0005 2 PLACES ± 0.10 ± .005 1 PLACE ± 0.3 ± .01 0 PLACE ± ±	mm INCH	DRAWN BY: D. MARCOUX DATE: 06-13-02 CHECKED BY: D. GRIFFITHS DATE: 06-13-02 APPROVED BY: F. HOLUB DATE: 06-13-02	TITLE MX150 2X6 RECEPTACLE SEALED ASSEMBLY MAT SEAL		
		ANGULAR ± 3 ° DRAFT WHERE APPLICABLE MUST REMAIN WITHIN DIMENSIONS		MATERIAL NO. SEE BOM	DOCUMENT NO. SD-33472-121	SHEET NO. 6 OF 9	
		THIS DRAWING CONTAINS INFORMATION THAT IS PROPRIETARY TO MOLEX INCORPORATED AND SHOULD NOT BE USED WITHOUT WRITTEN PERMISSION					

19 18 17 16 15 14 13 12 11 10 9 8 7 6 5 4 3 2 1

ASSEMBLY DESCRIPTION	ASSEMBLY PART NUMBER	A	B	C	D	CPA	1	2	3	4	5	6	7	8	9	10	11	12	STATUS	COMMENTS	OPTIONAL ATTACHMENTS SOLD SEPERATELY		
VOID KEY	33472-1240																			NOT RECOMMENDED		OK TO TOOL	OK TO TOOL
KEY D W/CPA, GREEN	33472-1239				D	CPA	1					6	7							NOT RECOMMENDED		OK TO TOOL	OK TO TOOL
KEY C W/CPA, BROWN	33472-1238				C	CPA	1					6	7							NOT RECOMMENDED		OK TO TOOL	OK TO TOOL
KEY B W/CPA, LIGHT GRAY	33472-1237				B	CPA	1					6	7							SALEABLE		OK TO TOOL	OK TO TOOL
KEY A W/CPA, BLACK	33472-1236	A				CPA	1					6	7							SALEABLE		OK TO TOOL	OK TO TOOL
VOID KEY	33472-1235																						
KEY D, GREEN	33472-1234				D		1					6	7							NOT RECOMMENDED		OK TO TOOL	OK TO TOOL
KEY C, BROWN	33472-1233				C		1					6	7							NOT RECOMMENDED		OK TO TOOL	OK TO TOOL
KEY B, LIGHT GRAY	33472-1232				B		1					6	7							SALEABLE		OK TO TOOL	OK TO TOOL
KEY A, BLACK	33472-1231	A					1					6	7							SALEABLE		OK TO TOOL	OK TO TOOL
VOID KEY	33472-1230																						
KEY D W/CPA, GREEN	33472-1229				D	CPA						6	7							NOT RECOMMENDED		OK TO TOOL	OK TO TOOL
KEY C W/CPA, BROWN	33472-1228				C	CPA						6	7							NOT RECOMMENDED		OK TO TOOL	OK TO TOOL
KEY B W/CPA, LIGHT GRAY	33472-1227				B	CPA						6	7							SALEABLE		OK TO TOOL	OK TO TOOL
KEY A W/CPA, BLACK	33472-1226	A				CPA						6	7							SALEABLE		OK TO TOOL	OK TO TOOL
VOID KEY	33472-1225																						
KEY D, GREEN	33472-1224				D							6	7							NOT RECOMMENDED		OK TO TOOL	OK TO TOOL
KEY C, BROWN	33472-1223				C							6	7							NOT RECOMMENDED		OK TO TOOL	OK TO TOOL
KEY B, LIGHT GRAY	33472-1222				B							6	7							SALEABLE		OK TO TOOL	OK TO TOOL
KEY A, BLACK	33472-1221	A										6	7							SALEABLE		OK TO TOOL	OK TO TOOL
VOID KEY	33472-1220																						
KEY D W/CPA, GREEN	33472-1219				D	CPA						6								NOT RECOMMENDED		OK TO TOOL	OK TO TOOL
KEY C W/CPA, BROWN	33472-1218				C	CPA						6								NOT RECOMMENDED		OK TO TOOL	OK TO TOOL
KEY B W/CPA, LIGHT GRAY	33472-1217				B	CPA						6								SALEABLE		OK TO TOOL	OK TO TOOL
KEY A W/CPA, BLACK	33472-1216	A				CPA						6								SALEABLE		OK TO TOOL	OK TO TOOL
VOID KEY	33472-1215																						
KEY D, GREEN	33472-1214				D							6								NOT RECOMMENDED		OK TO TOOL	OK TO TOOL
KEY C, BROWN	33472-1213				C							6								NOT RECOMMENDED		OK TO TOOL	OK TO TOOL
KEY B, LIGHT GRAY	33472-1212				B							6								SALEABLE		OK TO TOOL	OK TO TOOL
KEY A, BLACK	33472-1211	A										6								SALEABLE		OK TO TOOL	OK TO TOOL
VOID KEY	33472-1210																						
KEY D W/CPA, GREEN	33472-1209				D	CPA														NOT RECOMMENDED	SEE P/N 33472-1260	OK TO TOOL	OK TO TOOL
KEY C W/CPA, BROWN	33472-1208				C	CPA														NOT RECOMMENDED	SEE P/N 33472-1259	OK TO TOOL	OK TO TOOL
KEY B W/CPA, LIGHT GRAY	33472-1207				B	CPA														SALEABLE		OK TO TOOL	OK TO TOOL
KEY A W/CPA, BLACK	33472-1206	A				CPA														SALEABLE		OK TO TOOL	OK TO TOOL
VOID KEY	33472-1205																						
KEY D, GREEN	33472-1204				D															NOT RECOMMENDED	SEE P/N 33472-1254	OK TO TOOL	OK TO TOOL
KEY C, BROWN	33472-1203				C															NOT RECOMMENDED	SEE P/N 33472-1253	OK TO TOOL	OK TO TOOL
KEY B, LIGHT GRAY	33472-1202				B															SALEABLE		OK TO TOOL	OK TO TOOL
KEY A, BLACK	33472-1201	A																		SALEABLE		OK TO TOOL	OK TO TOOL

BLOCKED TERMINAL		
CAVITY WITH A NUMBER INDICATES BLOCKED TERMINAL POSITION		
CAVITY WITHOUT A NUMBER INDICATES OPEN TERMINAL POSITION		
MAT SEAL	LIGHT BLUE	INHERENTLY LUBRICATED SILICONE
RING SEAL	GREEN	INHERENTLY LUBRICATED SILICONE
PLR	NATURAL	SPS/NYLON GF20
GROMMET CAP	BLACK	SPS/NYLON GF20
CPA	RED	PBT GF20
HOUSING KEYING OPTION D	STONE GRAY	SPS/NYLON GF20
HOUSING KEYING OPTION C	DARK GRAY	SPS/NYLON GF20
HOUSING KEYING OPTION D	GREEN	SPS/NYLON GF20
HOUSING KEYING OPTION C	BROWN	SPS/NYLON GF20
HOUSING KEYING OPTION B	LIGHT GRAY	SPS/NYLON GF20
HOUSING KEYING OPTION A	BLACK	SPS/NYLON GF20
DESCRIPTION	COLOR	MATERIAL

ABBREVIATION	COMPONENT
A	HOUSING KEY A
B	HOUSING KEY B
C	HOUSING KEY C
D	HOUSING KEY D
GC	GROMMET CAP
M	MAT SEAL
R	RING SEAL
P	PLR
CPA	CPA
BKS	BACKSHELL

ENTER DESCRIPTION IEC NO. UAU2013-1404 DRAWN BY: DRWNS/DHALL CHYK: 2013/03/06 APPR: DC LLSLE REV: 2013/03/07	QUALITY SYMBOLS ∇=0 ∇=0 ∇=0	GENERAL TOLERANCES (UNLESS SPECIFIED) mm INCH		DIMENSION STYLE MM ONLY	SCALE DESIGN UNITS METRIC	THIRD ANGLE PROJECTION MX150 2X6 RECEPTACLE SEALED ASSEMBLY MAT SEAL molex MATERIAL NO. SEE BOM DOCUMENT NO. SD-33472-121 SHEET NO. 7 OF 9
		4 PLACES ± --- ± --- 3 PLACES ± --- ± --- 2 PLACES ± 0.10 ± --- 1 PLACE ± 0.3 ± --- 0 PLACE ± ±		DRAWN BY: MARCOUX DATE: 06-13-02	CHECKED BY: D. GRIFFITHS DATE: 06-13-02	
		ANGULAR ± 3 ° DRAFT WHERE APPLICABLE MUST REMAIN WITHIN DIMENSIONS		APPROVED BY: F. HOLUB DATE: 06-13-02		

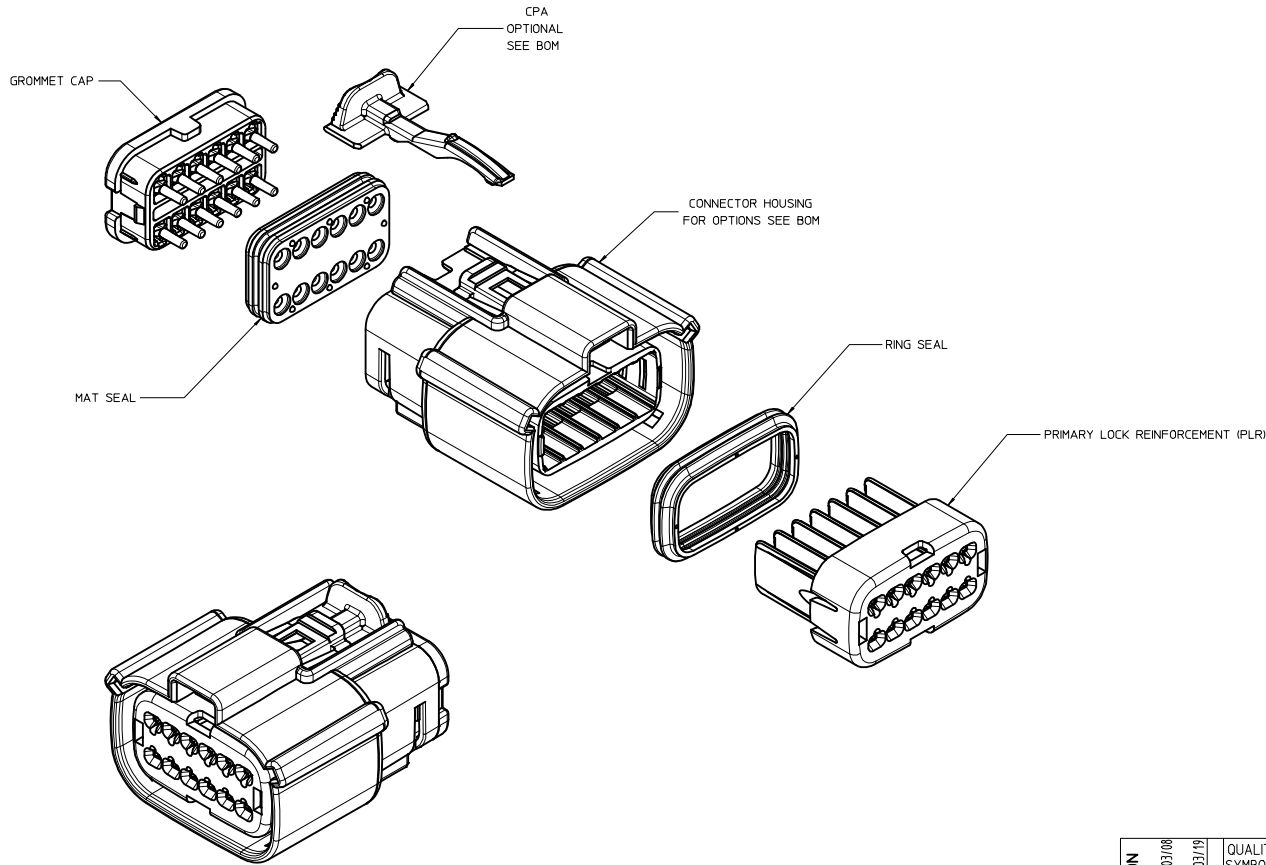
KEY DESCRIPTION	PART NUMBER	REV	A	B	C	D	CPA	1	2	3	4	5	6	7	8	9	10	11	12	STATUS	COMMENTS	34951-1210 BKS WITH RIBS	34951-1220 BKS WITHOUT RIBS	
KEY A, BLACK	33472-1281	A						1			4			7		9			12	SALEABLE		OK TO TOOL	OK TO TOOL	
KEY A, BLACK	33472-1280	A							2					7						SALEABLE		OK TO TOOL	OK TO TOOL	
KEY A, BLACK	33472-1279	A												7				11		SALEABLE		OK TO TOOL	OK TO TOOL	
KEY B W/CPA, LIGHT GRAY	33472-1278	A	B				CPA										10	11		SALEABLE		OK TO TOOL	OK TO TOOL	
KEY A, BLACK	33472-1277	A						1						7					12	SALEABLE		OK TO TOOL	OK TO TOOL	
KEY A, BLACK	33472-1276	A						1					6							SALEABLE		OK TO TOOL	OK TO TOOL	
KEY A, BLACK	33472-1275	A						1	2	3	4	5	6		8					SALEABLE		OK TO TOOL	OK TO TOOL	
KEY A W/CPA, BLACK	33472-1274	A					CPA						6					11	12	SALEABLE		OK TO TOOL	OK TO TOOL	
KEY A, BLACK	33472-1273	A											6			9	10	11	12	SALEABLE		OK TO TOOL	OK TO TOOL	
KEY A W/CPA, BLACK	33472-1272	A					CPA						6			9	10	11	12	SALEABLE		OK TO TOOL	OK TO TOOL	
KEY A W/CPA, BLACK	33472-1271	A					CPA				4		6					10	11	12	SALEABLE		OK TO TOOL	OK TO TOOL
KEY A W/CPA, BLACK	33472-1270	A					CPA							7		9			11	12	SALEABLE		OK TO TOOL	OK TO TOOL
KEY A W/CPA, BLACK	33472-1269	A					CPA	1	2		4		6	7	8		10	11	12	SALEABLE		OK TO TOOL	OK TO TOOL	
KEY A W/CPA, BLACK	33472-1268	A					CPA	1						7						SALEABLE		OK TO TOOL	OK TO TOOL	
KEY D W/CPA, STONE GRAY	33472-1267	A				D	CPA	1					6	7						SALEABLE		OK TO TOOL	OK TO TOOL	
KEY A W/CPA, BLACK	33472-1266	A					CPA												11	12	SALEABLE		OK TO TOOL	OK TO TOOL
KEY D W/CPA, STONE GRAY	33472-1265	A				D	CPA													SALEABLE		OK TO TOOL	OK TO TOOL	
KEY C W/CPA, DARK GRAY	33472-1264	A				C	CPA													SALEABLE		OK TO TOOL	OK TO TOOL	
KEY B W/CPA, LIGHT GRAY	33472-1263	A	B				CPA													SALEABLE		OK TO TOOL	OK TO TOOL	
KEY A W/CPA, BLACK	33472-1262	A					CPA								8	9	10	11	12	SALEABLE		OK TO TOOL	OK TO TOOL	
KEY A, BLACK	33472-1261	A														9	10			SALEABLE		OK TO TOOL	OK TO TOOL	
KEY D W/CPA, STONE GRAY	33472-1260	A				D	CPA													SALEABLE		OK TO TOOL	OK TO TOOL	
KEY C W/CPA, DARK GRAY	33472-1259	A				C	CPA													SALEABLE		OK TO TOOL	OK TO TOOL	
KEY A, BLACK	33472-1258	A						1	2	3	4	5	6	7	8	9	10	11	12	SALEABLE		OK TO TOOL	OK TO TOOL	
KEY A, BLACK	33472-1257	A													8					SALEABLE		OK TO TOOL	OK TO TOOL	
KEY A W/CPA, BLACK	33472-1256	A					CPA									9	10	11	12	SALEABLE		OK TO TOOL	OK TO TOOL	
KEY A W/CPA, BLACK	33472-1255	A					CPA												11	12	SALEABLE		OK TO TOOL	OK TO TOOL
KEY D, STONE GRAY	33472-1254	A				D														SALEABLE		OK TO TOOL	OK TO TOOL	
KEY C, DARK GRAY	33472-1253	A				C														SALEABLE		OK TO TOOL	OK TO TOOL	
KEY A W/CPA, BLACK	33472-1252	A					CPA									9	10			SALEABLE		OK TO TOOL	OK TO TOOL	
KEY A, BLACK	33472-1251	A											6							SALEABLE		OK TO TOOL	OK TO TOOL	
VOID KEY	33472-1250																							
KEY D W/CPA, GREEN	33472-1249	A				D	CPA	1					6	7						NOT RECOMMENDED		OK TO TOOL	OK TO TOOL	
KEY C W/CPA, BROWN	33472-1248	A				C	CPA	1					6	7						NOT RECOMMENDED		OK TO TOOL	OK TO TOOL	
KEY B W/CPA, LIGHT GRAY	33472-1247	A	B				CPA	1					6	7						SALEABLE		OK TO TOOL	OK TO TOOL	
KEY A W/CPA, BLACK	33472-1246	A					CPA	1					6	7						SALEABLE		OK TO TOOL	OK TO TOOL	
VOID KEY	33472-1245																							
KEY D, GREEN	33472-1244	A				D		1					6	7						NOT RECOMMENDED		OK TO TOOL	OK TO TOOL	
KEY C, BROWN	33472-1243	A				C		1					6	7						NOT RECOMMENDED		OK TO TOOL	OK TO TOOL	
KEY B, LIGHT GRAY	33472-1242	A	B					1					6	7						SALEABLE		OK TO TOOL	OK TO TOOL	
KEY A, BLACK	33472-1241	A						1					6	7						SALEABLE		OK TO TOOL	OK TO TOOL	

ABBREVIATION	COMPONENT
A	HOUSING KEY A
B	HOUSING KEY B
C	HOUSING KEY C
D	HOUSING KEY D
GC	GROMMET CAP
H	MAT SEAL
R	RING SEAL
P	PLR
CPA	CPA
BKS	BACKSHELL

DESCRIPTION	COLOR	MATERIAL
MAT SEAL	LIGHT BLUE	INHERENTLY LUBRICATED SILICONE
RING SEAL	GREEN	INHERENTLY LUBRICATED SILICONE
PLR	NATURAL	SPS/NYLON GF20
GROMMET CAP	BLACK	SPS/NYLON GF20
CPA	RED	PBT GF20
HOUSING KEYING OPTION D	STONE GRAY	SPS/NYLON GF20
HOUSING KEYING OPTION C	DARK GRAY	SPS/NYLON GF20
HOUSING KEYING OPTION D	GREEN	SPS/NYLON GF20
HOUSING KEYING OPTION C	BROWN	SPS/NYLON GF20
HOUSING KEYING OPTION B	LIGHT GRAY	SPS/NYLON GF20
HOUSING KEYING OPTION A	BLACK	SPS/NYLON GF20

ENTER DESCRIPTION IEC NO. UAU2013-1404 DRAWN BY: DRWNSD/HALL CHYK: 2013/03/06 APPR: DC LLS/L 2013/03/07 REV: DESCRIPTION	QUALITY SYMBOLS ∇=0 ∇=0 ∇=0	GENERAL TOLERANCES (UNLESS SPECIFIED) mm INCH 4 PLACES ±0.10 ±0.004 3 PLACES ±0.15 ±0.005 2 PLACES ±0.20 ±0.008 1 PLACE ±0.30 ±0.012 0 PLACE ±0.50 ±0.020	DIMENSION STYLE MM ONLY	SCALE DESIGN UNITS METRIC	THIRD ANGLE PROJECTION	
	DRAWN BY: MARCOUX DATE: 06-13-02	CHECKED BY: D. GRIFFITHS DATE: 06-13-02	APPROVED BY: F. HOLUB DATE: 06-13-02	MATERIAL NO. SEE BOM	DOCUMENT NO. SD-33472-121	SHEET NO. 8 OF 9
	TITLE MX150 2X6 RECEPTACLE SEALED ASSEMBLY MAT SEAL					
	molex					

TABLE OF CONTENTS	
SHEET NO.	SHEET DESCRIPTION
1	NOTES
2	KEY CONFIGURATIONS
3	RECEPTACLE SEALED ASSEMBLY
4	BOM



NOTES: VALID UNLESS OTHERWISE SPECIFIED

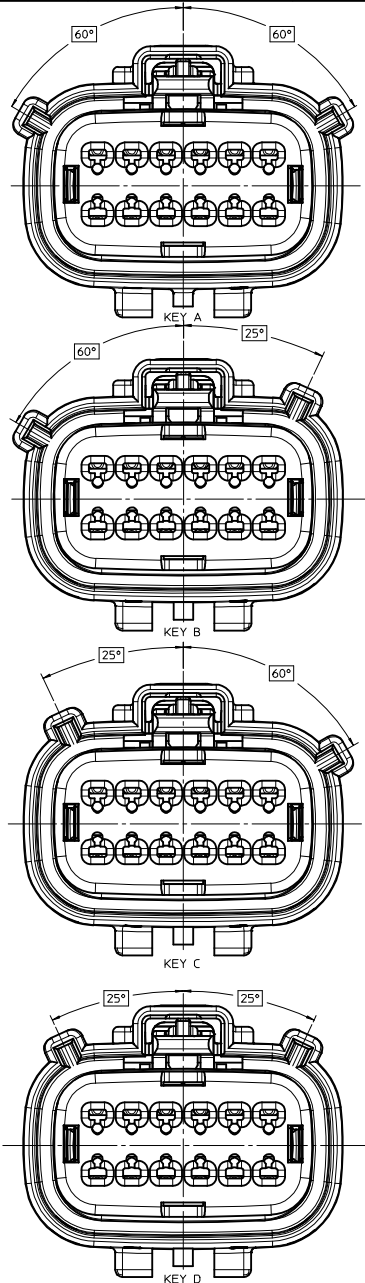
1. GENERAL:
 - a. APPLICATION SPECIFICATION SEE: AS-33472-100
 - CONTAINS: PRODUCT INTRODUCTION, PRODUCT SUMMARY, CONNECTOR ASSEMBLY, PACKAGING INFORMATION, CONNECTOR MATING, SERVICE INSTRUCTIONS, ELECTRICAL CONTINUITY CHECKING, CRIMPING, AND TROUBLESHOOTING
 - DESIGNED TO MATE WITH DEVICE CONNECTION AS SPECIFIED IN DRAWING EWCAP 150-5-012-2-201, AVAILABLE AT <http://ewcap.uscarteams.org/>
 - DESIGNED TO MATE WITH BLADE SEALED ASSEMBLY AS SPECIFIED IN DRAWING SD-33482-121
 - FOR 15mm RECEPTACLE TERMINALS TO BE USED WITH THIS ASSEMBLY. SEE MOLEX DRAWING SD-33012-002
 - SYSTEM TO BE USED WITH WIRE WITHIN DIAMETER RANGE OF 1.2 mm TO 2.69 mm.
 - ASSEMBLY SHIPPED WITH PLR AND CPA IN PRE-LOCK POSITION (SEE SECTION Z-Z PRE-LOCK).
 - IN THE EVENT THAT THE PLR IS FOUND IN THE SEATED (FINAL LOCK) POSITION, REFER TO MOLEX SPECIFICATION PS-34646-001, AVAILABLE AT www.molex.com <http://www.molex.com>
 - ASSEMBLY CONFORMS TO SAE/USCAR-2 REV.4 WITH THE FOLLOWING EXCEPTIONS: ENGAGEMENT FORCE TO MOVE CPA FROM PRE-LOCK TO FINAL LOCK POSITION WHEN UNMATED: 40N MIN. DISENGAGEMENT FORCE TO MOVE CPA FROM FINAL LOCK TO PRE-LOCK POSITION: 3N MIN. 40N MAX. TERMINAL INSERTION FORCE FOR WIRE DIAMETER ABOVE 2.5mm NOT EXCEEDING 2.69mm SHALL NOT EXCEED 40 NEWTONS.
 - b. PRODUCT SPECIFICATION SEE: PS-33472-000
 - CONTAINS: PRODUCT INTRODUCTION, PRODUCT SUMMARY, RATINGS (CURRENT, TEMPERATURE, SEALING, AND FLAMMABILITY), AND PRODUCT VALIDATION.
 - c. PACKAGING SPECIFICATION PER MOLEX DRAWING: PK-31300-903
 - d. PARTS MUST BE IN COMPLIANCE TO MOLEX CHEMICAL SUBSTANCES FOR PRODUCTS AND PACKAGING SPECIFICATION: ES-40000-5016
 - e. DATA MUST BE SUBMITTED UNDER THE MOLEX PART NUMBER TO IMDS (COMPANY ID#13255)
 - f. FOR INFORMATION ON 2X6 RECEPTACLE SEALED ASSEMBLY WITHOUT CLIPSLOT SEE SD-33472-121
2. DESIGN - MATERIALS:
 - a. CONNECTOR HOUSING: GROMMET CAP, PLR: SPS/NYLON 20% GLASS FILLED
 - b. MAT SEAL: INTERNALLY LUBRICATED SILICONE
3. DESIGN - GEOMETRY:
 - a. THIS IS A 100% CAD GENERATED PART. THE CAD MATHEMATICAL DATA IS THE MASTER FOR THIS PART. FOR DIMENSIONAL OR ANY INFORMATION NOT SHOWN ON THIS DRAWING, ANALYZE THE CAD MODEL.
 - b. GEOMETRIC DIMENSIONS AND TOLERANCES PER ASME Y14.5M - 1994
 - c. EDGES AND UNDIMENSIONED DETAILS PER ISO19715
 - d. CORNERS SHOWN AS SHARP TO BE R 0.2 MAX.
 - e. LETTERING SHALL BE 0.15 MAX RAISED IN 0.25 MAX RECESS PAD. THIS INCLUDES RECYCLING CODE, CAVITY ID, VENDOR IDENTIFICATION, AND CUSTOMER MATERIAL NUMBER.
 - f. VISUAL DEFECTS SHALL MEET COSMETIC STANDARD PS-45499-002 (Class B)
 - g. LASER MARKING: TBD

INSPECTION NUMBER LOG
 LAST NUMBER USED:
 ADDED:
 REMOVED:

AA5	ADD NEW P/N 33472-1407 33472-1408 33472-1409 33472-1410 33472-1411 33472-1412 33472-1413 33472-1414
AA4	UPDATE STATUS 33472-1303 33472-1304 33472-1308 33472-1309 33472-1313 33472-1314 33472-1318 33472-1319
AA4	UPDATED DIMENSIONS TO MATCH MODEL
AA3	ADD NEW P/N 33472-1401 33472-1402 33472-1404 33472-1404 33472-1405 33472-1406
AA2	ADD NEW P/N 33472-1398 33472-1399 33472-1400
AA1	UPDATED NOTES
AA	ADD NEW P/N 33472-1392 33472-1393 33472-1394 33472-1395 33472-1396 33472-1397
Z	ADD NEW P/N 33472-1391
Y	ADD NEW P/N 33472-1388 33472-1389
X	33472-1390
REV	REDRAWN

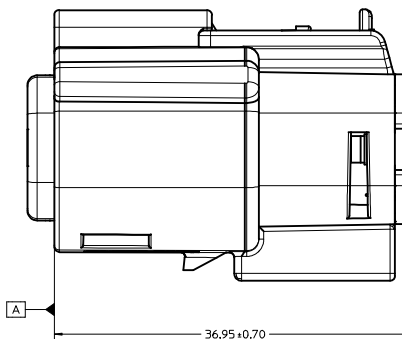
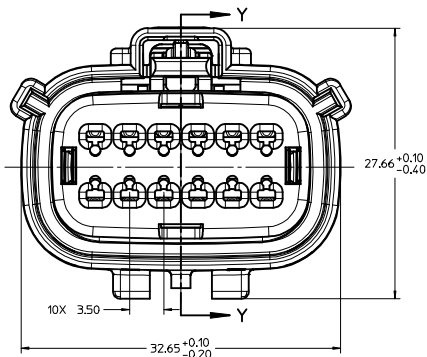
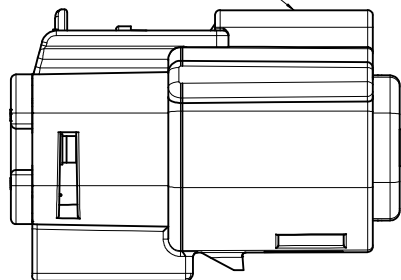
ENTER DESCRIPTION EEC NO: UAU2013-1417 DRAWN BY: CHKD: APPR: IKOSHY 2013/03/19 DESCRIPTION AA6	QUALITY SYMBOLS	GENERAL TOLERANCES (UNLESS SPECIFIED)	DIMENSION STYLE	SCALE	DESIGN UNITS	THIRD ANGLE PROJECTION	TITLE	MATERIAL NO.	DOCUMENT NO.	SHEET NO.	
	▽=0	mm INCH	MM ONLY	3:1	METRIC	☉	MX150 2X6 RECEPTACLE SEALED ASSEMBLY MAT SEAL, CLIPSLOT	SEE BOM	SD-33472-131	1 OF 4	
	▽=0	4 PLACES ± --- ± --- 3 PLACES ± --- ± --- 2 PLACES ± 0.10 ± --- 1 PLACE ± 0.3 ± --- 0 PLACE ± ±	D, GR1FF1THS 10-10-03 D, GR1FF1THS 10-10-03 D, GR1FF1THS 10-10-03 D, GR1FF1THS 10-10-03	DRAWN BY DATE CHECKED BY DATE APPROVED BY DATE							
	▽=0	ANGULAR ± 3 ° DRAFT WHERE APPLICABLE MUST REMAIN WITHIN DIMENSIONS		SIZE D			THIS DRAWING CONTAINS INFORMATION THAT IS PROPRIETARY TO MOLEX INCORPORATED AND SHOULD NOT BE USED WITHOUT WRITTEN PERMISSION				

KEY CONFIGURATIONS

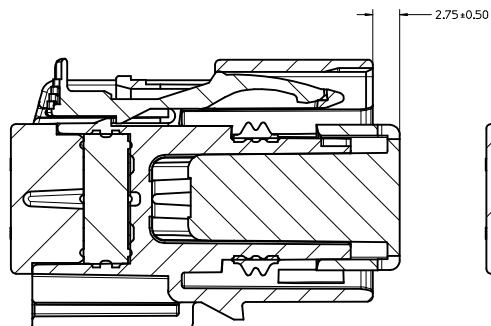
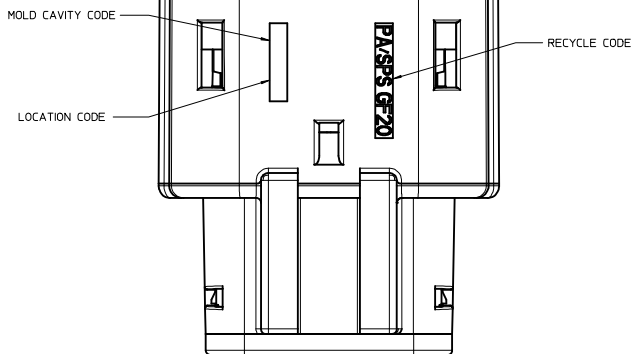
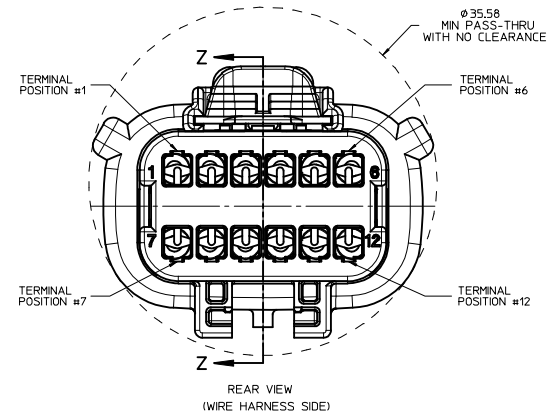


ENTER DESCRIPTION EC NO. UAU2013-147 DRAWN BY 2013/03/08 CHYD: APPR: WOSHY 2013/03/19 REVISION DESCRIPTION	QUALITY SYMBOLS ▽=0 ▽=0 ▽=0		GENERAL TOLERANCES (UNLESS SPECIFIED) mm INCH 4 PLACES ± --- ± --- 3 PLACES ± --- ± --- 2 PLACES ± 0.10 ± --- 1 PLACE ± 0.3 ± --- 0 PLACE ± ± ANGULAR ± 3 ° DRAFT WHERE APPLICABLE MUST REMAIN WITHIN DIMENSIONS		DIMENSION STYLE MM ONLY DRAWN BY DATE D. GRIFFITHS 10-10-03 CHECKED BY DATE D. GRIFFITHS 10-10-03 APPROVED BY DATE D. GRIFFITHS 10-10-03		SCALE 4:1 DESIGN UNITS METRIC THIRD ANGLE PROJECTION		TITLE MX150 2X6 RECEPTACLE SEALED ASSEMBLY MAT SEAL, CLIPSLOT molex MATERIAL NO. SEE BOM DOCUMENT NO. SD-33472-131		SHEET NO. 2 OF 4	
	SIZE D		THIS DRAWING CONTAINS INFORMATION THAT IS PROPRIETARY TO MOLEX INCORPORATED AND SHOULD NOT BE USED WITHOUT WRITTEN PERMISSION									
	AA6											
	19 18 17 16 15 14 13 12 11 10 9 8 7 6 5 4 3 2 1											

OPTIONAL LASER MARKING ON THIS SURFACE SEE NOTE 3g.

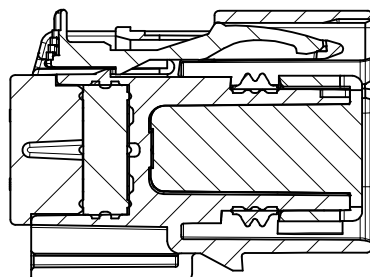


RECEPTACLE SEALED ASSEMBLY



PRIMARY LOCK REINFORCEMENT (PLR) SHOWN IN PRE-STAGED POSITION

SECTION Z-Z

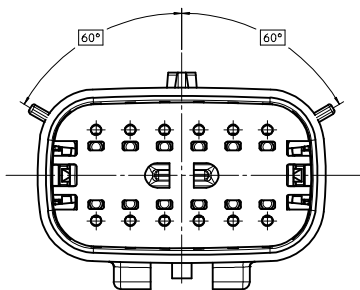


PRIMARY LOCK REINFORCEMENT (PLR) SHOWN IN FINAL-LOCK POSITION

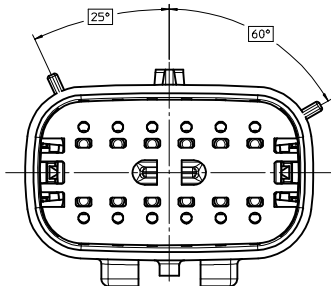
SECTION Y-Y

ENTER DESCRIPTION ELEC NO. UAU2013-1417 DRAWN BY CHYKJ APPR: WOSHY 2013/03/08 2013/03/19 AA6	QUALITY SYMBOLS	GENERAL TOLERANCES (UNLESS SPECIFIED)	DIMENSION STYLE	SCALE	DESIGN UNITS	THIRD ANGLE PROJECTION	
	∇=0 ∇=0 ∇=0	mm INCH 4 PLACES ± ± 3 PLACES ± ± 2 PLACES ±0.10 ± ± 1 PLACE ±0.3 ± ± 0 PLACE ± ±	MM ONLY	4:1	METRIC	DRAWN BY DATE D. GRIFFITHS 10-10-03 CHECKED BY DATE D. GRIFFITHS 10-10-03 APPROVED BY DATE D. GRIFFITHS 10-10-03	TITLE MX150 2X6 RECEPTACLE SEALED ASSEMBLY MAT SEAL, CLIPSLOT molex DOCUMENT NO. SD-33472-131
	ANGULAR ± 3 ° DRAFT WHERE APPLICABLE MUST REMAIN WITHIN DIMENSIONS	MATERIAL NO. SEE BOM	SHEET NO. 3 OF 4				
	THIS DRAWING CONTAINS INFORMATION THAT IS PROPRIETARY TO MOLEX INCORPORATED AND SHOULD NOT BE USED WITHOUT WRITTEN PERMISSION						

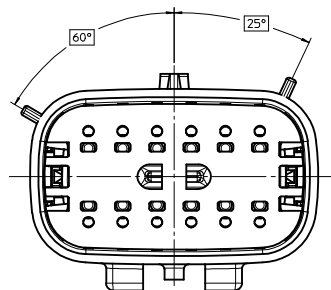
KEY CONFIGURATIONS



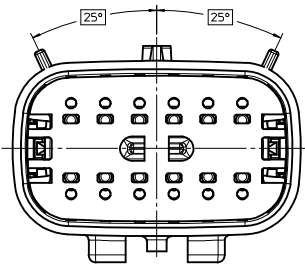
KEY A



KEY B



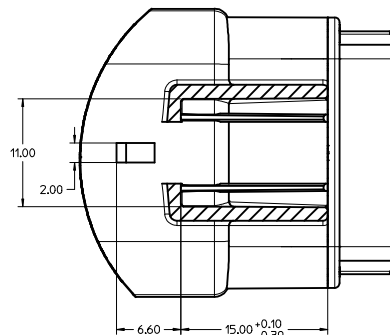
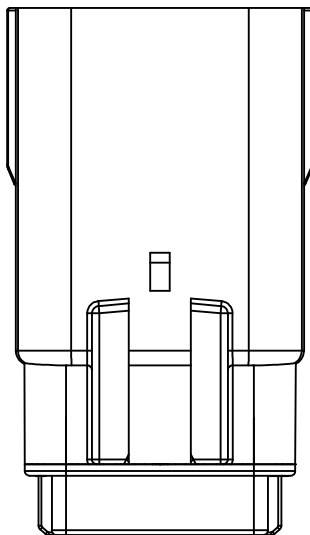
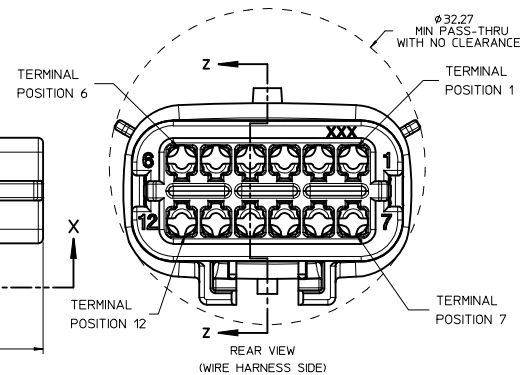
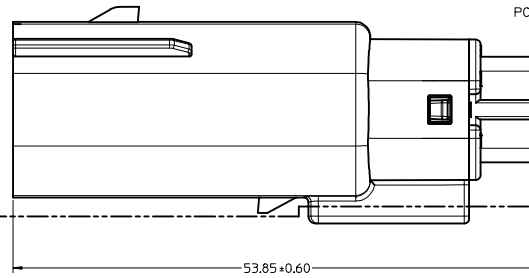
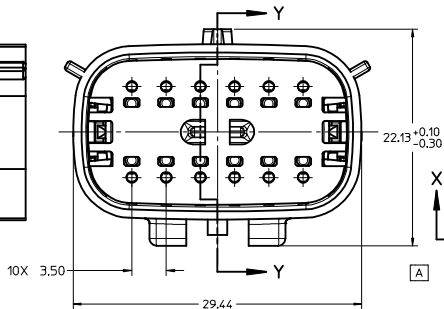
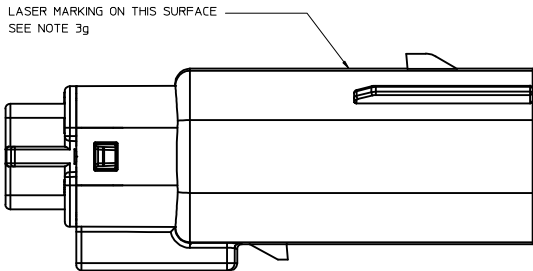
KEY C



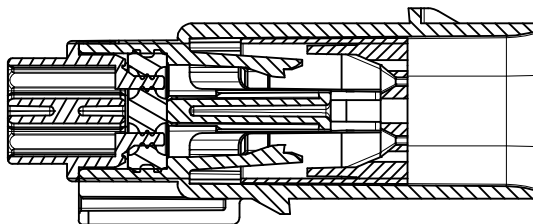
KEY D

ENTER DESCRIPTION IEC NO: UAU2013-1432 DRAWN: APPROFIT 2013/03/11 CHYK: MOICK 2013/03/13 APPR: IKOSHY 2013/03/15 REVISIONS N DESCRIPTION	QUALITY SYMBOLS	GENERAL TOLERANCES (UNLESS SPECIFIED)	DIMENSION STYLE	SCALE	DESIGN UNITS	THIRD ANGLE PROJECTION
	∇=0 ∇=0 ∇=0	4 PLACES ± mm ± INCH 3 PLACES ± --- ± --- 2 PLACES ± 0.10 ± --- 1 PLACE ± 0.3 ± --- 0 PLACE ± ±	MM ONLY	4:1	METRIC	DRAWN BY DATE DGRIFFI THS 05-16-03 CHECKED BY DATE DGRIFFI THS 05-16-03 APPROVED BY DATE DGRIFFI THS 05-16-03
	ANGULAR ± 3 ° DRAFT WHERE APPLICABLE MUST REMAIN WITHIN DIMENSIONS		SEE BOM	MATERIAL NO. SD-33482-121 DOCUMENT NO.		TITLE MX150 2X6 BLADE SEALED ASSEMBLY MAT SEAL molex SHEET NO. 2 OF 10
	THIS DRAWING CONTAINS INFORMATION THAT IS PROPRIETARY TO MOLEX INCORPORATED AND SHOULD NOT BE USED WITHOUT WRITTEN PERMISSION					

BLADE SEALED ASSEMBLY

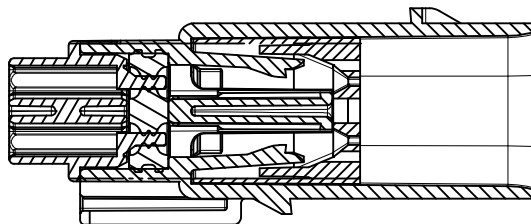


Partial X-X
SCALE 4:1



PRIMARY LOCK REINFORCER (PLR) SHOWN
IN PRE-STAGED POSITION

SECTION Z-Z



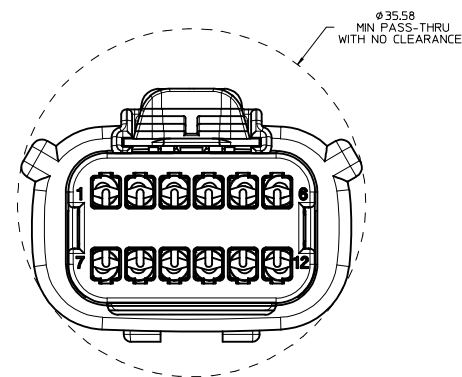
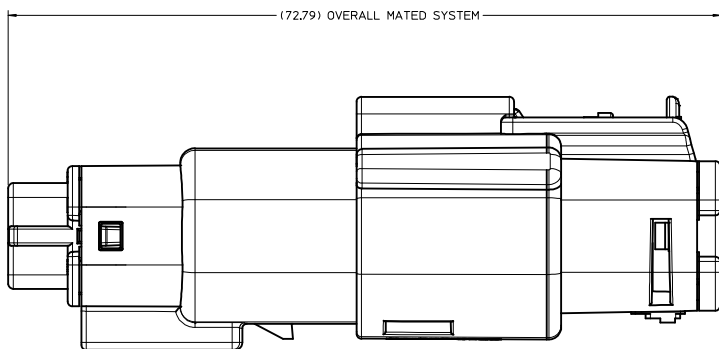
PRIMARY LOCK REINFORCER (PLR) SHOWN
IN FINAL-LOCK POSITION

SECTION Y-Y

ENTER DESCRIPTION IEC NO. UAU2013-1432 DRAWN/PROFIT 2013/03/13 CHKD/MDLCK 2013/03/13 APPR./KOSHY 2013/03/15 REV DESCRIPTION	QUALITY SYMBOLS	GENERAL TOLERANCES (UNLESS SPECIFIED)	DIMENSION STYLE	SCALE	DESIGN UNITS	THIRD ANGLE PROJECTION
	∇=0 ∇=0 ∇=0	mm INCH 4 PLACES ± --- ± --- 3 PLACES ± --- ± --- 2 PLACES ± 0.10 ± --- 1 PLACE ± 0.3 ± --- 0 PLACE ± ±	MM ONLY	4:1	METRIC	DRAWN BY DATE DGRIF ITHS 05-16-03 CHECKED BY DATE DGRIF ITHS 05-16-03 APPROVED BY DATE DGRIF ITHS 05-16-03
	ANGULAR ± 3 ° DRAFT WHERE APPLICABLE MUST REMAIN WITHIN DIMENSIONS	MATERIAL NO. SEE BOM	DOCUMENT NO. SD-33482-121	SHEET NO. 3 OF 10		
	THIS DRAWING CONTAINS INFORMATION THAT IS PROPRIETARY TO MOLEX INCORPORATED AND SHOULD NOT BE USED WITHOUT WRITTEN PERMISSION					

20 19 18 17 16 15 14 13 12 11 10 9 8 7 6 5 4 3 2 1

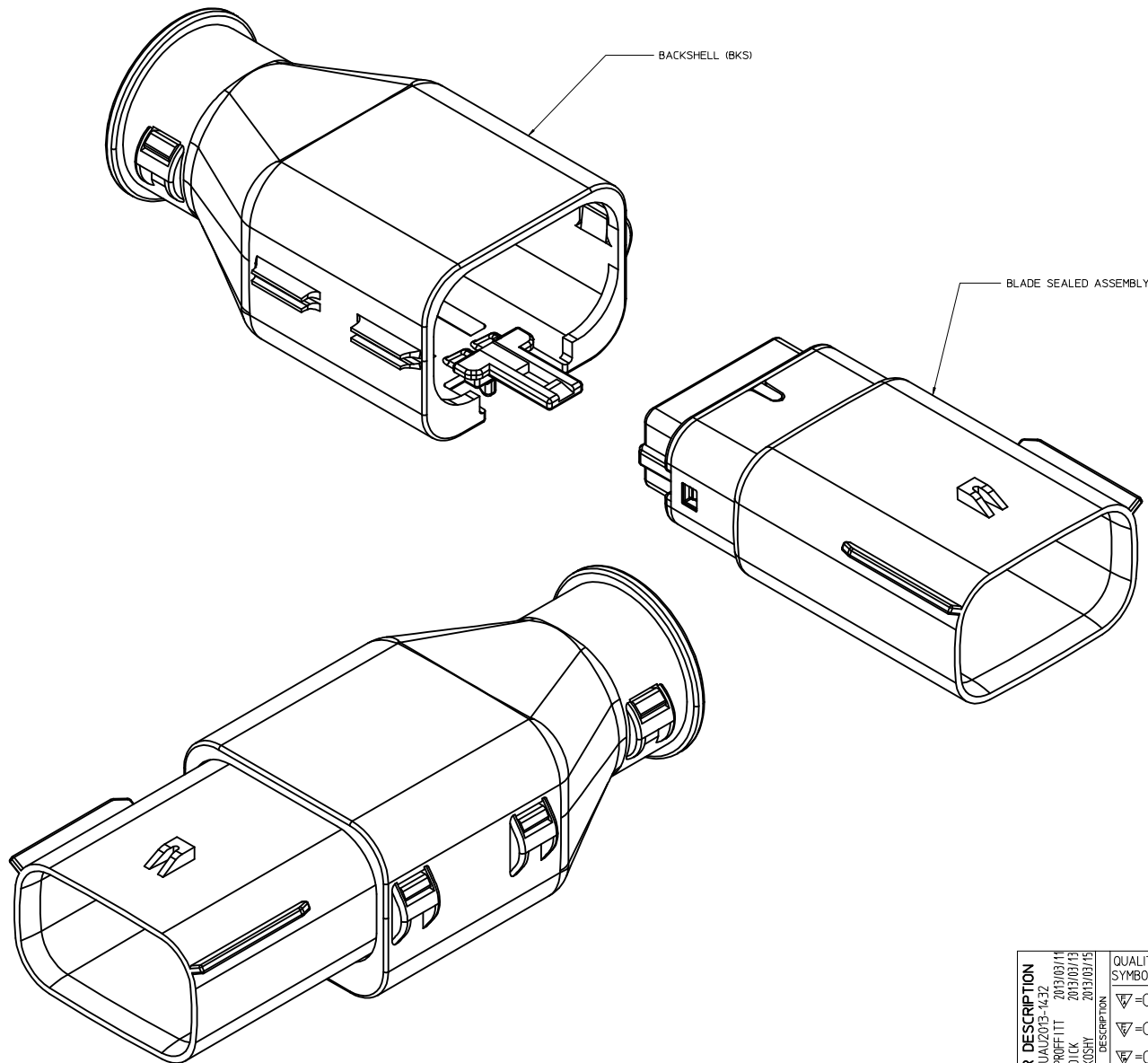
SYSTEM PACKAGING



ENTER DESCRIPTION IEC NO. UAU2013-1432 DRAWN BY: CHYKHOLOK 2013/03/13 APPR: VKOSHY 2013/03/15	QUALITY SYMBOLS	GENERAL TOLERANCES (UNLESS SPECIFIED)		DIMENSION STYLE	SCALE	DESIGN UNITS	THIRD ANGLE PROJECTION
	▽=0	mm	INCH	MM ONLY	4:1	METRIC	☉
	▽=0	4 PLACES ±	±	DRAWN BY: DGRIFLITHS	DATE: 05-16-03	MX150 2X6 BLADE SEALED ASSEMBLY MAT SEAL molex	
	▽=0	3 PLACES ±	±	CHECKED BY: DGRIFLITHS	DATE: 05-16-03		
▽=0	2 PLACES ±0.10	±	APPROVED BY: DGRIFLITHS	DATE: 05-16-03	MATERIAL NO. SEE BOM	DOCUMENT NO. SD-33482-121	SHEET NO. 4 OF 10
▽=0	1 PLACE ±0.3	±	DRAFT WHERE APPLICABLE MUST REMAIN WITHIN DIMENSIONS		THIS DRAWING CONTAINS INFORMATION THAT IS PROPRIETARY TO MOLEX INCORPORATED AND SHOULD NOT BE USED WITHOUT WRITTEN PERMISSION		
	0 PLACE ±	±	ANGULAR ± 3 °				

19 18 17 16 15 14 13 12 11 10 9 8 7 6 5 4 3 2 1

BACKSHELL NOTES



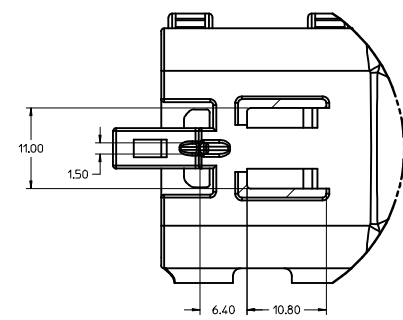
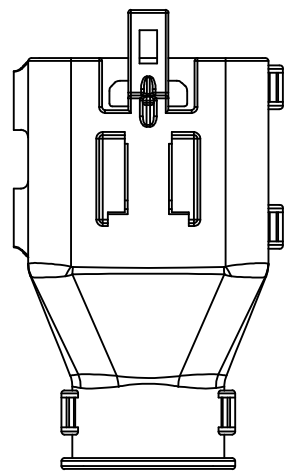
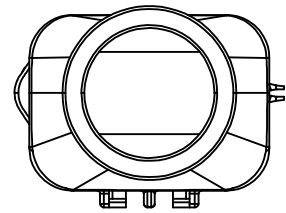
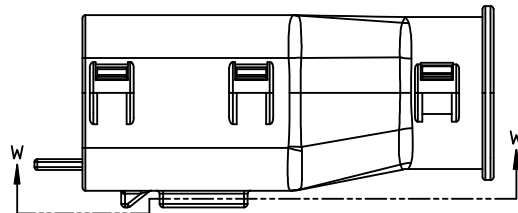
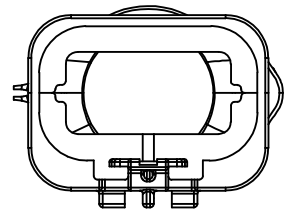
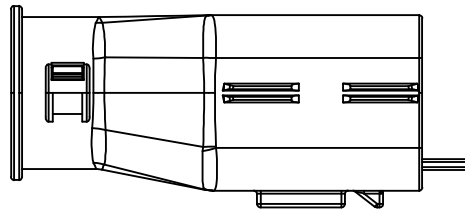
BACKSHELL NOTES: VALID UNLESS OTHERWISE SPECIFIED

1. GENERAL:
 - a. APPLICATION SPECIFICATION SEE: AS-*****TBD*****
 - DESIGNED TO MATE WITH BLADE SEALED ASSEMBLY SPECIFIED IN MOLEX DRAWING SD-33482-121.
 - SYSTEM TO BE USED WITH WIRE WITHIN DIAMETER RANGE OF TBDmm TO TBDmm.
 - COMPONENTS ARE OPTIONAL AND MUST BE PURCHASED SEPARATELY
 - BACKSHELL DESIGN IS OWNED BY SCHLEMMER
 - b. PRODUCT SPECIFICATION SEE: PS-*****TBD*****
 - c. PACKAGING SPECIFICATION PER MOLEX DRAWING: PK-*****TBD*****
 - d. PARTS MUST BE IN COMPLIANCE TO MOLEX CHEMICAL SUBSTANCES FOR PRODUCTS AND PACKAGING SPECIFICATION: ES-40000-5016
 - e. DATA MUST BE SUBMITTED UNDER THE MOLEX PART NUMBER TO IMDS (COMPANY ID=13255)
2. DESIGN - MATERIALS:
 - a. PA66 0% GLASS FILLED
 - b. BLACK
3. DESIGN - GEOMETRY:
 - a. THIS IS A 100% CAD GENERATED PART. THE CAD MATHEMATICAL DATA IS THE MASTER FOR THIS PART. FOR DIMENSIONAL OR ANY INFORMATION NOT SHOWN ON THIS DRAWING, ANALYZE THE CAD MODEL.
 - b. GEOMETRIC DIMENSIONS AND TOLERANCES PER ASME Y14.5M - 2009
 - c. EDGES AND UNDIMENSIONED DETAILS PER ISO13715
 - d. CORNERS SHOWN AS SHARP TO BE R 0.2 MAX.
 - e. VISUAL DEFECTS SHALL MEET COSMETIC STANDARD PS-45499-002 (Class B).

ENTER DESCRIPTION IEC NO: JAU2013-1432 DRAWN BY: CHYKHOLOK CHECKED BY: APPR:VKOSHY DATE: 2013/03/13 DATE: 2013/03/15	QUALITY SYMBOLS	GENERAL TOLERANCES (UNLESS SPECIFIED)	DIMENSION STYLE	SCALE	DESIGN UNITS	THIRD ANGLE PROJECTION	
	∇=0 ∇=0 ∇=0	mm INCH 4 PLACES ± ± 3 PLACES ±0.10 ± 2 PLACES ±0.3 ± 1 PLACE ± ± 0 PLACE ± ±	MM ONLY	2:1	METRIC	DRAWN BY: DGRIFITHS DATE: 05-16-03 CHECKED BY: DGRIFITHS DATE: 05-16-03 APPROVED BY: DGRIFITHS DATE: 05-16-03	MX150 2X6 BLADE SEALED ASSEMBLY MAT SEAL molex
	ANGLAR ± 3 ° DRAFT WHERE APPLICABLE MUST REMAIN WITHIN DIMENSIONS	MATERIAL NO: SEE BOM SIZE: D	DOCUMENT NO: SD-33482-121	SHEET NO: 5 OF 10			
	THIS DRAWING CONTAINS INFORMATION THAT IS PROPRIETARY TO MOLEX INCORPORATED AND SHOULD NOT BE USED WITHOUT WRITTEN PERMISSION						

20 19 18 17 16 15 14 13 12 11 10 9 8 7 6 5 4 3 2 1

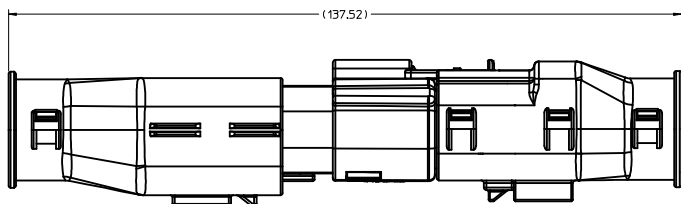
BACKSHELL



Partial W-W
SCALE 3:1

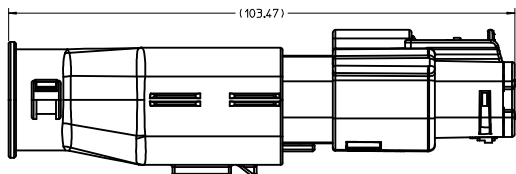
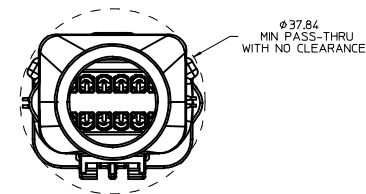
ENTER DESCRIPTION IEC NO. UAU2013-1432 DRAWN/PROFIT 2013/03/11 CHECK/DOCK 2013/03/13 APPR:VKOSHY 2013/03/15	QUALITY SYMBOLS ∇=0 ∇=0 ∇=0	GENERAL TOLERANCES (UNLESS SPECIFIED)		DIMENSION STYLE MM ONLY	SCALE 3:1	DESIGN UNITS METRIC	THIRD ANGLE PROJECTION	
		4 PLACES ± mm ± INCH	3 PLACES ± --- ± ---	DRAWN BY DGRIFFI THS	DATE 05-16-03	TITLE MX150 2X6 BLADE SEALED ASSEMBLY MAT SEAL		
		2 PLACES ± 0.10 ± ---	1 PLACE ± 0.3 ± ---	CHECKED BY DGRIFFI THS	DATE 05-16-03	molex		
		0 PLACE ± ±	ANGULAR ± 3 °	APPROVED BY DGRIFFI THS	DATE 05-16-03	MATERIAL NO. SEE BOM	DOCUMENT NO. SD-33482-121	SHEET NO. 6 OF 10
DRAFT WHERE APPLICABLE MUST REMAIN WITHIN DIMENSIONS		THIS DRAWING CONTAINS INFORMATION THAT IS PROPRIETARY TO MOLEX INCORPORATED AND SHOULD NOT BE USED WITHOUT WRITTEN PERMISSION						

19 18 17 16 15 14 13 12 11 10 9 8 7 6 5 4 3 2 1

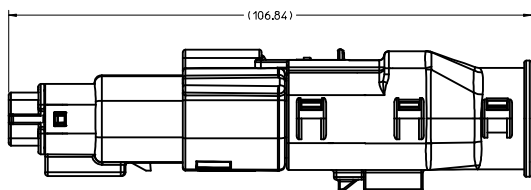
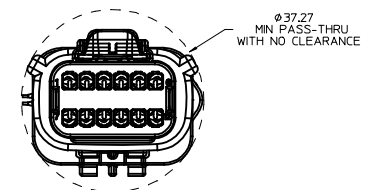


OVERALL MATED SYSTEM WITH BLADE AND RECEPTACLE BACKSHELL

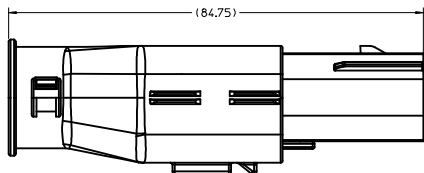
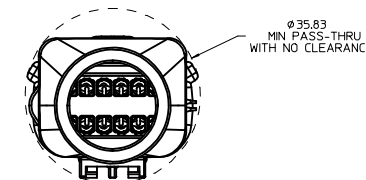
BACKSHELL CONFIGURATIONS



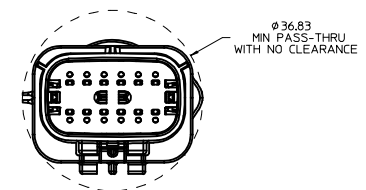
OVERALL MATED SYSTEM WITH BLADE BACKSHELL



OVERALL MATED SYSTEM WITH RECEPTACLE BACKSHELL



BLADE SEALED ASSEMBLY WITH BLADE BACKSHELL



ENTER DESCRIPTION IEC NO. UAU2013-1432 DRAWN BY: CHYKHOLOK CHECKED BY: APPR:VKOSHY DATE: 2013/03/13 DATE: 2013/03/15	QUALITY SYMBOLS ▽=0 ▽=0 ▽=0	GENERAL TOLERANCES (UNLESS SPECIFIED)		DIMENSION STYLE MM ONLY	SCALE 1:1	DESIGN UNITS METRIC	THIRD ANGLE PROJECTION		
		4 PLACES ± --- ± --- 3 PLACES ± --- ± --- 2 PLACES ± 0.10 ± --- 1 PLACE ± 0.3 ± --- 0 PLACE ± ±	mm INCH	DRAWN BY: DGRIFITHS DATE: 05-16-03	CHECKED BY: DGRIFITHS DATE: 05-16-03	APPROVED BY: DGRIFITHS DATE: 05-16-03	TITLE MX150 2X6 BLADE SEALED ASSEMBLY MAT SEAL	DOCUMENT NO. SD-33482-121	SHEET NO. 7 OF 10
		ANGULAR ± 3 °		MATERIAL NO. SEE BOM	THIS DRAWING CONTAINS INFORMATION THAT IS PROPRIETARY TO MOLEX INCORPORATED AND SHOULD NOT BE USED WITHOUT WRITTEN PERMISSION				
		DRAFT WHERE APPLICABLE MUST REMAIN WITHIN DIMENSIONS							

ASSEMBLY DESCRIPTION	ASSEMBLY PART NUMBER	A	B	C	D	1	2	3	4	5	6	7	8	9	10	11	12	STATUS	COMMENTS	34950-1210 BKS WITH RIBS	34950-1220 BKS WITHOUT RIBS
KEY A, BLACK	33482-1240	A					2	3					8	9	10	11			OK TO TOOL	OK TO TOOL	
KEY A, BLACK	33482-1239	A				1				5	6	7	8						OK TO TOOL	OK TO TOOL	
KEY B, LIGHT GRAY	33482-1238	B					2							9	10				OK TO TOOL	OK TO TOOL	
KEY A, BLACK	33482-1237	A					2												OK TO TOOL	OK TO TOOL	
KEY B, LIGHT GRAY	33482-1236	B				1				5	6	7	8	9	10				OK TO TOOL	OK TO TOOL	
KEY A, BLACK	33482-1235	A					2	3				6	7	8		10	11		OK TO TOOL	OK TO TOOL	
KEY A, BLACK	33482-1234	A										6	7						OK TO TOOL	OK TO TOOL	
KEY A, BLACK	33482-1233	A					2	3		5	6	7	8				11		OK TO TOOL	OK TO TOOL	
KEY A, BLACK	33482-1232	A					2	3					8				11		OK TO TOOL	OK TO TOOL	
VOID KEY	33482-1231																				
KEY D, GREEN	33482-1230			D		1	2	3	4	5	6	7	8	9	10	11	12	NOT RECOMMENDED	SEE P/N 33482-1264	OK TO TOOL	OK TO TOOL
KEY C, BROWN	33482-1229			C		1	2	3	4	5	6	7	8	9	10	11	12	NOT RECOMMENDED	SEE P/N 33482-1263	OK TO TOOL	OK TO TOOL
KEY B, LIGHT GRAY	33482-1228	B				1	2	3	4	5	6	7	8	9	10	11	12			OK TO TOOL	OK TO TOOL
KEY A, BLACK	33482-1227	A				1	2	3	4	5	6	7	8	9	10	11	12			OK TO TOOL	OK TO TOOL
KEY A, BLACK	33482-1226	A									6						12			OK TO TOOL	OK TO TOOL
VOID KEY	33482-1225																				
KEY D, GREEN	33482-1224			D		1						6	7				12	NOT RECOMMENDED		OK TO TOOL	OK TO TOOL
KEY C, BROWN	33482-1223			C		1						6	7				12	NOT RECOMMENDED		OK TO TOOL	OK TO TOOL
KEY B, LIGHT GRAY	33482-1222	B				1						6	7				12			OK TO TOOL	OK TO TOOL
KEY A, BLACK	33482-1221	A				1						6	7				12			OK TO TOOL	OK TO TOOL
VOID KEY	33482-1220																				
KEY D, GREEN	33482-1219			D		1						6	7					NOT RECOMMENDED		OK TO TOOL	OK TO TOOL
KEY C, BROWN	33482-1218			C		1						6	7					NOT RECOMMENDED		OK TO TOOL	OK TO TOOL
KEY B, LIGHT GRAY	33482-1217	B				1						6	7							OK TO TOOL	OK TO TOOL
KEY A, BLACK	33482-1216	A				1						6	7							OK TO TOOL	OK TO TOOL
VOID KEY	33482-1215																				
KEY D, GREEN	33482-1214			D								6	7					NOT RECOMMENDED		OK TO TOOL	OK TO TOOL
KEY C, BROWN	33482-1213			C								6	7					NOT RECOMMENDED		OK TO TOOL	OK TO TOOL
KEY B, LIGHT GRAY	33482-1212	B										6	7							OK TO TOOL	OK TO TOOL
KEY A, BLACK	33482-1211	A										6	7							OK TO TOOL	OK TO TOOL
VOID KEY	33482-1210																				
KEY D, GREEN	33482-1209			D								6						NOT RECOMMENDED		OK TO TOOL	OK TO TOOL
KEY C, BROWN	33482-1208			C								6						NOT RECOMMENDED		OK TO TOOL	OK TO TOOL
KEY B, LIGHT GRAY	33482-1207	B										6								OK TO TOOL	OK TO TOOL
KEY A, BLACK	33482-1206	A										6								OK TO TOOL	OK TO TOOL
VOID KEY	33482-1205																				
KEY D, GREEN	33482-1204			D														NOT RECOMMENDED	SEE P/N 33482-1262	OK TO TOOL	OK TO TOOL
KEY C, BROWN	33482-1203			C														NOT RECOMMENDED	SEE P/N 33482-1261	OK TO TOOL	OK TO TOOL
KEY B, LIGHT GRAY	33482-1202	B																		OK TO TOOL	OK TO TOOL
KEY A, BLACK	33482-1201	A																		OK TO TOOL	OK TO TOOL

1 2 3 4 5 6 7 8 9 10 11 12
 BLOCKED TERMINAL
 CAVITY WITH A NUMBER INDICATES BLOCKED TERMINAL POSITION
 CAVITY WITHOUT A NUMBER INDICATES OPEN TERMINAL POSITION
 STATUS COMMENTS 34950-1210 BKS WITH RIBS 34950-1220 BKS WITHOUT RIBS
 OPTIONAL ATTACHMENTS SOLD SEPARATELY

STANDARD PLR	NATURAL	SPS/NYLON GF20
MAT SEAL	BURNT ORANGE	INHERENTLY LUBRICATED SILICONE
GROMMET CAP	BLACK	SPS/NYLON GF20
HOUSING KEYING OPTION D	STONE GRAY	SPS/NYLON GF20
HOUSING KEYING OPTION C	DARK GRAY	SPS/NYLON GF20
HOUSING KEYING OPTION D	GREEN	SPS/NYLON GF20
HOUSING KEYING OPTION C	BROWN	SPS/NYLON GF20
HOUSING KEYING OPTION B	LIGHT GRAY	SPS/NYLON GF20
HOUSING KEYING OPTION A	BLACK	SPS/NYLON GF20
DESCRIPTION	COLOR	MATERIAL

BOM/APPLICABLE COMPONENTS TABLE

ABREVIATION	COMPONENT
A	HOUSING KEY A
B	HOUSING KEY B
C	HOUSING KEY C
D	HOUSING KEY D
GC	GROMMET CAP
M	MAT SEAL
P	PLR, STANDARD
BKS	BACKSHELL

ENTER DESCRIPTION IEC NO. UAU2013-1432 DRAWN BY APPROFIT 2013/03/11 CHECKED BY CHYKHOLOK 2013/03/13 APPR. VIOSHY 2013/03/15 REV DESCRIPTION	QUALITY SYMBOLS	GENERAL TOLERANCES (UNLESS SPECIFIED)	DIMENSION STYLE	SCALE	DESIGN UNITS	THIRD ANGLE PROJECTION
	▽=0	4 PLACES ± 0.10	MM ONLY	DRAWN BY DATE	METRIC	MX150 2X6 BLADE SEALED ASSEMBLY MAT SEAL molex DOCUMENT NO. SD-33482-121
	▽=0	3 PLACES ± 0.10		CHECKED BY DATE		
	▽=0	2 PLACES ± 0.10	ANGULAR ± 3°		APPROVED BY DATE	
	1 PLACE ± 0.3	DRAFT WHERE APPLICABLE MUST REMAIN WITHIN DIMENSIONS		DGRIF ITHS 05-16-03		THIS DRAWING CONTAINS INFORMATION THAT IS PROPRIETARY TO MOLEX INCORPORATED AND SHOULD NOT BE USED WITHOUT WRITTEN PERMISSION

ASSEMBLY DESCRIPTION	ASSEMBLY PART NUMBER	A	B	C	D	1	2	3	4	5	6	7	8	9	10	11	12	STATUS	COMMENTS	34950-1210 BKS WITH RIBS	34950-1220 BKS WITHOUT RIBS		
KEY A, BLACK	33482-1280	A				1	2	3	4	5	6			9					OK TO TOOL	OK TO TOOL			
KEY A, BLACK	33482-1279	A				1	2	3	4	5	6	7	8	9	10	11			OK TO TOOL	OK TO TOOL			
KEY A, BLACK	33482-1278	A									6						12		OK TO TOOL	OK TO TOOL			
KEY A, BLACK	33482-1277	A				1	2	3								11	12		OK TO TOOL	OK TO TOOL			
KEY A, BLACK	33482-1276	A				1	2	3	4		6		8		10	11	12		OK TO TOOL	OK TO TOOL			
KEY A, BLACK	33482-1275	A							4					8		10			OK TO TOOL	OK TO TOOL			
KEY A, BLACK	33482-1274	A				1			3	4	5	6		8		10	11	12	OK TO TOOL	OK TO TOOL			
KEY A, BLACK	33482-1273	A												8					OK TO TOOL	OK TO TOOL			
KEY A, BLACK	33482-1272	A					2					7	8	9	10				OK TO TOOL	OK TO TOOL			
KEY A, BLACK	33482-1271	A					2					7	8	9					OK TO TOOL	OK TO TOOL			
KEY A, BLACK	33482-1270	A					2		4			7	8	9	10				OK TO TOOL	OK TO TOOL			
KEY A, BLACK	33482-1269	A				1	2	3	4	5				8	9	10	11	12	OK TO TOOL	OK TO TOOL			
KEY A, BLACK	33482-1268	A						3	4	5	6	7	8	9	10	11			OK TO TOOL	OK TO TOOL			
KEY A, BLACK	33482-1267	A						3	4	5	6	7							OK TO TOOL	OK TO TOOL			
KEY A, BLACK	33482-1266	A				1	2	3	4	5	6	7					12		OK TO TOOL	OK TO TOOL			
KEY A, BLACK	33482-1265	A									6	7	8	9	10	11			OK TO TOOL	OK TO TOOL			
KEY D, STONE GRAY	33482-1264				D	1	2	3	4	5	6	7	8	9	10	11	12		OK TO TOOL	OK TO TOOL			
KEY C, DARK GRAY	33482-1263				C	1	2	3	4	5	6	7	8	9	10	11	12		TOOLED BUT NOT VALIDATED	OK TO TOOL	OK TO TOOL		
KEY D, STONE GRAY	33482-1262				D														OK TO TOOL	OK TO TOOL			
KEY C, DARK GRAY	33482-1261				C														TOOLED BUT NOT VALIDATED	OK TO TOOL	OK TO TOOL		
KEY A, BLACK	33482-1260	A														11	12		OK TO TOOL	OK TO TOOL			
KEY A, BLACK	33482-1259	A				1	2	3	4	5				9	10	11	12		OK TO TOOL	OK TO TOOL			
KEY A, BLACK	33482-1258	A					2	3								11			OK TO TOOL	OK TO TOOL			
KEY A, BLACK	33482-1257	A				1								9	10	12			OK TO TOOL	OK TO TOOL			
KEY A, BLACK	33482-1256	A									6	7		9					OK TO TOOL	OK TO TOOL			
KEY A, BLACK	33482-1255	A					2	3	4	5	6	7				10	11	12	OK TO TOOL	OK TO TOOL			
KEY A, BLACK	33482-1254	A					2	3	4	5						10	11	12	OK TO TOOL	OK TO TOOL			
KEY A, BLACK	33482-1253	A					2	3	4	5	6	7	8		10	11	12		OK TO TOOL	OK TO TOOL			
KEY A, BLACK	33482-1252	A										7							OK TO TOOL	OK TO TOOL			
KEY A, BLACK	33482-1251	A					2		4	5			8		10	11			OK TO TOOL	OK TO TOOL			
KEY A, BLACK	33482-1250	A							4	5	6	7	8	9					OK TO TOOL	OK TO TOOL			
KEY A, BLACK	33482-1249	A													10	11	12		OK TO TOOL	OK TO TOOL			
KEY A, BLACK	33482-1248	A				1			3	4	5	6	7	8					OK TO TOOL	OK TO TOOL			
KEY A, BLACK	33482-1247	A					2	3	4			7	8						OK TO TOOL	OK TO TOOL			
KEY A, BLACK	33482-1246	A														11			OK TO TOOL	OK TO TOOL			
KEY A, BLACK	33482-1245	A												9	10	11	12		OK TO TOOL	OK TO TOOL			
KEY A, BLACK	33482-1244	A					2		4										OK TO TOOL	OK TO TOOL			
KEY A, BLACK	33482-1243	A					2							9	10				OK TO TOOL	OK TO TOOL			
KEY A, BLACK	33482-1242	A										7	8						OK TO TOOL	OK TO TOOL			
KEY A, BLACK	33482-1241	A										7	8	9	10	11			OK TO TOOL	OK TO TOOL			

BLOCKED TERMINAL		
CAVITY WITH A NUMBER INDICATES BLOCKED TERMINAL POSITION		
CAVITY WITHOUT A NUMBER INDICATES OPEN TERMINAL POSITION		
STANDARD PLR	NATURAL	SPS/NYLON GF20
MAT SEAL	BURNT ORANGE	INHERENTLY LUBRICATED SILICONE
GROMMET CAP	BLACK	SPS/NYLON GF20
HOUSING KEYING OPTION D	STONE GRAY	SPS/NYLON GF20
HOUSING KEYING OPTION C	DARK GRAY	SPS/NYLON GF20
HOUSING KEYING OPTION D	GREEN	SPS/NYLON GF20
HOUSING KEYING OPTION C	BROWN	SPS/NYLON GF20
HOUSING KEYING OPTION B	LIGHT GRAY	SPS/NYLON GF20
HOUSING KEYING OPTION A	BLACK	SPS/NYLON GF20
DESCRIPTION	COLOR	MATERIAL

BOM/APPLICABLE COMPONENTS TABLE

ABBREVIATION	COMPONENT
A	HOUSING KEY A
B	HOUSING KEY B
C	HOUSING KEY C
D	HOUSING KEY D
GC	GROMMET CAP
M	MAT SEAL
P	PLR, STANDARD
BKS	BACKSHELL

ENTER DESCRIPTION IEC NO. UAU2013-1432 DRAWN BY: 2013/03/11 CHECKED BY: 2013/03/13 APPR: VIOSHY 2013/03/15 REV:	QUALITY SYMBOLS ∇=0 ∇=0 ∇=0	GENERAL TOLERANCES (UNLESS SPECIFIED) mm INCH 4 PLACES ±0.10 ±0.004 3 PLACES ±0.15 ±0.005 2 PLACES ±0.20 ±0.008 1 PLACE ±0.30 ±0.012 0 PLACE ±0.50 ±0.020	DIMENSION STYLE MM ONLY	SCALE DESIGN UNITS METRIC	THIRD ANGLE PROJECTION
	DRAFT WHERE APPLICABLE MUST REMAIN WITHIN DIMENSIONS		DRAWN BY DATE DGR1FF1THS 05-16-03	CHECKED BY DATE DGR1FF1THS 05-16-03	APPROVED BY DATE DGR1FF1THS 05-16-03
	MATERIAL NO. SEE BOM		DOCUMENT NO. SD-33482-121		SHEET NO. 9 OF 10
	THIS DRAWING CONTAINS INFORMATION THAT IS PROPRIETARY TO MOLEX INCORPORATED AND SHOULD NOT BE USED WITHOUT WRITTEN PERMISSION				

Данный компонент на территории Российской Федерации

Вы можете приобрести в компании MosChip.

Для оперативного оформления запроса Вам необходимо перейти по данной ссылке:

<http://moschip.ru/get-element>

Вы можете разместить у нас заказ для любого Вашего проекта, будь то серийное производство или разработка единичного прибора.

В нашем ассортименте представлены ведущие мировые производители активных и пассивных электронных компонентов.

Нашей специализацией является поставка электронной компонентной базы двойного назначения, продукции таких производителей как XILINX, Intel (ex.ALTERA), Vicor, Microchip, Texas Instruments, Analog Devices, Mini-Circuits, Amphenol, Glenair.

Сотрудничество с глобальными дистрибьюторами электронных компонентов, предоставляет возможность заказывать и получать с международных складов практически любой перечень компонентов в оптимальные для Вас сроки.

На всех этапах разработки и производства наши партнеры могут получить квалифицированную поддержку опытных инженеров.

Система менеджмента качества компании отвечает требованиям в соответствии с ГОСТ Р ИСО 9001, ГОСТ РВ 0015-002 и ЭС РД 009

Офис по работе с юридическими лицами:

105318, г.Москва, ул.Щербаковская д.3, офис 1107, 1118, ДЦ «Щербаковский»

Телефон: +7 495 668-12-70 (многоканальный)

Факс: +7 495 668-12-70 (доб.304)

E-mail: info@moschip.ru

Skype отдела продаж:

moschip.ru

moschip.ru_4

moschip.ru_6

moschip.ru_9