

### Features

- 3535 High Power LED
- ROHS and REACH Compliant
- MSL2 qualified according to J-STD 020
- ESD 2KV

### Applications

- Portable lighting
- Indoor/ Outdoor lighting
- Commercial lighting
- Industrial lighting

### Description

The IN-C33(X)TL(X) is a high-power LED. It is a SMD type LED which can be used in various applications.



| Outline      |              |              |
|--------------|--------------|--------------|
| 60D          | 120D         | 90D          |
| 3.5x3.5x2.8  | 3.5x3.5x2.0  | 3.5x3.5x2.34 |
| IN-C33BTL(X) | IN-C33CTL(X) | IN-C33ETL(X) |

### Recommended Solder Pattern

(Suggest Stencil t=0.12 mm)



### Package Dimensions

(All dimensions are in mm, tolerance is  $\pm 0.13\text{mm}$ )

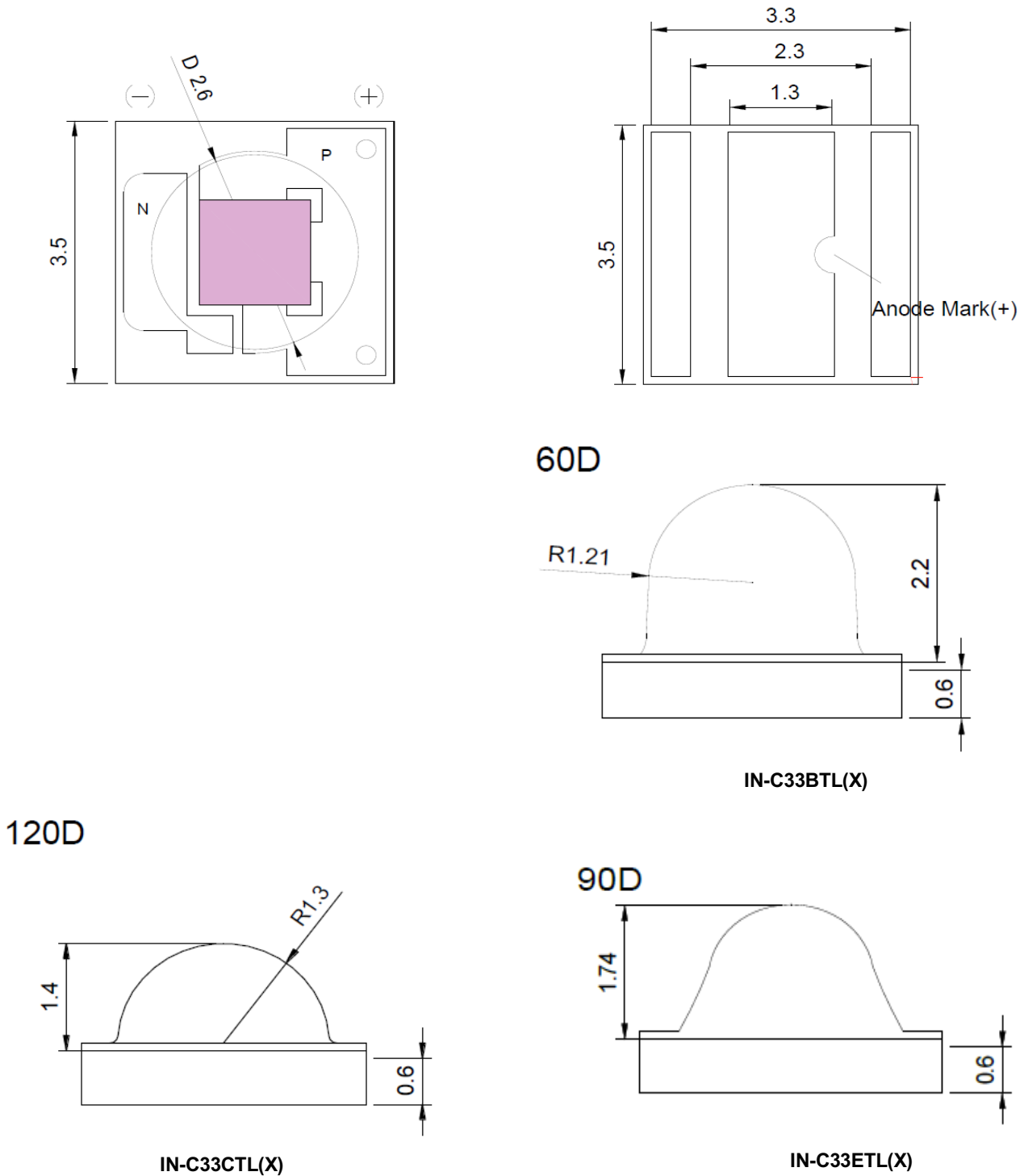


Figure 2. IN-C33(X)TL(X) Series Package Dimension

**Absolute Maximum Rating( Ta=25°C)**

| Characteristics                            | Symbol            | Min. | Typical | Max. | Unit |
|--|-------------------|------|---------|------|------|
| DC Forward Current <sup>1</sup>            | I <sub>F</sub>    |      | 350     | 700  | mA   |
| Pulse Forward Current <sup>2</sup>         | I <sub>PF</sub>   |      |         | 1000 | mA   |
| Forward Voltage - Blue/Green/ Royal Blue   | V <sub>F</sub>    | 2.8  |         | 3.8  | V    |
| Forward Voltage - Red/ Yellow/ Deep Red    | V <sub>F</sub>    | 1.4  |         | 2.8  | V    |
| Reverse Voltage                            | V <sub>R</sub>    |      | -5      |      | V    |
| Leakage Current (5V)                       | I <sub>R</sub>    |      |         | 10   | μA   |
| Junction Temperature <sup>3</sup>          | T <sub>j</sub>    |      | 115     |      | °C   |
| Storage Temperature Range                  | T <sub>stg</sub>  | -40  | -       | 100  | °C   |
| Soldering Temperature                      | T <sub>sol</sub>  |      | 260     |      | °C   |
| Thermal Resistance Junction / Solder Point | R <sub>th</sub>   | 6    | 8       | 12   | °C/W |
| Viewing Angle                              | 2θ <sub>1/2</sub> |      | 125     |      | Deg  |

**Notes**

1. For other ambient, limited setting of current will depend on de-rating curves.
2. D=0.01s duty 1/10.
3. When drive on maximum current , T<sub>j</sub> must be kept below 115°C
4. Viewing angle(2θ<sub>1/2</sub>) ±10°

**ESD Precaution**

ATTENTION: Electrostatic Discharge (ESD) protection

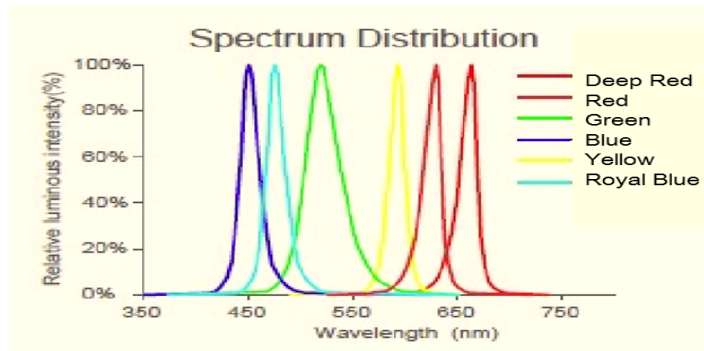


The symbol above denotes that ESD precaution is needed. ESD protection for GaP and AlGaAs based chips is necessary even though they are relatively safe in the presence of low static-electric discharge. Parts built with AlInGaP, GaN, or/and InGaN based chips are STATIC SENSITIVE devices. ESD precaution must be taken during design and assembly. If manual work or processing is needed, please ensure the device is adequately protected from ESD during the process.

Please be advised that normal static precautions should be taken in the handling and assembly of this device to prevent damage or degradation which may be induced by electrostatic discharge (ESD).

**Electronic-Optical Characteristics**

**Spectrum Distribution**



**Forward Current VS. Forward Voltage ( $T_a=25^\circ\text{C}$ )**  
 (Blue/ Green / Royal Blue)



**Relative luminous Flux vs. Forward Current ( $T_a=25^\circ\text{C}$ )**  
 (Blue/ Green / Royal Blue)



**Forward Current VS. Forward Voltage ( $T_a=25^\circ\text{C}$ )**  
 (Red/ Yellow / Deep Red)



**Relative luminous Flux vs. Forward Current ( $T_a=25^\circ\text{C}$ )**  
 (Red/ Yellow / Deep Red)



**Typical Spatial Distribution**



## Product List

| Part Number   | Color      | Luminous Flux (lm@350mA) |     | Wavelength (nm) | Forward Voltage (V) |     |
|---------------|------------|--------------------------|-----|-----------------|---------------------|-----|
|               |            | Min                      | Max |                 | Min                 | Max |
| IN-C33(X)TLB  | Blue       | 25                       | 35  | 460-470         | 2.8                 | 3.6 |
| IN-C33(X)TLG  | Green      | 90                       | 110 | 515-535         | 3.0                 | 3.6 |
| IN-C33(X)TLR  | Red        | 40                       | 60  | 620-630         | 1.8                 | 2.6 |
| IN-C33(X)TLY  | Yellow     | 50                       | 70  | 585-595         | 1.8                 | 2.6 |
| IN-C33(X)TLDR | Deep Red   | 15                       | 30  | 650-670         | 1.4                 | 2.6 |
| IN-C33(X)TLRB | Royal Blue | 15                       | 30  | 450-460         | 2.8                 | 3.6 |

## Bin Code information

### ■ Forward Voltage Binning

| Bin Code (@350mA) | Min. VF(V) | Max. VF(V) |
|-------------------|------------|------------|
| V14               | 1.4        | 1.6        |
| V16               | 1.6        | 1.8        |
| V18               | 1.8        | 2.0        |
| V20               | 2.0        | 2.2        |
| V22               | 2.2        | 2.4        |
| V24               | 2.4        | 2.6        |
| V26               | 2.6        | 2.8        |
| V28               | 2.8        | 3.0        |
| V30               | 3.0        | 3.2        |
| V32               | 3.2        | 3.4        |
| V34               | 3.4        | 3.6        |
| V36               | 3.6        | 3.8        |

**Flux Binning**

| Color      | Luminous Flux (lm@350mA) |     |     |
|------------|--------------------------|-----|-----|
|            | Group                    | Min | Max |
| Blue       | B15                      | 15  | 20  |
|            | B20                      | 20  | 25  |
|            | B25                      | 25  | 30  |
| Green      | G80                      | 80  | 90  |
|            | G90                      | 90  | 100 |
|            | GH1                      | 100 | 110 |
| Red        | R40                      | 40  | 45  |
|            | R45                      | 45  | 50  |
|            | R50                      | 50  | 55  |
|            | R55                      | 55  | 60  |
| Yellow     | A50                      | 50  | 55  |
|            | A55                      | 55  | 60  |
|            | A60                      | 60  | 65  |
|            | A65                      | 65  | 70  |
| Deep Red   | R15                      | 15  | 20  |
|            | R20                      | 20  | 25  |
|            | R25                      | 25  | 30  |
| Royal Blue | B15                      | 15  | 20  |
|            | B20                      | 20  | 25  |
|            | B25                      | 25  | 30  |

**Note:**

1. Tolerance of luminous flux ( $\Phi_v$ )  $\pm 5\%$ .

**■Wavelength Binning**

| Color      | Wavelength (Wd nm@350mA) |     |     |
|------------|--------------------------|-----|-----|
|            | Group                    | Min | Max |
| Blue       | B1                       | 460 | 465 |
|            | B2                       | 465 | 470 |
| Green      | G1                       | 515 | 520 |
|            | G2                       | 520 | 525 |
|            | G3                       | 525 | 530 |
|            | G4                       | 530 | 535 |
| Red        | R1                       | 620 | 625 |
|            | R2                       | 625 | 630 |
| Yellow     | A1                       | 585 | 590 |
|            | A2                       | 590 | 595 |
| Deep Red   | DR1                      | 650 | 660 |
|            | DR2                      | 660 | 670 |
| Royal Blue | RB1                      | 450 | 455 |
|            | RB2                      | 455 | 460 |

**Note:**

1. Tolerance of Wavelength  $\pm$ nm.
2. Wavelength of Deep Red is meaning peak wavelength only.

**Ordering Information**

| Orderable Part Number | Color      | Angle | Luminous Flux (lm@350mA) |     | Wavelength (nm) | Forward Voltage (V) |     |
|-----------------------|------------|-------|--------------------------|-----|-----------------|---------------------|-----|
|                       |            |       | Min                      | Max |                 | Min                 | Max |
| IN-C33BTLB            | Blue       | 60    | 25                       | 35  | 460-470         | 2.8                 | 3.6 |
| IN-C33ETLB            |            | 90    | 25                       | 35  | 460-470         | 2.8                 | 3.6 |
| IN-C33CTLB            |            | 120   | 25                       | 35  | 460-470         | 2.8                 | 3.6 |
| IN-C33BTLG            | Green      | 60    | 90                       | 110 | 515-535         | 3.0                 | 3.6 |
| IN-C33ETLG            |            | 90    | 90                       | 110 | 515-535         | 3.0                 | 3.6 |
| IN-C33CTLG            |            | 120   | 90                       | 110 | 515-535         | 3.0                 | 3.6 |
| IN-C33BTLR            | Red        | 60    | 40                       | 60  | 620-630         | 1.8                 | 2.6 |
| IN-C33ETLR            |            | 90    | 40                       | 60  | 620-630         | 1.8                 | 2.6 |
| IN-C33CTLR            |            | 120   | 40                       | 60  | 620-630         | 1.8                 | 2.6 |
| IN-C33BTLY            | Yellow     | 60    | 50                       | 70  | 585-595         | 1.8                 | 2.6 |
| IN-C33ETLY            |            | 90    | 50                       | 70  | 585-595         | 1.8                 | 2.6 |
| IN-C33CTLY            |            | 120   | 50                       | 70  | 585-595         | 1.8                 | 2.6 |
| IN-C33BTLDR           | Deep Red   | 60    | 15                       | 30  | 650-670         | 1.4                 | 2.6 |
| IN-C33ETLDR           |            | 90    | 15                       | 30  | 650-670         | 1.4                 | 2.6 |
| IN-C33CTLDR           |            | 120   | 15                       | 30  | 650-670         | 1.4                 | 2.6 |
| IN-C33BTLRB           | Royal Blue | 60    | 15                       | 30  | 450-460         | 2.8                 | 3.6 |
| IN-C33ETLRB           |            | 90    | 15                       | 30  | 450-460         | 2.8                 | 3.6 |
| IN-C33CTLRB           |            | 120   | 15                       | 30  | 450-460         | 2.8                 | 3.6 |



**Label Specifications**



**Inolux P/N:**

| I      | N   | - | C                | 3   | 3         | (X)           | T         | L               |  | (X) | - | X                    | X | X | X |
|--------|-----|---|------------------|---|-----------|---------------|-----------|-----------------|--|-----|---|----------------------|---|---|---|
|        |     |   | Material         | Package   | Variation | Orientation   | Current   | Lens            | Color  |     |   | Customized Stamp-off |   |   |   |
| Inolux | SMD |   | C = Ceramic Type | 33B = 3.5 x 3.5, 60 Deg.<br>33C = 3.5 x 3.5, 120 Deg.<br>33E = 3.5 x 3.5, 90 Deg. |           | T = Top Mount | L = 350mA | (Blank) = Clear | B = 470nm<br>G = 520nm<br>R = 630nm<br>Y = 590nm<br>DR = 660nm<br>RB = 450nm |     |   |                      |   |   |   |

**Lot No.:**

|                  |                          |   |   |   |       |      |        |
|------------------|--------------------------|---|---|---|-------|------|--------|
| Z                | 2                        | 0 | 1 | 7 | 01    | 24   | 001    |
| Internal Tracker | Year (2017, 2018, .....) |   |   |   | Month | Date | Serial |

## Reflow Soldering



## Soldering Iron

Basic Spec is  $\leq 4$  sec. when 260°C (+10°C → -1 second). Power dissipation of Iron should be less than 15W. Surface temperature should be under 230°C

## Rework

Rework should be completed within 4 second under 245°C

## Notes

1. Do not stress the silicone resin while it is exposed to high temperature.
2. The number of reflow process should not exceed 3 times.

## Packing



**Unpackaged Reel**

Label

**Packaged Reel**

Label

Label

**Notes:**

1. Each Reel (minimum number of pieces is 100 and maximum is 500 (60D)/1000 (120D) is packed in a moisture-proof bag along with 2 packs of desiccant and a humidity indicator card;
2. A maximum of 5 moisture-proof bags are packed in an inner box (size: 240mm x 200mm x 105mm  $\pm$ 5mm)
3. A maximum of 4 inner boxes are put in an outer box (size: 410mm x 255mm x 230mm  $\pm$ 5mm)
4. Part No., Lot No., quantity should be indicated on the label of the moisture-proof bag and the cardboard box.

## Precautions

### 1. Recommendation for using LEDs

1.1 The lens of LEDs should not be exposed to dust or debris. Excessive dust and debris may cause a drastic decrease in the luminosity.

1.2 Avoid mechanical stress on LED lens.

1.3 Do not touch the LED lens surface. It would affect the optical performance of the LED due to the LED lens' damage.

1.4 Pick & place tools are recommended for the remove of LEDs from the factory tape & reel packaging

### 2. Pick & place nozzle

The pickup tool was recommended and shown as below



### 3. Lens handling

Please follow the guideline to pick LEDs

3.1 Use tweezers to pick LEDs

3.2 Do not touch the lens by using tweezers

3.3 Do not touch lens with fingers

3.4 Do not apply more than 4N of lens (400g) directly onto the lens

### 4. Lens cleaning

In the case which a small amount of dirt and dust particles remain on the lens surface, a suitable cleaning solution can be applied.

4.1 Try a gentle wiping with dust-free cloth

4.2 If needed, use dust-free cloth and isopropyl alcohol to gently clean the dirt from the lens surface.

4.3 Do not use other solvents as they may directly react with the LED assembly

4.4 Do not use ultrasonic cleaning which will damage the LEDs

## Test Items and Results of Reliability

| Test Item                    | Test Conditions                      | Duration/<br>Cycle | Number of<br>Damage | Reference                   |
|------------------------------|--------------------------------------|--------------------|---------------------|-----------------------------|
| Thermal Shock                | -40°C 30min<br>↑↓5min<br>125°C 30min | 100 cycles         | 0/22                | AECQ101                     |
| High Temperature Storage     | Ta=100°C                             | 1000 hrs           | 0/22                | EIAJ ED-4701<br>200 201     |
| Humidity Heat Storage        | Ta=85°C<br>RH=85%                    | 1000 hrs           | 0/22                | EIAJ ED-4701<br>100 103     |
| Low Temperature Storage      | Ta=-40°C                             | 1000 hrs           | 0/22                | EIAJ ED-4701<br>200 202     |
| Life Test                    | Ta=25°C<br>If=350mA                  | 1000 hrs           | 0/22                | Tested with UVT<br>standard |
| High Humidity Heat Life Test | 85°C RH=85%<br>If=350mA              | 1000 hrs           | 0/22                | Tested with UVT<br>standard |
| High Temperature Life Test   | Ta=85°C                              | 1000 hrs           | 0/22                | Tested with UVT<br>standard |
| ESD(HBM)                     | 2KV at 1.5kΩ;100pf                   | 3 Times            | 0/22                | MIL-STD-883                 |

| Criteria for Judging the Damage |                |           |                       |                       |
|---------------------------------|----------------|-----------|-----------------------|-----------------------|
| Item                            | Symbol         | Condition | Criteria for Judgment |                       |
|                                 |                |           | Min                   | Max                   |
| Forward Voltage                 | V <sub>F</sub> | If=350mA  | -                     | USL <sup>1</sup> ×1.1 |
| Reverse Current                 | I <sub>R</sub> | VR =5V    | -                     | 100μA                 |
| Luminous Intensity              | I <sub>v</sub> | If=350mA  | LSL <sup>2</sup> ×0.7 | -                     |

### Notes:

1. USL: Upper specification level
2. LSL: Lower specification level

## Revision History

| Changes since last revision | Page | Version No. | Revision Date |
|-----------------------------|------|-------------|---------------|
| Initial Release             |      | 1.0         | 04-17-2018    |
| Update format               |      | 1.1         | 06-28-2018    |
|                             |      |             |               |
|                             |      |             |               |
|                             |      |             |               |
|                             |      |             |               |
|                             |      |             |               |
|                             |      |             |               |
|                             |      |             |               |

## DISCLAIMER

INOLUX reserves the right to make changes without further notice to any products herein to improve reliability, function or design. INOLUX does not assume any liability arising out of the application or use of any product or circuit described herein; neither does it convey any license under its patent rights, nor the rights of others.

## LIFE SUPPORT POLICY

INOLUX's products are not authorized for use as critical components in life support devices or systems without the express written approval of the President of INOLUX or INOLUX CORPORATION. As used herein:

1. Life support devices or systems are devices or systems which, (a) are intended for surgical implant into the body, or (b) support or sustain life, and (c) whose failure to perform when properly used in accordance with instructions for use provided in the labeling, can be reasonably expected to result in a significant injury of the user.
2. A critical component in any component of a life support device or system whose failure to perform can be reasonably expected to cause the failure of the life support device or system, or to affect its safety or effectiveness.

## Данный компонент на территории Российской Федерации

### Вы можете приобрести в компании MosChip.

Для оперативного оформления запроса Вам необходимо перейти по данной ссылке:

<http://moschip.ru/get-element>

Вы можете разместить у нас заказ для любого Вашего проекта, будь то серийное производство или разработка единичного прибора.

В нашем ассортименте представлены ведущие мировые производители активных и пассивных электронных компонентов.

Нашей специализацией является поставка электронной компонентной базы двойного назначения, продукции таких производителей как XILINX, Intel (ex.ALTERA), Vicor, Microchip, Texas Instruments, Analog Devices, Mini-Circuits, Amphenol, Glenair.

Сотрудничество с глобальными дистрибьюторами электронных компонентов, предоставляет возможность заказывать и получать с международных складов практически любой перечень компонентов в оптимальные для Вас сроки.

На всех этапах разработки и производства наши партнеры могут получить квалифицированную поддержку опытных инженеров.

Система менеджмента качества компании отвечает требованиям в соответствии с ГОСТ Р ИСО 9001, ГОСТ РВ 0015-002 и ЭС РД 009

### Офис по работе с юридическими лицами:

105318, г.Москва, ул.Щербаковская д.3, офис 1107, 1118, ДЦ «Щербаковский»

Телефон: +7 495 668-12-70 (многоканальный)

Факс: +7 495 668-12-70 (доб.304)

E-mail: [info@moschip.ru](mailto:info@moschip.ru)

Skype отдела продаж:

moschip.ru

moschip.ru\_4

moschip.ru\_6

moschip.ru\_9