

# Hi-Reliability GaAlAs Infrared Emitting Diode

OP223, OP224 (TX, TXV), OP224 (S)



## Features:

- Processed to OPTEK's military screening program, patterned after MIL-PRF-19500
- Miniature hermetically sealed "pill" package
- Twice the power output of GaAs at same drive current
- "S" level screening available
- Mechanically and spectrally matched to OP600 phototransistors



## Description:

Each **OP223 (TX)** and **OP224 (S, TX, TXV)** device is an 890 nm high reliability gallium aluminum arsenide infrared emitting diode that is mounted in a miniature hermetically sealed "pill" type package which can be directly mounted to PCBs. The gallium aluminum arsenide feature provides twice the radiated output of gallium arsenide at the same forward current.

After electrical testing by manufacturing, devices are processed to OPTEK's 100 percent screening program, which is patterned after MIL-PRF-19500. With a wavelength centered at 890 nm, the *OP223 (TXV) and OP224 (S, TX, TXV)*.

*TX and TXV devices are processed to OPTEK's military screening program patterned after MIL-PRF-19500. S devices are processed to OPTEK's military screening program patterned after MIL-STD-883.*

*Please refer to Application Bulletins 208 and 210 for additional design information and reliability (degradation) data.*

Contact your local representative or OPTEK for more information.

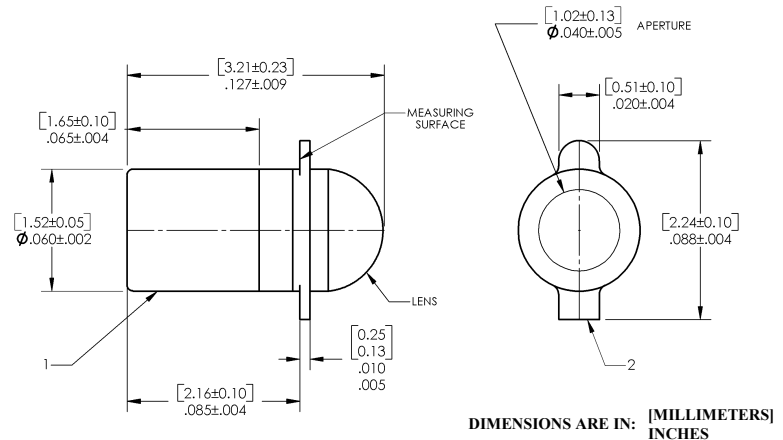
## Applications:

- Non-contact reflective object sensor
- Assembly line automation
- Machine automation
- Machine safety
- End of travel sensor
- Door sensor

| Part Number | LED Peak Wavelength | Output Power Minimum    | Total Beam Angle | Lead Length |
|-------------|---------------------|-------------------------|------------------|-------------|
| OP223TX     | 890 nm              | 1.00 mW/cm <sup>2</sup> | 24°              | N/A         |
| OP224S      |                     |                         |                  |             |
| OP224TX     |                     |                         |                  |             |
| OP224TXV    |                     |                         |                  |             |



| Pin # | LED     | Sensor    |
|-------|---------|-----------|
| 1     | Anode   | Collector |
| 2     | Cathode | Emitter   |



### General Note

TT Electronics reserves the right to make changes in product specification without notice or liability. All information is subject to TT Electronics' own data and is considered accurate at time of going to print.

TT Electronics | OPTEK Technology, Inc.  
1645 Wallace Drive, Carrollton, TX 75006 | Ph: +1 972 323 2200  
sensors@ttelelectronics.com | www.ttelelectronics.com

# Hi-Reliability GaAlAs Infrared Emitting Diode

## OP223, OP224 (TX, TXV), OP224 (S)



### Electrical Specifications

#### Absolute Maximum Ratings ( $T_A = 25^\circ\text{C}$ unless otherwise noted)

|  |                   |
|--|-------------------|
| Storage Temperature Range  | -65° C to +150° C |
| Operating Temperature Range  | -55° C to +125° C |
| Lead Soldering Temperature [1/16 inch (1.6 mm) from case for 5 seconds with soldering iron] <sup>(1)</sup> | 260° C            |
| Reverse Voltage  | 2.0 V             |
| Continuous Forward Current   | 100 mA            |
| Power Dissipation <sup>(2)</sup>   | 100 mW            |

Notes:

1. No clean or low solids. RMA flux is recommended. Duration can be extended to 10 seconds maximum when flow soldering.
2. Derate linearly 1.00 mW/° C above 25° C.

#### Electrical Characteristics ( $T_A = 25^\circ\text{C}$ unless otherwise noted)

| SYMBOL | PARAMETER | MIN | TYP | MAX | UNITS | TEST CONDITIONS |
|--------|-----------|-----|-----|-----|-------|-----------------|
|--------|-----------|-----|-----|-----|-------|-----------------|

#### Input Diode

| SYMBOL                     | PARAMETER  | MIN          | TYP    | MAX    | UNITS         | TEST CONDITIONS                              |
|----------------------------|--|--------------|--------|--------|---------------|--|
| $E_E$ (APT)                | Radiant Power Output<br>OP223 (TX)<br>OP224 (S, TX, TXV) | 1.00<br>1.50 | -<br>- | -<br>- | mW            | $I_F = 50\text{ mA}$<br>$I_F = 50\text{ mA}$ |
| $V_F$                      | Forward Voltage  | 0.80         | -      | 1.80   | V             | $I_F = 50\text{ mA}$                         |
| $I_R$                      | Reverse Current  | -            | -      | 100    | $\mu\text{A}$ | $V_R = 2.0\text{ V}$                         |
| $\lambda_P$                | Wavelength at Peak Emission                              | -            | 890    | -      | nm            | $I_F = 50\text{ mA}$                         |
| B                          | Spectral Bandwidth between Half Power Points             | -            | 80     | -      | nm            | $I_F = 50\text{ mA}$                         |
| $\Delta\lambda_P/\Delta T$ | Spectral Shift with Temperature                          | -            | 0.18   | -      | nm/°C         | $I_F = \text{Constant}$                      |
| $\theta_{HP}$              | Emission Angle at Half Power Points                      | -            | 18     | -      | Degree        | $I_F = 50\text{ mA}$                         |

General Note

TT Electronics reserves the right to make changes in product specification without notice or liability. All information is subject to TT Electronics' own data and is considered accurate at time of going to print.

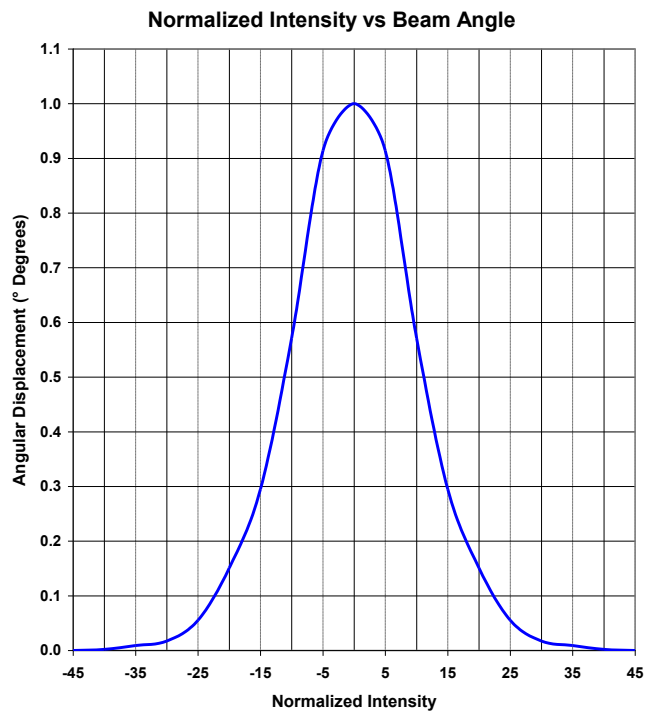
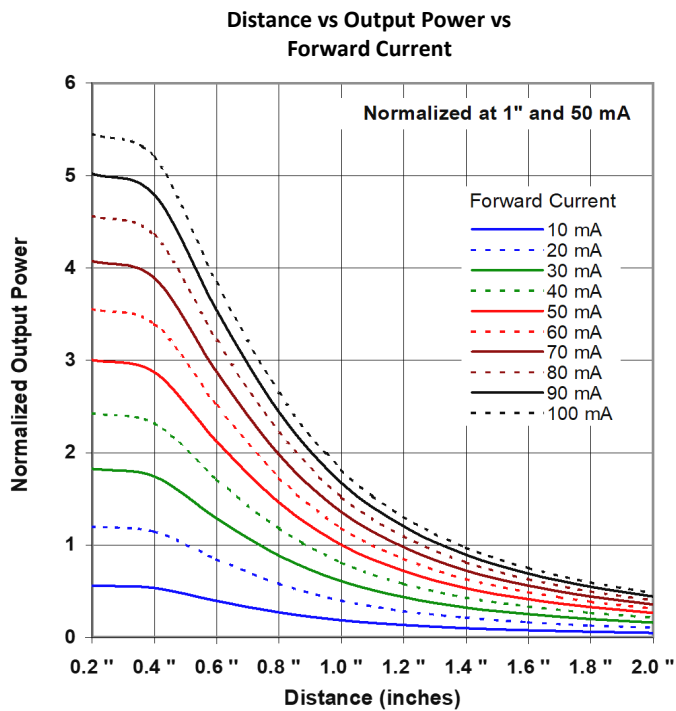
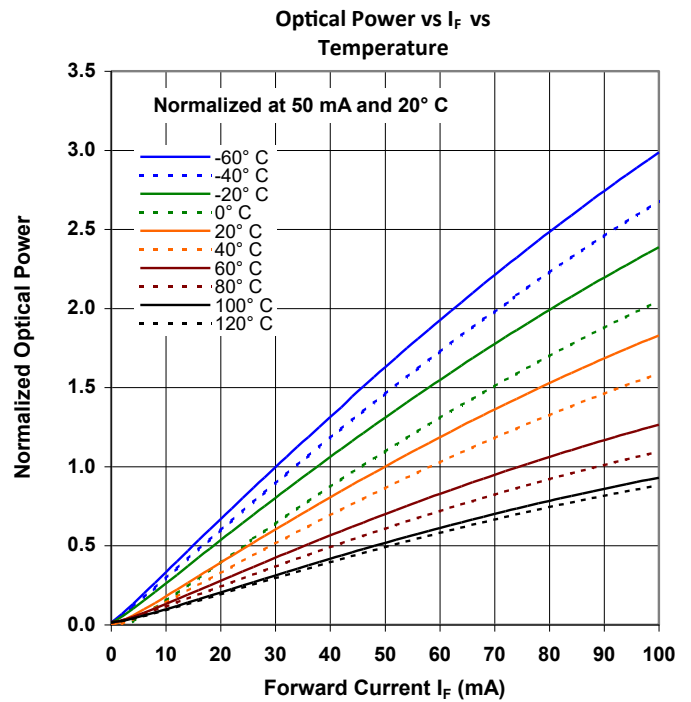
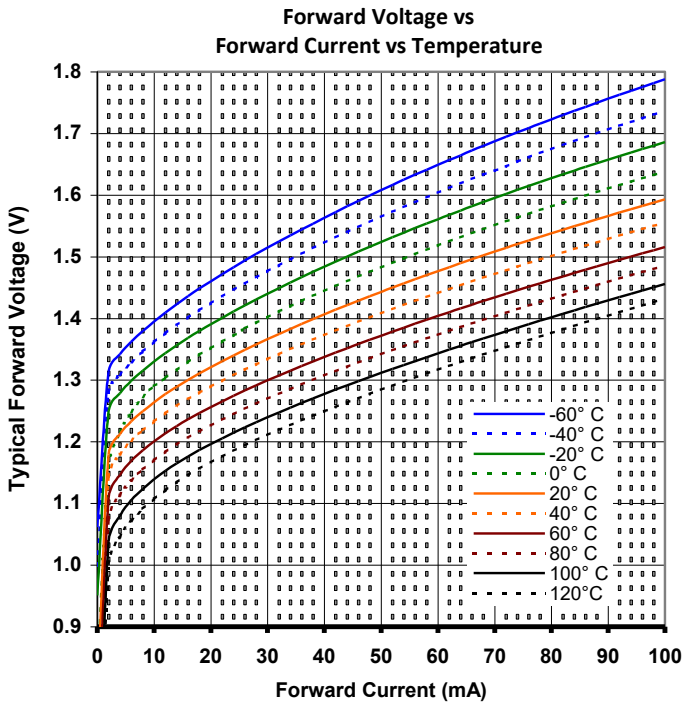
TT Electronics | OPTEK Technology, Inc.  
1645 Wallace Drive, Carrollton, TX 75006 | Ph: +1 972 323 2200  
sensors@ttelelectronics.com | www.ttelelectronics.com

# Hi-Reliability GaAlAs Infrared Emitting Diode

## OP223, OP224 (TX, TXV), OP224 (S)



### OP223 (TX), OP224 (S, TX, TXV)



General Note  
 TT Electronics reserves the right to make changes in product specification without notice or liability. All information is subject to TT Electronics' own data and is considered accurate at time of going to print.

TT Electronics | OPTEK Technology, Inc.  
 1645 Wallace Drive, Carrollton, TX 75006 | Ph: +1 972 323 2200  
 sensors@ttelelectronics.com | www.ttelelectronics.com

## Данный компонент на территории Российской Федерации

### Вы можете приобрести в компании MosChip.

Для оперативного оформления запроса Вам необходимо перейти по данной ссылке:

<http://moschip.ru/get-element>

Вы можете разместить у нас заказ для любого Вашего проекта, будь то серийное производство или разработка единичного прибора.

В нашем ассортименте представлены ведущие мировые производители активных и пассивных электронных компонентов.

Нашей специализацией является поставка электронной компонентной базы двойного назначения, продукции таких производителей как XILINX, Intel (ex.ALTERA), Vicor, Microchip, Texas Instruments, Analog Devices, Mini-Circuits, Amphenol, Glenair.

Сотрудничество с глобальными дистрибьюторами электронных компонентов, предоставляет возможность заказывать и получать с международных складов практически любой перечень компонентов в оптимальные для Вас сроки.

На всех этапах разработки и производства наши партнеры могут получить квалифицированную поддержку опытных инженеров.

Система менеджмента качества компании отвечает требованиям в соответствии с ГОСТ Р ИСО 9001, ГОСТ РВ 0015-002 и ЭС РД 009

### Офис по работе с юридическими лицами:

105318, г.Москва, ул.Щербаковская д.3, офис 1107, 1118, ДЦ «Щербаковский»

Телефон: +7 495 668-12-70 (многоканальный)

Факс: +7 495 668-12-70 (доб.304)

E-mail: [info@moschip.ru](mailto:info@moschip.ru)

Skype отдела продаж:

moschip.ru

moschip.ru\_4

moschip.ru\_6

moschip.ru\_9