



Features

- Intel® Quad or Dual Core™ i7/i5/i3 Processor
- Intel® QM67 Chipset
- Up to 16GB Dual Channel DDR3 SDRAM at 1333MHz
- Three Digital Display Interfaces (DDI) for DisplayPort /HDMI/DVI/SDVO
- Seven PCIe x1, one PCIe x16 (Gen2) for graphics (or general purpose x8/4/1)
- Two SATA 3 Gb/s, two SATA 6 Gb/s, Gigabit Ethernet, eight USB 2.0

Specifications

Core System

CPU	2nd Generation Intel® Core™ i7/i5/i3, 32 nm process, BGA type Intel® Core™ i7-2715QE 2.1 GHz (3.0 GHz Turbo), 6MB L3 cache, 45W (4C) Intel® Core i7-2655LE 2.2 GHz (2.9 GHz Turbo), 4MB L3 cache, 25W (2C) Intel® Core™ i7-2610UE 1.5 GHz (2.4 GHz Turbo), 4MB L3 cache, 17W (2C) Intel® Core™ i5-2515E 2.5 GHz (3.2 GHz Turbo), 3MB L3 cache, 35W (2C) Intel® Core™ i3-2310E 2.1 GHz, 3MB L3 Cache, 35W (2C) Intel® Core™ i3-2340UE 1.3 GHz, 3MB L3 Cache, 17W (2C) Intel® Celeron® B810E 1.6 GHz, 2MB L3 Cache, 35W (2C) Intel® Celeron® 847E 1.1 GHz, 2MB L3 Cache, 17W (2C)
-----	---

Memory	Dual channel non-ECC 1066/1333 MHz DDR3 memory up to 16 GB in dual SODIMM socket
Chipset	Intel® Mobile QM67 Express Chipset
L3 Cache	6MB (i7-2715QE), 4MB(i7-2655LE and i7-2610UE), 3MB (i5-2515E)
BIOS	AMI EFI with CMOS backup in 16 Mbit SPI flash with iAMT
Hardware Monitor	Supply voltages and CPU temperature
Debug Interface	XDP SFF-26 extension for ICE debug
Watchdog Timer	Programmable timer range to generate RESET
Expansion Busses	PCI Express x16 (Gen2) bus for discrete graphics solution or general purpose PCI Express (2 x8 or 1 x8 with 2 x4) 8 PCI Express x1: Lanes 0/1/2/3/4/5/6 are free, lane 7 is occupied by GbE LPC bus, SMBus (system) , I ² C (user)

Video

Integrated in Processor	HD Graphics 3000 at 650–1300 MHz
Integrated Video	DirectX 10.1 and OpenGL 3.0
Feature Support	Intel Clear Video HD Technology Advanced Scheduler 2.0, 1.0, XPDM support DirectX Video Acceleration (DXVA) support for full AVC/VC1/ MPEG2 hardware decode
VGA Interface	Analog VGA support with 300 MHz DAC Analog monitor support up to QXGA (2048 x 1536) and VGA hot plug
LVDS Interface	Dual channel 18/24-bit LVDS
Digital Display Interface	Three DDI ports supporting HDMI / DVT / DisplayPort or SDVO

Audio

Chipset	Integrated on Intel® PCH QM67
Audio Codec	On Express-BASE6 carrier (ALC886)

Ethernet

Chipset	Intel® Gigabit Ethernet PHY WG82579LM
Interface	10/100/1000 Mbps Ethernet

Multi I/O and Storage

Chipset	Integrated on QM67
USB	Supports up to eight ports USB 2.0
SATA	Supports two SATA ports at 6 Gb/s and two ports at 3 Gb/s with support for RAID 0,1,5,10

Super I/O

Connected to LPC bus on carrier if needed

TPM (optional)

Chipset	Infineon SLB9635TT1.2
Type	TPM 1.2

Power

Standard Voltage Input	ATX = 12V±5% / 5Vsb or AT = 12V±5%
Wide Voltage Input	ATX = 8.5~18V / 5Vsb or AT = 8.5 ~18V
Power States	Supports S0, S1, S3, S4, S5
Power Consumption	22 W with Core™ i7-2610UE at 1.5 GHz and 2 GB memory typical
Smart Battery Support	Yes

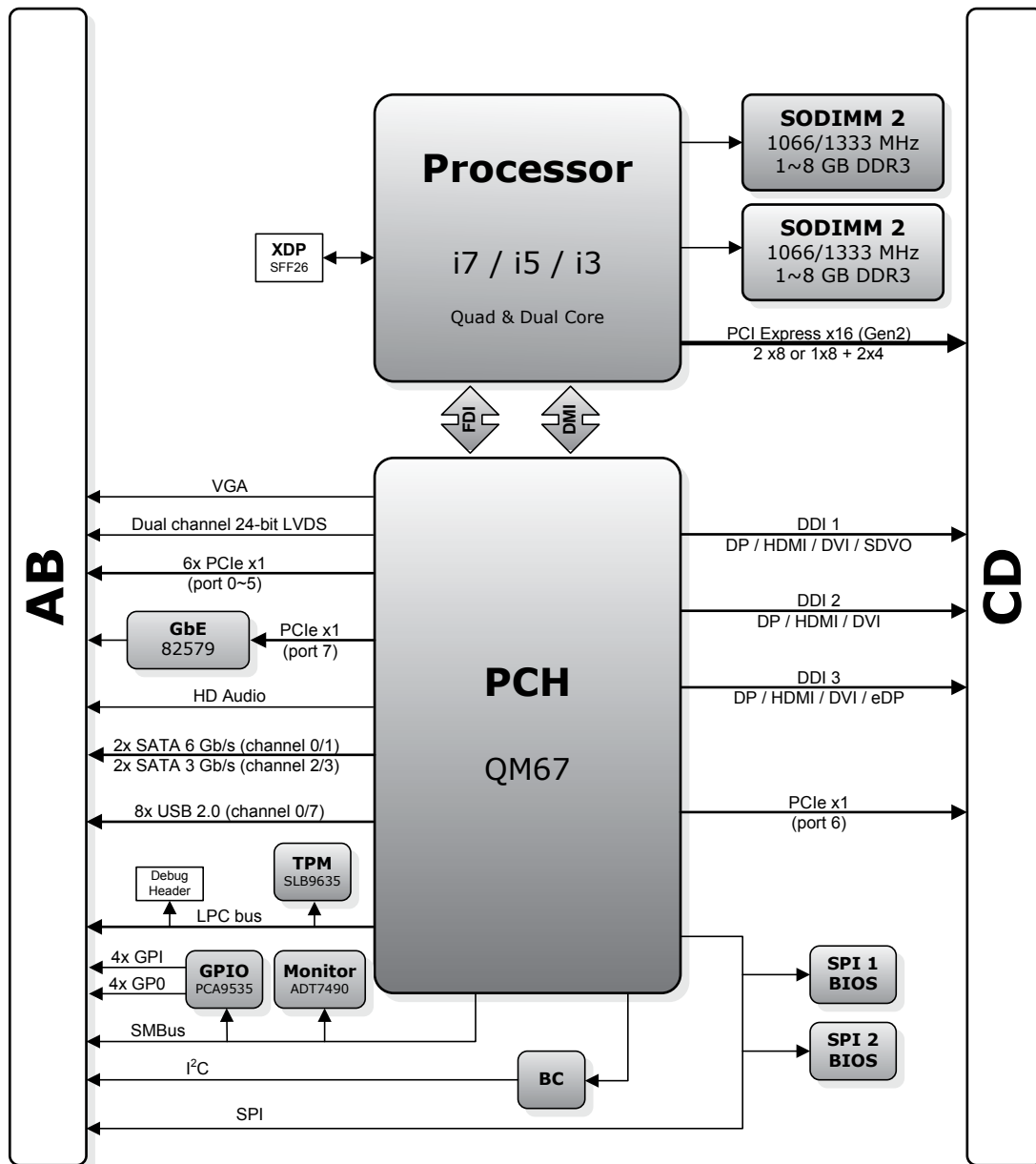
Mechanical and Environmental

Operating Temperature	Standard: 0°C to 60°C
Storage Temperature	-20°C to 80°C
Humidity	90% at 60°C
Shock	15G peak-to-peak, 11ms duration, non-operating
Vibration	Non-operating: 1.88Grms, 5-500Hz, each axis Operating: 0.5Grms, 5-500Hz, each axis
Compatibility	COM Express Type 6, Basic form factor 125mm x 95mm
Certification	CE, FCC, HALT

Operating Systems

Standard Support	Windows XP(e) / Windows 7 Linux
Extended Support (BSP)	Embedded XP support package Linux 2.6.x BSP VxWorks 6.x AIDI Library for Windows and Linux

Functional Diagram



Ordering Information

Modules

Model Number	Description/Configuration
Express-HR-i7-2715QE	COM Express® Type 6 module with 4C Intel® Core i7-2715QE SV processor at 2.1GHz with QM67 chipset
Express-HR-i7-2655LE	COM Express® Type 6 module with 2C Intel® Core i7-2655LE LV processor at 2.2GHz with QM67 chipset
Express-HR-i7-2610UE	COM Express® Type 6 module with 2C Intel® Core i7-2610UE ULV processor at 1.5 GHz with QM67 Chipset
Express-HR-i5-2515E	COM Express® Type 6 module with 2C Intel® Core i5-2515E SV processor at 2.5 GHz with QM67 Chipset
Express-HR-i3-2310E	COM Express® Type 6 module with 2C Intel® Core i3-2310E SV processor at 2.1 GHz with QM67 Chipset
Express-HR-i3-2340UE	COM Express® Type 6 module with 2C Intel® Core i3-2340UE ULV processor at 1.3 GHz with QM67 Chipset
Express-HR-B810E	COM Express® Type 6 module with 2C Intel® Celeron® B810E SV processor at 1.6 GHz with QM67 Chipset
Express-HR-B-847E	COM Express® Type 6 module with 2C Intel® Celeron® B847E ULV processor at 1.1 GHz with QM67 Chipset

Note: All specifications are subject to change without further notice.

Accessories

Model Number	Description/Configuration
Passive Heatsinks	
THSH-HR-BL	High Profile Heatsink for Express-HR with threaded standoffs
Heat Spreaders	
HTS-HR-B	Heatspreader for Express-HR with threaded standoffs
Heatsink with Active Cooling	
THSF-HR-BL	High Performance Heatsink with Fan for Express-HR with threaded standoffs
THSF-HR-BL-QC	High Performance Heatsink with Fan for Express-HR Quad-Core CPU with threaded standoffs

Данный компонент на территории Российской Федерации

Вы можете приобрести в компании MosChip.

Для оперативного оформления запроса Вам необходимо перейти по данной ссылке:

<http://moschip.ru/get-element>

Вы можете разместить у нас заказ для любого Вашего проекта, будь то серийное производство или разработка единичного прибора.

В нашем ассортименте представлены ведущие мировые производители активных и пассивных электронных компонентов.

Нашей специализацией является поставка электронной компонентной базы двойного назначения, продукции таких производителей как XILINX, Intel (ex.ALTERA), Vicor, Microchip, Texas Instruments, Analog Devices, Mini-Circuits, Amphenol, Glenair.

Сотрудничество с глобальными дистрибьюторами электронных компонентов, предоставляет возможность заказывать и получать с международных складов практически любой перечень компонентов в оптимальные для Вас сроки.

На всех этапах разработки и производства наши партнеры могут получить квалифицированную поддержку опытных инженеров.

Система менеджмента качества компании отвечает требованиям в соответствии с ГОСТ Р ИСО 9001, ГОСТ РВ 0015-002 и ЭС РД 009

Офис по работе с юридическими лицами:

105318, г.Москва, ул.Щербаковская д.3, офис 1107, 1118, ДЦ «Щербаковский»

Телефон: +7 495 668-12-70 (многоканальный)

Факс: +7 495 668-12-70 (доб.304)

E-mail: info@moschip.ru

Skype отдела продаж:

moschip.ru

moschip.ru_4

moschip.ru_6

moschip.ru_9