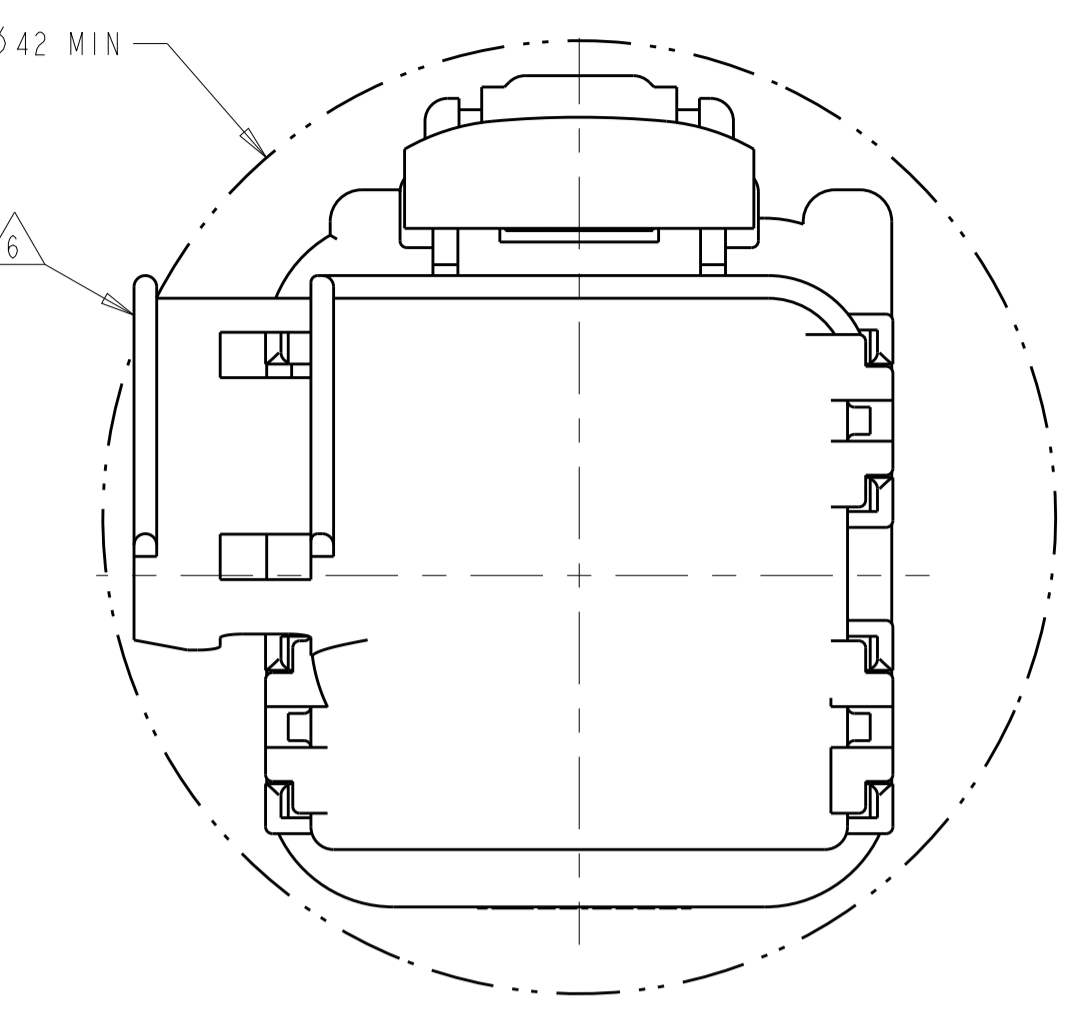
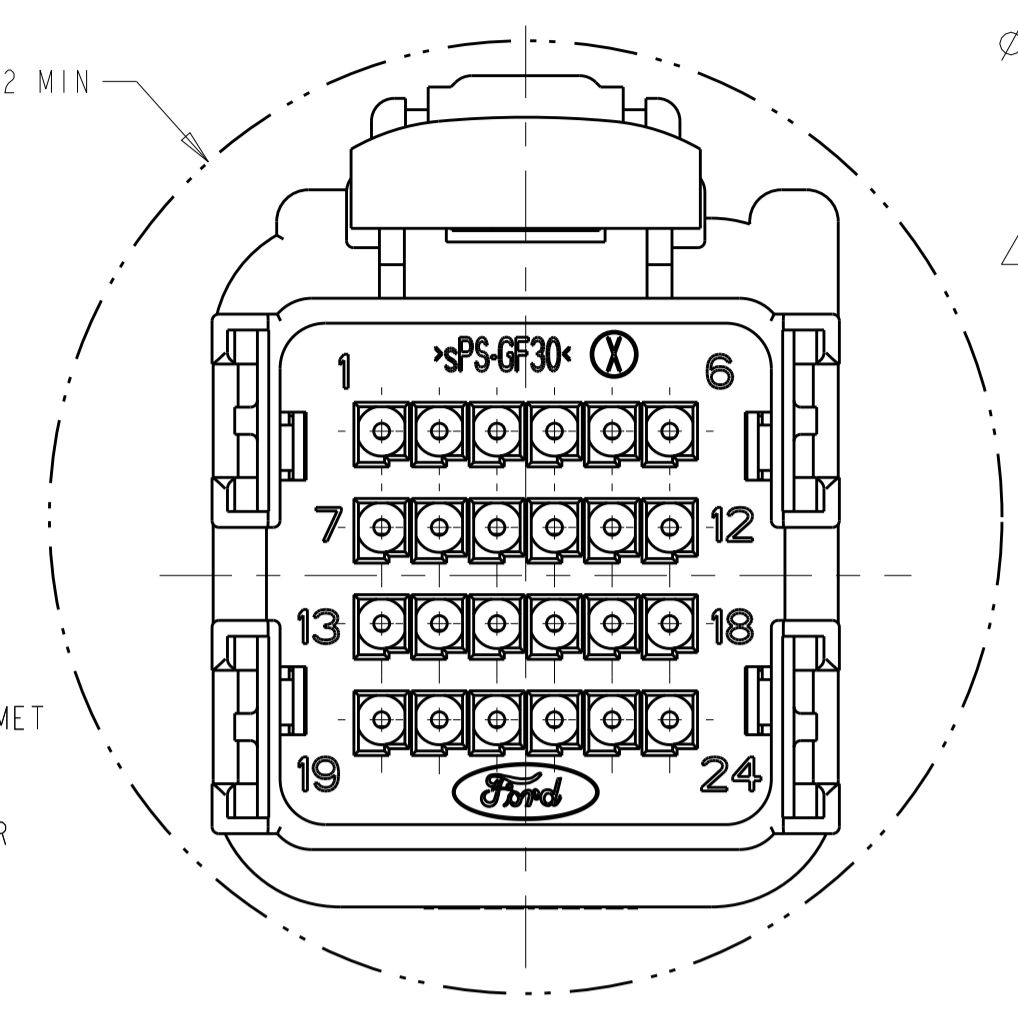
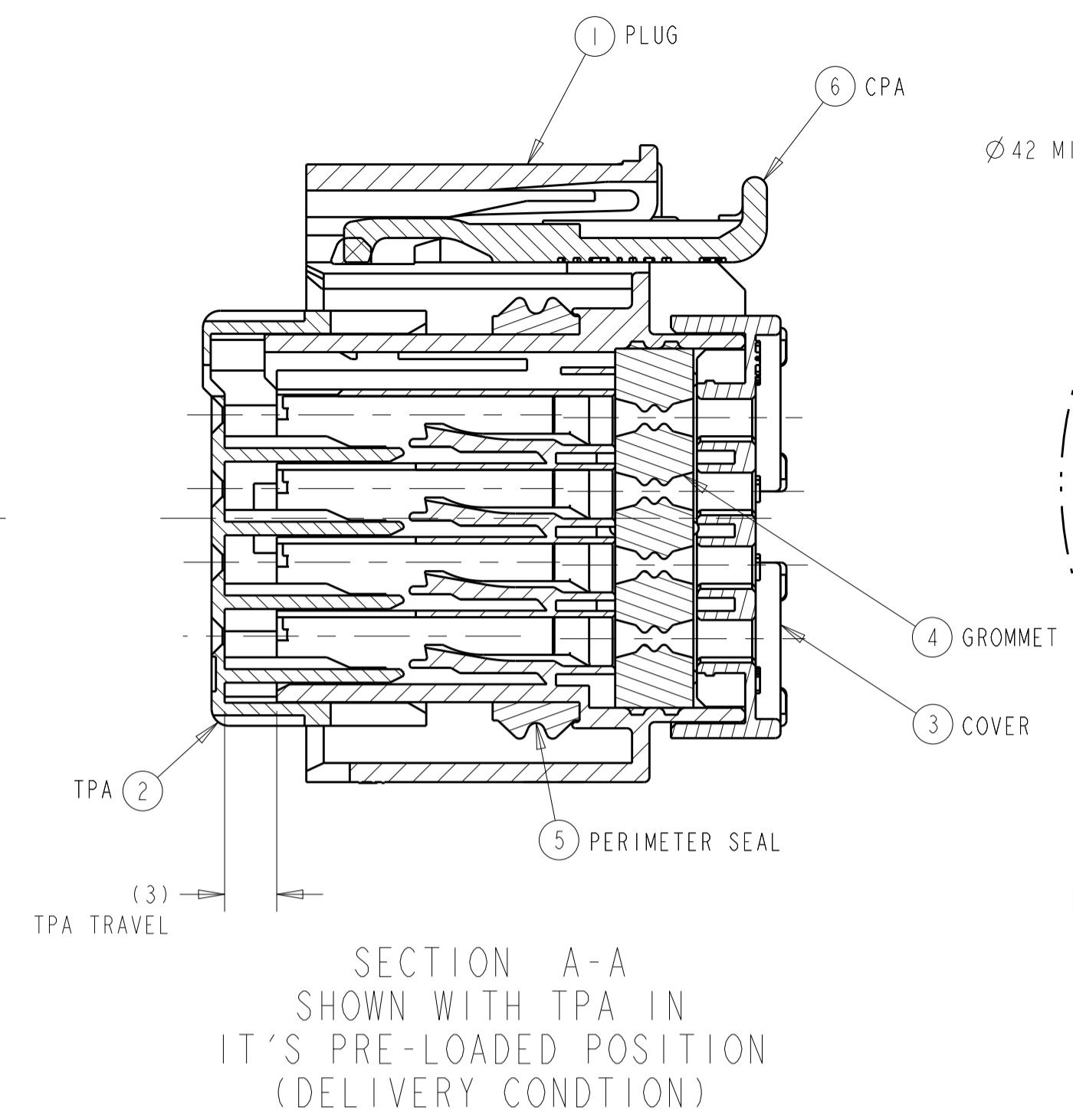
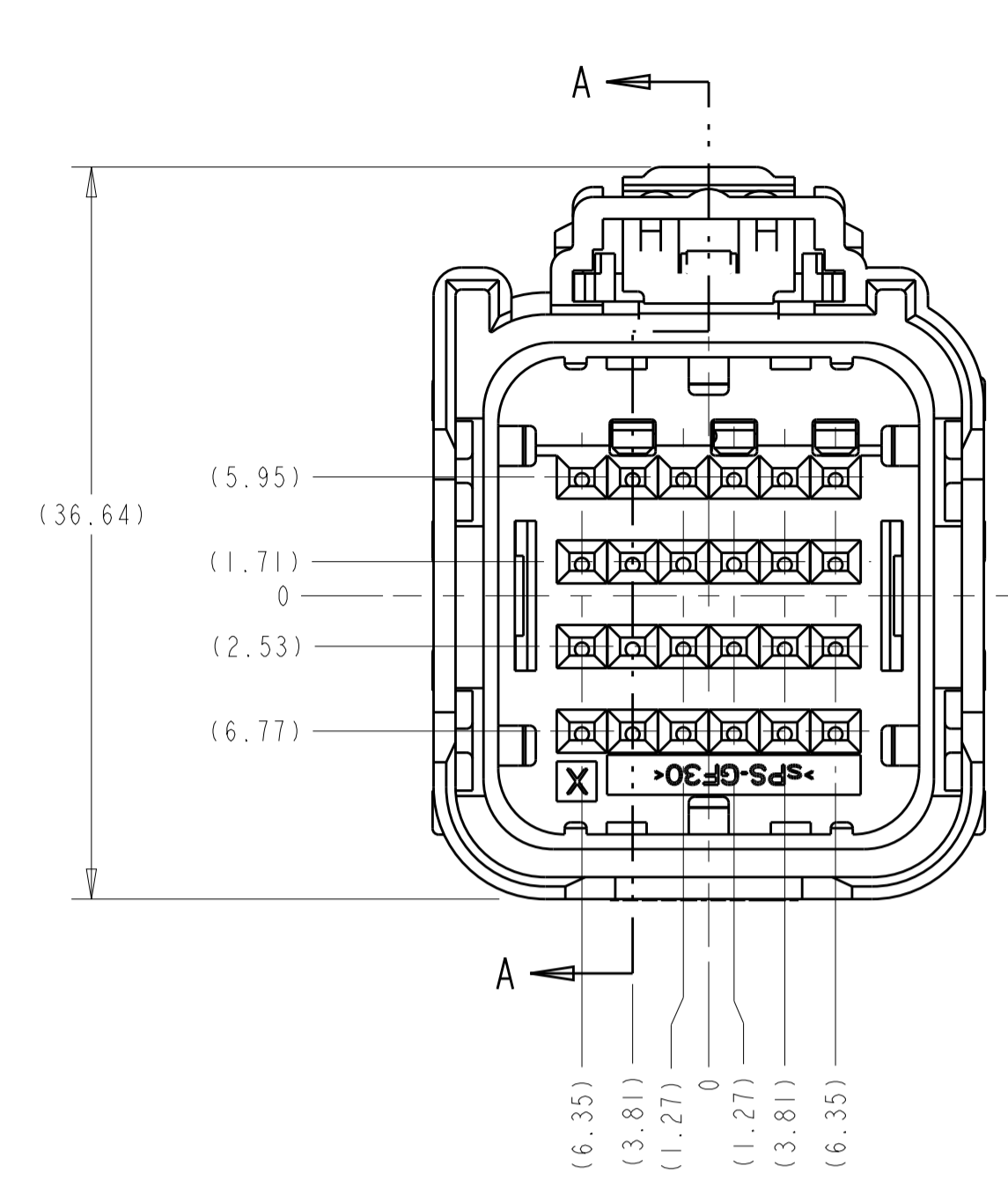
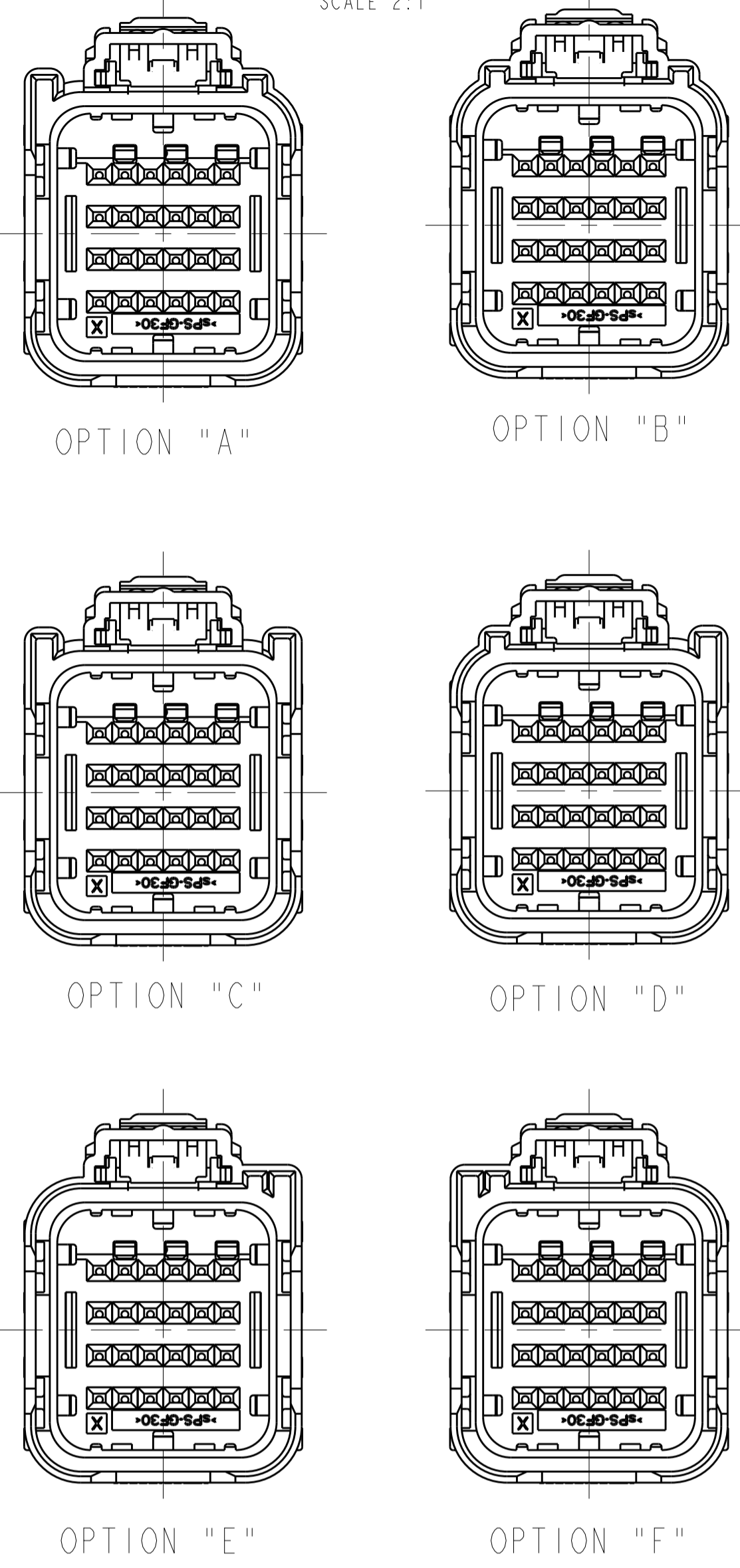
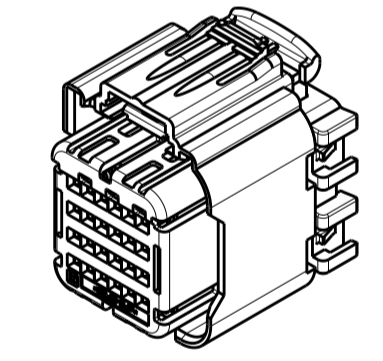
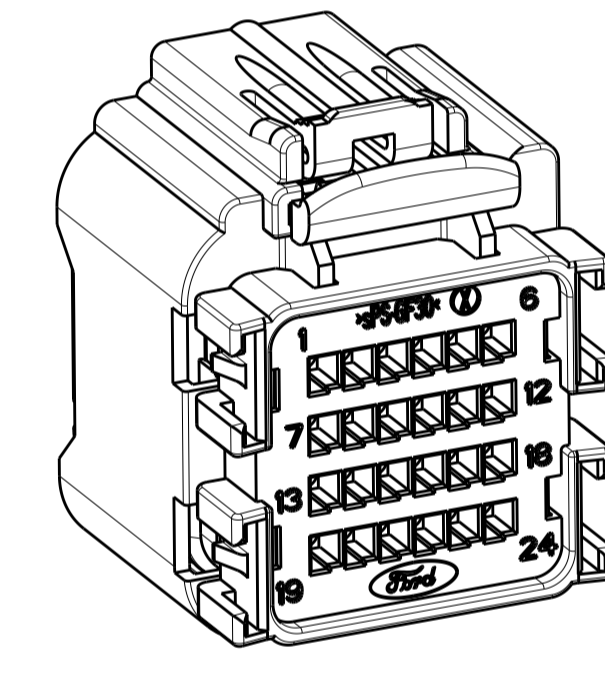
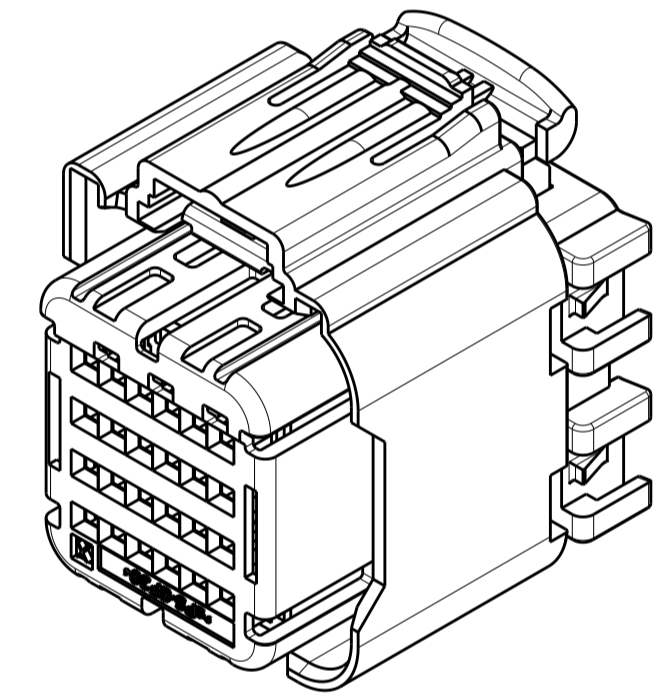
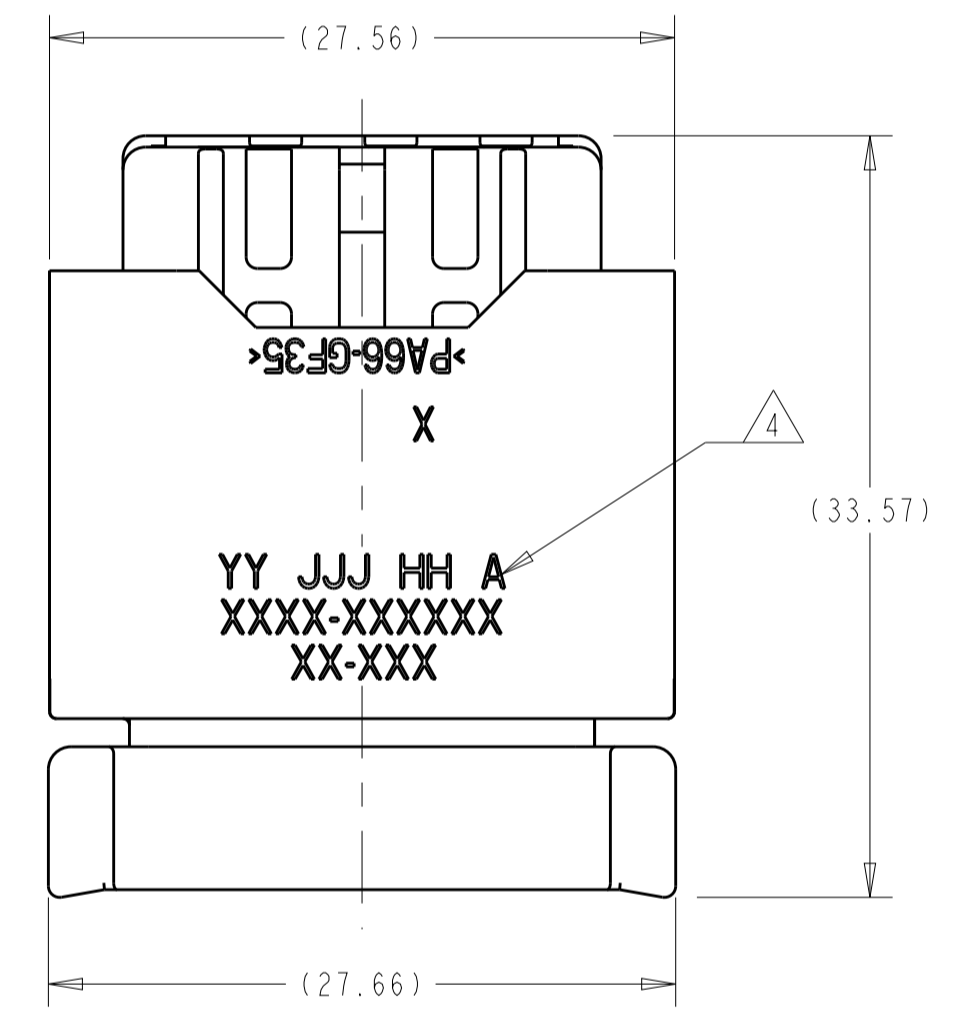


KEYING OPTIONS  
SCALE 2:1



- APPLICABLE TERMINAL PART NUMBERS (SOLD SEPARATELY):  
FOR TIN APPLICATIONS: 1393367 AND 1393366.  
FOR GOLD APPLICATIONS: 1393365 AND 1393364.  
FOR TERMINATION AND REELING OPTIONS  
SEE DRAWINGS 1393367, 1393366, 1393365, AND 1393364.
- COMPATIBLE WIRE SIZES FOR MAT SEAL DESIGN 1.19 TO 2.06 O.D.  
(22-18 AWG, 0.35-0.75 mm<sup>2</sup>)
- TPA IS SHIPPED IN IT'S PRE-LOADED POSITION. ALL ASSEMBLIES ARE TO BE TRAY PACKAGED.
- CUSTOMER PART NUMBER AND TRACEABILITY CODE (YY = TWO DIGIT YEAR, JJJ = JULIAN DAY, HH = TWO DIGIT MILITARY HOUR, A = ASSEMBLY PROCESS USED) ARE PRINTED IN THIS LOCATION.
- PART ASSEMBLY WEIGHT WITHOUT TERMINALS AND WITH STANDARD PIN-OUT CONFIGURATION IS 14.39 GRAMS.
- OPTIONAL WIRESHIELD P/N 7-1419157-8 (SOLD SEPARATELY). PLEASE CONTACT YOUR TE SALES REPRESENTATIVE FOR AVAILABILITY AND PRICING.



ASSEMBLY PART NUMBERS																																																																									
1-1438103-7	1-1438103-6	1-1438103-5	1-1438356-2	2-1438095-3	1-1438103-4	1438582-3	1-1438356-1	1-1438096-4	1-1438103-3	1-1438356-0	2-1438095-2	1-1438096-3	1-1438096-2	1-1438096-1	1438583-3	1438583-2	1438583-1	1438582-2	1438582-1	1-1438103-2	2-1438095-1	2-1438095-0	1-1438095-9	1-1438103-1	1-1438095-8	1-1438095-7	1-1438103-0	2-1438103-0	1438356-9	1438356-8	1438103-9	1-1438095-6	1-1438095-5	1-1438095-4	1438356-7	1438356-6	1438356-5	1438356-4	1-1438095-3	1-1438095-2	1438103-8	1438356-3	1-1438095-1	1438356-2	1438356-1	1-1438096-0	1438096-9	1438096-8	1438096-7	1438096-6	1438096-5	1438096-4	1438096-3	1438096-2	4-1419171-1	1-1438095-0	1438095-9	1438095-8	1438095-7	1438095-6	1438095-5	1438095-4	1438095-3	4-1419171-0	1438103-7	1438103-6	1438103-5	1438103-4	1438103-3	1438103-2	1438103-1	7-1419157-7	3-1419171-9
QUANTITY																																																																									

KEYING OPTION "A" SHOWN

ITEM	DESCRIPTION	MATERIAL	FINISH/COLOR
6	CPA	PBT 15% GF	RED
5	PERIMETER SEAL	SILICONE	GREEN
4	GROMMET	SILICONE	BROWN
3	COVER	PA66 35% GF	BLACK
2	TPA WITH 3 SHORTING BAR POSITIONS CONFIGURATION	sPS 30% GF	RED
1	PLUG WITH KEYING OPTION "F" AND 3 SHORTING BAR POSITIONS CONFIGURATION	PA66 35% GF	BLACK
1	PLUG WITH KEYING OPTION "E" AND 3 SHORTING BAR POSITIONS CONFIGURATION	PA66 35% GF	BLACK
1	PLUG WITH KEYING OPTION "D" AND 3 SHORTING BAR POSITIONS CONFIGURATION	PA66 35% GF	BLACK
1	PLUG WITH KEYING OPTION "C" AND 3 SHORTING BAR POSITIONS CONFIGURATION	PA66 35% GF	NATURAL
1	PLUG WITH KEYING OPTION "B" AND 3 SHORTING BAR POSITIONS CONFIGURATION	PA66 35% GF	BLACK
1	PLUG WITH KEYING OPTION "A" AND 3 SHORTING BAR POSITIONS CONFIGURATION	PA66 35% GF	GRAY

THIS DRAWING IS A CONTROLLED DOCUMENT.

OWN: M. FORLSKA 16APR2002  
CHK: M. FORLSKA 16APR2002  
APVD: A. VALASEK 16APR2002

TE Connectivity

NAME: 24 WAY ARM, PLUG ASSEMBLY WITHOUT SHORTING BARS, CUSTOMER SPEC.

SIZE: CAGE CODE: DRAWING NO: RESTRICTED TO: A1 00779 C-3-1419157-9

WEIGHT: SEE NOTE 5

CUSTOMER DRAWING

SCALE: 3:1 SHEET 1 OF 3 REV: BK

LOC	DIST	REVISIONS					
		P.	LTN	DESCRIPTION	DATE	DWN	APVD
FX	00	-	-	SEE SHEET 1	-	-	-

ASSEMBLY PART NUMBERS		QUANTITY		ITEM	DESCRIPTION	MATERIAL	FINISH/COLOR
2096672-1							
2035010-2							
2035010-1							
2035009-3							
2035009-2							
2035009-1							
2035008-3							
2035008-2							
2035008-1							
2035007-2							
2035007-1							
3-1438103-6							
3-1438103-5							
3-1438103-4							
3-1438103-3							
3-1438103-2							
3-1438103-1							
3-1438103-0							
2-1438103-9							
2-1438103-8							
2-1438103-7							
2-1438103-6							
2-1438103-5							
2-1438103-4							
2-1438103-3							
2-1438103-2							
1-1438356-9							
1-1438356-8							
1-1438356-7							
1-1438356-6							
1-1438356-5							
1-1438356-4							
1438582-5							
1438582-4							
1-1438096-8							
1-1438096-5							
1-1438356-3							
1-1438103-9							
1-1438103-8							
				6	CPA	PBT 15% GF	RED
				5	PERIMETER SEAL	SILICONE	GREEN
				4	GROMMET	SILICONE	BROWN
				3	COVER	PA66 35% GF	BLACK
				2	TPA WITH 3 SHORTING BAR POSITIONS CONFIGURATION	sPS 30% GF	RED
				1	PLUG WITH KEYING OPTION "F" AND 3 SHORTING BAR POSITIONS CONFIGURATION	PA66 35% GF	BLACK
				1	PLUG WITH KEYING OPTION "E" AND 3 SHORTING BAR POSITIONS CONFIGURATION	PA66 35% GF	BLACK
				1	PLUG WITH KEYING OPTION "D" AND 3 SHORTING BAR POSITIONS CONFIGURATION	PA66 35% GF	BLACK
				1	PLUG WITH KEYING OPTION "C" AND 3 SHORTING BAR POSITIONS CONFIGURATION	PA66 35% GF	NATURAL
				1	PLUG WITH KEYING OPTION "B" AND 3 SHORTING BAR POSITIONS CONFIGURATION	PA66 35% GF	BLACK
				1	PLUG WITH KEYING OPTION "A" AND 3 SHORTING BAR POSITIONS CONFIGURATION	PA66 35% GF	GRAY

THIS DRAWING IS A CONTROLLED DOCUMENT.		DWN M. FORLSKA 16APR2002	 TE Connectivity NAME 24 WAY ARM, PLUG ASSEMBLY WITHOUT SHORTING BARS, CUSTOMER SPEC.
DIMENSIONS: mm		CHK M. FORLSKA 16APR2002	
		APVD A. VALASEK 16APR2002	PRODUCT SPEC
TOLERANCES UNLESS OTHERWISE SPECIFIED:			APPLICATION SPEC
0 PLC ± 1 PLC ±0.3 2 PLC ±0.10 3 PLC ± 4 PLC ± ANGLES ±° FINISH			SIZE CAGE CODE DRAWING NO RESTRICTED TO
MATERIAL SEE CHART ABOVE			WEIGHT A1 00779 C=3-1419157-9
			CUSTOMER DRAWING SCALE 3:1 SHEET 2 OF 3 REV BK

REVISIONS table with columns: NO, DATE, BY, APPD, DESCRIPTION

PIN-OUT CHART for terminal positions 1-24, listing assembly part numbers and keying options (A-F)

PIN-OUT CHART for terminal positions 1-24, listing assembly part numbers and keying options (A-F)

TERMINAL HOLE POSITION... CAVITIES WITH A NUMERIC SYMBOL INDICATE CLOSED TERMINAL HOLE POSITIONS...

TERMINAL HOLE POSITION... CAVITIES WITH A NUMERIC SYMBOL INDICATE CLOSED TERMINAL HOLE POSITIONS...

Controlled drawing block containing dimensions, tolerances, material, weight, and customer drawing information.

## Данный компонент на территории Российской Федерации

### Вы можете приобрести в компании MosChip.

Для оперативного оформления запроса Вам необходимо перейти по данной ссылке:

<http://moschip.ru/get-element>

Вы можете разместить у нас заказ для любого Вашего проекта, будь то серийное производство или разработка единичного прибора.

В нашем ассортименте представлены ведущие мировые производители активных и пассивных электронных компонентов.

Нашей специализацией является поставка электронной компонентной базы двойного назначения, продукции таких производителей как XILINX, Intel (ex.ALTERA), Vicor, Microchip, Texas Instruments, Analog Devices, Mini-Circuits, Amphenol, Glenair.

Сотрудничество с глобальными дистрибьюторами электронных компонентов, предоставляет возможность заказывать и получать с международных складов практически любой перечень компонентов в оптимальные для Вас сроки.

На всех этапах разработки и производства наши партнеры могут получить квалифицированную поддержку опытных инженеров.

Система менеджмента качества компании отвечает требованиям в соответствии с ГОСТ Р ИСО 9001, ГОСТ РВ 0015-002 и ЭС РД 009

### Офис по работе с юридическими лицами:

105318, г.Москва, ул.Щербаковская д.3, офис 1107, 1118, ДЦ «Щербаковский»

Телефон: +7 495 668-12-70 (многоканальный)

Факс: +7 495 668-12-70 (доб.304)

E-mail: [info@moschip.ru](mailto:info@moschip.ru)

Skype отдела продаж:

moschip.ru

moschip.ru\_4

moschip.ru\_6

moschip.ru\_9