



## **iCE40LM Family Data Sheet**

---

DS1045 Version 1.5, March 2015

## General Description

iCE40LM family is an ultra-low power FPGA and sensor manager designed for ultra-low power mobile applications, such as smartphones, tablets and hand-held devices. The iCE40LM family includes integrated SPI & I<sup>2</sup>C blocks to interface with virtually all mobile sensors and application processors. The iCE40LM family also features two Strobe Generators that can generate strobes in Microsecond ranges with the Low-Power Strobe Generator, and also generates strobes in Nanosecond ranges with the High-Speed Strobe Generator.

In addition, the iCE40LM family of devices includes logic to perform other functions such as mobile bridging, antenna tuning, GPIO expansion, motion/gesture recognition, IR remote control, bar code emulation and other custom functions.

The iCE40LM family features three device densities, from 1100 to 3520 Look Up Tables (LUTs) of logic with programmable I/Os that can be used as either SPI/I<sup>2</sup>C interface ports or general purpose I/O's. It also has up to 80 kbits of Block RAMs to work with user logic.

## Features

- **Flexible Logic Architecture**
  - Three devices with 1100 to 3520 LUTs
  - 18 I/O pins for 25-pin WLCSP
- **Ultra-low Power Devices**
  - Advanced 40 nm ultra-low power process
  - As low as 120  $\mu$ W standby power typical
- **Embedded and Distributed Memory**
  - Up to 80 kbits sysMEM™ Embedded Block RAM
- **Two Hardened I<sup>2</sup>C Interfaces**
- **Two Hardened SPI Interfaces**
- **Two On-Chip Strobe Generators**
  - Low-Power Strobe Generator (Microsecond ranges)
  - High-Speed Strobe Generator (Nanosecond ranges)
- **High Current Drive Outputs for LED**
  - Three High Drive (HD) output in each device
  - Source/sink nominal 24 mA
- **Flexible On-Chip Clocking**
  - Six low-skew global signal resource
- **Flexible Device Configuration**
  - SRAM is configured through SPI
- **Ultra-Small Form Factor**
  - As small as 25-pin WLCSP package 1.71 mm x 1.71 mm

## Applications

- Smartphones
- Tablets and Consumer Handheld Devices
- Handheld Commercial and Industrial Devices
- Multi Sensor Management Applications
- Sensor Pre-processing & Sensor Fusion
- Always-On Sensor Applications

**Table 1-1. iCE40LM Family Selection Guide**

| Part Number                              | iCE40LM1K              | iCE40LM2K | iCE40LM4K |
|--|------------------------|-----------|-----------|
| Logic Cells (LUT + Flip-Flop)            | 1100                   | 2048      | 3520      |
| RAM4K Memory Blocks                      | 16                     | 20        | 20        |
| RAM4K RAM Bits                           | 64K                    | 80K       | 80K       |
| Package                                  | Programmable I/O Count |           |           |
| 25-pin WLCSP, 1.71 mm x 1.71 mm, 0.35 mm | 18                     | 18        | 18        |
| 36-pin ucBGA, 2.5 mm x 2.5 mm, 0.40 mm   | 28                     | 28        | 28        |
| 49-pin ucBGA, 3 mm x 3 mm, 0.40 mm       | 37                     | 37        | 37        |

## Introduction

The iCE40LM family of ultra-low power FPGAs has three devices with densities ranging from 1100 to 3520 Look-Up Tables (LUTs). In addition to LUT-based, low-cost programmable logic, these devices also feature Embedded Block RAM (EBR), two Strobe Generators (LPSG, HSSG), two hardened I<sup>2</sup>C Controllers and two hardened SPI Controllers. These features allow the devices to be used in low-cost, high-volume consumer and mobile applications.

The iCE40LM devices are fabricated on a 40nm CMOS low power process. The device architecture has several features such as user configurable I<sup>2</sup>C and SPI Controllers, either as master or slave, and two Strobe Generators.

The iCE40LM FPGAs are available in very small form factor packages, with the smallest in 25-pin WLCSP. The 25-pin WLCSP package has a 0.35 mm ball pitch, resulting to an overall package size of 1.71 mm x 1.71 mm that easily fits into a lot of mobile applications. Table 1-1 shows the LUT densities, package and I/O pin count.

The iCE40LM devices offer enhanced I/O features such as pull-up resistors. Pull-up features are controllable on a “per-pin” basis.

Lattice provides a variety of design tools that allow complex designs to be efficiently implemented using the iCE40LM family of devices. Popular logic synthesis tools provide synthesis library support for iCE40LM. Lattice design tools use the synthesis tool output along with the user-specified preferences and constraints to place and route the design in the iCE40LM device. These tools extract the timing from the routing and back-annotate it into the design for timing verification.

Lattice provides many pre-engineered IP (Intellectual Property) modules, including a number of reference designs, licensed free of charge, optimized for the iCE40LM FPGA family. Lattice also can provide fully verified bit-stream for some of the widely used target functions in mobile device applications, such as ultra-low power sensor management, gesture recognition, IR remote, barcode emulator functions. Users can use these functions as offered by Lattice, or they can use the design to create their own unique required functions. For more information regarding Lattice’s Reference Designs or fully-verified bitstreams, please contact your local Lattice representative.

## Architecture Overview

The iCE40LM family architecture contains an array of Programmable Logic Blocks (PLB), two Strobe Generators, two user configurable I<sup>2</sup>C controllers, two user configurable SPI controllers, and blocks of sysMEM™ Embedded Block RAM (EBR) surrounded by Programmable I/O (PIO). Figure 2-1 shows the block diagram of the iCE40LM-4K device.

**Figure 2-1. iCE40LM-4K Device, Top View**



The logic blocks, Programmable Logic Blocks (PLB) and sysMEM EBR blocks, are arranged in a two-dimensional grid with rows and columns. Each column has either logic blocks or EBR blocks. The PIO cells are located at the top and bottom of the device, arranged in banks. The PLB contains the building blocks for logic, arithmetic, and register functions. The PIOs utilize a flexible I/O buffer referred to as a sysIO buffer that supports operation with a variety of interface standards. The blocks are connected with many vertical and horizontal routing channel resources. The place and route software tool automatically allocates these routing resources.

In the iCE40LM family, There are two sysIO banks, one on top and one on bottom. User can connect both  $V_{CCIO}$ s together, if all the I/Os are using the same voltage standard. Refer to the details in later sections of this document. The sysMEM EBRs are large 4 kbit, dedicated fast memory blocks. These blocks can be configured as RAM, ROM or FIFO with user logic using PLBs.

Every device in the family has two user SPI ports, one of these (right side) SPI port also supports programming and configuration of the device. The iCE40LM also includes two user I<sup>2</sup>C ports, and two Strobe Generators.

## PLB Blocks

The core of the iCE40LM device consists of Programmable Logic Blocks (PLB) which can be programmed to perform logic and arithmetic functions. Each PLB consists of eight interconnected Logic Cells (LC) as shown in Figure 2-2. Each LC contains one LUT and one register.

**Figure 2-2. PLB Block Diagram**



## Logic Cells

Each Logic Cell includes three primary logic elements shown in Figure 2-2.

- A four-input Look-Up Table (LUT) builds any combinational logic function, of any complexity, requiring up to four inputs. Similarly, the LUT element behaves as a 16x1 Read-Only Memory (ROM). Combine and cascade multiple LUTs to create wider logic functions.
- A 'D'-style Flip-Flop (DFF), with an optional clock-enable and reset control input, builds sequential logic functions. Each DFF also connects to a global reset signal that is automatically asserted immediately following device configuration.
- Carry Logic boosts the logic efficiency and performance of arithmetic functions, including adders, subtracters, comparators, binary counters and some wide, cascaded logic functions.

**Table 2-1. Logic Cell Signal Descriptions**

| Function | Type             | Signal Names           | Description  |
|----------|------------------|------------------------|--|
| Input    | Data signal      | I0, I1, I2, I3         | Inputs to LUT  |
| Input    | Control signal   | Enable                 | Clock enable shared by all LCs in the PLB  |
| Input    | Control signal   | Set/Reset <sup>1</sup> | Asynchronous or synchronous local set/reset shared by all LCs in the PLB.  |
| Input    | Control signal   | Clock                  | Clock one of the eight Global Buffers, or from the general-purpose interconnects fabric shared by all LCs in the PLB |
| Input    | Inter-PLB signal | FCIN                   | Fast carry in  |
| Output   | Data signals     | O                      | LUT or registered output   |
| Output   | Inter-PFU signal | FCOUT                  | Fast carry out   |

1. If Set/Reset is not used, then the flip-flop is never set/reset, except when cleared immediately after configuration.

## Routing

There are many resources provided in the iCE40LM devices to route signals individually with related control signals. The routing resources consist of switching circuitry, buffers and metal interconnect (routing) segments.

The inter-PLB connections are made with three different types of routing resources: Adjacent (spans two PLBs), x4 (spans five PLBs) and x12 (spans thirteen PLBs). The Adjacent, x4 and x12 connections provide fast and efficient connections in the diagonal, horizontal and vertical directions.

The design tool takes the output of the synthesis tool and places and routes the design.

## Clock/Control Distribution Network

Each iCE40LM device has six global inputs, two pins on the top bank and four pins on the bottom bank

These global inputs can be used as high fanout nets, clock, reset or enable signals. The dedicated global pins are identified as Gxx and the global buffers are identified as GBUF[7:0]. These six inputs may be used as general purpose I/O if they are not used to drive the clock nets.

Table 2-2 lists the connections between a specific global buffer and the inputs on a PLB. All global buffers optionally connect to the PLB CLK input. Any four of the eight global buffers can drive logic inputs to a PLB. Even-numbered global buffers optionally drive the Set/Reset input to a PLB. Similarly, odd-numbered buffers optionally drive the PLB clock-enable input. GBUF[7:6, 3:0] can connect directly to G[7:6, 3:0] pins respectively. GBUF4 and GBUF5 can connect to the two on-chip Strobe Generators (GBUF4 connects to LPSG, GBUF5 connects to HSSG).

**Table 2-2. Global Buffer (GBUF) Connections to Programmable Logic Blocks**

| Global Buffer | LUT Inputs                     | Clock | Clock Enable | Reset |
|---------------|--------------------------------|-------|--------------|-------|
| GBUF0         | Yes, any 4 of 8<br>GBUF Inputs | Yes   | Yes          |       |
| GBUF1         |                                | Yes   |              | Yes   |
| GBUF2         |                                | Yes   | Yes          |       |
| GBUF3         |                                | Yes   |              | Yes   |
| GBUF4         |                                | Yes   | Yes          |       |
| GBUF5         |                                | Yes   |              | Yes   |
| GBUF6         |                                | Yes   | Yes          |       |
| GBUF7         |                                | Yes   |              | Yes   |

The maximum frequency for the global buffers are shown in the iCE40LM External Switching Characteristics tables later in this document.

### Global Hi-Z Control

The global high-impedance control signal, GHIZ, connects to all I/O pins on the iCE40LM device. This GHIZ signal is automatically asserted throughout the configuration process, forcing all user I/O pins into their high-impedance state.

### Global Reset Control

The global reset control signal connects to all PLB and PIO flip-flops on the iCE40LM device. The global reset signal is automatically asserted throughout the configuration process, forcing all flip-flops to their defined wake-up state. For PLB flip-flops, the wake-up state is always reset, regardless of the PLB flip-flop primitive used in the application.

**sysCLOCK Phase Locked Loops (PLLs) - NOT SUPPORTED on the 25-Pin WLCSP**

The sysCLOCK PLLs provide the ability to synthesize clock frequencies. The iCE40LM devices have one sysCLOCK PLL (Please note that the 25-pin WLCSP package does not support the PLL). REFERENCECLK is the reference frequency input to the PLL and its source can come from an external I/O pin, the internal strobe generator or from internal routing. EXTFEEDBACK is the feedback signal to the PLL which can come from internal routing or an external I/O pin. The feedback divider is used to multiply the reference frequency and thus synthesize a higher frequency clock output.

The PLLOUT output has an output divider, thus allowing the PLL to generate different frequencies for each output. The output divider can have a value from 1 to 64 (in increments of 2X). The PLLOUT outputs can all be used to drive the iCE40 global clock network directly or general purpose routing resources can be used.

The LOCK signal is asserted when the PLL determines it has achieved lock and de-asserted if a loss of lock is detected. A block diagram of the PLL is shown in Figure 2-3.

The timing of the device registers can be optimized by programming a phase shift into the PLLOUT output clock which will advance or delay the output clock with reference to the REFERENCECLK clock. This phase shift can be either programmed during configuration or can be adjusted dynamically. In dynamic mode, the PLL may lose lock after a phase adjustment on the output used as the feedback source and not relock until the tLOCK parameter has been satisfied.

The iCE40LM PLL functions the same as the PLLs in the iCE40 family. For more details on the PLL, see TN1251, [iCE40 sysCLOCK PLL Design and Usage Guide](#).

**Figure 2-3. PLL Diagram**

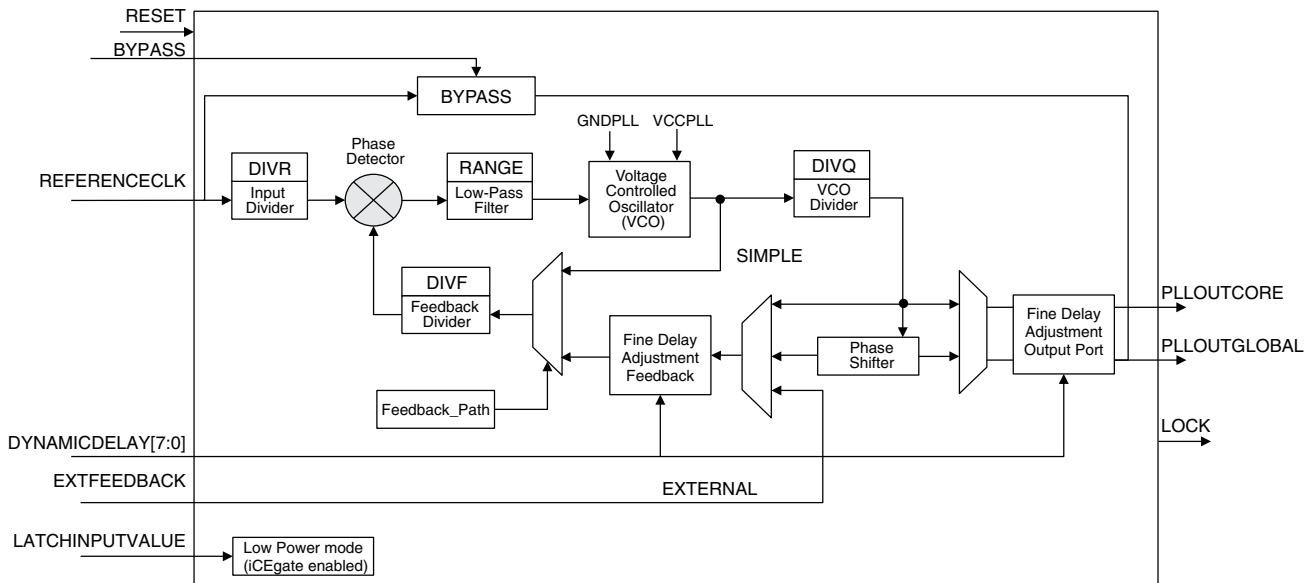


Table 2-3 provides signal descriptions of the PLL block.

**Table 2-3. PLL Signal Descriptions**

| Signal Name       | Direction | Description   |
|-------------------|-----------|---|
| REFERENCECLK      | Input     | Input reference clock   |
| BYPASS            | Input     | The BYPASS control selects which clock signal connects to the PLL-OUT output.<br>0 = PLL generated signal<br>1 = REFERENCECLK   |
| EXTFEEDBACK       | Input     | External feedback input to PLL. Enabled when the FEEDBACK_PATH attribute is set to EXTERNAL.  |
| DYNAMICDELAY[7:0] | Input     | Fine delay adjustment control inputs. Enabled when DELAY_ADJUSTMENT_MODE is set to DYNAMIC.   |
| LATCHINPUTVALUE   | Input     | When enabled, forces the PLL into low-power mode; PLL output is held static at the last input clock value. Set ENABLE ICEGATE_PORTA and PORTB to '1' to enable.                             |
| PLLOUTGLOBAL      | Output    | Output from the Phase-Locked Loop (PLL). Drives a global clock network on the FPGA. The port has optimal connections to global clock buffers GBUF4 and GBUF5.                               |
| PLLOUTCORE        | Output    | Output clock generated by the PLL, drives regular FPGA routing. The frequency generated on this output is the same as the frequency of the clock signal generated on the PLLOUTGLOBAL port. |
| LOCK              | Output    | When High, indicates that the PLL output is phase aligned or locked to the input reference clock.   |
| RESET             | Input     | Active low reset.   |

### sysMEM Embedded Block RAM Memory

Larger iCE40LM device includes multiple high-speed synchronous sysMEM Embedded Block RAMs (EBRs), each 4 kbit in size. This memory can be used for a wide variety of purposes including data buffering, and FIFO.

#### sysMEM Memory Block

The sysMEM block can implement single port, pseudo dual port, or FIFO memories with programmable logic resources. Each block can be used in a variety of depths and widths as shown in Table 2-4.

**Table 2-4. sysMEM Block Configurations<sup>1</sup>**

| Block RAM Configuration  | Block RAM Configuration and Size | WADDR Port Size (Bits) | WDATA Port Size (Bits) | RADDR Port Size (Bits) | RDATA Port Size (Bits) | MASK Port Size (Bits) |
|--|----------------------------------|------------------------|------------------------|------------------------|------------------------|-----------------------|
| SB_RAM256x16<br>SB_RAM256x16NR<br>SB_RAM256x16NW<br>SB_RAM256x16NRNW | 256x16 (4K)                      | 8 [7:0]                | 16 [15:0]              | 8 [7:0]                | 16 [15:0]              | 16 [15:0]             |
| SB_RAM512x8<br>SB_RAM512x8NR<br>SB_RAM512x8NW<br>SB_RAM512x8NRNW     | 512x8 (4K)                       | 9 [8:0]                | 8 [7:0]                | 9 [8:0]                | 8 [7:0]                | No Mask Port          |
| SB_RAM1024x4<br>SB_RAM1024x4NR<br>SB_RAM1024x4NW<br>SB_RAM1024x4NRNW | 1024x4 (4K)                      | 10 [9:0]               | 4 [3:0]                | 10 [9:0]               | 4 [3:0]                | No Mask Port          |
| SB_RAM2048x2<br>SB_RAM2048x2NR<br>SB_RAM2048x2NW<br>SB_RAM2048x2NRNW | 2048x2 (4K)                      | 11 [10:0]              | 2 [1:0]                | 11 [10:0]              | 2 [1:0]                | No Mask Port          |

1. For iCE40LM EBR primitives with a negative-edged Read or Write clock, the base primitive name is appended with a 'N' and a 'R' or 'W' depending on the clock that is affected.



### RAM Initialization and ROM Operation

If desired, the contents of the RAM can be pre-loaded during device configuration.

By preloading the RAM block during the chip configuration cycle and disabling the write controls, the sysMEM block can also be utilized as a ROM.

### Memory Cascading

Larger and deeper blocks of RAM can be created using multiple EBR sysMEM Blocks.

### RAM4k Block

Figure 2-4 shows the 256x16 memory configurations and their input/output names. In all the sysMEM RAM modes, the input data and addresses for the ports are registered at the input of the memory array.

**Figure 2-4. sysMEM Memory Primitives**



**Table 2-5. EBR Signal Descriptions**

| Signal Name | Direction | Description  |
|-------------|-----------|--|
| WDATA[15:0] | Input     | Write Data input.  |
| MASK[15:0]  | Input     | Masks write operations for individual data bit-lines. 0 = write bit; 1 = don't write bit |
| WADDR[7:0]  | Input     | Write Address input. Selects one of 256 possible RAM locations.                          |
| WE          | Input     | Write Enable input.  |
| WCLKE       | Input     | Write Clock Enable input.  |
| WCLK        | Input     | Write Clock input. Default rising-edge, but with falling-edge option.                    |
| RDATA[15:0] | Output    | Read Data output.  |
| RADDR[7:0]  | Input     | Read Address input. Selects one of 256 possible RAM locations.                           |
| RE          | Input     | Read Enable input.   |
| RCLKE       | Input     | Read Clock Enable input.   |
| RCLK        | Input     | Read Clock input. Default rising-edge, but with falling-edge option.                     |

The iCE40LM EBR block functions the same as EBR blocks in the iCE40 family. For further information on the sysMEM EBR block, please refer to TN1250, [Memory Usage Guide for iCE40 Devices](#).

## sysIO Buffer Banks

iCE40LM devices have up to two I/O banks with independent  $V_{CCIO}$  rails. Configuration bank  $V_{CC\_SPI}$  for the SPI I/Os is connected to  $V_{CCIO2}$  on the 25-pin WLCSP package.

## Programmable I/O (PIO)

The programmable logic associated with an I/O is called a PIO. The individual PIOs are connected to their respective sysIO buffers and pads. The PIOs are placed on the top and bottom of the devices.

**Figure 2-5. I/O Bank and Programmable I/O Cell**



The PIO contains three blocks: an input register block, output register block iCEGate™ and tri-state register block. To save power, the optional iCEGate™ latch can selectively freeze the state of individual, non-registered inputs within an I/O bank. Note that the freeze signal is common to the bank. These blocks can operate in a variety of modes along with the necessary clock and selection logic.

### Input Register Block

The input register blocks for the PIOs on all edges contain registers that can be used to condition high-speed interface signals before they are passed to the device core.

### Output Register Block

The output register block can optionally register signals from the core of the device before they are passed to the sysIO buffers.

Figure 2-6 shows the input/output register block for the PIOs.

Figure 2-6. iCE I/O Register Block Diagram

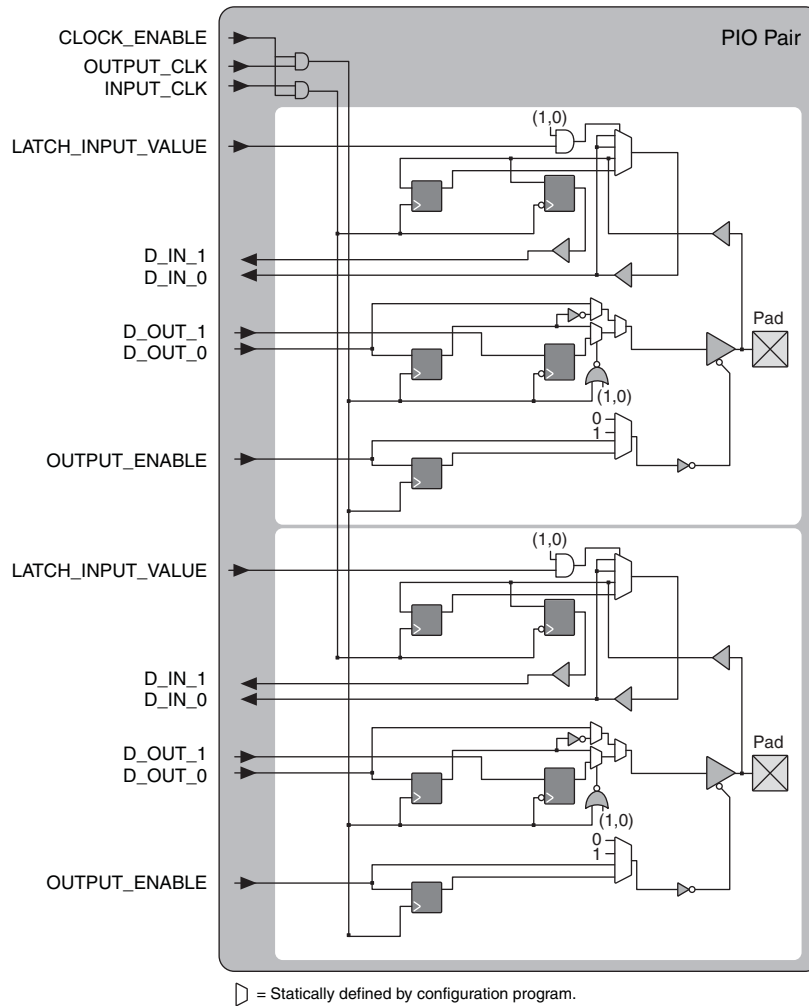


Table 2-6. PIO Signal List

| Pin Name          | I/O Type | Description                   |
|-------------------|----------|-------------------------------|
| OUTPUT_CLK        | Input    | Output register clock         |
| CLOCK_ENABLE      | Input    | Clock enable                  |
| INPUT_CLK         | Input    | Input register clock          |
| OUTPUT_ENABLE     | Input    | Output enable                 |
| D_OUT_0/1         | Input    | Data from the core            |
| D_IN_0/1          | Output   | Data to the core              |
| LATCH_INPUT_VALUE | Input    | Latches/holds the Input Value |

### sysIO Buffer

Each I/O is associated with a flexible buffer referred to as a sysIO buffer. These buffers are arranged around the periphery of the device in groups referred to as banks. The sysIO buffers allow users to implement a wide variety of standards that are found in today's systems with LVCMOS interfaces.

**Typical I/O Behavior During Power-up**

The internal power-on-reset (POR) signal is deactivated when  $V_{CC}$ ,  $V_{CCIO\_0}$ ,  $V_{CCIO\_2}$  and  $V_{CC\_SPI}$  ( $V_{CC\_SPI}$  is connected to  $V_{CCIO\_2}$  on the 25-pin WLCSP) reach the level defined in the Power-On-Reset Voltage table in the DC and Switching Characteristics section of this data sheet. After the POR signal is deactivated, the FPGA core logic becomes active. You must ensure that all  $V_{CCIO}$  banks are active with valid input logic levels to properly control the output logic states of all the I/O banks that are critical to the application. The default configuration of the I/O pins in a device prior to configuration is tri-stated with a weak pull-up to  $V_{CCIO}$ . The I/O pins maintain the pre-configuration state until  $V_{CC}$  and  $V_{CCIO\_2}$  reach the defined levels. The I/Os take on the software user-configured settings only after  $V_{CC\_SPI}$  reaches the level and the device performs a proper download/configuration. Unused I/Os are automatically blocked and the pull-up termination is disabled.

**Supported Standards**

The iCE40LM sysIO buffer supports all single-ended input and output standards. The buffer supports the LVCMOS 1.8, 2.5, and 3.3 V standards. The buffer has individually configurable options for bus maintenance (weak pull-up or none).

Table 2-7 and Table 2-8 show the I/O standards (together with their supply and reference voltages) supported by the iCE40LM devices.

**Table 2-7. Supported Input Standards**

| Input Standard                 | $V_{CCIO}$ (Typical) |       |       |
|--------------------------------|----------------------|-------|-------|
|                                | 3.3 V                | 2.5 V | 1.8 V |
| <b>Single-Ended Interfaces</b> |                      |       |       |
| LVC MOS33                      | Yes                  |       |       |
| LVC MOS25                      |                      | Yes   |       |
| LVC MOS18                      |                      |       | Yes   |

**Table 2-8. Supported Output Standards**

| Output Standard                | $V_{CCIO}$ (Typical) |
|--------------------------------|----------------------|
| <b>Single-Ended Interfaces</b> |                      |
| LVC MOS33                      | 3.3                  |
| LVC MOS25                      | 2.5                  |
| LVC MOS18                      | 1.8                  |

**On-Chip Strobe Generators**

The iCE40LM devices feature two different Strobe Generators. One is tailored for low-power operation (Low Power Strobe Generator – LPSG), and generates periodic strobes in the Microsecond ( $\mu$ s) ranges. The other is tailored for high speed operation (High Speed Strobe Generator – HSSG), and generates periodic strobes in the Nanosecond (ns) ranges. Add a paragraph:

The Strobe Generators (HSSG and LPSG) provide fixed periodic strobes, and these strobes can be used as a clock source. When used as a clock source, the HSSG can provide strobe frequency in the range of 5 MHz - 20 MHz. The LPSG can provide strobe frequency in the range of 4 kHz - 20 kHz.

For further information on how to use the LPSG and HSSG, please refer to TN1275, [iCE40LM On-Chip Strobe Generator Usage Guide](#).

## User I<sup>2</sup>C IP

The iCE40LM devices have two I<sup>2</sup>C IP cores. Either of the two cores can be configured either as an I<sup>2</sup>C master or as an I<sup>2</sup>C slave. Both I<sup>2</sup>C cores have preassigned pins, or user can select different pins, when the core is used.

When the IP core is configured as master, it will be able to control other devices on the I<sup>2</sup>C bus through the pre-assigned pin interface. When the core is configured as the slave, the device will be able to provide I/O expansion to an I<sup>2</sup>C Master. The I<sup>2</sup>C cores support the following functionality:

- Master and Slave operation
- 7-bit and 10-bit addressing
- Multi-master arbitration support
- Clock stretching
- Up to 400 kHz data transfer speed
- General Call support

For further information on the User I<sup>2</sup>C, please refer to TN1274, [iCE40 I2C and SPI Hardened IP Usage Guide](#).

## User SPI IP

The iCE40LM devices have two SPI IP cores. Both SPI cores have preassigned pins, or user can select different pins, when the SPI core is used. Both SPI IP core can be configured as a SPI master or as a slave. When the SPI IP core is configured as a master, it controls the other SPI enabled devices connected to the SPI Bus. When SPI IP core is configured as a slave, the device will be able to interface to an external SPI master.

The SPI IP core supports the following functions:

- Configurable Master and Slave modes
- Full-Duplex data transfer
- Mode fault error flag with CPU interrupt capability
- Double-buffered data register
- Serial clock with programmable polarity and phase
- LSB First or MSB First Data Transfer

For further information on the User SPI, please refer to TN1274, [iCE40 I2C and SPI Hardened IP Usage Guide](#).

## High Drive I/O Pins

The iCE40LM family devices offer 3 High Drive (HD) outputs in each device in the family. The HD outputs are ideal to drive LED signals on mobile application.

These HD outputs can be driven in different drive modes. The default is standard drive, which source/sink 8mA current nominally. When HD drive option is selected, these HD outputs can source/sink 24mA current nominally.

The pins on the HD I/Os are labeled with HD in it.

## Power On Reset

iCE40LM devices have power-on reset circuitry to monitor  $V_{CC}$ ,  $V_{CCIO_0}$ ,  $V_{CCIO_2}$  and  $V_{CC\_SPI}$  voltage levels during power-up and operation. At power-up, the POR circuitry monitors these voltage levels. It then triggers down-load from the external Flash memory after reaching the power-up levels specified in the Power-On-Reset Voltage table in the DC and Switching Characteristics section of this data sheet. Before and during configuration, the I/Os are held in tri-state. I/Os are released to user functionality once the device has finished configuration.

## iCE40LM Configuration

This section describes the programming and configuration of the iCE40LM family.

### Device Configuration

There are various ways to configure the Configuration RAM (CRAM) including:

- From a SPI Flash (Master SPI mode)
- System microprocessor to drive a Serial Slave SPI port (SSPI mode)

For more details on configuring the iCE40LM, please see TN1248, [iCE40 Programming and Configuration](#).

### Power Saving Options

The iCE40LM devices feature iCEGate and PLL low power mode to allow users to meet the static and dynamic power requirements of their applications. Table 2-9 describes the function of these features.

**Table 2-9. iCE40LM Power Saving Features Description**

| Device Subsystem | Feature Description   |
|------------------|---|
| PLL              | When LATCHINPUTVALUE is enabled, forces the PLL into low-power mode; PLL output held static at last input clock value.  |
| iCEGate          | To save power, the optional iCEGate latch can selectively freeze the state of individual, non-registered inputs within an I/O bank. Registered inputs are effectively frozen by their associated clock or clock-enable control. |

### Absolute Maximum Ratings<sup>1, 2, 3</sup>

|  |                  |
|--|------------------|
| Supply Voltage $V_{CC}$ .....                            | -0.5 V to 1.42 V |
| Output Supply Voltage $V_{CCIO}$ and $V_{CC\_SPI}$ ..... | -0.5 V to 3.60 V |
| PLL Power Supply, $V_{CCPLL}$ .....                      | -0.5 V to 1.3 V  |
| I/O Tri-state Voltage Applied. ....                      | -0.5 V to 3.60 V |
| Dedicated Input Voltage Applied .....                    | -0.5 V to 3.60 V |
| Storage Temperature (Ambient) .....                      | -65 °C to 150 °C |
| Junction Temperature ( $T_J$ ) .....                     | -55 °C to 125°C  |

1. Stress above those listed under the “Absolute Maximum Ratings” may cause permanent damage to the device. Functional operation of the device at these or any other conditions above those indicated in the operational sections of this specification is not implied.
2. Compliance with the Lattice [Thermal Management](#) document is required.
3. All voltages referenced to GND.

### Recommended Operating Conditions<sup>1</sup>

| Symbol                        | Parameter                                 | Min.                       | Max. | Units |   |
|-------------------------------|---|----------------------------|------|-------|---|
| $V_{CC}$ <sup>1</sup>         | Core Supply Voltage                       | 1.14                       | 1.26 | V     |   |
| $V_{CCIO}$ <sup>1, 2, 3</sup> | I/O Driver Supply Voltage                 | $V_{CCIO\_0}, V_{CCIO\_2}$ | 1.71 | 3.46  | V |
| $V_{CCPLL}$ <sup>4</sup>      | PLL Power Supply Voltage                  | 1.14                       | 1.26 | V     |   |
| $V_{CC\_SPI}$ <sup>5</sup>    | Config SPI port Power Supply Voltage      | 1.71                       | 3.46 | V     |   |
| $t_{JIND}$                    | Junction Temperature Industrial Operation | -40                        | 100  | °C    |   |

1. Like power supplies must be tied together.  $V_{CCIO\_0}$  to  $V_{CCIO\_2}$  if they are at same supply voltage and if they meet the power up sequence requirement. Please refer to [Power Up Sequence](#) section.  $V_{CC}$  and  $V_{CCPLL}$  are not recommended to be tied together. Please refer to TN1252, [ICE40 Hardware Checklist](#).
2. See recommended voltages by I/O standard in subsequent table.
3.  $V_{CCIO}$  pins of unused I/O banks should be connected to the  $V_{CC}$  power supply on boards.
4. For 25-pin WLCSP, PLL is not supported.
5. For 25-pin WLCSP,  $V_{CC\_SPI}$  is connected to  $V_{CCIO\_2}$  on the package. For all other packages,  $V_{CC\_SPI}$  is used to power the SPI1 ports in both configuration mode and user mode.

### Power Supply Ramp Rates<sup>1, 2</sup>

| Symbol     | Parameter                                       | Min. | Max. | Units |
|------------|---|------|------|-------|
| $t_{RAMP}$ | Power supply ramp rates for all power supplies. | 0.01 | 10   | V/ms  |

1. Assumes monotonic ramp rates.
2. Power up sequence must be followed. Please refer to [Power Up Sequence](#) section.

## Power-On-Reset Voltage Levels<sup>1</sup>

| Symbol             | Parameter   | Min.                                      | Max. | Units |   |
|--------------------|---|---|------|-------|---|
| V <sub>PORUP</sub> | Power-On-Reset ramp-up trip point (circuit monitoring V <sub>CC</sub> , V <sub>CCIO_2</sub> and V <sub>CC_SPI</sub> )   | V <sub>CC</sub>                           | 0.67 | 0.99  | V |
|                    |   | V <sub>CCIO_2</sub> , V <sub>CC_SPI</sub> | 0.70 | 1.59  | V |
| V <sub>PORDN</sub> | Power-On-Reset ramp-down trip point (circuit monitoring V <sub>CC</sub> , V <sub>CCIO_2</sub> and V <sub>CC_SPI</sub> ) | V <sub>CC</sub>                           | —    | 0.66  | V |
|                    |   | V <sub>CCIO_2</sub> , V <sub>CC_SPI</sub> | —    | 1.59  | V |

1. These POR trip points are only provided for guidance. Device operation is only characterized for power supply voltages specified under recommended operating conditions.

## Power Up Sequence

For all iCE40LM devices, it is required to have the V<sub>CC</sub>/V<sub>CCPLL</sub> power supply powered up before all other power supplies. The V<sub>CC</sub>/V<sub>CCPLL</sub> has to be higher than 0.5 V before other supplies are powered from GND.

In addition, for all iCE40LM devices, it is required that V<sub>CCSPI</sub> not be the last power supply to ramp up. The V<sub>CCSPI</sub> has to be higher than 0.5 V before the last supply is ramped.

In the required power up sequence, V<sub>CC</sub>/V<sub>CCPLL</sub> should be ramped first. Following V<sub>CC</sub>/V<sub>CCPLL</sub>, V<sub>CCSPI</sub> should be ramped next, followed by the remaining supplies. On the 25-pin WLCSP, V<sub>CCPLL</sub> is connected to V<sub>CC</sub>, and is powered up together with V<sub>CC</sub>. On the 25-pin WLCSP and 36-pin caBGA, V<sub>CCIO\_2</sub> is connected to V<sub>CC\_SPI</sub>, and should be powered up right after V<sub>CC</sub>/V<sub>CCPLL</sub> with V<sub>CCSPI</sub>. Due to this connection, V<sub>CCIO\_0</sub> cannot connect to V<sub>CCIO\_2</sub> even if they are at the same supply voltage. The sequence is defined below:

- For 49-pin caBGA: V<sub>CC</sub>, V<sub>CCPLL</sub>, V<sub>CC\_SPI</sub>, V<sub>CCIO\_0</sub> and V<sub>CCIO\_2</sub>; Order of V<sub>CCIO\_0</sub> and V<sub>CCIO\_2</sub> is not important.
- For 36-pin caBGA: V<sub>CC</sub>, V<sub>CCPLL</sub>, V<sub>CC\_SPI</sub>/V<sub>CCIO\_2</sub>, V<sub>CCIO\_0</sub>
- For 25-pin WLCSP: V<sub>CC</sub>/V<sub>CCPLL</sub>, V<sub>CC\_SPI</sub>/V<sub>CCIO\_2</sub>, V<sub>CCIO\_0</sub>

There is no power down sequence required. However, when partial power supplies are powered down, it is required that the above sequence is followed when these supplies are powered up again.

## ESD Performance

Please contact Lattice Semiconductor for additional information.

## DC Electrical Characteristics

### Over Recommended Operating Conditions

| Symbol   | Parameter                                    | Condition   | Min. | Typ. | Max.  | Units |
|--|--|---|------|------|-------|-------|
| I <sub>IL</sub> , I <sub>IH</sub> <sup>1,3,4</sup> | Input or I/O Leakage                         | 0V < V <sub>IN</sub> < V <sub>CCIO</sub> + 0.2 V  | —    | —    | +/-10 | μA    |
| C <sub>1</sub>                                     | I/O Capacitance <sup>2</sup>                 | V <sub>CCIO</sub> = 3.3 V, 2.5 V, 1.8 V<br>V <sub>CC</sub> = Typ., V <sub>IO</sub> = 0 to V <sub>CCIO</sub> + 0.2 V | —    | 6    | —     | pf    |
| C <sub>2</sub>                                     | Global Input Buffer Capacitance <sup>2</sup> | V <sub>CCIO</sub> = 3.3 V, 2.5 V, 1.8 V<br>V <sub>CC</sub> = Typ., V <sub>IO</sub> = 0 to V <sub>CCIO</sub> + 0.2 V | —    | 6    | —     | pf    |
| V <sub>HYST</sub>                                  | Input Hysteresis                             | V <sub>CCIO</sub> = 1.8 V, 2.5 V, 3.3 V   | —    | 200  | —     | mV    |
| I <sub>PU</sub>                                    | Internal PIO Pull-up Current                 | V <sub>CCIO</sub> = 1.8 V, 0=<V <sub>IN</sub> <=0.65 V <sub>CCIO</sub>  | -3   | —    | -31   | μA    |
|  |  | V <sub>CCIO</sub> = 2.5 V, 0=<V <sub>IN</sub> <=0.65 V <sub>CCIO</sub>  | -8   | —    | -72   | μA    |
|  |  | V <sub>CCIO</sub> = 3.3 V, 0=<V <sub>IN</sub> <=0.65 V <sub>CCIO</sub>  | -11  | —    | -128  | μA    |

1. Input or I/O leakage current is measured with the pin configured as an input or as an I/O with the output driver tri-stated. It is not measured with the output driver active. Internal pull-up resistors are disabled.

2. T<sub>J</sub> 25 °C, f = 1.0 MHz.

3. Please refer to V<sub>IL</sub> and V<sub>IH</sub> in the sysIO Single-Ended DC Electrical Characteristics table of this document.

4. Some products are clamped to a diode when V<sub>IN</sub> is larger than V<sub>CCIO</sub>.



## Supply Current <sup>1, 2, 3, 4</sup>

| Symbol  | Parameter   | Typ. VCC <sup>4</sup> | Units |
|---|---|-----------------------|-------|
| I <sub>CCSTDBY</sub>                              | Core Power Supply Static Current  | 100                   | uA    |
| I <sub>CCPLLSTDBY</sub>                           | PLL Power Supply Static Current   | 11                    | uA    |
| I <sub>CCIOSTDBY</sub> , I <sub>CC_SPISTDBY</sub> | V <sub>CCIO</sub> , V <sub>CC_SPI</sub> Power Supply Static Current       | 2.5                   | uA    |
| I <sub>CCPEAK</sub>                               | Core Power Supply Startup Peak Current                                    | 11.2                  | mA    |
| I <sub>CCPLLPEAK</sub>                            | PLL Power Supply Startup Peak Current                                     | 2.8                   | mA    |
| I <sub>CCIOPEAK</sub> , I <sub>CC_SPIPEAK</sub>   | V <sub>CCIO</sub> , V <sub>CC_SPI</sub> Power Supply Startup Peak Current | 21.4                  | mA    |

- Assumes blank pattern with the following characteristics: all outputs are tri-stated, all inputs are configured as LVCMOS and held at V<sub>CCIO</sub> or GND, on-chip PLL is off. For more detail with your specific design, use the Power Calculator tool. Power specified with master SPI configuration mode. Other modes may be up to 25% higher.
- Frequency = 0 MHz.
- T<sub>J</sub> = 25 °C, power supplies at nominal voltage.
- Does not include pull-up.
- For 25-pin WLCSF, V<sub>CCPLL</sub> is tied internally on the package, and V<sub>CC\_SPI</sub> is also connected to V<sub>CCIO\_2</sub> on the package.

## User I<sup>2</sup>C Specifications

| Parameter Symbol    | Parameter Description                | spec (STD Mode) |     |     | spec (FAST Mode) |     |     | Units |
|---------------------|--------------------------------------|-----------------|-----|-----|------------------|-----|-----|-------|
|                     |                                      | Min             | Typ | Max | Min              | Typ | Max |       |
| f <sub>SCL</sub>    | Maximum SCL clock frequency          | —               | —   | 100 | —                | —   | 400 | kHz   |
| t <sub>HI</sub>     | SCL clock HIGH Time                  | 4               | —   | —   | 0.6              | —   | —   | μs    |
| t <sub>LO</sub>     | SCL clock LOW Time                   | 4.7             | —   | —   | 1.3              | —   | —   | μs    |
| t <sub>SU,DAT</sub> | Setup time (DATA)                    | 250             | —   | —   | 100              | —   | —   | ns    |
| t <sub>HD,DAT</sub> | Hold time (DATA)                     | 0               | —   | —   | 0                | —   | —   | ns    |
| t <sub>SU,STA</sub> | Setup time (START condition)         | 4.7             | —   | —   | 0.6              | —   | —   | μs    |
| t <sub>HD,STA</sub> | Hold time (START condition)          | 4               | —   | —   | 0.6              | —   | —   | μs    |
| t <sub>SU,STO</sub> | Setup time (STOP condition)          | 4               | —   | —   | 0.6              | —   | —   | μs    |
| t <sub>BUF</sub>    | Bus free time between STOP and START | 4.7             | —   | —   | 1.3              | —   | —   | μs    |
| t <sub>CO,DAT</sub> | SCL LOW to DATAOUT valid             | —               | —   | 3.4 | —                | —   | 0.9 | μs    |

## User SPI Specifications

| Parameter Symbol        | Parameter Description       | Min | Typ | Max  | Units |
|-------------------------|-----------------------------|-----|-----|------|-------|
| f <sub>MAX</sub>        | Maximum SCK clock frequency | —   | —   | 45   | MHz   |
| t <sub>HI</sub>         | HIGH period of SCK clock    | 9   | —   | —    | ns    |
| t <sub>LO</sub>         | LOW period of SCK clock     | 9   | —   | —    | ns    |
| t <sub>SUmaster</sub>   | Setup time (master mode)    | 2   | —   | —    | ns    |
| t <sub>HOLDmaster</sub> | Hold time (master mode)     | 5   | —   | —    | ns    |
| t <sub>SUslave</sub>    | Setup time (slave mode)     | 2   | —   | —    | ns    |
| t <sub>HOLDslave</sub>  | Hold time (slave mode)      | 5   | —   | —    | ns    |
| t <sub>SCK2OUT</sub>    | SCK to out (slave mode)     | —   | —   | 13.5 | ns    |

## sysIO Recommended Operating Conditions

| Standard    | V <sub>CCIO</sub> (V) |      |      |
|-------------|-----------------------|------|------|
|             | Min.                  | Typ. | Max. |
| LVC MOS 3.3 | 3.14                  | 3.3  | 3.46 |
| LVC MOS 2.5 | 2.37                  | 2.5  | 2.62 |
| LVC MOS 1.8 | 1.71                  | 1.8  | 1.89 |

## sysIO Single-Ended DC Electrical Characteristics

| Input/<br>Output<br>Standard | V <sub>IL</sub> |                       | V <sub>IH</sub> <sup>1</sup> |                          | V <sub>OL</sub> Max.<br>(V) | V <sub>OH</sub> Min.<br>(V) | I <sub>OL</sub> Max.<br>(mA) | I <sub>OH</sub> Max.<br>(mA) |
|------------------------------|-----------------|-----------------------|------------------------------|--------------------------|-----------------------------|-----------------------------|------------------------------|------------------------------|
|                              | Min. (V)        | Max. (V)              | Min. (V)                     | Max. (V)                 |                             |                             |                              |                              |
| LVC MOS 3.3                  | -0.3            | 0.8                   | 2.0                          | V <sub>CCIO</sub> + 0.2V | 0.4                         | V <sub>CCIO</sub> - 0.4     | 8                            | -8                           |
|                              |                 |                       |                              |                          | 0.2                         | V <sub>CCIO</sub> - 0.2     | 0.1                          | -0.1                         |
| LVC MOS 2.5                  | -0.3            | 0.7                   | 1.7                          | V <sub>CCIO</sub> + 0.2V | 0.4                         | V <sub>CCIO</sub> - 0.4     | 6                            | -6                           |
|                              |                 |                       |                              |                          | 0.2                         | V <sub>CCIO</sub> - 0.2     | 0.1                          | -0.1                         |
| LVC MOS 1.8                  | -0.3            | 0.35V <sub>CCIO</sub> | 0.65V <sub>CCIO</sub>        | V <sub>CCIO</sub> + 0.2V | 0.4                         | V <sub>CCIO</sub> - 0.4     | 4                            | -4                           |
|                              |                 |                       |                              |                          | 0.2                         | V <sub>CCIO</sub> - 0.2     | 0.1                          | -0.1                         |

1. Some products are clamped to a diode when V<sub>IN</sub> is larger than V<sub>CCIO</sub>.

## Typical Building Block Function Performance<sup>1,2</sup>

### Pin-to-Pin Performance (LVC MOS25)

| Function               | Timing | Units |
|------------------------|--------|-------|
| <b>Basic Functions</b> |        |       |
| 16-bit decoder         | 16.5   | ns    |
| 4:1 MUX                | 18.0   | ns    |
| 16:1 MUX               | 19.5   | ns    |

### Register-to-Register Performance

| Function                         | Timing | Units |
|----------------------------------|--------|-------|
| <b>Basic Functions</b>           |        |       |
| 16:1 MUX                         | 110    | MHz   |
| 16-bit adder                     | 100    | MHz   |
| 16-bit counter                   | 100    | MHz   |
| 64-bit counter                   | 40     | MHz   |
| <b>Embedded Memory Functions</b> |        |       |
| 256x16 Pseudo-Dual Port RAM      | 150    | MHz   |

1. The above timing numbers are generated using the iCECube2 design tool. Exact performance may vary with device and tool version. The tool uses internal parameters that have been characterized but are not tested on every device.

2. Using a V<sub>CC</sub> of 1.14 V at Junction Temp 85 °C.

## Derating Logic Timing

Logic timing provided in the following sections of the data sheet and the Lattice design tools are worst case numbers in the operating range. Actual delays may be much faster. Lattice design tools can provide logic timing numbers at a particular temperature and voltage.

### Maximum sysIO Buffer Performance<sup>1</sup>

| I/O Standard   | Max. Speed | Units |
|----------------|------------|-------|
| <b>Inputs</b>  |            |       |
| LVC MOS33      | 250        | MHz   |
| LVC MOS25      | 250        | MHz   |
| LVC MOS18      | 250        | MHz   |
| <b>Outputs</b> |            |       |
| LVC MOS33      | 250        | MHz   |
| LVC MOS25      | 250        | MHz   |
| LVC MOS18      | 155        | MHz   |

1. Measured with a toggling pattern.

## iCE40LM Family Timing Adders

Over Recommended Commercial Operating Conditions<sup>1, 2, 3</sup>

| Buffer Type             | Description                        | Timing (Typ.) | Units |
|-------------------------|------------------------------------|---------------|-------|
| <b>Input Adjusters</b>  |                                    |               |       |
| LVC MOS33               | LVC MOS, $V_{CCIO} = 3.3\text{ V}$ | 0.18          | nS    |
| LVC MOS25               | LVC MOS, $V_{CCIO} = 2.5\text{ V}$ | 0.00          | nS    |
| LVC MOS18               | LVC MOS, $V_{CCIO} = 1.8\text{ V}$ | 0.19          | nS    |
| <b>Output Adjusters</b> |                                    |               |       |
| LVC MOS33               | LVC MOS, $V_{CCIO} = 3.3\text{ V}$ | -0.12         | nS    |
| LVC MOS25               | LVC MOS, $V_{CCIO} = 2.5\text{ V}$ | 0.00          | nS    |
| LVC MOS18               | LVC MOS, $V_{CCIO} = 1.8\text{ V}$ | 1.32          | nS    |

1. Timing adders are relative to LVC MOS25 and characterized but not tested on every device.

2. LVC MOS timing measured with the load specified in Switching Test Condition table.

3. Commercial timing numbers are shown.

## iCE40LM External Switching Characteristics

Over Recommended Commercial Operating Conditions

| Parameter   | Description                                       | Device      |       |      | Units |
|---|---|-------------|-------|------|-------|
| <b>Clocks</b>   |   |             |       |      |       |
| <b>Global Clocks</b>  |   |             |       |      |       |
| $f_{MAX\_GBUF}$   | Frequency for Global Buffer Clock network         | All devices |       | 185  | MHz   |
| $t_{W\_GBUF}$   | Clock Pulse Width for Global Buffer               | All devices | 2     | —    | ns    |
| $t_{SKEW\_GBUF}$  | Global Buffer Clock Skew Within a Device          | All devices | —     | 650  | ps    |
| <b>Pin-LUT-Pin Propagation Delay</b>  |   |             |       |      |       |
| $t_{PD}$  | Best case propagation delay through one LUT logic | All devices | —     | 9.1  | ns    |
| <b>General I/O Pin Parameters (Using Global Buffer Clock without PLL)<sup>1</sup></b> |   |             |       |      |       |
| $t_{SKEW\_IO}$  | Data bus skew across a bank of IOs                | All devices | —     | 450  | ps    |
| $t_{CO}$  | Clock to Output - PIO Output Register             | All devices | —     | 11.5 | ns    |
| $t_{SU}$  | Clock to Data Setup - PIO Input Register          | All devices | -0.23 | —    | ns    |
| $t_{H}$   | Clock to Data Hold - PIO Input Register           | All devices | 5.55  | —    | ns    |
| 1. 25-pin WLCSP package does not support PLL.   |   |             |       |      |       |

## sysCLOCK PLL Timing – Preliminary

### Over Recommended Operating Conditions

| Parameter                 | Descriptions                                      | Conditions             | Min. | Max.  | Units      |
|---------------------------|---|------------------------|------|-------|------------|
| $f_{IN}$                  | Input Clock Frequency (REFERENCECLK, EXTFEEDBACK) |                        | 10   | 133   | MHz        |
| $f_{OUT}$                 | Output Clock Frequency (PLLOUT)                   |                        | 16   | 275   | MHz        |
| $f_{VCO}$                 | PLL VCO Frequency                                 |                        | 533  | 1066  | MHz        |
| $f_{PFD}$                 | Phase Detector Input Frequency                    |                        | 10   | 133   | MHz        |
| <b>AC Characteristics</b> |   |                        |      |       |            |
| $t_{DT}$                  | Output Clock Duty Cycle                           |                        | 40   | 60    | %          |
| $t_{PH}$                  | Output Phase Accuracy                             |                        | —    | +/-12 | deg        |
| $t_{OPJIT}^{1,5,6}$       | Output Clock Period Jitter                        | $f_{OUT} \leq 100$ MHz | —    | 450   | ps p-p     |
|                           |   | $f_{OUT} > 100$ MHz    | —    | 0.5   | UIPP       |
|                           | Output Clock Cycle-to-cycle Jitter                | $f_{OUT} \leq 100$ MHz | —    | 750   | ps p-p     |
|                           |   | $f_{OUT} > 100$ MHz    | —    | 0.10  | UIPP       |
|                           | Output Clock Phase Jitter                         | $f_{PFD} \leq 25$ MHz  | —    | 275   | ps p-p     |
|                           |   | $f_{PFD} > 25$ MHz     | —    | 0.05  | UIPP       |
| $t_W$                     | Output Clock Pulse Width                          | At 90% or 10%          | 1.33 | —     | ns         |
| $t_{LOCK}^{2,3}$          | PLL Lock-in Time                                  |                        | —    | 50    | us         |
| $t_{UNLOCK}$              | PLL Unlock Time                                   |                        | —    | 50    | ns         |
| $t_{IPJIT}^4$             | Input Clock Period Jitter                         | $f_{PFD} \geq 20$ MHz  | —    | 1000  | ps p-p     |
|                           |   | $f_{PFD} < 20$ MHz     | —    | 0.02  | UIPP       |
| $t_{FDTAP}$               | Fine Delay adjustment, per Tap                    |                        | 98   | 226   | ps         |
| $t_{STABLE}^3$            | LATCHINPUTVALUE LOW to PLL Stable                 |                        | —    | 500   | ns         |
| $t_{STABLE\_PW}^3$        | LATCHINPUTVALUE Pulse Width                       |                        | 100  | —     | ns         |
| $t_{RST}$                 | RESET Pulse Width                                 |                        | 10   | —     | ns         |
| $t_{RSTREC}$              | RESET Recovery Time                               |                        | 10   | —     | us         |
| $t_{DYNAMIC\_WD}$         | DYNAMICDELAY Pulse Width                          |                        | 100  | —     | VCO Cycles |

1. Period jitter sample is taken over 10,000 samples of the primary PLL output with a clean reference clock. Cycle-to-cycle jitter is taken over 1000 cycles. Phase jitter is taken over 2000 cycles. All values per JESD65B.
2. Output clock is valid after  $t_{LOCK}$  for PLL reset and dynamic delay adjustment.
3. At minimum  $f_{PFD}$ . As the  $f_{PFD}$  increases the time will decrease to approximately 60% the value listed.
4. Maximum limit to prevent PLL unlock from occurring. Does not imply the PLL will operate within the output specifications listed in this table.
5. The jitter values will increase with loading of the PLD fabric and in the presence of SSO noise.
6. PLL jitter and lock time measurements are based on an external clean clock source. With different clock source, these values may be different.

## SPI Master Configuration Time<sup>1</sup>

| Symbol              | Parameter                         | Conditions                            | Max. | Units |
|---------------------|-----------------------------------|---------------------------------------|------|-------|
| t <sub>CONFIG</sub> | POR/CRESET_B to Device I/O Active | All devices - Low Frequency (Default) | 95   | ms    |
|                     |                                   | All devices - Medium frequency        | 35   | ms    |
|                     |                                   | All devices - High frequency          | 18   | ms    |

1. Assumes sysMEM Block is initialized to an all zero pattern if they are used.

## sysCONFIG Port Timing Specifications

| Symbol                         | Parameter  | Conditions              | Min. | Typ. | Max. | Units  |
|--------------------------------|--|-------------------------|------|------|------|--------|
| <b>All Configuration Modes</b> |  |                         |      |      |      |        |
| t <sub>CRESET_B</sub>          | Minimum CRESET_B LOW pulse width required to restart configuration, from falling edge to rising edge   |                         | 200  | —    | —    | ns     |
| t <sub>DONE_IO</sub>           | Number of configuration clock cycles after CDONE goes HIGH before the PIO pins are activated   |                         | 49   | —    | —    | Cycles |
| <b>Slave SPI</b>               |  |                         |      |      |      |        |
| t <sub>CR_SCK</sub>            | Minimum time from a rising edge on CRESET_B until the first SPI WRITE operation, first SPI_XCK clock. During this time, the iCE40LM device is clearing its internal configuration memory |                         | 1200 | —    | —    | μs     |
| f <sub>MAX</sub>               | CCLK clock frequency   | Write                   | 1    | —    | 25   | MHz    |
|                                |  | Read <sup>1</sup>       | —    | 15   | —    | MHz    |
| t <sub>CCLKH</sub>             | CCLK clock pulsewidth HIGH   |                         | 20   | —    | —    | ns     |
| t <sub>CCLKL</sub>             | CCLK clock pulsewidth LOW  |                         | 20   | —    | —    | ns     |
| t <sub>STSU</sub>              | CCLK setup time  |                         | 12   | —    | —    | ns     |
| t <sub>STH</sub>               | CCLK hold time   |                         | 12   | —    | —    | ns     |
| t <sub>STCO</sub>              | CCLK falling edge to valid output  |                         | 13   | —    | —    | ns     |
| <b>Master SPI</b>              |  |                         |      |      |      |        |
| f <sub>MCLK</sub>              | MCLK clock frequency   | Low Frequency (Default) | 6.5  |      | 13   | MHz    |
|                                |  | Medium Frequency        | 19.5 |      | 38   | MHz    |
|                                |  | High Frequency          | 33   |      | 66   | MHz    |
| t <sub>MCLK</sub>              | CRESET_B HIGH to first MCLK edge   |                         | 1200 | —    | —    | μs     |

1. Supported with 1.2 V Vcc and at 25 °C.

## Switching Test Conditions

Figure 3-1 shows the output test load used for AC testing. The specific values for resistance, capacitance, voltage, and other test conditions are shown in Table 3-1.

**Figure 3-1. Output Test Load, LVCMOS Standards**



**Table 3-1. Test Fixture Required Components, Non-Terminated Interfaces**

| Test Condition                   | R <sub>1</sub> | C <sub>L</sub> | Timing Reference                  | V <sub>T</sub>  |
|----------------------------------|----------------|----------------|-----------------------------------|-----------------|
| LVCMOS settings (L -> H, H -> L) | ∞              | 0 pF           | LVCMOS 3.3 = 1.5 V                | —               |
|                                  |                |                | LVCMOS 2.5 = V <sub>CCIO</sub> /2 | —               |
|                                  |                |                | LVCMOS 1.8 = V <sub>CCIO</sub> /2 | —               |
| LVCMOS 3.3 (Z -> H)              | 188            | 0 pF           | 1.5                               | V <sub>OL</sub> |
| LVCMOS 3.3 (Z -> L)              |                |                | 1.5                               | V <sub>OH</sub> |
| Other LVCMOS (Z -> H)            |                |                | V <sub>CCIO</sub> /2              | V <sub>OL</sub> |
| Other LVCMOS (Z -> L)            |                |                | V <sub>CCIO</sub> /2              | V <sub>OH</sub> |
| LVCMOS (H -> Z)                  |                |                | V <sub>OH</sub> - 0.15            | V <sub>OL</sub> |
| LVCMOS (L -> Z)                  |                |                | V <sub>OL</sub> - 0.15            | V <sub>OH</sub> |

Note: Output test conditions for all other interfaces are determined by the respective standards.

### Signal Descriptions

| Signal Name                            | Function      | I/O    | Description  |
|--|---------------|--------|--|
| <b>Power Supplies</b>                  |               |        |  |
| V <sub>CC</sub>                        | Power         | —      | Core Power Supply  |
| V <sub>CCIO_0</sub>                    | Power         | —      | Power Supply for I/Os in Bank 0  |
| V <sub>CCIO_2</sub>                    | Power         | —      | Power Supply for I/Os in Bank 2  |
| V <sub>CC_SPI</sub>                    | Power         | —      | Power supply for SPI1 ports. For 25-pin WLCSP, this signal is connected to V <sub>CCIO_2</sub>   |
| V <sub>CCPLL</sub>                     | Power         | —      | Power supply for PLL. For 25-pin WLCSP, this is connected internally to V <sub>CC</sub>  |
| GND/GNDPLL                             | GROUND        | —      | Ground   |
| <b>Dedicated Configuration Signals</b> |               |        |  |
| CRESETB                                | Configuration | I      | Configuration Reset, active LOW. No internal pull-up resistor. Either actively driven externally or connect an 10K-ohm pull-up resistor to V <sub>CCIO_2</sub> .   |
| CDONE                                  | Configuration | I/O    | Configuration Done. Includes a weak pull-up resistor to V <sub>CCIO_2</sub> .  |
| <b>SPI and Config SPI Ports</b>        |               |        |  |
| SPI1_SCK/PIO[T/B]_x[HD]                | User SPI1     | I/O    | In user mode, used as CLK signal on SPI interface for sensor management function.  |
|  | Configuration | I/O    | This pin is shared with device configuration. During configuration:<br>In Master SPI mode: This pin outputs the clock to external SPI memory.<br>In Slave SPI mode: This pin inputs the clock from external processor.                         |
|  | General I/O   | I/O    | In user mode, when the SPI interface is not used, user can program this pin as general I/O pin for user functions. (x represents ball on the package)<br>[T/B]: T=V <sub>ccio_0</sub> bank, B=V <sub>ccio_2</sub> bank.<br>[HD]=High Drive I/O |
| SPI1_MISO/SDO/IO[T/B]_x[HD]            | User SPI1     | I/O    | In user mode, used as Input (Master Mode) or Output (Slave Mode) signal on SPI interface for sensor management function.   |
|  | Configuration | Output | This pin is shared with device configuration. During configuration:<br>In Master SPI mode: This pin outputs the command data to external SPI memory.<br>In Slave SPI mode: This pin connects to the MISO pin of the external processor.        |
|  | General I/O   | I/O    | In user mode, when the SPI interface is not used, user can program this pin as general I/O pin for user functions. (x represents ball on the package)<br>[T/B]: T=V <sub>ccio_0</sub> bank, B=V <sub>ccio_2</sub> bank.<br>[HD]=High Drive I/O |



| Signal Name                  | Function      | I/O   | Description  |
|------------------------------|---------------|-------|--|
| SPI1_MOSI/SDI/PIO[T/B]_x[HD] | User SPI1     | I/O   | In user mode, used as Output (Master Mode) or Input (Slave Mode) signal on SPI interface for sensor management function.   |
|                              | Configuration | Input | This pin is shared with device configuration. During configuration:<br>In Master SPI mode: This pin receives data from the external SPI memory.<br>In Slave SPI mode: This pin connects to the MOSI pin of the external processor. |
|                              | General I/O   | I/O   | In user mode, when the SPI interface is not used, user can program this pin as general I/O pin for user functions. (x represents ball on the package)<br>[T/B]: T=Vccio_0 bank, B=Vccio_2 bank.<br>[HD]=High Drive I/O             |
| SPI1_CSN/PIO[T/B]_x[HD]      | User SPI1     | I/O   | In user mode, used as CSN signal on SPI interface for sensor management function. This pin is output pin in Master Mode, and input in in Slave Mode.   |
|                              | Configuration | I/O   | This pin is shared with device configuration. During configuration:<br>In Master SPI mode: This pin outputs to the external SPI memory.<br>In Slave SPI mode: This pin inputs CSN from the external processor.                     |
|                              | General I/O   | I/O   | In user mode, when the SPI interface is not used, user can program this pin as general I/O pin for user functions. (x represents ball on the package)<br>[T/B]: T=Vccio_0 bank, B=Vccio_2 bank.<br>[HD]=High Drive I/O             |
| SPI2_SCK/PIO[T/B]_x[HD]      | User SPI2     | I/O   | In user mode, used as CLK signal on SPI interface for sensor management function.  |
|                              | General I/O   | I/O   | In user mode, when the SPI interface is not used, user can program this pin as general I/O pin for user functions. (x represents ball on the package)<br>[T/B]: T=Vccio_0 bank, B=Vccio_2 bank.<br>[HD]=High Drive I/O             |
| SPI2_MISO/PIO[T/B]_x[HD]     | User SPI2     | I/O   | In user mode, used as Input (Master Mode) or Output (Slave Mode) signal on SPI interface for sensor management function.   |
|                              | General I/O   | I/O   | In user mode, when the SPI interface is not used, user can program this pin as general I/O pin for user functions. (x represents ball on the package)<br>[T/B]: T=Vccio_0 bank, B=Vccio_2 bank.<br>[HD]=High Drive I/O             |
| SPI2_MOSI/PIO[T/B]_x[HD]     | User SPI2     | I/O   | In user mode, used as Output (Master Mode) or Input (Slave Mode) signal on SPI interface for sensor management function.   |
|                              | General I/O   | I/O   | In user mode, when the SPI interface is not used, user can program this pin as general I/O pin for user functions. (x represents ball on the package)<br>[T/B]: T=Vccio_0 bank, B=Vccio_2 bank.<br>[HD]=High Drive I/O             |

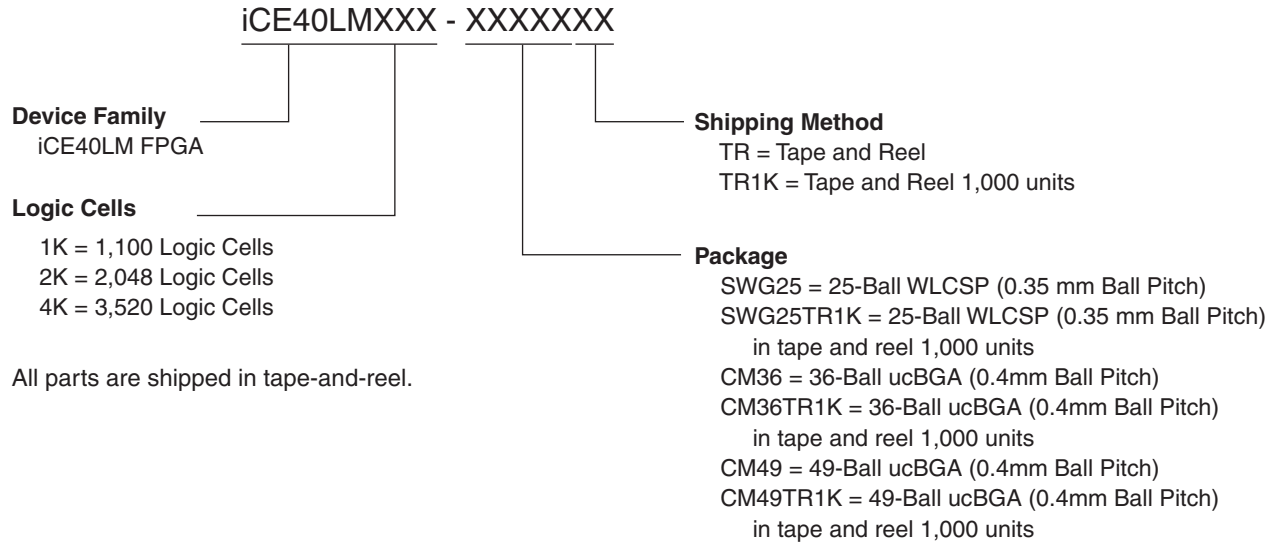
| Signal Name                 | Function      | I/O | Description  |
|-----------------------------|---------------|-----|--|
| SPI2_CSN/PIO[T/B]_x[HD]     | User SPI2     | I/O | In user mode, used as CSN signal on SPI interface for sensor management function. This pin is output pin in Master Mode, and input in in Slave Mode.   |
|                             | General I/O   | I/O | In user mode, when the SPI interface is not used, user can program this pin as general I/O pin for user functions. (x represents ball on the package)<br>[T/B]: T=Vccio_0 bank, B=Vccio_2 bank.<br>[HD]=High Drive I/O |
| <b>I<sup>2</sup>C Ports</b> |               |     |  |
| I2C1_SCL/PIO[T/B]_x[HD]     | User I2C1     | I/O | Used as CLK signal on I <sup>2</sup> C interface for sensor management function.   |
|                             | General I/O   | I/O | When the I <sup>2</sup> C interface is not used, user can program this pin as general I/O pin for user functions. (x represents ball on the package)<br>[T/B]: T=Vccio_0 bank, B=Vccio_2 bank.<br>[HD]=High Drive I/O  |
| I2C1_SDA/PIO[T/B]_x[HD]     | User I2C1     | I/O | Used as Data signal on I <sup>2</sup> C interface for sensor management function.  |
|                             | General I/O   | I/O | When the I <sup>2</sup> C interface is not used, user can program this pin as general I/O pin for user functions. (x represents ball on the package)<br>[T/B]: T=Vccio_0 bank, B=Vccio_2 bank.<br>[HD]=High Drive I/O  |
| I2C2_SCL/PIO[T/B]_x[HD]     | User I2C2     | I/O | Used as CLK signal on I <sup>2</sup> C interface for sensor management function.   |
|                             | General I/O   | I/O | When the I <sup>2</sup> C interface is not used, user can program this pin as general I/O pin for user functions. (x represents ball on the package)<br>[T/B]: T=Vccio_0 bank, B=Vccio_2 bank.<br>[HD]=High Drive I/O  |
| I2C2_SDA/PIO[T/B]_x[HD]     | User I2C2     | I/O | Used as Data signal on I <sup>2</sup> C interface for sensor management function.  |
|                             | General I/O   | I/O | When the I <sup>2</sup> C interface is not used, user can program this pin as general I/O pin for user functions. (x represents ball on the package)<br>[T/B]: T=Vccio_0 bank, B=Vccio_2 bank.<br>[HD]=High Drive I/O  |
| <b>Global Signals</b>       |               |     |  |
| PIO[T/B]_x[HD]/Gn           | General I/O   | I/O | User can program this pin as general I/O pin for user functions. (x represents ball on the package)<br>[T/B]: T=Vccio_0 bank, B=Vccio_2 bank.<br>[HD]=High Drive I/O   |
|                             | Global Signal | I   | Global input used for high fanout, or clock/reset net. n=0,1,2,3,6,7. The Gn Global input pin can drive the corresponding GBUF <sub>n</sub> global buffer.   |
| <b>General Purpose I/O</b>  |               |     |  |
| PIO[T/B]_x[HD]              | General I/O   | I/O | User can program this pin as general I/O pin for user functions. (x represents ball on the package)  |

## Pin Information Summary

| Pin Type                     |                     | iCE40LM-1K |      |      | iCE40LM-2K |      |      | iCE40LM-4K |      |      |
|------------------------------|---------------------|------------|------|------|------------|------|------|------------|------|------|
|                              |                     | SWG25      | CM36 | CM49 | SWG25      | CM36 | CM49 | SWG25      | CM36 | CM49 |
| General Purpose I/O Per Bank | Bank 0              | 7          | 15   | 20   | 7          | 15   | 20   | 7          | 15   | 20   |
|                              | Bank 2 <sup>1</sup> | 11         | 13   | 17   | 11         | 13   | 17   | 11         | 13   | 17   |
| Total General Purpose I/Os   |                     | 18         | 28   | 37   | 18         | 28   | 37   | 18         | 28   | 37   |
| Vcc                          |                     | 1          | 1    | 2    | 1          | 1    | 2    | 1          | 1    | 2    |
| Vccio                        | Bank 0              | 1          | 1    | 1    | 1          | 1    | 1    | 1          | 1    | 1    |
|                              | Bank 2              | 1          | 1    | 1    | 1          | 1    | 1    | 1          | 1    | 1    |
| V <sub>CC_SPI</sub>          |                     | 0          | 0    | 1    | 0          | 0    | 1    | 0          | 0    | 1    |
| V <sub>CCPLL</sub>           |                     | 0          | 1    | 1    | 0          | 1    | 1    | 0          | 1    | 1    |
| Miscellaneous Dedicated Pins |                     | 2          | 2    | 2    | 2          | 2    | 2    | 2          | 2    | 2    |
| GND                          |                     | 2          | 2    | 4    | 2          | 2    | 4    | 2          | 2    | 4    |
| NC                           |                     | 0          | 0    | 0    | 0          | 0    | 0    | 0          | 0    | 0    |
| Reserved                     |                     | 0          | 0    | 0    | 0          | 0    | 0    | 0          | 0    | 0    |
| Total Balls                  |                     | 25         | 36   | 49   | 25         | 36   | 49   | 25         | 36   | 49   |
| SPI Interfaces               | Bank 0              | 0          | 0    | 0    | 0          | 0    | 0    | 0          | 0    | 0    |
|                              | Bank 2              | 1          | 1    | 1    | 2          | 2    | 2    | 2          | 2    | 2    |
| I <sup>2</sup> C Interfaces  | Bank 0              | 1          | 1    | 1    | 2          | 2    | 2    | 2          | 2    | 2    |
|                              | Bank 2              | 0          | 0    | 0    | 0          | 0    | 0    | 0          | 0    | 0    |

1. Including General Purpose I/Os powered by V<sub>CC\_SPI</sub> and V<sub>CCPLL</sub>.

## iCE40LM Part Number Description



## Ordering Part Numbers

| Part Number         | LUTs | Supply Voltage | Package            | Leads | Temp. |
|---------------------|------|----------------|--------------------|-------|-------|
| iCE40LM1K-SWG25TR   | 1100 | 1.2 V          | Halogen-Free caBGA | 25    | IND   |
| iCE40LM1K-SWG25TR1K | 1100 | 1.2 V          | Halogen-Free caBGA | 25    | IND   |
| iCE40LM1K-CM36TR    | 1100 | 1.2 V          | Halogen-Free ucBGA | 36    | IND   |
| iCE40LM1K-CM36TR1K  | 1100 | 1.2 V          | Halogen-Free ucBGA | 36    | IND   |
| iCE40LM1K-CM49TR    | 1100 | 1.2 V          | Halogen-Free ucBGA | 49    | IND   |
| iCE40LM1K-CM49TR1K  | 1100 | 1.2 V          | Halogen-Free ucBGA | 49    | IND   |
| iCE40LM2K-SWG25TR   | 2048 | 1.2 V          | Halogen-Free caBGA | 25    | IND   |
| iCE40LM2K-SWG25TR1K | 2048 | 1.2 V          | Halogen-Free caBGA | 25    | IND   |
| iCE40LM2K-CM36TR    | 2048 | 1.2 V          | Halogen-Free ucBGA | 36    | IND   |
| iCE40LM2K-CM36TR1K  | 2048 | 1.2 V          | Halogen-Free ucBGA | 36    | IND   |
| iCE40LM2K-CM49TR    | 2048 | 1.2 V          | Halogen-Free ucBGA | 49    | IND   |
| iCE40LM2K-CM49TR1K  | 2048 | 1.2 V          | Halogen-Free ucBGA | 49    | IND   |
| iCE40LM4K-SWG25TR   | 3520 | 1.2 V          | Halogen-Free caBGA | 25    | IND   |
| iCE40LM4K-SWG25TR1K | 3520 | 1.2 V          | Halogen-Free caBGA | 25    | IND   |
| iCE40LM4K-CM36TR    | 3520 | 1.2 V          | Halogen-Free ucBGA | 36    | IND   |
| iCE40LM4K-CM36TR1K  | 3520 | 1.2 V          | Halogen-Free ucBGA | 36    | IND   |
| iCE40LM4K-CM49TR    | 3520 | 1.2 V          | Halogen-Free ucBGA | 49    | IND   |
| iCE40LM4K-CM49TR1K  | 3520 | 1.2 V          | Halogen-Free ucBGA | 49    | IND   |

## For Further Information

A variety of technical notes for the iCE40 family are available on the Lattice web site.

- [TN1248, iCE40 Programming and Configuration](#)
- [TN1274, iCE40 I2C and SPI Hardened IP Usage Guide](#)
- [TN1275, iCE40LM On-Chip Strobe Generator Usage Guide](#)
- [TN1276, Advanced iCE40 I2C and SPI Hardened IP Usage Guide](#)
- [TN1250, Memory Usage Guide for iCE40 Devices](#)
- [TN1251, iCE40 sysCLOCK PLL Design and Usage Guide](#)
- [iCE40LM Pinout Files](#)
- [iCE40LM Pin Migration Files](#)
- [Thermal Management](#) document
- [Lattice design tools](#)
- [Schematic Symbols](#)

| Date           | Version  | Section                          | Change Summary   |
|----------------|----------|----------------------------------|--|
| March 2015     | 1.5      | DC and Switching Characteristics | Updated <a href="#">sysIO Single-Ended DC Electrical Characteristics</a> section. Changed LVCMOS 3.3 and LVCMOS 2.5 $V_{OH}$ Min. (V) from 0.5 to 0.4.   |
| August 2014    | 1.4      | DC and Switching Characteristics | Updated the Recommended Operating Conditions section. Added $V_{CC}$ and $V_{CCPLL}$ information to footnote 1.<br>Updated Power Up Sequence section. Revised and added information on required power up sequence. |
| March 2014     | 1.3      | Ordering Information             | Updated Ordering Part Numbers section. Changed packages from csBGA to ucBGA.   |
|                |          | Architecture                     | Updated Typical I/O Behavior During Power-up section. Added $V_{CCIO\_0}$ to the first statement.<br>Updated Power On Reset section. Added $V_{CCIO\_0}$ to the first statement.                                   |
|                | 01.2     | Ordering Information             | Updated iCE40LM Part Number Description section. Added shipping method and packages.<br>Added part numbers in Ordering Part Numbers section.   |
|                |          | All                              | Updated document status from Advance.  |
| January 2014   | 01.1     | Introduction                     | Updated device features.   |
|                |          | DC and Switching Characteristics | Updated the following tables:<br>— sysCLOCK PLL Timing – Preliminary<br>— Supply Current<br>— sysCONFIG Port Timing Specifications.  |
|                |          | Pinout Information               | Updated SPI and Config SPI Ports information in Signal Descriptions table.   |
|                |          | All                              | Updated device features.   |
| October 2013   | 01.0     | All                              | General updates for product launch.  |
|                |          | Pinout Information               | Updated ball map to 25-pin WLCSP.  |
| September 2013 | 00.2 EAP | All                              | General updates to all sections.   |
| August 2013    | 00.1 EAP | All                              | Initial release.   |

## Данный компонент на территории Российской Федерации

### Вы можете приобрести в компании MosChip.

Для оперативного оформления запроса Вам необходимо перейти по данной ссылке:

<http://moschip.ru/get-element>

Вы можете разместить у нас заказ для любого Вашего проекта, будь то серийное производство или разработка единичного прибора.

В нашем ассортименте представлены ведущие мировые производители активных и пассивных электронных компонентов.

Нашей специализацией является поставка электронной компонентной базы двойного назначения, продукции таких производителей как XILINX, Intel (ex.ALTERA), Vicor, Microchip, Texas Instruments, Analog Devices, Mini-Circuits, Amphenol, Glenair.

Сотрудничество с глобальными дистрибьюторами электронных компонентов, предоставляет возможность заказывать и получать с международных складов практически любой перечень компонентов в оптимальные для Вас сроки.

На всех этапах разработки и производства наши партнеры могут получить квалифицированную поддержку опытных инженеров.

Система менеджмента качества компании отвечает требованиям в соответствии с ГОСТ Р ИСО 9001, ГОСТ РВ 0015-002 и ЭС РД 009

### Офис по работе с юридическими лицами:

105318, г.Москва, ул.Щербаковская д.3, офис 1107, 1118, ДЦ «Щербаковский»

Телефон: +7 495 668-12-70 (многоканальный)

Факс: +7 495 668-12-70 (доб.304)

E-mail: [info@moschip.ru](mailto:info@moschip.ru)

Skype отдела продаж:

moschip.ru

moschip.ru\_4

moschip.ru\_6

moschip.ru\_9