

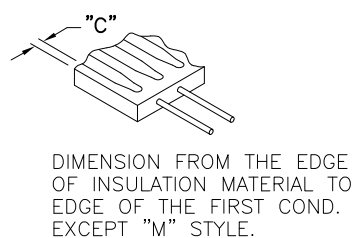
THIS DRAWING IS UNPUBLISHED. RELEASED FOR PUBLICATION
 © COPYRIGHT - By - ALL RIGHTS RESERVED.

| LOC | DIST | REVISIONS | | | | | |
|-----|------|-----------|-----|---------------|---------|-----|------|
| GP | 00 | P | LTR | DESCRIPTION | DATE | DWN | APVD |
| | | H1 | | ECR-11-025464 | 16DEC11 | RK | BVH |

NOTES:

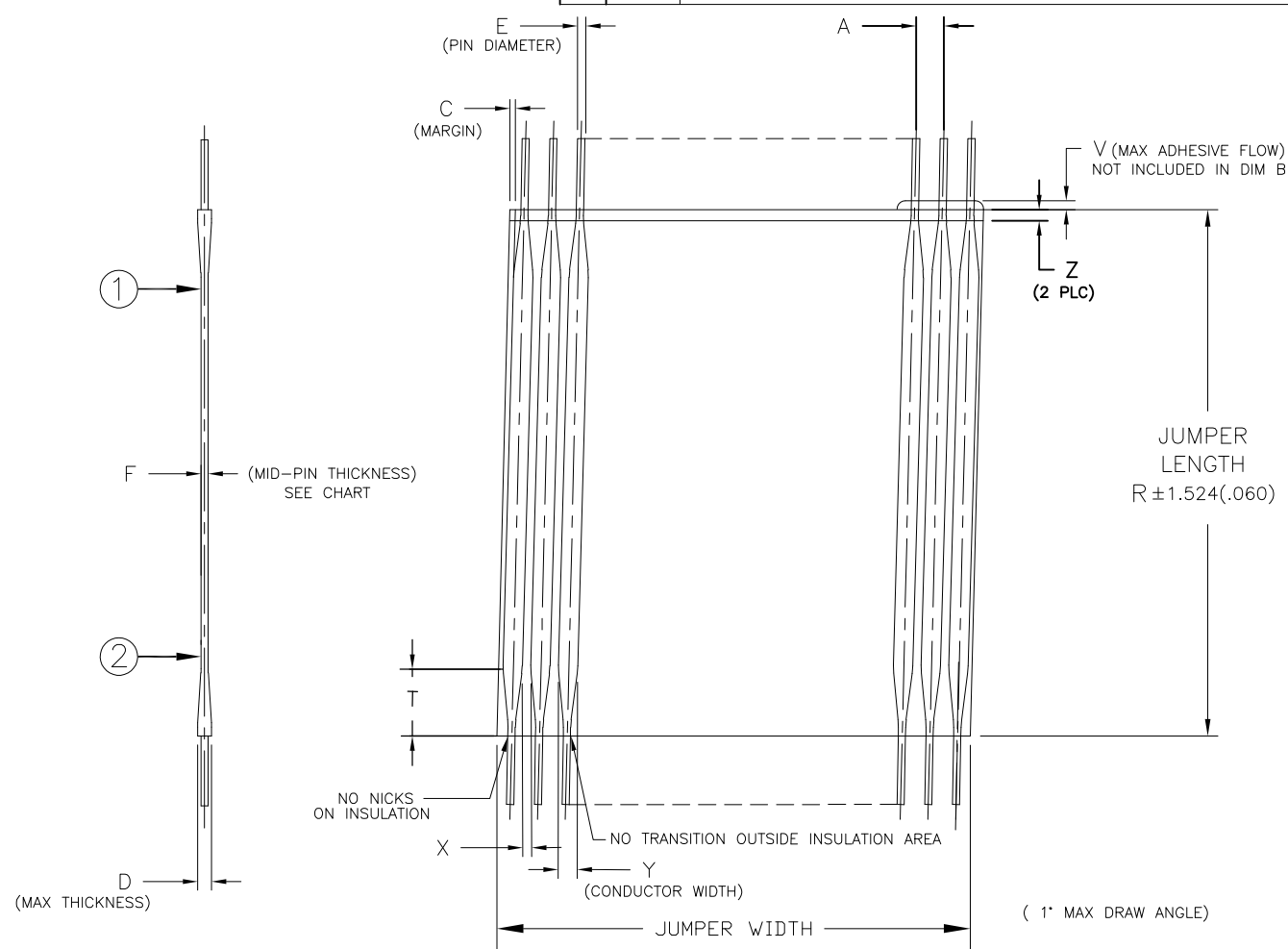
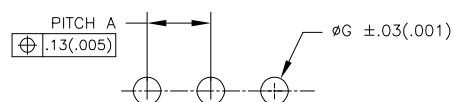
- ⚠ PITCH TOLERANCE TO BE ±.18[.007] FOR 1.27[.050] PITCH JUMPERS & ±.25[.010] FOR ALL REMAINING PITCHES. TOLERANCE TO BE NON CUMULATIVE OVER GAUGE LENGTH.
- ⚠ 11.92-152.40[.500-6.000] ARE STANDARD LENGTHS. JUMPERS ARE AVAILABLE IN INCREMENTS OF 2.50[.10] PLUS 6.35[.25] AND 19.05[.75].
- ⚠ DELETED
- ⚠ FOR CONDUCTOR PITCH 7 (2mm), ON PAGE 2 & 3, DIMENSION "B" IS 2.00[.079]
- ⚠ SPECIAL PIN LENGTHS ARE AVAILABLE FOR JUMPERS WITH A PIN CONFIGURATION OF "A" OR "B" ON LENGTHS OF UP TO 609.6[24.0] IN 2.54[.100] & 5.08[.200] PITCH VARIANTS ONLY BY ADDING THE FOLLOWING SUFFIXES:

| SUFFIX | PEN LENGTH | TOLERANCE |
|--------|-------------|------------------|
| V1 | 2.85 (.112) | ±.305 [±.012] |
| V2 | 3.40 (.134) | |
| V3 | 4.10 (.161) | |
| V4 | 6.50 (.256) | |
| V5 | 3.10 (.122) | |
| V6 | 2.81 (.150) | |
| V7 | 4.50 (.177) | |
| V8 | 2.00 (.079) | |
| V9 | TBD | |
| V10 | .76 (.030) | |
| V11 | 2.41 (.095) | |



6. RECOMMENDED PCB HOLE DRILLING DETAILS ARE AS FOLLOWS:-

| PITCH A | ØG |
|-------------|------------|
| 1.27 (.050) | .70 (.028) |
| 1.90 (.075) | .80 (.031) |
| 2.54 (.100) | .95 (.037) |
| 3.18 (.125) | .95 (.037) |
| 3.81 (.150) | .95 (.037) |
| 5.08 (.200) | .95 (.037) |



- ⚠ BEND RADIUS TO APPLY ONLY IN THE FLAT SECTION OF JUMPER BETWEEN THE CONDUCTOR TRANSITION AREAS.
- ⚠ PER 108-2135.
- 9. TOOL MARKS PERMISSIBLE ON BENDS. NO EXPOSED COPPER.
- ⚠ PIN DIAMETER SPECIFIED NOT APPLICABLE IN BENDING AREA OF PIN, DUE TO NORMAL DEFORMATION OF BENDING PROCESS.
- ⚠ REFER TO RELEVANT MATERIAL SPECIFICATIONS.

| F - MID POINT THICKNESS BETWEEN PT 1 & PT 2 | MINIMUM | MAXIMUM |
|---|-------------|-------------|
| | NOMEX® | .152 [.006] |
| POLYESTER | .152 [.006] | .305 [.012] |
| KAPTON® | .102 [.004] | .254 [.010] |
| TEFLON® | .305 [.012] | .533 [.021] |

12. PRODUCT AND PROCESSING MUST MEET REQUIREMENTS OF TE CONNECTIVITY STANDARD 230-702.

Nomex®, Teflon® and Kapton® are trademarks of E. I. DuPont de Nemours.

| JUMPER LENGTH | PITCH (NOMINAL) | TRANSITION MAX | MAX/MIN MARGIN | △ PIN DIAMETER | WIRE GAUGE (AWG) | MIN/MAX No OF CONDUCTORS | MAXIMUM ADHESIVE FLOW | MIN GAP BETWEEN CONDUCTORS | CONDUCTOR WIDTH | MAXIMUM INSULATION MISMATCH | MAX THICKNESS |
|---|-----------------|----------------|---------------------------|-------------------------------|------------------|--------------------------|-----------------------|----------------------------|-------------------------|-----------------------------|---------------|
| R ⚠ | A ⚠ | T | C | E | - | - | V | X | Y | Z | D |
| 11.93 (.50) TO 863.6 (30.00) IN STEPS OF 2.50 (.10) PLUS 6.35 (.25) AND 19.05 (.75) | 1.00 (0.039) | 4.32 [.170] | 0.35 (0.014) 0.17 (.007) | 0.330 (.0130) 0.317 (.0125) | 28 | 2-70 | 0.38 (0.015) | 0.13 (0.009) | 0.76 (.030) 0.56 (.022) | .76 (.030) | .64 |
| | 1.25 (0.049) | 4.32 [.170] | 0.50 (0.020) 0.17 (0.007) | 0.330 (.0130) 0.317 (.0125) | 28 | 2-70 | 0.38 (0.015) | 0.25 (0.010) | 0.89 (.035) 0.64 (.025) | .76 (.030) | .64 |
| | 1.27 (0.050) | 4.32 [.170] | 0.50 (0.020) 0.17 (0.007) | 0.330 (.0130) 0.317 (.0125) | 28 | 2-70 | 0.38 (0.015) | 0.25 (0.010) | 0.89 (.035) 0.64 (.025) | .76 (.030) | .64 |
| | 2.00 (0.079) | 5.08 [.200] | 0.70 (0.028) 0.25 (0.010) | 0.416 (0.0164) 0.400 (0.0157) | 26 | 2-50 | 0.38 (0.015) | 0.38 (0.015) | 1.14 (.045) 0.89 (.035) | .76 (.030) | .84 |
| | 1.90 (0.075) | 5.08 [.200] | 0.70 (0.028) 0.25 (0.010) | 0.416 (0.0164) 0.400 (0.0157) | 26 | 2-50 | 0.38 (0.015) | 0.38 (0.015) | 1.14 (.045) 0.89 (.035) | .76 (.030) | .84 |
| | 2.54 (0.100) | 6.35 [.250] | 0.80 (0.031) 0.25 (0.010) | 0.526 (0.0207) 0.505 (0.0199) | 24 | 2-50 | 0.51 (0.020) | 0.51 (0.020) | 1.52 (.060) 1.27 (.050) | .76 (.030) | .84 |
| | 3.18 (0.125) | 6.35 [.250] | 1.00 (0.039) 0.25 (0.010) | 0.526 (0.0207) 0.505 (0.0199) | 24 | 2-25 | 0.51 (0.020) | 0.51 (0.020) | 1.52 (.060) 1.27 (.050) | .76 (.030) | .84 |
| | 3.81 (0.150) | 6.35 [.250] | 1.00 (0.039) 0.25 (0.010) | 0.526 (0.0207) 0.505 (0.0199) | 24 | 2-20 | 0.51 (0.020) | 0.51 (0.020) | 1.52 (.060) 1.27 (.050) | .76 (.030) | .84 |
| | 5.08 (0.200) | 6.35 [.250] | 1.00 (0.039) 0.25 (0.010) | 0.526 (0.0207) 0.505 (0.0199) | 24 | 2-15 | 0.51 (0.020) | 0.51 (0.020) | 1.52 (.060) 1.27 (.050) | .76 (.030) | .84 |

THIS DRAWING IS A CONTROLLED DOCUMENT.

DWN J. SCHWARTZ 28FEB01
 CHK E. FOX 28FEB01
 APVD E. FOX 28FEB01

STE TE Connectivity

FLEXSTRIP PIN CONFIGURATIONS, GENERIC

SIZE A3 CAGE CODE 00779 DRAWING NO C-1474339 RESTRICTED TO -

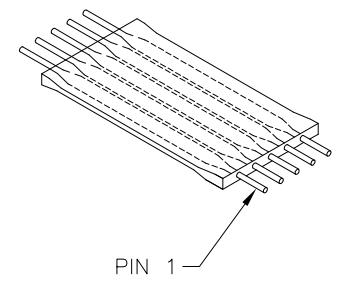
CUSTOMER DRAWING SCALE N.T.S. SHEET 1 OF 4 REV H1

THIS DRAWING IS UNPUBLISHED. RELEASED FOR PUBLICATION. ALL RIGHTS RESERVED.

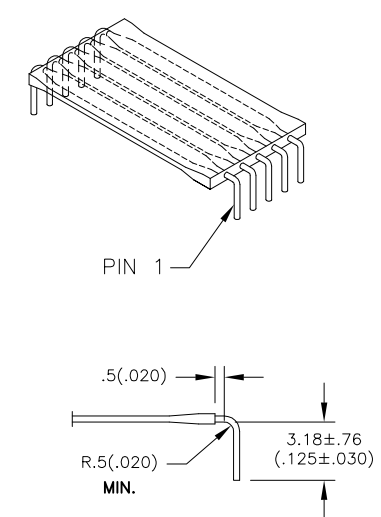
LOC GP DIST 00 REVISIONS P LTR DESCRIPTION DATE DWN APVD

SEE SHEET 1

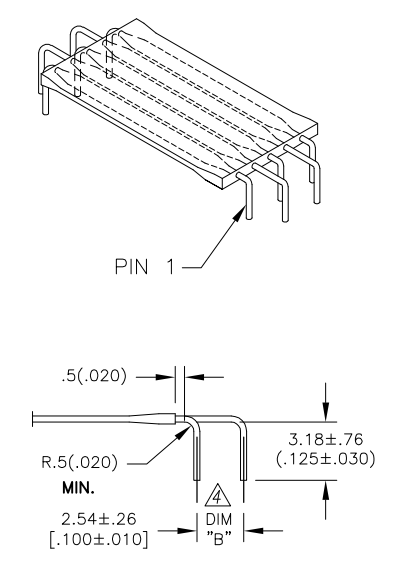
A - STRAIGHT PINS



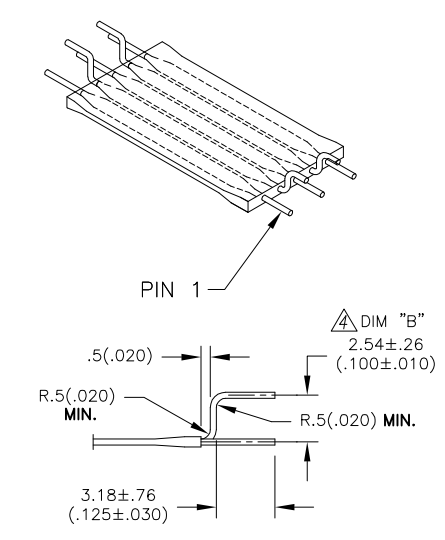
B - RIGHT ANGLE PINS (BENT DOWN)



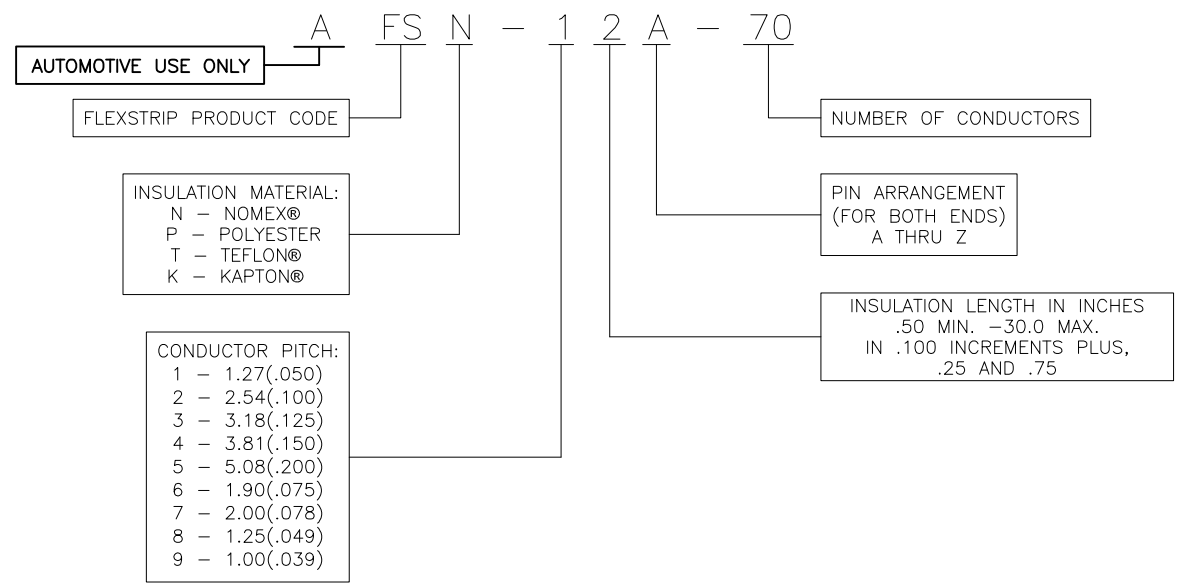
C - RIGHT ANGLE STAGGERED PINS (PIN 1 SHORT, BENT DOWN)



D - STRAIGHT ANGLE STAGGERED PINS (PIN 1 STRAIGHT)



STANDARD JUMPERS SMART DESCRIPTION



MANUFACTURING NOTE:

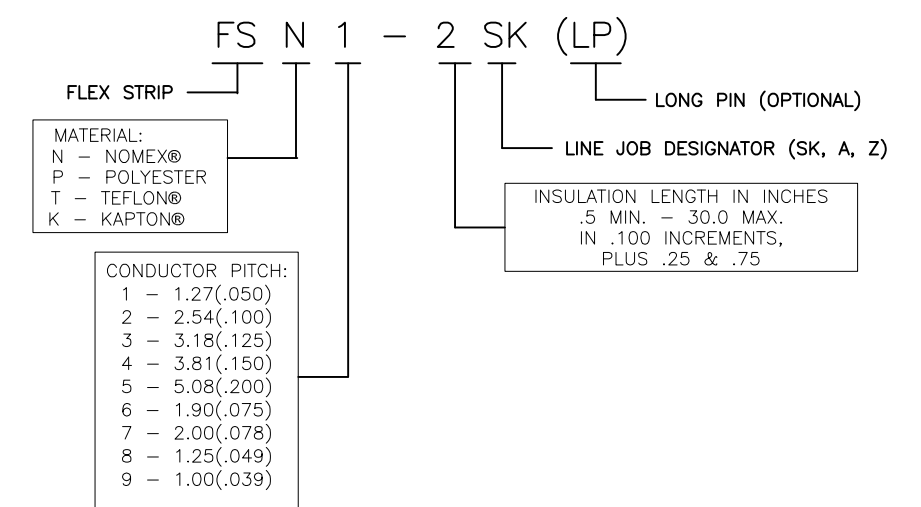
MINIMUM GAP BETWEEN STRIPS

Table with 2 columns: SK/A/Z and gap dimensions (.75 INCH and 1.1 INCH).

MINIMUM CONDUCTOR COUNT PER STRIP FOR LINE JOBS

Table with 3 columns: PITCH, CONDUCTOR, and CONDUCTOR count for various pitch values.

STANDARD LINE JOBS



THE FOLLOWING ORDERING CODE IS A SPECIAL FOR TE CONNECTIVITY GERMANY DESCRIBING A STRIP OF ANY INSULATION MATERIAL, ANY PITCH AND ANY INSULATION LENGTH WITH A 11.00[.433] MIN PIN LENGTH UNLESS OTHERWISE SPECIFIED:-

FS X-X X J-A A W

Nomex®, Teflon® and Kapton® are trademarks of E. I. DuPont de Nemours.

THIS DRAWING IS A CONTROLLED DOCUMENT.

Table with dimensions, tolerances, and material finish specifications.

Table with revision history including names (J. SCHWARTZ, E. FOX) and dates (28FEB01).

STE TE Connectivity logo and product information including name (FLEXSTRIP PIN CONFIGURATIONS, GENERIC), size, cage code, drawing no, and scale (N.T.S.).

THIS DRAWING IS UNPUBLISHED. RELEASED FOR PUBLICATION
 © COPYRIGHT - By - ALL RIGHTS RESERVED.

| LOC | DIST | REVISIONS | | | | | |
|-----|------|-----------|-----|-------------|------|-----|------|
| GP | 00 | P | LTR | DESCRIPTION | DATE | DWN | APVD |
| | | - | | SEE SHEET 1 | - | - | - |



**SPECIAL JUMPERS
SMART DESCRIPTION**



| CONDUCTOR PITCH | BENDS AVAILABLE |
|------------------|-----------------|
| 1 - 1.27/(.050) | E,F,G,H,J,K,L |
| 2 - 2.54/(.100) | E,F,G,H,J,K,L |
| 3 - 3.18/(.125) | E |
| 4 - 3.81/(.150) | E |
| 5 - 5.08/(.200) | E |
| 6 - 1.91/(.075) | E,F,G,H,J,K,L |
| 7 - 2.00/(.0787) | E,F,G,H,J,K,L |
| 8 - 1.25/(.049) | E |
| 9 - 1.00/(.039) | E |

| |
|-------------------------------------|
| E THRU L BEND |
| "A" DIM 3.18±0.76/(.125±.030) |
| "B" DIM 2.54±0.25/(.100±.010) |

SPECIAL FLEXSTRIP BENDS
 SPECIAL FLEXSTRIP BENDS
 E THRU R, AND Z MAY APPLY TO EITHER
 LEFT OF RIGHT SIDE

INSULATION LENGTH: (in inches)
 .50 MIN. - 30.0 MAX.
 IN .10 INCREMENTS PLUS .25 AND .75

Nomex®, Teflon® and Kapton® are trademarks of E. I. DuPont de Nemours.

THIS DRAWING IS A CONTROLLED DOCUMENT.

| | | | |
|----------------------------|--|---|-------------------------|
| DIMENSIONS: MM [INCHES] | TOLERANCES UNLESS OTHERWISE SPECIFIED: | DWN J. SCHWARTZ 28FEB01 | TE Connectivity |
| | 0 PLC ± - | CHK E. FOX 28FEB01 | |
| | 1 PLC ± - | APVD E. FOX 28FEB01 | |
| MATERIAL | FINISH | NAME FLEXSTRIP PIN CONFIGURATIONS, GENERIC | |
| | | PRODUCT SPEC | SIZE A3 |
| | | APPLICATION SPEC | CAGE CODE 00779 |
| | | WEIGHT | DRAWING NO C-1474339 |
| | | | RESTRICTED TO |
| | | CUSTOMER DRAWING | SCALE N.T.S. |
| | | | SHEET 3 OF 4 |
| | | | REV H1 |

THIS DRAWING IS UNPUBLISHED. RELEASED FOR PUBLICATION
 © COPYRIGHT - By - ALL RIGHTS RESERVED.

| | | | | |
|-----------|------------|-------------|------|-----|
| LOC GP | DIST 00 | REVISIONS | | |
| P | LTR | DESCRIPTION | DATE | DWN |
| | | SEE SHEET 1 | - | - |

| | | | | | | | | | | |
|---|------------------|--|--|--|--|--|--|--|--|--|
| NORMAL CONDUCTOR PITCH | | 1.00 (.039) | 1.25 (.049) | 1.27 (.050) | 1.90 (.075) | 2.00 (.078) | 2.54 (.100) | 3.18 (.125) | 3.81 (.150) | 5.08 (.200) |
| WIRE GAUGE | | AWG 28 | AWG 28 | AWG 28 | AWG 26 | AWG 26 | AWG 24 | AWG 24 | AWG 24 | AWG 24 |
| NOMINAL WIRE DIAMETER | | .32(.0126) | .32(.0126) | .32(.0126) | .40(.0159) | .40(.0159) | .51(.0201) | .51(.0201) | .51(.0201) | .51(.0201) |
| CURRENT RATING | | 8 | 8 | 8 | 8 | 8 | 8 | 8 | 8 | 8 |
| VOLTAGE RATING | | 8 | 8 | 8 | 8 | 8 | 8 | 8 | 8 | 8 |
| MAX NUMBER OF CONDUCTORS PER JUMPER | | 8 | 8 | 8 | 8 | 8 | 8 | 8 | 8 | 8 |
| MIN BREAKDOWN VOLTAGE @ 1 MIN | | 8 | 8 | 8 | 8 | 8 | 8 | 8 | 8 | 8 |
| INSULATION RESISTANCE (GND. SIG. GND) 305 (12") SAMPLE @ 500VDC | P N T K | 8 | 8 | 8 | 8 | 8 | 8 | 8 | 8 | 8 |
| CAPACITANCE (pf / 50.8 (12") LENGTH) (GND, SIG, GND) (AVERAGE) | P N T K | 8 | 8 | 8 | 8 | 8 | 8 | 8 | 8 | 8 |
| CHARACTERISTIC IMPEDANCE (GND. SIG. GND) (AVERAGE) | P N T K | 8 | 8 | 8 | 8 | 8 | 8 | 8 | 8 | 8 |
| APPLICATION TEMP RANGE (C°) (FOR SOLDERING) | P N T K | 200 / 4 sec 200 / 4 sec 240 / 4 sec 240 / 4 sec | 200 / 4 sec 200 / 4 sec 240 / 4 sec 240 / 4 sec | 200 / 4 sec 200 / 4 sec 240 / 4 sec 240 / 4 sec | 200 / 4 sec 200 / 4 sec 240 / 4 sec 240 / 4 sec | 200 / 4 sec 200 / 4 sec 240 / 4 sec 240 / 4 sec | 250 / 4 sec 250 / 4 sec 260 / 5 sec 260 / 5 sec | 250 / 4 sec 250 / 4 sec 260 / 5 sec 260 / 5 sec | 250 / 4 sec 250 / 4 sec 260 / 5 sec 260 / 5 sec | 250 / 4 sec 250 / 4 sec 260 / 5 sec 260 / 5 sec |
| OPERATING TEMPERATURE (C°) | P N T K | -40 to 105 (For all Conductor Pitches) -40 to 125 (For all Conductor Pitches) -40 to 150 (For all Conductor Pitches) -40 to 150 (For all Conductor Pitches) | | | | | | | | |
| MINIMUM BEND RADIUS | P N T K | 3.18mm (For all Conductor Pitches) 3.18mm (For all Conductor Pitches) 3.18mm (For all Conductor Pitches) 3.18mm (For all Conductor Pitches) | | | | | | | | |
| UL STYLE NUMBER | P N T K | 2639 (For all Conductor Pitches .100 and above) 5456 (For all Conductor Pitches .100 and above) 2928 (For all Conductor Pitches .100 and above) 2927 (For all Conductor Pitches .100 and above) | | | | | | | | |

| ABR. | MATERIAL | SPECIFICATION |
|------|-------------|---------------|
| | COPPER WIRE | 100-1577 |
| P | POLYESTER | 100-1575 |
| N | NOMEX® | 100-1758 |
| T | TEFLON® | 100-1574 |
| K | KAPTON® | 100-1576 |

Nomex®, Teflon® and Kapton® are trademarks of E. I. DuPont de Nemours.

| | | | | |
|--|--|-------------------------------|---|-------------------------|
| THIS DRAWING IS A CONTROLLED DOCUMENT. | | DWN J. SCHWARTZ 28FEB01 | TE Connectivity | |
| | | CHK E. FOX 28FEB01 | | |
| DIMENSIONS: MM [INCHES] | | APVD E. FOX 28FEB01 | NAME FLEXSTRIP PIN CONFIGURATIONS, GENERIC | |
| | | PRODUCT SPEC - | - | |
| TOLERANCES UNLESS OTHERWISE SPECIFIED: | | APPLICATION SPEC - | - | |
| 0 PLC ± - 1 PLC ± - 2 PLC ± - 3 PLC ± - 4 PLC ± - ANGLES ± 1/2° | | SIZE A3 | CAGE CODE 00779 | DRAWING NO C-1474339 |
| MATERIAL - | | FINISH - | RESTRICTED TO - | SCALE N.T.S. |
| CUSTOMER DRAWING | | | SHEET 4 OF 4 | REV H1 |

Данный компонент на территории Российской Федерации

Вы можете приобрести в компании MosChip.

Для оперативного оформления запроса Вам необходимо перейти по данной ссылке:

<http://moschip.ru/get-element>

Вы можете разместить у нас заказ для любого Вашего проекта, будь то серийное производство или разработка единичного прибора.

В нашем ассортименте представлены ведущие мировые производители активных и пассивных электронных компонентов.

Нашей специализацией является поставка электронной компонентной базы двойного назначения, продукции таких производителей как XILINX, Intel (ex.ALTERA), Vicor, Microchip, Texas Instruments, Analog Devices, Mini-Circuits, Amphenol, Glenair.

Сотрудничество с глобальными дистрибьюторами электронных компонентов, предоставляет возможность заказывать и получать с международных складов практически любой перечень компонентов в оптимальные для Вас сроки.

На всех этапах разработки и производства наши партнеры могут получить квалифицированную поддержку опытных инженеров.

Система менеджмента качества компании отвечает требованиям в соответствии с ГОСТ Р ИСО 9001, ГОСТ РВ 0015-002 и ЭС РД 009

Офис по работе с юридическими лицами:

105318, г.Москва, ул.Щербаковская д.3, офис 1107, 1118, ДЦ «Щербаковский»

Телефон: +7 495 668-12-70 (многоканальный)

Факс: +7 495 668-12-70 (доб.304)

E-mail: info@moschip.ru

Skype отдела продаж:

moschip.ru

moschip.ru_4

moschip.ru_6

moschip.ru_9