



## Features

- Conductive plastic
- Linear tapers
- Audio tapers available
- PC board and bushing mount
- Plastic bushing and plastic shaft
- Withstands typical industrial washing processes

- RoHS compliant\* version available

# 3360 - 6 mm Square Sealed Panel Control

### Electrical Characteristics

Standard Resistance Range  
 Linear ..... 1K ohms to 1 megohm  
 Total Resistance Tolerance  
 Linear Tapers ..... ±20 %  
 Independent Linearity ..... ±5 %  
 Absolute Minimum Resistance  
 ..... 2 % or 2 ohms max.  
 ..... (whichever is greater)  
 Effective Electrical Angle .. 240 ° nominal  
 Contact Resistance Variation  
 ..... 1 % or 3 ohms max.  
 ..... (whichever is greater)  
 Dielectric Withstanding Voltage  
 (MIL-STD-202 – Method 301)  
 Sea Level ..... 900 VAC minimum  
 70,000 Feet ..... 350 VAC minimum  
 Insulation Resistance  
 ..... 1,000 megohms minimum  
 Power Rating @ 70 °C  
 (Derate to 0 at 125 °C)  
 Voltage Limited By Power Dissipation  
 or 200 VAC, Whichever is Less)  
 ..... .25 watts  
 Audio Tapers ..... 0.125 watts  
 Theoretical Resolution  
 ..... Essentially infinite

### Environmental Characteristics

Operating Temperature Range  
 ..... +1 °C to +125 °C  
 Storage Temperature Range  
 ..... -55 °C to +125 °C  
 Temperature Coefficient  
 Over Storage Temperature Range  
 ..... ±1,000 ppm/°C  
 Vibration ..... 30 G  
 Total Resistance Shift.... ±2 % maximum  
 Voltage Ratio Shift.... ±2 % maximum  
 Shock..... 100 G  
 Total Resistance Shift ... ±2 % maximum  
 Voltage Ratio Shift..... ±2 % maximum  
 Load Life..... 1,000 Hours  
 Total Resistance Shift  
 ..... ±10 % TRS maximum  
 Rotational Life (No Load) .. 50,000 Cycles  
 Total Resistance Shift  
 ..... ±5 % TRS maximum  
 Contact Resistance Variation  
 ..... 3 % or 3 ohms,  
 whichever is greater  
 Moisture Resistance ..... MIL-STD-202,  
 Method 103, Condition B  
 Total Resistance Shift  
 ..... ±10 % TRS maximum  
 IP Rating ..... IP 67

### Physical Characteristics

Stop Strength..... 5.65 N-cm (8 oz.-in.)  
 Mechanical Angle ..... 310 ° nominal  
 Torque  
 Starting  
 ..... 3.53 N-cm (5.0 oz.-in.) maximum  
 Running  
 ..... 3.53 N-cm (5.0 oz.-in.) maximum  
 Mounting (Torque on Bushing)  
 ..... 17 N-cm (1.5 lb.-in.) maximum  
 [plastic bushing]  
 Weight ..... 4.5 grams  
 Terminals ..... Solderable pins  
 Soldering Condition  
 ..... 5 seconds at 360 °C maximum.  
 Recommended hand soldering  
 using Sn95/Ag5 no clean solder,  
 0.025 wire diameter.  
 Marking..... Manufacturer's trademark,  
 model number, product code,  
 terminal style, resistance code  
 and date code  
 Flammability ..... Conforms to UL94V-0  
 Epoxy..... Conforms to UL94V-1  
 Hardware (purchased separately)  
 Nut..... H-38-1  
 Washer ..... H-37-5

### Standard Resistance Table

| Resistance (Ohms) | Resistance Code |
|-------------------|-----------------|
| <b>1,000</b>      | <b>102</b>      |
| <b>2,000</b>      | <b>202</b>      |
| <b>5,000</b>      | <b>502</b>      |
| <b>10,000</b>     | <b>103</b>      |
| <b>20,000</b>     | <b>203</b>      |
| 50,000            | 503             |
| 100,000           | 104             |
| 200,000           | 204             |
| 500,000           | 504             |
| 1,000,000         | 105             |

Popular distribution resistance values listed in boldface. Special resistances available.

### How To Order

**3360 Y - 1 - 103 LF**

Model \_\_\_\_\_

Terminal Style Designator \_\_\_\_\_

Single Cup: \_\_\_\_\_

C = In-line Straight  
 Terminals Side Exit  
 P = 5.08 mm x 2.54 mm  
 Triangular Pattern  
 Rear Exit  
 Y = 5.08 mm x 5.08 mm  
 Triangular Pattern  
 Rear Exit

Bushing Designator \_\_\_\_\_

1 = Standard

Resistance Code \_\_\_\_\_

Terminations \_\_\_\_\_

LF = 100 % Tin-plated (RoHS compliant)  
 Blank = 90 % Tin / 10 % Lead-plated  
 (Standard)

\*RoHS Directive 2002/95/EC Jan. 27, 2003 including annex and RoHS Recast 2011/65/EU June 8, 2011.

Specifications are subject to change without notice.

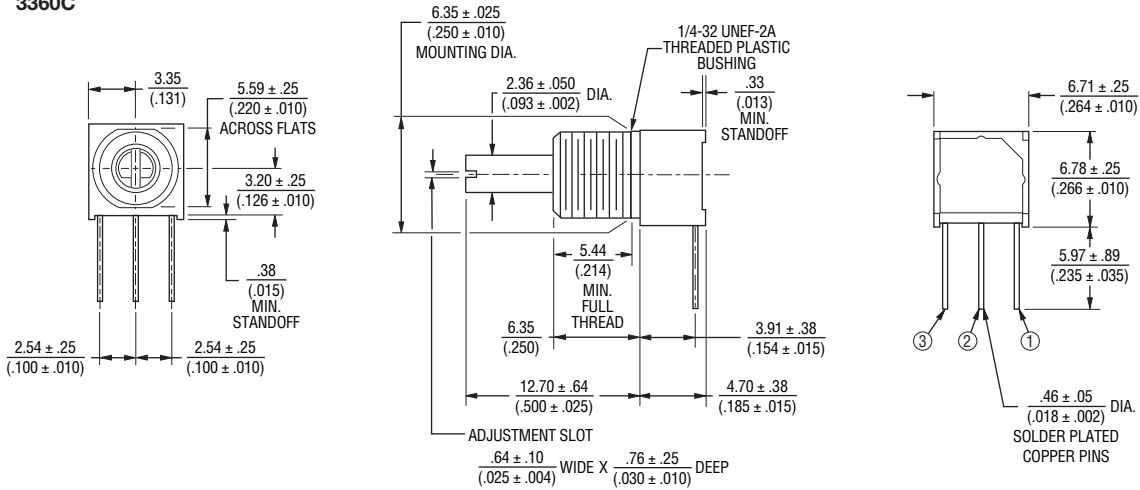
The device characteristics and parameters in this data sheet can and do vary in different applications and actual device performance may vary over time. Users should verify actual device performance in their specific applications.

# 3360 - 6 mm Square Sealed Panel Control

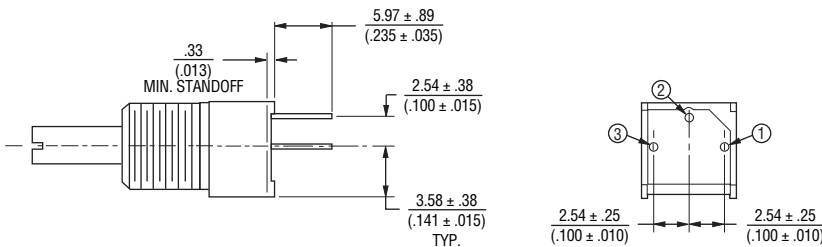
**BOURNS®**

## Product Dimensions

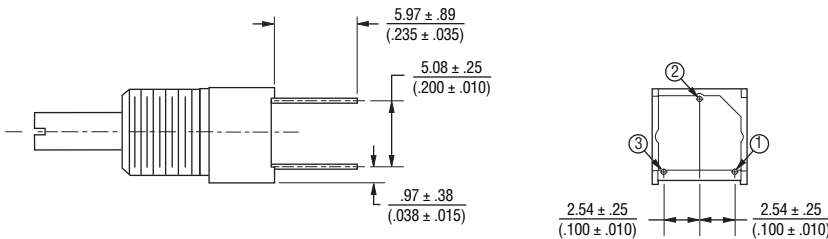
### COMMON DIMENSIONS 3360C



### 3360P



### 3360Y



DIMENSIONS:  $\frac{\text{MM}}{\text{(INCHES)}}$



REV. 02/13

\*RoHS Directive 2002/95/EC Jan. 27, 2003 including annex and RoHS Recast 2011/65/EU June 8, 2011.

Specifications are subject to change without notice.

The device characteristics and parameters in this data sheet can and do vary in different applications and actual device performance may vary over time. Users should verify actual device performance in their specific applications.

## Данный компонент на территории Российской Федерации

### Вы можете приобрести в компании MosChip.

Для оперативного оформления запроса Вам необходимо перейти по данной ссылке:

<http://moschip.ru/get-element>

Вы можете разместить у нас заказ для любого Вашего проекта, будь то серийное производство или разработка единичного прибора.

В нашем ассортименте представлены ведущие мировые производители активных и пассивных электронных компонентов.

Нашей специализацией является поставка электронной компонентной базы двойного назначения, продукции таких производителей как XILINX, Intel (ex.ALTERA), Vicor, Microchip, Texas Instruments, Analog Devices, Mini-Circuits, Amphenol, Glenair.

Сотрудничество с глобальными дистрибьюторами электронных компонентов, предоставляет возможность заказывать и получать с международных складов практически любой перечень компонентов в оптимальные для Вас сроки.

На всех этапах разработки и производства наши партнеры могут получить квалифицированную поддержку опытных инженеров.

Система менеджмента качества компании отвечает требованиям в соответствии с ГОСТ Р ИСО 9001, ГОСТ РВ 0015-002 и ЭС РД 009

### Офис по работе с юридическими лицами:

105318, г.Москва, ул.Щербаковская д.3, офис 1107, 1118, ДЦ «Щербаковский»

Телефон: +7 495 668-12-70 (многоканальный)

Факс: +7 495 668-12-70 (доб.304)

E-mail: [info@moschip.ru](mailto:info@moschip.ru)

Skype отдела продаж:

moschip.ru

moschip.ru\_4

moschip.ru\_6

moschip.ru\_9