

Over-The-Top Micropower Rail-to-Rail Input and Output Op Amp

FEATURES

- Rail-to-Rail Input and Output
- Micropower: 50 μ A I_Q , 44V Supply
- Operating Temperature Range: -40°C to 125°C
- Over-The-Top[®]: Input Common Mode Range Extends 44V Above V_{EE} , Independent of V_{CC}
- Low Input Offset Voltage: 225 μ V Max
- Specified on 3V, 5V and \pm 15V Supplies
- High Output Current: 18mA
- Output Shutdown
- Output Drives 10,000pF with Output Compensation
- Reverse Battery Protection to 27V
- High Voltage Gain: 2000V/mV
- High CMRR: 110dB
- 220kHz Gain-Bandwidth Product
- 8-Lead DFN, MSOP, PDIP and SO Packages

APPLICATIONS

- Battery- or Solar-Powered Systems
 - Portable Instrumentation
 - Sensor Conditioning
- Supply Current Sensing
- Battery Monitoring
- MUX Amplifiers
- 4mA to 20mA Transmitters

DESCRIPTION

The LT[®]1636 op amp operates on all single and split supplies with a total voltage of 2.7V to 44V drawing less than 50 μ A of quiescent current. The LT1636 can be shut down, making the output high impedance and reducing the quiescent current to 4 μ A. The LT1636 has a unique input stage that operates and remains high impedance when above the positive supply. The inputs take 44V both differential and common mode, even when operating on a 3V supply. The output swings to both supplies. Unlike most micropower op amps, the LT1636 can drive heavy loads; its rail-to-rail output drives 18mA. The LT1636 is unity-gain stable into all capacitive loads up to 10,000pF when a 0.22 μ F and 150 Ω compensation network is used.

The LT1636 is reverse supply protected: it draws no current for reverse supply up to 27V. Built-in resistors protect the inputs for faults below the negative supply up to 22V. There is no phase reversal of the output for inputs 5V below V_{EE} or 44V above V_{EE} , independent of V_{CC} .

The LT1636 op amp is available in the 8-pin MSOP, PDIP and SO packages. For space limited applications the LT1636 is available in a 3mm \times 3mm \times 0.8mm dual fine pitch leadless package (DFN).

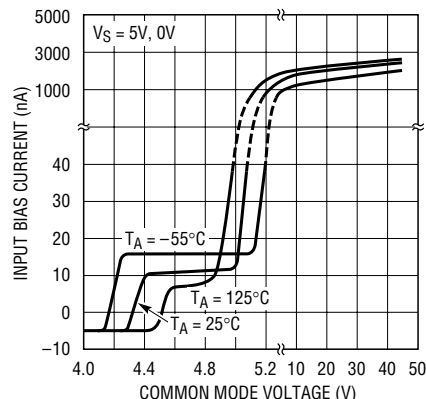
Over-The-Top is a registered trademark of Linear Technology Corporation.
 LT, LTC and LT are registered trademarks of Linear Technology Corporation.
 All other trademarks are the property of their respective owners.

TYPICAL APPLICATION

Over-The-Top Current Source with Shutdown



Input Bias Current vs Common Mode Voltage



ABSOLUTE MAXIMUM RATINGS (Note 1)

| | | | |
|---|----------------|--|----------------|
| Total Supply Voltage (V^+ to V^-) | 44V | Specified Temperature Range (Note 4) | |
| Input Differential Voltage | 44V | LT1636C/LT1636I | -40°C to 85°C |
| Input Current | ± 25 mA | LT1636H | -40°C to 125°C |
| Shutdown Pin Voltage Above V^- | 32V | Junction Temperature | 150°C |
| Shutdown Pin Current | ± 10 mA | Junction Temperature (DD Package) | 125°C |
| Output Short-Circuit Duration (Note 2) | Continuous | Storage Temperature Range | -65°C to 150°C |
| Operating Temperature Range (Note 3) | | Storage Temperature Range (DD Package) | -65°C to 125°C |
| LT1636C/LT1636I | -40°C to 85°C | Lead Temperature (Soldering, 10 sec) | 300°C |
| LT1636H | -40°C to 125°C | | |

PACKAGE/ORDER INFORMATION

| <p>DD PACKAGE 8-LEAD (3mm x 3mm) PLASTIC DFN $T_{JMAX} = 125^\circ\text{C}$, $\theta_{JA} = 160^\circ\text{C/W}$ (NOTE 2) UNDERSIDE METAL CONNECTED TO V^-</p> | | <p>MS8 PACKAGE 8-LEAD PLASTIC MSOP $T_{JMAX} = 150^\circ\text{C}$, $\theta_{JA} = 250^\circ\text{C/W}$</p> | | <p>N8 PACKAGE 8-LEAD PDIP S8 PACKAGE 8-LEAD PLASTIC SO $T_{JMAX} = 150^\circ\text{C}$, $\theta_{JA} = 150^\circ\text{C/W}$ (N8) $T_{JMAX} = 150^\circ\text{C}$, $\theta_{JA} = 190^\circ\text{C/W}$ (S8)</p> | |
|---|------------------|--|-------------------|---|------------------------|
| ORDER PART NUMBER | DD PART* MARKING | ORDER PART NUMBER | MS8 PART* MARKING | ORDER PART NUMBER | S8 PART* MARKING |
| LT1636CDD LT1636IDD | LAAJ | LT1636CMS8 LT1636IMS8 | LTCL | LT1636CN8 LT1636CS8 LT1636IN8 LT1636IS8 LT1636HS8 | 1636 1636I 1636H |

*The temperature grades are identified by a label on the shipping container. Consult factory for parts specified with wider operating temperature ranges.

3V AND 5V ELECTRICAL CHARACTERISTICS

The ● denotes the specifications which apply over the full operating temperature range of $-40^\circ\text{C} \leq T_A \leq 85^\circ\text{C}$.
 $V_S = 3\text{V}$, 0V ; $V_S = 5\text{V}$, 0V ; $V_{CM} = V_{OUT} = \text{half supply unless otherwise specified. (Note 4)}$

| SYMBOL | PARAMETER | CONDITIONS | LT1636C/LT1636I | | | UNITS |
|---|----------------------|--|-----------------|---------------|-----|---------------|
| | | | MIN | TYP | MAX | |
| V_{OS} | Input Offset Voltage | N8 Package $0^\circ\text{C} \leq T_A \leq 70^\circ\text{C}$ $-40^\circ\text{C} \leq T_A \leq 85^\circ\text{C}$ | | 50 | 225 | μV |
| | | | ● | | 400 | μV |
| | | | ● | | 550 | μV |
| | | S8 Package $0^\circ\text{C} \leq T_A \leq 70^\circ\text{C}$ $-40^\circ\text{C} \leq T_A \leq 85^\circ\text{C}$ | | 50 | 225 | μV |
| | | | ● | | 600 | μV |
| | | | ● | | 750 | μV |
| MS8 Package $0^\circ\text{C} \leq T_A \leq 70^\circ\text{C}$ $-40^\circ\text{C} \leq T_A \leq 85^\circ\text{C}$ | | 50 | 225 | μV | | |
| | ● | | 700 | μV | | |
| | ● | | 1050 | μV | | |

3V AND 5V ELECTRICAL CHARACTERISTICS

The ● denotes the specifications which apply over the full operating temperature range of $-40^{\circ}\text{C} \leq T_A \leq 85^{\circ}\text{C}$.
 $V_S = 3\text{V}, 0\text{V}$; $V_S = 5\text{V}, 0\text{V}$; $V_{CM} = V_{OUT} = \text{half supply unless otherwise specified. (Note 4)}$

| SYMBOL | PARAMETER | CONDITIONS | LT1636C/LT1636I | | | UNITS |
|-----------|--------------------------------------|--|----------------------------|--|--------------------------------------|--|
| | | | MIN | TYP | MAX | |
| | | DD Package $0^{\circ}\text{C} \leq T_A \leq 70^{\circ}\text{C}$ $-40^{\circ}\text{C} \leq T_A \leq 85^{\circ}\text{C}$ | ● | 75 | 425 | μV |
| | | | ● | | 900 | μV |
| | | | ● | | 1050 | μV |
| | Input Offset Voltage Drift (Note 9) | N8 Package, $-40^{\circ}\text{C} \leq T_A \leq 85^{\circ}\text{C}$ S8 Package, $-40^{\circ}\text{C} \leq T_A \leq 85^{\circ}\text{C}$ MS8 Package, $-40^{\circ}\text{C} \leq T_A \leq 85^{\circ}\text{C}$ DD Package, $-40^{\circ}\text{C} \leq T_A \leq 85^{\circ}\text{C}$ | ● ● ● ● | 1 2 2 2 | 5 8 10 10 | $\mu\text{V}/^{\circ}\text{C}$ $\mu\text{V}/^{\circ}\text{C}$ $\mu\text{V}/^{\circ}\text{C}$ $\mu\text{V}/^{\circ}\text{C}$ |
| I_{OS} | Input Offset Current | $V_{CM} = 44\text{V}$ (Note 5) | ● ● | 0.1 | 0.8 0.6 | nA μA |
| I_B | Input Bias Current | $V_{CM} = 44\text{V}$ (Note 5) $V_S = 0\text{V}$ | ● ● | 5 3 0.1 | 8 6 | nA μA nA |
| | Input Noise Voltage | 0.1Hz to 10Hz | | 0.7 | | μV_{P-P} |
| e_n | Input Noise Voltage Density | $f = 1\text{kHz}$ | | 52 | | $\text{nV}/\sqrt{\text{Hz}}$ |
| i_n | Input Noise Current Density | $f = 1\text{kHz}$ | | 0.035 | | $\text{pA}/\sqrt{\text{Hz}}$ |
| R_{IN} | Input Resistance | Differential Common Mode, $V_{CM} = 0\text{V}$ to 44V | | 6 7 | 10 15 | $\text{M}\Omega$ $\text{M}\Omega$ |
| C_{IN} | Input Capacitance | | | 4 | | pF |
| | Input Voltage Range | | ● | 0 | 44 | V |
| CMRR | Common Mode Rejection Ratio (Note 5) | $V_{CM} = 0\text{V}$ to $V_{CC} - 1\text{V}$ $V_{CM} = 0\text{V}$ to 44V (Note 8) | ● ● | 84 86 | 110 98 | dB dB |
| A_{VOL} | Large-Signal Voltage Gain | $V_S = 3\text{V}, V_O = 500\text{mV}$ to $2.5\text{V}, R_L = 10\text{k}$ $V_S = 3\text{V}, 0^{\circ}\text{C} \leq T_A \leq 70^{\circ}\text{C}$ $V_S = 3\text{V}, -40^{\circ}\text{C} \leq T_A \leq 85^{\circ}\text{C}$ $V_S = 5\text{V}, V_O = 500\text{mV}$ to $4.5\text{V}, R_L = 10\text{k}$ $V_S = 5\text{V}, 0^{\circ}\text{C} \leq T_A \leq 70^{\circ}\text{C}$ $V_S = 5\text{V}, -40^{\circ}\text{C} \leq T_A \leq 85^{\circ}\text{C}$ | ● ● ● ● ● ● | 200 133 100 400 250 200 | 1300 | V/mV V/mV V/mV V/mV V/mV V/mV |
| V_{OL} | Output Voltage Swing LOW | No Load $I_{SINK} = 5\text{mA}$ $V_S = 5\text{V}, I_{SINK} = 10\text{mA}$ | ● ● ● | | 2 480 860 10 875 1600 | mV mV mV |
| V_{OH} | Output Voltage Swing HIGH | $V_S = 3\text{V}$, No Load $V_S = 3\text{V}, I_{SOURCE} = 5\text{mA}$ $V_S = 5\text{V}$, No Load $V_S = 5\text{V}, I_{SOURCE} = 10\text{mA}$ | ● ● ● ● | 2.95 2.55 4.95 4.30 | 2.985 2.8 4.985 4.75 | V V V V |
| I_{SC} | Short-Circuit Current (Note 2) | $V_S = 3\text{V}$, Short to GND $V_S = 3\text{V}$, Short to V_{CC} $V_S = 5\text{V}$, Short to GND $V_S = 5\text{V}$, Short to V_{CC} | | 7 20 12 25 | 15 42 25 50 | mA mA mA mA |
| PSRR | Power Supply Rejection Ratio | $V_S = 2.7\text{V}$ to $12.5\text{V}, V_{CM} = V_O = 1\text{V}$ | ● | 90 | 103 | dB |
| | Reverse Supply Voltage | $I_S = -100\mu\text{A}$ | ● | 27 | 40 | V |
| I_S | Supply Current | (Note 6) | ● | | 42 55 60 | μA μA |
| | Supply Current, SHDN | $V_{PIN5} = 2\text{V}$, No Load (Note 6) | ● | | 4 12 | μA |
| I_{SD} | Shutdown Pin Current | $V_{PIN5} = 0.3\text{V}$, No Load (Note 6) $V_{PIN5} = 2\text{V}$, No Load (Note 5) | ● ● | | 0.5 15 1.1 5 | nA μA |
| | Output Leakage Current, SHDN | $V_{PIN5} = 2\text{V}$, No Load (Note 6) | ● | | 0.05 1 | μA |
| | Maximum Shutdown Pin Current | $V_{PIN5} = 32\text{V}$, No Load (Note 5) | ● | | 27 150 | μA |
| t_{ON} | Turn-On Time | $V_{PIN5} = 5\text{V}$ to $0\text{V}, R_L = 10\text{k}$ | | | 120 | μs |
| t_{OFF} | Turn-Off Time | $V_{PIN5} = 0\text{V}$ to $5\text{V}, R_L = 10\text{k}$ | | | 2.5 | μs |

3V AND 5V ELECTRICAL CHARACTERISTICS

The ● denotes the specifications which apply over the full operating temperature range of $-40^{\circ}\text{C} \leq T_A \leq 85^{\circ}\text{C}$.
 $V_S = 3\text{V}, 0\text{V}; V_S = 5\text{V}, 0\text{V}; V_{CM} = V_{OUT} = \text{half supply unless otherwise specified. (Note 4)}$

| SYMBOL | PARAMETER | CONDITIONS | LT1636C/LT1636I | | | UNITS |
|--------|------------------------------------|--|-----------------|------|-----|------------------|
| | | | MIN | TYP | MAX | |
| GBW | Gain Bandwidth Product (Note 5) | $f = 1\text{kHz}$ | 110 | 200 | | kHz |
| | | $0^{\circ}\text{C} \leq T_A \leq 70^{\circ}\text{C}$ | ● 100 | | | kHz |
| | | $-40^{\circ}\text{C} \leq T_A \leq 85^{\circ}\text{C}$ | ● 90 | | | kHz |
| SR | Slew Rate (Note 7) | $A_V = -1, R_L = \infty$ | 0.035 | 0.07 | | V/ μs |
| | | $0^{\circ}\text{C} \leq T_A \leq 70^{\circ}\text{C}$ | ● 0.031 | | | V/ μs |
| | | $-40^{\circ}\text{C} \leq T_A \leq 85^{\circ}\text{C}$ | ● 0.030 | | | V/ μs |

±15V ELECTRICAL CHARACTERISTICS

The ● denotes the specifications which apply over the full operating temperature range of $-40^{\circ}\text{C} \leq T_A \leq 85^{\circ}\text{C}$.
 $V_S = \pm 15\text{V}, V_{CM} = 0\text{V}, V_{OUT} = 0\text{V}, V_{SHDN} = V^- \text{ unless otherwise specified. (Note 4)}$

| SYMBOL | PARAMETER | CONDITIONS | LT1636C/LT1636I | | | UNITS |
|-----------|-------------------------------------|---|-----------------|---------|--------|--------------------------------|
| | | | MIN | TYP | MAX | |
| V_{OS} | Input Offset Voltage | N8 Package | | 100 | 450 | μV |
| | | $0^{\circ}\text{C} \leq T_A \leq 70^{\circ}\text{C}$ | ● | | 550 | μV |
| | | $-40^{\circ}\text{C} \leq T_A \leq 85^{\circ}\text{C}$ | ● | | 700 | μV |
| | | S8 Package | | 100 | 450 | μV |
| | | $0^{\circ}\text{C} \leq T_A \leq 70^{\circ}\text{C}$ | ● | | 750 | μV |
| | | $-40^{\circ}\text{C} \leq T_A \leq 85^{\circ}\text{C}$ | ● | | 900 | μV |
| | | MS8 Package | | 100 | 450 | μV |
| | | $0^{\circ}\text{C} \leq T_A \leq 70^{\circ}\text{C}$ | ● | | 850 | μV |
| | | $-40^{\circ}\text{C} \leq T_A \leq 85^{\circ}\text{C}$ | ● | | 1200 | μV |
| | | DD Package | | 125 | 650 | μV |
| | | $0^{\circ}\text{C} \leq T_A \leq 70^{\circ}\text{C}$ | ● | | 1050 | μV |
| | | $-40^{\circ}\text{C} \leq T_A \leq 85^{\circ}\text{C}$ | ● | | 1200 | μV |
| | Input Offset Voltage Drift (Note 9) | N8 Package, $-40^{\circ}\text{C} \leq T_A \leq 85^{\circ}\text{C}$ | ● | 1 | 4 | $\mu\text{V}/^{\circ}\text{C}$ |
| | | S8 Package, $-40^{\circ}\text{C} \leq T_A \leq 85^{\circ}\text{C}$ | ● | 2 | 8 | $\mu\text{V}/^{\circ}\text{C}$ |
| | | MS8 Package, $-40^{\circ}\text{C} \leq T_A \leq 85^{\circ}\text{C}$ | ● | 2 | 10 | $\mu\text{V}/^{\circ}\text{C}$ |
| | | DD Package, $-40^{\circ}\text{C} \leq T_A \leq 85^{\circ}\text{C}$ | ● | 2 | 10 | $\mu\text{V}/^{\circ}\text{C}$ |
| I_{OS} | Input Offset Current | | ● | 0.2 | 1.0 | nA |
| I_B | Input Bias Current | | ● | 4 | 10 | nA |
| | Input Noise Voltage | 0.1Hz to 10Hz | | 1 | | μV_{p-p} |
| e_n | Input Noise Voltage Density | $f = 1\text{kHz}$ | | 52 | | $\text{nV}/\sqrt{\text{Hz}}$ |
| i_n | Input Noise Current Density | $f = 1\text{kHz}$ | | 0.035 | | $\text{pA}/\sqrt{\text{Hz}}$ |
| R_{IN} | Input Resistance | Differential | 5.2 | 13 | | $\text{M}\Omega$ |
| | | Common Mode, $V_{CM} = -15\text{V to } 14\text{V}$ | | 12000 | | $\text{M}\Omega$ |
| C_{IN} | Input Capacitance | | | 4 | | pF |
| | Input Voltage Range | | ● | -15 | 29 | V |
| CMRR | Common Mode Rejection Ratio | $V_{CM} = -15\text{V to } 29\text{V}$ | ● | 86 | 103 | dB |
| A_{VOL} | Large-Signal Voltage Gain | $V_O = \pm 14\text{V}, R_L = 10\text{k}$ | | 100 | 500 | V/mV |
| | | $0^{\circ}\text{C} \leq T_A \leq 70^{\circ}\text{C}$ | ● | 75 | | V/mV |
| | | $-40^{\circ}\text{C} \leq T_A \leq 85^{\circ}\text{C}$ | ● | 50 | | V/mV |
| V_{OL} | Output Voltage Swing LOW | No Load | ● | -14.997 | -14.95 | V |
| | | $I_{SINK} = 5\text{mA}$ | ● | -14.500 | -14.07 | V |
| | | $I_{SINK} = 10\text{mA}$ | ● | -14.125 | -13.35 | V |
| V_{OH} | Output Voltage Swing HIGH | No Load | ● | 14.9 | 14.975 | V |
| | | $I_{SOURCE} = 5\text{mA}$ | ● | 14.5 | 14.750 | V |
| | | $I_{SOURCE} = 10\text{mA}$ | ● | 14.3 | 14.650 | V |

±15V ELECTRICAL CHARACTERISTICS

The ● denotes the specifications which apply over the full operating temperature range of $-40^{\circ}\text{C} \leq T_A \leq 85^{\circ}\text{C}$, otherwise specifications are at $T_A = 25^{\circ}\text{C}$. $V_S = \pm 15\text{V}$, $V_{CM} = 0\text{V}$, $V_{OUT} = 0\text{V}$, $V_{SHDN} = V^-$ unless otherwise specified. (Note 4)

| SYMBOL | PARAMETER | CONDITIONS | LT1636C/LT1636I | | | UNITS | |
|------------|--------------------------------|--|-----------------|--------|-------|-------|----|
| | | | MIN | TYP | MAX | | |
| I_{SC} | Short-Circuit Current (Note 2) | Short to GND $0^{\circ}\text{C} \leq T_A \leq 70^{\circ}\text{C}$ $-40^{\circ}\text{C} \leq T_A \leq 85^{\circ}\text{C}$ | ● | ±18 | ±30 | mA | |
| | | | ● | ±15 | | mA | |
| | | | ● | ±10 | | mA | |
| PSRR | Power Supply Rejection Ratio | $V_S = \pm 1.35\text{V to } \pm 22\text{V}$ | ● | 90 | 114 | dB | |
| I_S | Supply Current | | ● | | 50 | 70 | μA |
| | | | ● | | | 85 | μA |
| I_{SHDN} | Shutdown Pin Current | $V_{PIN5} = -20\text{V}$, $V_S = \pm 22\text{V}$, No Load $V_{PIN5} = -20\text{V}$, $V_S = \pm 22\text{V}$, No Load | ● | | 12 | 30 | μA |
| | | | ● | | 0.7 | 15 | nA |
| I_{SHDN} | Maximum Shutdown Pin Current | $V_{PIN5} = 32\text{V}$, $V_S = \pm 22\text{V}$ | ● | | 1.2 | 8 | μA |
| | | | ● | | 27 | 150 | μA |
| GBW | Gain Bandwidth Product | $f = 1\text{kHz}$ $0^{\circ}\text{C} \leq T_A \leq 70^{\circ}\text{C}$ $-40^{\circ}\text{C} \leq T_A \leq 85^{\circ}\text{C}$ | ● | | 0.1 | 2 | μA |
| | | | ● | | 0.1 | 2 | μA |
| SR | Slew Rate | $A_V = -1$, $R_L = \infty$, $V_O = \pm 10\text{V}$ Measured at $\pm 5\text{V}$ $0^{\circ}\text{C} \leq T_A \leq 70^{\circ}\text{C}$ $-40^{\circ}\text{C} \leq T_A \leq 85^{\circ}\text{C}$ | ● | 125 | 220 | kHz | |
| | | | ● | 110 | | kHz | |
| | | | ● | 100 | | kHz | |
| SR | Slew Rate | $A_V = -1$, $R_L = \infty$, $V_O = \pm 10\text{V}$ Measured at $\pm 5\text{V}$ $0^{\circ}\text{C} \leq T_A \leq 70^{\circ}\text{C}$ $-40^{\circ}\text{C} \leq T_A \leq 85^{\circ}\text{C}$ | ● | 0.0375 | 0.075 | V/μs | |
| | | | ● | 0.033 | | V/μs | |
| | | | ● | 0.030 | | V/μs | |

3V AND 5V ELECTRICAL CHARACTERISTICS

The ● denotes the specifications which apply over the full operating temperature range of $-40^{\circ}\text{C} \leq T_A \leq 125^{\circ}\text{C}$. $V_S = 3\text{V}$, 0V ; $V_S = 5\text{V}$, 0V ; $V_{CM} = V_{OUT} = \text{half supply}$ unless otherwise specified. (Note 4)

| SYMBOL | PARAMETER | CONDITIONS | LT1636H | | | UNITS | |
|-----------|--------------------------------------|--|---------|-------|------|-------|-------|
| | | | MIN | TYP | MAX | | |
| V_{OS} | Input Offset Voltage | | ● | | 50 | 325 | μV |
| | | | ● | | | 3 | mV |
| | Input Offset Voltage Drift (Note 9) | | ● | | 3 | 10 | μV/°C |
| I_{OS} | Input Offset Current | $V_{CM} = 44\text{V}$ (Note 5) | ● | | | 3 | nA |
| | | | ● | | | 1 | μA |
| I_B | Input Bias Current | $V_{CM} = 44\text{V}$ (Note 5) | ● | | | 30 | nA |
| | | | ● | | | 10 | μA |
| | Input Voltage Range | | ● | 0.3 | | 44 | V |
| CMRR | Common Mode Rejection Ratio (Note 5) | $V_{CM} = 0.3\text{V to } V_{CC} - 1\text{V}$ $V_{CM} = 0.3\text{V to } 44\text{V}$ | ● | 72 | | | dB |
| | | | ● | 74 | | | dB |
| A_{VOL} | Large-Signal Voltage Gain | $V_S = 3\text{V}$, $V_O = 500\text{mV to } 2.5\text{V}$, $R_L = 10\text{k}$ | ● | 200 | 1300 | | V/mV |
| | | $V_S = 5\text{V}$, $V_O = 500\text{mV to } 4.5\text{V}$, $R_L = 10\text{k}$ | ● | 20 | | | V/mV |
| V_{OL} | Output Voltage Swing LOW | No Load $I_{SINK} = 2.5\text{mA}$ | ● | | | 15 | mV |
| | | | ● | | | 875 | mV |
| V_{OH} | Output Voltage Swing HIGH | $V_S = 3\text{V}$, No Load $V_S = 3\text{V}$, $I_{SOURCE} = 5\text{mA}$ | ● | 2.925 | | | V |
| | | | ● | 2.35 | | | V |
| | | | ● | 4.925 | | | V |
| | | | ● | 4.10 | | | V |
| PSRR | Power Supply Rejection Ratio | $V_S = 2.7\text{V to } 12.5\text{V}$, $V_{CM} = V_O = 1\text{V}$ | ● | 80 | | | dB |
| | Minimum Supply Voltage | | ● | 2.7 | | | V |

3V AND 5V ELECTRICAL CHARACTERISTICS

The ● denotes the specifications which apply over the full operating temperature range of $-40^{\circ}\text{C} \leq T_A \leq 125^{\circ}\text{C}$.
 $V_S = 3\text{V}, 0\text{V}; V_S = 5\text{V}, 0\text{V}; V_{\text{CM}} = V_{\text{OUT}} = \text{half supply unless otherwise specified. (Note 4)}$

| SYMBOL | PARAMETER | CONDITIONS | LT1636H | | | UNITS |
|-----------------|------------------------------|--|---------|----------------|----------|--|
| | | | MIN | TYP | MAX | |
| I_S | Reverse Supply Voltage | $I_S = -100\mu\text{A}$ | ● | 25 | | V |
| | Supply Current | (Note 6) | ● | 42 | 55 75 | μA μA |
| I_{SD} | Supply Current, SHDN | $V_{\text{PIN5}} = 2\text{V}$, No Load (Note 6) | ● | | 15 | μA |
| | Shutdown Pin Current | $V_{\text{PIN5}} = 0.3\text{V}$, No Load (Note 6) | ● | | 200 | nA |
| | | $V_{\text{PIN5}} = 2\text{V}$, No Load (Note 5) | ● | | 7 | μA |
| | Output Leakage Current, SHDN | $V_{\text{PIN5}} = 2\text{V}$, No Load (Note 6) | ● | | 5 | μA |
| GBW | Maximum Shutdown Pin Current | $V_{\text{PIN5}} = 32\text{V}$, No Load (Note 5) | ● | | 200 | μA |
| | Gain Bandwidth Product | $f = 1\text{kHz}$ (Note 5) | ● | 110 60 | 200 | kHz kHz |
| SR | Slew Rate | $A_V = -1, R_L = \infty$ (Note 7) | ● | 0.035 0.015 | 0.07 | $\text{V}/\mu\text{s}$ $\text{V}/\mu\text{s}$ |

$\pm 15\text{V}$ ELECTRICAL CHARACTERISTICS

The ● denotes the specifications which apply over the full operating temperature range of $-40^{\circ}\text{C} \leq T_A \leq 125^{\circ}\text{C}$.
 $V_S = \pm 15\text{V}, V_{\text{CM}} = 0\text{V}, V_{\text{OUT}} = 0\text{V}, V_{\text{SHDN}} = V^-$ unless otherwise specified. (Note 4)

| SYMBOL | PARAMETER | CONDITIONS | LT1636H | | | UNITS |
|-------------------|-------------------------------------|---|---------|----------------|--------------------------|--|
| | | | MIN | TYP | MAX | |
| V_{OS} | Input Offset Voltage | | ● | 100 | 550 3.4 | μV mV |
| | Input Offset Voltage Drift (Note 9) | | ● | 3 | 11 | $\mu\text{V}/^{\circ}\text{C}$ |
| I_{OS} | Input Offset Current | | ● | | 5 | nA |
| I_B | Input Bias Current | | ● | | 50 | nA |
| CMRR | Common Mode Rejection Ratio | $V_{\text{CM}} = -14.7\text{V}$ to 29V | ● | 72 | | dB |
| A_{VOL} | Large-Signal Voltage Gain | $V_0 = \pm 14\text{V}, R_L = 10\text{k}$ | ● | 100 4 | 500 | V/mV V/mV |
| | Output Voltage Swing | No Load $I_{\text{OUT}} = \pm 2.5\text{mA}$ | ● ● | | ± 14.8 ± 14.3 | V V |
| PSRR | Power Supply Rejection Ratio | $V_S = \pm 1.35\text{V}$ to $\pm 22\text{V}$ | ● | 84 | | dB |
| | Minimum Supply Voltage | | ● | ± 1.35 | | V |
| I_S | Supply Current | | ● | 50 | 70 100 | μA μA |
| | Positive Supply Current, SHDN | $V_{\text{PIN5}} = -20\text{V}, V_S = \pm 22\text{V}$, No Load | ● | | 40 | μA |
| I_{SHDN} | Shutdown Pin Current | $V_{\text{PIN5}} = -21.7\text{V}, V_S = \pm 22\text{V}$, No Load | ● | | 200 | nA |
| | | $V_{\text{PIN5}} = -20\text{V}, V_S = \pm 22\text{V}$, No Load | ● | | 10 | μA |
| | Maximum Shutdown Pin Current | $V_{\text{PIN5}} = 32\text{V}, V_S = \pm 22\text{V}$ | ● | | 200 | μA |
| V_L | Output Leakage Current, SHDN | $V_{\text{PIN5}} = -20\text{V}, V_S = \pm 22\text{V}$, No Load | ● | | 100 | μA |
| | Shutdown Pin Input Low Voltage | $V_S = \pm 22\text{V}$ | ● | | -21.7 | V |
| V_H | Shutdown Pin Input High Voltage | $V_S = \pm 22\text{V}$ | ● | -20 | | V |
| GBW | Gain Bandwidth Product | $f = 1\text{kHz}$ | ● | 125 75 | 220 | kHz kHz |
| | Slew Rate | $A_V = -1, R_L = \infty, V_0 = \pm 10\text{V}$ Measured at $V_0 = \pm 5\text{V}$ | ● | 0.0375 0.02 | 0.075 | $\text{V}/\mu\text{s}$ $\text{V}/\mu\text{s}$ |

ELECTRICAL CHARACTERISTICS

Note 1: Absolute Maximum Ratings are those values beyond which the life of a device may be impaired.

Note 2: A heat sink may be required to keep the junction temperature below absolute maximum. The θ_{JA} specified for the DD package is with minimal PCB heat spreading metal. A significant reduction in θ_{JA} can be obtained with expanded PCB metal area on all layers of a board.

Note 3: The LT1636C and LT1636I are guaranteed functional over the operating temperature range of -40°C to 85°C . The LT1636H is guaranteed functional over the operating temperature range of -40°C to 125°C .

Note 4: The LT1636C is guaranteed to meet specified performance from 0°C to 70°C . The LT1636C is designed, characterized and expected to meet specified performance from -40°C to 85°C but is not tested or QA

sampled at these temperatures. The LT1636I is guaranteed to meet specified performance from -40°C to 85°C . The LT1636H is guaranteed to meet specified performance from -40°C to 125°C .

Note 5: $V_S = 5\text{V}$ limits are guaranteed by correlation to $V_S = 3\text{V}$ and $V_S = \pm 15\text{V}$ or $V_S = \pm 22\text{V}$ tests.

Note 6: $V_S = 3\text{V}$ limits are guaranteed by correlation to $V_S = 5\text{V}$ and $V_S = \pm 15\text{V}$ or $V_S = \pm 22\text{V}$ tests.

Note 7: Guaranteed by correlation to slew rate at $V_S = \pm 15\text{V}$ and GBW at $V_S = 3\text{V}$ and $V_S = \pm 15\text{V}$ tests.

Note 8: This specification implies a typical input offset voltage of $600\mu\text{V}$ at $V_{CM} = 44\text{V}$ and a maximum input offset voltage of 3mV at $V_{CM} = 44\text{V}$.

Note 9: This parameter is not 100% tested.

TYPICAL PERFORMANCE CHARACTERISTICS

Supply Current vs Supply Voltage



1636 G01

Minimum Supply Voltage



1636 G02

Input Bias Current vs Common Mode Voltage



1636 G03

Output Saturation Voltage vs Load Current (Output High)



1636 G04

Output Saturation Voltage vs Load Current (Output Low)



1636 G05

Output Saturation Voltage vs Input Overdrive



1636 G06

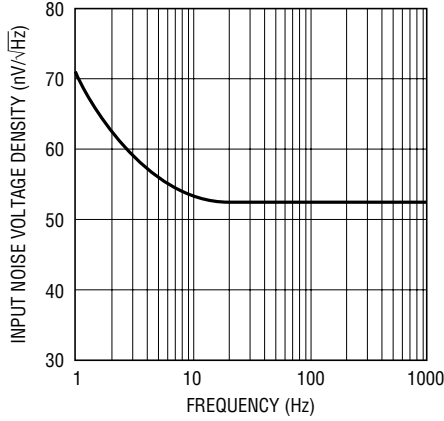
TYPICAL PERFORMANCE CHARACTERISTICS

0.1Hz to 10Hz Noise Voltage



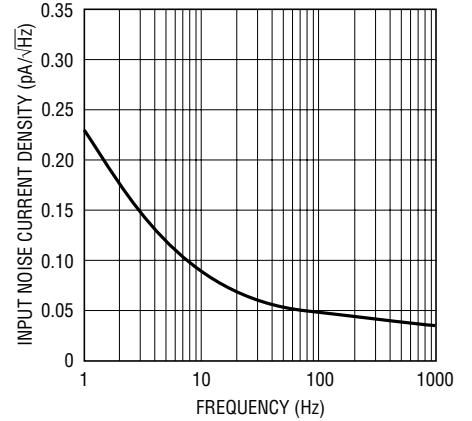
1636 G07

Noise Voltage Density vs Frequency



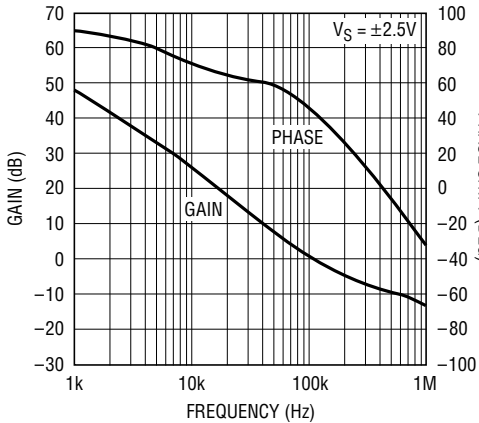
1636 G08

Input Noise Current vs Frequency



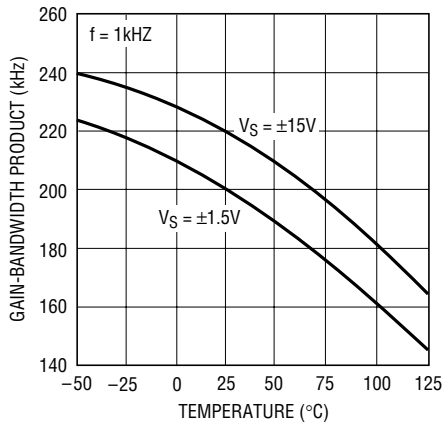
1636 G09

Open-Loop Gain and Phase Shift vs Frequency



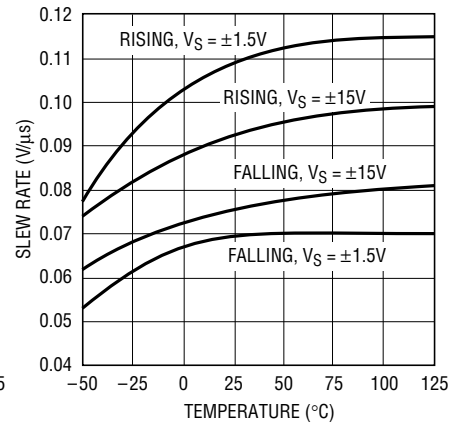
1636 G10

Gain-Bandwidth Product vs Temperature



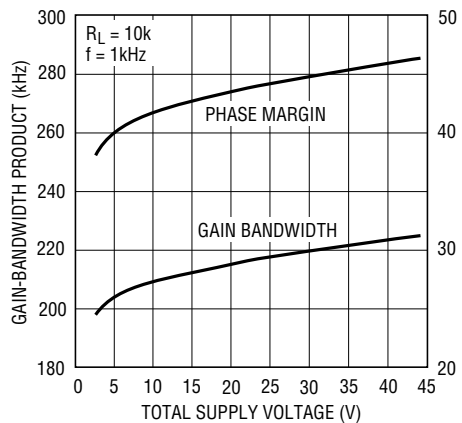
1636 G11

Slew Rate vs Temperature



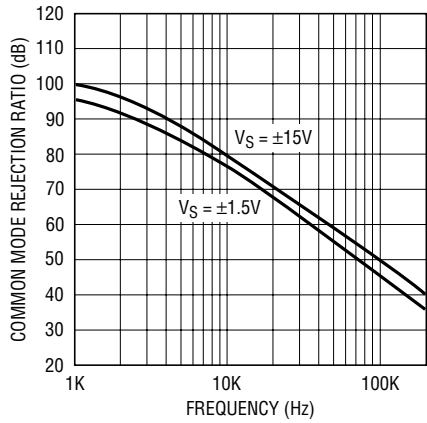
1636 G12

Gain-Bandwidth Product and Phase Margin vs Supply Voltage



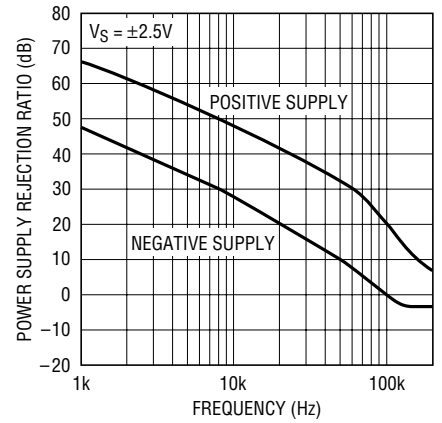
1636 G13

CMRR vs Frequency



1636 G14

PSRR vs Frequency



1636 G15

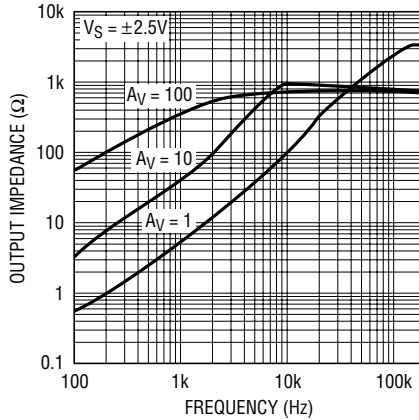
TYPICAL PERFORMANCE CHARACTERISTICS

Gain-Bandwidth Product and Phase Margin vs Load Resistance



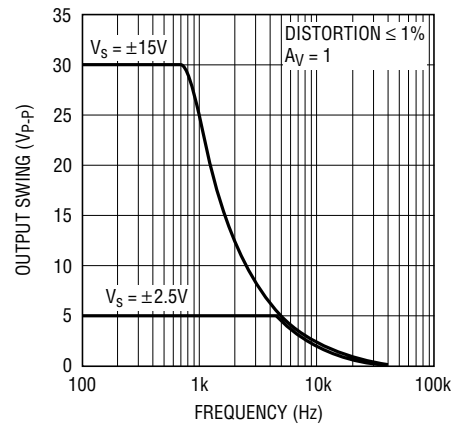
1636 G16

Output Impedance vs Frequency



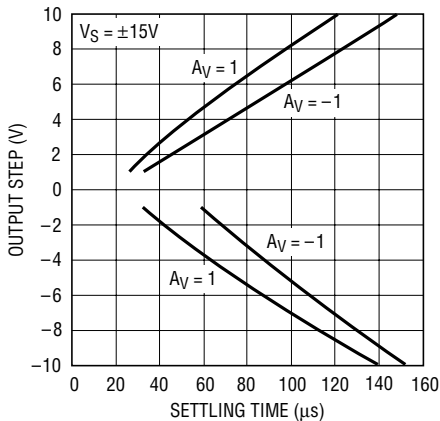
1635 G17

Undistorted Output Swing vs Frequency



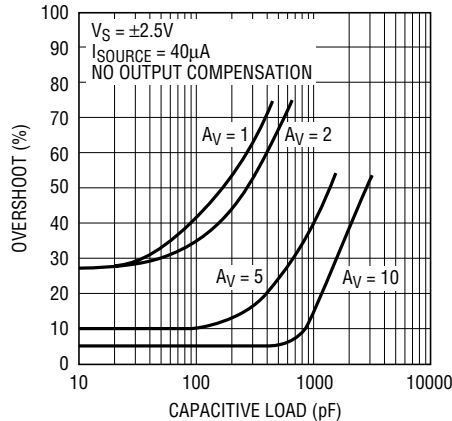
1635 G18

Settling Time to 0.1% vs Output Step



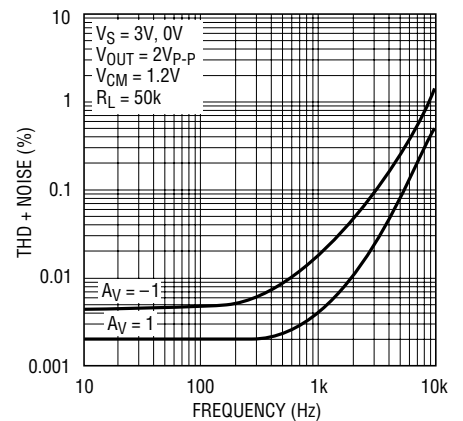
1636 G19

Capacitive Load Handling, Overshoot vs Capacitive Load



1636 G20

Total Harmonic Distortion + Noise vs Frequency



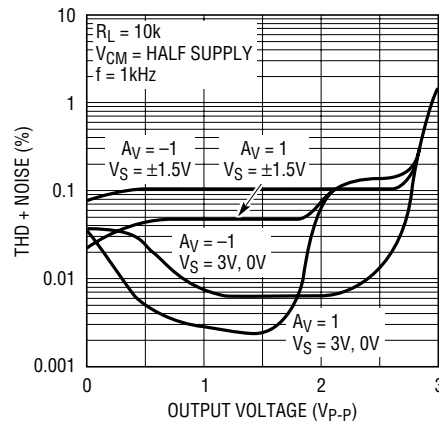
1636 G21

Total Harmonic Distortion + Noise vs Load Resistance



1636 G22

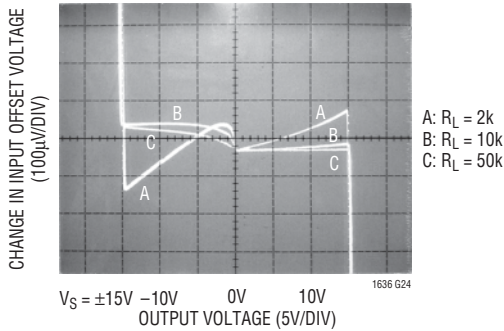
Total Harmonic Distortion + Noise vs Output Voltage



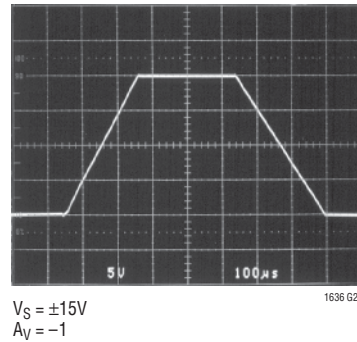
1636 G23

TYPICAL PERFORMANCE CHARACTERISTICS

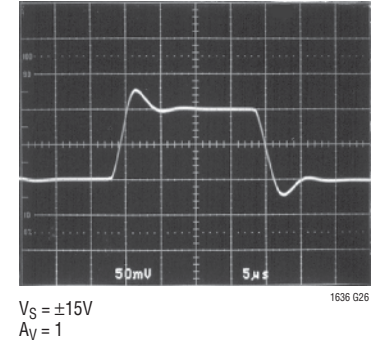
Open-Loop Gain



Large-Signal Response



Small-Signal Response



APPLICATIONS INFORMATION

Supply Voltage

The positive supply pin of the LT1636 should be bypassed with a small capacitor (about $0.01\mu F$) within an inch of the pin. When driving heavy loads an additional $4.7\mu F$ electrolytic capacitor should be used. When using split supplies, the same is true for the negative supply pin.

The LT1636 is protected against reverse battery voltages up to 27V. In the event a reverse battery condition occurs, the supply current is less than 1nA.

When operating the LT1636 on total supplies of 20V or more, the supply must not be brought up faster than $1\mu s$. This is especially true if low ESR bypass capacitors are used. A series RLC circuit is formed from the supply lead inductance and the bypass capacitor. 5Ω of resistance in the supply or the bypass capacitor will dampen the tuned circuit enough to limit the rise time.

Inputs

The LT1636 has two input stages, NPN and PNP (see Simplified Schematic), resulting in three distinct operating regions as shown in the Input Bias Current vs Common Mode typical performance curve.

For input voltages about 0.8V or more below V^+ , the PNP input stage is active and the input bias current is typically $-4nA$. When the input voltage is about 0.5V or less from V^+ , the NPN input stage is operating and the input bias current is typically 10nA. Increases in temperature will

cause the voltage at which operation switches from the PNP stage to the NPN stage to move towards V^+ . The input offset voltage of the NPN stage is untrimmed and is typically $600\mu V$.

A Schottky diode in the collector of each NPN transistor of the NPN input stage allows the LT1636 to operate with either or both of its inputs above V^+ . At about 0.3V above V^+ the NPN input transistor is fully saturated and the input bias current is typically $3\mu A$ at room temperature. The input offset voltage is typically $600\mu V$ when operating above V^+ . The LT1636 will operate with its input 44V above V^- regardless of V^+ .

The inputs are protected against excursions as much as 22V below V^- by an internal 1k resistor in series with each input and a diode from the input to the negative supply. There is no output phase reversal for inputs up to 5V below V^- . There are no clamping diodes between the inputs and the maximum differential input voltage is 44V.

Output

The output voltage swing of the LT1636 is affected by input overdrive as shown in the typical performance curves. When monitoring voltages within 100mV of V^+ , gain should be taken to keep the output from clipping.

The output of the LT1636 can be pulled up to 27V beyond V^+ with less than 1nA of leakage current, provided that V^+ is less than 0.5V.

APPLICATIONS INFORMATION

The normally reverse biased substrate diode from the output to V^- will cause unlimited currents to flow when the output is forced below V^- . If the current is transient and limited to 100mA, no damage will occur.

The LT1636 is internally compensated to drive at least 200pF of capacitance under any output loading conditions. A 0.22 μ F capacitor in series with a 150 Ω resistor between the output and ground will compensate these amplifiers for larger capacitive loads, up to 10,000pF, at all output currents.

Distortion

There are two main contributors of distortion in op amps: output crossover distortion as the output transitions from sourcing to sinking current and distortion caused by nonlinear common mode rejection. Of course, if the op amp is operating inverting there is no common mode induced distortion. When the LT1636 switches between input stages there is significant nonlinearity in the CMRR. Lower load resistance increases the output crossover distortion, but has no effect on the input stage transition distortion. For lowest distortion the LT1636 should be operated single supply, with the output always sourcing current and with the input voltage swing between ground and ($V^+ - 0.8V$). See the Typical Performance Characteristics curves.

Gain

The open-loop gain is less sensitive to load resistance when the output is sourcing current. This optimizes performance in single supply applications where the load is

returned to ground. The typical performance photo of Open-Loop Gain for various loads shows the details.

Shutdown

The LT1636 can be shut down two ways: using the shutdown pin or bringing V^+ to within 0.5V of V^- . When V^+ is brought to within 0.5V of V^- both the supply current and output leakage current drop to less than 1nA. When the shutdown pin is brought 1.2V above V^- , the supply current drops to about 4 μ A and the output leakage current is less than 1 μ A, independent of V^+ . In either case the input bias current is less than 0.1nA (even if the inputs are 44V above the negative supply).

The shutdown pin can be taken up to 32V above V^- . The shutdown pin can be driven below V^- , however the pin current through the substrate diode should be limited with an external resistor to less than 10mA.

Input Offset Nulling

The input offset voltage can be nulled by placing a 10k potentiometer between Pins 1 and 8 with its wiper to V^- (see Figure 1). The null range will be at least $\pm 1mV$.



Figure 1. Input Offset Nulling

TYPICAL APPLICATIONS

MUX Amplifier



MUX Amplifier Waveforms



$V_S = 5V$
 $V_{IN1} = 1.2kHz$ AT $4V_{p-p}$, $V_{IN2} = 2.4kHz$ AT $2V_{p-p}$
 INPUT SELECT = $120Hz$ AT $5V_{p-p}$

Optional Output Compensation for Capacitive Loads Greater Than 200pF



SIMPLIFIED SCHEMATIC



PACKAGE DESCRIPTION

DD Package 8-Lead Plastic DFN (3mm × 3mm) (Reference LTC DWG # 05-08-1698)

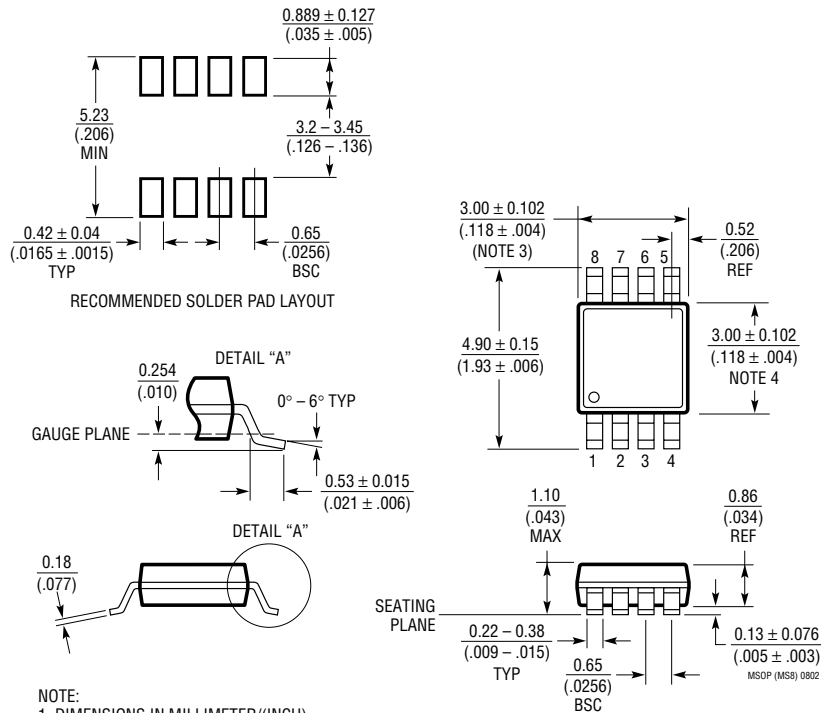


RECOMMENDED SOLDER PAD PITCH AND DIMENSIONS

NOTE:

1. DRAWING TO BE MADE A JEDEC PACKAGE OUTLINE M0-229 VARIATION OF (WEED-1)
2. ALL DIMENSIONS ARE IN MILLIMETERS
3. DIMENSIONS OF EXPOSED PAD ON BOTTOM OF PACKAGE DO NOT INCLUDE MOLD FLASH. MOLD FLASH, IF PRESENT, SHALL NOT EXCEED 0.15mm ON ANY SIDE
4. EXPOSED PAD SHALL BE SOLDER PLATED

MS8 Package 8-Lead Plastic MSOP (Reference LTC DWG # 05-08-1660)



NOTE:

1. DIMENSIONS IN MILLIMETER/(INCH)
2. DRAWING NOT TO SCALE
3. DIMENSION DOES NOT INCLUDE MOLD FLASH, PROTRUSIONS OR GATE BURRS. MOLD FLASH, PROTRUSIONS OR GATE BURRS SHALL NOT EXCEED 0.152mm (.006") PER SIDE
4. DIMENSION DOES NOT INCLUDE INTERLEAD FLASH OR PROTRUSIONS. INTERLEAD FLASH OR PROTRUSIONS SHALL NOT EXCEED 0.152mm (.006") PER SIDE
5. LEAD COPLANARITY (BOTTOM OF LEADS AFTER FORMING) SHALL BE 0.102mm (.004") MAX

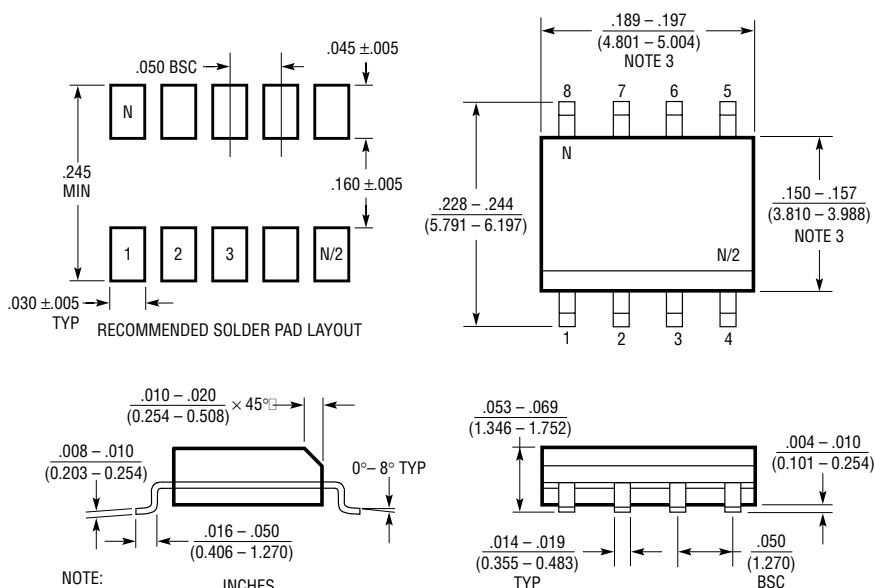
PACKAGE DESCRIPTION

N8 Package 8-Lead PDIP (Narrow .300 Inch) (Reference LTC DWG # 05-08-1510)



NOTE:
1. DIMENSIONS ARE $\frac{\text{INCHES}}{\text{MILLIMETERS}}$
*THESE DIMENSIONS DO NOT INCLUDE MOLD FLASH OR PROTRUSIONS.
MOLD FLASH OR PROTRUSIONS SHALL NOT EXCEED .010 INCH (0.254mm)

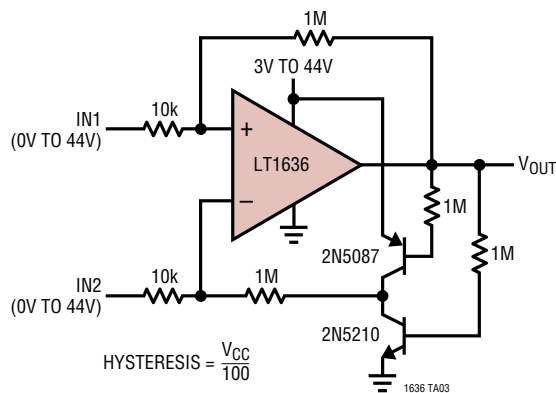
S8 Package 8-Lead Plastic Small Outline (Narrow .150 Inch) (Reference LTC DWG # 05-08-1610)



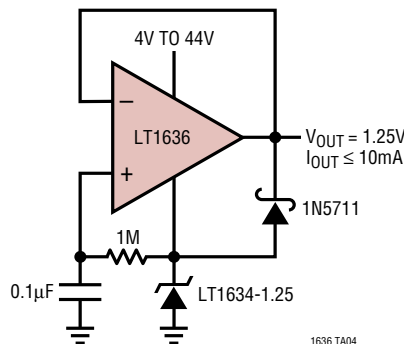
NOTE:
1. DIMENSIONS IN $\frac{\text{INCHES}}{\text{MILLIMETERS}}$
2. DRAWING NOT TO SCALE
3. THESE DIMENSIONS DO NOT INCLUDE MOLD FLASH OR PROTRUSIONS.
MOLD FLASH OR PROTRUSIONS SHALL NOT EXCEED .006" (0.15mm)

TYPICAL APPLICATIONS

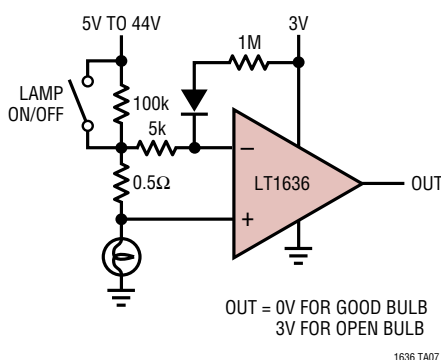
Over-The-Top Comparator with Hysteresis



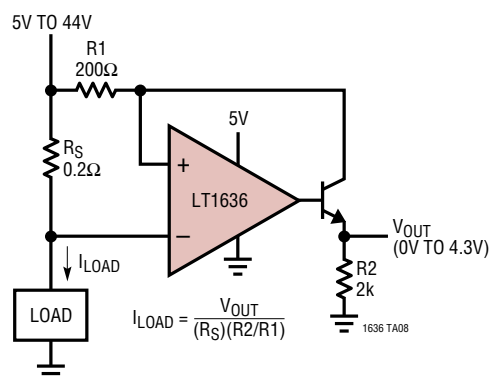
Self-Buffered Micropower Reference



Lamp Outage Detector



Over-The-Top Current Sense



RELATED PARTS

| PART NUMBER | DESCRIPTION | COMMENTS |
|--------------------------------|---|---|
| LT1078/LT1079 LT2078/LT2079 | Dual/Quad 55µA Max, Single Supply, Precision Op Amps | Input/Output Common Mode Includes Ground, 70µV $V_{OS(MAX)}$ and 2.5µV/°C Drift (Max), 200kHz GBW, 0.07V/µs Slew Rate |
| LT1178/LT1179 LT2178/LT2179 | Dual/Quad 17µA Max, Single Supply, Precision Op Amps | Input/Output Common Mode Includes Ground, 70µV $V_{OS(MAX)}$ and 4µV/°C Drift (Max), 85kHz GBW, 0.04V/µs Slew Rate |
| LT1366/LT1367 | Dual/Quad Precision, Rail-to-Rail Input and Output Op Amps | 475µV $V_{OS(MAX)}$, 500V/mV $A_{VOL(MIN)}$, 400kHz GBW |
| LT1490/LT1491 | Dual/Quad Over-The-Top Micropower, Rail-to-Rail Input and Output Op Amps | Single Supply Input Range: -0.4V to 44V, Micropower 50µA per Amplifier, Rail-to-Rail Input and Output, 200kHz GBW |
| LT1637 | Single Over-The-Top Micropower Rail-to-Rail Input and Output Op Amp | 1.1MHz, V_{CM} Extends 44V above V_{EE} , Independent of V_{CC} ; MSOP Package, Shutdown Function |
| LT1638/LT1639 | Dual/Quad 1.2MHz Over-The-Top Micropower, Rail-to-Rail Input and Output Op Amps | 0.4V/µs Slew Rate, 230µA Supply Current per Amplifier |
| LT1782 | Micropower, Over-The-Top, SOT-23, Rail-to-Rail Input and Output Op Amp | SOT-23, 800µV $V_{OS(MAX)}$, $I_S = 55µA$ (Max), Gain-Bandwidth = 200kHz, Shutdown Pin |
| LT1783 | 1.2MHz, Over-The-Top, Micropower, Rail-to-Rail Input and Output Op Amp | SOT-23, 800µV $V_{OS(MAX)}$, $I_S = 300µA$ (Max), Gain-Bandwidth = 1.2MHz, Shutdown Pin |

Данный компонент на территории Российской Федерации

Вы можете приобрести в компании MosChip.

Для оперативного оформления запроса Вам необходимо перейти по данной ссылке:

<http://moschip.ru/get-element>

Вы можете разместить у нас заказ для любого Вашего проекта, будь то серийное производство или разработка единичного прибора.

В нашем ассортименте представлены ведущие мировые производители активных и пассивных электронных компонентов.

Нашей специализацией является поставка электронной компонентной базы двойного назначения, продукции таких производителей как XILINX, Intel (ex.ALTERA), Vicor, Microchip, Texas Instruments, Analog Devices, Mini-Circuits, Amphenol, Glenair.

Сотрудничество с глобальными дистрибьюторами электронных компонентов, предоставляет возможность заказывать и получать с международных складов практически любой перечень компонентов в оптимальные для Вас сроки.

На всех этапах разработки и производства наши партнеры могут получить квалифицированную поддержку опытных инженеров.

Система менеджмента качества компании отвечает требованиям в соответствии с ГОСТ Р ИСО 9001, ГОСТ РВ 0015-002 и ЭС РД 009

Офис по работе с юридическими лицами:

105318, г.Москва, ул.Щербаковская д.3, офис 1107, 1118, ДЦ «Щербаковский»

Телефон: +7 495 668-12-70 (многоканальный)

Факс: +7 495 668-12-70 (доб.304)

E-mail: info@moschip.ru

Skype отдела продаж:

moschip.ru

moschip.ru_4

moschip.ru_6

moschip.ru_9