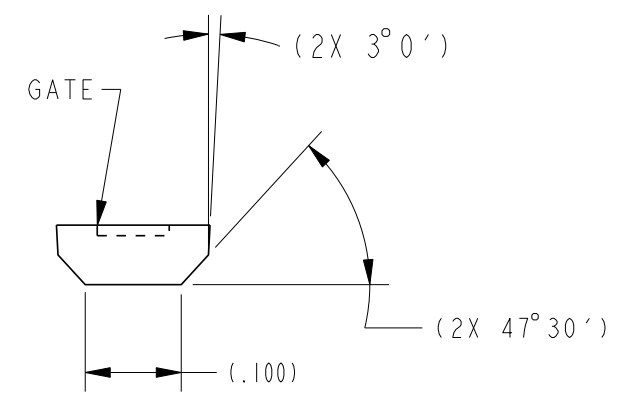
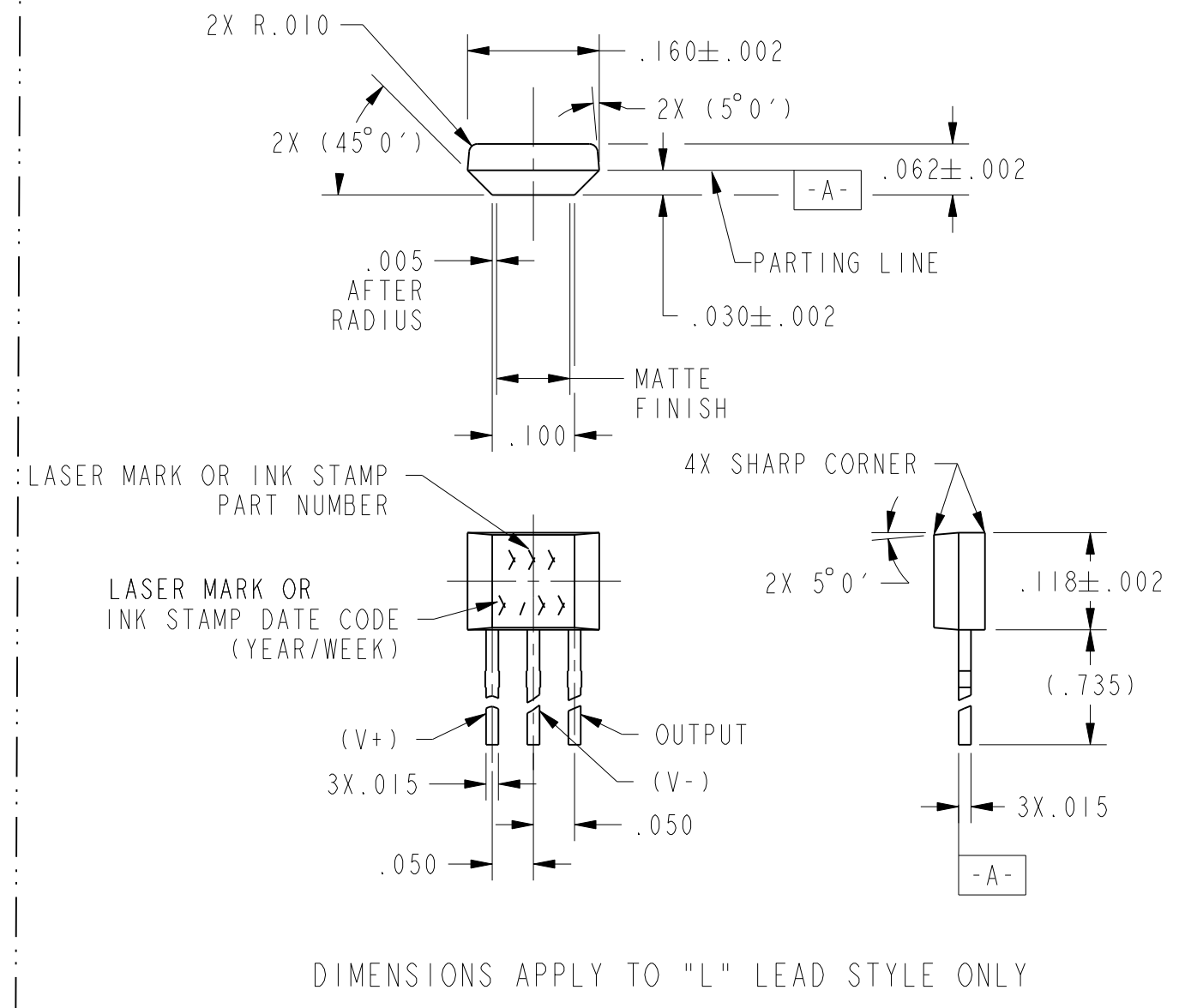


LEAD STYLES



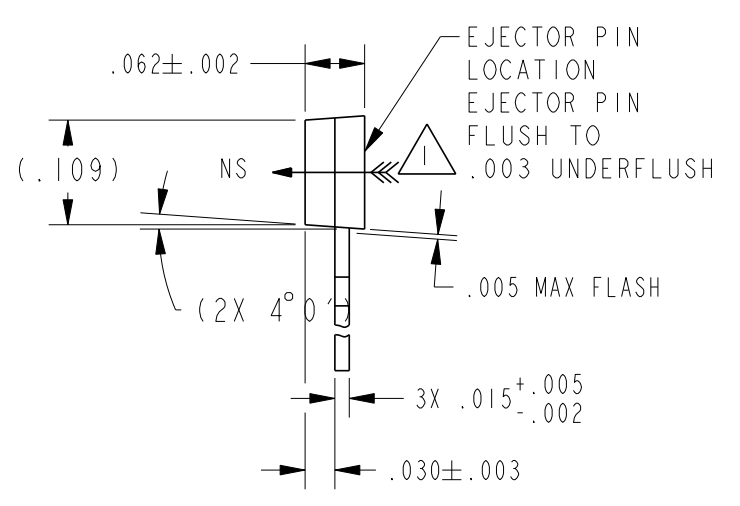
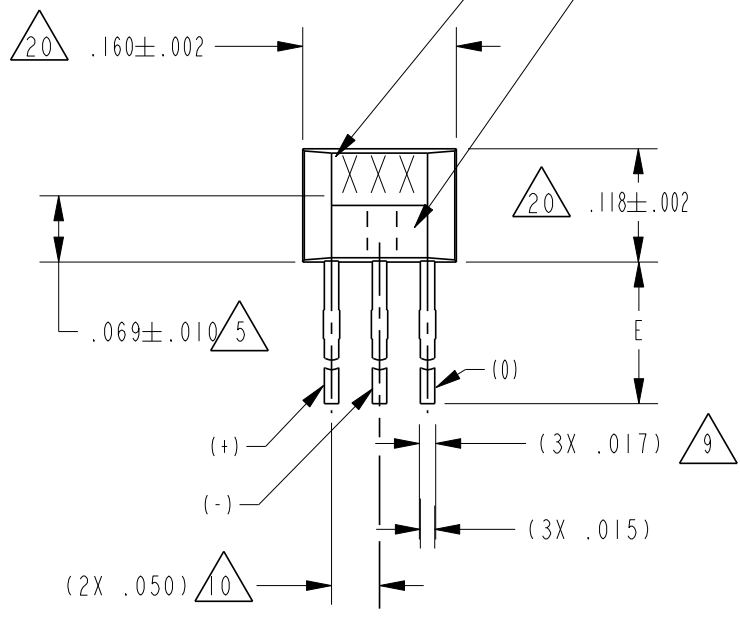
ALL EXCEPT "L" LEAD STYLES



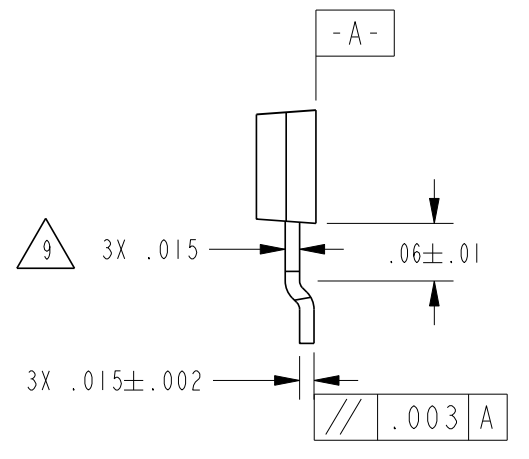
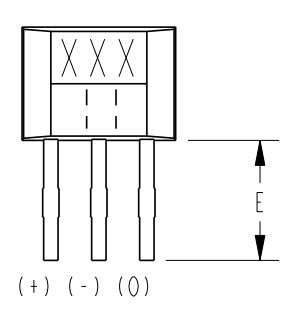
DIMENSIONS APPLY TO "L" LEAD STYLE ONLY

LASER MARK OR INK STAMP BRAND SYMBOL
.039 HIGH CHARACTERS

LASER MARK OR INK STAMP DATE CODE
(YEAR, WEEK) .039 HIGH CHARACTERS (3 DIGITS)



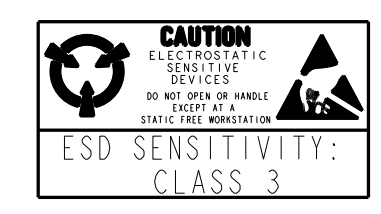
LEAD STYLES "STD", "R", "RP"



LEAD STYLES "S" & "SP"

NOTES

- 1 THE MAGNETIC FLUX USED TO OPERATE THE SWITCH MUST BE IN THE DIRECTION AND LOCATION SHOWN (THIS ASSUMES THE CONVENTION THAT THE DIRECTION OF THE EXTERNAL FLUX OF A MAGNET IS FROM THE NORTH TO THE SOUTH POLE OF THE MAGNET)
- 2 THE MAGNETIC FIELD STRENGTH (GAUSS) REQUIRED TO CAUSE THE SWITCH TO CHANGE STATE (OPERATE AND RELEASE) WILL BE AS TABULATED. TO TEST THE SWITCH AGAINST THE SPECIFIED LIMITS, THE SWITCH MUST BE PLACED IN A UNIFORM MAGNETIC FIELD
- 3 ABSOLUTE MAXIMUM RATINGS ARE THE EXTREME LIMITS THE DEVICE WILL MOMENTARILY WITHSTAND WITHOUT DAMAGE TO THE DEVICE. ELECTRICAL AND MAGNETIC CHARACTERISTICS ARE NOT GUARANTEED IF THE RATED VOLTAGE AND/OR CURRENTS ARE EXCEEDED NOR WILL THE DEVICE NECESSARILY OPERATE AT ABSOLUTE MAXIMUM RATINGS
- 4 TEST CONDITIONS: $V_{CC}=12V$, $R_2=1.6K$ OHMS, $C_2=20\mu f$
- 5 APPROXIMATE HALL ELEMENT LOCATION
- 6 LEADS MUST BE ADEQUATELY SUPPORTED DURING ANY FORMING/SHEERING OPERATION TO ASSURE THAT THE LEADS ARE NOT STRESSED WITHIN THE PLASTIC
- 7 PCB WAVE SOLDERING GUIDELINES ARE AS FOLLOWS:
250°C PEAK FOR 10 S MAX OR 260°C PEAK FOR 5S MAX
SOLDERING TIME
- 8 $V_{CC}=12V$, $R_1=1.6K$, $C_1=20\mu f$
- 9 BURRS ARE ALLOWED ONLY IF FULL LENGTH OF LEADS WILL PASS THROUGH $\varnothing.023$ HOLE. LEAD REFERENCE DIMENSIONS DO NOT INCLUDE SOLDER THICKNESS
- 10 DIMENSION REFERS TO THE LOCATION OF LEAD CENTERLINES AS THEY EXIT THE PLASTIC PACKAGE
- 11 TYPICAL DIMENSIONS NOT SHOWN IN LEAD STYLE "S" AND "SP"
- 12 SOME COMBINATIONS OF BASIC LISTING AND PACKING OPTIONS ARE NOT AVAILABLE
- 13 TAPE AND AMMOPACK PER EIA-468-A-1990
- 14 POCKET TAPE AND REEL PER EIA-481-A-1986
- 15 $V_{CC}=30V$, $I_{sink}=20mA$, $-40^\circ C < T < 150^\circ C$, B>MAX OP GAUSS FOR SPECIFIC LISTING
- 16 $V_{CC}=3.8V$, $I_{sink}=20mA$, B>MAX OP GAUSS FOR SPECIFIC LISTING
- 17 $V_{out}=30V$, $V_{CC}=24V$, B<MIN RELEASE GAUSS FOR SPECIFIC LISTING
- 18 AMMOPACK STYLE "T2" AND "T3". 24 SWITCHES BETWEEN FOLDS, SKIP 1 SPACE AT FOLD. MAY BE REFERRED TO AS "FAN FOLD"
- 19 LEAD STRAIGHTNESS MAY BE DETERIORATED ON SOME UNITS BY BULK PACKAGING. APPLICATIONS HAVING A CRITICAL LEAD STRAIGHTNESS REQUIREMENT SHOULD USE A TAPE PACKAGING OPTION
- 20 MOLDED PART DIMENSIONS DO NOT INCLUDE FLASH. FLASH IS LIMITED TO .005 MAX
- 21 THESE HALL EFFECT SENSORS MAY HAVE AN INITIAL OUTPUT IN EITHER THE ON OR OFF STATE IF POWERED UP WITH AN APPLIED MAGNETIC FIELD IN THE DIFFERENTIAL ZONE (APPLIED MAGNETIC FIELD $> B_{op}$ AND $< B_{op}$). MICRO SWITCH RECOMMENDS THAT THE APPLICATION CIRCUIT DESIGNER ALLOW 10 MICROSECONDS AFTER SUPPLY VOLTAGE HAS REACHED 5 VOLTS FOR THE OUTPUT VOLTAGE TO STABILIZE



| | | | |
|---|--------------------------|-------------------------------------|-------|
| THIRD ANGLE PROJECTION | | | |
| SCALE 5 : 1 | | | |
| DO NOT SCALE PRINT | | | |
| TOLERANCES APPLY TO DESIGN UNITS. CONVERSIONS ARE ONLY FOR REFERENCE. UNLESS NOTED, TOLERANCES ARE : | | | |
| DIM | TOL | DIM | TOL |
| NO PLACES | X | mm/10 | X.X |
| ONE PLACE | X.X | mm/100 | X.XX |
| TWO PLACES | X.XX | mm/1000 | X.XXX |
| THREE PLACES | X.XXX | | |
| ANGLES | | | |
| SI METRIC | | US CUSTOMARY | |
| DESIGN UNITS | <input type="checkbox"/> | <input checked="" type="checkbox"/> | |
| WEIGHT | | | |

THIS DRAWING COVERS A PROPRIETARY ITEM AND IS THE PROPERTY OF MICRO SWITCH, A DIVISION OF HONEYWELL. THIS DRAWING IS NOT TO BE COPIED OR USED WITHOUT THE APPROVAL OF MICRO SWITCH.

MICRO SWITCH a Honeywell Division

SOLID STATE SENSOR

SS400 SERIES CHART 1

CATALOG LISTING

ANSI Y14.5M-1982 APPLIES

FED. MFG. CODE 91929

SS400 SERIES CHART 1

ISSUE 16

REVISIONS

PTC/CAD 3D

GRT 26 MAR 02

SAV 26 MAR 02

RELEASE NO. PR-21345

PAGE 1 OF 4

REPLACES

CHECK

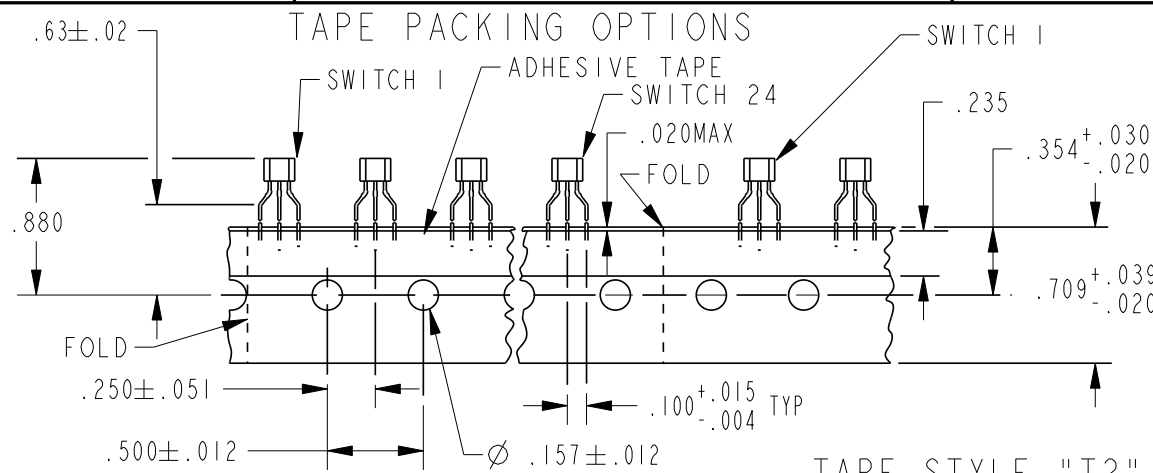
26 OCT 07

CATALOG LISTING
SS400 SERIES CHART 1

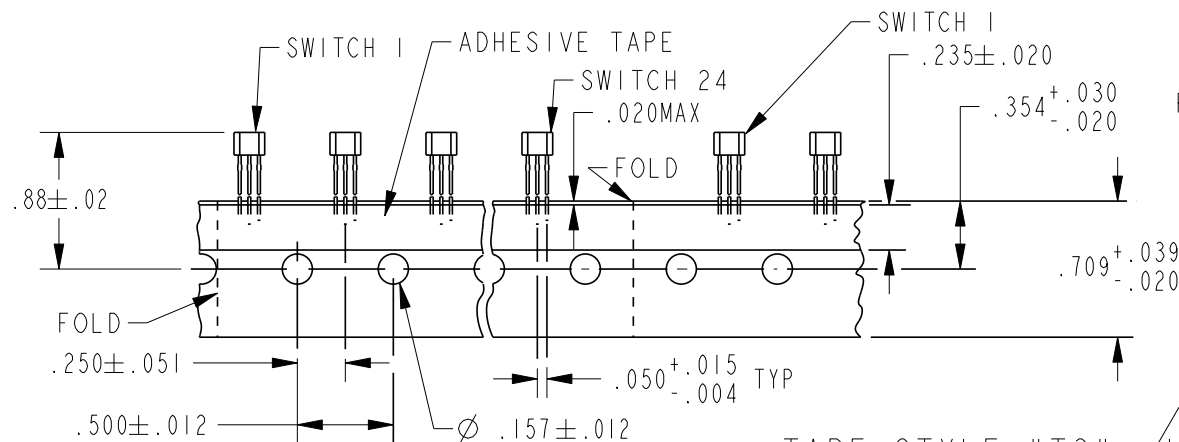
ISSUE
16

REVISIONS
E 0034535
PRS
26 OCT 07

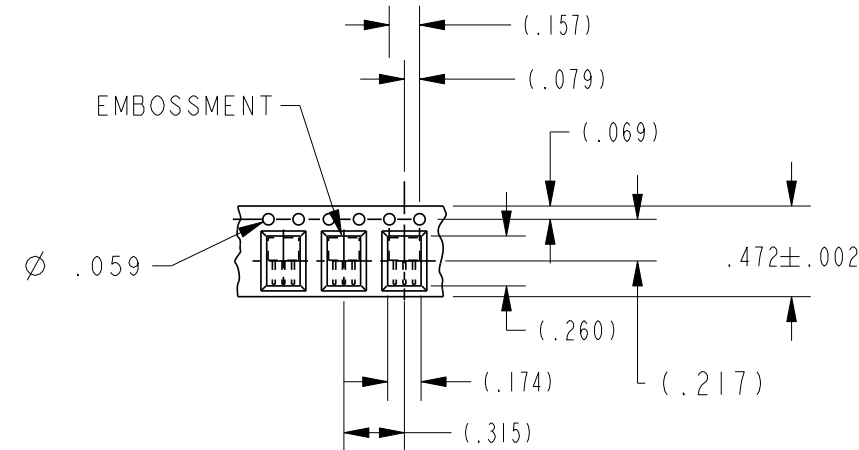
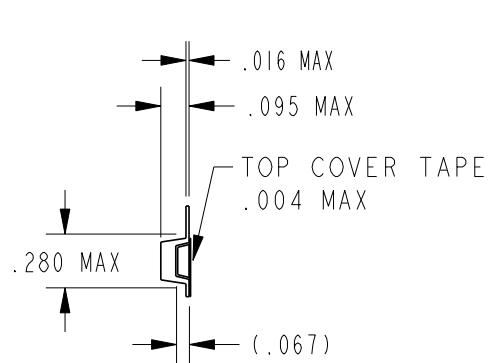
PTC/CAD 3D
DRAWN
KED 14 JAN 99
CHECK
JAF 14 JAN 99
CHECK
PR-21345
RELEASE NO.
PAGE 2 OF 4



TAPE STYLE "T2" 13 18



TAPE STYLE "T3" 13 18



TAPE STYLE "SP" & "RP" 14

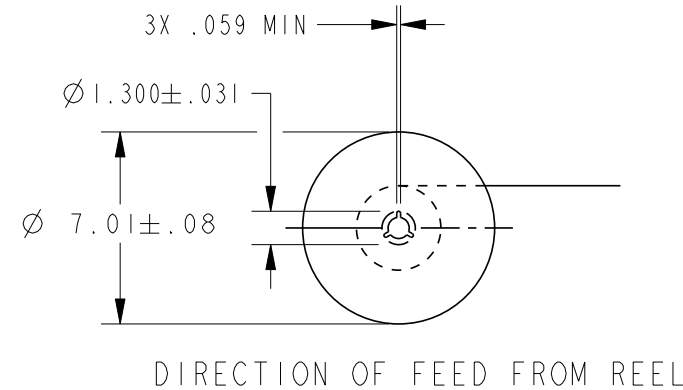
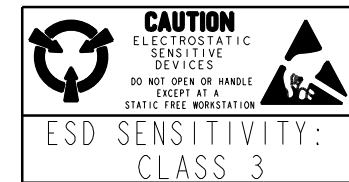
PREFIX SUFFIX
BASIC CATALOG LISTING:
PACKAGE STYLE, MAGNETIC TYPE,
ELECTRICAL/MAGNETIC SPECS
LEAD & PACKAGING OPTIONS:
BULK, TAPE & REEL,
POCKET TAPE & REEL

CHARACTERS IN THESE
POSITIONS OF THE LISTING
ARE BRANDED ON THE PRODUCT

SS441A1

SS4=PACKAGE STYLE
MAGNETIC TYPE
1=BIPOLAR
4=UNIPOLAR
6=LATCH
9=LINEAR
RELATIVE GAUSS OPERATING RANGE
(0-9, 9=HIGH GAUSS)#
ELECTRICAL/MAGNETIC OPTIONS
(A-K, & U-Z)
A=STANDARD
B-K & U-Z=SPECIALS
SPECIAL FEATURE (BLANK, 1-9)
BLANK=STANDARD
1-9=SPECIALS

| DESCRIPTION | NOMINAL LEAD SPACING | NOMINAL "E" DIM LENGTH ±015 | PARTS PER CONTAINER |
|----------------------------------|----------------------|-----------------------------|---------------------|
| STANDARD, BULK PACK 19 | .050 | .590 | 1000/BAG |
| -T 2 TAPE, AMMOPACK | .100 | .590 | 5000/BOX |
| -T 3 TAPE, AMMOPACK | .050 | .590 | 5000/BOX |
| -S SURFACE MOUNT, BULK PACK | .050 | .125 | 1000/BAG |
| -S P SURFACE MOUNT, POCKET TAPE | .050 | .125 | 1000/REEL |
| -R REDUCED LENGTH, BULK PACK | .050 | .130 | 1000/BAG |
| -R P REDUCED LENGTH, POCKET TAPE | .050 | .130 | 1000/REEL |
| -L LONG LEADS, BULK PACK | .050 | .735 | 1000/BAG |



| THIRD ANGLE PROJECTION | | |
|---|--------|-------|
| SCALE | NONE | |
| DO NOT SCALE PRINT | | |
| UNLESS OTHERWISE SPECIFIED TOLERANCES ARE | | |
| ONE PLACE | (.0) | ±.030 |
| TWO PLACE | (.00) | ±.015 |
| THREE PLACE | (.000) | ±.005 |
| ANGLES | ± | |
| WEIGHT | | |

CATALOG LISTING
SS400 SERIES CHART 1
 PAGE 3 OF 4
 ISSUE 16
 REVISIONS
 E 0034535
 PRS 26 OCT 07
 PTC/CAD 3D
 DRAWN
 KED 14 JAN 99
 CHECK
 JAF
 CHECK
 14 JAN 99
 CHECK
 JAF
 CHECK
 14 JAN 99
 RELEASE NO. PR-21345
 REPLACES -

TABLE 1 - MAGNETIC AND ELECTRICAL SPECIFICATIONS $\triangle 2 \triangle 21$

| | -40°C | 0°C | 25°C | 85°C | 125°C | 150°C |
|-------------------|-------|------|------|------|-------|-------|
| MIN OPERATE GAUSS | | | | | | |
| SS411A | NS | NS | NS | NS | NS | NS |
| SS413A | NS | NS | NS | NS | NS | NS |
| SS441A | 50 | 53 | 55 | 45 | 40 | 35 |
| SS443A | 110 | 110 | 110 | 90 | 80 | 65 |
| SS449A | 285 | 305 | 310 | 290 | 270 | 260 |
| SS461A | 5 | 5 | 10 | 10 | 5 | 5 |
| SS466A | 100 | 100 | 100 | 95 | 80 | 70 |
| MAX OPERATE GAUSS | | | | | | |
| SS411A | 70 | 65 | 60 | 60 | 65 | 70 |
| SS413A | 140 | 140 | 140 | 140 | 140 | 140 |
| SS441A | 135 | 117 | 115 | 120 | 123 | 125 |
| SS443A | 215 | 190 | 180 | 180 | 190 | 200 |
| SS449A | 435 | 400 | 390 | 400 | 410 | 420 |
| SS461A | 110 | 90 | 85 | 85 | 100 | 110 |
| SS466A | 200 | 185 | 180 | 180 | 180 | 185 |
| MIN RELEASE GAUSS | | | | | | |
| SS411A | -70 | -65 | -60 | -60 | -65 | -70 |
| SS413A | -140 | -140 | -140 | -140 | -140 | -140 |
| SS441A | 20 | 20 | 20 | 15 | 15 | 10 |
| SS443A | 80 | 80 | 75 | 70 | 60 | 55 |
| SS449A | 210 | 230 | 235 | 215 | 200 | 185 |
| SS461A | -110 | -90 | -85 | -85 | -100 | -110 |
| SS466A | -200 | -185 | -180 | -180 | -100 | -185 |
| MAX RELEASE GAUSS | | | | | | |
| SS411A | NS | NS | NS | NS | NS | NS |
| SS413A | NS | NS | NS | NS | NS | NS |
| SS441A | 120 | 99 | 95 | 105 | 115 | 120 |
| SS443A | 190 | 165 | 155 | 165 | 180 | 195 |
| SS449A | 360 | 325 | 315 | 325 | 340 | 345 |
| SS461A | -5 | -5 | -10 | -10 | -5 | -5 |
| SS466A | -100 | -100 | -100 | -95 | -80 | -70 |
| MIN DIFF GAUSS | | | | | | |
| SS411A | 15 | 15 | 15 | 12 | 12 | 10 |
| SS413A | 20 | 20 | 20 | 20 | 20 | 20 |
| SS441A | 15 | 15 | 20 | 15 | 8 | 5 |
| SS443A | 25 | 25 | 25 | 15 | 10 | 5 |
| SS449A | 30 | 30 | 30 | 30 | 30 | 30 |
| SS461A | 50 | 50 | 50 | 50 | 50 | 50 |
| SS466A | 200 | 200 | 200 | 190 | 160 | 140 |

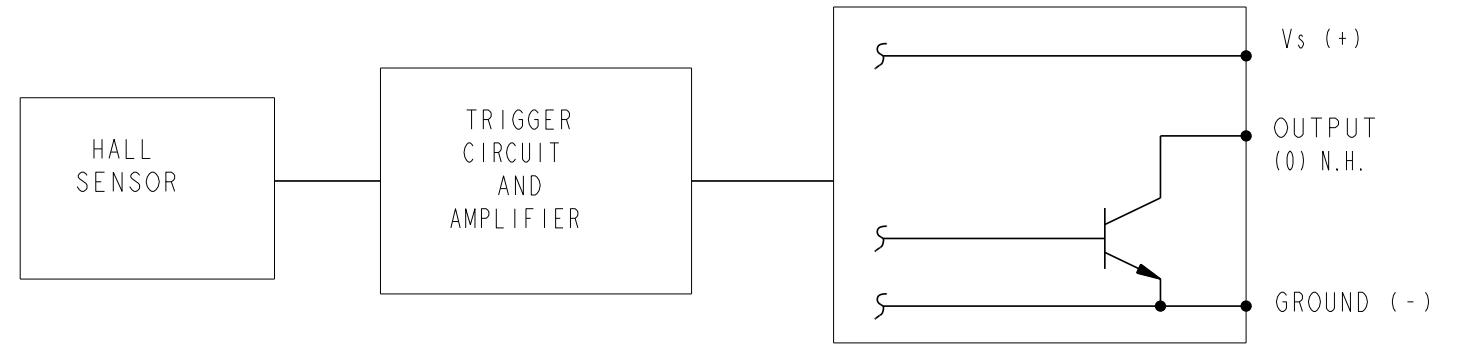


TABLE 2

| | |
|---|-------------|
| PACKING | BAG |
| SPECIFIED VOLTAGE RANGE | 3.8 - 30 |
| MAX Ioff milliamp | 15 |
| MAX Ion milliamp | 15 |
| RATED SINK CURRENT Ma | 20 |
| MAX Vsat VOLTS | 16 |
| MAX LEAKAGE AT 24V, UA | 17 |
| RISE TIME AT 25°C 10% TO 90% μ S | 4 |
| FALL TIME AT 25°C 90% TO 10% μ S | 4 |
| STORAGE TEMP °C | -65 TO +160 |
| OPERATING TEMP °C | -55 TO +160 |

TABLE 4

| CATALOG LISTING | MAGNETIC TYPE | BRAND SYMBOL |
|-----------------|---------------|--------------|
| SS411A | BIPOLAR | 11A |
| SS413A | BIPOLAR | 13A |
| SS441A | UNIPOLAR | 41A |
| SS443A | UNIPOLAR | 43A |
| SS449A | UNIPOLAR | 49A |
| SS461A | LATCH | 61A |
| SS466A | LATCH | 66A |

ABSOLUTE LIMITS $\triangle 3$ TABLE 3

| | |
|------------------------|-------------|
| SUPPLY VOLTAGE | -1 TO +30 |
| APPLIED OUTPUT VOLTAGE | -0.5 TO +30 |
| OUTPUT CURRENT mA | SEE TABLE 5 |
| MAGNETIC FLUX GAUSS | NO LIMIT |

TABLE 5

| OUTPUT CURRENT ABSOLUTE LIMITS | |
|--------------------------------|------------------------|
| SUPPLY VOLTAGE | OUTPUT CURRENT MAX, MA |
| -1 TO 24 | 50 |
| 24 TO 25 | 37 |
| 25 TO 26 | 33 |
| 26 TO 27 | 28 |
| 27 TO 28 | 24 |
| 28 TO 29 | 19 |
| 29 TO 30 | 15 |



| THIRD ANGLE PROJECTION | |
|---|-------|
| SCALE | NONE |
| DO NOT SCALE PRINT | |
| UNLESS OTHERWISE SPECIFIED TOLERANCES ARE | |
| ONE PLACE (.0) | ±.030 |
| TWO PLACE (.00) | ±.015 |
| THREE PLACE (.000) | ±.005 |
| ANGLES | ± |
| WEIGHT | |

CATALOG LISTING
SS400 SERIES CHART 1

PAGE 4 OF 4

ISSUE
16

REVISIONS

E 0034535
PRS
26 OCT 07

REPLACES -

CHECK

CHECK

CHECK

CHECK

14 JAN 99

JAF

CHECK

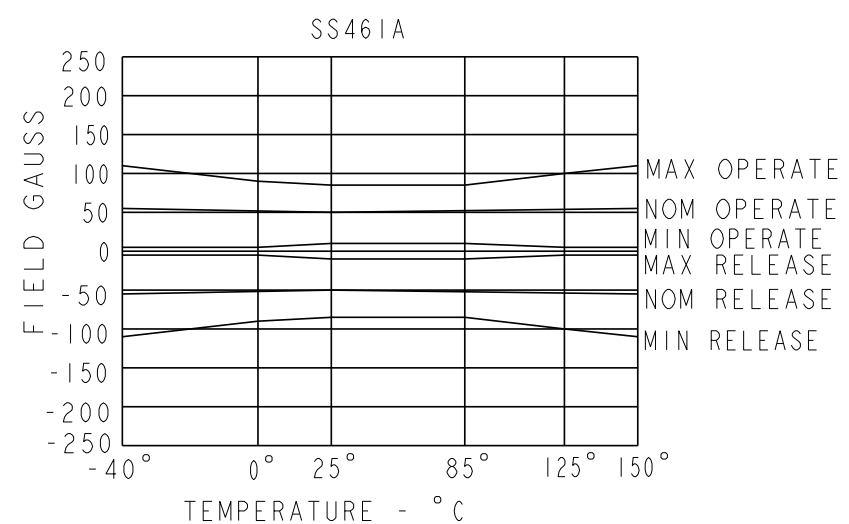
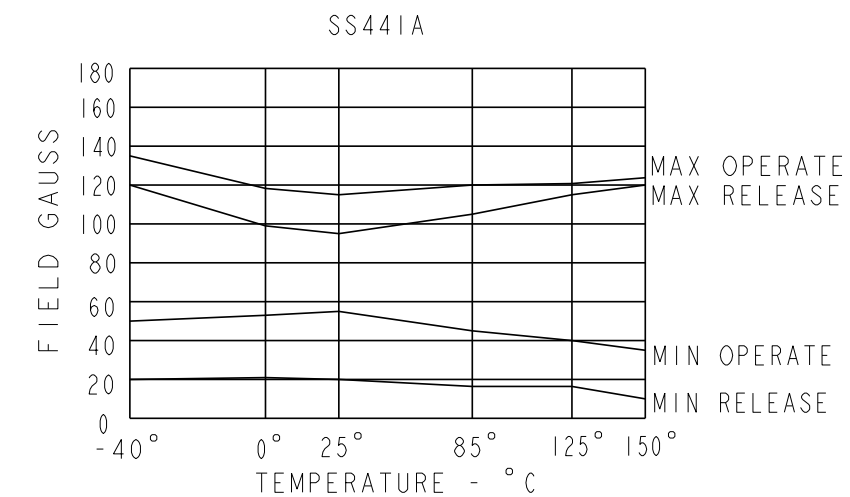
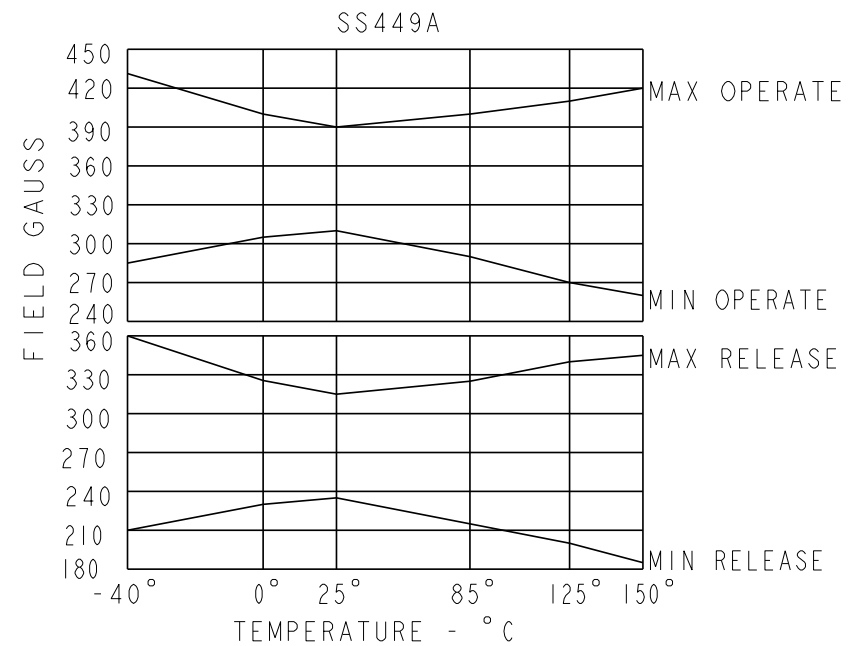
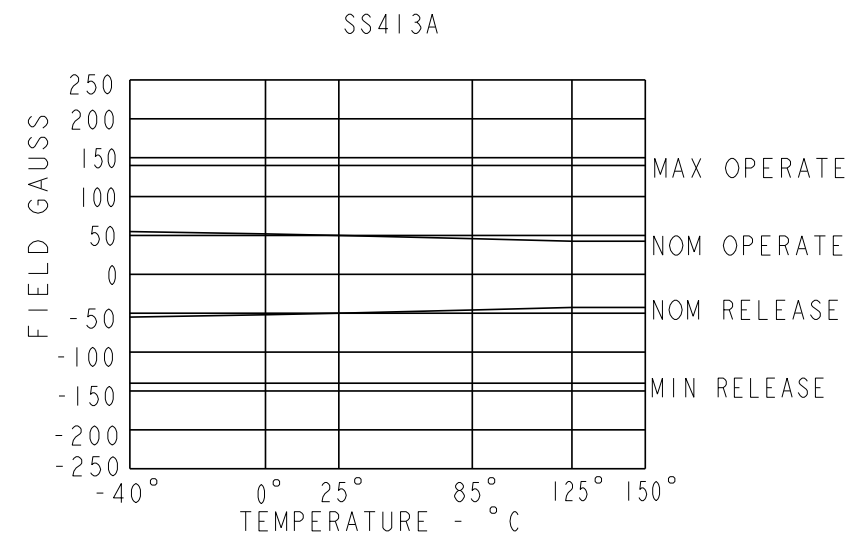
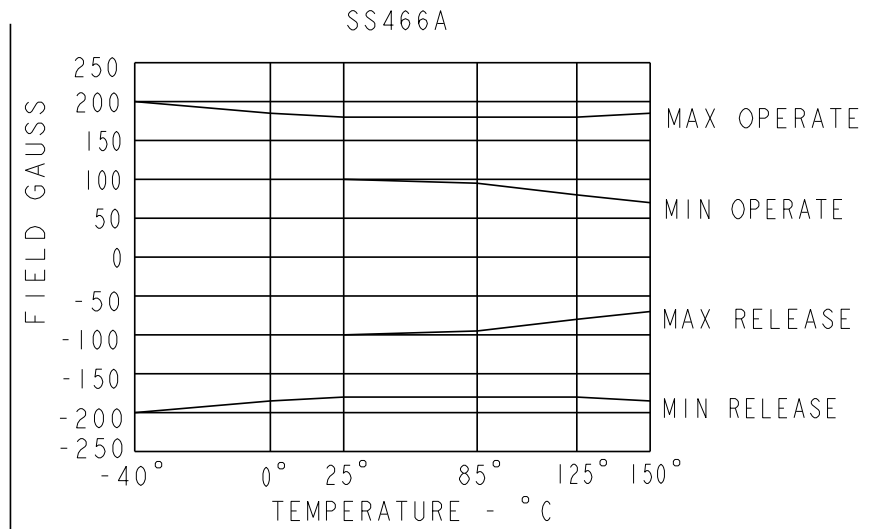
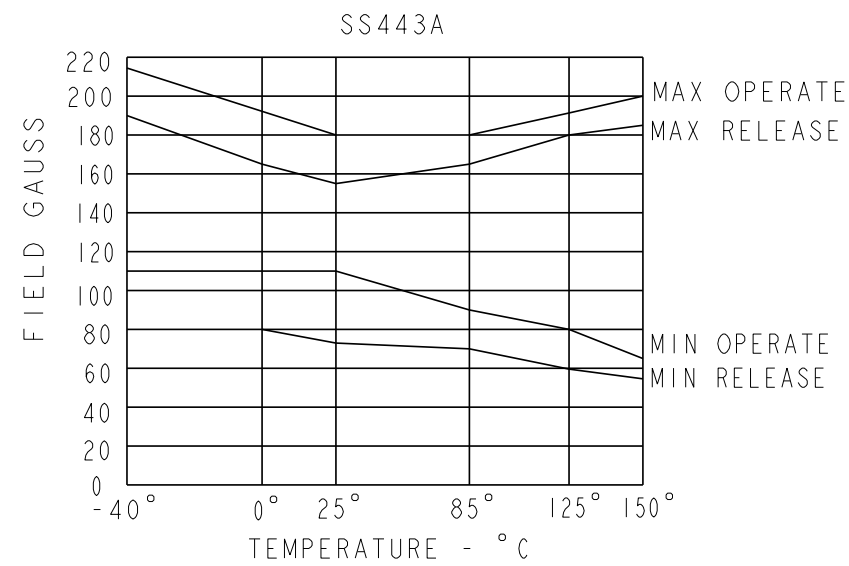
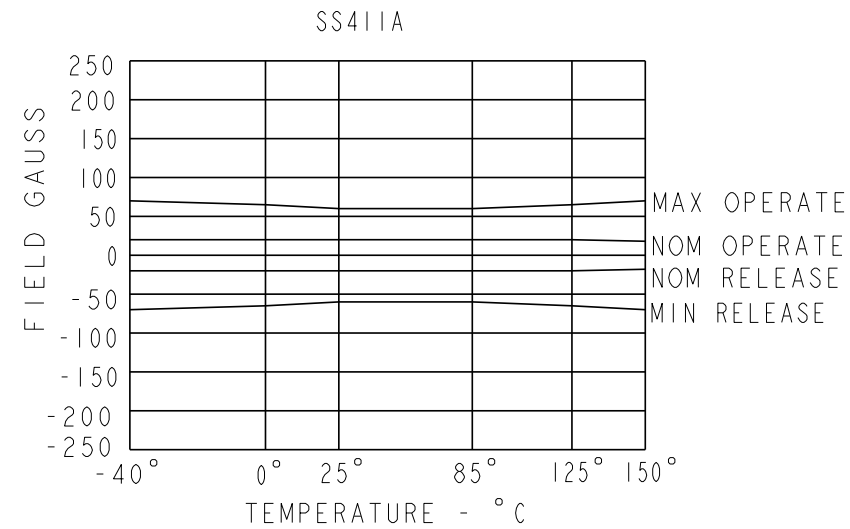
14 JAN 99

3D

DRAWN

KED

ANSI Y14.5M-1982 APPLIES



CAUTION
ELECTROSTATIC SENSITIVE DEVICES
DO NOT OPEN OR HANDLE EXCEPT AT A STATIC FREE WORKSTATION

ESD SENSITIVITY:
CLASS 3

| | |
|---|--------------|
| THIRD ANGLE PROJECTION | |
| | |
| SCALE | NONE |
| DO NOT SCALE PRINT | |
| UNLESS OTHERWISE SPECIFIED TOLERANCES ARE | |
| ONE PLACE | (.0) ±.030 |
| TWO PLACE | (.00) ±.015 |
| THREE PLACE | (.000) ±.005 |
| ANGLES | ± |
| WEIGHT | |

Данный компонент на территории Российской Федерации

Вы можете приобрести в компании MosChip.

Для оперативного оформления запроса Вам необходимо перейти по данной ссылке:

<http://moschip.ru/get-element>

Вы можете разместить у нас заказ для любого Вашего проекта, будь то серийное производство или разработка единичного прибора.

В нашем ассортименте представлены ведущие мировые производители активных и пассивных электронных компонентов.

Нашей специализацией является поставка электронной компонентной базы двойного назначения, продукции таких производителей как XILINX, Intel (ex.ALTERA), Vicor, Microchip, Texas Instruments, Analog Devices, Mini-Circuits, Amphenol, Glenair.

Сотрудничество с глобальными дистрибьюторами электронных компонентов, предоставляет возможность заказывать и получать с международных складов практически любой перечень компонентов в оптимальные для Вас сроки.

На всех этапах разработки и производства наши партнеры могут получить квалифицированную поддержку опытных инженеров.

Система менеджмента качества компании отвечает требованиям в соответствии с ГОСТ Р ИСО 9001, ГОСТ РВ 0015-002 и ЭС РД 009

Офис по работе с юридическими лицами:

105318, г.Москва, ул.Щербаковская д.3, офис 1107, 1118, ДЦ «Щербаковский»

Телефон: +7 495 668-12-70 (многоканальный)

Факс: +7 495 668-12-70 (доб.304)

E-mail: info@moschip.ru

Skype отдела продаж:

moschip.ru

moschip.ru_4

moschip.ru_6

moschip.ru_9