

## Features

- 1-dB Attenuation Steps to 15 dB
- High Accuracy
- Low Intermodulation Product: +50 dBm IP3
- Low DC Power Consumption: 50  $\mu$ W
- Tape and Reel Packaging Available
- Temperature Stability +/-0.15 dB: -40°C to +85°C
- Lead-Free SOIC-16 Package
- 100% Matte Tin Plating over Copper
- Halogen-Free “Green” Mold Compound
- 260°C Re-flow Compatible
- RoHS\* Compliant Version of AT-210

## Description

M/A-COM's MAATSS0015 is a 4-bit, 1-dB step GaAs MMIC digital attenuator in a lead-free SOIC 16-lead surface mount plastic package. The MAATSS0015 is ideally suited for use where high accuracy, fast switching, very low power consumption and low intermodulation products are required. Typical applications include radio, cellular, and wireless LANs, GPS equipment and other gain/level control circuits.

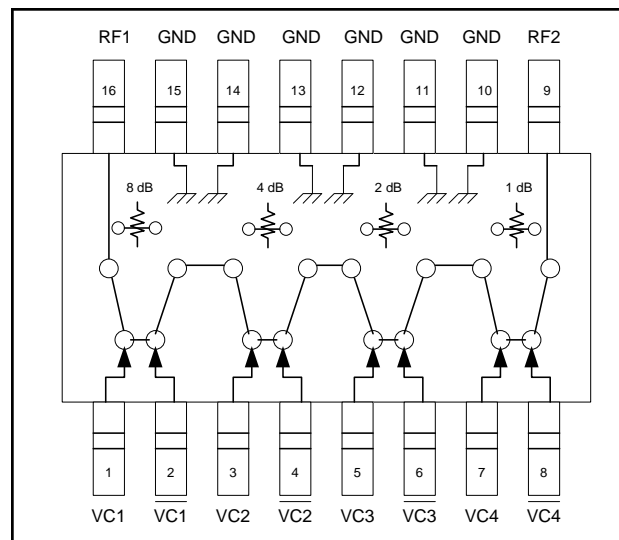
The MAATSS0015 is fabricated with a monolithic GaAs MMIC using a mature 1-micron process. The process features full chip passivation for increased performance and reliability.

## Ordering Information<sup>1</sup>

Part Number	Package
MAATSS0015	SOIC 16-Lead Plastic Package
MAATSS0015TR	Tape & Reel

1. Reference Application Note M513 for reel size information.

## Functional Schematic



## Pin Configuration

Pin No.	Function	Pin No.	Function
1	VC1	9	RF2
2	$\overline{\text{VC1}}$	10	GND
3	VC2	11	GND
4	$\overline{\text{VC2}}$	12	GND
5	VC3	13	GND
6	$\overline{\text{VC3}}$	14	GND
7	VC4	15	GND
8	$\overline{\text{VC4}}$	16	RF1

## Absolute Maximum Ratings<sup>2,3</sup>

Parameter	Absolute Maximum
Input Power: 50 MHz 500-2000 MHz	+27 dBm +34 dBm
Control Voltage	-8.5 V $\leq$ V <sub>C</sub> $\leq$ 5V
Operating Temperature	-40°C to +85°C
Storage Temperature	-65°C to +150°C

2. Exceeding any one or combination of these limits may cause permanent damage to this device.
3. M/A-COM does not recommend sustained operation near these survivability limits.

\* Restrictions on Hazardous Substances, European Union Directive 2002/95/EC.

**ADVANCED:** Data Sheets contain information regarding a product M/A-COM Technology Solutions is considering for development. Performance is based on target specifications, simulated results, and/or prototype measurements. Commitment to develop is not guaranteed.  
**PRELIMINARY:** Data Sheets contain information regarding a product M/A-COM Technology Solutions has under development. Performance is based on engineering tests. Specifications are typical. Mechanical outline has been fixed. Engineering samples and/or test data may be available. Commitment to produce in volume is not guaranteed.

• **North America** Tel: 800.366.2266 / Fax: 978.366.2266  
 • **Europe** Tel: 44.1908.574.200 / Fax: 44.1908.574.300  
 • **Asia/Pacific** Tel: 81.44.844.8296 / Fax: 81.44.844.8298  
 Visit [www.macomtech.com](http://www.macomtech.com) for additional data sheets and product information.

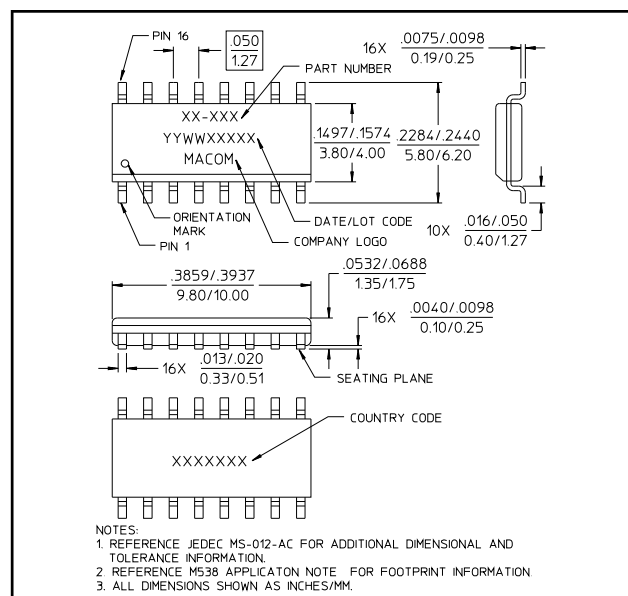
M/A-COM Technology Solutions Inc. and its affiliates reserve the right to make changes to the product(s) or information contained herein without notice.

**Electrical Specifications:  $T_A = 25^\circ\text{C}$ ,  $V_C = 0\text{ V} / -5\text{ V}$ ,  $Z_0 = 50\ \Omega$**

Parameter	Test Conditions	Frequency	Units	Min.	Typ.	Max.
Insertion Loss (Reference state)		DC - 0.1 GHz	dB	—	0.9	—
		DC - 0.5 GHz	dB	—	1.3	1.5
		DC - 1.0 GHz	dB	—	1.5	1.8
		DC - 2.0 GHz	dB	—	2.0	—
Attenuation Accuracy <sup>4</sup>		DC - 1.0 GHz DC - 2.0 GHz		$\pm (0.15\text{ dB} + 3\% \text{ of Atten Setting in dB})\text{ dB}$ $\pm (0.30\text{ dB} + 3\% \text{ of Atten Setting in dB})\text{ dB}$		
VSWR			Ratio	—	1.4	—
Trise, Tfall	10% to 90% RF, 90% to 10% RF	—	nS	—	10	—
Ton, Toff	50% Control to 90% RF, 50% Control to 10% RF	—	nS	—	15	—
Transients	In-Band	—	mV	—	18	—
1 dB Compression	Input Power Input Power	0.05 GHz	dBm	—	22	—
		0.5 - 2.0 GHz	dBm	—	28	—
IP <sub>2</sub>	Measured Relative to Input Power (For two-tone input power up to +5 dBm)	0.05 GHz	dBm	—	49	—
		0.5 - 2.0 GHz	dBm	—	72	—
IP <sub>3</sub>	Measured Relative to Input Power (For two-tone input power up to +5 dBm)	0.05 GHz	dBm	—	45	—
		0.5 - 2.0 GHz	dBm	—	50	—
Control Current	$ V_C  = 5\text{ V}$		$\mu\text{A}$	—	10	20

4. Attenuation accuracy specifications apply with negative bias control and low inductance grounding.

## Lead-Free SOIC-16<sup>†</sup>



<sup>†</sup> Reference Application Note M538 for lead-free solder reflow recommendations.

Meets JEDEC moisture sensitivity level 1 requirements

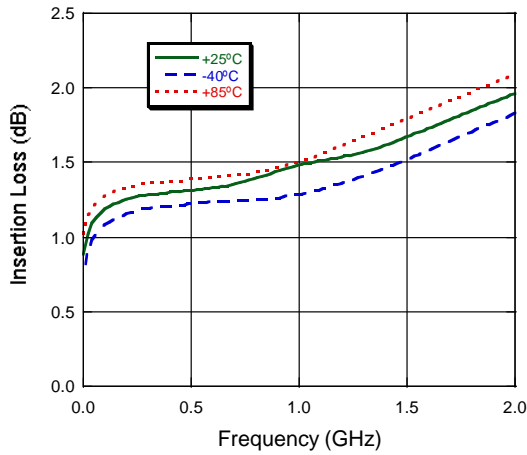
## Truth Table <sup>5</sup>

Control Inputs								Attenuation (dB)
$\overline{VC}$ 4	VC 4	$\overline{VC}$ 3	VC 3	$\overline{VC}$ 2	VC 2	$\overline{VC}$ 1	VC 1	
1	0	1	0	1	0	1	0	Reference state
0	1	1	0	1	0	1	0	1 dB
1	0	0	1	1	0	1	0	2 dB
1	0	1	0	0	1	1	0	4 dB
1	0	1	0	1	0	0	1	8 dB
0	1	0	1	0	1	0	1	15 dB

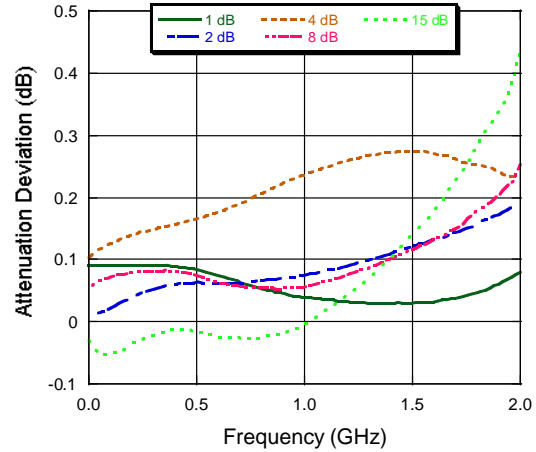
5. 0 = -0.2 V to 0 V, 1 = -8 V to -5 V.

## Typical Performance Curves

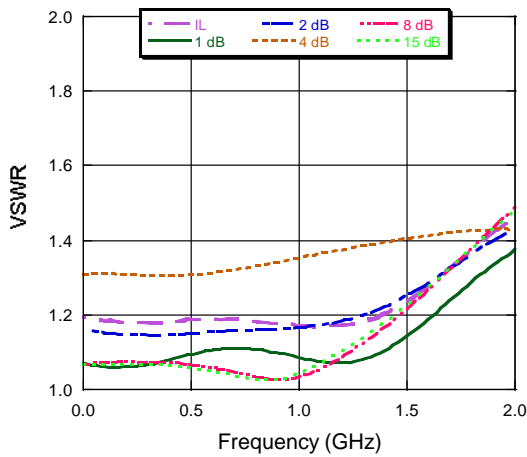
**Insertion Loss**



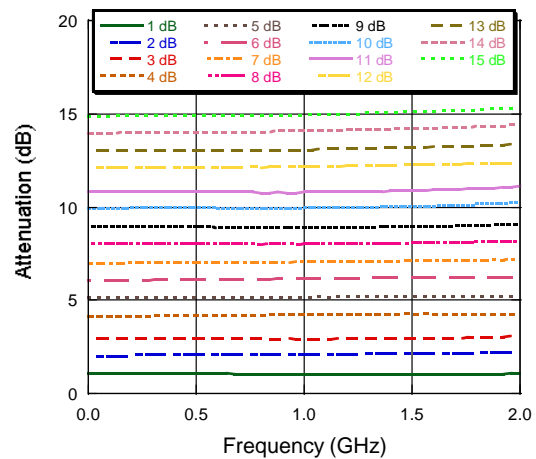
**Attenuation Accuracy**



**VSWR**



**Attenuation**



## Данный компонент на территории Российской Федерации

### Вы можете приобрести в компании MosChip.

Для оперативного оформления запроса Вам необходимо перейти по данной ссылке:

<http://moschip.ru/get-element>

Вы можете разместить у нас заказ для любого Вашего проекта, будь то серийное производство или разработка единичного прибора.

В нашем ассортименте представлены ведущие мировые производители активных и пассивных электронных компонентов.

Нашей специализацией является поставка электронной компонентной базы двойного назначения, продукции таких производителей как XILINX, Intel (ex.ALTERA), Vicor, Microchip, Texas Instruments, Analog Devices, Mini-Circuits, Amphenol, Glenair.

Сотрудничество с глобальными дистрибьюторами электронных компонентов, предоставляет возможность заказывать и получать с международных складов практически любой перечень компонентов в оптимальные для Вас сроки.

На всех этапах разработки и производства наши партнеры могут получить квалифицированную поддержку опытных инженеров.

Система менеджмента качества компании отвечает требованиям в соответствии с ГОСТ Р ИСО 9001, ГОСТ РВ 0015-002 и ЭС РД 009

### Офис по работе с юридическими лицами:

105318, г.Москва, ул.Щербаковская д.3, офис 1107, 1118, ДЦ «Щербаковский»

Телефон: +7 495 668-12-70 (многоканальный)

Факс: +7 495 668-12-70 (доб.304)

E-mail: [info@moschip.ru](mailto:info@moschip.ru)

Skype отдела продаж:

moschip.ru

moschip.ru\_4

moschip.ru\_6

moschip.ru\_9