

PLEASE CHECK WWW.MOLEX.COM FOR LATEST PART INFORMATION

Part Number: [0855105026](#)
Status: **Active**
Overview: [modular_plugs_jacks](#)
Description: Modular Jack, Vertical, SMT, 6/4, Solder Tabs

Documents:

[3D Model](#) [RoHS Certificate of Compliance \(PDF\)](#)
[Drawing \(PDF\)](#)

Agency Certification

UL E107635

General

Product Family Modular Jacks/Plugs
 Series [85510](#)
 Comments Small Panel Cutout
 Component Type PCB Jack
 Magnetic No
 Overview [modular_plugs_jacks](#)
 Performance Category 3
 Power over Ethernet (PoE) N/A
 Product Name RJ11

Physical

Boot Color N/A
 Color - Resin Black
 Durability (mating cycles max) 1,000
 Flammability 94V-0
 Inverted / Top Latch No
 Lightpipes/LEDs None
 Material - Metal Brass
 Material - Plating Mating Gold
 Material - Plating Termination Tin
 Material - Resin High Temperature Thermoplastic
 Orientation Vertical (Top Entry)
 PCB Locator No
 PCB Retention Yes
 Packaging Type Embossed Tape on Reel
 Pitch - Mating Interface (in) 0.040 In
 Pitch - Mating Interface (mm) 1.02 mm
 Pitch - Term. Interface (in) 0.050 In
 Pitch - Term. Interface (mm) 1.27 mm
 Plating min: Mating (µin) 120.00, 50.8
 Plating min: Mating (µm) 1.27, 3.000
 Plating min: Termination (µin) 120.00, 76
 Plating min: Termination (µm) 1.9, 3.00
 Ports 1
 Positions / Loaded Contacts 6/4
 Surface Mount Compatible (SMC) Yes
 Temperature Range - Operating -40°C to +80°C
 Termination Interface: Style Surface Mount
 Waterproof / Dustproof No
 Wire/Cable Type N/A

Electrical

Current - Maximum per Contact 1.5A

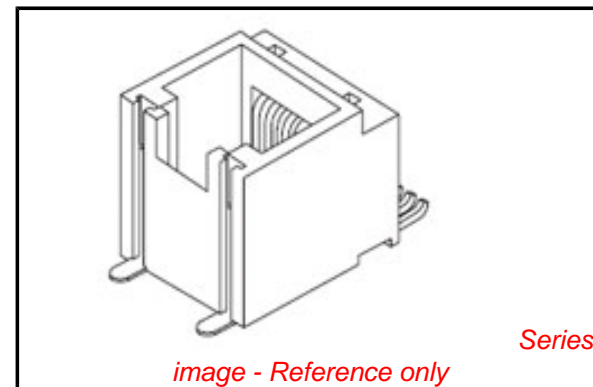


image - Reference only

EU RoHS

**ELV and RoHS
 Compliant**
**REACH SVHC
 Contains SVHC: No**
**Halogen-Free
 Status**

China RoHS



**Need more information on product
 environmental compliance?**

Email productcompliance@molex.com
 For a multiple part number RoHS Certificate of
 Compliance, [click here](#)

Please visit the [Contact Us](#) section for any
 non-product compliance questions.

Search Parts in this Series

[85510Series](#)

Mates With

FCC 68 Plugs

Shielded	No
Voltage - Maximum	125V DC

Solder Process Data

Duration at Max. Process Temperature (seconds)	40
Lead-free Process Capability	Reflow Capable (SMT only)
Max. Cycles at Max. Process Temperature	3
Process Temperature max. C	260

Material Info

Reference - Drawing Numbers

Application Specification	AS-85513-001
Packaging Specification	PK-85510
Sales Drawing	SD-85510-002

This document was generated on 06/07/2010

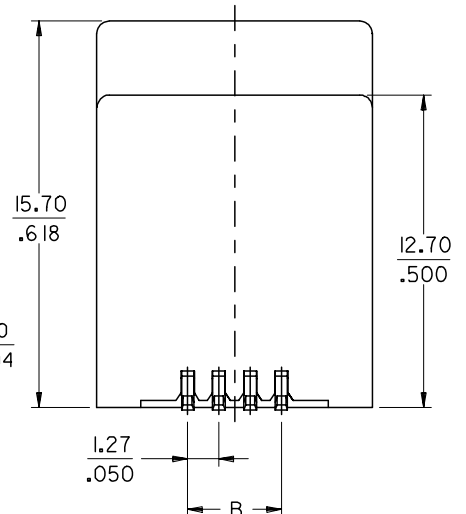
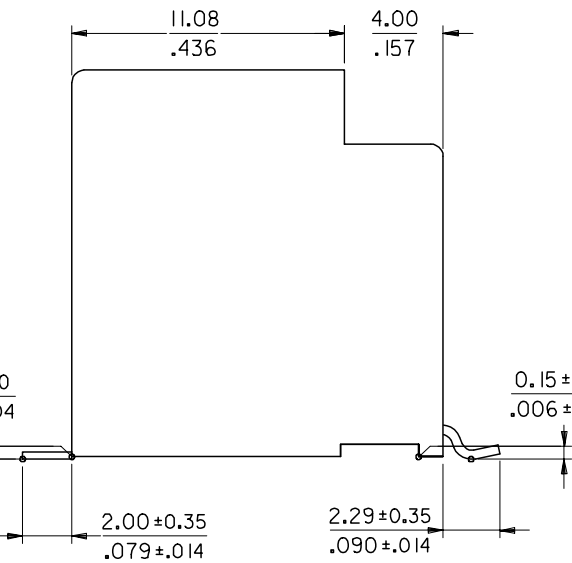
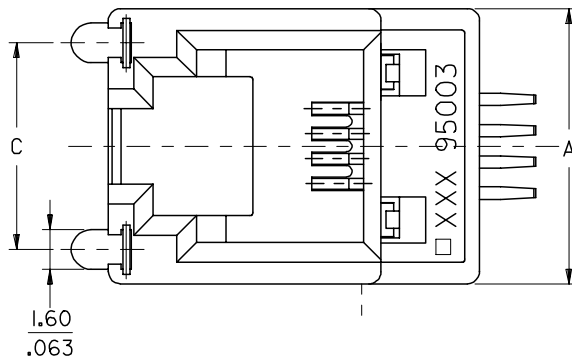
PLEASE CHECK WWW.MOLEX.COM FOR LATEST PART INFORMATION

10 9 8 7 6 5 4 3 2 1

PART. NO.	HOUSING SIZE	LOADED CKTS	TOOLED	PACKAGING	A	B ±0.15 ±.006	C
85510-5003	8	8	YES	TAPE			
85510-5020	8	8	YES	BLISTER ON REEL 13"	15.24 .600	8.89 .350	10.77 .424
85510-5028	8	8	YES	BLISTER ON REEL 22"			
85510-5005	6	6	YES	TAPE			
85510-5019	6	6	YES	BLISTER ON REEL 13"	13.21 .520	6.35 .250	9.95 .392
85510-5027	6	6	YES	BLISTER ON REEL 22"			
85510-5013	6	4	NO	TAPE			
85510-5018	6	4	NO	BLISTER ON REEL 13"	13.21 .520	3.81 .150	9.95 .392
85510-5026	6	4	YES	BLISTER ON REEL 22"			
85510-5007	4	4	YES	TAPE			
85510-5017	4	4	YES	BLISTER ON REEL 13"	11.18 .440	3.81 .150	8.40 .331
85510-5025	4	4	YES	BLISTER ON REEL 22"			

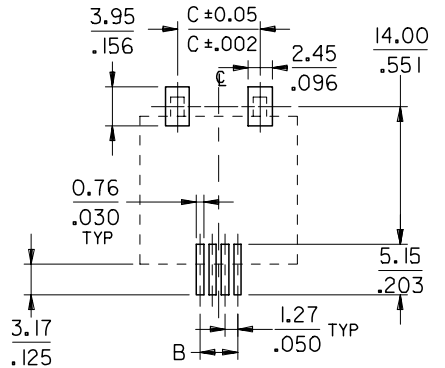
NOTES:

- 1- MATERIAL:
 - HOUSING: LCP FIBER GLASS FILLED UL 94-V0, COLOR BLACK.
 - TERMINAL: BRASS PLATED WITH: 0.00127/.000050 MIN. GOLD IN CONTACT AREA, 0.00190/.000075 MIN PURE TIN IN TAIL AREA, BOTH OVER 0.00127/.000050 MIN NICKEL OVERALL.
 - SOLDER NAILS: BRASS PRE-PLATED WITH 0.0020/.000078 MIN TIN
- 2- JACK FOR MATING WITH F.C.C.68 PLUGS (MOLEX 95075 SERIES).
- 3- PRODUCT SPECIFICATION PS-95503-001.
- 4- APPLICATION SPECIFICATION: AS-85513-001
- 5- PACKAGING SPECIFICATION: PK-85510 SHEET 1 (TAPE ON REEL) SHEET 2 (BLISTER ON REEL 13") SHEET 3 (BLISTER ON REEL 22")
- 6- COPLANARITY OF SIGNAL LEADS: 0.10 MAX
- 7- MANUFACTURING I.D CAN BE EITHER MG, MXF OR MXL.



PCB MOUNTING PATTERNS

(SEE FROM COMPONENT SIDE)
(SCALE 2:1)



(ONLY 4/4 VERSION PADS SHOWN)

CORRECTED TERM MATL	2007/07/23	DESCRIPTION
EC NO: E2008-0031	2007/07/23	
DRWN:DBYRNES	2007/07/23	
CHKD:		
APPR:EDMAMONY	2007/07/26	

QUALITY SYMBOLS ▽=0 ∇=0	GENERAL TOLERANCES (UNLESS SPECIFIED)	
	mm	INCH
	4 PLACES ± ---	± ---
	3 PLACES ± ---	± .006
	2 PLACES ± 0.15	± .010
	1 PLACE ± 0.25	± ---
	ANGULAR ± 2 °	

DIMENSION STYLE		SCALE	DESIGN UNITS	THIRD ANGLE PROJECTION
MM/IN		5:1	METRIC	
DRAWN BY	DATE	TITLE		
FB	95/11/21	TOP ENTRY SMT JACKS 4/4 6/6 AND 8/8 POS. WITH SOLDER NAILS		
CHECKED BY	DATE	MOLEX INCORPORATED		
TB	95/11/21			
APPROVED BY	DATE	DOCUMENT NO.		
FB	95/11/21	SD-85510-002		
MATERIAL NO.		SHEET NO.		
		1 OF 1		

DRAFT WHERE APPLICABLE
MUST REMAIN
WITHIN DIMENSIONS

SEE CHART

THIS DRAWING CONTAINS INFORMATION THAT IS PROPRIETARY TO MOLEX INCORPORATED AND SHOULD NOT BE USED WITHOUT WRITTEN PERMISSION

9 8 7 6 5 4 3 2 1

Данный компонент на территории Российской Федерации

Вы можете приобрести в компании MosChip.

Для оперативного оформления запроса Вам необходимо перейти по данной ссылке:

<http://moschip.ru/get-element>

Вы можете разместить у нас заказ для любого Вашего проекта, будь то серийное производство или разработка единичного прибора.

В нашем ассортименте представлены ведущие мировые производители активных и пассивных электронных компонентов.

Нашей специализацией является поставка электронной компонентной базы двойного назначения, продукции таких производителей как XILINX, Intel (ex.ALTERA), Vicor, Microchip, Texas Instruments, Analog Devices, Mini-Circuits, Amphenol, Glenair.

Сотрудничество с глобальными дистрибьюторами электронных компонентов, предоставляет возможность заказывать и получать с международных складов практически любой перечень компонентов в оптимальные для Вас сроки.

На всех этапах разработки и производства наши партнеры могут получить квалифицированную поддержку опытных инженеров.

Система менеджмента качества компании отвечает требованиям в соответствии с ГОСТ Р ИСО 9001, ГОСТ РВ 0015-002 и ЭС РД 009

Офис по работе с юридическими лицами:

105318, г.Москва, ул.Щербаковская д.3, офис 1107, 1118, ДЦ «Щербаковский»

Телефон: +7 495 668-12-70 (многоканальный)

Факс: +7 495 668-12-70 (доб.304)

E-mail: info@moschip.ru

Skype отдела продаж:

moschip.ru

moschip.ru_4

moschip.ru_6

moschip.ru_9