

NEW

CRE Series 10mm DIP Coded Rotary Switches



**H
DIP**

Features/Benefits

- **Process sealed – withstands soldering and cleaning**
- **Thru-hole and surface mount models**
- **New designs with different actuators**
- **RoHS compatible and compliant**
- **New generation price competitive**

Typical Applications

- **Address switching applications**
- **Data storage devices**
- **Computer and peripherals**
- **Instrumentation**



Specifications

CONTACT RATING: 42 V DC 150mA (switching), 200mA (non-switching)

MECHANICAL & ELECTRICAL LIFE: 10,000 cycles

INITIAL CONTACT RESISTANCE: 80 milliohms max.

INSULATION RESISTANCE: 100 megohms min.

OPERATING TEMPERATURE: -20°C to 85°C.

STORAGE TEMPERATURE: -40°C to 85°C.

OPERATING FORCE: 700 gf max.

SOLDER CONDITIONS:

- Straight and right-angle types: Iron soldering 2s/340°C, wave soldering 5s/280°C
- Through-hole and SMT types: Iron soldering 2s/340°C, wave soldering: 5s/280°C, reflow soldering 10s/260°C

SOLDERABILITY: Dip and look solderability testing per C&K spec #448

PACKAGING: Switches are supplied in rigid dispensing tubes in full-tube quantities only, this may affect order quantities. Number of switches per tube varies with model. Tape and reel packing also available with exception for the right-angle "A" type terminations.

Materials

COVER:

- Straight and right-angle types: Nylon#66 (G45%)
- Through-hole and SMT types: LCP (G30%)

BASE:

- Straight and right-angle types: Nylon#66 (G45%)
- Through-hole and SMT types: LCP (G30%)

ACTUATOR:

- Straight and right-angle types: Poly Acetal
- Through-hole and SMT types: Nylon#66 (G45%)

CONTACTS: Brass with Gold nickel plating

TERMINALS: Brass with Gold nickel plating

How To Order

The Build-A Switch concept allows you to mix and match options to create the switch you need. Below is a complete listing of options shown in catalog. To order, simply select desired option from each category and place in the appropriate box.



Third Angle
Projection

Dimensions are shown: Inch (mm)
Specifications and dimensions subject to change



20 Jun 19

CRE Series 10mm DIP Coded Rotary Switches

NEW

CODING

DIP I

R Real Code

04 POSITION

| | | Real Code | | | | |
|-------------|---|-----------|---|---|---|---|
| 04 POSITION | | C | 1 | 2 | 4 | 8 |
| 0 | 0 | • | • | | | |
| 1 | 1 | • | | • | | |
| 2 | 2 | • | | | • | |
| 3 | 3 | • | | | | • |

06 POSITION

| | | Real Code | | | | |
|-------------|---|-----------|---|---|---|---|
| 06 POSITION | | C | 1 | 2 | 4 | 8 |
| 0 | 0 | • | • | | | |
| 1 | 1 | • | | • | | |
| 2 | 2 | • | | | • | |
| 3 | 3 | • | | | | • |
| 4 | 4 | • | • | | | |
| 5 | 5 | • | | • | | |
| 6 | 6 | • | | | • | |
| 7 | 7 | • | | | | • |

08 POSITION

| | | Real Code | | | | |
|-------------|---|-----------|---|---|---|---|
| 08 POSITION | | C | 1 | 2 | 4 | 8 |
| 0 | 0 | • | • | | | |
| 1 | 1 | • | | • | | |
| 2 | 2 | • | | | • | |
| 3 | 3 | • | | | | • |
| 4 | 4 | • | • | | | |
| 5 | 5 | • | | • | | |
| 6 | 6 | • | | | • | |
| 7 | 7 | • | | | | • |

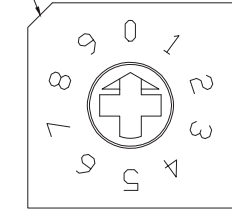
10 POSITION

| | | Real Code | | | | |
|-------------|---|-----------|---|---|---|---|
| 10 POSITION | | C | 1 | 2 | 4 | 8 |
| 0 | 0 | • | • | | | |
| 1 | 1 | • | | • | | |
| 2 | 2 | • | | | • | |
| 3 | 3 | • | | | | • |
| 4 | 4 | • | • | | | |
| 5 | 5 | • | | • | | |
| 6 | 6 | • | | | • | |
| 7 | 7 | • | | | | • |
| 8 | 8 | • | • | | | |
| 9 | 9 | • | | • | | |

16 POSITION

| | | Real Code | | | | |
|-------------|---|-----------|---|---|---|---|
| 16 POSITION | | C | 1 | 2 | 4 | 8 |
| 0 | 0 | • | • | | | |
| 1 | 1 | • | | • | | |
| 2 | 2 | • | | | • | |
| 3 | 3 | • | | | | • |
| 4 | 4 | • | • | | | |
| 5 | 5 | • | | • | | |
| 6 | 6 | • | | | • | |
| 7 | 7 | • | | | | • |
| 8 | 8 | • | • | | | |
| 9 | 9 | • | | • | | |
| A | A | • | | | • | |
| B | B | • | | | | • |
| C | C | • | • | | | |
| D | D | • | | • | | |
| E | E | • | | | • | |
| F | F | • | | | | • |

PIN 1 INDICATOR



C Complement Code

04 POSITION

| | | Complement Code | | | | |
|-------------|---|-----------------|---|---|---|---|
| 04 POSITION | | C | 1 | 2 | 4 | 8 |
| 0 | 0 | • | • | • | • | • |
| 1 | 1 | • | • | • | • | • |
| 2 | 2 | • | • | • | • | • |
| 3 | 3 | • | • | • | • | • |

06 POSITION

| | | Complement Code | | | | |
|-------------|---|-----------------|---|---|---|---|
| 06 POSITION | | C | 1 | 2 | 4 | 8 |
| 0 | 0 | • | • | • | • | • |
| 1 | 1 | • | • | • | • | • |
| 2 | 2 | • | • | • | • | • |
| 3 | 3 | • | • | • | • | • |
| 4 | 4 | • | • | • | • | • |
| 5 | 5 | • | • | • | • | • |

08 POSITION

| | | Complement Code | | | | |
|-------------|---|-----------------|---|---|---|---|
| 08 POSITION | | C | 1 | 2 | 4 | 8 |
| 0 | 0 | • | • | • | • | • |
| 1 | 1 | • | • | • | • | • |
| 2 | 2 | • | • | • | • | • |
| 3 | 3 | • | • | • | • | • |
| 4 | 4 | • | • | • | • | • |
| 5 | 5 | • | • | • | • | • |
| 6 | 6 | • | • | • | • | • |
| 7 | 7 | • | • | • | • | • |

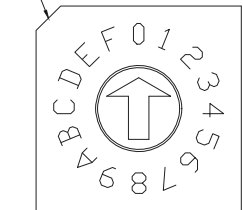
10 POSITION

| | | Complement Code | | | | |
|-------------|---|-----------------|---|---|---|---|
| 10 POSITION | | C | 1 | 2 | 4 | 8 |
| 0 | 0 | • | • | • | • | • |
| 1 | 1 | • | • | • | • | • |
| 2 | 2 | • | • | • | • | • |
| 3 | 3 | • | • | • | • | • |
| 4 | 4 | • | • | • | • | • |
| 5 | 5 | • | • | • | • | • |
| 6 | 6 | • | • | • | • | • |
| 7 | 7 | • | • | • | • | • |
| 8 | 8 | • | • | • | • | • |
| 9 | 9 | • | • | • | • | • |

16 POSITION

| | | Complement Code | | | | |
|-------------|---|-----------------|---|---|---|---|
| 16 POSITION | | C | 1 | 2 | 4 | 8 |
| 0 | 0 | • | • | • | • | • |
| 1 | 1 | • | • | • | • | • |
| 2 | 2 | • | • | • | • | • |
| 3 | 3 | • | • | • | • | • |
| 4 | 4 | • | • | • | • | • |
| 5 | 5 | • | • | • | • | • |
| 6 | 6 | • | • | • | • | • |
| 7 | 7 | • | • | • | • | • |
| 8 | 8 | • | • | • | • | • |
| 9 | 9 | • | • | • | • | • |
| A | A | • | • | • | • | • |
| B | B | • | • | • | • | • |
| C | C | • | • | • | • | • |
| D | D | • | • | • | • | • |
| E | E | • | • | • | • | • |
| F | F | • | • | • | • | • |

PIN 1 INDICATOR



SHAPE OF SURFACE

RD Round Type



OT Octagon Type



Third Angle Projection
Dimensions are shown: Inch (mm)
Specifications and dimensions subject to change

NEW

CRE Series 10mm DIP Coded Rotary Switches



H

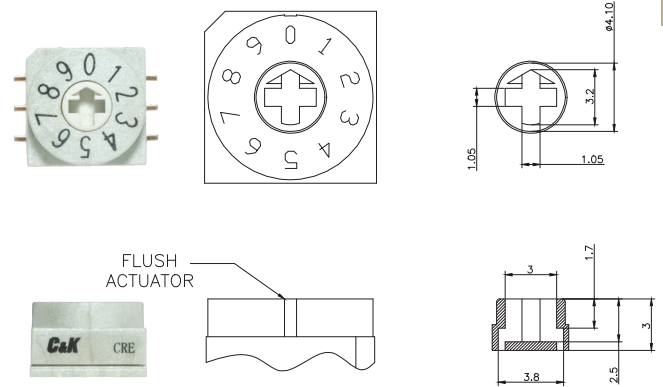
DIP

ACTUATOR

M0 Flush, Screw type “->”



M1 Flush, Screw type “+”



L0 Extended, Screw type “->”



P0 Protrusion, Screw type “->”



P1 Protrusion, Screw type “+”



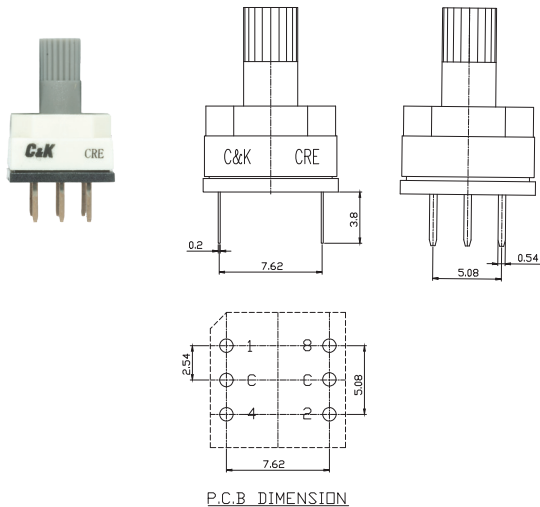
Third Angle
Projection

CRE Series 10mm DIP Coded Rotary Switches

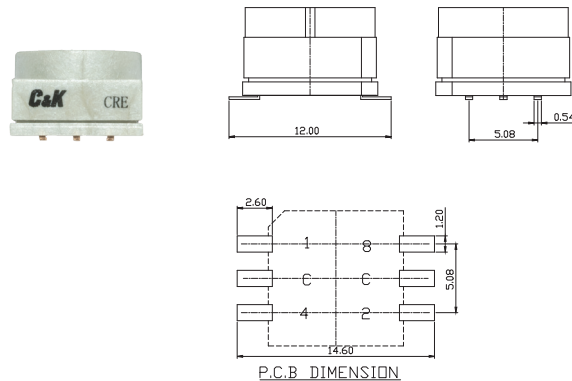
NEW

TERMINATIONS

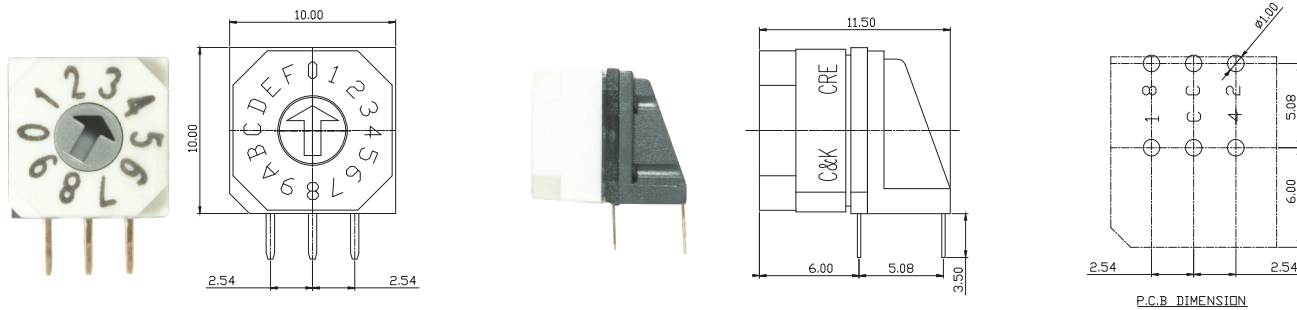
C PC Thru-hole



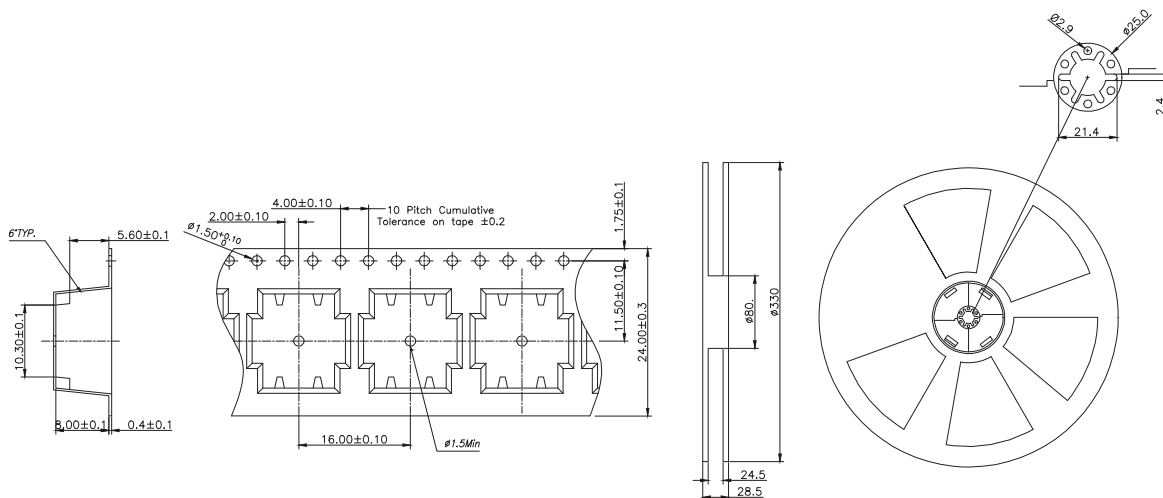
S Gull wing



A Right angle, PC thru-hole



TAPE & REEL



TAPE & REEL: 600 pcs



Dimensions are shown: Inch (mm)
Specifications and dimensions subject to change



20 Jun 19

DIP I



Данный компонент на территории Российской Федерации

Вы можете приобрести в компании MosChip.

Для оперативного оформления запроса Вам необходимо перейти по данной ссылке:

<http://moschip.ru/get-element>

Вы можете разместить у нас заказ для любого Вашего проекта, будь то серийное производство или разработка единичного прибора.

В нашем ассортименте представлены ведущие мировые производители активных и пассивных электронных компонентов.

Нашей специализацией является поставка электронной компонентной базы двойного назначения, продукции таких производителей как XILINX, Intel (ex.ALTERA), Vicor, Microchip, Texas Instruments, Analog Devices, Mini-Circuits, Amphenol, Glenair.

Сотрудничество с глобальными дистрибьюторами электронных компонентов, предоставляет возможность заказывать и получать с международных складов практически любой перечень компонентов в оптимальные для Вас сроки.

На всех этапах разработки и производства наши партнеры могут получить квалифицированную поддержку опытных инженеров.

Система менеджмента качества компании отвечает требованиям в соответствии с ГОСТ Р ИСО 9001, ГОСТ РВ 0015-002 и ЭС РД 009

Офис по работе с юридическими лицами:

105318, г.Москва, ул.Щербаковская д.3, офис 1107, 1118, ДЦ «Щербаковский»

Телефон: +7 495 668-12-70 (многоканальный)

Факс: +7 495 668-12-70 (доб.304)

E-mail: info@moschip.ru

Skype отдела продаж:

moschip.ru

moschip.ru_4

moschip.ru_6

moschip.ru_9