



A. HE89A21 Introduction

HE8A21 is a member of 8-bit Micro-controller series used for telephone communication developed by King Billion Electronics Ltd. Users can chose any one of combination among 【128 dots LCD Driver + 16 Bit I/O Port】... 【64 dots LCD Driver + 32 Bit I/O Port】etc. This Also built-in a DTMF generator can generate the PSTN dialing tone directly. It can be applicable as Small/ Medium class telephone communication product etc..

The instruction set of HE89A21 are quite easy to learn and simple to use. Only about thirty instructions with four-type addressing mode are provided. Most of instructions take only 3 oscillator clocks (machine cycles). The processing power is enough to most of battery operation system.

B. HE89A21 Features

- Operation Voltage : 2.4V – 5.5V
- System Clock : DC ~ 8MHz @ 5.0V
- DC ~ 4MHz @ 2.4V
- Internal ROM : 16K Bytes(16K Program ROM)
- Internal RAM : 512 Bytes.
- Dual Clock System : Normal (Fast) clock : 32.768K ~ 8MHz
- Slow clock : 32.768KHz
- Operation Mode : DUAL、FAST、SLOW、IDLE、SLEEP Mode.
- With WDT (WATCH DOG TIMER) to prevent deadlock condition..
- 16~32 bit Bi-directional I/O port. Mask Option can select PUSH-PULL or OPEN DRAIN output mode for each I/O pin.
- 128~64 dots LCD driver (A, B TYPE selectable).
- Built-in DTMF Generator.
- Two external interrupts and three internal timer interrupts.
- Two 16-bit timer and one Time Base timer.
- Instruction set : 32 instructions, 4 addressing mode. 9-bit DATA POINTER for RAM and 14-bit TABLE POINTER for ROM.

C. Internal Block

Please always take in mind that ICE is different from IC. ICE is the whole set of HE80000 series IC, but each IC is a subset of ICE. Never use any hardware resource that real IC didn't have, especially RAM and register. KBIDS and compiler cannot prevent user to use some hardware resource that didn't exist. Please check the following table and refer the abbreviation in HE80000 user's manual.

| E.S.C. | I.P.R | PROM | DROM | TP | TP+1 | RAM | PP | DP | I/O | DTMF | WDT | Timer | |
|--------|-------|------|------|--------|---------|------|-------|---------|-------|------|-----|----------|------|
| ⊙ | ⊙ | 16KB | — | 14-bit | ⊙ | 512B | 1-bit | 8-bit | 16~32 | ⊙ | ⊙ | T1,T2,TB | |
| VO | DAO | OP | PWM | LCD | COM*SEG | Bias | Rgr | ChrgPmp | LV2 | LR | LVG | REC | S.R. |
| — | — | — | — | 128~64 | 4*32 | 1/3 | — | 1 | ⊙ | — | — | — | — |



D. Pin Description

| Pin # | Pin name | I/O | Function | Description |
|---------------|-----------------------------------|---------|--|--|
| 50 49 | FXI, FXO | B, O | External fast clock pin. Connecting to crystal or RC to generate 32.768 kHz ~ 8MHz frequency. | Mask option setting : MO_FCK/SCKN= 00 : Slow Clock only 01 : Illegal 10 : Dual Clock 11 : Fast Clock only |
| 53 52 | SXI, SXO | I, O | External slow clock pin. Connecting with 32768 Hz crystal or resistor as slow clock and providing clock source for LCD display, TIMER1, Time-Base and other internal blocks. | MO_FOSCE = 0 : Internal fast osc. = 1 : External fast osc. MO_FXTAL = 0 : RC osc. for fast clock = 1 : X'tal osc. for fast clock MO_SXTAL = 0 : RC for 32768 Hz clock = 1 : X'tal for 32768 Hz clock Use OP1 and OP2 to switch among different operation mode (NORMAL, SLOW, IDEL and SLEEP). In Dual Clock mode, the main system clock is still the Fast Clock. The 32768 Hz clock is for LCD and Timer 1 only. |
| 48 | RSTP_N | I | System Reset. | Level trigger, active low. Except for using this pin, using mask option (MO_PORE=1) could enable IC build-in Power-on reset circuit. Besides, MO_WDTE can set Watch Dog Timer : MO_WDTE=0 : Disable Watch Dog Timer =1 : Enable Watch Dog Timer |
| 51 | TSTP_P | I | Test Pin | Please bond this pin and add a test point on PCB for debugging. Leave this pin floating is OK. |
| 67,68 1..6 | PRTC[7:0] | B | 8-pin bi-directional I/O port. | Mask options : MO_CPP[7..0]=1 ~ Push-pull. =0 ~ Open-drain. Output must be "1" before reading whenever use them as input (No tri-state structure). |
| 59..66 | PRTD[7:0] | B | 8-pin bi-directional I/O port. PRTD[7..2] as wake-up pin. PRTD[7..6] as external interrupt pin. | Mask options : MO_DPP[7..0]=1 ~ Push-pull. =0 ~ Open-drain. Output must be "1" before reading whenever use them as input (No tri-state structure). |
| 15.. 22 | PRT14[7:0]/ SEG[23:16] | B/ O | 8-pin bi-directional I/O port that is shared with LCD segment pin. | Mask options : MO_LIO14[7..0]=1 ~ LCD Pin. =0 ~ I/O Pin. MO_14PP[7..0]=1 ~ Push-pull. =0 ~ Open-drain. Output must be "1" before reading whenever use them as input (No tri-state structure). |
| 7..14 | PRT15[7:0]/ SEG[31:24] | B/ O | 8-pin bi-directional I/O port that is shared with LCD segment pin. | Mask options : MO_LIO15[7..0]=1 ~ LCD Pin. =0 ~ I/O Pin. MO_15PP[7..0]=1 ~ Push-pull. =0 ~ Open-drain. Output must be "1" before reading whenever use them as input (No tri-state structure). |
| 39..42 | COM[3:0] | O | LCD COMmon Output | |



| Pin # | Pin name | I/O | Function | Description |
|--------|------------------|-----|------------------------------|--|
| 23..38 | SEG[15:0] | O | LCD SEGment Output | LCD Data filled from F0H, please refer the LCD RAM map. |
| 44 | LC2 | B | Charge Pump Switch 1 | Add one 0.1 μ F capacitor between LC1 and LC2. Please refer the application circuit. |
| 43 | LC1 | B | Charge Pump Switch 2 | |
| 46 | LV2 | B | Charge Pump V2 | Please refer the application circuit. |
| 45 | LV1 | B | Charge Pump V1 | |
| 56 | DTMFO | O | DTMF Output | Through PRT12 we can turn on/off DTMF and write data. Using Mask Option MO_DTMFSCK set the clock source of DTMF block. MO_DTMFSCK=0 ; Clock Source=3.579545 MHz =1 ; Clock Source=32768 Hz |
| 55 | MUTE | O | MUTE Output for Dialer | User can turn on/off MUTE pin by port12. |
| 57 | SDO | O | Serial Data Output | We can turn on/off SDO block or write data by port12. |
| 58 | KEYTONE | O | 1024-Hz 50% duty square wave | User can turn on/off key tone by port12. |
| 54 | VDD | P | Positive Power Input | Adding 0.1 μ F capacitor as by-pass capacitor is between VDD and GND is necessary. |
| 47 | GND | P | Power Ground Input | |

E. LCD RAM 的配置

Page 0:

| | | | | | |
|-----|----------|----------|-----|----------|----------|
| F0H | SEG1 | SEG0 | F8H | SEG17 | SEG16 |
| | COM[3:0] | COM[3:0] | | COM[3:0] | COM[3:0] |
| F1H | SEG3 | SEG2 | F9H | SEG19 | SEG18 |
| | COM[3:0] | COM[3:0] | | COM[3:0] | COM[3:0] |
| F2H | SEG5 | SEG4 | FAH | SEG21 | SEG20 |
| | COM[3:0] | COM[3:0] | | COM[3:0] | COM[3:0] |
| F3H | SEG7 | SEG6 | FBH | SEG23 | SEG22 |
| | COM[3:0] | COM[3:0] | | COM[3:0] | COM[3:0] |
| F4H | SEG9 | SEG8 | FCH | SEG25 | SEG24 |
| | COM[3:0] | COM[3:0] | | COM[3:0] | COM[3:0] |
| F5H | SEG11 | SEG10 | FDH | SEG27 | SEG26 |
| | COM[3:0] | COM[3:0] | | COM[3:0] | COM[3:0] |
| F6H | SEG13 | SEG12 | FEH | SEG29 | SEG28 |
| | COM[3:0] | COM[3:0] | | COM[3:0] | COM[3:0] |
| F7H | SEG15 | SEG14 | FFH | SEG31 | SEG30 |
| | COM[3:0] | COM[3:0] | | COM[3:0] | COM[3:0] |



G. Bonding Pad Location

| PIN Number | PIN Name | X Coordinate | Y Coordinate | PIN Number | PIN Name | X Coordinate | Y Coordinate |
|------------|----------|--------------|--------------|------------|----------|--------------|--------------|
| 1 | PRTC[5] | X= -1218.70 | Y= 1016.20 | 35 | SEG[3] | X= 1218.30 | Y= -867.80 |
| 2 | PRTC[4] | X= -1218.70 | Y= 900.80 | 36 | SEG[2] | X= 1218.30 | Y= -752.20 |
| 3 | PRTC[3] | X= -1218.70 | Y= 785.20 | 37 | SEG[1] | X= 1218.30 | Y= -636.80 |
| 4 | PRTC[2] | X= -1218.70 | Y= 669.80 | 38 | SEG[0] | X= 1218.30 | Y= -521.20 |
| 5 | PRTC[1] | X= -1218.70 | Y= 554.20 | 39 | COM[3] | X= 1218.30 | Y= -405.80 |
| 6 | PRTC[0] | X= -1218.70 | Y= 438.80 | 40 | COM[2] | X= 1218.30 | Y= -290.20 |
| 7 | PRT15[7] | X= -1218.70 | Y= 323.20 | 41 | COM[1] | X= 1218.30 | Y= -174.80 |
| 8 | PRT15[6] | X= -1218.70 | Y= 207.80 | 42 | COM[0] | X= 1218.30 | Y= -59.20 |
| 9 | PRT15[5] | X= -1218.70 | Y= 92.20 | 43 | LC1 | X= 1218.30 | Y= 56.20 |
| 10 | PRT15[4] | X= -1218.70 | Y= -23.20 | 44 | LC2 | X= 1218.30 | Y= 171.80 |
| 11 | PRT15[3] | X= -1218.70 | Y= -138.80 | 45 | LV1 | X= 1218.30 | Y= 287.20 |
| 12 | PRT15[2] | X= -1218.70 | Y= -254.20 | 46 | LV2 | X= 1218.30 | Y= 402.80 |
| 13 | PRT15[1] | X= -1218.70 | Y= -369.80 | 47 | GND | X= 1218.30 | Y= 518.20 |
| 14 | PRT15[0] | X= -1218.70 | Y= -485.20 | 48 | RSTP_N | X= 1218.30 | Y= 633.80 |
| 15 | PRT14[7] | X= -1218.70 | Y= -600.80 | 49 | FXO | X= 1218.30 | Y= 749.20 |
| 16 | PRT14[6] | X= -1218.70 | Y= -716.20 | 50 | FXI | X= 1218.30 | Y= 864.80 |
| 17 | PRT14[5] | X= -1218.70 | Y= -831.80 | 51 | TSTP_P | X= 1218.30 | Y= 980.20 |
| 18 | PRT14[4] | X= -698.20 | Y= -1173.00 | 52 | SXO | X= 921.80 | Y= 1150.60 |
| 19 | PRT14[3] | X= -582.80 | Y= -1173.00 | 53 | SXI | X= 806.20 | Y= 1150.60 |
| 20 | PRT14[2] | X= -467.20 | Y= -1173.00 | 54 | VDD | X= 690.8 | Y= 1150.60 |
| 21 | PRT14[1] | X= -351.80 | Y= -1173.00 | 55 | MUTE | X= 575.2 | Y= 1150.60 |
| 22 | PRT14[0] | X= -236.20 | Y= -1173.00 | 56 | DTMFO | X= 459.8 | Y= 1150.60 |
| 23 | SEG[15] | X= -120.80 | Y= -1173.00 | 57 | SDO | X= 344.2 | Y= 1150.60 |
| 24 | SEG[14] | X= -5.20 | Y= -1173.00 | 58 | KEYTONE | X= 228.8 | Y= 1150.60 |
| 25 | SEG[13] | X= 110.20 | Y= -1173.00 | 59 | PRTD[7] | X= 113.2 | Y= 1150.60 |
| 26 | SEG[12] | X= 225.80 | Y= -1173.00 | 60 | PRTD[6] | X= -2.2 | Y= 1150.60 |
| 27 | SEG[11] | X= 341.20 | Y= -1173.00 | 61 | PRTD[5] | X= -117.8 | Y= 1150.60 |
| 28 | SEG[10] | X= 456.80 | Y= -1173.00 | 62 | PRTD[4] | X= -233.2 | Y= 1150.60 |
| 29 | SEG[9] | X= 572.20 | Y= -1173.00 | 63 | PRTD[3] | X= -348.8 | Y= 1150.60 |
| 30 | SEG[8] | X= 687.80 | Y= -1173.00 | 64 | PRTD[2] | X= -464.2 | Y= 1150.60 |
| 31 | SEG[7] | X= 803.20 | Y= -1173.00 | 65 | PRTD[1] | X= -579.8 | Y= 1150.60 |
| 32 | SEG[6] | X= 918.80 | Y= -1173.00 | 66 | PRTD[0] | X= -695.2 | Y= 1150.60 |
| 33 | SEG[5] | X= 1034.20 | Y= -1173.00 | 67 | PRTC [7] | X= -810.8 | Y= 1150.60 |
| 34 | SEG[4] | X= 1149.80 | Y= -1173.00 | 68 | PRTC [6] | X= -926.2 | Y= 1150.60 |

H. DC/AC Characteristics

Absolute Maximum Rating

| Item | Sym. | Rating | Condition |
|-----------------------|-----------------|---|-----------|
| Supply Voltage | V _{dd} | -0.5V ~ 8V | |
| Input Voltage | V _{in} | -0.5V ~ V _{dd} +0.5V | |
| Output Voltage | V _o | -0.5V ~ V _{dd} +0.5V | |
| Operating Temperature | T _{op} | 0 ^o C ~ 70 ^o C | |
| Storage Temperature | T _{st} | -50 ^o C ~ 100 ^o C | |

Recommended Operating Conditions

| Item | Sym. | Rating | Condition |
|-----------------------|------------------|---|-----------------------|
| Supply Voltage | V _{dd} | 2.4V ~ 5.5V | |
| Input Voltage | V _{ih} | 0.9 V _{dd} ~ V _{dd} | |
| | V _{il} | 0.0V ~ 0.1V _{dd} | |
| Operating Frequency | F _{max} | 8MHz | V _{dd} =5.0V |
| | | 4MHz | V _{dd} =2.4V |
| Operating Temperature | T _{op} | 0 ^o C ~ 70 ^o C | |
| Storage Temperature | T _{st} | -50 ^o C ~ 100 ^o C | |

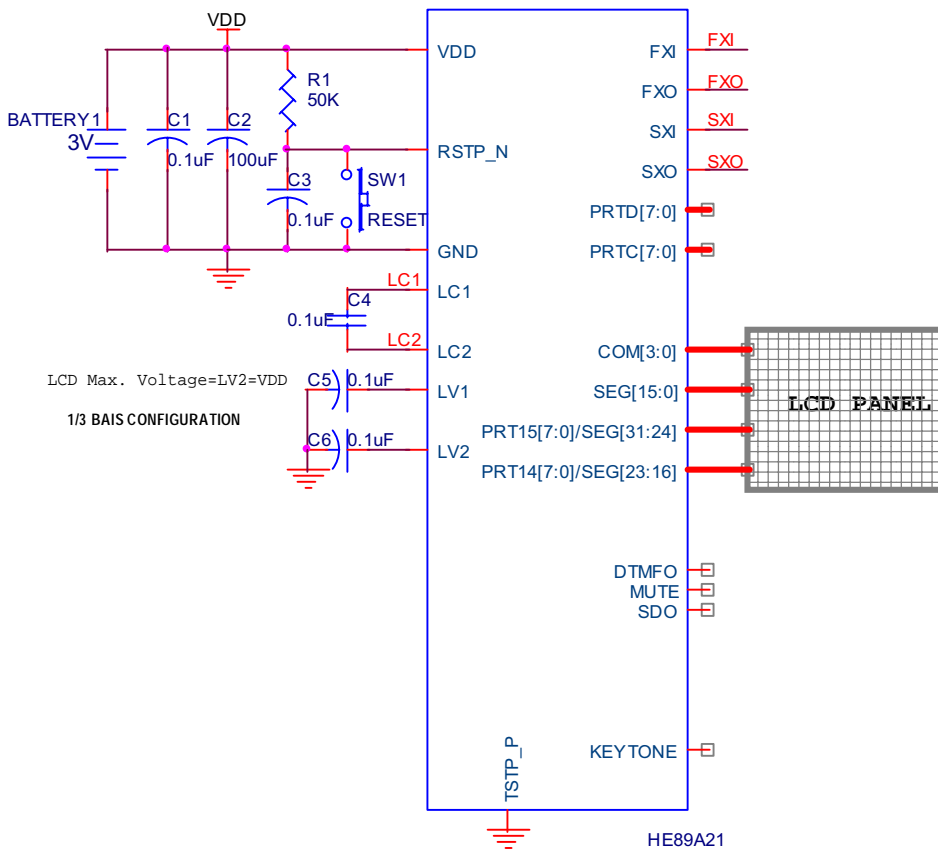
測試條件:TEMP=25^oC, VDD=3V+/-10%, GND=0V

| | PARAMETER | | CONDITION | MIN | TYP | MAX | UNIT |
|--------------------|-------------------------|-----------------------------|--|------------------------|------------------------|------------------------|------|
| I _{Fast} | NORMAL Mode Current | System | 2M ext. R/C | | 0.75 | 1 | mA |
| I _{Slow} | SLOW Mode Current | System | 32.768K X'tal LCD Disable | | 6 | 9 | μA |
| I _{Idle} | IDLE Mode Current | System | 32.769K X'tal LCD Disable | | 4 | 7 | μA |
| I _{LCD} | Extra Current if LCD ON | System | LCD Enable | | 2 | 3 | μA |
| I _{Sleep} | Sleep Mode Current | System | | | | 1 | μA |
| V _{ih} | Input High Voltage | I/O pins | | 0.8 V _{DD} | | | V |
| V _{il} | Input Low Voltage | I/O pins | | | | 0.2 V _{DD} | V |
| V _{hys} | Input Hysteresis Width | I/O, RSTP_N | Threshold=2/3V _{DD} (input from low to high) Threshold=1/3V _{DD} (input from high to low) | | 1/3 V _{DD} | | V |
| I _{oH} | Output Drive Current | I/O pull-high ^{*1} | V _{oL} =2.0V | 50 | | | μA |
| I _{oL_1} | Output Sink Current | I/O pull-low ^{*1} | V _{oL} =0.4V | 1.0 | | | mA |
| I _{iL_1} | Input Low Current | RSTP_N | V _{iL} =GND, pull high Internally | | 20 | | μA |
| I _{iL_2} | Input Low Current | I/O | V _{iL} =GND, if pull high Internally by user | | 100 | | μA |

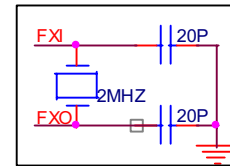
Note: *1: Drive Current Spec. for Push-Pull I/O port only
 Sink Current Spec. for both Push-Pull and Open-Drain I/O port.

I. Application Circuit

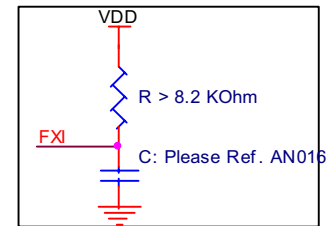
No External Parts is necessary if user adopt Internal Fast RC Clock



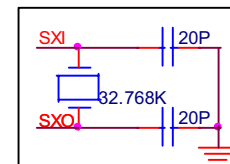
External Fast Clock: Crystal osc.



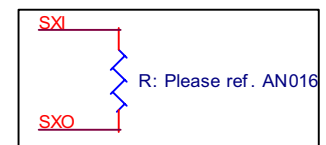
External Fast Clock: RC osc.



External Slow Clock: Crystal osc.

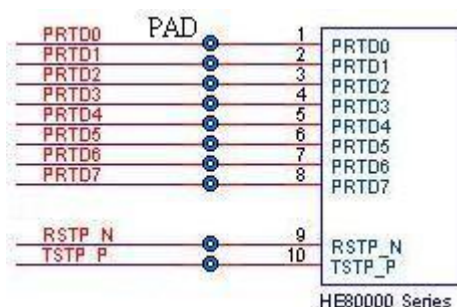


External Slow Clock: RC osc.



J. Important Note

1. LCD driving circuit must be turn off before IC goes into sleep mode.
2. Please bonds the TSTP_P, RSTP_N and PRTD[7:0] with test point on PCB (can be soldered and probed) as you can, then KB can do some IC testing job on PCB. Neither VDD nor GND connection is necessary for TSTP_P. The following figure is an example (Testing point with through hole).



K. Updated Record

| Version | Date | Section | Original Content | New Content |
|---------|-------------|---------|------------------------------|-------------|
| V3.1 | Dec 24,2001 | B, H | 2.2V (VDD operation voltage) | 2.4V |
| | | C,J | | New Section |

Данный компонент на территории Российской Федерации

Вы можете приобрести в компании MosChip.

Для оперативного оформления запроса Вам необходимо перейти по данной ссылке:

<http://moschip.ru/get-element>

Вы можете разместить у нас заказ для любого Вашего проекта, будь то серийное производство или разработка единичного прибора.

В нашем ассортименте представлены ведущие мировые производители активных и пассивных электронных компонентов.

Распределительные склады, находящиеся в России, Европе и в Китае, позволяют нам оперативно поставить необходимые компоненты в оптимальные для Вас сроки.

На всех этапах разработки и производства наши партнеры могут получить квалифицированную поддержку опытных инженеров.

Система менеджмента качества компании отвечает требованиям ISO 9001:2011

Офис по работе с юридическими лицами:

107023, г.Москва, Семеновский переулок, д.6, Бизнес-центр «АВС»

Телефон: +7 495 668-12-70 (многоканальный)

Факс: +7 495 668-12-70 (доб.304)

E-mail: info@moschip.ru

Skype отдела продаж:

| | |
|---------------|--------------|
| moschip.ru_3 | moschip.ru_6 |
| moschip.ru_4 | moschip.ru_7 |
| moschip.ru_11 | moschip.ru_8 |
| moschip.ru_12 | moschip.ru_9 |