

Features

- 6-bit, 0.5 dB LSB, 31.5 dB range
- DC to 30 GHz operation
- Integrated TTL 0/+5V control
- +/- 0.5 dB typical bit error
- Low RMS phase 4.3° @ 20 GHz
- Lead-Free 3 mm 16-lead PQFN package
- ESD protection for all controls and bias

Description

The MAAD-011021 is a wide band 6-bit digital attenuator covering DC to 30 GHz. The attenuation bit-values are 0.5 dB LSB (least significant bit), 1, 2, 4, 8, and 16 dB for a total attenuation of 31.5 dB. Attenuation error is typically less than +/- 0.5 dB, RMS phase error is less than 5 degrees at 20 GHz, and typical insertion loss is 7.2 dB at 15 GHz. Return loss is typically 12 dB across all frequencies and attenuation states.

The attenuator integrates an inverter to allow a single control for series/shunt attenuation. Inverter requires a -5 V supply (V_{CC}) and 17 mA typical, logic is 0 V / +5 V.

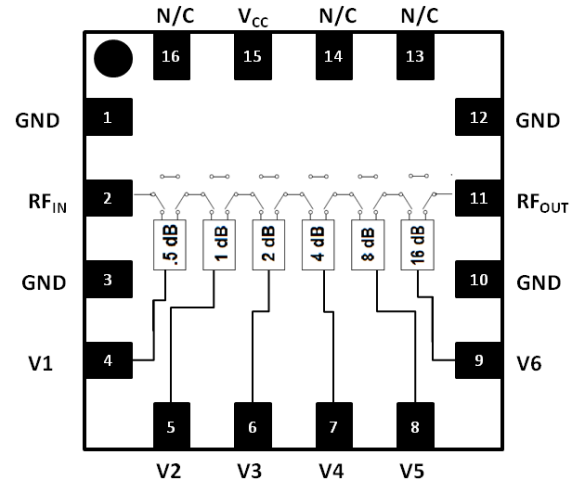
The device is also available as bare die; order part number MAAD-011021-0GPDIE.

Ordering Information^{1,2}

Part Number	Package
MAAD-011021	Bulk Part
MAAD-011021-TR0500	500 piece reel
MAAD-011021-SMB	Sample Board

1. Reference Application Note M513 for reel size information.
2. All sample boards include 3 loose parts.

Functional Schematic



Pin Configuration³

Pin No.	Function	Pin No.	Function
1	Ground	9	V6 (16 dB)
2	RF Input	10	Ground
3	Ground	11	RF Output
4	V1 (0.5 dB)	12	Ground
5	V2 (1 dB)	13	No Connection
6	V3 (2 dB)	14	No Connection
7	V4 (4 dB)	15	V_{CC} -5 V Bias
8	V5 (8 dB)	16	No Connection
		17	Pad ⁴

3. MACOM recommends connecting unused package pins to ground.
4. The exposed pad centered on the package bottom must be connected to RF, DC and thermal ground.

* Restrictions on Hazardous Substances, European Union Directive 2011/65/EU.

Digital Attenuator, 6-Bit, 0.5 dB LSB step DC - 30 GHz

Rev. V2

Electrical Specifications:

$T_A = +25^\circ\text{C}$, $V_{CC} = -5\text{ V}$, $Z_0 = 50\ \Omega$ (unless otherwise specified)

Parameter	Test Conditions	Units	Min.	Typ.	Max.
Insertion Loss	DC - 15 GHz	dB	—	6.0	—
	15 - 30 GHz			8.0	—
	1 GHz			5.0	5.5
	10 GHz			7.0	8.0
	15 GHz			7.5	8.5
Return Loss	DC - 30 GHz	dB	—	15	—
Attenuation Bits	10 GHz	dB	0.3	0.4	0.5
	LSB: 0.5 dB		0.8	1.0	1.1
	Bit 2: 1 dB		1.8	2.0	2.2
	Bit 4: 4 dB		3.8	4.0	4.2
	Bit 5: 8 dB		7.6	8.3	8.9
	Bit 6: 16 dB		16.0	17.0	18.0
Attenuation Error RMS	DC - 15 GHz	dB	—	0.3	—
	15 - 30 GHz			1.2	—
Phase Error RMS	DC - 15 GHz	deg	—	2.6	—
	15 - 30 GHz			7.2	—
Input $P_{0.1\text{dB}}$	DC - 30 GHz	dBm	—	24	—
Input IP3	DC - 30 GHz	dBm	—	38	—
Switching Time	—	ns	—	45	—
Control Logic	—	V	—	0 / +5	—
Control Current	each control bit @ +5 V	mA	—	6	—
Supply Current	Supply = -5 V	mA	—	17	45

Absolute Maximum Ratings^{5,6}

Parameter	Absolute Maximum
Input Power	+35 dBm
Operating Voltage	-5 V
Control Voltage	0 / +5 V
Operating Temperature	-40°C to +85°C
Storage Temperature	-65°C to +150°C

- Exceeding any one or combination of these limits may cause permanent damage to this device.
- MACOM does not recommend sustained operation near these survivability limits.

Handling Procedures

Please observe the following precautions to avoid damage:

Static Sensitivity

Gallium Arsenide Integrated Circuits are sensitive to electrostatic discharge (ESD) and can be damaged by static electricity. Proper ESD control techniques should be used when handling these Class 1A devices.

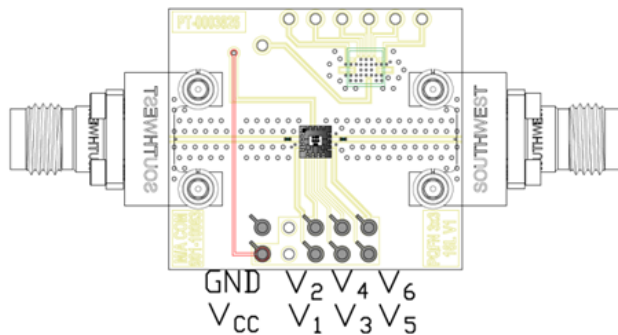
Truth Table^{7,8}

V1 0.5 dB	V2 1 dB	V3 2 dB	V4 4 dB	V5 8 dB	V6 16 dB	State
low	low	low	low	low	low	0 dB
high	low	low	low	low	low	0.5 dB
low	high	low	low	low	low	1 dB
low	low	high	low	low	low	2 dB
low	low	low	high	low	low	4 dB
low	low	low	low	high	low	8 dB
low	low	low	low	low	high	16 dB
high	high	high	high	high	high	31.5 dB

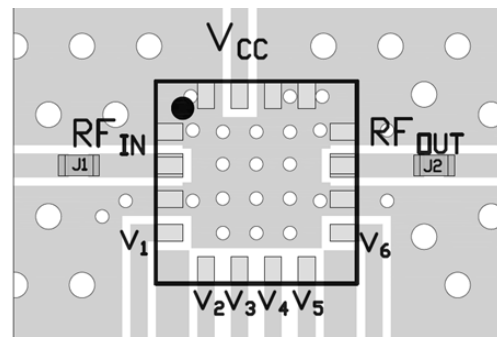
7. high = +5 V @ 5.7 mA, low = 0 V @ 1.0 mA.

8. Any combination of the above states will provide attenuation approximately equal to the sum of the bits selected.

Evaluation Board



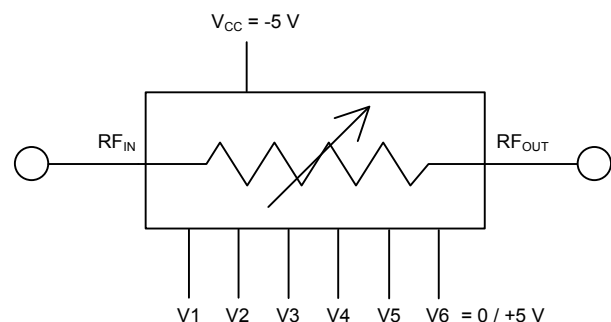
PCB Layout



Parts List

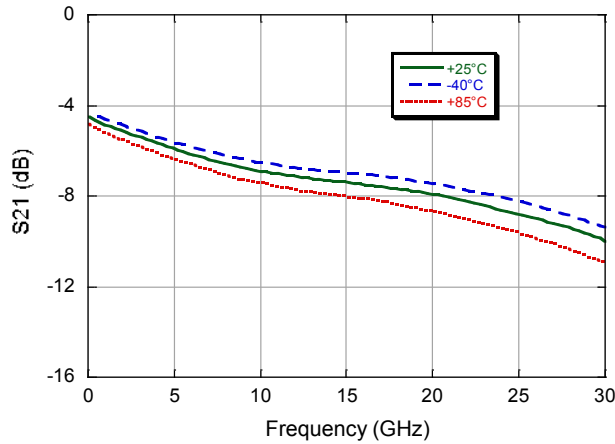
Part	Value	Case Style
J1, J2	0 Ω	0201

Application Schematic

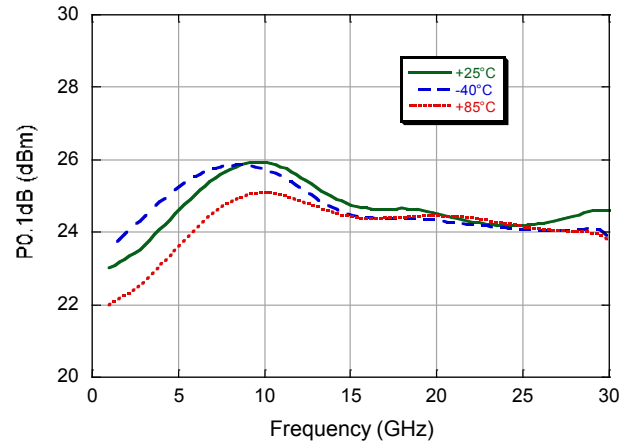


Typical Performance Curves

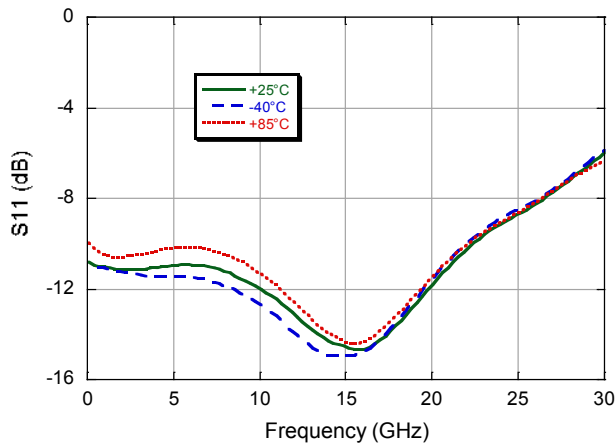
Insertion Loss



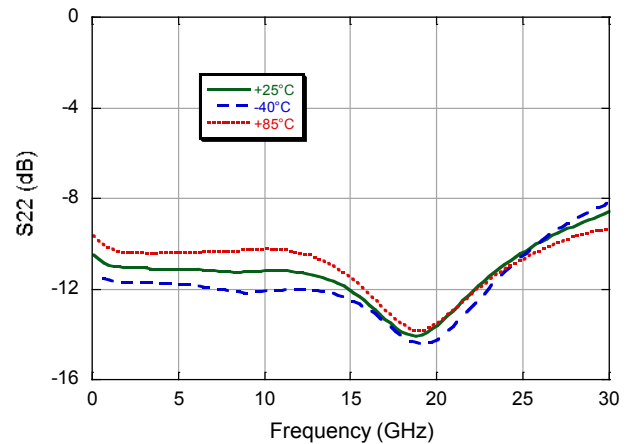
P0.1dB Compression



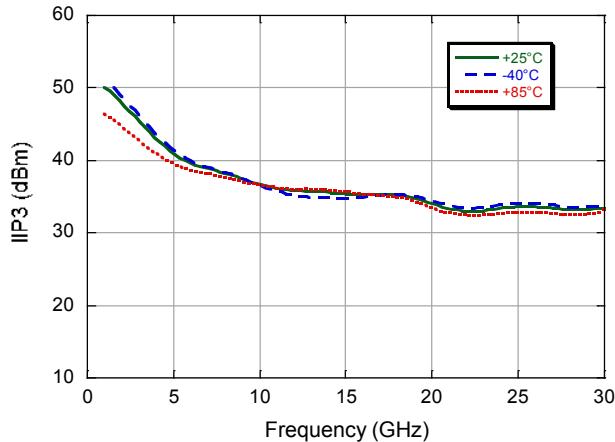
Maximum Input Return Loss (all states)



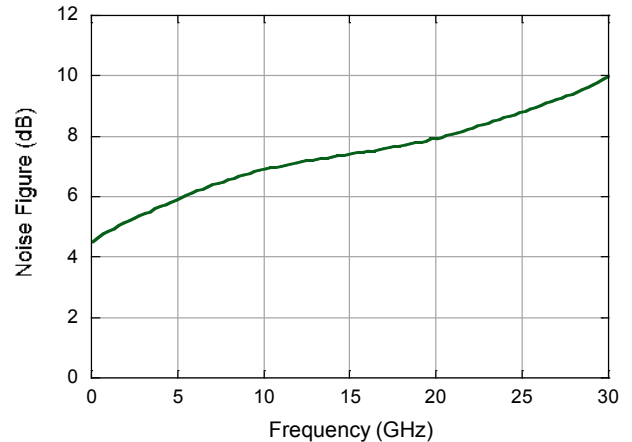
Maximum Output Return Loss (all states)



Input IP3 (reference states)

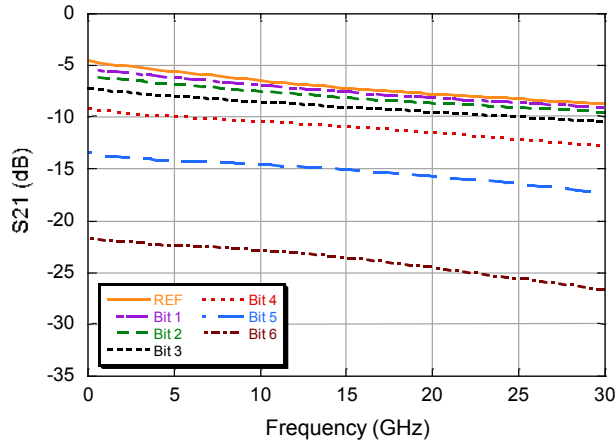


Noise Figure (reference states)

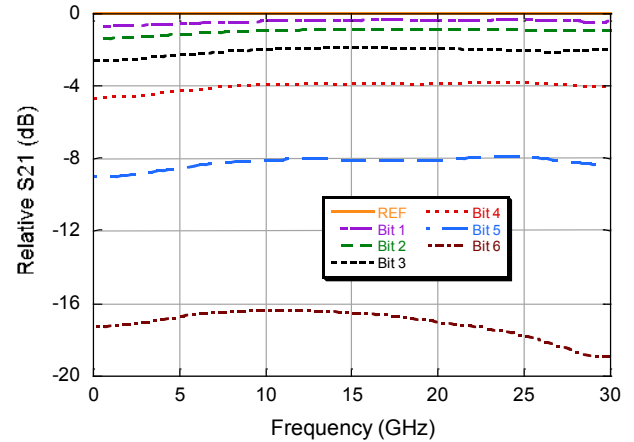


Typical Performance Curves

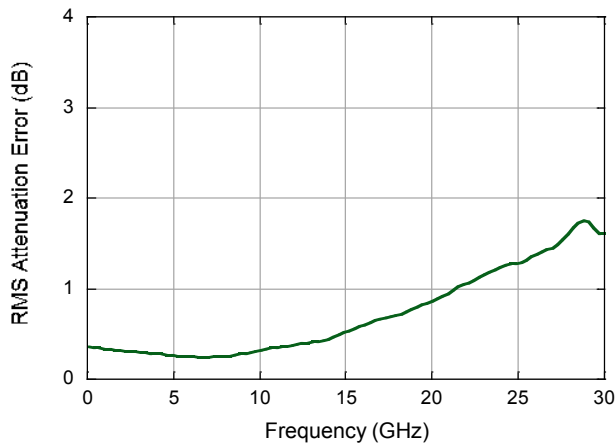
Attenuation



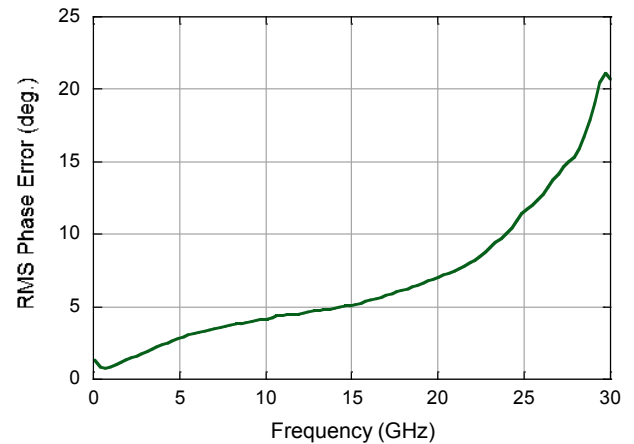
Relative Attenuation



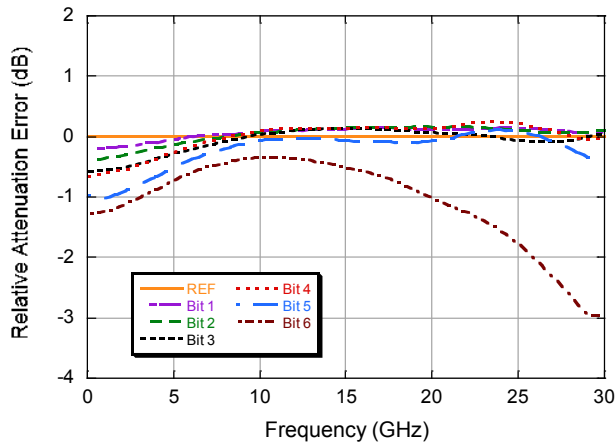
RMS Attenuation Error



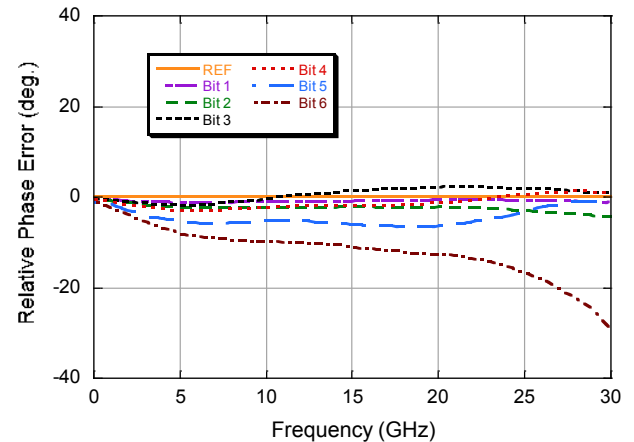
RMS Phase Error



Relative Attenuation Error

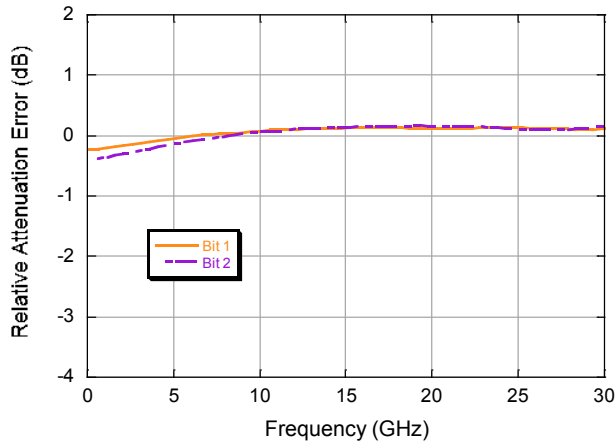


Relative Phase Error

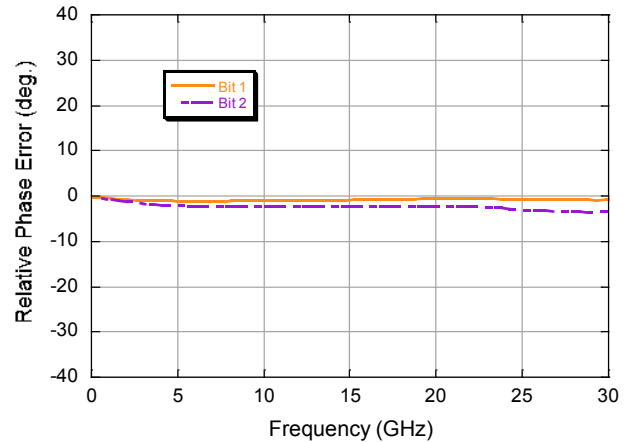


Typical Performance Curves

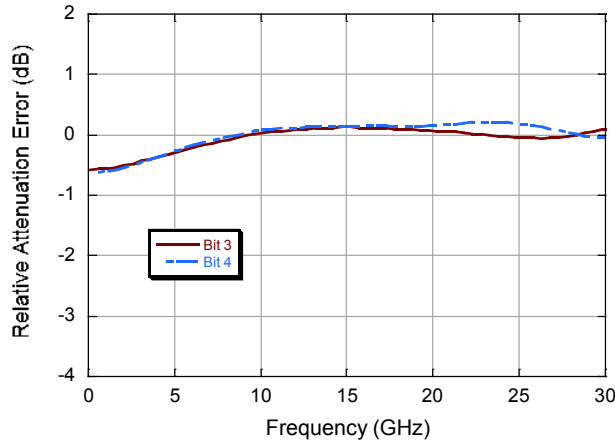
Relative Attenuation Error (Bit 1, 2)



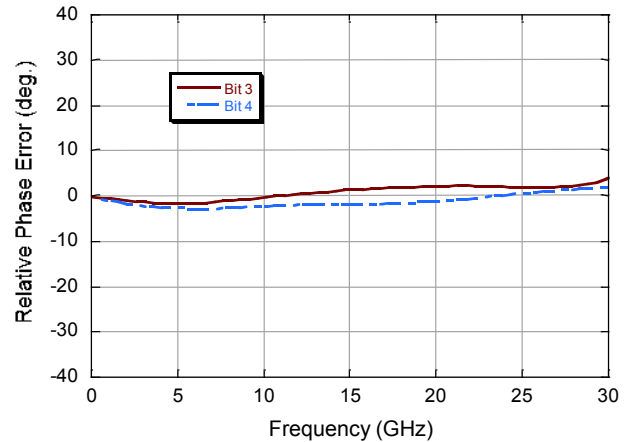
Relative Phase Error (Bit 1, 2)



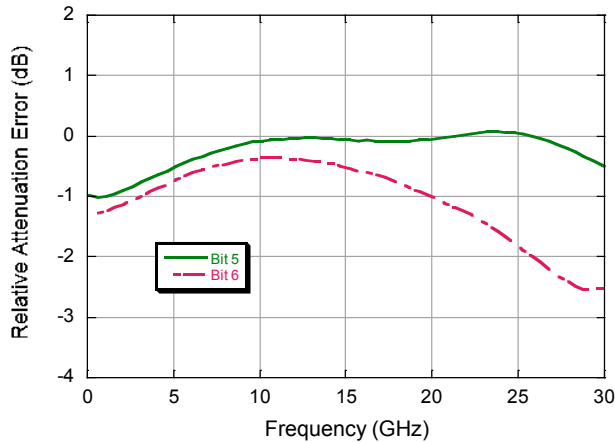
Relative Attenuation Error (Bit 3, 4)



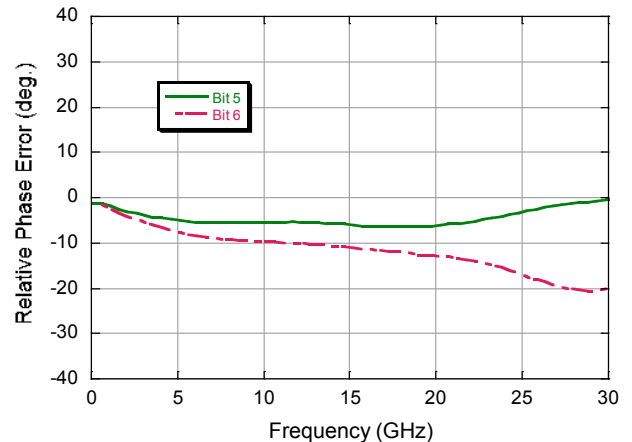
Relative Phase Error (Bit 3, 4)



Relative Attenuation Error (Bit 5, 6)

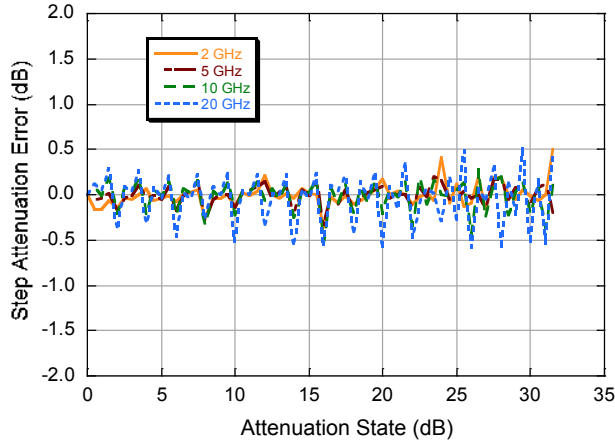


Relative Phase Error (Bit 5, 6)

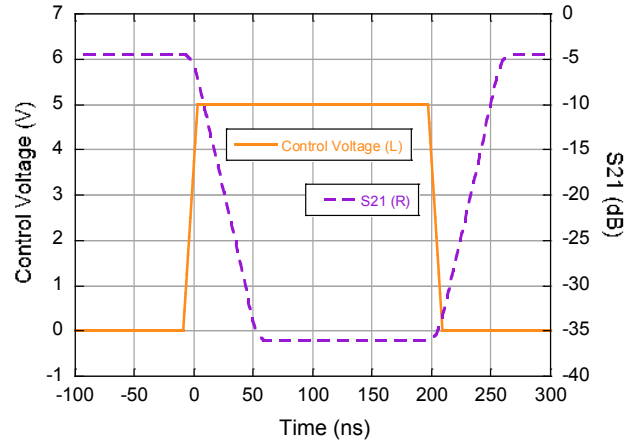


Typical Performance Curves

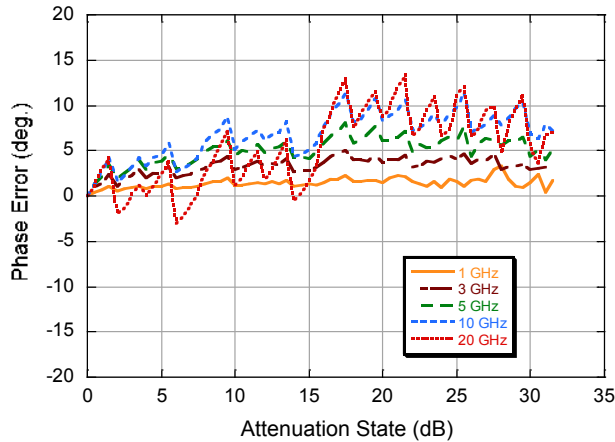
Step Error Between Successive States



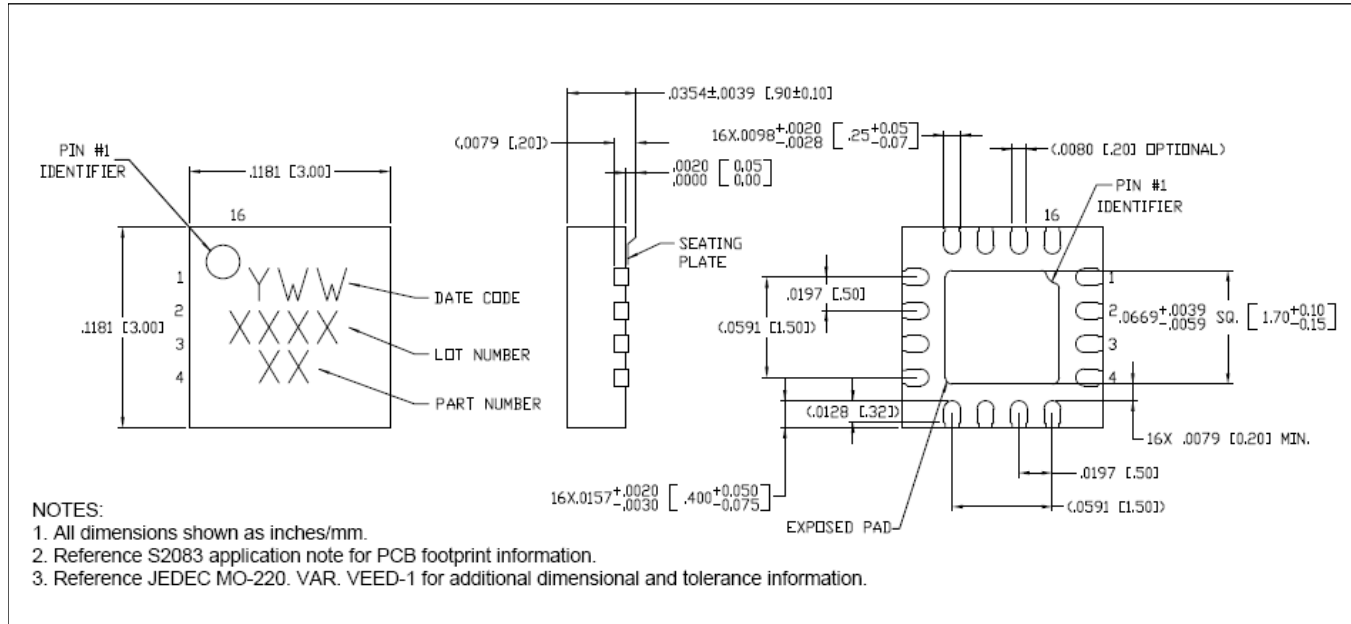
Switching Time



Phase Error over Attenuation States



Lead-Free 3 mm 16-Lead PQFN†



† Reference Application Note S2083 for lead-free solder reflow recommendations.
Meets JEDEC moisture sensitivity level 1 requirements.
Plating is 100% matte tin over copper.

Application Information

The MAAD-011021 is designed for extremely wide band and robust attenuation applications. It uses a combination of series and shunt cold channel, multiple-gate FETs to achieve high linearity and accurate attenuation repeatability. We recommend using double bonds at both RF input and output, as well as keeping bondwires as short as possible. This part is the most accurate for X-band applications.

The MAAD-011021 has a built in inverter function which allows a single +5 V / 0 V single control for each bit. This is useful if you require very fast switching times and have +5 V / 0 V available.

The MAAD-011021 is DC-coupled at both RF_{IN} and RF_{OUT}. If operation at DC is desired, 0 Ω jumpers (or continuous 50 Ω RF lines) should be used in series with RF_{IN} and RF_{OUT}. Customer should take extra care to ensure that the voltage at both RF_{IN} and RF_{OUT} are 0 V; excess voltage can damage the part. If operation at DC is not required, simply use series blocking capacitors.

Данный компонент на территории Российской Федерации

Вы можете приобрести в компании MosChip.

Для оперативного оформления запроса Вам необходимо перейти по данной ссылке:

<http://moschip.ru/get-element>

Вы можете разместить у нас заказ для любого Вашего проекта, будь то серийное производство или разработка единичного прибора.

В нашем ассортименте представлены ведущие мировые производители активных и пассивных электронных компонентов.

Нашей специализацией является поставка электронной компонентной базы двойного назначения, продукции таких производителей как XILINX, Intel (ex.ALTERA), Vicor, Microchip, Texas Instruments, Analog Devices, Mini-Circuits, Amphenol, Glenair.

Сотрудничество с глобальными дистрибьюторами электронных компонентов, предоставляет возможность заказывать и получать с международных складов практически любой перечень компонентов в оптимальные для Вас сроки.

На всех этапах разработки и производства наши партнеры могут получить квалифицированную поддержку опытных инженеров.

Система менеджмента качества компании отвечает требованиям в соответствии с ГОСТ Р ИСО 9001, ГОСТ РВ 0015-002 и ЭС РД 009

Офис по работе с юридическими лицами:

105318, г.Москва, ул.Щербаковская д.3, офис 1107, 1118, ДЦ «Щербаковский»

Телефон: +7 495 668-12-70 (многоканальный)

Факс: +7 495 668-12-70 (доб.304)

E-mail: info@moschip.ru

Skype отдела продаж:

moschip.ru

moschip.ru_4

moschip.ru_6

moschip.ru_9