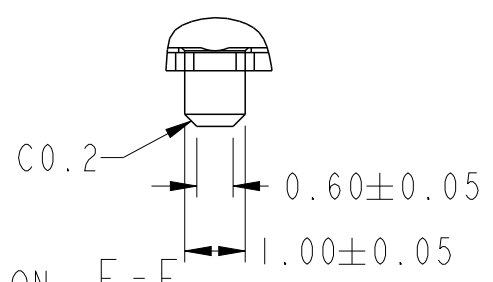
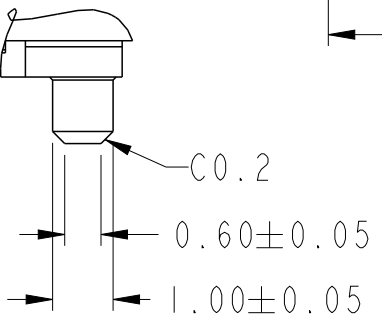
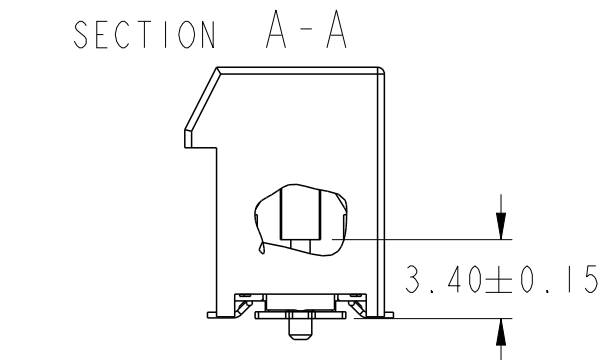
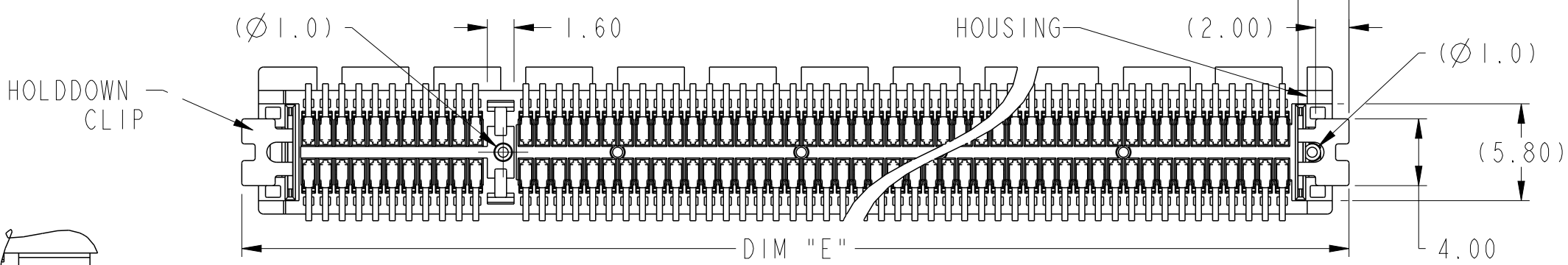
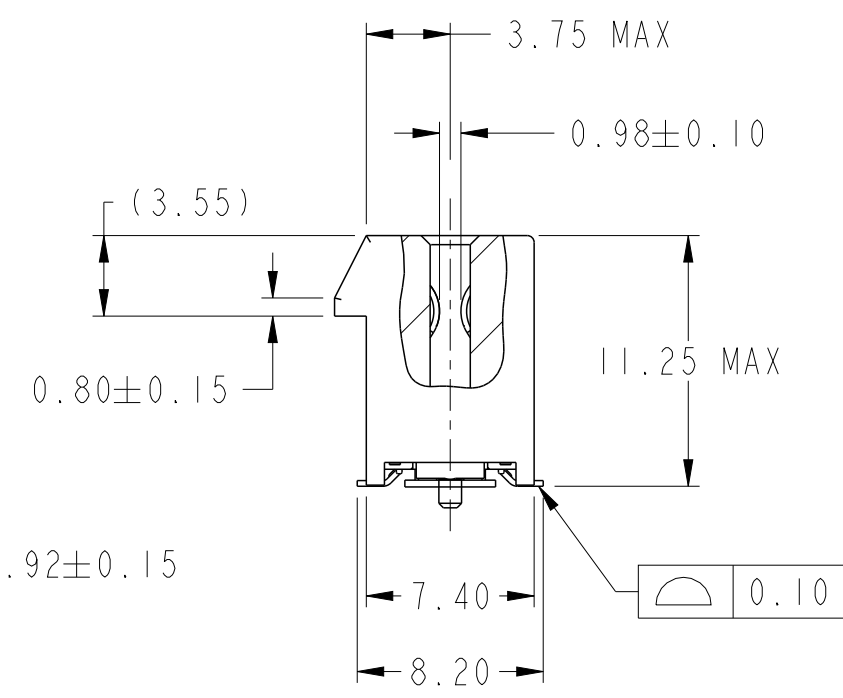
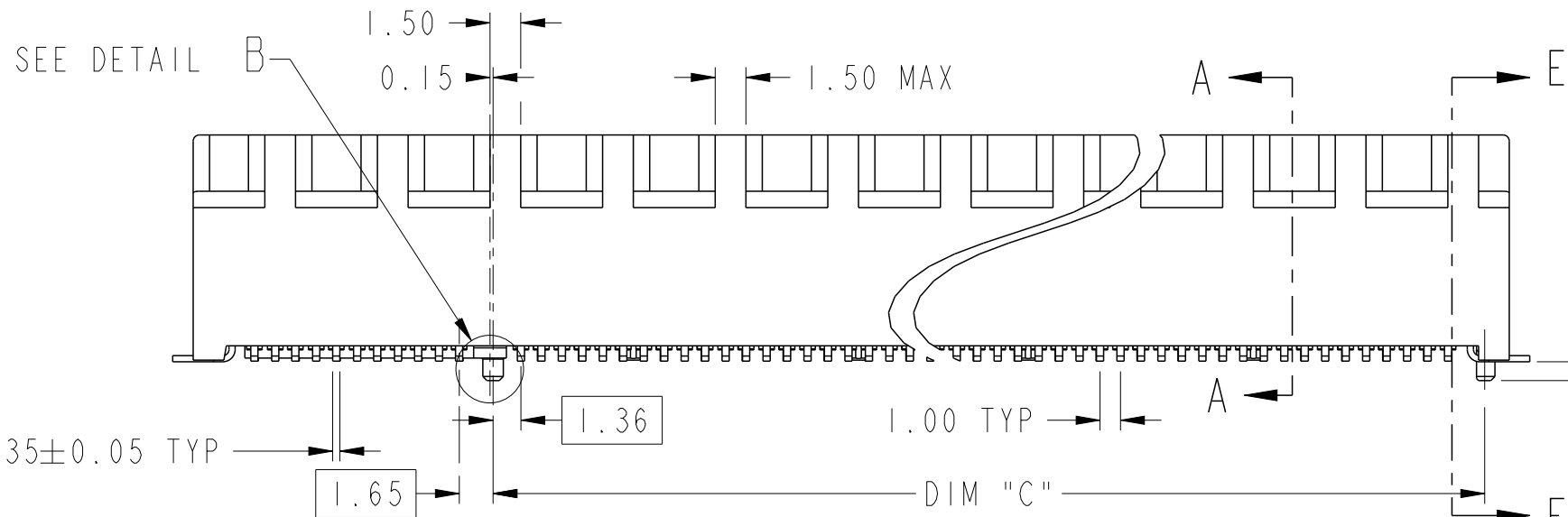
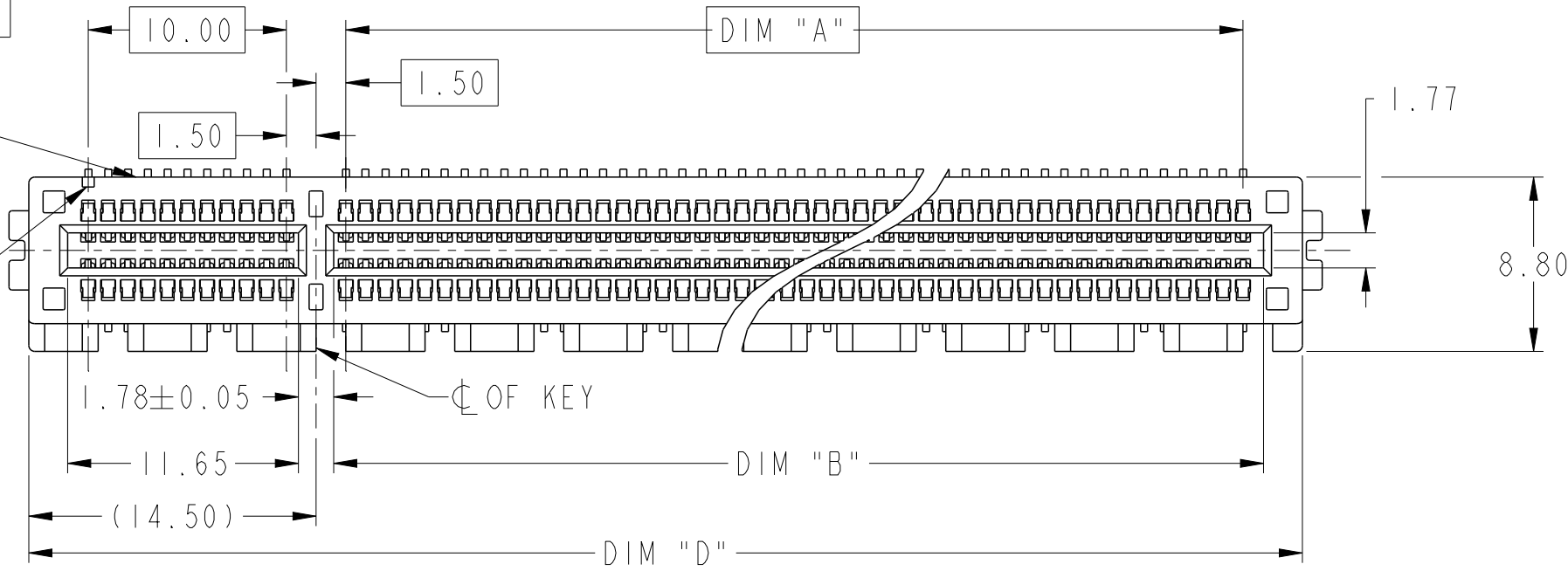


PRODUCT PARTNUMBER  
10146065-XXXXLF

PARTNO &  
DATECODE

#AI IDENTIFIER



DETAIL B  
SCALE 8:1

SECTION E-E  
SCALE 8:1

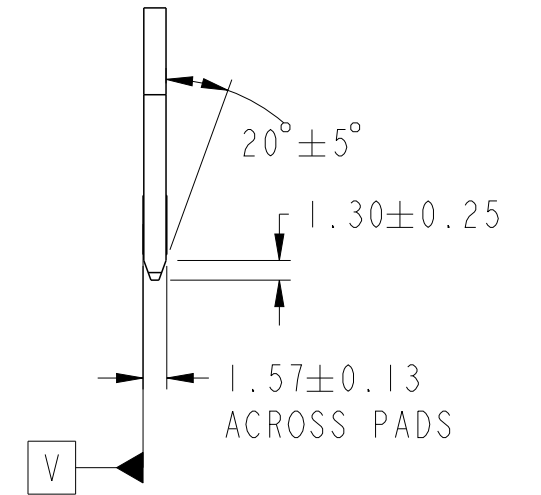
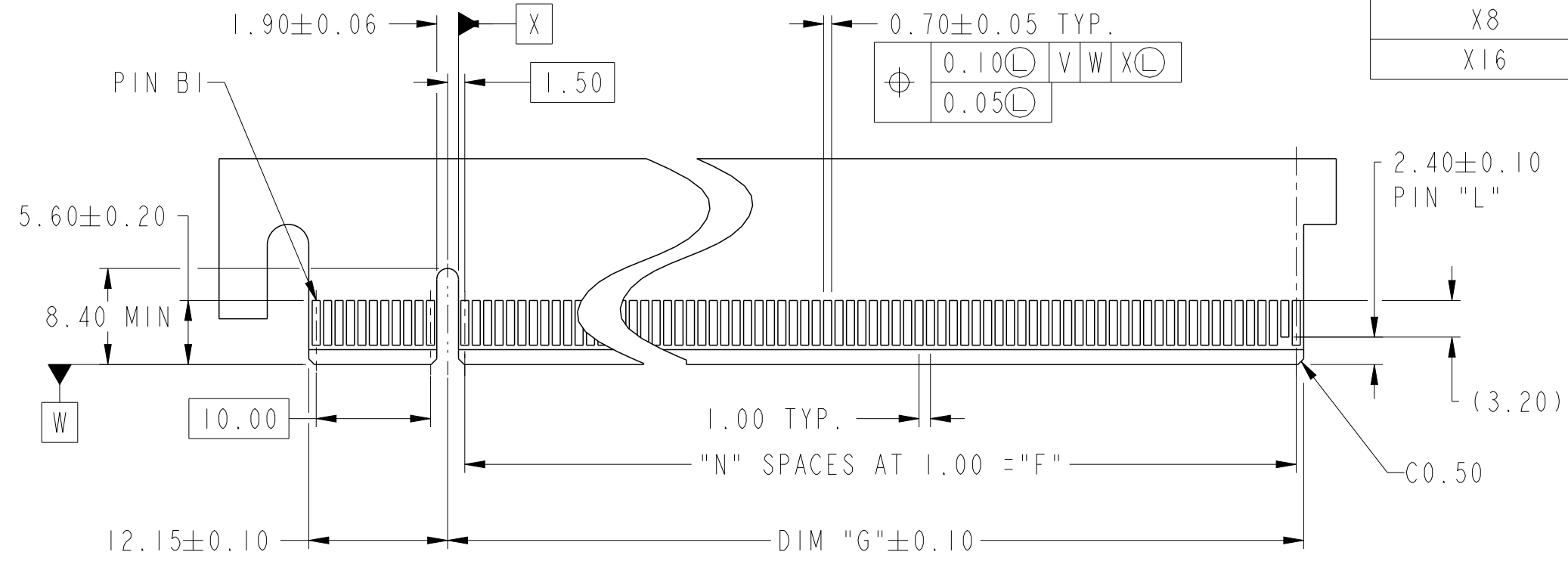
SECTION E-E  
SCALE 3:1

|                                       |                     |         |                |            |              |    |                        |               |           |                |             |
|---------------------------------------|---------------------|---------|----------------|------------|--------------|----|------------------------|---------------|-----------|----------------|-------------|
| spec ref                              | -                   | dr      | Cheong, Matthe | 2017/11/06 | projection   | MM | size                   | A3            | scale     | 3:1            |             |
| tolerance std                         | ISO 406<br>ISO 1101 | eng     | Cheong, Matthe | 2018/07/19 |              |    | ecn no                 | ELX-S-30728-1 | rel level | Released       |             |
| TOLERANCES UNLESS OTHERWISE SPECIFIED |                     | chr     | -              | app        |              |    | Koon-Poh Tay           | 2018/07/26    |           | product family | PCI express |
| surface                               | ISO 1302            | linear  | 0.X            | ±0.30      | Amphenol FCI |    | PCI Express 4.0        | dwg no        | 10146065  | rev            | E           |
|                                       |                     |         | 0.XX           | ±0.20      | www.fci.com  |    | SMT Type               |               |           |                |             |
|                                       |                     | angular | 0°             | ±2°        | cat. no.     | -  | Product - Customer Drw | sheet 1 of 4  |           |                |             |

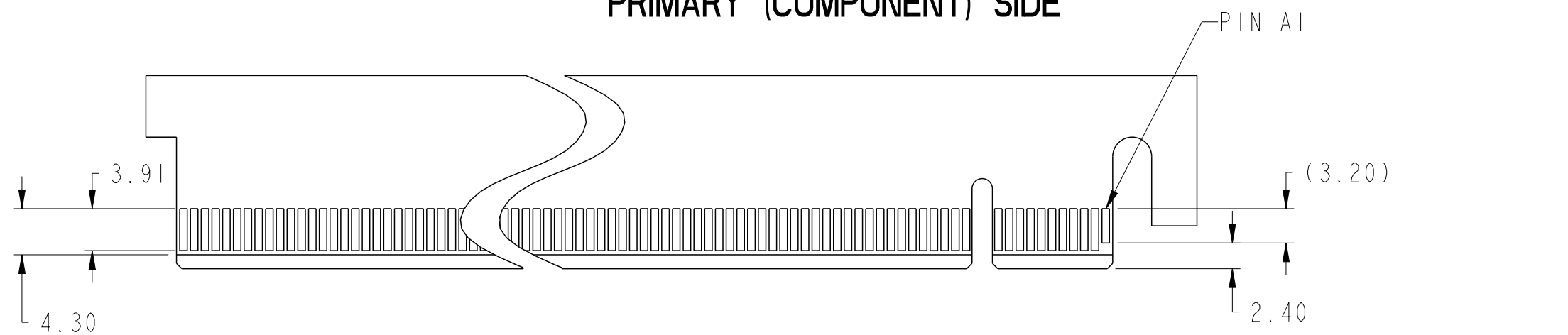
Amphenol FCI

© 2016 AFCI

| CONNECTOR LINK WIDTH | POSITION | N  | DIM "G" | DIM "F" | PIN "L" |
|----------------------|----------|----|---------|---------|---------|
| X1                   | 36       | 6  | 8.15    | 6.00    | B17     |
| X4                   | 64       | 20 | 22.15   | 20.00   | B31     |
| X8                   | 98       | 37 | 39.15   | 37.00   | B48     |
| X16                  | 164      | 70 | 72.15   | 70.00   | B81     |



← I/O PANEL DIRECTION  
PRIMARY (COMPONENT) SIDE

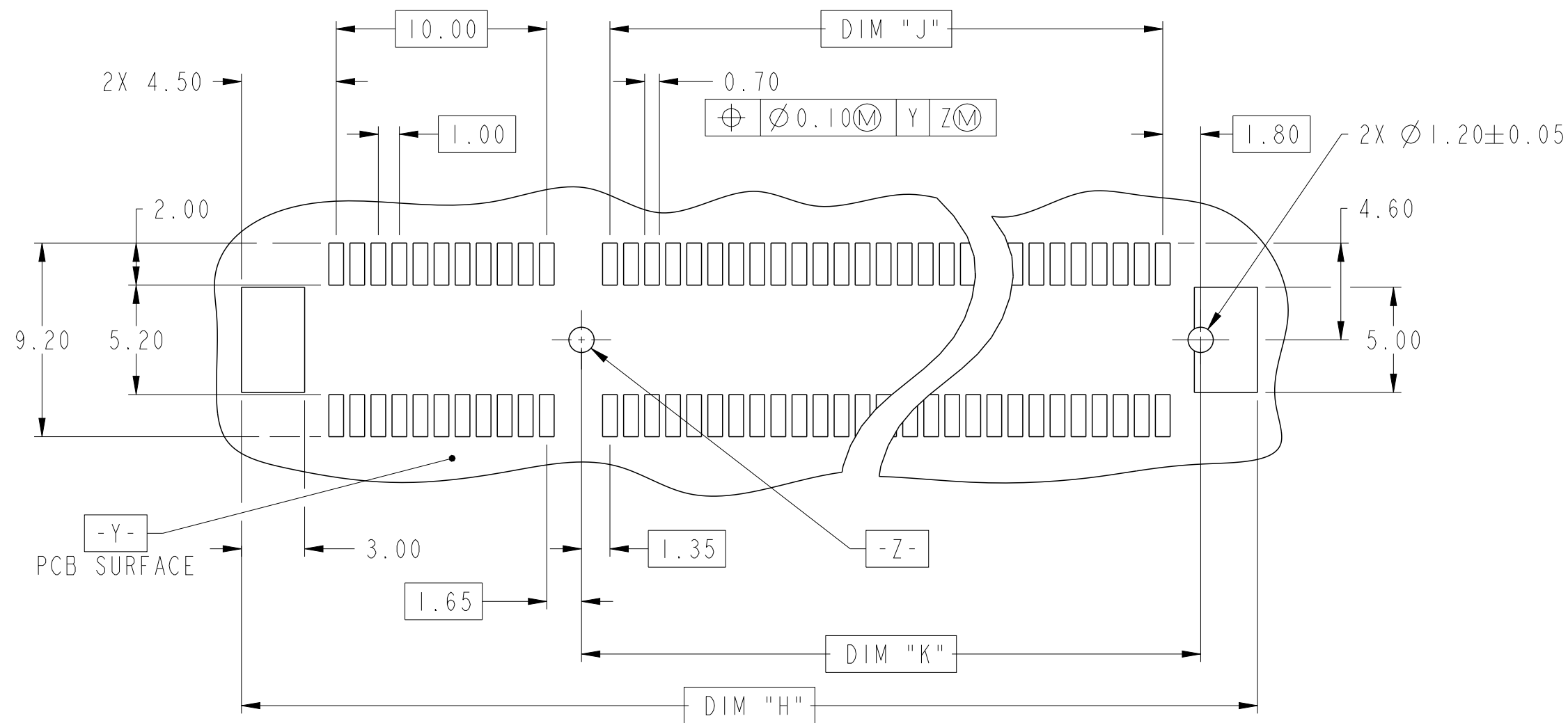


I/O PANEL DIRECTION →  
SECONDARY (SOLDER) SIDE

Amphenol  
FCi  
© 2016 AFCI

- NO TIE BAR PERMITTED FROM CARD EDGE TO LEADING EDGE OF PAD FOR PIN AI AND PIN "L".
- CHAMFER EDGES MUST BE FREE OF CUTTING BURRS.
- TOLERANCE : ± 0.13

|                                       |                     |             |                |            |                        |    |                |               |           |          |   |
|---------------------------------------|---------------------|-------------|----------------|------------|------------------------|----|----------------|---------------|-----------|----------|---|
| spec ref                              | -                   | dr          | Cheong, Matthe | 2017/11/06 | projection             | MM | size           | A3            | scale     | 2:1      |   |
| tolerance std                         | ISO 406<br>ISO 1101 | eng         | Cheong, Matthe | 2018/07/19 |                        |    | ecn no         | ELX-S-30728-1 |           |          |   |
| TOLERANCES UNLESS OTHERWISE SPECIFIED |                     | chr         | -              | -          |                        |    | product family | PCI express   | rel level | Released |   |
| surface                               | linear              | appr        | Koon-Poh Tay   | 2018/07/26 | PCI Express 4.0        |    | dwg no         | 10146065      |           | rev      | E |
| ISO 1302                              | angular             | www.fci.com |                | cat. no.   | Product - Customer Drw |    | sheet 2 of 4   |               |           |          |   |



### RECOMMENDED PCB LAYOUT, PAD TYPE

| POSITION       | DIMENSIONS |                      |              |              |              |              |       |              |
|----------------|------------|----------------------|--------------|--------------|--------------|--------------|-------|--------------|
|                | A          | B $^{+0.15}_{-0.05}$ | C $\pm 0.10$ | D $\pm 0.23$ | E $\pm 0.20$ | H $\pm 0.10$ | J     | K $\pm 0.10$ |
| 36             | 6.00       | 7.65                 | 9.15         | 25.00        | 27.00        | 28.00        | 6.00  | 9.15         |
| 64             | 20.00      | 21.65                | 23.15        | 39.00        | 41.00        | 42.00        | 20.00 | 23.15        |
| 98             | 37.00      | 38.65                | 40.15        | 56.00        | 58.00        | 59.00        | 37.00 | 40.15        |
| 164            | 70.00      | 71.65                | 73.15        | 89.00        | 91.00        | 92.00        | 70.00 | 73.15        |
| 98 (SEE NOTE)  | 37.00      | 38.65                | 40.15        | 56.00        | 56.60        | 59.00        | 37.00 | 40.15        |
| 164 (SEE NOTE) | 70.00      | 71.65                | 73.15        | 89.00        | 89.60        | 92.00        | 70.00 | 73.15        |

|               |                     |                                       |                |                 |                 |                |                        |                |               |              |          |
|---------------|---------------------|---------------------------------------|----------------|-----------------|-----------------|----------------|------------------------|----------------|---------------|--------------|----------|
| spec ref      | -                   | dr                                    | Cheong, Matthe | 2017/11/06      | projection      | MM             | size                   | A3             | scale         | 4:1          |          |
| tolerance std | ISO 406<br>ISO 1101 | TOLERANCES UNLESS OTHERWISE SPECIFIED |                |                 | eng             | Cheong, Matthe | 2018/07/19             | ecn no         | ELX-S-30728-1 |              |          |
| surface       | -                   | chr                                   | -              | -               | appr            | Koon-Poh Tay   | 2018/07/26             | product family | PCI express   | rel level    | Released |
| ISO 1302      | linear              | 0.X                                   | $\pm 0.30$     | Amphenol<br>FCi | PCI Express 4.0 |                |                        | dwg no         | 10146065      |              | rev      |
|               |                     | 0.XX                                  | $\pm 0.20$     |                 | SMT Type        |                |                        |                |               |              |          |
|               | angular             | 0°                                    | $\pm 2^\circ$  |                 | www.fci.com     |                |                        |                |               |              |          |
| cat. no.      |                     |                                       |                |                 | -               |                | Product - Customer Drw |                |               | sheet 3 of 4 |          |

PRODUCT NUMBER CODE

10146065- □□□□□ LF

HOUSING COLOR

I: BLACK

HOLDDOWN CLIP

0: NORMAL  
I: SHORTER (BY 0.7MM PER SIDE)

CONTACT AREA PLATING

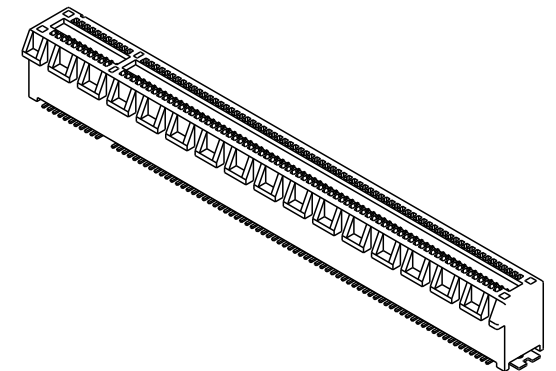
1: 30u" Au  
2: 15u" Au

NO. OF POSITION

0: 36 POSITIONS  
1: 64 POSITIONS  
2: 98 POSITIONS  
3: 164 POSITIONS

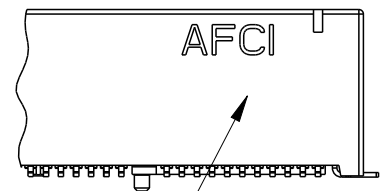
PACKAGING OPTIONS

A: HARD TRAY (DIM: 323 x 136 x 19) WITH KAPTON TAPE, 22MM (164 POS)  
B: HARD TRAY (DIM: 323 x 136 x 19) WITH KAPTON TAPE, 86.5MM (164 POS)   
Q: HARD TRAY (DIM: 323 x 136 x 19) (98 & 164 POS)  
C: SOFT TRAY (317.5 x 235 x 18) WITH PICK-UP CAP (36 & 64 POS)  
T: SOFT TRAY (317.5 x 235 x 18) WITH KAPTON TAPE, 22MM (36 & 64 POS)  
W: HARD TRAY (DIM: 330 x 235 x 19.3) WITH KAPTON TAPE, 30MM (98 & 164 POS)  
X: HARD TRAY (DIM: 330 x 235 x 19.3) WITH PICK UP CAP (98 & 164 POS)  
Y: HARD TRAY (DIM: 330 x 235 x 19.3) WITH KAPTON TAPE, 22MM (98 & 164 POS)  
Z: HARD TRAY (DIM: 330 x 235 x 19.3) WITH KAPTON TAPE, 8.56MM (164 POS)



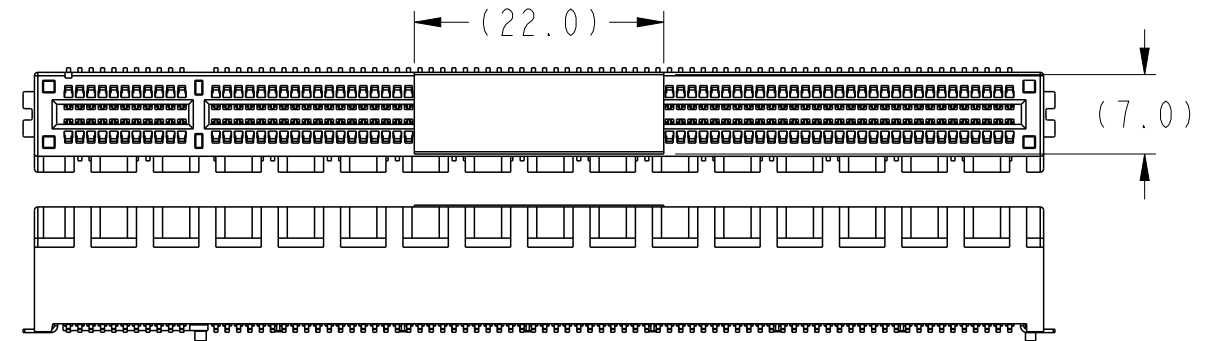
NOTES:

- MATERIAL:  
HOUSING: LCP  
CONTACT: COPPER ALLOY.  
HOLDDOWN CLIP: COPPER ALLOY
- PLATING:  
CONTACT: UNDERPLATE: 50u" NICKEL OVER ALL.  
SOLDER AREA: 100u" TIN (LEAD FREE).  
MATING AREA: SEE PRODUCT NUMBER CODE.  
HOLDDOWN CLIP: 100u" TIN OVER 50 u" NICKEL.
- PRODUCT SPECIFICATION: GS-12-1406
- PRODUCT MEETS EUROPEAN UNION DIRECTIVES AND OTHER COUNTRY REGULATIONS AS DESCRIBED IN GS-47-004.
- DATE CODE "MMDDYYL", MMDDYY IS ASSEMBLY DATE. L IS AFCI PRODUCTION SITE.
- THE HOUSING WILL WITHSTAND EXPOSURE TO 260° PEAK TEMPERATURE FOR 10 SECONDS IN A CONVECTION, INFRA-RED OR VAPOR PHASE REFLOW OVEN.
- PARTNO: 10146065-\*\*2\*1LF & 10146065-\*\*3\*1LF, ARE OPTIONS WITH SHORTER HOLDDOWN CLIP FLAT AND PAD LENGTH

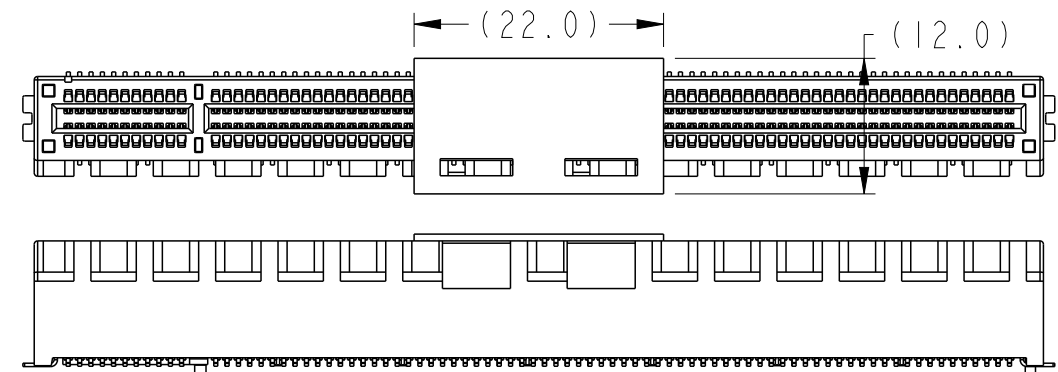


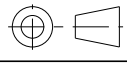


DATA CODE & PARTNO

POSITION OF KAPTON TAPE



POSITION OF PICK UP CAP



|                                       |         |       |                |   |  |                        |               |              |     |
|---------------------------------------|---------|-------|----------------|---|--|------------------------|---------------|--------------|-----|
| spec ref -                            |         | dr    | Cheong, Matthe | 2017/11/06  | <br>projection<br>MM<br> | size                   | A3            | scale        | 2:1 |
| tolerance std                         |         | eng   | Cheong, Matthe | 2018/07/19  |  | ecn no                 | ELX-S-30728-1 |              |     |
| ISO 406<br>ISO 1101                   |         | chr   | -              | -   |  | rel level              | Released      |              |     |
| TOLERANCES UNLESS OTHERWISE SPECIFIED |         | appr  | Koon-Poh Tay   | 2018/07/26  |  | product family         | PCI express   |              |     |
| surface                               | linear  | 0.X   | ±0.30          | <br>PCI Express 4.0<br>SMT Type<br>www.fci.com | dwg no   | 10146065               |               |              |     |
|                                       |         | 0.XX  | ±0.20          |   | rel level  | Released               |               |              |     |
|                                       |         | 0.XXX | ±0.1           |   | cat. no.   | Product - Customer Drw |               |              |     |
| ISO 1302                              | angular | 0°    | ±2°            |   |  |                        |               | sheet 4 of 4 |     |

## Данный компонент на территории Российской Федерации

### Вы можете приобрести в компании MosChip.

Для оперативного оформления запроса Вам необходимо перейти по данной ссылке:

<http://moschip.ru/get-element>

Вы можете разместить у нас заказ для любого Вашего проекта, будь то серийное производство или разработка единичного прибора.

В нашем ассортименте представлены ведущие мировые производители активных и пассивных электронных компонентов.

Нашей специализацией является поставка электронной компонентной базы двойного назначения, продукции таких производителей как XILINX, Intel (ex.ALTERA), Vicor, Microchip, Texas Instruments, Analog Devices, Mini-Circuits, Amphenol, Glenair.

Сотрудничество с глобальными дистрибьюторами электронных компонентов, предоставляет возможность заказывать и получать с международных складов практически любой перечень компонентов в оптимальные для Вас сроки.

На всех этапах разработки и производства наши партнеры могут получить квалифицированную поддержку опытных инженеров.

Система менеджмента качества компании отвечает требованиям в соответствии с ГОСТ Р ИСО 9001, ГОСТ РВ 0015-002 и ЭС РД 009

### Офис по работе с юридическими лицами:

105318, г.Москва, ул.Щербаковская д.3, офис 1107, 1118, ДЦ «Щербаковский»

Телефон: +7 495 668-12-70 (многоканальный)

Факс: +7 495 668-12-70 (доб.304)

E-mail: [info@moschip.ru](mailto:info@moschip.ru)

Skype отдела продаж:

moschip.ru

moschip.ru\_4

moschip.ru\_6

moschip.ru\_9