

400M Series - 0603 Low Resistance Fast Acting Fuse



Description

The 400M Series is an 0603 Fast Acting fuse which offers relatively low resistance best suited for application which requires such. The part is 100% Lead-free, RoHS compliant, and Halogen-free fuses designed to provide over-current protection to circuits that operate under high operating temperatures of up to 150°C.

Features

- Operating temperature from -55°C to 150°C
- Suitable for both leaded and lead-free soldering
- 100% Lead-free, RoHS compliant, and Halogenfree

Applications

- Burn-in Test

Electrical Characteristics

| % of Ampere Rating | Opening Time at 25°C |
|--------------------|----------------------|
| 100% | 4 Hours Minimum |
| 200% | 5 Seconds Maximum |

Additional Information



Datashheet



Resources



Samples

Electrical Specifications by Item

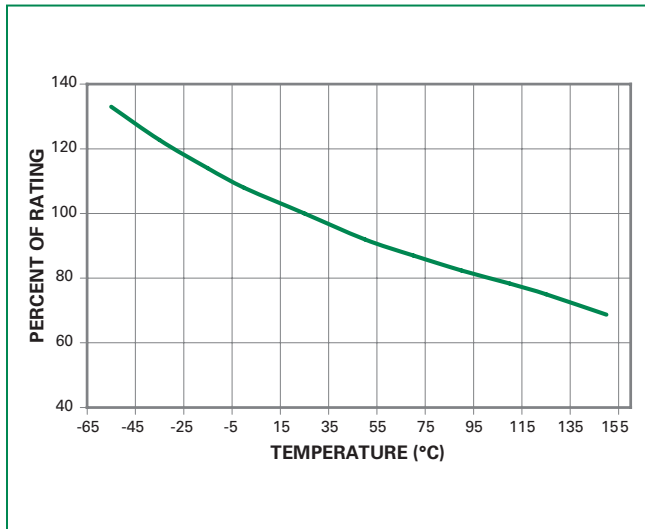
| Ampere Rating (A) | Amp Code | Max. Voltage Rating (V) | Interrupting Rating | Nominal Resistance (Ohms) | Nominal Melting I ² t (A ² Sec.) | Nominal Voltage Drop at Rated Current (mV) | Nominal Power Dissipation at Rated Current (W) |
|-------------------|----------|-------------------------|---------------------|---------------------------|--|--|--|
| 0.5 | 0025 | 5 | 50A @ 5VDC | 0.325 | 0.00169 | 189 | 0.095 |
| 1.5 | 0026 | 5 | | 0.095 | 0.03 | 161 | 0.242 |

Notes:

1. Cold resistance measured at less than 10% of rated current at 23°C.

2. I²t values stated for 1msec opening time.

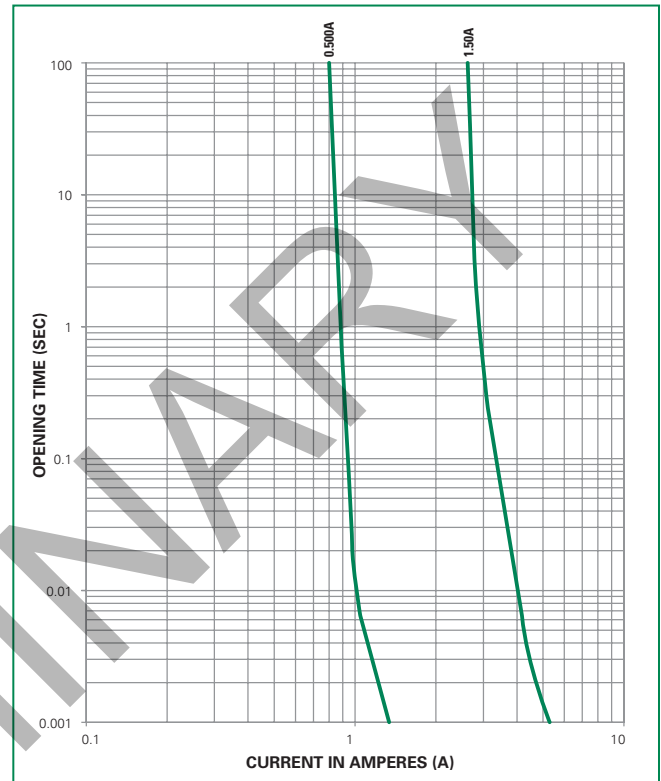
Temperature Re-rating Curve



Note:

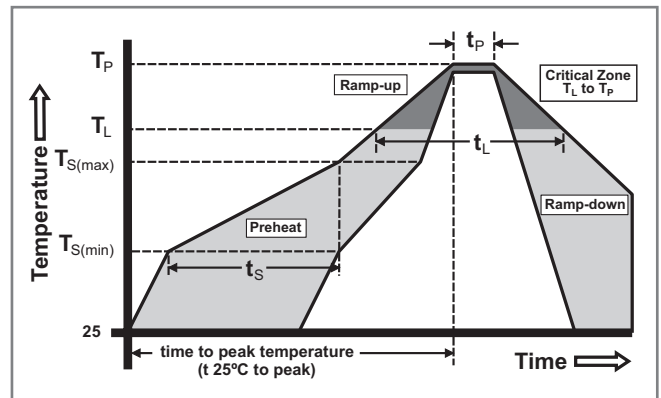
Re-rating depicted in this curve is in addition to the standard re-rating of 20% for continuous operation.

Average Time Current Curves



Soldering Parameters

| | | |
|--|------------------------------------|-------------------------|
| Reflow Condition | | Pb – free assembly |
| Pre Heat | - Temperature Min ($T_{s(min)}$) | 150°C |
| | - Temperature Max ($T_{s(max)}$) | 200°C |
| | - Time (Min to Max) (t_s) | 60 – 180 seconds |
| Average Ramp-up Rate (Liquidus Temp (T_L) to peak) | | 5°C/second max. |
| $T_{s(max)}$ to T_L - Ramp-up Rate | | 5°C/second max. |
| Reflow | - Temperature (T_L) (Liquidus) | 217°C |
| | - Temperature (t_L) | 60 – 150 seconds |
| Peak Temperature (T_p) | | 260 ^{+0/-5} °C |
| Time within 5°C of actual peak Temperature (t_p) | | 20 – 40 seconds |
| Ramp-down Rate | | 5°C/second max. |
| Time 25°C to peak Temperature (T_p) | | 8 minutes max. |
| Do not exceed | | 260°C |

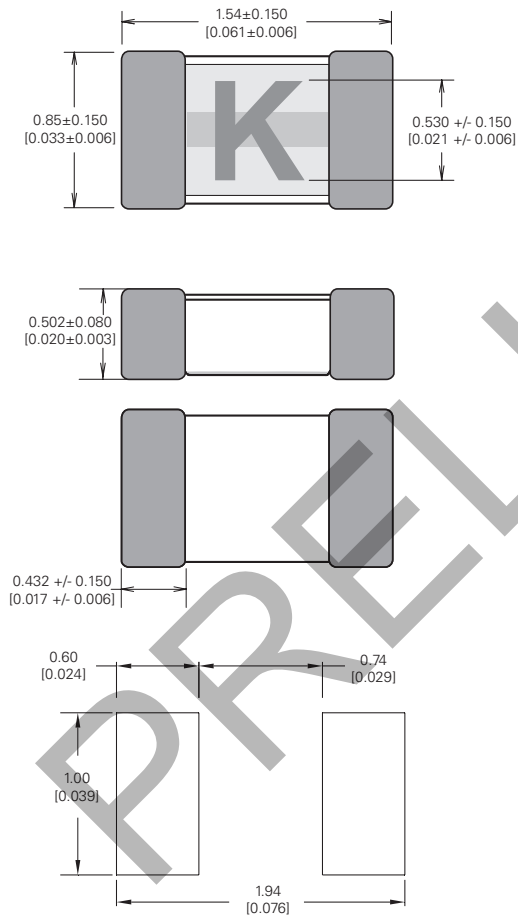


Product Characteristics

| | |
|-----------------------------------|--|
| Materials | Body: Advanced Ceramic Terminations: Ag/Ni/Sn (100% Lead-free) Element Cover Coating: Lead-free Glass |
| Moisture Sensitivity Level | IPC/JEDEC J-STD-020C, Level 1 |
| Solderability | IPC/ECA/JEDEC J-STD-002B, Condition B |
| Humidity Test | MIL-STD-202, Method 103B, Conditions D |
| Resistance to Solder Heat | MIL-STD-202, Method 210F, Condition B |

| | |
|-------------------------------------|--|
| Moisture Resistance | MIL-STD-202, Method 106G |
| Thermal Shock | MIL-STD-202, Method 107G Condition B-3 |
| Mechanical Shock | MIL-STD-202, Method 213B, Condition A |
| Vibration | MIL-STD-202, Method 201A |
| Vibration, High Frequency | MIL-STD-202, Method 204D, Condition D |
| Dissolution of Metallization | IPC/ECA/JEDEC J-STD-002B, Condition D |
| Terminal Strength | IEC 60127-4 |

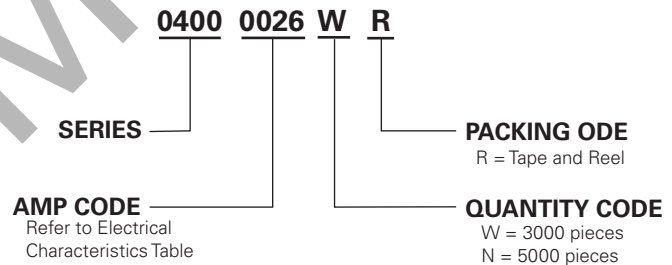
Dimensions



Part Marking System

| Amp Code | Marking Code |
|----------|--------------|
| 0025 | F |
| 0026 | K |

Part Numbering System



Disclaimer Notice - Information furnished is believed to be accurate and reliable. However, users should independently evaluate the suitability of and test each product selected for their own applications. Littelfuse products are not designed for, and may not be used in, all applications. Read complete Disclaimer Notice at www.littelfuse.com/disclaimer-electronics.

Packaging

| Packaging Option | Form Factor | Packaging Specification | Quantity | Quantity & Packaging Code |
|-------------------|---------------|----------------------------|----------|---------------------------|
| 8mm Tape and Reel | Surface Mount | EIA-481, IEC 60286, Part 3 | 3000 | WR |
| 8mm Tape and Reel | Surface Mount | EIA-481, IEC 60286, Part 3 | 5000 | NR |

Данный компонент на территории Российской Федерации

Вы можете приобрести в компании MosChip.

Для оперативного оформления запроса Вам необходимо перейти по данной ссылке:

<http://moschip.ru/get-element>

Вы можете разместить у нас заказ для любого Вашего проекта, будь то серийное производство или разработка единичного прибора.

В нашем ассортименте представлены ведущие мировые производители активных и пассивных электронных компонентов.

Нашей специализацией является поставка электронной компонентной базы двойного назначения, продукции таких производителей как XILINX, Intel (ex.ALTERA), Vicor, Microchip, Texas Instruments, Analog Devices, Mini-Circuits, Amphenol, Glenair.

Сотрудничество с глобальными дистрибьюторами электронных компонентов, предоставляет возможность заказывать и получать с международных складов практически любой перечень компонентов в оптимальные для Вас сроки.

На всех этапах разработки и производства наши партнеры могут получить квалифицированную поддержку опытных инженеров.

Система менеджмента качества компании отвечает требованиям в соответствии с ГОСТ Р ИСО 9001, ГОСТ РВ 0015-002 и ЭС РД 009

Офис по работе с юридическими лицами:

105318, г.Москва, ул.Щербаковская д.3, офис 1107, 1118, ДЦ «Щербаковский»

Телефон: +7 495 668-12-70 (многоканальный)

Факс: +7 495 668-12-70 (доб.304)

E-mail: info@moschip.ru

Skype отдела продаж:

moschip.ru

moschip.ru_4

moschip.ru_6

moschip.ru_9