

R2M / RY2 / RUC

Industrial Electromagnetic Relays



- Relays of general application
- For plug-in sockets, 35 mm rail mount or on panel mounting
- Cadmium-free contacts
- R2M and RUC also for PCB and soldering connections
- AC and DC coils available



R2M

RY2

RUC

Contact Data

| Number and type of contacts | | DPDT | DPDT | DPDT. 3PDT. DPST. 3PST |
|--------------------------------|---------------|-------------------|-------------------|------------------------------------|
| Contact material | | AgNi* | AgNi* | AgNi* |
| Rated / max. switching voltage | AC | 250 V / 250 V | 250 V / 440 V | 400 V / 440 V |
| Min. switching voltage | | 5 V | 5 V | 5 V |
| Rated load | AC1 | 5 A / 250 V AC | 12 A / 250 V AC | 16 A / 250 V AC or 10 A / 400 V AC |
| | DC1 | 5 A / 24 V DC | 12 A / 30 V DC | 16 A / 24 V DC (see Fig. 3.3) |
| Min. switching current | | 5 mA | 5 mA | 5 mA |
| Max. inrush current | | 20 A | 20 A | 40 A |
| Rated current | | 5A | 12A | 16A |
| Max. breaking capacity | AC1 | 1250 VA | 3000 VA | 4000 VA |
| Min. breaking capacity | | 0.3 W | 0.3 W | 0.3 W |
| Contact resistance | | ≤ 100 mΩ | ≤ 100 mΩ | ≤ 100 mΩ |
| Max. operating frequency | at rated load | 1200 cycles/hour | 1200 cycles/hour | 1200 cycles/hour |
| | no load | 36000 cycles/hour | 18000 cycles/hour | 12000 cycles/hour |

Coil Data

| | | | | |
|-----------------------------------|-------------|-----------------------|-----------------------------------------------------|------------------------------------------------------|
| Rated voltage | 50/60 Hz AC | 6 ... 240 V | 6 ... 240 V | 6 ... 240 V |
| | DC | 6 ... 110 V | 5 ... 220 V | 6 ... 220 V |
| Must release voltage | | ≥ 0.05 U _N | AC: ≥ 0.2 U _N ; DC: ≥ 0.1 U _N | AC: ≥ 0.15 U _N ; DC: ≥ 0.1 U _N |
| Operating range of supply voltage | | see page 62 | see page 62 | see page 62 |
| Rated power consumption | AC | 1.2 VA | 1.6 VA | 2.8 VA 50 Hz; 2.5 VA 60 Hz |
| | DC | 0.9 W | 0.9 W | 1.5 W; 1.7 W with contact gap ≥ 3 mm |

Insulation

| | | | | |
|-----------------------------------------------|---------------------|-----------------------------------------------------------------------------------------|-----------------------------------------------------------------------------------------|---------------------------------------------------------------------------------------------------------------------------------------------------------------------------------------------------------------|
| Insulation rated voltage | | 250 V AC | 250 V AC | 400 V AC |
| Rated surge voltage | | 2500 V 1.2 / 50 μs | 4000 V 1.2 / 50 μs | 4000 V 1.2 / 50 μs |
| Overvoltage category | | II | III | III |
| Insulation pollution degree | | 3 | 3 | 3 |
| Dielectric strength between coil and contacts | • contact clearance | 2000 V AC type of insulation: basic 1000 V AC type of clearance: micro-disconnection | 2500 V AC type of insulation: basic 1000 V AC type of clearance: micro-disconnection | 2500 V AC type of insulation: basic 1500 V AC type of clearance: micro-disconnection 2500 V AC with contact gap ≥ 3 mm. type of clearance: full-disconnection 2500 V AC type of insulation: basic |
| | • pole - pole | 2000 V AC type of insulation: basic | 2500 V AC type of insulation: basic | 2500 V AC type of insulation: basic |
| Contact - coil distance | • clearance | ≥ 3 mm | ≥ 2.6 mm | ≥ 5 mm |
| | • creepage | ≥ 4 mm | ≥ 4 mm | ≥ 8 mm |

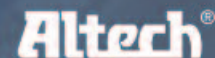
General data

| | | | | |
|-------------------------------------------|-----------------|---------------------------------------|------------------------------------|------------------------------------------------------------------------------------------------------------------------------------------------------------------------------------------------------------------|
| Operating / release time (typical values) | | AC: 8 ms / 7 ms; DC: 10 ms / 3 ms | 15 ms / 10 ms | 20 ms / 15 ms |
| Electrical life | • resistive AC1 | > 2 x 10 ⁶ ; 5 A. 250 V AC | > 10 ⁶ ; 12 A. 250 V AC | > 10 ⁶ ; 16 A. 250 V AC; > 10 ⁶ ; 10 A. 400 V AC |
| | • cosφ | see Fig. 2.1 | see Fig. 2.2 | see Fig. 2.3 |
| Mechanical life (cycles) | | > 10 ⁷ | > 10 ⁷ | > 10 ⁷ |
| Motor load according to UL 508 | | - | - | DPDT: 1/3 HP 120 V AC, single-phase motor 1/2 HP 240 V AC, single-phase motor 3PDT: 1/3 HP 120 V AC, single-phase motor 1/2 HP 240 V AC, single-phase motor 3PDT: 1/2 HP 240 V AC, three-phase motor |
| Dimensions (L x W x H) | | 27.5 x 14 x 32.9 mm | 27.5 x 21.1 x 34.5 mm | 36.1 x 38.6 x 45.5 mm |
| Weight | | 22 g | 35 g | 80 g |
| Ambient temperature | • storage | -40...+70 °C | -40...+70 °C | -40...+85 °C |
| | • operating | -40...+55 °C | -40...+55 °C | AC: -40...+55 °C 3PDT. 3PST (NO) / 16 A (+70 °C DPDT. DPST (NO) / 16 A) DC: -40...+55 °C 3PDT. 3PST (NO) / 16 A (+70 °C 3PDT. 3PST (NO) / 10 A; DPDT. DPST (NO) / 16 A) |
| Cover protection category | | IP 40 PN-EN 60529 | IP 40 PN-EN 60529 | IP 00 PN-EN 60529 |
| Shock resistance | | 10 g | 10 g | 10 g |
| Vibration resistance | | 5 g 10...150 Hz | 5 g 15...150 Hz | 5 g 10...150 Hz |
| Solder bath temperature | | max. 270 °C | - | max. 270 °C |
| Soldering time | | max. 5 s | - | max. 5 s |

* Other contact materials (eg. gold plated) available, contact Altech Corp.

R2M / RY2 / RUC

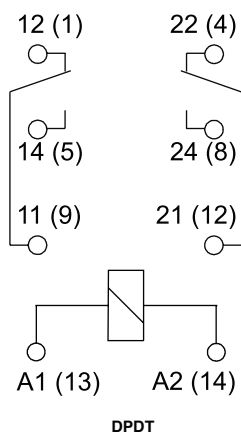
Industrial Electromagnetic Relays



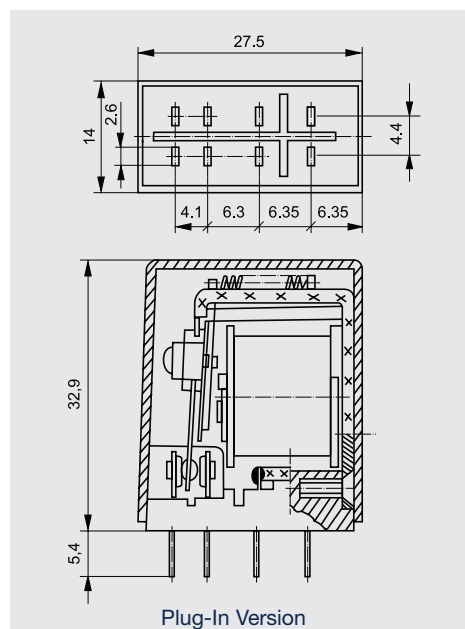
R2M



CONNECTION DIAGRAM

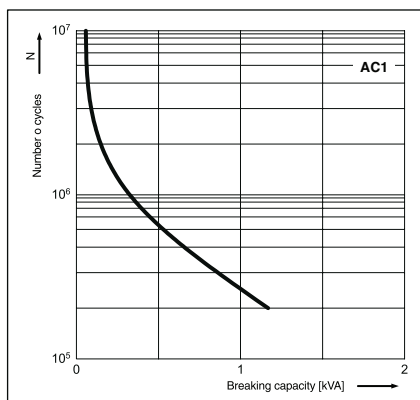


DIMENSIONS

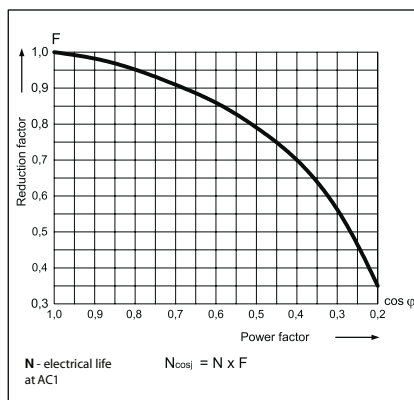


LOAD CHARTS

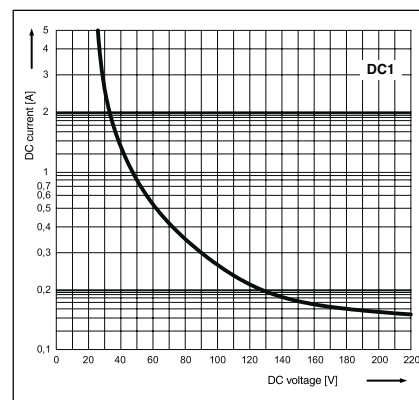
Electrical life at AC resistive load. Switching frequency: 1200 cycles/hour Fig. 1.1



Electrical life reduction factor at AC inductive load Fig. 2.1



Max. DC resistive load breaking capacity Fig. 3.1



R2M / RY2 / RUC

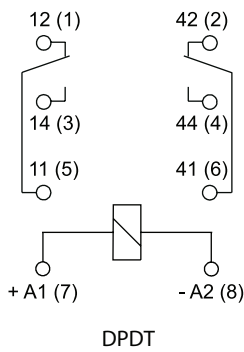
Industrial Electromagnetic Relays



RY2

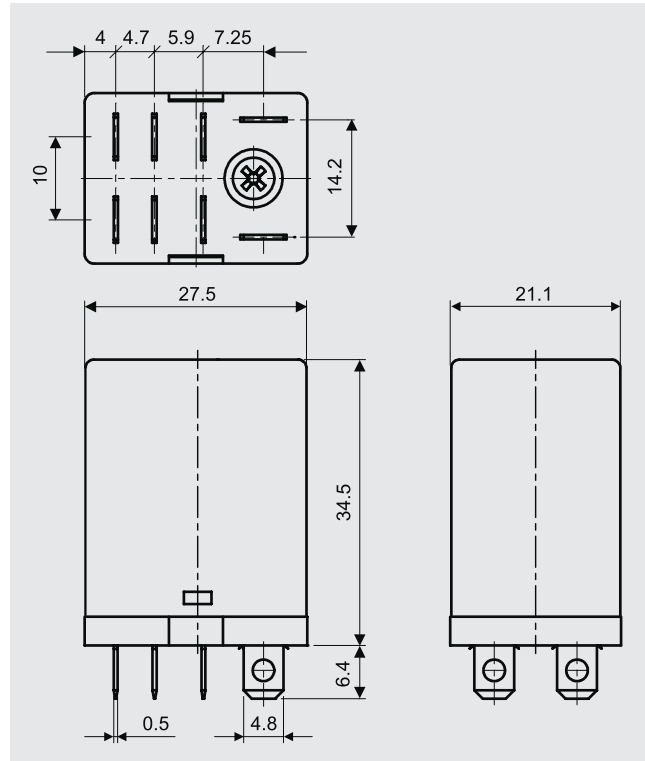


CONNECTION DIAGRAM



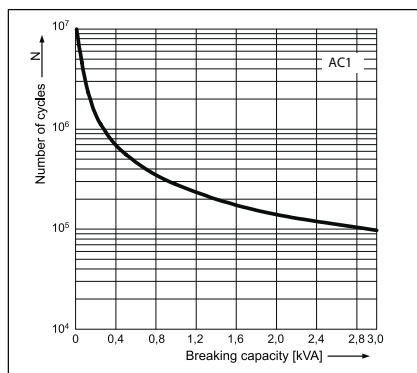
Note: the indicated polarity of the supply refers to the relays with extra equipment D - surge suppression element (diode) - for DC coils only.

DIMENSIONS

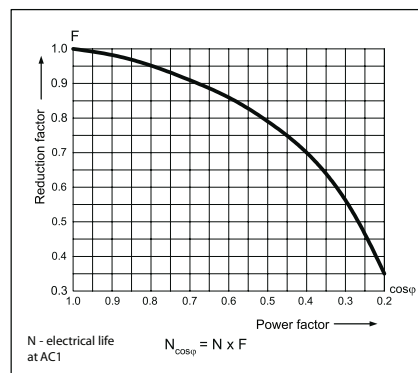


LOAD CHARTS

Electrical life at AC resistive load. Fig. 1.2
Switching frequency: 1 200 cycles/hour



Electrical life reduction factor at AC inductive load Fig. 2.2



R2M / RY2 / RUC

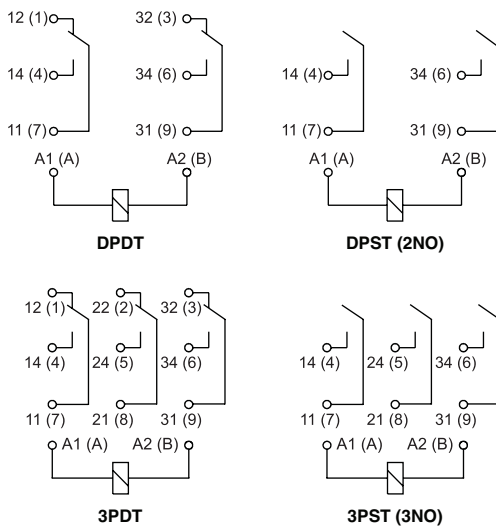
Industrial Electromagnetic Relays



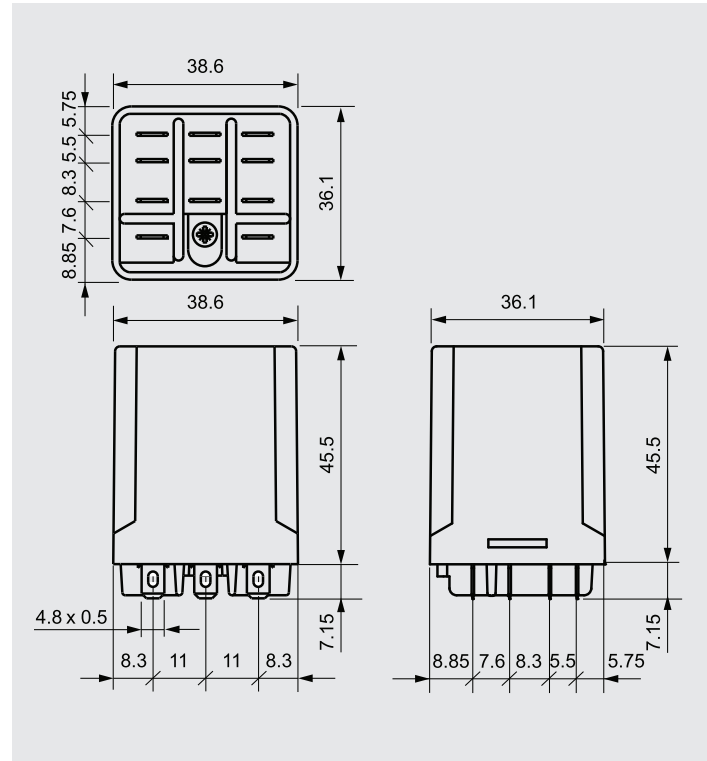
RUC



CONNECTION DIAGRAM



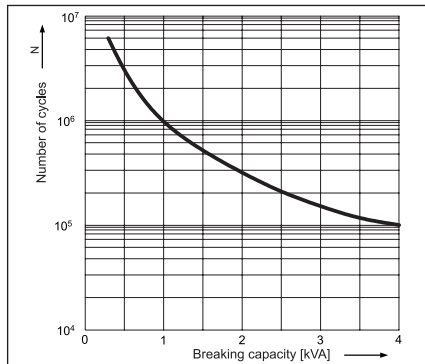
DIMENSIONS



LOAD CHARTS

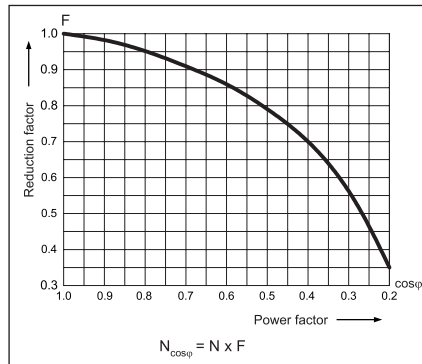
Electrical life at AC resistive load.
Switching frequency: 1200 cycles/hour

Fig. 1



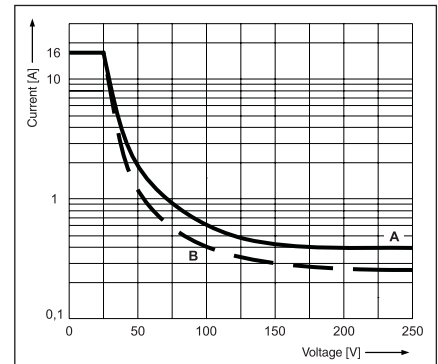
Electrical life reduction factor
at AC inductive load

Fig. 2



Max. DC breaking capacity
A - resistive load DC1
B - inductive load L/R = 40 ms

Fig. 3



R2M / RY2 / RUC

Industrial Electromagnetic Relays

R2M DPDT AC 50/60Hz & DC coil

| Part Number | Coil Voltage (V) | Coil Type | Coil resistance at 20 °C in Ω | Coil operating range | |
|---------------------------|------------------|------------|-------------------------------|----------------------|----------------|
| | | | | min. (at 20°C) | max. (at 55°C) |
| R2M-2012-23-1012 | 12 | DC | 188 | 9.6 | 13.2 |
| ▶ R2M-2012-23-1024 | 24 | DC | 750 | 19.2 | 26.4 |
| R2M-2012-23-1110 | 110 | DC | 13480 | 88.0 | 121.0 |
| ▶ R2M-2012-23-5120 | 120 | AC 50/60Hz | 6390 | 96.0 | 132.0 |
| R2M-2012-23-5230 | 230 | AC 50/60Hz | 21470 | 184.0 | 253.0 |

RY2 DPDT AC 50/60Hz & DC coil

| Part Number | Coil Voltage (V) | Coil Type | Coil resistance at 20 °C in Ω | Coil operating range | | Options* | | |
|-----------------------------|------------------|------------|-------------------------------|----------------------|----------------|----------|---|---|
| | | | | min. (at 20°C) | max. (at 55°C) | - | L | D |
| ▶ RY2-1012-26-1012 | 12 | DC | 160 | 9.6 | 13.2 | x | | |
| RY2-1012-26-1012-L | 12 | DC | 160 | 9.6 | 13.2 | | x | |
| RY2-1012-26-1012-D | 12 | DC | 160 | 9.6 | 13.2 | | | x |
| RY2-1012-26-1012-LD | 12 | DC | 160 | 9.6 | 13.2 | | x | x |
| ▶ RY2-1012-26-1024 | 24 | DC | 640 | 19.2 | 26.4 | x | | |
| ▶ RY2-1012-26-1024-L | 24 | DC | 640 | 19.2 | 26.4 | | x | |
| RY2-1012-26-1024-D | 24 | DC | 640 | 19.2 | 26.4 | | | x |
| RY2-1012-26-1024-LD | 24 | DC | 640 | 19.2 | 26.4 | | x | x |
| RY2-1012-26-1110 | 110 | DC | 13600 | 88.0 | 121.0 | x | | |
| RY2-1012-26-1110-L | 110 | DC | 13600 | 88.0 | 121.0 | | x | |
| RY2-1012-26-1110-D | 110 | DC | 13600 | 88.0 | 121.0 | | | x |
| RY2-1012-26-1110-LD | 110 | DC | 13600 | 88.0 | 121.0 | | x | x |
| RY2-1012-26-5024 | 24 | AC 50/60Hz | 158 | 19.2 | 26.4 | x | | |
| ▶ RY2-1012-26-5024-L | 24 | AC 50/60Hz | 158 | 19.2 | 26.4 | | x | |
| RY2-1012-26-5024-D | 24 | AC 50/60Hz | 158 | 19.2 | 26.4 | | | x |
| RY2-1012-26-5024-LD | 24 | AC 50/60Hz | 158 | 19.2 | 26.4 | | x | x |
| ▶ RY2-1012-26-5120 | 120 | AC 50/60Hz | 3770 | 96.0 | 132.0 | x | | |
| ▶ RY2-1012-26-5120-L | 120 | AC 50/60Hz | 3770 | 96.0 | 132.0 | | x | |
| RY2-1012-26-5120-D | 120 | AC 50/60Hz | 3770 | 96.0 | 132.0 | | | x |
| RY2-1012-26-5120-LD | 120 | AC 50/60Hz | 3770 | 96.0 | 132.0 | | x | x |
| RY2-1012-26-5230 | 230 | AC 50/60Hz | 16100 | 184.0 | 253.0 | x | | |
| ▶ RY2-1012-26-5230-L | 230 | AC 50/60Hz | 16100 | 184.0 | 253.0 | | x | |
| RY2-1012-26-5230-D | 230 | AC 50/60Hz | 16100 | 184.0 | 253.0 | | | x |
| RY2-1012-26-5230-LD | 230 | AC 50/60Hz | 16100 | 184.0 | 253.0 | | x | x |

RUC DPDT AC 50/60Hz & DC coil

| Part Number | Coil Voltage (V) | Coil Type | Coil resistance at 20 °C in Ω | Coil operating range | | Options* | | |
|------------------------------|------------------|------------|-------------------------------|----------------------|----------------|----------|---|---|
| | | | | min. (at 20°C) | max. (at 55°C) | - | K | L |
| ▶ RUC-2012-26-1012 | 12 | DC | 110 | 9.6 | 13.2 | x | | |
| RUC-2012-26-1012-K | 12 | DC | 110 | 9.6 | 13.2 | | x | |
| RUC-2012-26-1012-L | 12 | DC | 110 | 9.6 | 13.2 | | | x |
| RUC-2012-26-1012-KL | 12 | DC | 110 | 9.6 | 13.2 | | x | x |
| ▶ RUC-2012-26-1024 | 24 | DC | 430 | 19.2 | 26.4 | x | | |
| RUC-2012-26-1024-K | 24 | DC | 430 | 19.2 | 26.4 | | x | |
| RUC-2012-26-1024-L | 24 | DC | 430 | 19.2 | 26.4 | | | x |
| ▶ RUC-2012-26-1024-KL | 24 | DC | 430 | 19.2 | 26.4 | | x | x |
| RUC-2012-26-1110 | 110 | DC | 9200 | 88.0 | 121.0 | x | | |
| RUC-2012-26-1110-K | 110 | DC | 9200 | 88.0 | 121.0 | | x | |
| RUC-2012-26-1110-L | 110 | DC | 9200 | 88.0 | 121.0 | | | x |
| RUC-2012-26-1110-KL | 110 | DC | 9200 | 88.0 | 121.0 | | x | x |
| ▶ RUC-2012-26-5120 | 120 | AC 50/60Hz | 1910 | 96.0 | 132.0 | x | | |
| RUC-2012-26-5120-K | 120 | AC 50/60Hz | 1910 | 96.0 | 132.0 | | x | |
| RUC-2012-26-5120-L | 120 | AC 50/60Hz | 1910 | 96.0 | 132.0 | | | x |
| ▶ RUC-2012-26-5120-KL | 120 | AC 50/60Hz | 1910 | 96.0 | 132.0 | | x | x |
| RUC-2012-26-5230 | 230 | AC 50/60Hz | 7080 | 184.0 | 253.0z | x | | |
| RUC-2012-26-5230-K | 230 | AC 50/60Hz | 7080 | 184.0 | 253.0 | | x | |
| RUC-2012-26-5230-L | 230 | AC 50/60Hz | 7080 | 184.0 | 253.0 | | | x |
| ▶ RUC-2012-26-5230-KL | 230 | AC 50/60Hz | 7080 | 184.0 | 253.0 | | x | x |

- = without additional features

K = with test button without block function;

L = with light indicator (LED)

D = with surge suppression element (diode)

* other options available upon request

▶ **BOLD** - Regular stocked items.

RUC 3PDT AC 50/60Hz & DC coil

| Part Number | Coil Voltage (V) | Coil Type | Coil resistance at 20 °C in Ω | Coil operating range | | Options* | | |
|------------------------------|------------------|------------|-------------------------------|----------------------|----------------|----------|---|---|
| | | | | min. (at 20°C) | max. (at 55°C) | - | K | L |
| ► RUC-2013-26-1012 | 12 | DC | 110 | 9.6 | 13.2 | x | | |
| RUC-2013-26-1012-K | 12 | DC | 110 | 9.6 | 13.2 | | x | |
| RUC-2013-26-1012-L | 12 | DC | 110 | 9.6 | 13.2 | | | x |
| RUC-2013-26-1012-KL | 12 | DC | 110 | 9.6 | 13.2 | | x | x |
| ► RUC-2013-26-1024 | 24 | DC | 430 | 19.2 | 26.4 | x | | |
| RUC-2013-26-1024-K | 24 | DC | 430 | 19.2 | 26.4 | | x | |
| RUC-2013-26-1024-L | 24 | DC | 430 | 19.2 | 26.4 | | | x |
| ► RUC-2013-26-1024-KL | 24 | DC | 430 | 19.2 | 26.4 | | x | x |
| RUC-2013-26-1110 | 110 | DC | 9200 | 88.0 | 121.0 | x | | |
| RUC-2013-26-1110-K | 110 | DC | 9200 | 88.0 | 121.0 | | x | |
| RUC-2013-26-1110-L | 110 | DC | 9200 | 88.0 | 121.0 | | | x |
| RUC-2013-26-1110-KL | 110 | DC | 9200 | 88.0 | 121.0 | | x | x |
| ► RUC-2013-26-5120 | 120 | AC 50/60Hz | 1910 | 96.0 | 132.0 | x | | |
| RUC-2013-26-5120-K | 120 | AC 50/60Hz | 1910 | 96.0 | 132.0 | | x | |
| RUC-2013-26-5120-L | 120 | AC 50/60Hz | 1910 | 96.0 | 132.0 | | | x |
| ► RUC-2013-26-5120-KL | 120 | AC 50/60Hz | 1910 | 96.0 | 132.0 | | x | x |
| ► RUC-2013-26-5230 | 230 | AC 50/60Hz | 7080 | 184.0 | 253.0 | x | | |
| RUC-2013-26-5230-K | 230 | AC 50/60Hz | 7080 | 184.0 | 253.0 | | x | |
| RUC-2013-26-5230-L | 230 | AC 50/60Hz | 7080 | 184.0 | 253.0 | | | x |
| RUC-2013-26-5230-KL | 230 | AC 50/60Hz | 7080 | 184.0 | 253.0 | | x | x |

RUC DPST(2NO) AC 50/60Hz & DC coil

| Part Number | Coil Voltage (V) | Coil Type | Coil resistance at 20 °C in Ω | Coil operating range | | Options* | | |
|---------------------|------------------|------------|-------------------------------|----------------------|----------------|----------|---|---|
| | | | | min. (at 20°C) | max. (at 55°C) | - | K | L |
| RUC-2022-26-1012 | 12 | DC | 110 | 9.6 | 13.2 | x | | |
| RUC-2022-26-1012-K | 12 | DC | 110 | 9.6 | 13.2 | | x | |
| RUC-2022-26-1012-L | 12 | DC | 110 | 9.6 | 13.2 | | | x |
| RUC-2022-26-1012-KL | 12 | DC | 110 | 9.6 | 13.2 | | x | x |
| RUC-2022-26-1024 | 24 | DC | 430 | 19.2 | 26.4 | x | | |
| RUC-2022-26-1024-K | 24 | DC | 430 | 19.2 | 26.4 | | x | |
| RUC-2022-26-1024-L | 24 | DC | 430 | 19.2 | 26.4 | | | x |
| RUC-2022-26-1024-KL | 24 | DC | 430 | 19.2 | 26.4 | | x | x |
| RUC-2022-26-1110 | 110 | DC | 9200 | 88.0 | 121.0 | x | | |
| RUC-2022-26-1110-K | 110 | DC | 9200 | 88.0 | 121.0 | | x | |
| RUC-2022-26-1110-L | 110 | DC | 9200 | 88.0 | 121.0 | | | x |
| RUC-2022-26-1110-KL | 110 | DC | 9200 | 88.0 | 121.0 | | x | x |
| RUC-2022-26-5120 | 120 | AC 50/60Hz | 1910 | 96.0 | 132.0 | x | | |
| RUC-2022-26-5120-K | 120 | AC 50/60Hz | 1910 | 96.0 | 132.0 | | x | |
| RUC-2022-26-5120-L | 120 | AC 50/60Hz | 1910 | 96.0 | 132.0 | | | x |
| RUC-2022-26-5120-KL | 120 | AC 50/60Hz | 1910 | 96.0 | 132.0 | | x | x |
| RUC-2022-26-5230 | 230 | AC 50/60Hz | 7080 | 184.0 | 253.0 | x | | |
| RUC-2022-26-5230-K | 230 | AC 50/60Hz | 7080 | 184.0 | 253.0 | | x | |
| RUC-2022-26-5230-L | 230 | AC 50/60Hz | 7080 | 184.0 | 253.0 | | | x |
| RUC-2022-26-5230-KL | 230 | AC 50/60Hz | 7080 | 184.0 | 253.0 | | x | x |

RUC 3PST(3NO) AC 50/60Hz & DC coil

| Part Number | Coil Voltage (V) | Coil Type | Coil resistance at 20 °C in Ω | Coil operating range | | Options* | | |
|---------------------|------------------|------------|-------------------------------|----------------------|----------------|----------|---|---|
| | | | | min. (at 20°C) | max. (at 55°C) | - | K | L |
| RUC-2023-26-1012 | 12 | DC | 110 | 9.6 | 13.2 | x | | |
| RUC-2023-26-1012-K | 12 | DC | 110 | 9.6 | 13.2 | | x | |
| RUC-2023-26-1012-L | 12 | DC | 110 | 9.6 | 13.2 | | | x |
| RUC-2023-26-1012-KL | 12 | DC | 110 | 9.6 | 13.2 | | x | x |
| RUC-2023-26-1024 | 24 | DC | 430 | 19.2 | 26.4 | x | | |
| RUC-2023-26-1024-K | 24 | DC | 430 | 19.2 | 26.4 | | x | |
| RUC-2023-26-1024-L | 24 | DC | 430 | 19.2 | 26.4 | | | x |
| RUC-2023-26-1024-KL | 24 | DC | 430 | 19.2 | 26.4 | | x | x |
| RUC-2023-26-1110 | 110 | DC | 9200 | 88.0 | 121.0 | x | | |
| RUC-2023-26-1110-K | 110 | DC | 9200 | 88.0 | 121.0 | | x | |
| RUC-2023-26-1110-L | 110 | DC | 9200 | 88.0 | 121.0 | | | x |
| RUC-2023-26-1110-KL | 110 | DC | 9200 | 88.0 | 121.0 | | x | x |
| RUC-2023-26-5120 | 120 | AC 50/60Hz | 1910 | 96.0 | 132.0 | x | | |
| RUC-2023-26-5120-K | 120 | AC 50/60Hz | 1910 | 96.0 | 132.0 | | x | |
| RUC-2023-26-5120-L | 120 | AC 50/60Hz | 1910 | 96.0 | 132.0 | | | x |
| RUC-2023-26-5120-KL | 120 | AC 50/60Hz | 1910 | 96.0 | 132.0 | | x | x |
| RUC-2023-26-5230 | 230 | AC 50/60Hz | 7080 | 184.0 | 253.0 | x | | |
| RUC-2023-26-5230-K | 230 | AC 50/60Hz | 7080 | 184.0 | 253.0 | | x | |
| RUC-2023-26-5230-L | 230 | AC 50/60Hz | 7080 | 184.0 | 253.0 | | | x |
| RUC-2023-26-5230-KL | 230 | AC 50/60Hz | 7080 | 184.0 | 253.0 | | x | x |

- = without additional features; **K** = with test button without block function; **L** = with light indicator (LED)

* other options available upon request

► **BOLD** - Regular stocked items.

R2M / RY2 / RUC

Industrial Electromagnetic Relays

RUC DPST(2NO) contact gap ≥ 3mm AC 50/60Hz & DC coil

| Part Number | Coil Voltage (V) | Coil Type | Coil resistance at 20 °C in Ω | Coil operating range | | Options* | | |
|---------------------|------------------|------------|-------------------------------|----------------------|----------------|----------|---|---|
| | | | | min. (at 20°C) | max. (at 55°C) | - | K | L |
| RUC-2052-26-1012 | 12 | DC | 110 | 9.6 | 13.2 | x | | |
| RUC-2052-26-1012-K | 12 | DC | 110 | 9.6 | 13.2 | | x | |
| RUC-2052-26-1012-L | 12 | DC | 110 | 9.6 | 13.2 | | | x |
| RUC-2052-26-1012-KL | 12 | DC | 110 | 9.6 | 13.2 | | x | x |
| RUC-2052-26-1024 | 24 | DC | 430 | 19.2 | 26.4 | x | | |
| RUC-2052-26-1024-K | 24 | DC | 430 | 19.2 | 26.4 | | x | |
| RUC-2052-26-1024-L | 24 | DC | 430 | 19.2 | 26.4 | | | x |
| RUC-2052-26-1024-KL | 24 | DC | 430 | 19.2 | 26.4 | | x | x |
| RUC-2052-26-1110 | 110 | DC | 9200 | 88.0 | 121.0 | x | | |
| RUC-2052-26-1110-K | 110 | DC | 9200 | 88.0 | 121.0 | | x | |
| RUC-2052-26-1110-L | 110 | DC | 9200 | 88.0 | 121.0 | | | x |
| RUC-2052-26-1110-KL | 110 | DC | 9200 | 88.0 | 121.0 | | x | x |
| RUC-2052-26-5120 | 120 | AC 50/60Hz | 1910 | 96.0 | 132.0 | x | | |
| RUC-2052-26-5120-K | 120 | AC 50/60Hz | 1910 | 96.0 | 132.0 | | x | |
| RUC-2052-26-5120-L | 120 | AC 50/60Hz | 1910 | 96.0 | 132.0 | | | x |
| RUC-2052-26-5120-KL | 120 | AC 50/60Hz | 1910 | 96.0 | 132.0 | | x | x |
| RUC-2052-26-5230 | 230 | AC 50/60Hz | 7080 | 184.0 | 253.0 | x | | |
| RUC-2052-26-5230-K | 230 | AC 50/60Hz | 7080 | 184.0 | 253.0 | | x | |
| RUC-2052-26-5230-L | 230 | AC 50/60Hz | 7080 | 184.0 | 253.0 | | | x |
| RUC-2052-26-5230-KL | 230 | AC 50/60Hz | 7080 | 184.0 | 253.0 | | x | x |

RUC 3PST(3NO) contact gap ≥ 3mm AC 50/60Hz & DC coil

| Part Number | Coil Voltage (V) | Coil Type | Coil resistance at 20 °C in Ω | Coil operating range | | Options* | | |
|---------------------|------------------|------------|-------------------------------|----------------------|----------------|----------|---|---|
| | | | | min. (at 20°C) | max. (at 55°C) | - | K | L |
| RUC-2053-26-1012 | 12 | DC | 110 | 9.6 | 13.2 | x | | |
| RUC-2053-26-1012-K | 12 | DC | 110 | 9.6 | 13.2 | | x | |
| RUC-2053-26-1012-L | 12 | DC | 110 | 9.6 | 13.2 | | | x |
| RUC-2053-26-1012-KL | 12 | DC | 110 | 9.6 | 13.2 | | x | x |
| RUC-2053-26-1024 | 24 | DC | 430 | 19.2 | 26.4 | x | | |
| RUC-2053-26-1024-K | 24 | DC | 430 | 19.2 | 26.4 | | x | |
| RUC-2053-26-1024-L | 24 | DC | 430 | 19.2 | 26.4 | | | x |
| RUC-2053-26-1024-KL | 24 | DC | 430 | 19.2 | 26.4 | | x | x |
| RUC-2053-26-1110 | 110 | DC | 9200 | 88.0 | 121.0 | x | | |
| RUC-2053-26-1110-K | 110 | DC | 9200 | 88.0 | 121.0 | | x | |
| RUC-2053-26-1110-L | 110 | DC | 9200 | 88.0 | 121.0 | | | x |
| RUC-2053-26-1110-KL | 110 | DC | 9200 | 88.0 | 121.0 | | x | x |
| RUC-2053-26-5120 | 120 | AC 50/60Hz | 1910 | 96.0 | 132.0 | x | | |
| RUC-2053-26-5120-K | 120 | AC 50/60Hz | 1910 | 96.0 | 132.0 | | x | |
| RUC-2053-26-5120-L | 120 | AC 50/60Hz | 1910 | 96.0 | 132.0 | | | x |
| RUC-2053-26-5120-KL | 120 | AC 50/60Hz | 1910 | 96.0 | 132.0 | | x | x |
| RUC-2053-26-5230 | 230 | AC 50/60Hz | 7080 | 184.0 | 253.0 | x | | |
| RUC-2053-26-5230-K | 230 | AC 50/60Hz | 7080 | 184.0 | 253.0 | | x | |
| RUC-2053-26-5230-L | 230 | AC 50/60Hz | 7080 | 184.0 | 253.0 | | | x |
| RUC-2053-26-5230-KL | 230 | AC 50/60Hz | 7080 | 184.0 | 253.0 | | x | x |

- = without additional features

K = with test button without block function

L = with light indicator (LED)

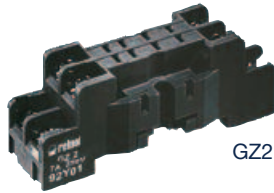
* Other options available upon request

R2M / RY2 / RUC

Industrial Electromagnetic Relays - Plug-in Sockets and Accessories **Altech**[®]

GZ2 (for R2M)

Screw terminals
 Max. tightening moment
 for the terminal: 0.7 Nm
 35 mm rail mount
 acc. to PN-EN 60715
 or on panel mounting
 65.2 x 20 x 25 mm
 Two poles
 7 A, 250 V AC



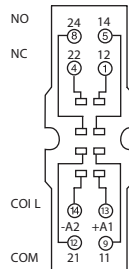
GZ2



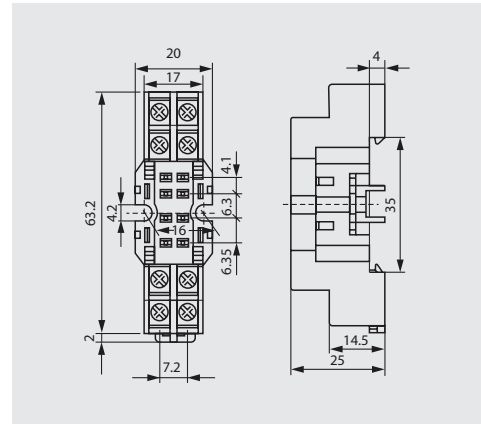
GZ2 1060

GZ2 1111

CONNECTION DIAGRAM

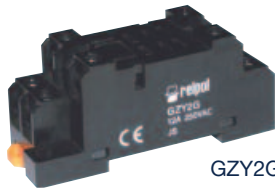


DIMENSIONS



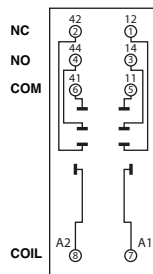
GZY2G (for RY2)

Screw terminals
 Max. tightening moment
 for the terminal: 0.7 Nm
 35 mm rail mount
 acc. to PN-EN 60715
 or on panel mounting
 78.7 x 28 x 32.4 mm
 Two poles
 12 A, 250 V AC

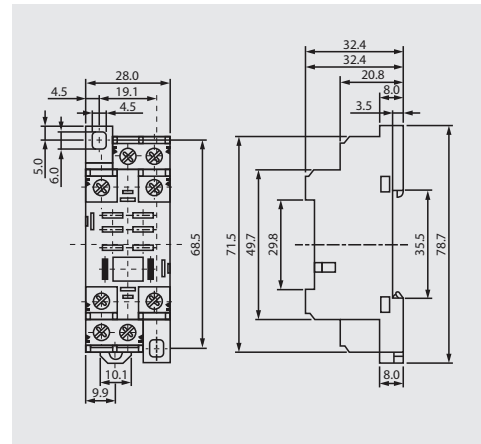


GZY2G

CONNECTION DIAGRAM



DIMENSIONS



GUC11 (for RUC)

Screw terminals
 Max. tightening moment
 for the terminal: 0.7 Nm
 35 mm rail mount
 acc. to PN-EN 60715
 or on panel mounting
 82 x 42.2 x 26.5 mm
 Three poles
 16 A, 250 V AC

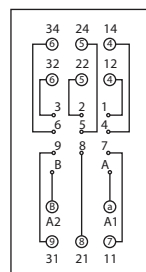


GUC11

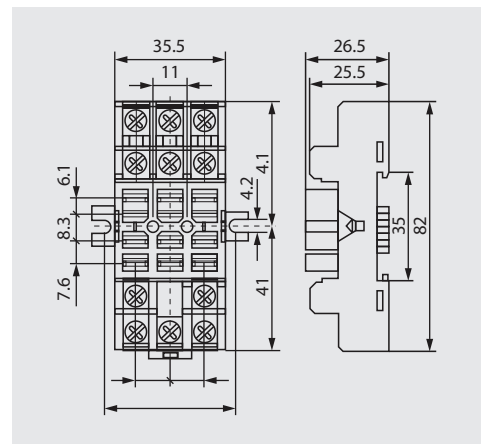


MBA

CONNECTION DIAGRAM



DIMENSIONS



All accessories are sold separately.

Данный компонент на территории Российской Федерации

Вы можете приобрести в компании MosChip.

Для оперативного оформления запроса Вам необходимо перейти по данной ссылке:

<http://moschip.ru/get-element>

Вы можете разместить у нас заказ для любого Вашего проекта, будь то серийное производство или разработка единичного прибора.

В нашем ассортименте представлены ведущие мировые производители активных и пассивных электронных компонентов.

Нашей специализацией является поставка электронной компонентной базы двойного назначения, продукции таких производителей как XILINX, Intel (ex.ALTERA), Vicor, Microchip, Texas Instruments, Analog Devices, Mini-Circuits, Amphenol, Glenair.

Сотрудничество с глобальными дистрибьюторами электронных компонентов, предоставляет возможность заказывать и получать с международных складов практически любой перечень компонентов в оптимальные для Вас сроки.

На всех этапах разработки и производства наши партнеры могут получить квалифицированную поддержку опытных инженеров.

Система менеджмента качества компании отвечает требованиям в соответствии с ГОСТ Р ИСО 9001, ГОСТ РВ 0015-002 и ЭС РД 009

Офис по работе с юридическими лицами:

105318, г.Москва, ул.Щербаковская д.3, офис 1107, 1118, ДЦ «Щербаковский»

Телефон: +7 495 668-12-70 (многоканальный)

Факс: +7 495 668-12-70 (доб.304)

E-mail: info@moschip.ru

Skype отдела продаж:

moschip.ru

moschip.ru_4

moschip.ru_6

moschip.ru_9