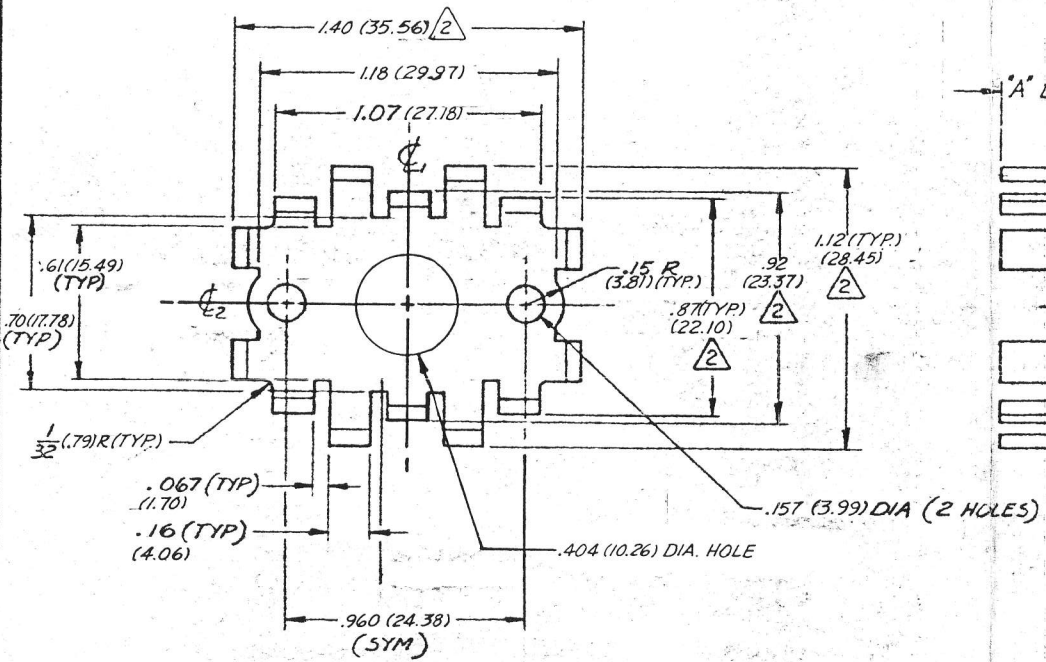


BASE				
PART NO.	HOLE PATTERN	DWG NO.	"A" DIM.	MAT'L NO.
LB66B1-67B	191	3429-10	1/2 (12.7)	108-044
LB66B2-67B			5/16 (7.92)	108-047

REVISIONS				
NO.	DATE	DESCRIPTION	BY	APPROVAL
01-482				
A	7-18-74	ADD FLATNESS, CALL-OUT, & PROD. RELEASED	E.M.	<i>[Signature]</i>

-ECOs-	
OUTSTANDING	
No.	1597
No.	
No.	
No.	

COPY NO. 10



NOTES:

- STANDARD FINISH AS SHOWN. ALTERNATE FINISHES:
 a) INSULUBE 448 PER IERC SPEC 22002, METHOD B. DELETE SUFFIX "B" FROM PART NO. (EX: LB66B1-67).
 b) COMMERCIAL BLACK ANODIZE: DELETE SUFFIX "B" & ADD "CB" TO PART NO. (EX: LB66B1-67CB).
 c) NO FINISH: DELETE SUFFIX "B" & ADD "U" TO PART NO. (EX: LB66B1-67U).
- DIMS INDICATED TAKEN FROM BASE END OF FINGERS. TOLERANCE OVER BASE END OF FINGERS: ± .015 (.38). TOLERANCE OVER FREE END OF FINGERS: .030 (.76).
- TOLERANCE ON HOLE DIA'S, INSULUBE FINISH ONLY: +.005 (.13) / -.015 (.38).
- ALL BEND RADII: 3/64 R. (1.17).
- Φ₁ & Φ₂ OF THE HOLE PATTERN TO BE LOCATED WITHIN 1/32 (.79) OF Φ₁ & Φ₂ OF THE PART.
- NO MARKING ON PART. PACKAGING IDENTIFIED WITH APPLICABLE PART NO.

BASE	-	-	.064 (1.63) THK 6061-T6 ALUMINUM ALLOY OR EQUIV.	BLK. ANODIZE PER IERC SPEC 22000, TYPE II.
PART	ITEM	REQ'D	DESCRIPTION	FINISH

UNLESS OTHERWISE SPECIFIED		DRAFTSMAN	DATE
DIMENSIONS IN PARANTHESES ARE IN MILLIMETERS & APPLY AFTER PLATING.		R. BOYD	5-16-69
DIMENSIONS IN INCHES	APPLICABLE TOL. IN M/M	CHECKER	
FRACTIONAL	±.38	B. McQuinn	5/16/69
.XX	±.25	ENGINEER	
.XXX	±.13	INSPECTION	
UNLESS OTHERWISE SPECIFIED		W.C. McQuinn	7/13/74
DIMENSIONS APPLY AFTER PLATING TOLERANCES		PRODUCTION	
FRACTIONAL	± 1/64	APPROVED	
XX	± .010	<i>[Signature]</i>	
ANGLES ± 1/2°	XXX ± .008		

BASE -
 TRANSISTOR HEAT DISSIPATOR
 (MEDIUM PACKAGE)

IERC
 DIVISION
 INTERNATIONAL ELECTRONIC RESEARCH CORPORATION
 a subsidiary of Dynamics Corporation of America
 BURBANK, CALIFORNIA, U.S.A.

DRAWING NUMBER	REV.
2484-10	A

SCALE 2:1
 CODE 98978 INDEX MFG

PRODUCT DISCLOSED HEREON IS COVERED BY U.S. PATENT NOS 3212569 & 3213324 OWNED BY INTERNATIONAL ELECTRONIC RESEARCH CORP. THE INTERNATIONAL ELECTRONIC RESEARCH CORPORATION CLAIMS PATENT AND/OR PROPRIETARY RIGHTS IN THE MATERIAL DISCLOSED HEREON. THIS DRAWING IS ISSUED IN CONFIDENCE FOR ENGINEERING INFORMATION AND MAY NOT BE REPRODUCED OR USED TO MANUFACTURE ANYTHING SHOWN HEREON WITHOUT DIRECT WRITTEN PERMISSION FROM INTERNATIONAL ELECTRONIC RESEARCH CORPORATION TO THE USER.

IERC



**INTERNATIONAL ELECTRONIC
RESEARCH CORPORATION**

a corporate division of DYNAMICS CORPORATION OF AMERICA
Burbank, California 91502

ENGINEERING CHANGE ORDER

1597

2465-10

0

E.C.O. NUMBER

DOCUMENT NUMBER(S)

REV.



Dwg. Chg.



Mat. Chg.



Process Chg.



Finish Chg.



Other

**OTHER CHANGES
REQUIRED**

INTERCHANGEABILITY AFFECTED YES NO

PARTS AFFECTED

DISTRIBUTION

E.C.O. BY

DATE

- NONE
- MFG OUTLINE
- TOOLING CHG
- INSP. CHG
- PRICING CHG
- INV. CONT. CHG
- PURCH. SPEC.

PARTS DISPOSITION	Raw Mat. & Pur.Pts.	In Process Semi- Fin.	Fin. Compon in Stock	Assem. & in Stock
CHECK ONE				
NOT AFPEC. - USE	<input type="checkbox"/>	<input checked="" type="checkbox"/>	<input checked="" type="checkbox"/>	<input checked="" type="checkbox"/>
REWORK	<input type="checkbox"/>	<input type="checkbox"/>	<input type="checkbox"/>	<input type="checkbox"/>
EXHAUST EXIS. STOCK	<input checked="" type="checkbox"/>	<input type="checkbox"/>	<input type="checkbox"/>	<input type="checkbox"/>
SCRAP or SALVAGE	<input type="checkbox"/>	<input type="checkbox"/>	<input type="checkbox"/>	<input type="checkbox"/>
RE-INSPECT	<input type="checkbox"/>	<input type="checkbox"/>	<input type="checkbox"/>	<input type="checkbox"/>

LB66B1, LB66B2,
LB66B1-76, LB66B2-76
& PLATING SUFFIX
"B, CB, E, U"
LB66B1-91, LB66B2-91,
-67's

STANDARD PER SP 4-6

B. McQuown	8/19/92
CHECKER	
ENGINEER	
INSPECTION	
PRODUCTION	
APPROVAL	
RELEASE	

WAS

IS

I.) CHANGE MAT'L DESCRIPTION:

.064 THK. 6061-T4 ALUMINUM ALLOY
(1.63)
PER IERC SPEC 11100 (OR EQUIV.)

.063 THK. 1100-H14 ALUMINUM
ALLOY PER QQ-A-250/1

II.) CHANGE MAT'L STOCK No's:

108-044

108-190

108-047

108-191

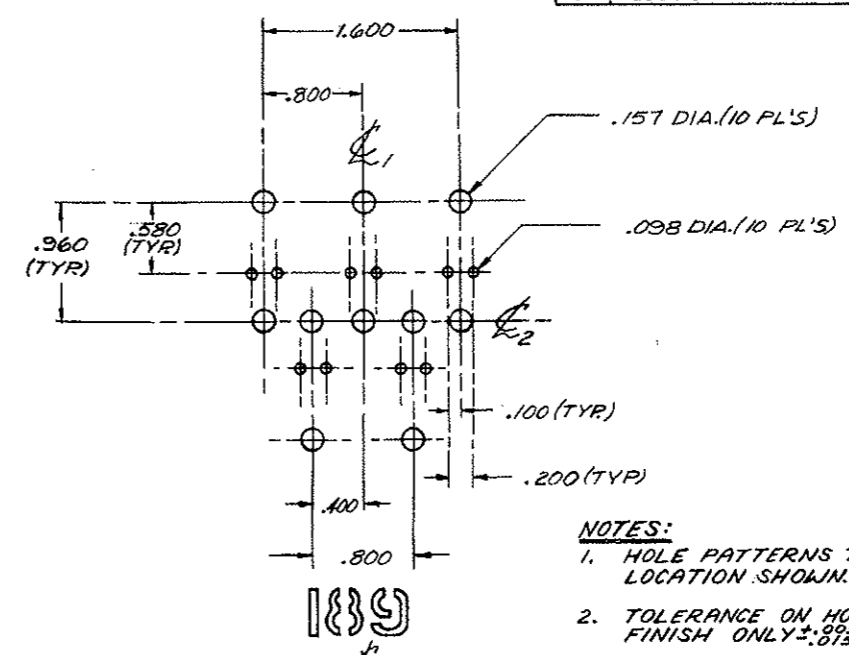
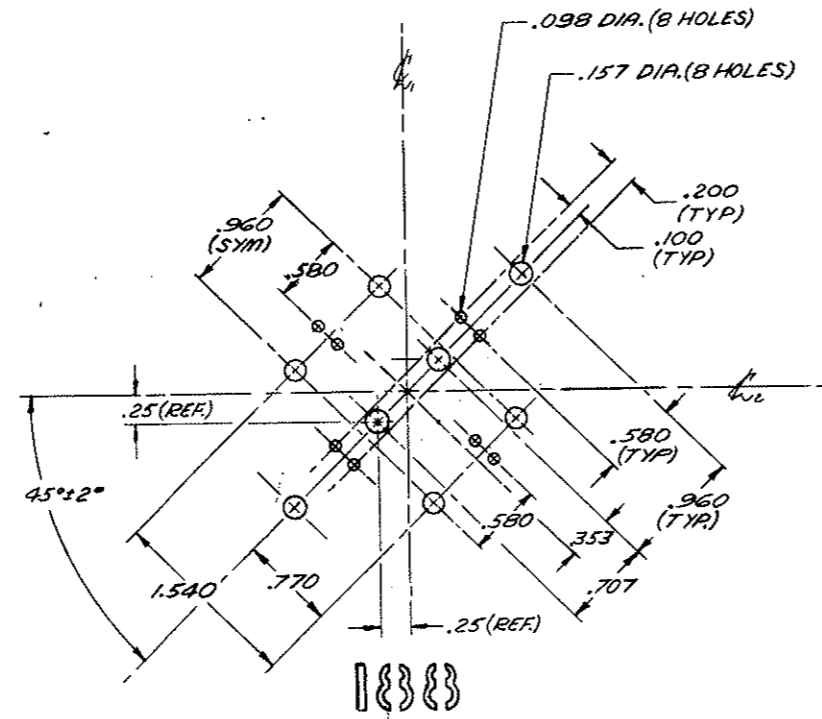
III.) DWG'S AFFECTED: 2465-10, 24087-10, 2484-10,

REASON: **INACCESSIBILITY OF 6061-T41 MAT'L**

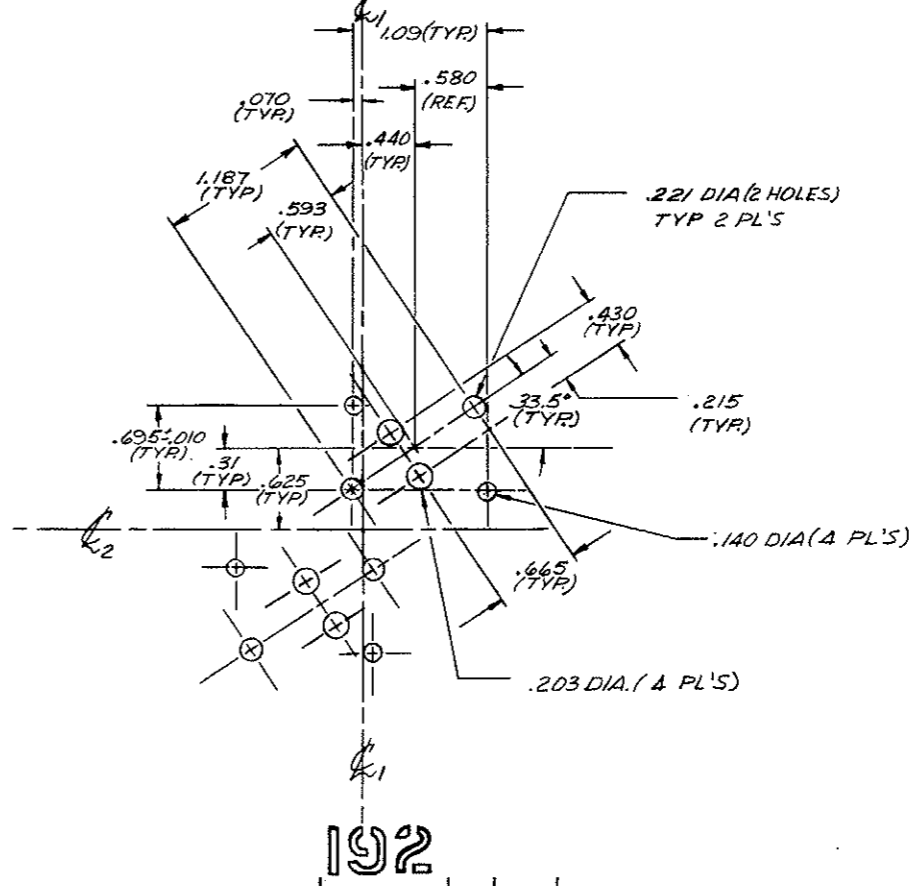
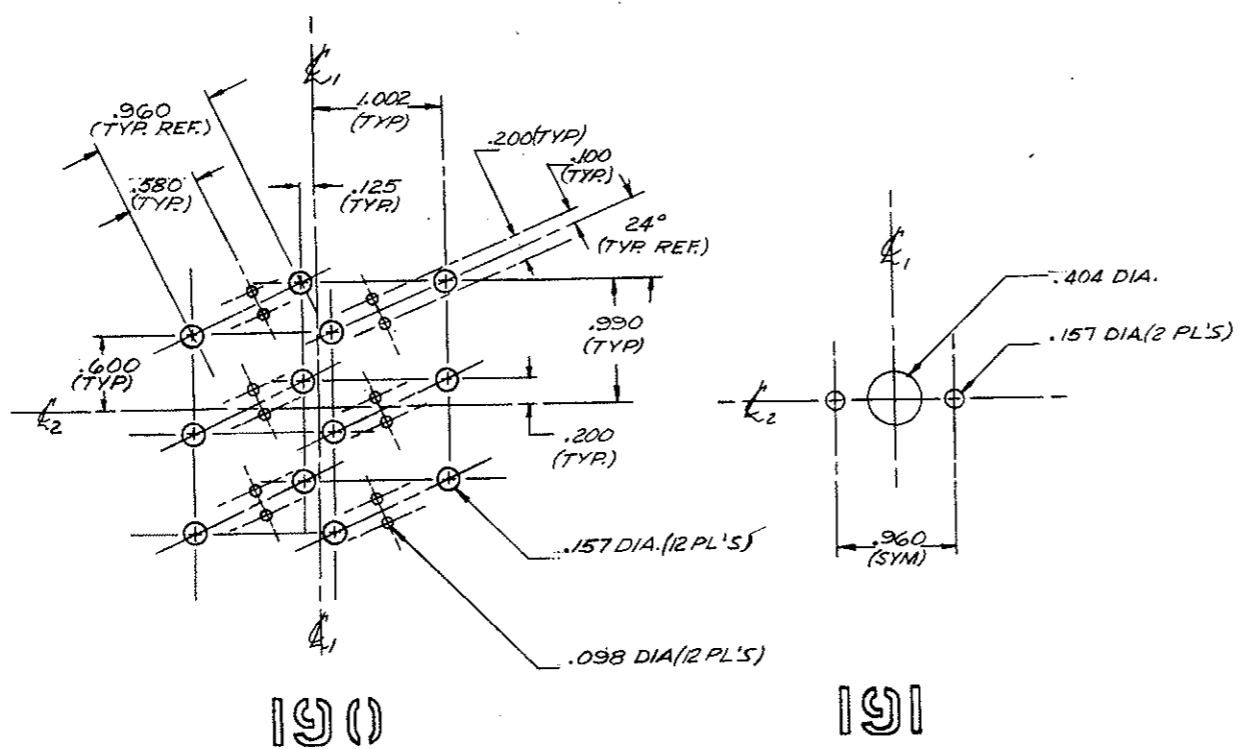
1597	D
E.C.O. NUMBER	REV.
PAGE 1	of 1

HOLE PATTERN	OUTLINE NO
188	(4) T066
189	(5) T066
190	(6) T066
191	T066 (MOD)
192	(2) T03'S WITH SOCKETS

REVISIONS			
SYM	DESCRIPTION	DATE	APPROVAL
A	PRODUCTION RELEASE	7-28-69	[Signature]
B	REDESIGNER HOLE PATTERN NO. 188	11-5-69	[Signature]



NOTES:
 1. HOLE PATTERNS TO BE LOCATED WITHIN 1/32 OF LOCATION SHOWN.
 2. TOLERANCE ON HOLE DIA'S, INSULUBE 448 FINISH ONLY ±.015.



PART	ITEM	REQ'D	DESCRIPTION	FINISH
LIST OF MATERIAL				

DRAFTSMAN R. BOYD	DATE 6-7-69
CHECKER G. T. [Signature]	DATE 6/9/69
ENGINEER [Signature]	DATE 7/28/69
INSPECTION G. T. [Signature]	DATE 7/31/69
PRODUCTION [Signature]	DATE 7/31/69
APPROVED [Signature]	DATE 8-1-69

HOLE PATTERNS
188 THRU 192

SCALE 1:1

ierc INTERNATIONAL ELECTRONIC RESEARCH CORPORATION a corporate division of DYNAMIX CORPORATION OF AMERICA Burbank, California 91502	
DRAWING NUMBER 3429-10	REV. B
CODE 98978	INDEX: MFG

THE INTERNATIONAL ELECTRONIC RESEARCH CORPORATION CLAIMS PATENT AND/OR PROPRIETARY RIGHTS IN THE MATERIAL DISCLOSED HEREON. THIS DRAWING IS ISSUED IN CONFIDENCE FOR ENGINEERING INFORMATION AND MAY NOT BE REPRODUCED OR USED TO MANUFACTURE ANYTHING SHOWN HEREON WITHOUT DIRECT WRITTEN PERMISSION FROM INTERNATIONAL ELECTRONIC RESEARCH CORPORATION TO THE USER.

UNLESS OTHERWISE SPECIFIED —
 DIMENSIONS APPLY AFTER PLATING
 TOLERANCES
 FRAC. ± 1/64 XXX ± .010 SURFACE
 ANGLES ± 1/2° .XXX ± .008

Данный компонент на территории Российской Федерации

Вы можете приобрести в компании MosChip.

Для оперативного оформления запроса Вам необходимо перейти по данной ссылке:

<http://moschip.ru/get-element>

Вы можете разместить у нас заказ для любого Вашего проекта, будь то серийное производство или разработка единичного прибора.

В нашем ассортименте представлены ведущие мировые производители активных и пассивных электронных компонентов.

Нашей специализацией является поставка электронной компонентной базы двойного назначения, продукции таких производителей как XILINX, Intel (ex.ALTERA), Vicor, Microchip, Texas Instruments, Analog Devices, Mini-Circuits, Amphenol, Glenair.

Сотрудничество с глобальными дистрибьюторами электронных компонентов, предоставляет возможность заказывать и получать с международных складов практически любой перечень компонентов в оптимальные для Вас сроки.

На всех этапах разработки и производства наши партнеры могут получить квалифицированную поддержку опытных инженеров.

Система менеджмента качества компании отвечает требованиям в соответствии с ГОСТ Р ИСО 9001, ГОСТ РВ 0015-002 и ЭС РД 009

Офис по работе с юридическими лицами:

105318, г.Москва, ул.Щербаковская д.3, офис 1107, 1118, ДЦ «Щербаковский»

Телефон: +7 495 668-12-70 (многоканальный)

Факс: +7 495 668-12-70 (доб.304)

E-mail: info@moschip.ru

Skype отдела продаж:

moschip.ru

moschip.ru_4

moschip.ru_6

moschip.ru_9