

# C&K SDA Series Low Profile DIP Switches

—  
DIP



## Features/Benefits

- Low profile design saves space
- Thru-hole and surface mount models
- High pressure contact does not require tape sealing
- Tape and reel packaging available
- RoHS compliant - options available

## Typical Applications

- Address switch for industrial controls
- Logic switching for computers and peripherals
- Function controlling for numerous applications

## How To Order

Complete part numbers for SDA Series are shown on pages I-6 through I-8. All switches supplied in "OFF" position.

## Specifications

CONTACT RATING: 25 mA @ 24 V DC or 100 mA @ 50 V DC.  
 MECHANICAL AND ELECTRICAL LIFE: 1,000 cycles at rated loads.  
 CONTACT RESISTANCE: 50 milliohms max. initial.  
 INSULATION RESISTANCE: 100 megohms between terminals.  
 DIELECTRIC WITHSTANDING VOLTAGE: 300 V DC min. for 1 minute.  
 STORAGE TEMPERATURE: -40°C to 85°C.  
 OPERATING TEMPERATURE: -20°C to 85°C.  
 OPERATING FORCE: 800 grams max.  
 SOLDERABILITY: Dip and look solderability testing per C&K spec. #448. Unplated edges of terminals permitted.  
 PACKAGING: Switches supplied in rigid dispensing tubes in full-tube quantities only, this may affect order quantity. Numbers of switches per tube varies with model. Tape and reel packaging also available.

## Materials

HOUSING: Tin Lead, Version PPA (UL94V-0).  
 RoHS, Version PPS, color black (UL94V-0).  
 COVER: PPA color: Red (UL 94V-0).  
 RoHS, version PPS, color black (UL94V-0).  
 ACTUATOR: PA6T (UL94-0)  
 CONTACTS: Gold plated Beryllium copper.  
 TERMINALS: Tin lead plated brass. RoHS, gold plate over nickel plated brass.  
 TAPE SEAL: Polyimide.

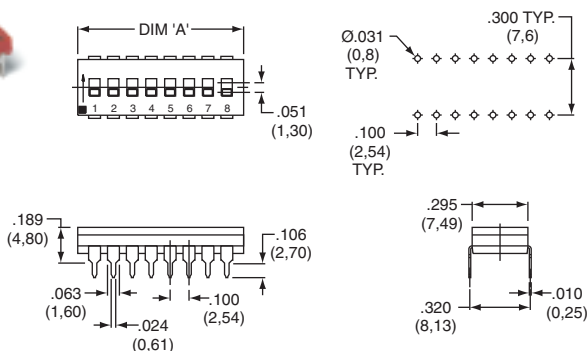
**NOTE:** For the latest information regarding RoHS compliance, please go to: [www.ittcannon.com/rohs](http://www.ittcannon.com/rohs).

**Note:** Specifications and materials listed above are for switches with standard options. For information on specific and custom switches, consult Customer Service Center.

## Flush Actuator – No Tape, Thru-hole Terminals



SDA08H0KD



| ROHS PART NUMBER | TIN LEAD PART NUMBER | NO. POS. | DIM. 'A'      | QUANTITY PER TUBE |
|------------------|----------------------|----------|---------------|-------------------|
| SDA01H0BD        | SDA01H0KD            | 1        | .178 (4,52)   | 100               |
| SDA02H0BD        | SDA02H0KD            | 2        | .278 (7,06)   | 60                |
| SDA03H0BD        | SDA03H0KD            | 3        | .378 (9,60)   | 45                |
| SDA04H0BD        | SDA04H0KD            | 4        | .476 (12,10)  | 35                |
| SDA05H0BD        | SDA05H0KD            | 5        | .578 (14,68)  | 30                |
| SDA06H0BD        | SDA06H0KD            | 6        | .676 (17,18)  | 25                |
| SDA07H0BD        | SDA07H0KD            | 7        | .778 (19,76)  | 20                |
| SDA08H0BD        | SDA08H0KD            | 8        | .876 (22,26)  | 20                |
| SDA09H0BD        | SDA09H0KD            | 9        | .978 (24,84)  | 15                |
| SDA10H0BD        | SDA10H0KD            | 10       | 1.076 (27,34) | 15                |
| SDA12H0BD        | SDA12H0KD            | 12       | 1.279 (32,50) | 14                |

Schematic: SPST



Dimensions are shown: Inch (mm)  
 Specifications and dimensions subject to change



# C&K SDA Series Low Profile DIP Switches

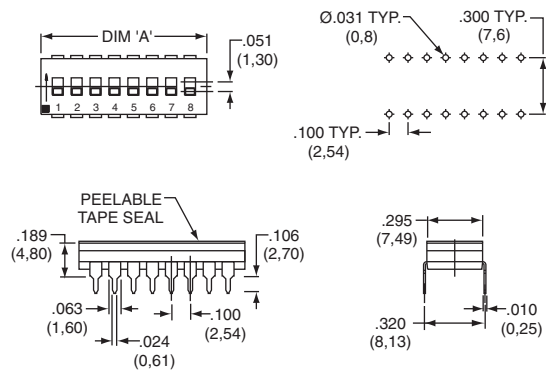
—  
DIP

## Flush Actuator – With Top Tape, Thru-hole Terminals

| ROHS PART NUMBER | TIN LEAD PART NUMBER | NO. POS. | DIM. 'A'      | QUANTITY PER TUBE |
|------------------|----------------------|----------|---------------|-------------------|
| <b>SDA01H0B</b>  | <b>SDA01H0K</b>      | 1        | .178 (4,52)   | 100               |
| <b>SDA02H0B</b>  | <b>SDA02H0K</b>      | 2        | .278 (7,06)   | 60                |
| <b>SDA03H0B</b>  | <b>SDA03H0K</b>      | 3        | .378 (9,60)   | 45                |
| <b>SDA04H0B</b>  | <b>SDA04H0K</b>      | 4        | .476 (12,10)  | 35                |
| <b>SDA05H0B</b>  | <b>SDA05H0K</b>      | 5        | .578 (14,68)  | 30                |
| <b>SDA06H0B</b>  | <b>SDA06H0K</b>      | 6        | .676 (17,18)  | 25                |
| <b>SDA07H0B</b>  | <b>SDA07H0K</b>      | 7        | .778 (19,76)  | 20                |
| <b>SDA08H0B</b>  | <b>SDA08H0K</b>      | 8        | .876 (22,26)  | 20                |
| <b>SDA09H0B</b>  | <b>SDA09H0K</b>      | 9        | .978 (24,84)  | 15                |
| <b>SDA10H0B</b>  | <b>SDA10H0K</b>      | 10       | 1.076 (27,34) | 15                |
| <b>SDA12H0B</b>  | <b>SDA12H0K</b>      | 12       | 1.279 (32,50) | 14                |

Schematic

SPST



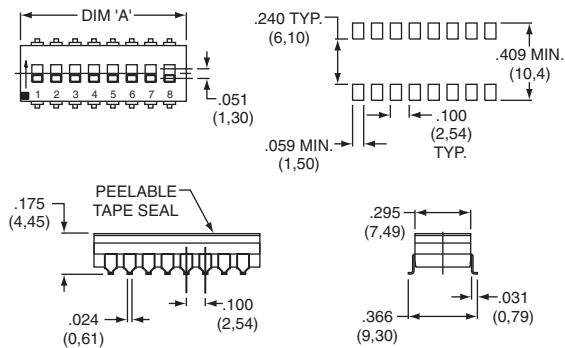
SDA08H0K

## Flush Actuator – With Top Tape, Surface Mount Terminals

| ROHS PART NUMBER | TIN LEAD PART NUMBER | NO. POS. | DIM. 'A'      | QUANTITY PER TUBE |
|------------------|----------------------|----------|---------------|-------------------|
| <b>SDA01H0SB</b> | <b>SDA01H0SK</b>     | 1        | .178 (4,52)   | 100               |
| <b>SDA02H0SB</b> | <b>SDA02H0SK</b>     | 2        | .278 (7,06)   | 60                |
| <b>SDA03H0SB</b> | <b>SDA03H0SK</b>     | 3        | .378 (9,60)   | 45                |
| <b>SDA04H0SB</b> | <b>SDA04H0SK</b>     | 4        | .476 (12,10)  | 35                |
| <b>SDA05H0SB</b> | <b>SDA05H0SK</b>     | 5        | .578 (14,68)  | 30                |
| <b>SDA06H0SB</b> | <b>SDA06H0SK</b>     | 6        | .676 (17,18)  | 25                |
| <b>SDA07H0SB</b> | <b>SDA07H0SK</b>     | 7        | .778 (19,76)  | 20                |
| <b>SDA08H0SB</b> | <b>SDA08H0SK</b>     | 8        | .876 (22,26)  | 20                |
| <b>SDA09H0SB</b> | <b>SDA09H0SK</b>     | 9        | .978 (24,84)  | 15                |
| <b>SDA10H0SB</b> | <b>SDA10H0SK</b>     | 10       | 1.076 (27,34) | 15                |
| <b>SDA12H0SB</b> | <b>SDA12H0SK</b>     | 12       | 1.279 (32,50) | 14                |

Schematic

SPST



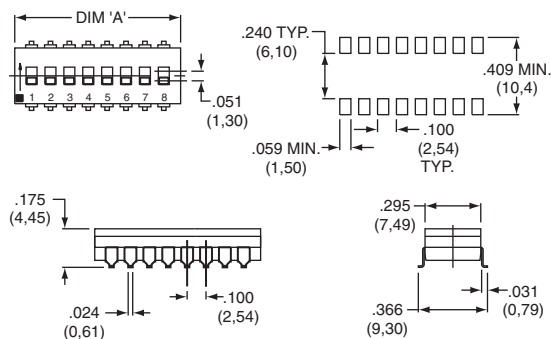
SDA08H0SK

## Flush Actuator – No Tape, Surface Mount Terminals

| ROHS PART NUMBER  | TIN LEAD PART NUMBER | NO. POS. | DIM. 'A'      | QUANTITY PER TUBE |
|-------------------|----------------------|----------|---------------|-------------------|
| <b>SDA01H0SBD</b> | <b>SDA01H0SKD</b>    | 1        | .178 (4,52)   | 100               |
| <b>SDA02H0SBD</b> | <b>SDA02H0SKD</b>    | 2        | .278 (7,06)   | 60                |
| <b>SDA03H0SBD</b> | <b>SDA03H0SKD</b>    | 3        | .378 (9,60)   | 45                |
| <b>SDA04H0SBD</b> | <b>SDA04H0SKD</b>    | 4        | .476 (12,10)  | 35                |
| <b>SDA05H0SBD</b> | <b>SDA05H0SKD</b>    | 5        | .578 (14,68)  | 30                |
| <b>SDA06H0SBD</b> | <b>SDA06H0SKD</b>    | 6        | .676 (17,18)  | 25                |
| <b>SDA07H0SBD</b> | <b>SDA07H0SKD</b>    | 7        | .778 (19,76)  | 20                |
| <b>SDA08H0SBD</b> | <b>SDA08H0SKD</b>    | 8        | .876 (22,26)  | 20                |
| <b>SDA09H0SBD</b> | <b>SDA09H0SKD</b>    | 9        | .978 (24,84)  | 15                |
| <b>SDA10H0SBD</b> | <b>SDA10H0SKD</b>    | 10       | 1.076 (27,34) | 15                |
| <b>SDA12H0SBD</b> | <b>SDA12H0SKD</b>    | 12       | 1.279 (32,50) | 14                |

Schematic

SPST



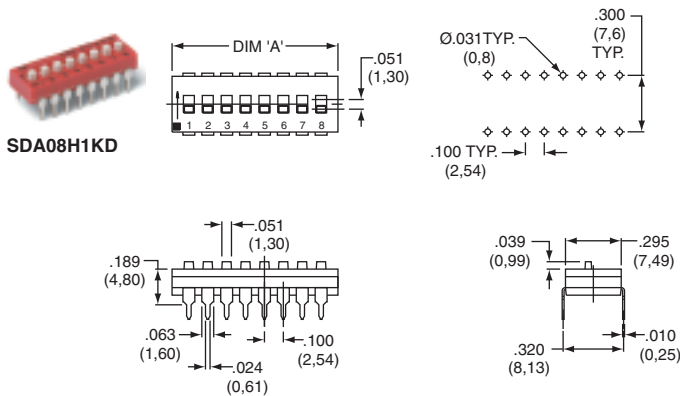
SDA08H0SKD



Dimensions are shown: Inch (mm)  
Specifications and dimensions subject to change

# C&K SDA Series Low Profile DIP Switches

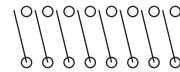
## Extended Actuator – No Top Tape, Thru-hole Terminals



SDA08H1KD

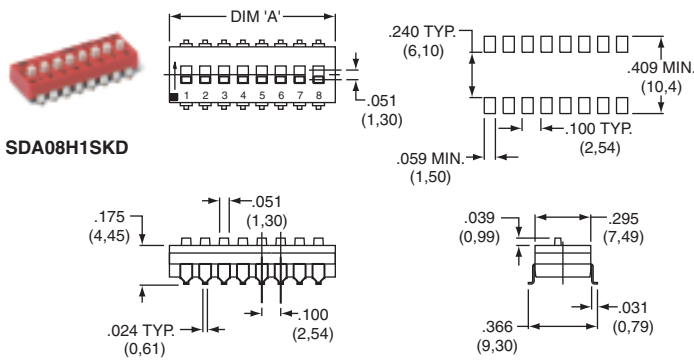
| ROHS PART NUMBER | TIN LEAD PART NUMBER | NO. POS. | DIM. 'A'      | QUANTITY PER TUBE |
|------------------|----------------------|----------|---------------|-------------------|
| SDA01H1BD        | SDA01H1KD            | 1        | .178 (4,52)   | 100               |
| SDA02H1BD        | SDA02H1KD            | 2        | .278 (7,06)   | 60                |
| SDA03H1BD        | SDA03H1KD            | 3        | .378 (9,60)   | 45                |
| SDA04H1BD        | SDA04H1KD            | 4        | .476 (12,10)  | 35                |
| SDA05H1BD        | SDA05H1KD            | 5        | .578 (14,68)  | 30                |
| SDA06H1BD        | SDA06H1KD            | 6        | .676 (17,18)  | 25                |
| SDA07H1BD        | SDA07H1KD            | 7        | .778 (19,76)  | 20                |
| SDA08H1BD        | SDA08H1KD            | 8        | .876 (22,26)  | 20                |
| SDA09H1BD        | SDA09H1KD            | 9        | .978 (24,84)  | 15                |
| SDA10H1BD        | SDA10H1KD            | 10       | 1.076 (27,34) | 15                |
| SDA12H1BD        | SDA12H1KD            | 12       | 1.279 (32,50) | 14                |

Schematic



SPST

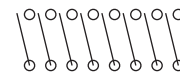
## Extended Actuator – No Top Tape, Surface Mount Terminals



SDA08H1SKD

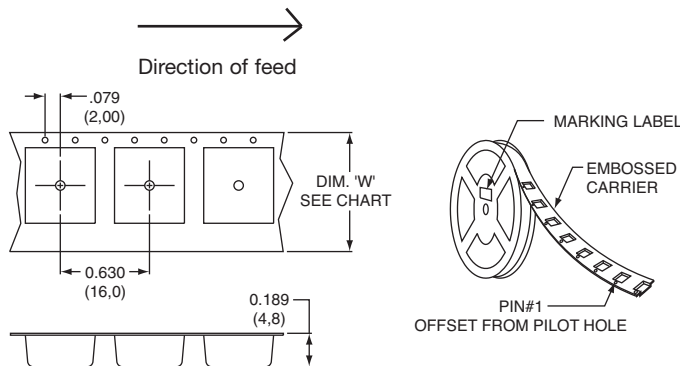
| ROHS PART NUMBER | TIN LEAD PART NUMBER | NO. POS. | DIM. 'A'      | QUANTITY PER TUBE |
|------------------|----------------------|----------|---------------|-------------------|
| SDA01H1SBD       | SDA01H1SKD           | 1        | .178 (4,52)   | 100               |
| SDA02H1SBD       | SDA02H1SKD           | 2        | .278 (7,06)   | 60                |
| SDA03H1SBD       | SDA03H1SKD           | 3        | .378 (9,60)   | 45                |
| SDA04H1SBD       | SDA04H1SKD           | 4        | .476 (12,10)  | 35                |
| SDA05H1SBD       | SDA05H1SKD           | 5        | .578 (14,68)  | 30                |
| SDA06H1SBD       | SDA06H1SKD           | 6        | .676 (17,18)  | 25                |
| SDA07H1SBD       | SDA07H1SKD           | 7        | .778 (19,76)  | 20                |
| SDA08H1SBD       | SDA08H1SKD           | 8        | .876 (22,26)  | 20                |
| SDA09H1SBD       | SDA09H1SKD           | 9        | .978 (24,84)  | 15                |
| SDA10H1SBD       | SDA10H1SKD           | 10       | 1.076 (27,34) | 15                |
| SDA12H1SBD       | SDA12H1SKD           | 12       | 1.279 (32,50) | 14                |

Schematic



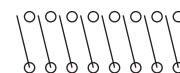
SPST

## Tape & Reel Packaging – Surface Mount Options only

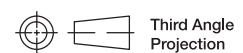


| ROHS PART NUMBER | TIN LEAD PART NUMBER | DIM. 'W'    | QUANTITY PER TUBE |
|------------------|----------------------|-------------|-------------------|
| SDA01H0SBR       | SDA01H0SKR           | .945 (24,0) | 1500              |
| SDA02H0SBR       | SDA02H0SKR           | .945 (24,0) | 750               |
| SDA03H0SBR       | SDA03H0SKR           | .945 (24,0) | 750               |
| SDA04H0SBR       | SDA04H0SKR           | .945 (24,0) | 750               |
| SDA05H0SBR       | SDA05H0SKR           | .945 (24,0) | 750               |
| SDA06H0SBR       | SDA06H0SKR           | 1.26 (32,0) | 750               |
| SDA07H0SBR       | SDA07H0SKR           | 1.26 (32,0) | 750               |
| SDA08H0SBR       | SDA08H0SKR           | 1.73 (44,0) | 750               |
| SDA09H0SBR       | SDA09H0SKR           | 1.73 (44,0) | 750               |
| SDA10H0SBR       | SDA10H0SKR           | 1.73 (44,0) | 750               |
| SDA12H0SBR       | SDA12H0SKR           | 1.73 (44,0) | 750               |

Schematic



SPST



Third Angle Projection

Dimensions are shown: Inch (mm)  
Specifications and dimensions subject to change



## Данный компонент на территории Российской Федерации

### Вы можете приобрести в компании MosChip.

Для оперативного оформления запроса Вам необходимо перейти по данной ссылке:

<http://moschip.ru/get-element>

Вы можете разместить у нас заказ для любого Вашего проекта, будь то серийное производство или разработка единичного прибора.

В нашем ассортименте представлены ведущие мировые производители активных и пассивных электронных компонентов.

Нашей специализацией является поставка электронной компонентной базы двойного назначения, продукции таких производителей как XILINX, Intel (ex.ALTERA), Vicor, Microchip, Texas Instruments, Analog Devices, Mini-Circuits, Amphenol, Glenair.

Сотрудничество с глобальными дистрибьюторами электронных компонентов, предоставляет возможность заказывать и получать с международных складов практически любой перечень компонентов в оптимальные для Вас сроки.

На всех этапах разработки и производства наши партнеры могут получить квалифицированную поддержку опытных инженеров.

Система менеджмента качества компании отвечает требованиям в соответствии с ГОСТ Р ИСО 9001, ГОСТ РВ 0015-002 и ЭС РД 009

### Офис по работе с юридическими лицами:

105318, г.Москва, ул.Щербаковская д.3, офис 1107, 1118, ДЦ «Щербаковский»

Телефон: +7 495 668-12-70 (многоканальный)

Факс: +7 495 668-12-70 (доб.304)

E-mail: [info@moschip.ru](mailto:info@moschip.ru)

Skype отдела продаж:

moschip.ru

moschip.ru\_4

moschip.ru\_6

moschip.ru\_9