

C&K SDA Series Low Profile DIP Switches

—

DIP



Features/Benefits

- Low profile design saves space
- Thru-hole and surface mount models
- High pressure contact does not require tape sealing
- Tape and reel packaging available
- RoHS compliant - options available

Typical Applications

- Address switch for industrial controls
- Logic switching for computers and peripherals
- Function controlling for numerous applications

How To Order

Complete part numbers for SDA Series are shown on pages I-6 through I-8. All switches supplied in "OFF" position.

Specifications

CONTACT RATING: 25 mA @ 24 V DC or 100 mA @ 50 V DC.
 MECHANICAL AND ELECTRICAL LIFE: 1,000 cycles at rated loads.
 CONTACT RESISTANCE: 50 milliohms max. initial.
 INSULATION RESISTANCE: 100 megohms between terminals.
 DIELECTRIC WITHSTANDING VOLTAGE: 300 V DC min. for 1 minute.
 STORAGE TEMPERATURE: -40°C to 85°C.
 OPERATING TEMPERATURE: -20°C to 85°C.
 OPERATING FORCE: 800 grams max.
 SOLDERABILITY: Dip and look solderability testing per C&K spec. #448. Unplated edges of terminals permitted.
 PACKAGING: Switches supplied in rigid dispensing tubes in full-tube quantities only, this may affect order quantity. Numbers of switches per tube varies with model. Tape and reel packaging also available.

Materials

HOUSING: Tin Lead, Version PPA (UL94V-0).
 RoHS, Version PPS, color black (UL94V-0).
 COVER: PPA color: Red (UL 94V-0).
 RoHS, version PPS, color black (UL94V-0).
 ACTUATOR: PA6T (UL94-0)
 CONTACTS: Gold plated Beryllium copper.
 TERMINALS: Tin lead plated brass. RoHS, gold plate over nickel plated brass.
 TAPE SEAL: Polyimide.

NOTE: For the latest information regarding RoHS compliance, please go to: www.ittcannon.com/rohs.

Note: Specifications and materials listed above are for switches with standard options. For information on specific and custom switches, consult Customer Service Center.

Flush Actuator – No Tape, Thru-hole Terminals



SDA08H0KD



| ROHS PART NUMBER | TIN LEAD PART NUMBER | NO. POS. | DIM. 'A' | QUANTITY PER TUBE |
|------------------|----------------------|----------|---------------|-------------------|
| SDA01H0BD | SDA01H0KD | 1 | .178 (4,52) | 100 |
| SDA02H0BD | SDA02H0KD | 2 | .278 (7,06) | 60 |
| SDA03H0BD | SDA03H0KD | 3 | .378 (9,60) | 45 |
| SDA04H0BD | SDA04H0KD | 4 | .476 (12,10) | 35 |
| SDA05H0BD | SDA05H0KD | 5 | .578 (14,68) | 30 |
| SDA06H0BD | SDA06H0KD | 6 | .676 (17,18) | 25 |
| SDA07H0BD | SDA07H0KD | 7 | .778 (19,76) | 20 |
| SDA08H0BD | SDA08H0KD | 8 | .876 (22,26) | 20 |
| SDA09H0BD | SDA09H0KD | 9 | .978 (24,84) | 15 |
| SDA10H0BD | SDA10H0KD | 10 | 1.076 (27,34) | 15 |
| SDA12H0BD | SDA12H0KD | 12 | 1.279 (32,50) | 14 |

Schematic:

SPST



Dimensions are shown: Inch (mm)
 Specifications and dimensions subject to change



C&K SDA Series Low Profile DIP Switches



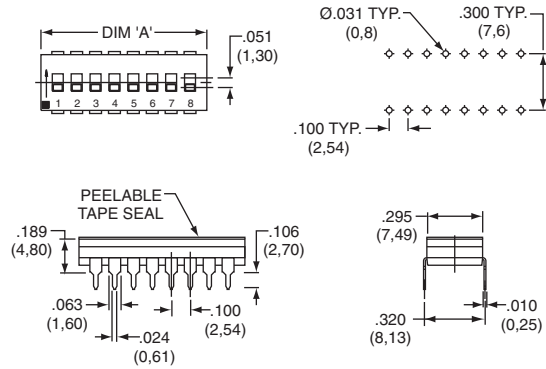
DIP

Flush Actuator – With Top Tape, Thru-hole Terminals

| ROHS PART NUMBER | TIN LEAD PART NUMBER | NO. POS. | DIM. 'A' | QUANTITY PER TUBE |
|------------------|----------------------|----------|---------------|-------------------|
| SDA01H0B | SDA01H0K | 1 | .178 (4,52) | 100 |
| SDA02H0B | SDA02H0K | 2 | .278 (7,06) | 60 |
| SDA03H0B | SDA03H0K | 3 | .378 (9,60) | 45 |
| SDA04H0B | SDA04H0K | 4 | .476 (12,10) | 35 |
| SDA05H0B | SDA05H0K | 5 | .578 (14,68) | 30 |
| SDA06H0B | SDA06H0K | 6 | .676 (17,18) | 25 |
| SDA07H0B | SDA07H0K | 7 | .778 (19,76) | 20 |
| SDA08H0B | SDA08H0K | 8 | .876 (22,26) | 20 |
| SDA09H0B | SDA09H0K | 9 | .978 (24,84) | 15 |
| SDA10H0B | SDA10H0K | 10 | 1.076 (27,34) | 15 |
| SDA12H0B | SDA12H0K | 12 | 1.279 (32,50) | 14 |

Schematic

SPST



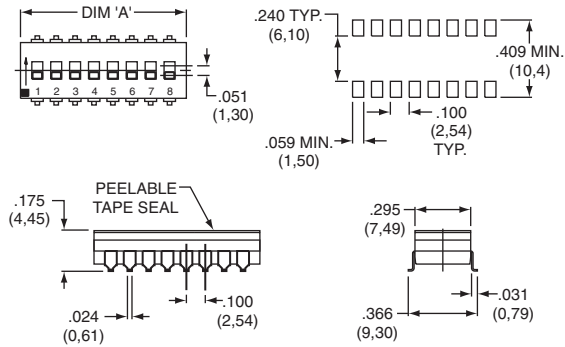
SDA08H0K

Flush Actuator – With Top Tape, Surface Mount Terminals

| ROHS PART NUMBER | TIN LEAD PART NUMBER | NO. POS. | DIM. 'A' | QUANTITY PER TUBE |
|------------------|----------------------|----------|---------------|-------------------|
| SDA01H0SB | SDA01H0SK | 1 | .178 (4,52) | 100 |
| SDA02H0SB | SDA02H0SK | 2 | .278 (7,06) | 60 |
| SDA03H0SB | SDA03H0SK | 3 | .378 (9,60) | 45 |
| SDA04H0SB | SDA04H0SK | 4 | .476 (12,10) | 35 |
| SDA05H0SB | SDA05H0SK | 5 | .578 (14,68) | 30 |
| SDA06H0SB | SDA06H0SK | 6 | .676 (17,18) | 25 |
| SDA07H0SB | SDA07H0SK | 7 | .778 (19,76) | 20 |
| SDA08H0SB | SDA08H0SK | 8 | .876 (22,26) | 20 |
| SDA09H0SB | SDA09H0SK | 9 | .978 (24,84) | 15 |
| SDA10H0SB | SDA10H0SK | 10 | 1.076 (27,34) | 15 |
| SDA12H0SB | SDA12H0SK | 12 | 1.279 (32,50) | 14 |

Schematic

SPST



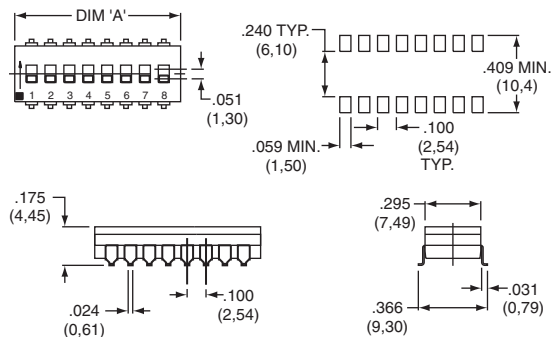
SDA08H0SK

Flush Actuator – No Tape, Surface Mount Terminals

| ROHS PART NUMBER | TIN LEAD PART NUMBER | NO. POS. | DIM. 'A' | QUANTITY PER TUBE |
|------------------|----------------------|----------|---------------|-------------------|
| SDA01H0SBD | SDA01H0SKD | 1 | .178 (4,52) | 100 |
| SDA02H0SBD | SDA02H0SKD | 2 | .278 (7,06) | 60 |
| SDA03H0SBD | SDA03H0SKD | 3 | .378 (9,60) | 45 |
| SDA04H0SBD | SDA04H0SKD | 4 | .476 (12,10) | 35 |
| SDA05H0SBD | SDA05H0SKD | 5 | .578 (14,68) | 30 |
| SDA06H0SBD | SDA06H0SKD | 6 | .676 (17,18) | 25 |
| SDA07H0SBD | SDA07H0SKD | 7 | .778 (19,76) | 20 |
| SDA08H0SBD | SDA08H0SKD | 8 | .876 (22,26) | 20 |
| SDA09H0SBD | SDA09H0SKD | 9 | .978 (24,84) | 15 |
| SDA10H0SBD | SDA10H0SKD | 10 | 1.076 (27,34) | 15 |
| SDA12H0SBD | SDA12H0SKD | 12 | 1.279 (32,50) | 14 |

Schematic

SPST



SDA08H0SKD

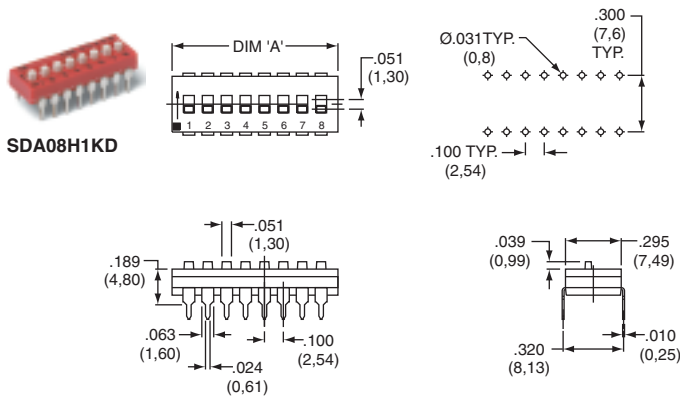


Third Angle Projection

Dimensions are shown: Inch (mm)
Specifications and dimensions subject to change

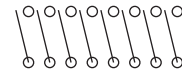
C&K SDA Series Low Profile DIP Switches

Extended Actuator – No Top Tape, Thru-hole Terminals



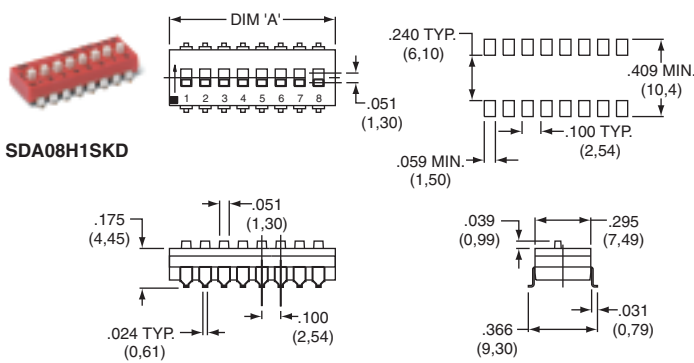
| ROHS PART NUMBER | TIN LEAD PART NUMBER | NO. POS. | DIM. 'A' | QUANTITY PER TUBE |
|------------------|----------------------|----------|---------------|-------------------|
| SDA01H1BD | SDA01H1KD | 1 | .178 (4,52) | 100 |
| SDA02H1BD | SDA02H1KD | 2 | .278 (7,06) | 60 |
| SDA03H1BD | SDA03H1KD | 3 | .378 (9,60) | 45 |
| SDA04H1BD | SDA04H1KD | 4 | .476 (12,10) | 35 |
| SDA05H1BD | SDA05H1KD | 5 | .578 (14,68) | 30 |
| SDA06H1BD | SDA06H1KD | 6 | .676 (17,18) | 25 |
| SDA07H1BD | SDA07H1KD | 7 | .778 (19,76) | 20 |
| SDA08H1BD | SDA08H1KD | 8 | .876 (22,26) | 20 |
| SDA09H1BD | SDA09H1KD | 9 | .978 (24,84) | 15 |
| SDA10H1BD | SDA10H1KD | 10 | 1.076 (27,34) | 15 |
| SDA12H1BD | SDA12H1KD | 12 | 1.279 (32,50) | 14 |

Schematic



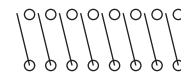
SPST

Extended Actuator – No Top Tape, Surface Mount Terminals



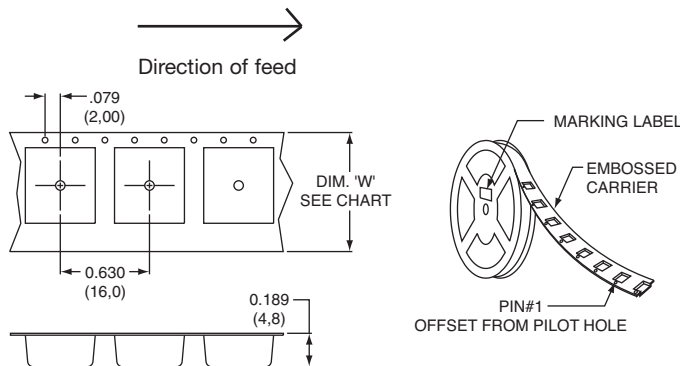
| ROHS PART NUMBER | TIN LEAD PART NUMBER | NO. POS. | DIM. 'A' | QUANTITY PER TUBE |
|------------------|----------------------|----------|---------------|-------------------|
| SDA01H1SBD | SDA01H1SKD | 1 | .178 (4,52) | 100 |
| SDA02H1SBD | SDA02H1SKD | 2 | .278 (7,06) | 60 |
| SDA03H1SBD | SDA03H1SKD | 3 | .378 (9,60) | 45 |
| SDA04H1SBD | SDA04H1SKD | 4 | .476 (12,10) | 35 |
| SDA05H1SBD | SDA05H1SKD | 5 | .578 (14,68) | 30 |
| SDA06H1SBD | SDA06H1SKD | 6 | .676 (17,18) | 25 |
| SDA07H1SBD | SDA07H1SKD | 7 | .778 (19,76) | 20 |
| SDA08H1SBD | SDA08H1SKD | 8 | .876 (22,26) | 20 |
| SDA09H1SBD | SDA09H1SKD | 9 | .978 (24,84) | 15 |
| SDA10H1SBD | SDA10H1SKD | 10 | 1.076 (27,34) | 15 |
| SDA12H1SBD | SDA12H1SKD | 12 | 1.279 (32,50) | 14 |

Schematic



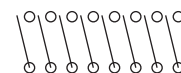
SPST

Tape & Reel Packaging – Surface Mount Options only



| ROHS PART NUMBER | TIN LEAD PART NUMBER | DIM. 'W' | QUANTITY PER TUBE |
|------------------|----------------------|-------------|-------------------|
| SDA01H0SBR | SDA01H0SKR | .945 (24,0) | 1500 |
| SDA02H0SBR | SDA02H0SKR | .945 (24,0) | 750 |
| SDA03H0SBR | SDA03H0SKR | .945 (24,0) | 750 |
| SDA04H0SBR | SDA04H0SKR | .945 (24,0) | 750 |
| SDA05H0SBR | SDA05H0SKR | .945 (24,0) | 750 |
| SDA06H0SBR | SDA06H0SKR | 1.26 (32,0) | 750 |
| SDA07H0SBR | SDA07H0SKR | 1.26 (32,0) | 750 |
| SDA08H0SBR | SDA08H0SKR | 1.73 (44,0) | 750 |
| SDA09H0SBR | SDA09H0SKR | 1.73 (44,0) | 750 |
| SDA10H0SBR | SDA10H0SKR | 1.73 (44,0) | 750 |
| SDA12H0SBR | SDA12H0SKR | 1.73 (44,0) | 750 |

Schematic



SPST



Third Angle Projection

Dimensions are shown: Inch (mm)
Specifications and dimensions subject to change

Данный компонент на территории Российской Федерации

Вы можете приобрести в компании MosChip.

Для оперативного оформления запроса Вам необходимо перейти по данной ссылке:

<http://moschip.ru/get-element>

Вы можете разместить у нас заказ для любого Вашего проекта, будь то серийное производство или разработка единичного прибора.

В нашем ассортименте представлены ведущие мировые производители активных и пассивных электронных компонентов.

Нашей специализацией является поставка электронной компонентной базы двойного назначения, продукции таких производителей как XILINX, Intel (ex.ALTERA), Vicor, Microchip, Texas Instruments, Analog Devices, Mini-Circuits, Amphenol, Glenair.

Сотрудничество с глобальными дистрибьюторами электронных компонентов, предоставляет возможность заказывать и получать с международных складов практически любой перечень компонентов в оптимальные для Вас сроки.

На всех этапах разработки и производства наши партнеры могут получить квалифицированную поддержку опытных инженеров.

Система менеджмента качества компании отвечает требованиям в соответствии с ГОСТ Р ИСО 9001, ГОСТ РВ 0015-002 и ЭС РД 009

Офис по работе с юридическими лицами:

105318, г.Москва, ул.Щербаковская д.3, офис 1107, 1118, ДЦ «Щербаковский»

Телефон: +7 495 668-12-70 (многоканальный)

Факс: +7 495 668-12-70 (доб.304)

E-mail: info@moschip.ru

Skype отдела продаж:

moschip.ru

moschip.ru_4

moschip.ru_6

moschip.ru_9