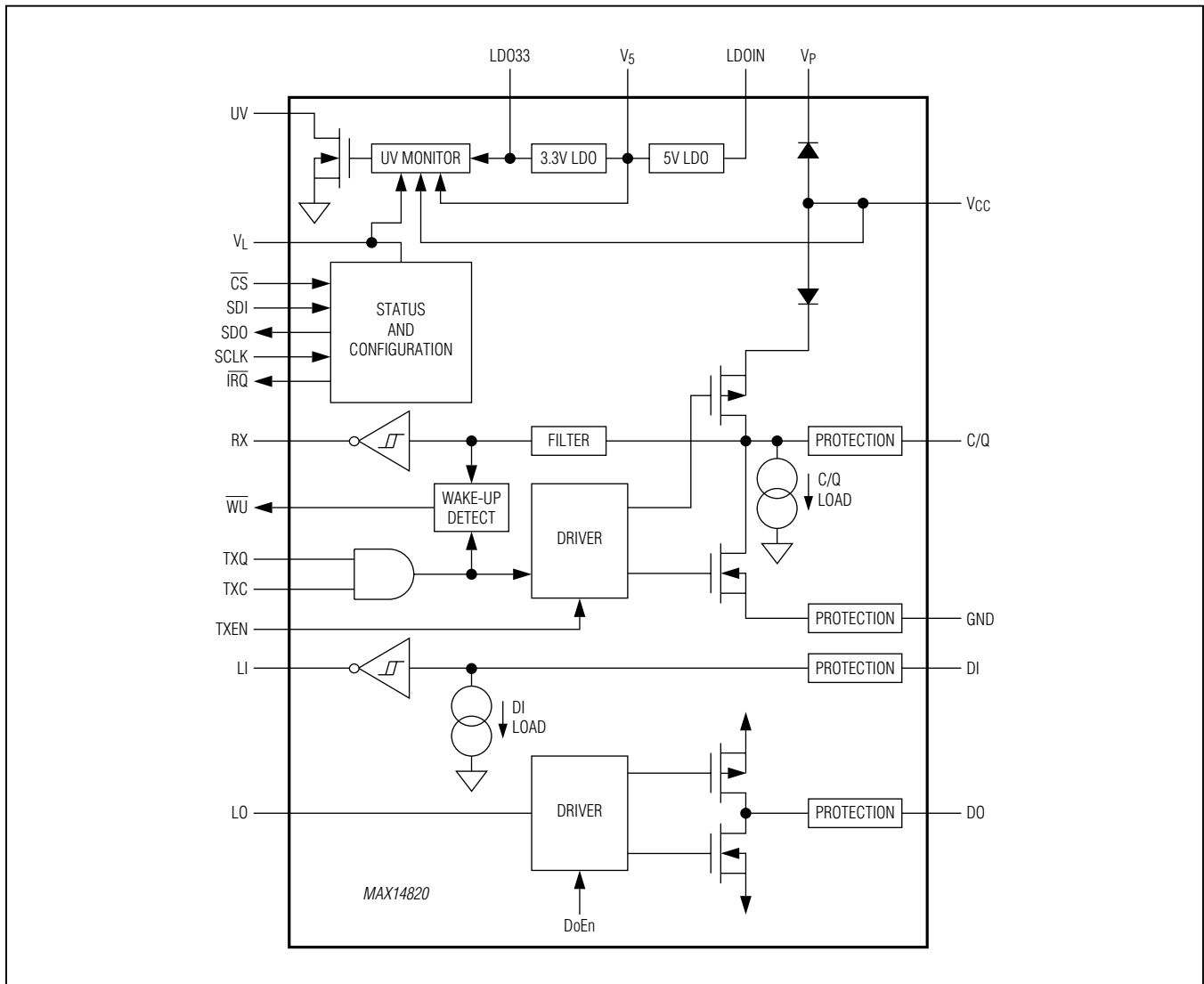


MAX14820

IO-Link Device Transceiver

Functional Diagram



IO-Link Device Transceiver

ABSOLUTE MAXIMUM RATINGS

(All voltages referenced to GND, unless otherwise noted.)

V _{CC}	-40V to +40V
V _P (I _{YP} < 50mA)	the higher of -0.3V and (V _{CC} - 1V) to +40V
LDOIN.....	-0.3V to +40V
V ₅	-0.3V to the lesser of (V _{LDOIN} + 0.3V) and +6V
LDO33	-0.3V to the lesser of (V ₅ + 0.3V) and +6V
V _L	-0.3V to +6V
DI	-40V to +40V
C/Q, DO.....	MIN: the higher of -40V and (V _{CC} - 40V) MAX: the lesser of +40V and (V _{CC} + 40V)

Logic Inputs

TXC, TXQ, TXEN, LO, \overline{CS} , SDI, SCLK..... -0.3V to (V_L + 0.3V)

Logic Outputs

RX, \overline{WU} , LI, SDO, \overline{IRQ}	-0.3V to (V _L + 0.3V)
UV	-0.3V to +6V
Continuous Current Into Any Logic Pin.....	±50mA
Continuous Power Dissipation	
TQFN (derate 27.8mW/°C above +70°C).....	2222mW
Operating Temperature Range	-40°C to +85°C
Maximum Junction Temperature.....	+150°C
Storage Temperature Range.....	-65°C to +150°C
Lead Temperature (soldering, 10s)	+300°C
Soldering Temperature (reflow)	+260°C

Stresses beyond those listed under "Absolute Maximum Ratings" may cause permanent damage to the device. These are stress ratings only, and functional operation of the device at these or any other conditions beyond those indicated in the operational sections of the specifications is not implied. Exposure to absolute maximum rating conditions for extended periods may affect device reliability.

PACKAGE THERMAL CHARACTERISTICS (Note 1)

TQFN

Junction-to-Ambient Thermal Resistance (θ_{JA})36°C/W

Junction-to-Case Thermal Resistance (θ_{JC})3°C/W

Note 1: Package thermal resistances were obtained using the method described in JEDEC specification JESD51-7, using a four-layer board. For detailed information on package thermal considerations, refer to www.maximintegrated.com/thermal-tutorial.

DC ELECTRICAL CHARACTERISTICS

(V_{CC} = 18V to 36V, V_L = 2.3V to 5.5V, V_{GND} = 0V; all logic inputs at V_L or GND; T_A = -40°C to +85°C, unless otherwise noted. Typical values are at V_{CC} = 24V, V_L = 3.3V, and T_A = +25°C, unless otherwise noted.) (Note 2)

PARAMETER	SYMBOL	CONDITIONS	MIN	TYP	MAX	UNITS
V _{CC} Supply Voltage	V _{CC}	For driver operation	9		36	V
V _{CC} Supply Current	I _{CC}	V _{CC} = 24V, C/Q as input, no load on V ₅ or LDO33, LDOIN not connected to V _P , V _{LDOIN} = 24V		1	2.5	mA
V _{CC} Undervoltage Lockout Threshold	V _{CCUVLO}	V _{CC} falling	6	7.4	9	V
V _{CC} Undervoltage Lockout Threshold Hysteresis	V _{CCUVLO_HYST}			200		mV
V ₅ Supply Current	I _{5_IN}	LDOIN shorted to V ₅ , external 5V applied to V ₅ , no switching, LDO33 disabled		3		mA
V ₅ Undervoltage Lockout Threshold	V _{5UVLO}	V ₅ falling		2.0		V
V _L Logic-Level Supply Voltage	V _L		2.3		5.5	V
V _L Logic-Level Supply Current	I _L	All logic inputs at V _L or GND			5	μA
V _L Undervoltage Threshold	V _{LUVLO}	V _L falling	0.65	0.95	1.30	V
5V LDO (V₅)						
LDOIN Input Voltage Range	V _{LDOIN}		7		36	V
LDOIN Supply Current	I _{LDOIN}	V _{LDOIN} = 24V, C/Q is configured as an input, no load on V ₅ or LDO33		2.5	5	mA

MAX14820

IO-Link Device Transceiver

DC ELECTRICAL CHARACTERISTICS (continued)

($V_{CC} = 18V$ to $36V$, $V_L = 2.3V$ to $5.5V$, $V_{GND} = 0V$; all logic inputs at V_L or GND ; $T_A = -40^\circ C$ to $+85^\circ C$, unless otherwise noted. Typical values are at $V_{CC} = 24V$, $V_L = 3.3V$, and $T_A = +25^\circ C$, unless otherwise noted.) (Note 2)

PARAMETER		CONDITIONS	MIN	TYP	MAX	UNITS
V_5 Output Voltage Range	V_5	No load on V_5 , $7V \leq V_{LDOIN} \leq 36V$	4.75	5.00	5.25	V
V_5 Load Regulation		$1mA < I_{LOAD} < 10mA$, $V_{LDOIN} = 7V$, 0.1 μF bypass capacitor on V_5	0.8			%
		$1mA < I_{LOAD} < 30mA$, $V_{LDOIN} = 7V$, 0.1 μF bypass capacitor on V_5 , 10 Ω -1 μF compensation network added to V_5	0.8			
3.3V LDO (LDO33)						
LDO33 Output Voltage	V_{LDO33}	No load on LDO33	3.1	3.3	3.5	V
LDO33 Undervoltage Lockout Threshold	$V_{LDO33UVLO}$	V_{LDO33} falling	2.4			V
LDO33 Load Regulation		$1mA < I_{LOAD} < 20mA$, $V_{LDOIN} = 7V$	0.25			%
24V INTERFACE						
C/Q Driver Output Voltage High	$V_{OH_C/Q}$	C/Q high-side enabled, $I_{C/Q} = -300mA$, $9V \leq V_{CC} \leq 36V$	$V_{CC} - 3$	$V_{CC} - 1.8$		V
C/Q Driver Output Voltage Low	$V_{OL_C/Q}$	C/Q low-side enabled, $I_{C/Q} = +300mA$, $9V \leq V_{CC} \leq 36V$	1.95		3	V
C/Q Driver Source Current Limit	$I_{OH_C/Q}$	C/Q high-side enabled, $V_{C/Q} < (V_{CC} - 3V)$, $9V \leq V_{CC} \leq 36V$	+375		+480	mA
C/Q Driver Sink Current Limit	$I_{OL_C/Q}$	C/Q low-side enabled, $V_{C/Q} > 3V$, $9V \leq V_{CC} \leq 36V$	-480	-375		mA
DO Driver Output Voltage High	V_{OH_DO}	DO high-side enabled, $I_{DO} = +135mA$, $9V \leq V_{CC} \leq 36V$	$V_{CC} - 3$	$V_{CC} - 1.75$		V
DO Driver Output Voltage Low	V_{OL_DO}	DO low-side enabled, $I_{DO} = -135mA$, $9V \leq V_{CC} \leq 36V$	1.85		3	V
DO Driver Source Current Limit	I_{OH_DO}	DO high-side enabled, $V_{DO} < (V_{CC} - 3V)$	200			mA
DO Driver Sink Current Limit	I_{OL_DO}	DO high-side enabled, $V_{DO} > 3V$	-200			mA
C/Q, DI Input Voltage Range	V_{IN}	For valid RX, LI	-1.0	$V_{CC} + 1.0$		V
C/Q Input Threshold High	$V_{IH_C/Q}$	C/Q driver disabled	10.5		13	V
C/Q Input Threshold Low	$V_{IL_C/Q}$	C/Q driver disabled	8.0		11.5	V
C/Q Input Hysteresis	$V_{HYS_C/Q}$	C/Q driver disabled	1.0			V
DI Input Threshold High	V_{IH_DI}		6.8		8	V
DI Input Threshold Low	V_{IL_DI}		5.2		6.4	V
DI Input Hysteresis	V_{HYS_DI}		1			V
C/Q Weak Pulldown Current	$I_{PDC/Q}$	C/Q driver disabled, $V_{C/Q} = (V_{CC} - 1V)$	100		400	μA

MAX14820

IO-Link Device Transceiver

DC ELECTRICAL CHARACTERISTICS (continued)

($V_{CC} = 18V$ to $36V$, $V_L = 2.3V$ to $5.5V$, $V_{GND} = 0V$; all logic inputs at V_L or GND; $T_A = -40^\circ C$ to $+85^\circ C$, unless otherwise noted. Typical values are at $V_{CC} = 24V$, $V_L = 3.3V$, and $T_A = +25^\circ C$, unless otherwise noted.) (Note 2)

PARAMETER	SYMBOL	CONDITIONS	MIN	TYP	MAX	UNITS
DO Weak Pulldown Current	I_{PDDO}	DO driver disabled, $V_{CC} = 36V$, $V_{DO} = (V_{CC} - 1V)$	40		120	μA
DI Weak Pulldown Current	I_{PDDI}	DI load disabled, $V_{CC} = 36V$, $V_{DI} = (V_{CC} - 1V)$	50		300	μA
C/Q Input Capacitance	$C_{C/Q}$	C/Q driver disabled		40		pF
DO Input Capacitance	C_{DO}	DO driver disabled		40		pF
DI Input Capacitance	C_{DI}			20		pF
C/Q, DI CURRENT SINK						
C/Q Load Current	$I_{LLM_C/Q}$	C/Q load enabled (C/QLoad = 1)	$0V \leq V_{C/Q} \leq 5V$	0	9	mA
			$5V \leq V_{C/Q}$	5	9	
DI Load Current	I_{LLM_DI}	DI load enabled (DiLoad = 1)	$0V \leq V_{DI} \leq 5V$	0	9	mA
			$9V \leq V_{DI}$	6	7.5	
LOGIC INPUTS (TXC, TXQ, TXEN, LO, \overline{CS}, SDI, SCLK)						
Logic-Input Voltage Low	V_{IL}		0.3 x V_L			V
Logic -Input Voltage High	V_{IH}			0.7 x V_L		V
Logic-Input Leakage Current	I_{LEAK}	Logic input = GND or V_L	-1		+1	μA
Logic-Input Capacitance	C_{IN}			5		pF
LOGIC OUTPUTS (RX, \overline{WU}, LI, UV, SDO, \overline{IRQ})						
Logic-Output Voltage Low	V_{OL}	$I_{OUT} = -5mA$			0.4	V
Logic-Output Voltage High	V_{OHRX} , V_{OHWU} , V_{OHLI} , V_{OHSDO} , V_{OHIRQ}	$I_{OUT} = 5mA$ (Note 3)	$V_L - 0.6$			V
SDO Leakage Current	I_{LK_SDO}	SDO disabled, SDO = GND or V_L	-1		+1	μA
THERMAL SHUTDOWN						
Thermal Warning Threshold		Die temperature rising, OTemp bit is set		+115		$^\circ C$
Thermal Warning Threshold Hysteresis		Die temperature falling, OTemp bit is cleared		20		$^\circ C$
Thermal Shutdown Threshold		Die temperature rising		+150		$^\circ C$
Thermal Shutdown Hysteresis				20		$^\circ C$

MAX14820

IO-Link Device Transceiver

AC ELECTRICAL CHARACTERISTICS

($V_{CC} = 18V$ to $36V$, $V_L = 2.3V$ to $5.5V$, $V_{GND} = 0V$; all logic inputs at V_L or GND ; $T_A = -40^{\circ}C$ to $+85^{\circ}C$, unless otherwise noted. Typical values are at $V_{CC} = 24V$, $V_L = 3.3V$, and $T_A = +25^{\circ}C$, unless otherwise noted.) (Note 2)

PARAMETER	SYMBOL	CONDITIONS	MIN	TYP	MAX	UNITS
C/Q, DO, DI INTERFACES						
Data Rate	DR	HiSlew = 1	4.8		230.4	kbps
		HiSlew = 0	4.8		38.4	
DRIVER (C/Q, DO)						
Driver Low-to-High Propagation Delay	t_{PDLH}	Push-pull or high-side (PNP) configuration, Figure 1	HiSlew = 1	0.5	2	μs
			HiSlew = 0	1.6	5	
Driver High-to-Low Propagation Delay	t_{PDHL}	Push-pull or low-side (NPN) configuration, Figure 1	HiSlew = 1	0.5	2	μs
			HiSlew = 0	1.6	5	
Driver Skew	t_{SKEW}	$ t_{PDLH} - t_{PDHL} $		0.1	2	μs
Driver Rise Time	t_{RISE}	Push-pull or high-side (PNP) configuration, Figure 1	HiSlew = 1	0.4	1	μs
			HiSlew = 0	1.5	4	
Driver Fall Time	t_{FALL}	Push-pull or low-side (NPN) configuration, Figure 1	HiSlew = 1	0.4	1	μs
			HiSlew = 0	1.4	4	
Driver Enable Time High	t_{ENH}	Push-pull or high-side (PNP) configuration, Figure 3	HiSlew = 1	0.3	1	μs
			HiSlew = 0	0.8	7	
Driver Enable Time Low	t_{ENL}	Push-pull or low-side (NPN) configuration, Figure 2	HiSlew = 1	0.3	1	μs
			HiSlew = 0	0.9	7	
Driver Disable Time High	t_{DISH}	Push-pull or high-side (PNP) configuration, Figure 2 (Note 4)	HiSlew = 1	1.6	3	μs
			HiSlew = 0	1.6	3	
Driver Disable Time Low	t_{DISL}	Push-pull or low-side (NPN) configuration, Figure 3 (Note 4)	HiSlew = 1	0.1	3	μs
			HiSlew = 0	0.1	3	
RECEIVER (C/Q, DI) (Figure 4)						
Receiver Low-to-High Propagation Delay	t_{PRLH}	RxFilter = 1		0.2	2	μs
		RxFilter = 0		0.4	2	
Receiver High-to-Low Propagation Delay	t_{PRHL}	RxFilter = 1		0.3	2	μs
		RxFilter = 0		0.5	2	
WAKE-UP DETECTION (Figure 5)						
Wake-Up Input Minimum Pulse Width	t_{WUMIN}		30	40	50	μs
Wake-Up Input Maximum Pulse Width	t_{WUMAX}		120	140	160	μs
WU Output Low Time	t_{WUL}	Valid wake-up condition on C/Q	120	190	260	μs

MAX14820

IO-Link Device Transceiver

AC ELECTRICAL CHARACTERISTICS (continued)

($V_{CC} = 18V$ to $36V$, $V_L = 2.3V$ to $5.5V$, $V_{GND} = 0V$; all logic inputs at V_L or GND ; $T_A = -40^{\circ}C$ to $+85^{\circ}C$, unless otherwise noted. Typical values are at $V_{CC} = 24V$, $V_L = 3.3V$, and $T_A = +25^{\circ}C$, unless otherwise noted.) (Note 2)

PARAMETER	SYMBOL	CONDITIONS	MIN	TYP	MAX	UNITS
SPI TIMING (\overline{CS}, SCLK, SDI, SDO) (Figure 6)						
SCLK Clock Period	t_{CH+CL}		83.3			ns
SCLK Pulse-Width High	t_{CH}		41.65			ns
SCLK Pulse-Width Low	t_{CL}		41.65			ns
\overline{CS} Fall to SCLK Rise Time	t_{CSS}		20			ns
SCLK Rise to \overline{CS} Rise Hold Time	t_{CSH}		20			ns
SDI Hold Time	t_{DH}		10			ns
SDI Setup Time	t_{DS}		10			ns
Output Data Propagation Delay	t_{DO}				32	ns
SDO Rise and Fall Times	t_{FT}				20	ns
Minimum \overline{CS} Pulse	t_{CSW}		76.8			ns

Note 2: All devices are 100% production tested at $T_A = +25^{\circ}C$. Limits over the operating temperature range are guaranteed by design.

Note 3: UV is an open-drain output. Connect UV to a voltage less than 5.5V through an external pullup resistor.

Note 4: Disable time measurements are load dependent.

IO-Link Device Transceiver

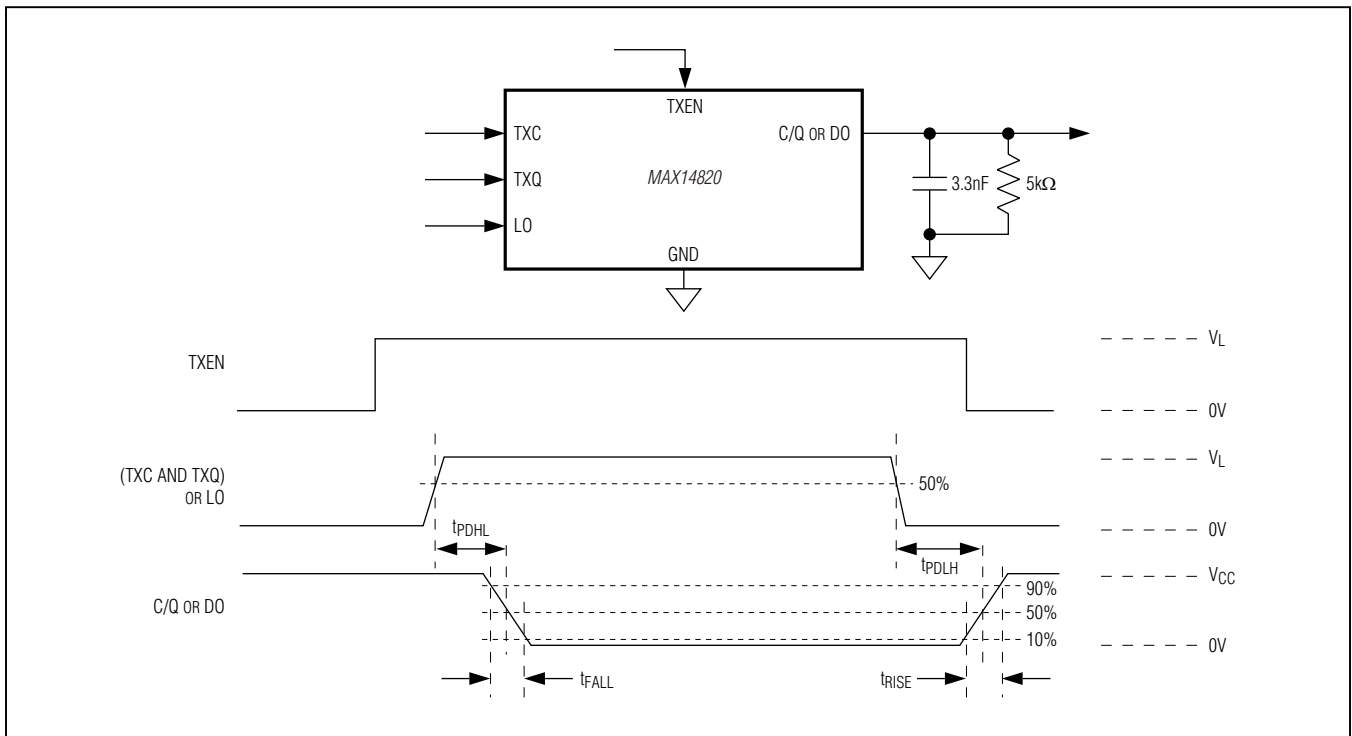


Figure 1. C/Q and LO Driver Propagation Delays and Rise/Fall Times

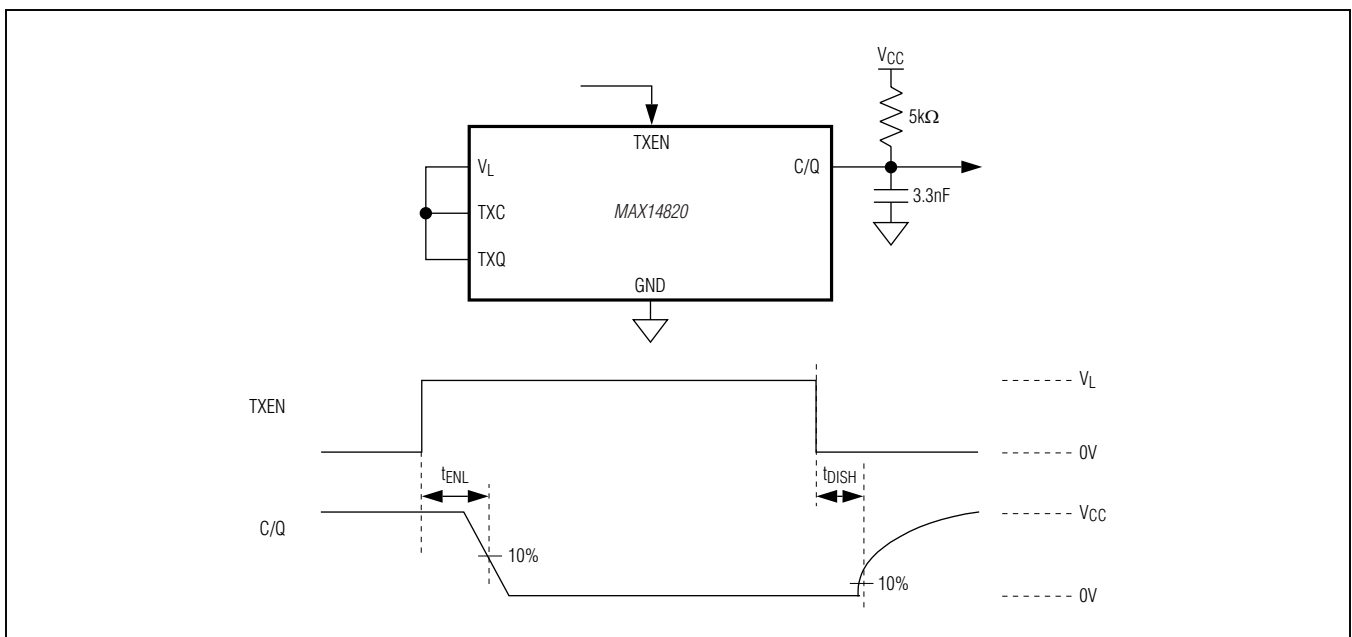


Figure 2. C/Q Driver Enable Low and Disable High Timing with External Pullup Resistor

IO-Link Device Transceiver

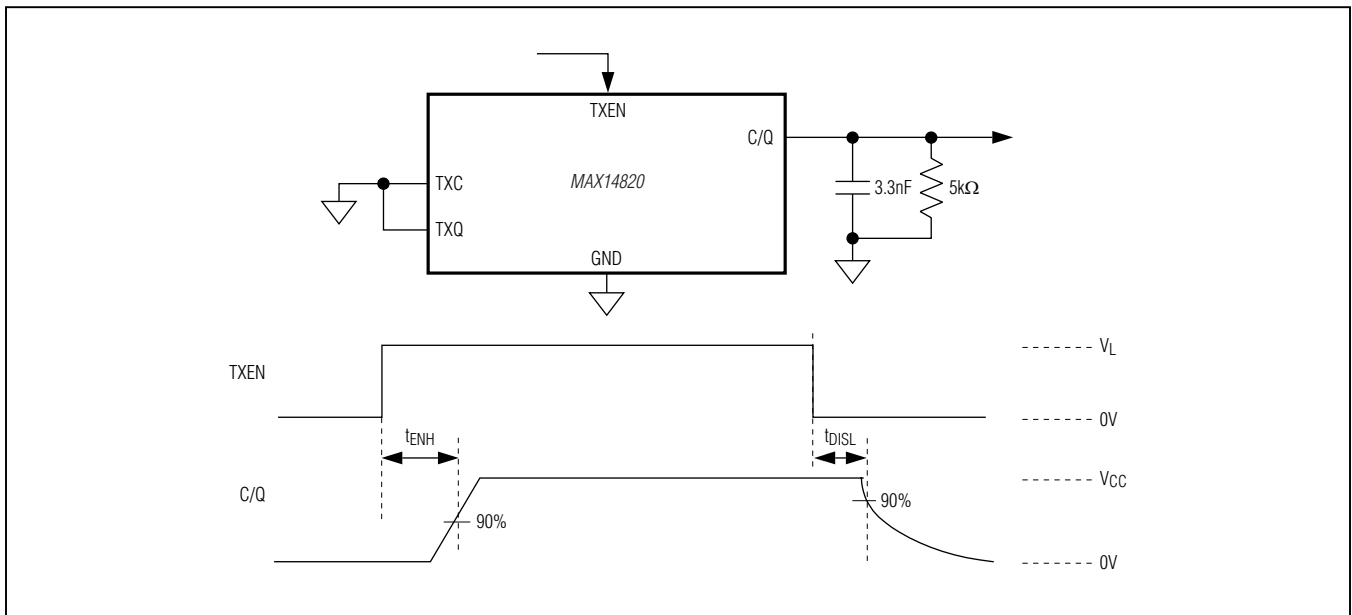


Figure 3. C/Q Driver Enable High and Disable Low Timing

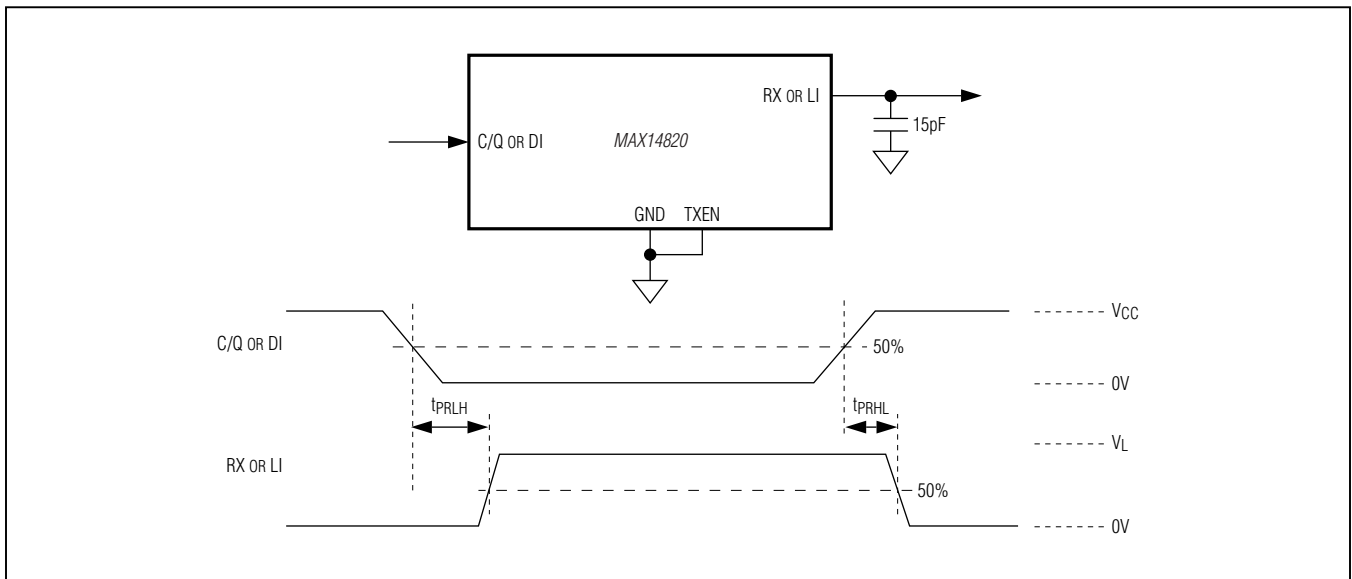


Figure 4. C/Q and DI Receiver Propagation Delays

IO-Link Device Transceiver

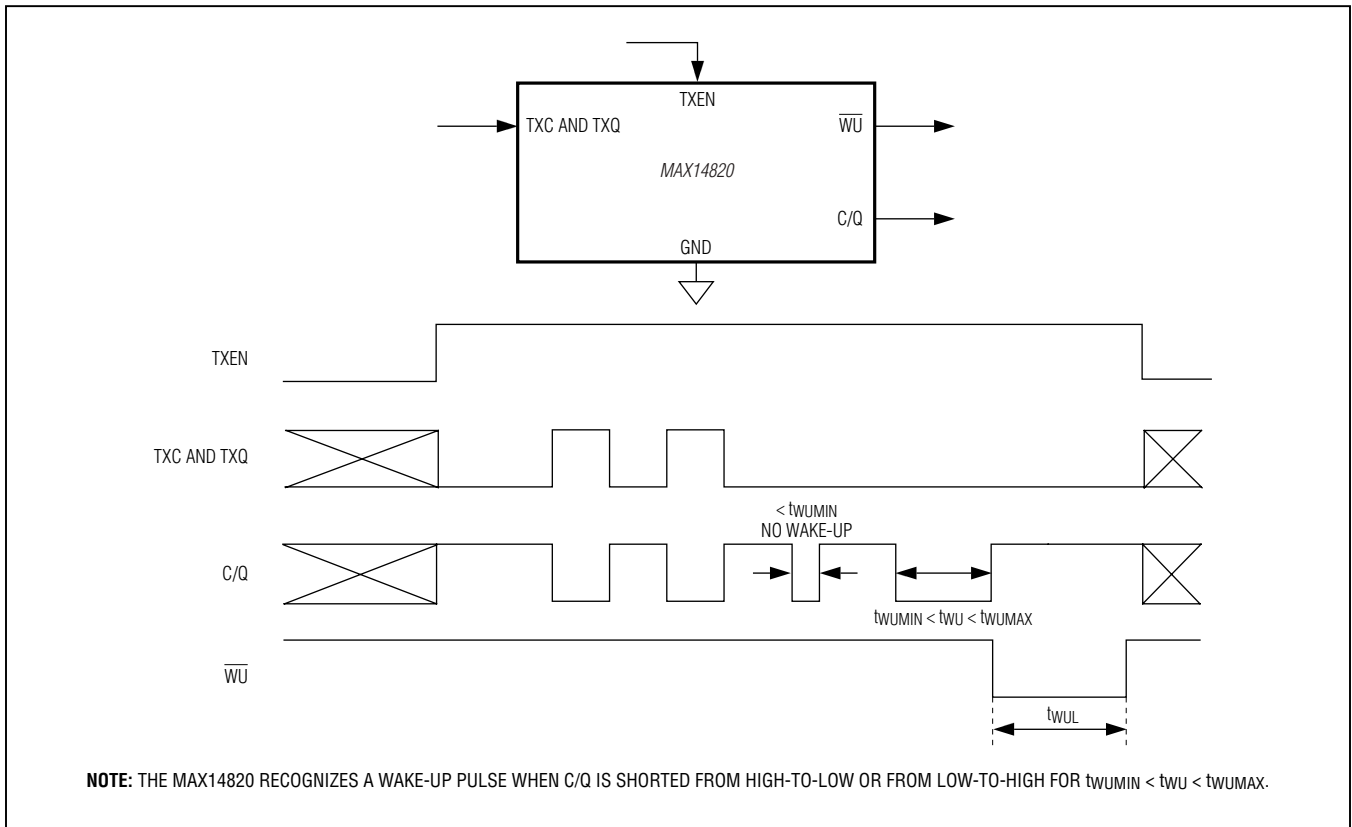


Figure 5. Wake-Up Detection Timing

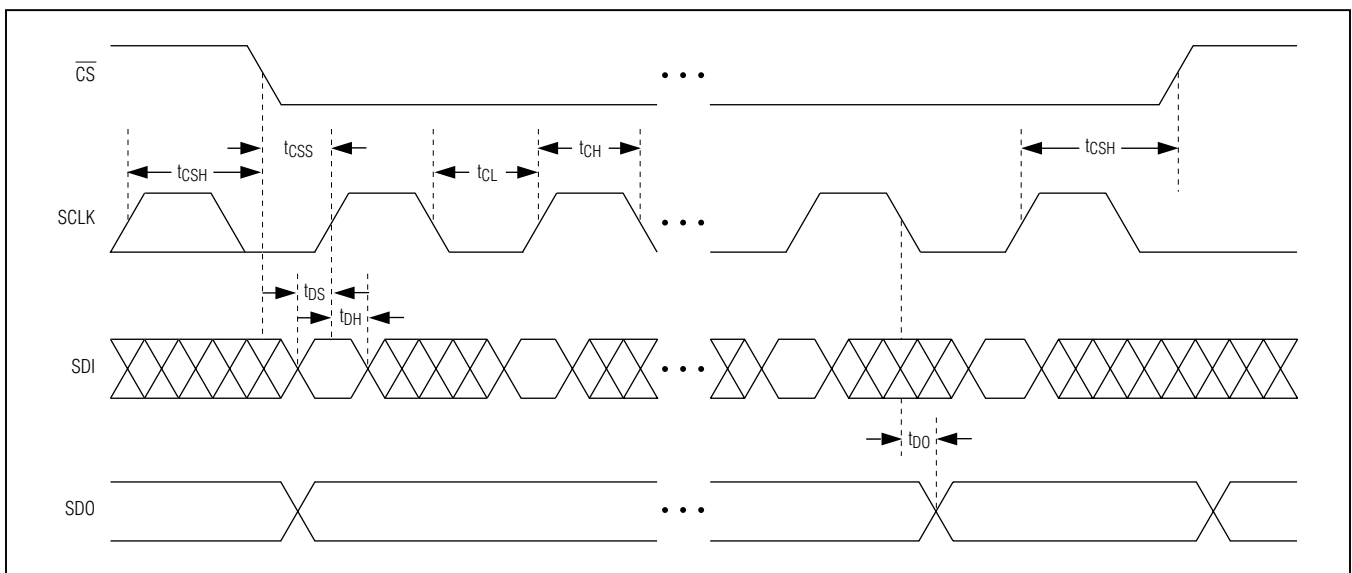
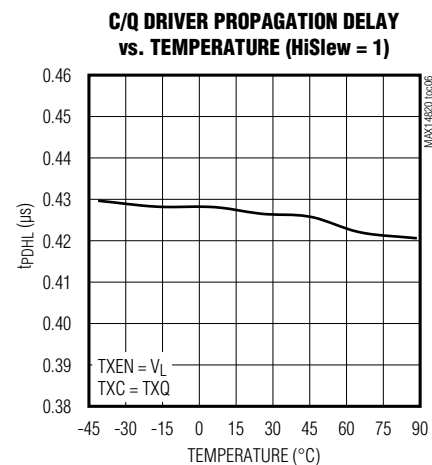
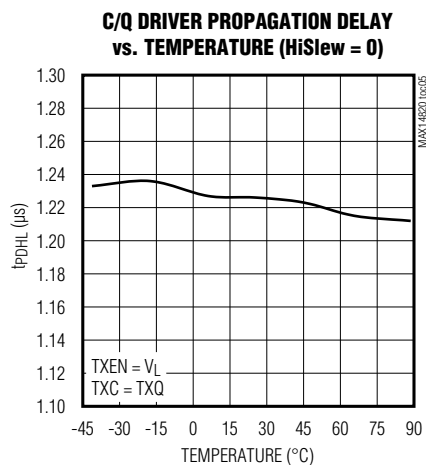
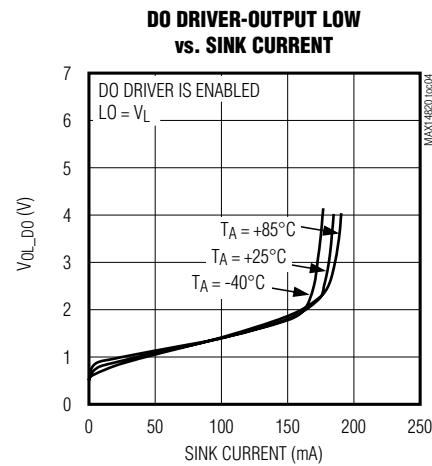
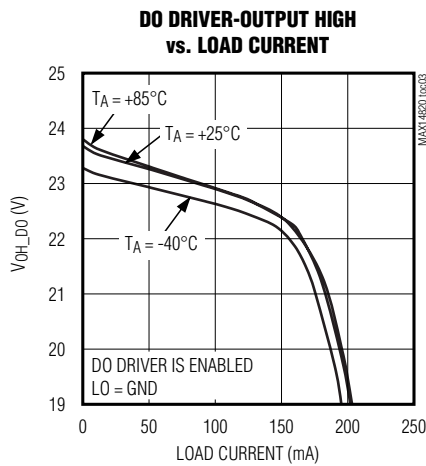
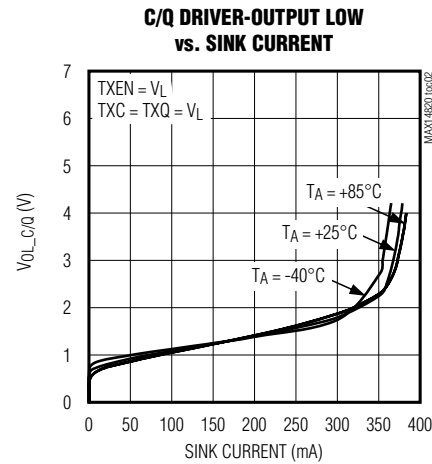
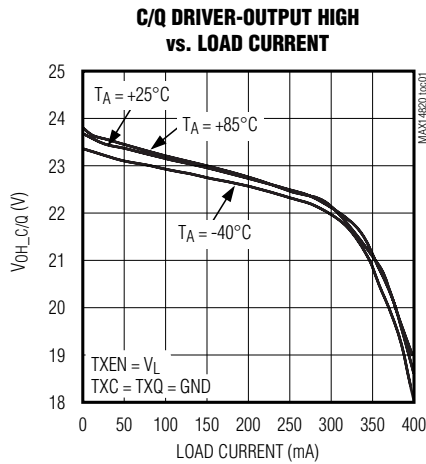


Figure 6. SPI Timing Diagram

IO-Link Device Transceiver

Typical Operating Characteristics

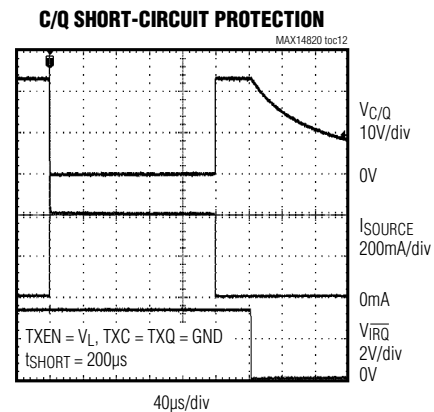
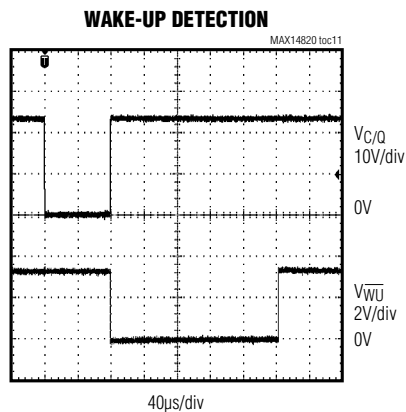
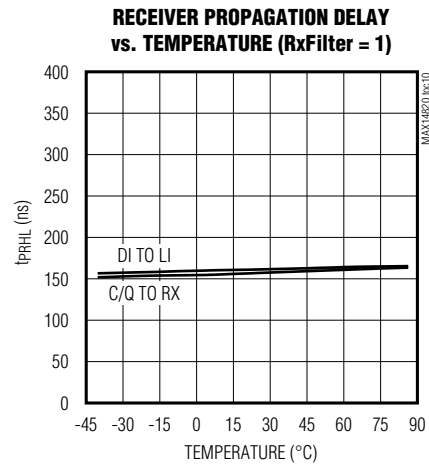
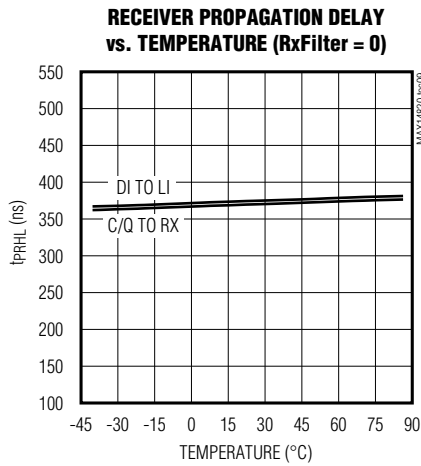
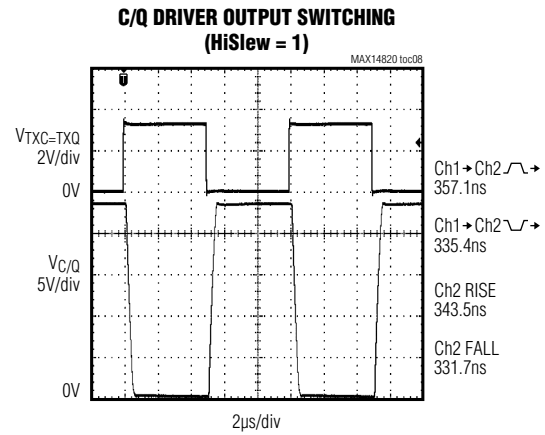
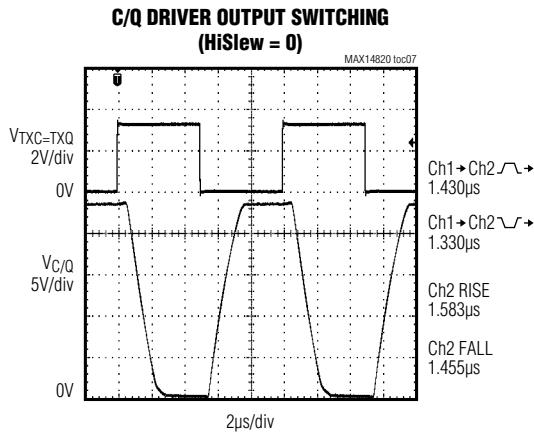
($V_{CC} = 24V$, $LDOIN = V_P$, $V_L = LDO33$, C/Q and DO in push-pull configuration, $T_A = +25^\circ C$, unless otherwise noted.)



IO-Link Device Transceiver

Typical Operating Characteristics (continued)

($V_{CC} = 24V$, $LDOIN = V_P$, $V_L = LDO33$, C/Q and DO in push-pull configuration, $T_A = +25^\circ C$, unless otherwise noted.)

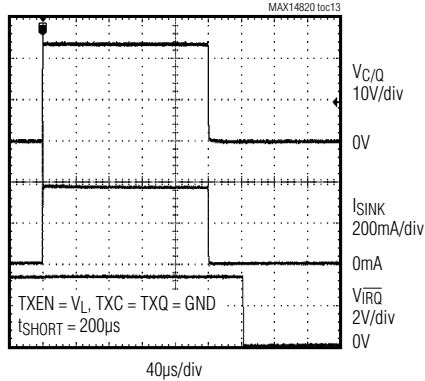


IO-Link Device Transceiver

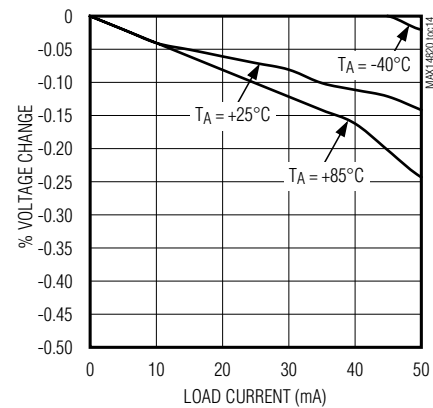
Typical Operating Characteristics (continued)

($V_{CC} = 24V$, $LDOIN = V_P$, $V_L = LDO33$, C/Q and DO in push-pull configuration, $T_A = +25^\circ C$, unless otherwise noted.)

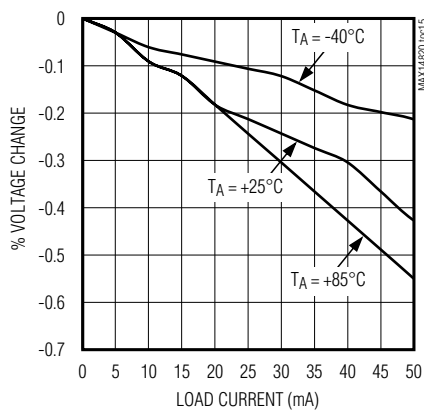
C/Q SHORT-CIRCUIT PROTECTION



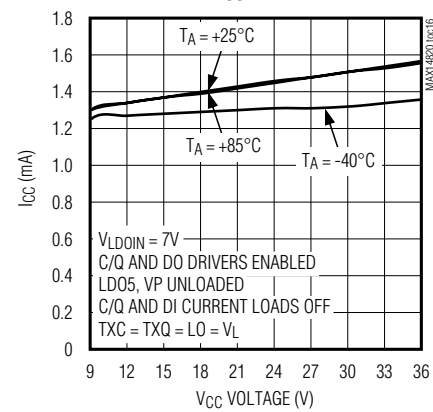
V_5 LOAD REGULATION



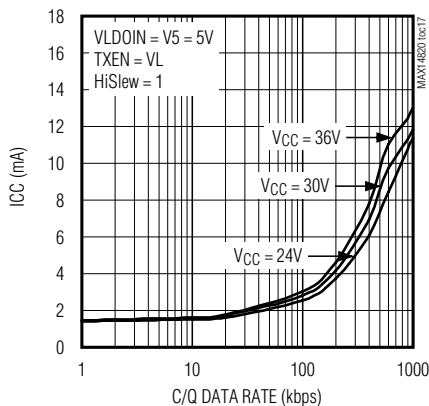
LDO33 LOAD REGULATION



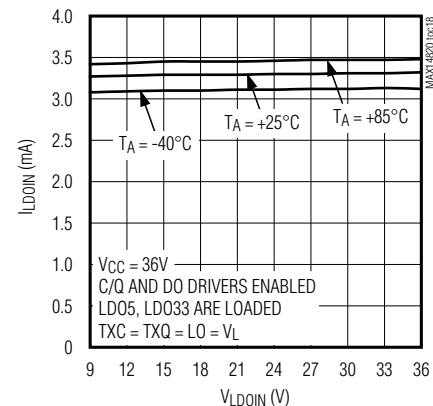
V_{CC} SUPPLY CURRENT vs. V_{CC} VOLTAGE



V_{CC} SUPPLY CURRENT vs. C/Q DATA RATE



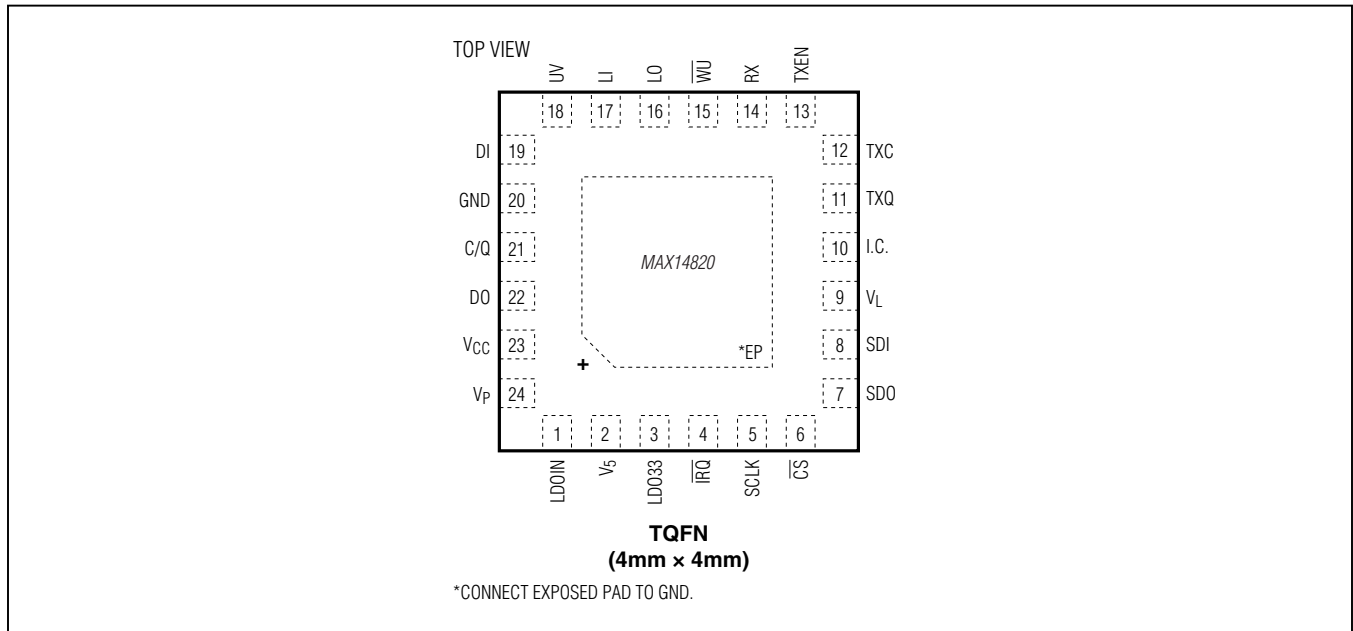
LDOIN SUPPLY CURRENT vs. LDOIN VOLTAGE



MAX14820

IO-Link Device Transceiver

Pin Configuration



Pin Description

PIN	NAME	FUNCTION
1	LDOIN	5V Linear Regulator Input. Bypass LDOIN to GND with a 0.1 μ F ceramic capacitor.
2	V ₅	5V Power-Supply Input and 5V Linear Regulator Output. Bypass V ₅ to GND with a 0.1 μ F ceramic capacitor for 10mA load capability. Add the recommended compensation network to increase the source capability to 30mA. See the <i>5V and 3.3V Linear Regulators</i> section for more information.
3	LDO33	3.3V Linear Regulator Output. Bypass LDO33 to GND with a 1 μ F ceramic capacitor.
4	$\overline{\text{IRQ}}$	Active-Low Interrupt Request Output. $\overline{\text{IRQ}}$ is a push-pull output referenced to V _L .
5	SCLK	SPI Clock Input
6	$\overline{\text{CS}}$	Active-Low SPI Chip-Select Input
7	SDO	SPI Serial-Data Output
8	SDI	SPI Serial-Data Input
9	V _L	Logic-Level Supply Input. V _L defines the logic levels on all the logic inputs and outputs. Bypass V _L to GND with a 0.1 μ F ceramic capacitor.
10	I.C.	Internally Connected. Connect to V _L or leave unconnected. It is recommended to connect to V _L .
11	TXQ	Transmit Level Input. The logic on the C/Q output is the inverse logic level of the signals on the TXC and TXQ inputs. TXQ is ANDed with TXC. Drive TXQ high if not in use.
12	TXC	Transmit Communication Input. The logic on the C/Q output is the inverse logic level of the signals on the TXC and TXQ inputs. TXC is ANDed with TXQ. Drive TXC high if not in use.
13	TXEN	Transmitter Enable. Drive TXEN high to enable the C/Q transmitter. TXEN is referenced to V _L .

MAX14820

IO-Link Device Transceiver

Pin Description (continued)

PIN	NAME	FUNCTION
14	RX	Receiver Output. RX is the inverse logic level of C/Q. RX is always high when the RxDis bit in the CQConfig register is set to 1.
15	\overline{WU}	Active-Low Wake-Up Output. \overline{WU} is a push-pull output referenced to V_L . \overline{WU} pulses low for 190 μ s (typ) when a valid wake-up pulse is detected on the C/Q line.
16	LO	Logic Input of the DO Output. LO is the logic input that drives DO. LO is referenced to V_L .
17	LI	Logic Output of the 24V DI Logic Input. LI is the inverse logic of DI. LI is referenced to V_L .
18	UV	Open-Drain Undervoltage Indicator Output. In case of an undervoltage, the UV open-drain transistor is off.
19	DI	24V Logic-Level Digital Input
20	GND	Ground
21	C/Q	SIO/IO-Link Data Input/Output. Drive TXEN high to enable the C/Q driver. The logic on the C/Q output is the inverse logic level of the signals on the TXC and TXQ inputs. RX is the logic inverse of C/Q. The C/Q driver output level can be set by the TXC/TXQ inputs or programmed by the Q bit. The level on C/Q can be read by the RX output or the \overline{QLvl} bit.
22	DO	24V Logic-Level Digital Output. DO is the inverse logic level of the LO input and can be digitally controlled through the DIOConfig register.
23	V_{CC}	Power-Supply Input. Bypass V_{CC} to GND with a 1 μ F ceramic capacitor.
24	V_P	Protected 24V Supply Output. V_P is one diode drop below V_{CC} . V_P is reverse-polarity protected and can be used as a 24V protected supply to the sensor or actuator electronics.
—	EP	Exposed Pad. Connect EP to GND.

IO-Link Device Transceiver

Detailed Description

The MAX14820 is a sensor/actuator transceiver designed for IO-Link[®] device applications supporting all the specified IO-Link data rates. In IO-Link applications, the devices act as the physical layer interface to a microcontroller running the data-link layer protocol. The device contains an additional 24V digital input and an additional 24V digital output. Two internal linear regulators generate common sensor and actuator power requirements: 5V and 3.3V.

The device detects IO-Link wake-up conditions on the C/Q line and generates a wake-up signal on the WU output. The C/Q and DO drivers are independently configurable to any one of three driver output types: push-pull, high-side (PNP), or low-side (NPN).

The C/Q and DI inputs have selectable current sinks that can be enabled for use in actuators where the master requires a Type 2 load. These devices are configured and monitored through an SPI[™] interface. Extensive alarms are available through SPI.

24V Interface

The device features an IO-transceiver interface capable of operating with voltages up to 36V. This is the 24V interface and includes the C/Q input/output, the logic-level digital output (DO), and the logic-level digital input (DI).

Configurable Drivers

The device features selectable push-pull, high-side (PNP), or low-side (NPN) switching drivers at C/Q and DO.

Set the C/Q_N/P and C/Q_PP bits in the CQConfig register to select the driver mode for the C/Q driver. When configured as a push-pull output, C/Q switches between V_P and ground. Set the C/Q_PP bit to 1 to select push-pull operation at C/Q. Set the C/Q_PP bit to 0 to configure the C/Q output for open-drain operation. The C/Q_N/P bit selects NPN or PNP operation when C/Q is configured as an open-drain output.

Set the DoN/P and DoPP bits in the DIOConfig register to select the driver mode for the DO output. When configured as a push-pull output, DO switches between V_{CC} and ground. Set the DoPP bit to 1 for push-pull operation. The DoN/P bit selects NPN or PNP operation when DO is configured as an open-drain output. Set the DoPP bit to 0 to select high-side or low-side operation at DO.

*IO-Link is a registered trademark of Profibus User Organization (PNO).
SPI is a trademark of Motorola, Inc.*

C/Q Driver and Receiver

The TXEN input enables the C/Q driver. Drive TXEN high to enable the C/Q driver. Drive TXEN low to disable the driver.

The device's C/Q driver is specified for 300mA to drive large capacitive loads of up to 1 μ F and dynamic impedances like incandescent lamps. The maximum load current for C/Q is limited to 480mA.

The HiSlew bit increases the slew rate of the C/Q and DO driver outputs. Set HiSlew to 1 for data rates of 230kbps or higher. Set HiSlew to 0 to reduce both the C/Q and DO driver slew rates to reduce EMI emission and reflections.

The C/Q receiver is always on. Disable the RX output through the RxDis bit in the CQConfig register. Set the RxDis bit to 1 to set the RX output high. Set the RxDis bit to 0 for normal receive operation.

The C/Q receiver has an analog lowpass filter to reduce high-frequency noise present on the line. Set the RxFilter bit in the CQConfig register to 0 to set the filter corner frequency to 500kHz (typ). Set the RxFilter bit to 1 to set the corner frequency of the filter to 1MHz (typ). Noise filters are present on both the C/Q and DI receivers and are controlled simultaneously by the RxFilter bit.

C/Q Fault Detection

The device registers a C/QFault condition under either of two conditions:

- 1) When it detects a short circuit for longer than 140 μ s (typ). A short condition exists when the C/Q driver's load current exceeds the 375mA (typ) current limit.
- 2) When it detects a voltage level error at the C/Q output. A voltage level error occurs when the C/Q driver is configured for open-drain operation (NPN or PNP), the driver is turned off, and the C/Q voltage is not pulled to exceed the C/Q receiver's threshold levels (< 8V or > 13V) by the external supply.

When a C/QFault error occurs, the C/QFault and C/QFaultInt bits are set, \overline{IRQ} asserts, and the driver is turned off 240 μ s (typ) after the start of the fault condition.

When a short-circuit event occurs on C/Q, the driver enters autoretry mode. In autoretry mode the device periodically checks whether the short is still present and attempts to correct the driver output. Autoretry attempts last for 240 μ s (typ) and occur every 26ms (typ).

IO-Link Device Transceiver

DO Fault Detection

The device registers a DoFault event when a short circuit is present at the DO output for 440 μ s. A short condition exists when the load current on the DO driver exceeds the 200mA (typ) DO current limit. When a short-circuit condition is detected, the DO driver enters autoretry mode. In autoretry mode the device periodically checks whether the error is still present. Autoretry attempts last for 440 μ s (typ) and occur every 26ms (typ). When a DoFault error is detected, the DoFault and DoFaultInt bits are set, $\overline{\text{IRQ}}$ asserts, and the driver is turned off 440 μ s (typ) after the start of the DO faults.

Reverse-Polarity Protection

The device is protected against reverse-polarity connections on V_{CC} , C/Q, DO, DI, and GND. Any combination of these pins can be connected to DC voltages up to 40V (max). A short to 40V results in a current flow of less than 500 μ A.

Ensure that the maximum voltage between any of these pins does not exceed 40V.

5V and 3.3V Linear Regulators

The device includes two internal regulators to generate 5V (V_5) and 3.3V (LDO33). LDO5 is specified for 10mA total external load current (i.e., LDO33 + V_5) when bypassed with a 0.1 μ F capacitor to ground. Add the compensation network shown in Figure 7 to draw up to 30mA of total external load current from the 5V LDO. LDO33 is specified at 20mA. The input of V_5 , LDOIN, can be powered from V_P , the protected 24V supply output, or to another voltage in the 7V to 36V range.

If the external circuits that are powered by the linear regulators require an input bypass capacitance larger than 100nF for 5V or 1 μ F for 3.3V, a compensation network must be added on V_5 and/or LDO33. The compensation network consists of a 10 Ω series resistor and a capaci-

tor equal to the value required by the external circuit, as shown in Figure 14. The capacitors C33* and C5* in Figure 14 represent the capacitance required by the external circuits. Figure 14 does not show any protection diodes for simplicity.

When the internal 5V LDO is not used, V_5 becomes the supply input for the internal analog and digital functions and thus has to be supplied externally so that the MAX14820 operates normally. The 5V LDO can be disabled by connecting LDOIN to V_5 . Apply an external voltage of 4.75V to 5.25V to V_5 when the LDO is disabled.

Use the LDO33Dis bit in the Mode register to disable LDO33. See the [Mode Register \[R1, R0\] = \[1, 1\]](#) section for more information. V_5 and LDO33 are not protected against short circuits.

Power-Up

The C/Q and DO driver outputs and the UV output are high impedance when V_{CC} , V_5 , V_L , and/or LDO33 voltages are below their respective undervoltage thresholds during power-up. UV goes low and the drivers are enabled when all these voltages exceed their respective undervoltage lockout thresholds.

The drivers are automatically disabled if V_{CC} , V_5 , or V_L falls below its threshold.

Undervoltage Detection

The device monitors V_{CC} , V_5 , V_L , and optionally LDO33 for undervoltage conditions. UV is high impedance when any monitored voltage falls below its UVLO threshold.

V_{CC} , V_5 , and V_L undervoltage detection cannot be disabled. When V_{CC} falls below the V_{CCUVLO} threshold, the UV24 and UV24Int bits are set, UV asserts high, and $\overline{\text{IRQ}}$ asserts low.

The SPI register contents are unchanged while V_5 is present, regardless of the state of V_{CC} and LDO33. The SPI interface is not accessible and $\overline{\text{IRQ}}$ is not available when UV is asserted due to a V_5 or V_L undervoltage event.

When the internal 3.3V LDO regulator voltage (V_{LDO33}) falls below the LDO33 undervoltage lockout threshold, the UV33Int bit in the Status register is set and $\overline{\text{IRQ}}$ asserts. UV asserts if the UV33En bit in the Mode register is set to 1.

The UV output deasserts once the undervoltage condition is removed; however, bits in the Status register and the $\overline{\text{IRQ}}$ output are not cleared until the Status register has been read.

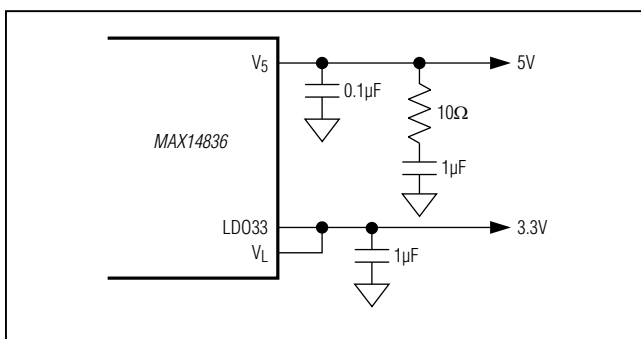


Figure 7. V_5 Compensation Network

IO-Link Device Transceiver

Wake-Up Detection

The device detects an IO-Link wake-up condition on the C/Q line in push-pull, high-side (PNP), or low-side (NPN) operation modes. A wake-up condition is detected when the C/Q output is shorted for 80µs (typ). \overline{WU} pulses low for 190µs (typ) when the device detects a wake-up pulse on C/Q (Figure 5).

Set the WulntEn bit in the Mode register to set the Wulnt bit in the Status register and generate an interrupt on \overline{IRQ} when a wake-up pulse is detected. Wulnt is set and \overline{IRQ} asserts immediately after C/Q is released when WulntEn = 1.

Thermal Protection and Considerations

The internal LDOs and drivers can generate more power than the package for the devices can safely dissipate. Ensure that the driver LDO loading is less than the package can dissipate. Total power dissipation for the device is calculated using the following equation:

$$P_{TOTAL} = P_{C/Q} + P_{DO} + P_5 + P_{LDO33} + P_Q + P_{CLCQ} + P_{CLDI}$$

where $P_{C/Q}$ is the power generated in the C/Q driver, P_{DO} is the power dissipated by the DO driver, P_5 and P_{LDO33} are the power generated by the LDOs, P_Q is the quiescent power generated by the devices, and P_{CLCQ} and P_{CLDI} are the power generated in the C/Q and DI current sinks.

Ensure that the total power dissipation is less than the limits listed in the [Absolute Maximum Ratings](#) section.

Use the following to calculate the power dissipation (in mW) due to the C/Q driver:

$$P_{C/Q} = [I_{C/Q(max)}] \times [0.5 + 7 \times I_{C/Q(max)}]$$

Calculate the internal power dissipation of the DO driver using the following equation:

$$P_{DO} = [I_{DO(max)}] \times [0.5 + 7 \times I_{DO(max)}]$$

Calculate the power dissipation in the 5V LDO, V_5 , using the following equation:

$$P_5 = (V_{LDOIN} - V_5) \times I_5$$

where I_5 includes the I_{LDO33} current sourced from LDO33.

Calculate the power dissipated in the 3.3V LDO, LDO33, using the following equation:

$$P_{LDO33} = 1.7V \times I_{LDO33}$$

Calculate the quiescent power dissipation in the device using the following equation:

$$P_Q = I_{CC(max)} \times V_{CC(max)}$$

If the current sinks are enabled, calculate their associated power dissipation as:

$$P_{CLCQ} = I_{LLM_C/Q(max)} \times V_{C/Q(max)}$$

$$P_{CLDI} = I_{LLM_DI(max)} \times V_{DI(max)}$$

Overtemperature Warning

Bits in the Status and Mode registers are set when the temperature of the device exceeds +115°C (typ). The OTempInt bit in the Status register is set and \overline{IRQ} asserts when the OTemp bit in the Mode register is set. Read the Status register to clear the OTempInt bit and \overline{IRQ} .

The OTemp bit is cleared when the die temperature falls to +95°C.

The device continues to operate normally unless the die temperature reaches the +150°C thermal shutdown threshold, when the device enters thermal shutdown.

Thermal Shutdown

All regulators and the C/Q and DO output drivers are automatically switched off when the internal die temperature exceeds the +150°C (typ) thermal shutdown threshold. SPI communication is not available during a thermal shutdown event.

Regulators are automatically switched on when the internal die temperature falls below the thermal shutdown threshold plus hysteresis. The internal registers return to their default state when the V_5 regulator is switched on.

IO-Link Device Transceiver

Register Functionality

The devices have four 8-bit-wide registers for configuration and monitoring ([Table 1](#)).

Table 1. Register Summary

REGISTER	R1	R0	D7	D6	D5	D4	D3	D2	D1	D0
Status	0	0	Wulnt	DoFaultInt	DiLvl	\overline{Q} Lvl	C/QFaultInt	UV33Int	UV24Int	OTemplnt
CQConfig	0	1	RxFilt	HiSlew	C/Q_N/P	C/Q_PP	C/QDn	Q	RxDIs	C/QLoad
DIOConfig	1	0	DoInv	DoAv	DoN/P	DoPP	DoEn	DoBit	LiDis	DiLoad
Mode	1	1	RST	WulntEn	DoFault	C/QFault	UV24	OTemp	UV33En	LDO33Dis

R1/R0 = Register address.

Status Register [R1, R0] = [0,0]

Bit	D7	D6	D5	D4	D3	D2	D1	D0
Bit Name	Wulnt	DoFaultInt	DiLvl	\overline{Q} Lvl	C/QFaultInt	UV33Int	UV24Int	OTemplnt
Read/Write	R	R	R	R	R	R	R	R
POR State	0	0	X	X	0	0	0	0
Reset Upon Read	Yes	Yes	No	No	Yes	Yes	Yes	Yes

X = Unknown. These bits are dependent on the DI logic and C/Q inputs.

The Status register reflects the logic levels of C/Q and DI and shows the source of interrupts that cause an \overline{IRQ} hardware interrupt. The \overline{IRQ} interrupt is asserted when an alarm condition (OTemp, UV33Int, UV24, C/QFault, DoFault, Wulnt) is detected. All bits in the Status register are read-only. The interrupt bits return to the default state after the Status register is read. If a C/Q or DO fault condition persists, the associated interrupt bits are immediately set after the Status register is read.

BIT	NAME	DESCRIPTION
D7	Wulnt	Wake-Up Interrupt Request. Wulnt is set when an IO-Link wake-up request pulse is detected on C/Q and the WulntEn bit in the Mode register is set. \overline{IRQ} asserts when Wulnt is set to 1. Read the Status register to clear the Wulnt bit and deassert \overline{IRQ} .
D6	DoFaultInt	DO Fault Interrupt. DoFaultInt interrupt bit and DoFault bit (in the Mode register) are set when a fault condition occurs on the DO driver output. The device registers a fault condition when a short circuit or voltage fault is detected on DO (see the <i>DO Fault Detection</i> section for more information). \overline{IRQ} asserts when DoFaultInt is 1. Read the Status register to clear the DoFaultInt bit and deassert \overline{IRQ} .
D5	DiLvl	DI Logic Level. The DiLvl bit mirrors the current logic level at the DI input. It is the inverse of the LI output and is always active regardless of the state of the LiDis bit (Table 2). DiLvl does not affect \overline{IRQ} . DiLvl is not changed when the Status register is read.

IO-Link Device Transceiver

BIT	NAME	DESCRIPTION
D4	\overline{QLvl}	C/Q Logic Level. The \overline{QLvl} bit is the inverse of the logic level at C/Q. \overline{QLvl} is 1 when the C/Q input level is low (< 8V) and is 0 when the C/Q logic level is high (> 13V) (Table 3). \overline{QLvl} remains active when the C/Q receiver is disabled (RxDis = 1). \overline{QLvl} does not affect \overline{IRQ} . \overline{QLvl} is not changed when the Status register is read.
D3	C/QFaultInt	C/Q Fault Interrupt. The C/QFaultInt interrupt bit and C/QFault bit (in the Mode register) are set when a short circuit or voltage fault occurs on the C/Q driver output (see the <i>C/Q Fault Detection</i> section for more information). \overline{IRQ} asserts when C/QFault is 1. Read the Status register to clear the C/QFaultInt bit and deassert \overline{IRQ} .
D2	UV33Int	Internal 3.3V LDO (LDO33) Undervoltage Warning. Both the UV33Int interrupt bit and the UV33En bit (in the Mode register) are set when V_{LDO33} falls below the 2.4V LDO33 undervoltage threshold. If UV33En is set in the Mode register, \overline{IRQ} asserts low when the UV33Int bit is 1. Read the Status register to clear the UV33Int bit and deassert \overline{IRQ} . Set the UV33En bit to 1 in the Mode register to enable undervoltage monitoring for UV33Int. When enabled, UV asserts high when the UV33Int bit is 1. UV deasserts when V_{LDO33} rises above the LDO33 undervoltage threshold.
D1	UV24Int	V_{CC} Undervoltage Interrupt. The UV24Int interrupt bit and the UV24 bit (in the Mode register) are set when the V_{CC} voltage falls below the 7.4V undervoltage threshold. \overline{IRQ} asserts low when the UV24Int bit is 1. Read the Status register to clear the UV24Int bit and deassert \overline{IRQ} . V_{CC} undervoltage detection cannot be disabled.
D0	OTempInt	Overtemperature Warning. The OTempInt interrupt bit and the OTemp bit (in the Mode register) are set when a high-temperature condition is detected by the devices. OTemp is set when the temperature of the die exceeds +115°C (typ). OTempInt is set and \overline{IRQ} asserts when the OTemp bit is 1. The OTempInt bit is cleared and \overline{IRQ} deasserts when the Status register is read. Once cleared, OTempInt is not reset if the die temperature remains above the thermal warning threshold and does not fall below +95°C.

Table 2. DiLvl and LI Output

V _{DI} (V)	DiLvl BIT	LI OUTPUT
< 5.2	0	High
> 8	1	Low

Table 3. \overline{QLvl} and RX Output

V _{C/Q} (V)	\overline{QLvl} BIT	RX OUTPUT
< 8	1	High
> 13	0	Low

IO-Link Device Transceiver

CQConfig Register [R1, R0] = [0,1]

Bit	D7	D6	D5	D4	D3	D2	D1	D0
Bit Name	RxFilter	HiSlew	C/Q_N/P	C/Q_PP	C/QDEn	Q	RxDis	C/QLoad
Read/Write	R/W	R/W	R/W	R/W	R/W	R/W	R/W	R/W
POR State	0	0	0	0	0	0	0	0

Use the CQConfig register to control the C/Q receiver and driver parameters. All bits in the CQConfig register are read-write and are set to 0 at power-up.

BIT	NAME	DESCRIPTION
D7	RxFilter	<p>C/Q and DI Receiver Filter Control. The C/Q and DI receivers have analog lowpass filters to reduce high-frequency noise on the receiver inputs. Set the RxFilter bit to 0 to set the filter corner frequency to 500kHz. Set the RxFilter bit to 1 to set the filter corner frequency to 1MHz (this setting is used for high-speed COM3 operation).</p> <p>Noise filters on C/Q and DI are controlled simultaneously by the RxFilter bit.</p>
D6	HiSlew	<p>Slew-Rate Control. The HiSlew bit increases the slew rate for the C/Q and DO drivers and is used for high-speed COM3 (230kbps) data rates. Set HiSlew to 0 for COM1 and COM2 operation.</p>
D5	C/Q_N/P	<p>C/Q Driver NPN/PNP Mode. The C/Q_N/P bit selects between low-side (NPN) and high-side (PNP) modes when the C/Q driver is configured as an open-drain output (C/Q_PP = 0). Set C/Q_N/P to 1 to configure the driver for low-side (NPN) operation. Set C/Q_N/P to 0 for high-side (PNP) operation.</p>
D4	C/Q_PP	<p>C/Q Driver Push-Pull Operation. Set C/Q_PP to 1 to enable push-pull operation on the C/Q driver. The C/Q output is open-drain when C/Q_PP is 0.</p>
D3	C/QDEn	<p>C/Q Driver Enable/Disable. Set the C/QDEn bit to 1 to enable the C/Q driver. Set C/QDEn to 0 for hardware (TXEN) control. See Table 4.</p>
D2	Q	<p>C/Q Driver Output Logic. The Q bit can be used to program the C/Q output driver through software. The C/Q driver must be enabled and TXC = TXQ must be high to control the C/Q driver through the Q bit (Figure 8). C/Q has the same logic polarity as the Q bit.</p> <p>Set the Q bit to 0 to control the C/Q driver with TXC and TXQ.</p> <p>The C/Q driver output state depends on the C/Q_PP and C/Q_N/P bits as shown in Table 5. Note that Table 5 assumes that the C/Q driver is enabled (TXEN = V_L or C/QDEn = 1).</p>
D1	RxDis	<p>C/Q Receiver Enable/Disable. Set the RxDis bit to 1 to disable the C/Q receiver. The RX output is high when RxDis is 1.</p>
D0	C/QLoad	<p>C/Q Current Sink Enable. Set the C/QLoad bit to 1 to enable the internal current sink at C/Q.</p>

IO-Link Device Transceiver

Table 4. C/QDn and TXEN C/Q Driver Control

C/QDn	TXEN	C/Q DRIVER
0	Low	Disabled
X	High	Enabled
1	X	Enabled

X = Don't care.

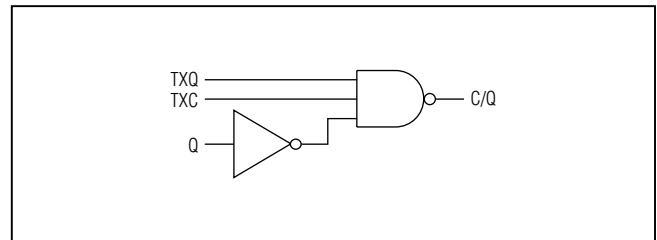


Figure 8. Equivalent C/Q Logic

Table 5. C/Q Driver Output State

TXC AND TXQ (SEE NOTE)	Q	C/Q_PP	C/Q_N/P	C/Q CONFIGURATION	C/Q STATE
High	1	0	0	PNP, open drain	On, C/Q is high
High	0	0	0	PNP, open drain	Off, C/Q is high impedance
High	1	0	1	NPN, open drain	Off, C/Q is high impedance
High	0	0	1	NPN, open drain	On, C/Q is low
High	1	1	X	Push-pull	High
High	0	1	X	Push-pull	Low

Note: TXC and TXQ = V_L .

X = Don't care.

IO-Link Device Transceiver

DIOConfig Register [R1, R0] = [1,0]

Bit	D7	D6	D5	D4	D3	D2	D1	D0
Bit Name	DoInv	DoAv	DoN/P	DoPP	DoEn	DoBit	LiDis	DiLoad
Read/Write	R/W	R/W	R/W	R/W	R/W	R/W	R/W	R/W
POR State	0	0	0	0	0	0	0	0

Use the DIOConfig register to control the DI and DO interfaces. All bits in the DIOConfig register are read-write and are set to 0 at power-up.

BIT	NAME	DESCRIPTION
D7	DoInv	DO Output Polarity. Set the DoInv bit to 1 to invert the logic of the DO output. This bit also works in conjunction with the DoAv (Table 6). DO tracks the TXC and TXQ inputs with the opposite polarity when both the DoAv and DoInv bits are set.
D6	DoAv	DO Antivalent Operation. Set the DoAv bit to 1 to enable antivalent output operation on DO. DO tracks the TXC and TXQ inputs (and the Q bit) when DoAv is 1 (Table 6). The LO input and the DoBit are ignored when the DoAv bit is 1.
D5	DoN/P	DO Driver NPN/PNP Operation. The DoN/P bit selects between low-side (NPN) and high-side (PNP) modes when the DO driver is configured as an open-drain output (DoPP = 0). Set DoN/P to 1 to configure the driver for low-side (NPN) operation. Set DoN/P to 0 for high-side (PNP) operation.
D4	DoPP	DO Driver Push-Pull Operation. Set the DoPP bit to 1 to configure the DO driver output for push-pull operation. DO is an open-drain output when DoPP is 0.
D3	DoEn	DO Driver Enable/Disable. Set the DoEn bit to 1 to enable the DO driver. The DO driver is high impedance with a weak pulldown when DoEn is 0.
D2	DoBit	DO Driver Output Logic. The DoBit bit can be used to program the DO output driver through software. Drive LO high to activate DoBit programming (Figure 9). The DO output state is given in Table 7. Note that Table 7 assumes that the DoInv bit is 0.
D1	LiDis	LI Output Enable/Disable. Set the LiDis bit to 1 to disable the LI output. The LI output is low when LiDis is 1.
D0	DiLoad	DI Current Sink Enable. Set the DiLoad bit to 1 to enable the internal current sink at the DI input.

MAX14820

IO-Link Device Transceiver

Table 6. DoAv and DoInv Operation

DoAv	DoInv	TXC AND TXQ (NOTE 1)	LO (NOTE 1)	DO (NOTE 2)	C/Q (NOTE 2)
0	0	Low	Low	High	High
0	0	Low	High	Low	High
0	0	High	Low	High	Low
0	0	High	High	Low	Low
0	1	Low	Low	Low	High
0	1	Low	High	High	High
0	1	High	Low	Low	Low
0	1	High	High	High	Low
1	0	Low	Low	Low	High
1	0	Low	High	Low	High
1	0	High	Low	High	Low
1	0	High	High	High	Low
1	1	Low	Low	High	High
1	1	Low	High	High	High
1	1	High	Low	Low	Low
1	1	High	High	Low	Low

Note 1: Low is when V_{TXC} , V_{TXQ} , OR $V_{LO} = 0V$; high is when V_{TXC} , V_{TXQ} , or $V_{LO} = V_L$.

Note 2: Low is when C/Q or $DO < 8V$; high is when C/Q or $DO > 13V$.

Table 7. DO Output Programmed by DoBit

LO	DoBit	DoPP	DoN/P	DO CONFIGURATION	DO STATE
High	0	1	X	Push-pull	Low
High	1	1	X	Push-pull	High
High	0	0	0	PNP	Off, DO is high impedance
High	1	0	0	PNP	On, DO is high
High	0	0	1	NPN	On, DO is low
High	1	0	1	NPN	Off, DO is high impedance
Low	X	X	X	See Table 6	See Table 6

X = Don't care.

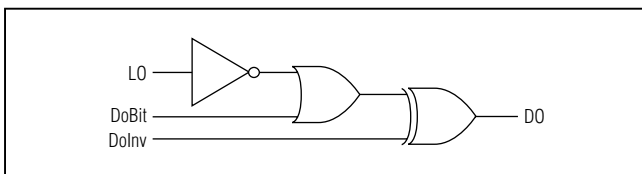


Figure 9. Equivalent DO Logic

MAX14820

IO-Link Device Transceiver

Mode Register [R1, R0] = [1,1]

Bit	D7	D6	D5	D4	D3	D2	D1	D0
Bit Name	RST	WulntEn	DoFault	C/QFault	UV24	OTemp	UV33En	LDO33Dis
Read/Write	R/W	R/W	R	R	R	R	R	R/W
POR State	0	0	0	0	0	0	0	0

Use the Mode register to reset the MAX14820 and manage the 3.3V LDO. The Mode register has bits that represent the current status of fault conditions. When writing to the Mode register, the contents of the fault indication bits (bits 2 to 5) do not change.

BIT	NAME	DESCRIPTION
D7	RST	<p>Register Reset. Set RST to 1 to reset all registers to their default power-up state. Then set RST to 0 for normal operation.</p> <p>The Status register is cleared and $\overline{\text{IRQ}}$ deasserts (if asserted) when RST = 1. Interrupts are not generated while RST = 1.</p>
D6	WulntEn	<p>Wake-Up Interrupt Enable. Set WulntEn to 1 to enable wake-up interrupt generation. When WulntEn is set, the Wulnt bit in the Status register is set and $\overline{\text{IRQ}}$ asserts when a valid wake-up condition is detected. The C/Q driver must be enabled for wake-up detection. The state of WulntEn does not affect the $\overline{\text{WU}}$ output. See the <i>Wake-Up Detection</i> section for more information.</p>
D5	DoFault	<p>DO Fault Status. The DoFault bit is set when a short circuit or voltage fault occurs at the DO driver output (see the <i>DO Fault Detection</i> section for more information). The DoFault and DoFaultInt bits are both set when a fault occurs on DO. DoFault is cleared when the fault is removed.</p>
D4	C/QFault	<p>C/Q Fault Status. The C/QFault bit is set when a short circuit or voltage fault occurs at the C/Q driver output (see the <i>C/Q Fault Detection</i> section for more information). The C/QFault and C/QFaultInt bits are both set when a fault occurs on C/Q. C/QFault is cleared when the fault is removed.</p>
D3	UV24	<p>V_{CC} Undervoltage Condition. Both the UV24 and the UV24Int bits are set when V_{CC} falls below V_{CCUVLO}. UV24 is cleared when V_{CC} rises above the V_{CC} threshold. V₅ must be present for V_{CC} undervoltage monitoring.</p>
D2	OTemp	<p>Temperature Warning. The OTemp bit is set when a high-temperature condition occurs on the devices. Both the OTempInt interrupt in the Status register and the OTemp bit are set when the junction temperature of the die rises to above +115°C (typ). The OTemp bit is cleared when the junction temperature falls below +95°C (typ).</p>
D1	UV33En	<p>LDO33 UV Enable. Set the UV33En bit to 1 to assert the UV output when LDO33 voltage falls below the 2.4V (typ) undervoltage lockout threshold. The UV33En bit does not affect the UV33Int bit in the Status register; $\overline{\text{IRQ}}$ asserts when V_{LDO33} falls below V_{LDO33UVLO} regardless of the state of UV33En.</p>
D0	LDO33Dis	<p>LDO33 Enable/Disable. Set LDO33Dis to 1 to disable the 3.3V linear regulator (LDO33).</p>

IO-Link Device Transceiver

SPI Interface

The device communicates through an SPI-compatible 4-wire serial interface. The interface has three inputs—clock (SCLK), chip select (\overline{CS}), and data in (SDI)—and one output, data out (SDO). The maximum SPI clock rate

for the device is 12MHz. The SPI interface complies with clock polarity CPOL = 0 and clock phase CPHA = 0 (see [Figure 10](#) and [Figure 11](#)).

The SPI interface is not available when V_5 or V_L are not present.

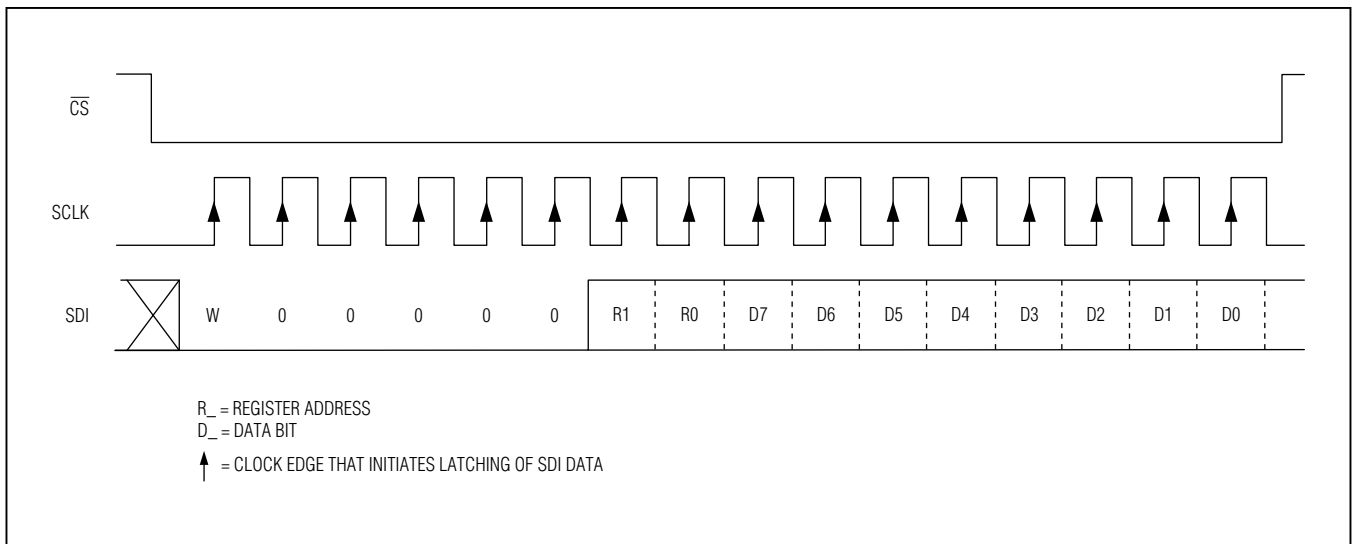


Figure 10. SPI Write Cycle

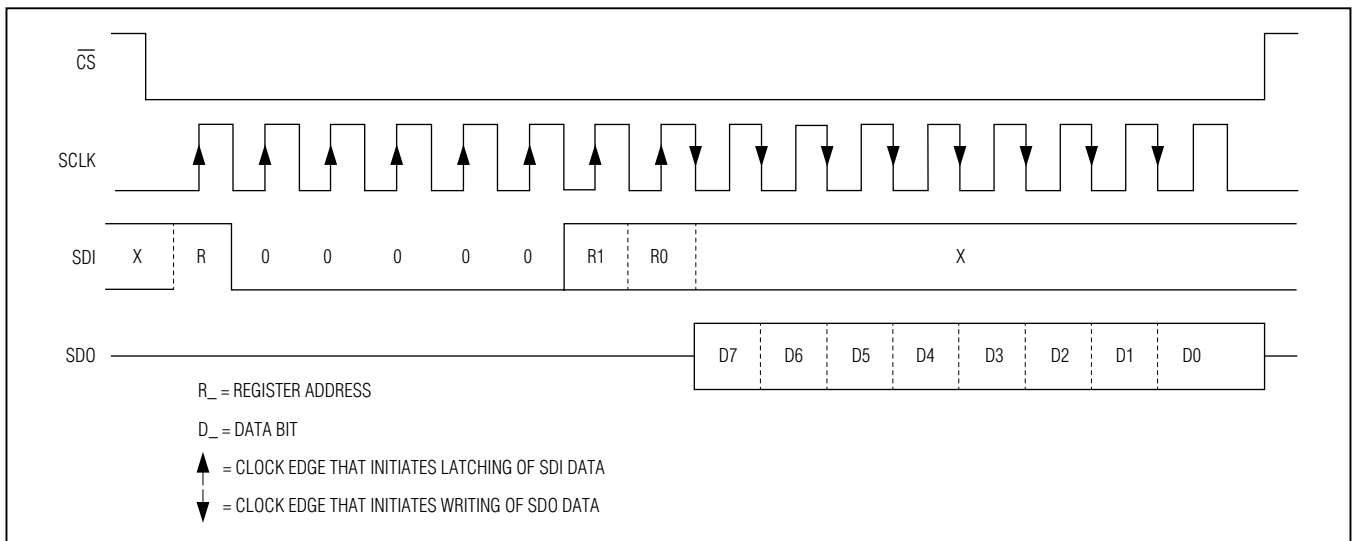


Figure 11. SPI Read Cycle

IO-Link Device Transceiver

Applications Information

UART Interfacing

The logic levels of the microcontroller interface I/Os (TXC, TXQ, TXEN, and RX) are defined by V_L .

The device can be interfaced to microcontrollers where the on-board UART TX output cannot be programmed as a logic output (GPO). In this case, connect the TX output of the UART to the TXC input for IO-Link communication and connect a separate GPO output on the microcontroller to TXQ for standard IO (SIO) mode operation (Figure 12). As the TXQ and TXC inputs are internally logically ANDed, the unused input (TXC or TXQ) must be held high while the other is in operation.

Transient Protection

Inductive load switching, surges, and bursts create high transient voltages. C/Q, DO, and DI should be protected against high overvoltage and undervoltage transients. Positive voltage transients on C/Q, DO, and DI must be limited to +55V relative to GND and negative voltage transients must be limited to -55V (relative to V_{CC}) on DO and C/Q and to -55V (relative to GND) on DI. Figure 12 shows suitable protection using TVS diodes to meet both the IEC 61000-4-2 ESD and IEC 61000-4-5 surge testing. Other protection schemes may also be suitable.

The device has to be protected against transients that occur during hot-plugging of the L+ sensor supply (V_{CC} input). This is achieved by placing a 10Ω resistor with $1\mu\text{F}$ capacitor before LDOIN and connecting an RC between the sensor supply input and the V_{CC} pin, as shown in Figure 13. The RC time constant of the filter on V_{CC} should be larger or equal to $0.8\mu\text{s}$. In case that V_L is supplied by V5 and the bypass capacitor on V5 is 100nF , the 10Ω resistor in series with LDOIN is not needed.

External Powering

The MAX14820 is powered by V_{CC} and V_5 . V_L is a reference voltage input to set the logic levels of the microcontroller interface. The logic and SPI interface are operational when V_5 and V_L are present even if V_{CC} is not present.

The V_p output provides a reverse-polarity-protected voltage one diode drop below V_{CC} and can be used for supplying external circuitry, like power supplies. The current drawn from V_p cannot exceed 50mA . Be aware that capacitance on V_p can cause transient currents at power-up equal to $C \times dV_{CC}/$

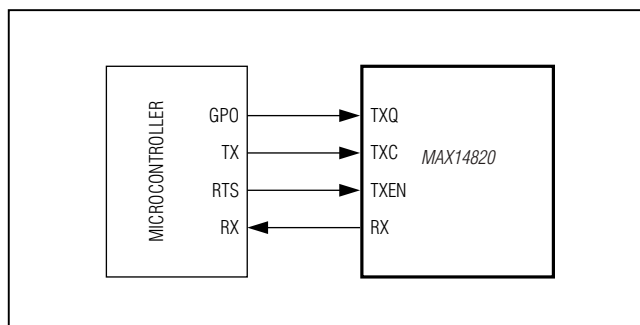


Figure 12. UART Interface

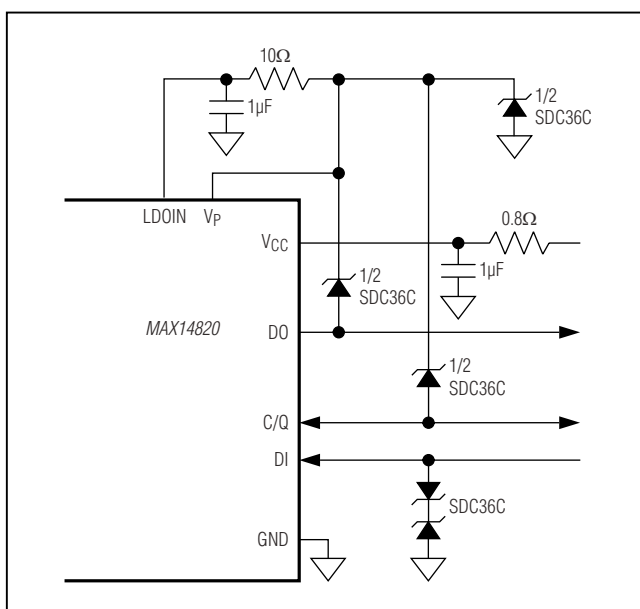


Figure 13. MAX14820 Operating Circuit with TVS Protection

dt. In order to reduce power dissipated in the device, an reverse protection diode can be used to power the external circuitry, instead of using V_p , as shown in Figure 15.

V_5 is typically powered by the internal 5V regulator, but can alternatively be powered by an external 5V regulator. When powering V_5 externally, connect LDOIN to V_5 . (Figure 15). This configuration disables operation of the internal 5V regulator and reduces power consumption. When an external 5V regulator is used to power V_5 , the V_5 bypass capacitance is determined by that regulator, and is not limited to 100nF .

MAX14820

IO-Link Device Transceiver

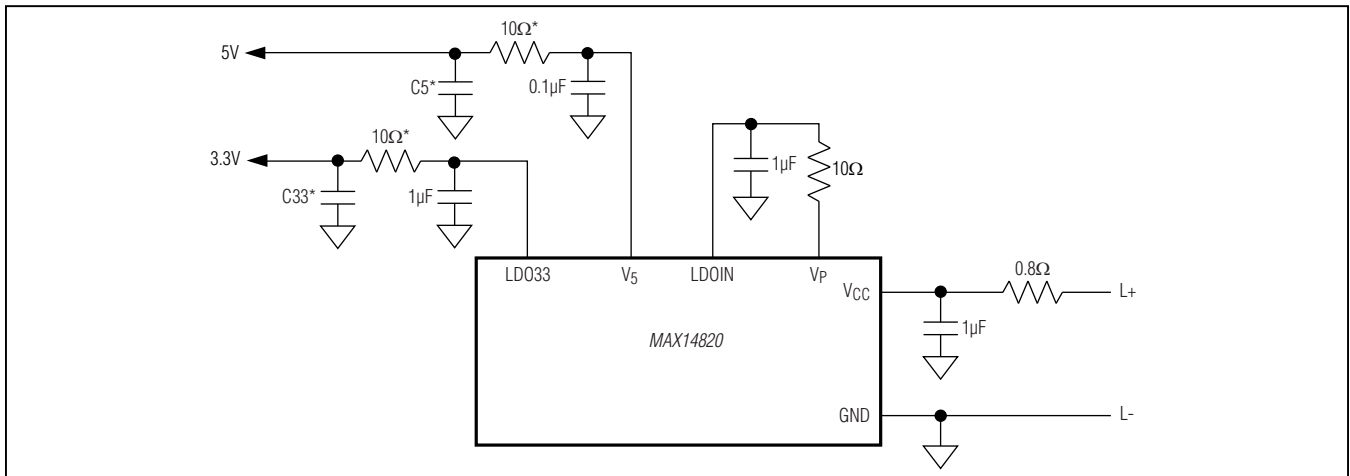


Figure 14. Larger Bypass Capacitance for Powering External Circuits

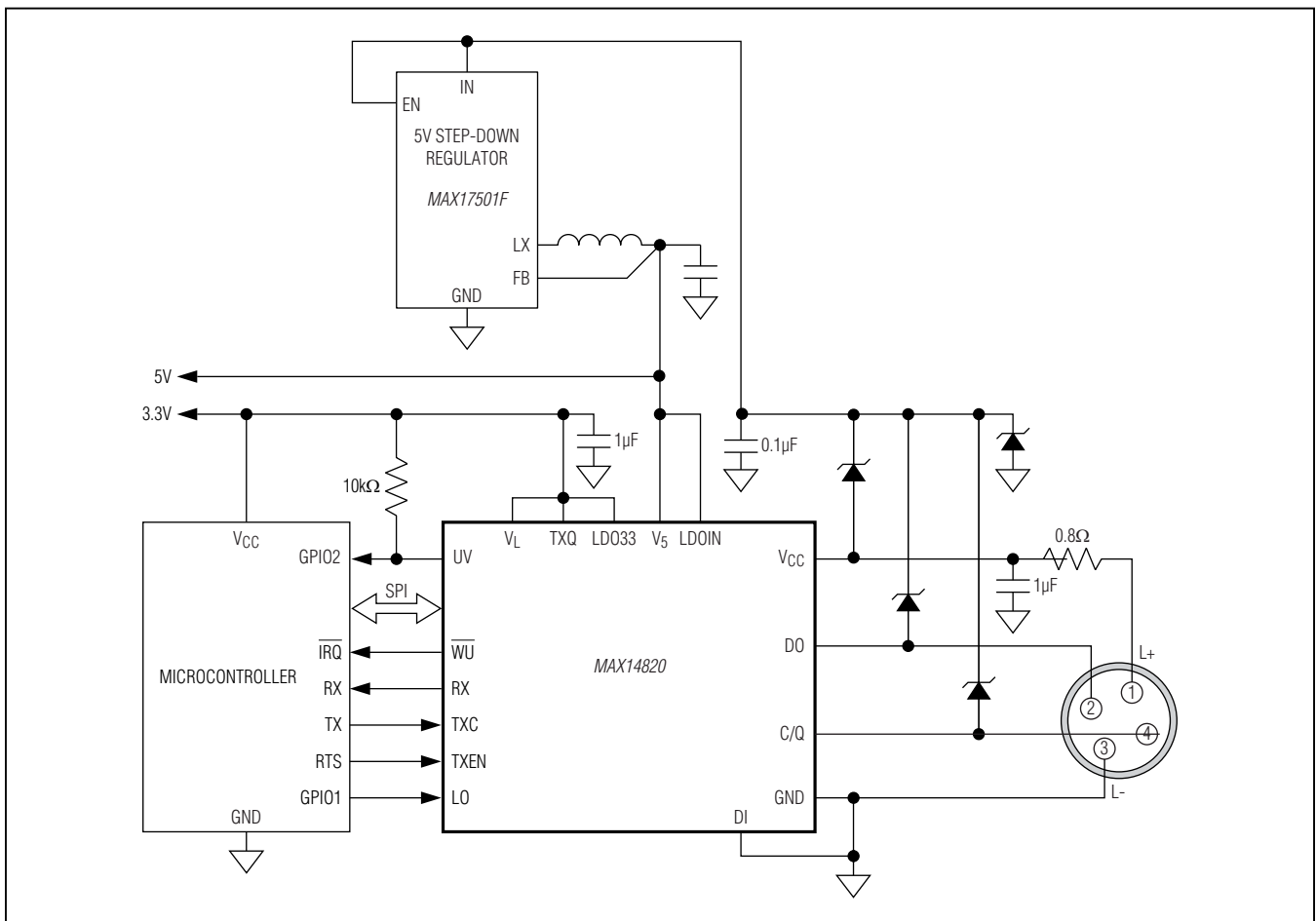


Figure 15. Using an Optional External Supply to Power the MAX14820

MAX14820

IO-Link Device Transceiver

Ordering Information

PART	TEMP RANGE	PIN-PACKAGE
MAX14820ETG+	-40°C to +85°C	24 TQFN-EP*

+Denotes a lead(Pb)-free/RoHS-compliant package.

*EP = Exposed pad.

Chip Information

PROCESS: BiCMOS

Package Information

For the latest package outline information and land patterns (footprints), go to www.maximintegrated.com/packages. Note that a "+", "#", or "-" in the package code indicates RoHS status only. Package drawings may show a different suffix character, but the drawing pertains to the package regardless of RoHS status.

PACKAGE TYPE	PACKAGE CODE	OUTLINE NO.	LAND PATTERN NO.
24 TQFN-EP	T2444+4	21-0139	90-0022

MAX14820

IO-Link Device Transceiver

Revision History

REVISION NUMBER	REVISION DATE	DESCRIPTION	PAGES CHANGED
0	3/11	Initial release	—
1	4/11	Corrected DO current level, corrected formatting and typos, added test condition to 2 <i>Typical Operating Characteristics</i> graphs, and added information to <i>Pin Description</i>	1, 11, 13, 14, 15, 18, 23, 25, 27
2	6/11	Changed DI input threshold high and DI input threshold low max ratings, changed VDI specifications in Table 2, changed <i>Pin Description</i> for I.C. pin	1, 4, 13, 17, 20
3	8/11	Corrected C/Q and DO minimum and maximum ratings in the <i>Absolute Maximum Ratings</i> section, corrected ICC maximum value and shuffled row parameters in the <i>Electrical Characteristics</i> table, replaced Figures 10 and 11, added Maxim part number for DC-DC regulator	3, 26
4	1/12	Corrected <i>Typical Operating Circuit</i> , IEC number, <i>Short-Circuit Timing Diagram</i> , added new TOC 17, and updated Figure 11	1, 13, 26, 27, 28
5	7/12	Updated formula in the <i>Thermal Protection and Considerations</i> section, updated <i>Optional External Powering</i> section, and updated Figure 14	18, 27, 28
6	3/14	Corrected autoretry timing Corrected Trademark Added application information and application circuit for use of larger LDO bypass capacitors Improved SPI description in figures Added need for RC network to LDOIN for hot plug protection	1, 16-17, 26-28



Maxim Integrated cannot assume responsibility for use of any circuitry other than circuitry entirely embodied in a Maxim Integrated product. No circuit patent licenses are implied. Maxim Integrated reserves the right to change the circuitry and specifications without notice at any time. The parametric values (min and max limits) shown in the *Electrical Characteristics* table are guaranteed. Other parametric values quoted in this data sheet are provided for guidance.

Данный компонент на территории Российской Федерации

Вы можете приобрести в компании MosChip.

Для оперативного оформления запроса Вам необходимо перейти по данной ссылке:

<http://moschip.ru/get-element>

Вы можете разместить у нас заказ для любого Вашего проекта, будь то серийное производство или разработка единичного прибора.

В нашем ассортименте представлены ведущие мировые производители активных и пассивных электронных компонентов.

Нашей специализацией является поставка электронной компонентной базы двойного назначения, продукции таких производителей как XILINX, Intel (ex.ALTERA), Vicor, Microchip, Texas Instruments, Analog Devices, Mini-Circuits, Amphenol, Glenair.

Сотрудничество с глобальными дистрибьюторами электронных компонентов, предоставляет возможность заказывать и получать с международных складов практически любой перечень компонентов в оптимальные для Вас сроки.

На всех этапах разработки и производства наши партнеры могут получить квалифицированную поддержку опытных инженеров.

Система менеджмента качества компании отвечает требованиям в соответствии с ГОСТ Р ИСО 9001, ГОСТ РВ 0015-002 и ЭС РД 009

Офис по работе с юридическими лицами:

105318, г.Москва, ул.Щербаковская д.3, офис 1107, 1118, ДЦ «Щербаковский»

Телефон: +7 495 668-12-70 (многоканальный)

Факс: +7 495 668-12-70 (доб.304)

E-mail: info@moschip.ru

Skype отдела продаж:

moschip.ru

moschip.ru_4

moschip.ru_6

moschip.ru_9